

esi.®



Victory™ LX 2-leg

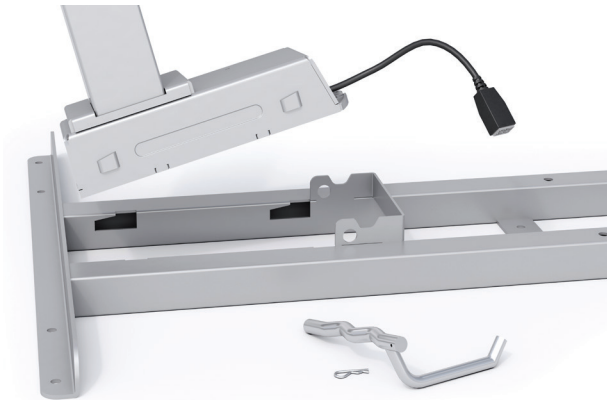
Electric height adjustable table base



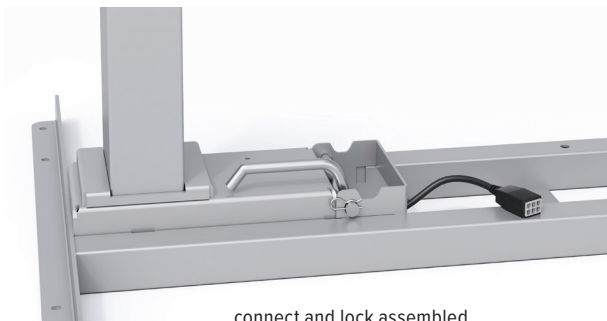
VictoryLX 2-leg

Electric height adjustable table

esi®



connect and lock pre-assembly



connect and lock assembled



digital keypad



drawers easily slide over feet



locking casters

Product specs

- Electric height adjustment
- 250 lb. base lifting capacity
- 1.4"/sec adjustment speed
- 26.0" height adjustment range
 - 21.5"–47.5" (low/high)
(excluding worksurface)
- Three stage adjustable legs
- C-leg
- Frame and column connect and lock for quick and easy assembly
- Adjustable width frame accommodates worksurfaces 36.0"–72.0"
- Soft start and stop
- Gyro sensor anti-collision
- Locking casters available
- Two motors
- ADA compliant
- 8'9" power cord
- Table base is UL962 listed
- Meets or exceeds BIFMA x5.5, GI and CSA CAN/CGSB44.227
- Works with peds or storage with 18.5" max. height
- Low standby power consumption
- Steel frame and foot construction
- Digital keypad with three memory settings
- Keypad can slide under worksurface to store out of the way
- Complete tables available (*base and top*)
- Warranty: 15 yr. (*structural*)/7 yr. (*mechanical*)

Available base finishes

- Silver -SLV
- Black -BLK
- White -WHT

Caster Kit

- Set of four casters for table base
- Increases height by 2.0"
- Locking casters for security

MODEL # CASTERKIT-LX-2LEG

VictoryLX 2-leg

Electric height adjustable table



Complete quick ship table model # breakdown

2VT_ -R4824-QS-T_ _
| | | | | | | | | |
a b c d e f g h i

- a: number of legs
- b: type of table base
- c: finish of base
- d: worksurface shape
- e: worksurface width
- f: worksurface depth
- g: quick ship indicator
- h: laminate material
- i: laminate color

48.0" x 24.0" quick ship complete table

- VictoryLX 2-leg table base with a 48.0"w x 24.0"d rectangle TFL worksurface

MODEL # 2VT_ -R4824-QS-T_ _

60.0" x 30.0" quick ship complete table

- VictoryLX 2-leg table base with a 60.0"w x 30.0"d rectangle TFL worksurface

MODEL # 2VT_ -R6030-QS-T_ _

■ base finish notation

■ laminate color notation

Available base finishes

Silver -S

Black -B

White -W

Available TFL quick ship laminates

Beigewood - BG

Phantom Charcoal -PC

Shadow Oak -SO

Designer White -DW

Grey -GR

Dove Grey -DV

VictoryLX 2-leg table

Quick ship complete table options include: silver, black, or white table bases; 48.0"w x 24.0"d or 60.0"w x 30.0"d rectangle worksurfaces; all six TFL laminates. Quick ship worksurfaces will be pre-drilled to accommodate the VictoryLX 2-leg table base. For all other combinations, please call our Customer Service Department for the estimated lead time and cost.

Multiple worksurface shapes and laminates are available. See Complete Table and Worksurface Guide for worksurface details including laminate colors.

VictoryLX 2-leg

Electric height adjustable table



Table bases		Available worksurfaces				
Table base model	Worksurface shape	Worksurface dimension	TFL standard		HPL standard	HPL premium
			Quick ship	Standard ship	Standard ship	Standard ship
2VT-LX-C36-24-____	Rectangle	36"w x 24"d	–	2R3624-TFL-__	2R3624-HPL-__	2R3624-PHPL-__
		42"w x 24"d	–	2R4224-TFL-__	2R4224-HPL-__	2R4224-PHPL-__
		48"w x 24"d	2R4824-QS-TFL-__	2R4824-TFL-__	2R4824-HPL-__	2R4824-PHPL-__
2VT-LX-C48-24-____	Rectangle	60"w x 24"d	–	2R6024-TFL-__	2R6024-HPL-__	2R6024-PHPL-__
		72"w x 24"d	–	2R7224-TFL-__	2R7224-HPL-__	2R7224-PHPL-__
2VT-LX-C36-30-____	Rectangle	36"w x 30"d	–	2R3630-TFL-__	2R3630-HPL-__	2R3630-PHPL-__
		42"w x 30"d	–	2R4230-TFL-__	2R4230-HPL-__	2R4230-PHPL-__
		48"w x 30"d	–	2R4830-TFL-__	2R4830-HPL-__	2R4830-PHPL-__
2VT-LX-C48-30-____	Rectangle	60"w x 30"d	2R6030-QS-TFL-__	2R6030-TFL-__	2R6030-HPL-__	2R6030-PHPL-__
		72"w x 30"d	–	2R7230-TFL-__	2R7230-HPL-__	2R7230-PHPL-__

Worksurface Program

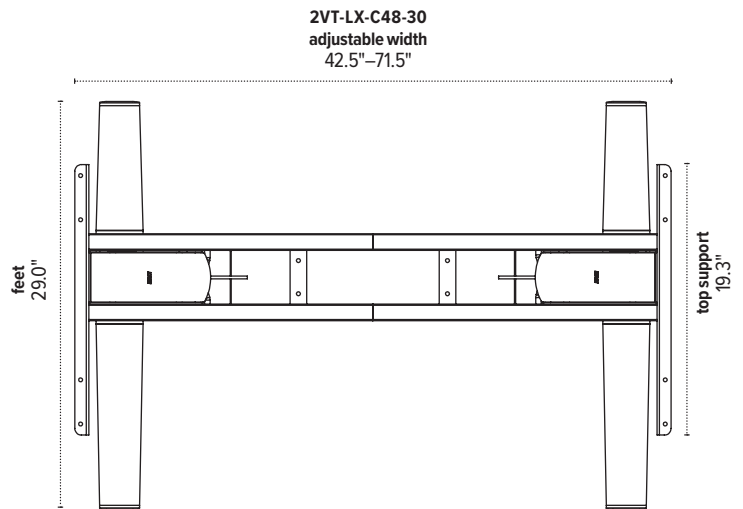
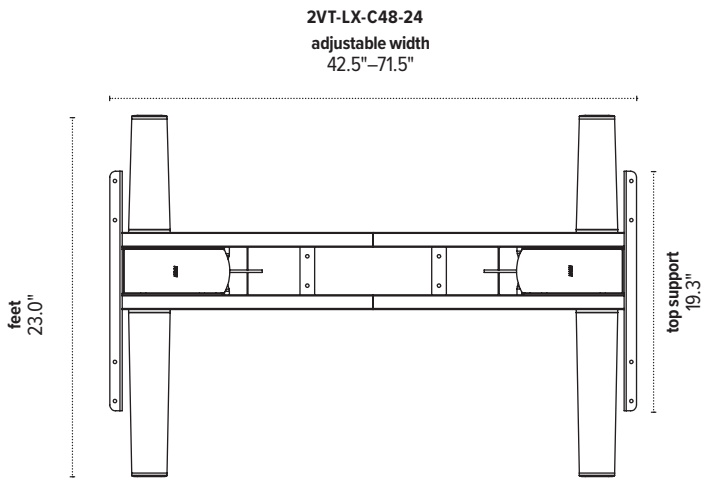
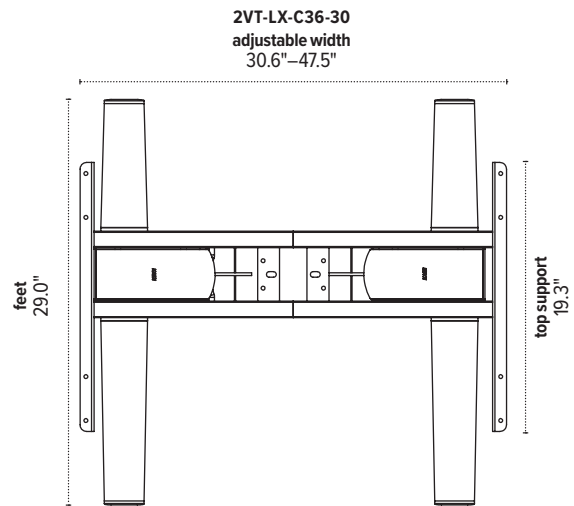
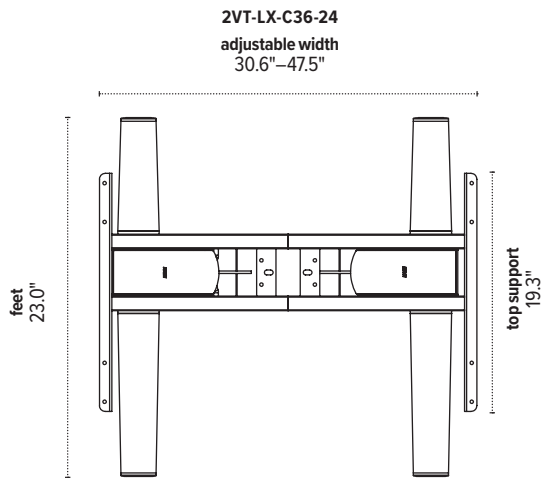
Multiple worksurface shapes and laminates are available. See the Complete Table & Worksurface Ordering Guide for worksurface details including pricing and laminate colors. TFL quick ship worksurfaces are shipped out in 48 hours, TFL standard and HPL standard/premium worksurfaces ship within three weeks. Lead time may vary depending on quantities ordered and their availability

Table bases and worksurfaces can be purchased independently or as a combination.

ESI worksurfaces are made to exact dimensions. If nominal sizing is needed, please specify when ordering.

VictoryLX 2-leg

Electric height adjustable table



The base dimensions as shown are actual.