

# Sena™

## Single monitor arm



### Product specs

---

- Finger touch dynamic height adjustment
- Recommended for worksurfaces 36" deep or less
- 12.68" height adjustment range  
- 7.01"-19.69" (low-high)
- 24.37" arm extension
- 2.89" arm retraction
- +75° / -35° monitor tilt
- +/-90° VESA rotation
- 2.2lb. - 19.8lb weight capacity
- VESA 75mm/100mm quick release
- 180° lock-out feature
- 360° / 180° arm rotation with 180° lock-out
- Desk clamp and grommet mount included
- Meets or exceeds BIFMA x5.5 and CSA CAN/CGSB44.227 guidelines
- Warranty: 15 yr

### Model #

---

- SENA-SLV
- SENA-BLK
- SENA-WHT

### Available mounting options

---

- DC - Desk clamp
- GM - Grommet mount



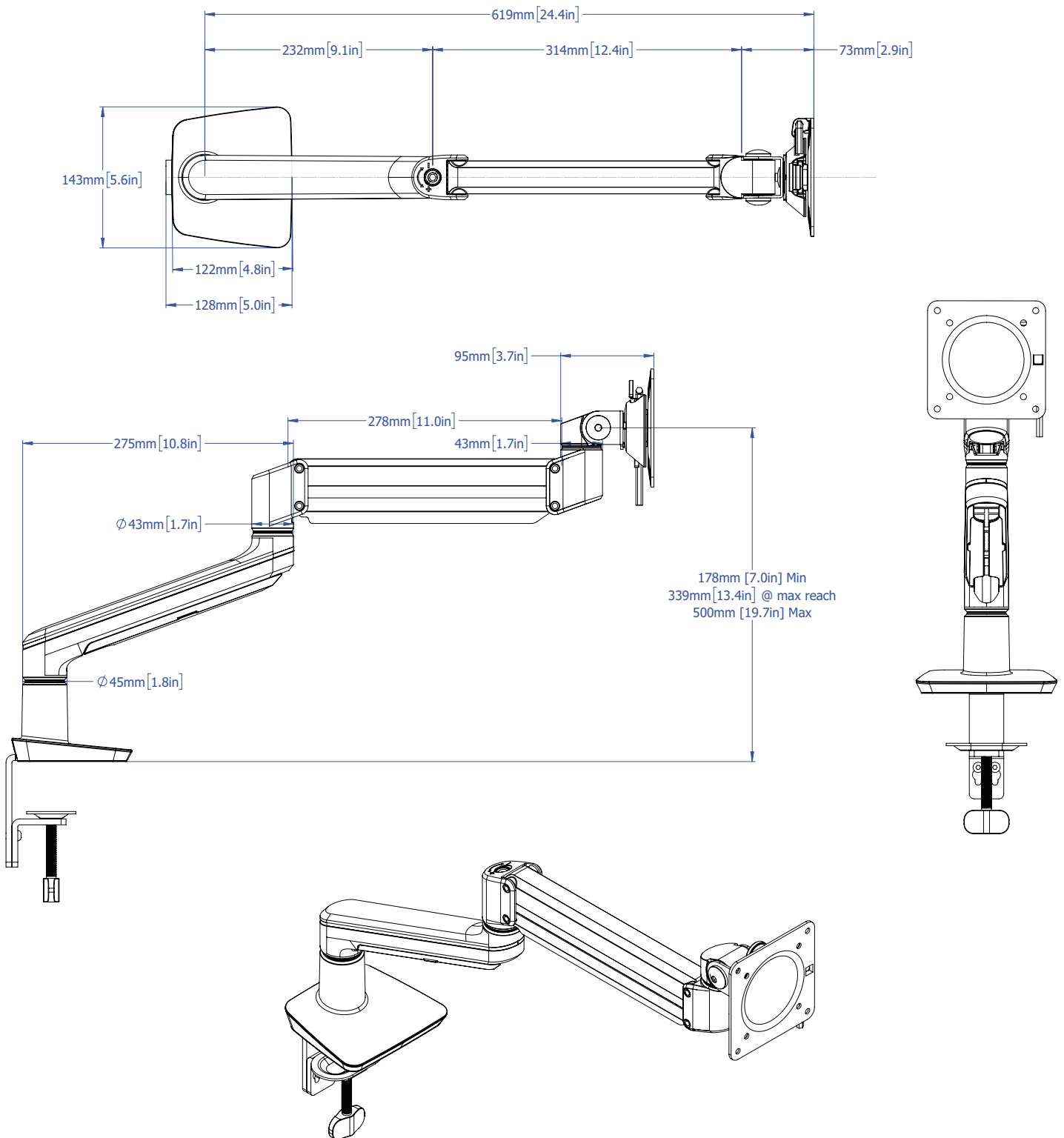
grommet mount



desk clamp

# Sena™

## Single monitor arm



# Sena™ EX1-F

Single fixed monitor arm



## Product specs

- Manual Height Adjustment
- Recommended for worksurfaces 30" deep or less
- 12.93" arm extension
- 2.89" arm retraction
- +75° / -35° monitor tilt
- +/-90° VESA rotation
- 2.2lb. - 19.8lb weight capacity (per arm)
- 16" pole height (includes base)
- VESA 75mm/100mm quick release
- 180° lock-out feature
- 360° rotation at three points
- Desk clamp and grommet mount included
- Meets or exceeds BIFMA x5.5 and CSA CAN/CGSB44.227 guidelines
- Warranty: 15 yr

## Model #

- SENAEX1-F-SLV
- SENAEX1-F-BLK
- SENAEX1-F-WHT



grommet mount



desk clamp

## SenaEX monitor arm key

- F - Fixed monitor arm
- M - Motion monitor arm
- S - Slider mount

## Available mounting options

- DC - Desk clamp
- GM - Grommet mount

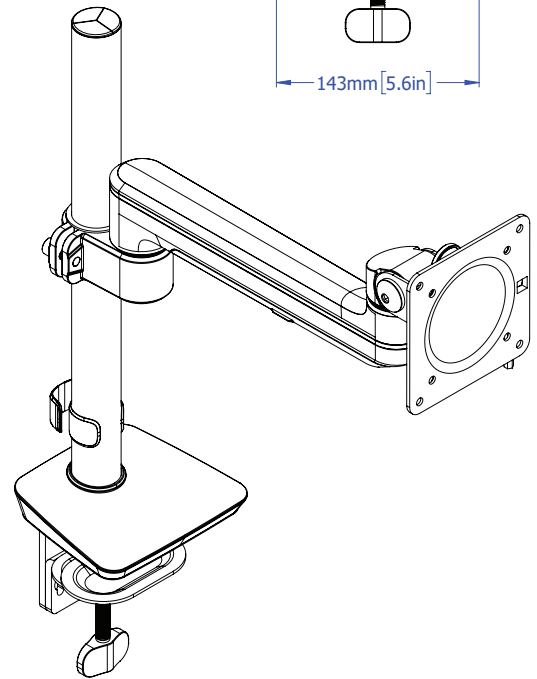
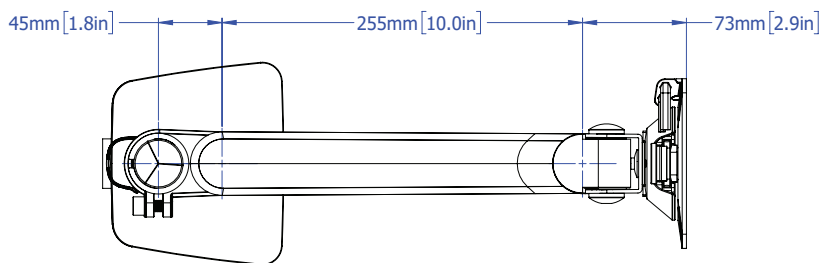
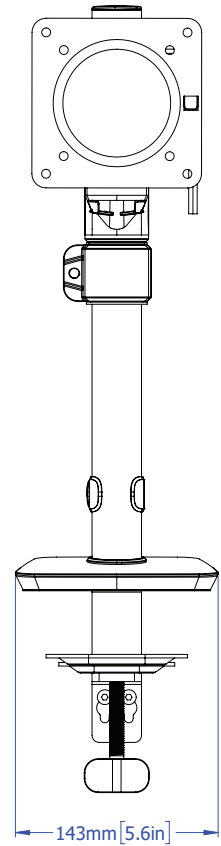
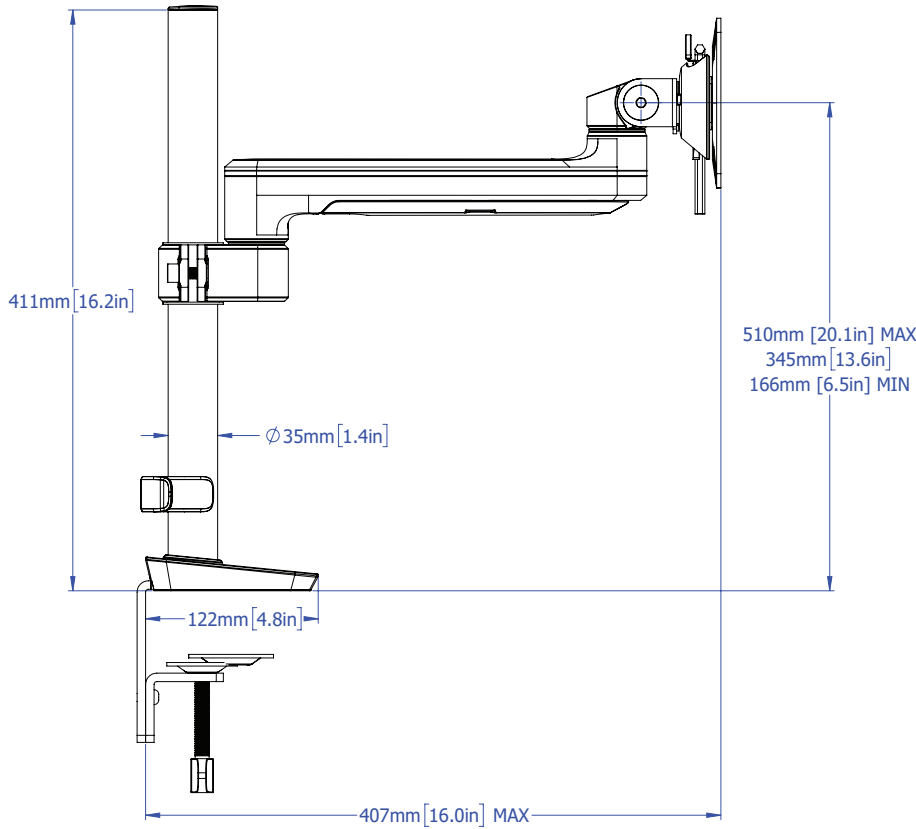
## SenaEX for every need

- As workstation needs change, so can the SenaEX configurations. Additional components sold separately

*Call our Customer Service Department for pricing for custom configurations.*

# Sena™ EX1-F

Single fixed monitor arm



# Sena™ EX1-FF

Single fixed + fixed monitor arm



grommet mount



desk clamp

## Product specs

- Manual height adjustment
- Recommended for worksurfaces 36" deep or less
- 22.97" arm extension
- 2.89" arm retraction
- +75° / -35° monitor tilt
- +/-90° VESA rotation
- 2.2lb. - 19.8lb weight capacity
- 16" pole height (includes base)
- VESA 75mm/100mm quick release
- 180° lock-out feature
- 360° rotation at three points
- Desk clamp and grommet mount included
- Meets or exceeds BIFMA x5.5 and CSA CAN/CGSB44.227 guidelines
- Warranty: 15 yr

## Model #

- SENAEX1-FF-SLV
- SENAEX1-FF-BLK
- SENAEX1-FF-WHT

## SenaEX monitor arm key

- F - Fixed monitor arm
- M - Motion monitor arm
- S - Slider mount

## Available mounting options

- DC - Desk clamp
- GM - Grommet mount

## SenaEX for every need

- As workstation needs change, so can the SenaEX configurations. Additional components sold separately

*Call our Customer Service Department for pricing for custom configurations.*



# Sena™ EX1-FM

Single fixed + motion monitor arm



grommet mount



desk clamp

## Product specs

- Finger touch dynamic height adjustment
- Recommended for worksurfaces 36" deep or less
- 12.68" height adjustment range
- 12.93" arm extension
- 2.89" arm retraction
- +75° / -35° monitor tilt
- +/-90° VESA rotation
- 2.2lb. - 19.8lb weight capacity
- 16" pole height (includes base)
- VESA 75mm/100mm quick release
- 180° lock-out feature
- 360° rotation at three points
- Desk clamp and grommet mount included
- Meets or exceeds BIFMA x5.5 and CSA CAN/CGSB44.227 guidelines
- Warranty: 15 yr

## Model #

- SENAEX1-FM-SLV
- SENAEX1-FM-BLK
- SENAEX1-FM-WHT

## SenaEX monitor arm key Available mounting options

- |                        |                    |
|------------------------|--------------------|
| F - Fixed monitor arm  | DC - Desk clamp    |
| M - Motion monitor arm | GM - Grommet mount |
| S - Slider mount       |                    |

## SenaEX for every need

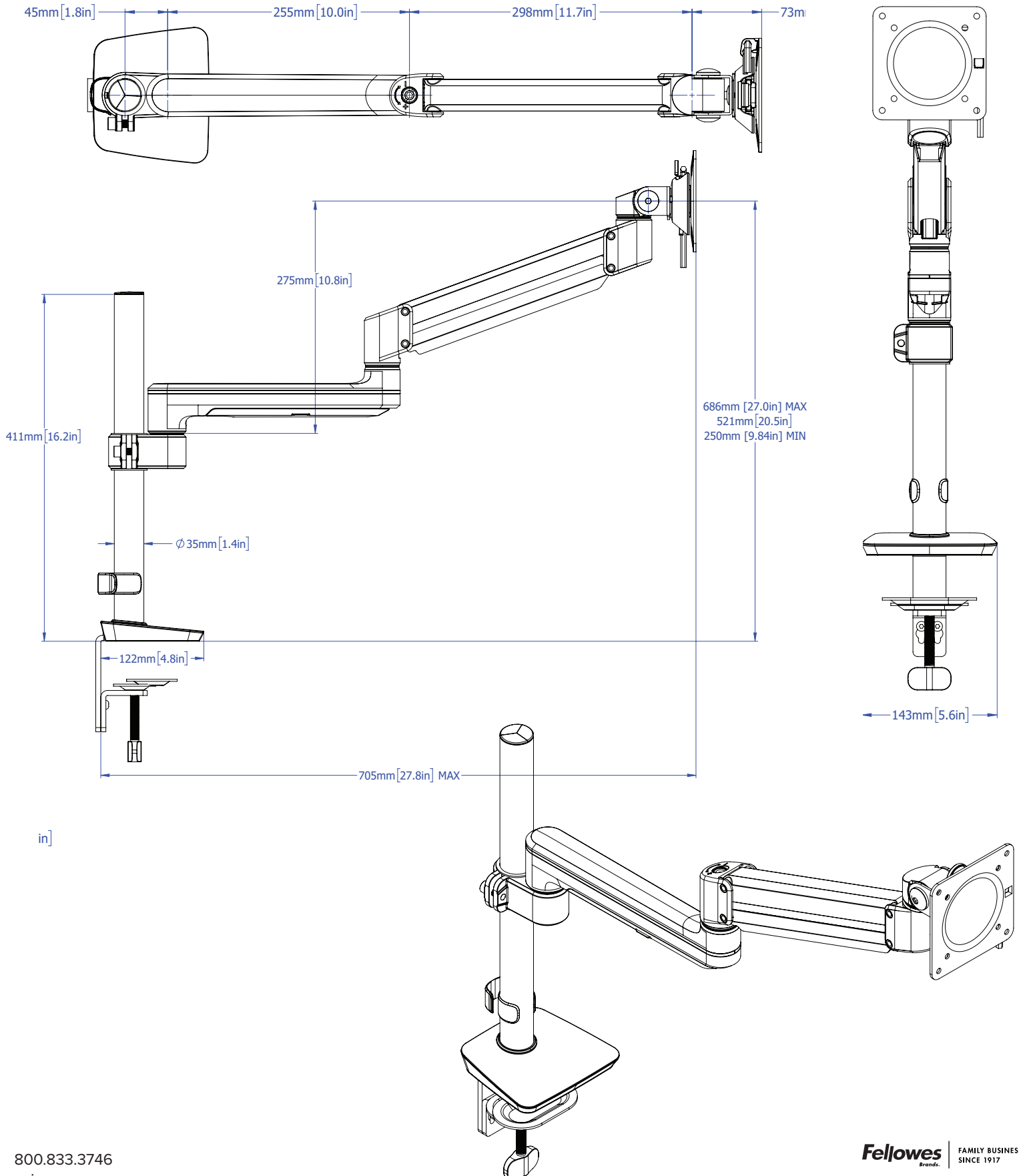
- As workstation needs change, so can the SenaEX configurations. Additional components sold separately

*Call our Customer Service Department for pricing for custom configurations.*

# Sena™ EX1-FM

Single fixed + motion monitor arm

esi®





# Sena™ EX1-M

Single motion monitor arm



grommet mount



desk clamp

## Product specs

- Finger touch dynamic height adjustment
- Recommended for worksurfaces 30" deep or less
- 12.68" height adjustment range
- 15.26" arm extension
- 2.89" arm retraction
- +75° / -35° monitor tilt
- +/-90° VESA rotation
- 2.2lb. - 19.8lb weight capacity
- 16" pole height (includes base)
- VESA 75mm/100mm quick release
- 180° lock-out feature
- 360° rotation at three points
- Desk clamp and grommet mount included
- Meets or exceeds BIFMA x5.5 and CSA CAN/CGSB44.227 guidelines
- Warranty: 15 yr

## Model #

- SENAEX1-M-SLV
- SENAEX1-M-BLK
- SENAEX1-M-WHT

## SenaEX monitor arm key

- F - Fixed monitor arm
- M - Motion monitor arm
- S - Slider mount

## Available mounting options

- DC - Desk clamp
- GM - Grommet mount

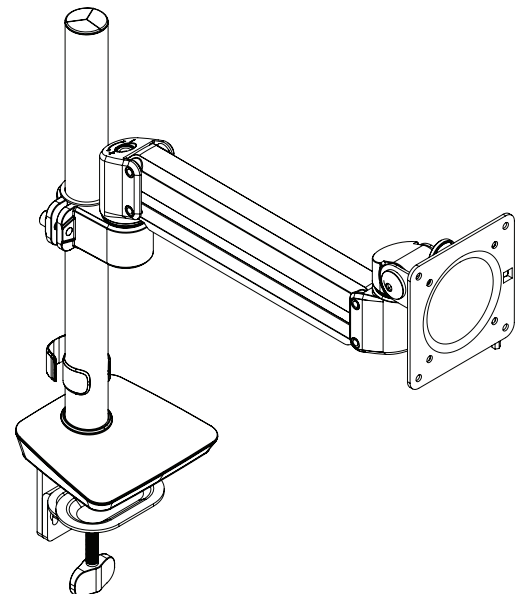
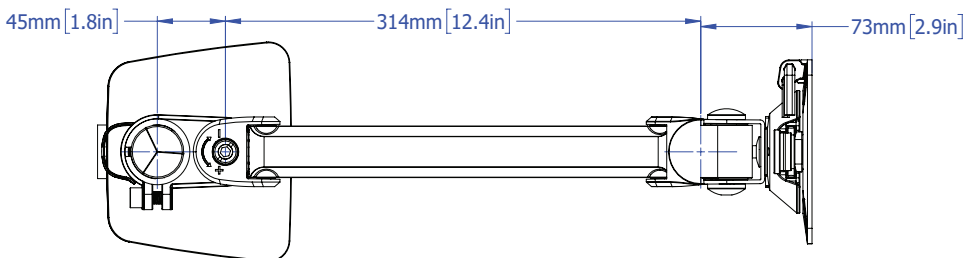
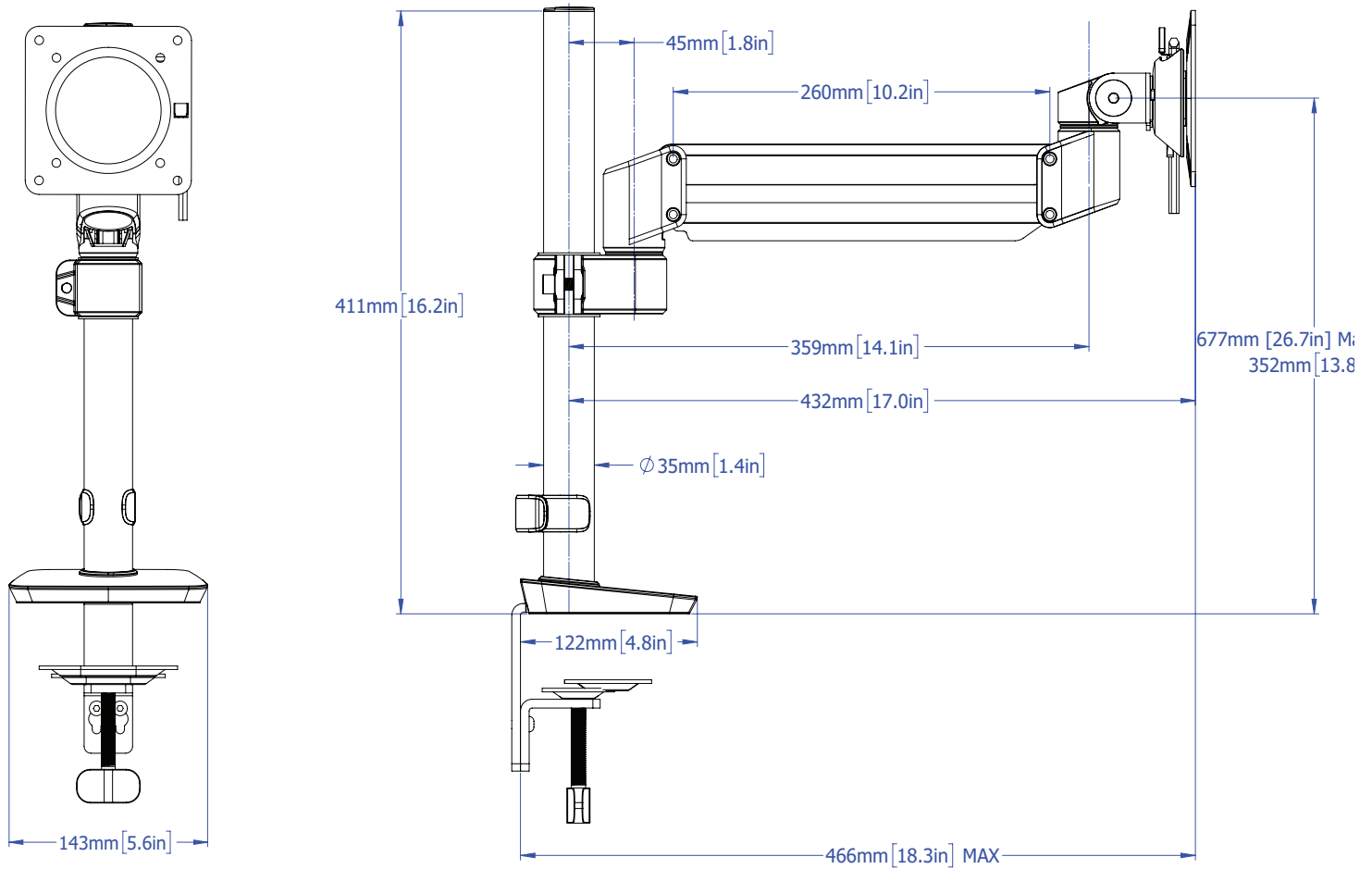
## SenaEX for every need

- As workstation needs change, so can the SenaEX configurations. Additional components sold separately

Call our Customer Service Department for pricing for custom configurations.

# Sena™ EX1-M

Single motion monitor arm



# Sena™ 2

Dual monitor arm



grommet mount



desk clamp

## Product specs

- Finger touch dynamic height adjustment
- Recommended for worksurfaces 36" deep or less
- 12.68" height adjustment range  
- 7.01"-19.69" (low-high)
- 24.37" arm extension
- 2.89" arm retraction
- +75° / -35° monitor tilt
- +/-90° VESA rotation
- 2.2lb. - 19.8lb weight capacity (per arm)
- VESA 75mm/100mm quick release
- 180° lock-out feature
- 270° / 135° arm rotation with 180° lock-out
- Desk clamp and grommet mount included
- 45.72" max monitor width
- Meets or exceeds BIFMA x5.5 and CSA CAN/CGSB44.227 guidelines
- Warranty: 15 yr

## Model #

- SENA2-SLV
- SENA2-BLK
- SENA2-WHT

## Available mounting options

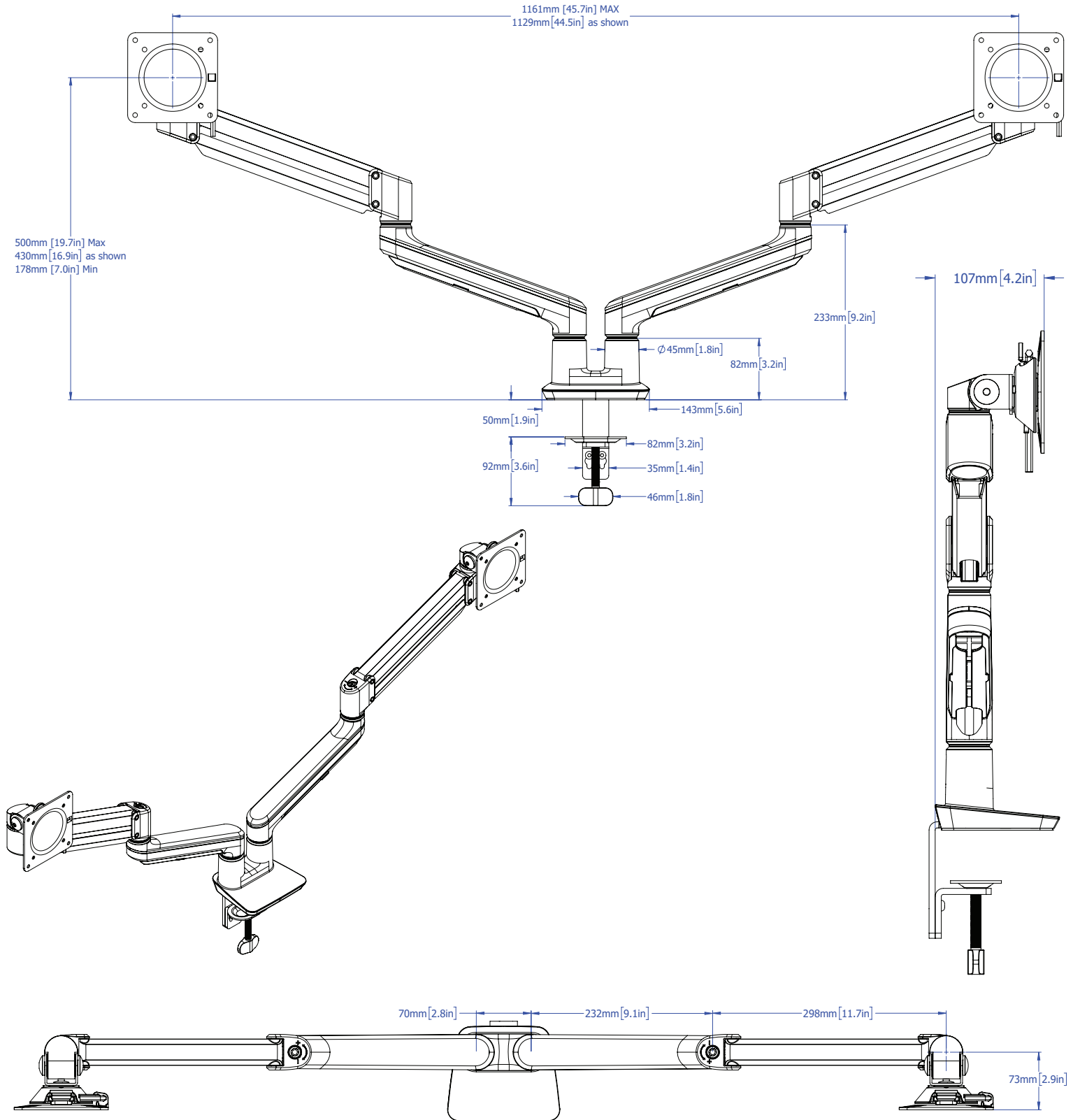
DC - Desk clamp

GM - Grommet mount

# Sena™ 2

Dual monitor arm

esi®



# Sena™ EX2-F

Dual fixed monitor arm



grommet mount



desk clamp

## Product specs

- Manual Height Adjustment
- Recommended for worksurfaces 36" deep or less
- 12.93" arm extension
- +75° / -35° monitor tilt
- +/-90° VESA rotation
- 2.2lb. - 19.8lb weight capacity (per arm)
- 16" pole height (includes base)
- VESA 75mm/100mm quick release
- 180° lock-out feature
- 270° / 135° arm rotation with 180° lock out
- Desk clamp and grommet mount included
- 25.98" max monitor width
  - Bezel measured left to right
- Meets or exceeds BIFMA x5.5 and CSA CAN/CGSB44.227 guidelines
- Warranty: 15 yr

## Model #

- SENAEX2-F-SLV
- SENAEX2-F-BLK
- SENAEX2-F-WHT

## SenaEX monitor arm key Available mounting options

- |                        |                    |
|------------------------|--------------------|
| F - Fixed monitor arm  | DC - Desk clamp    |
| M - Motion monitor arm | GM - Grommet mount |
| S - Slider mount       |                    |

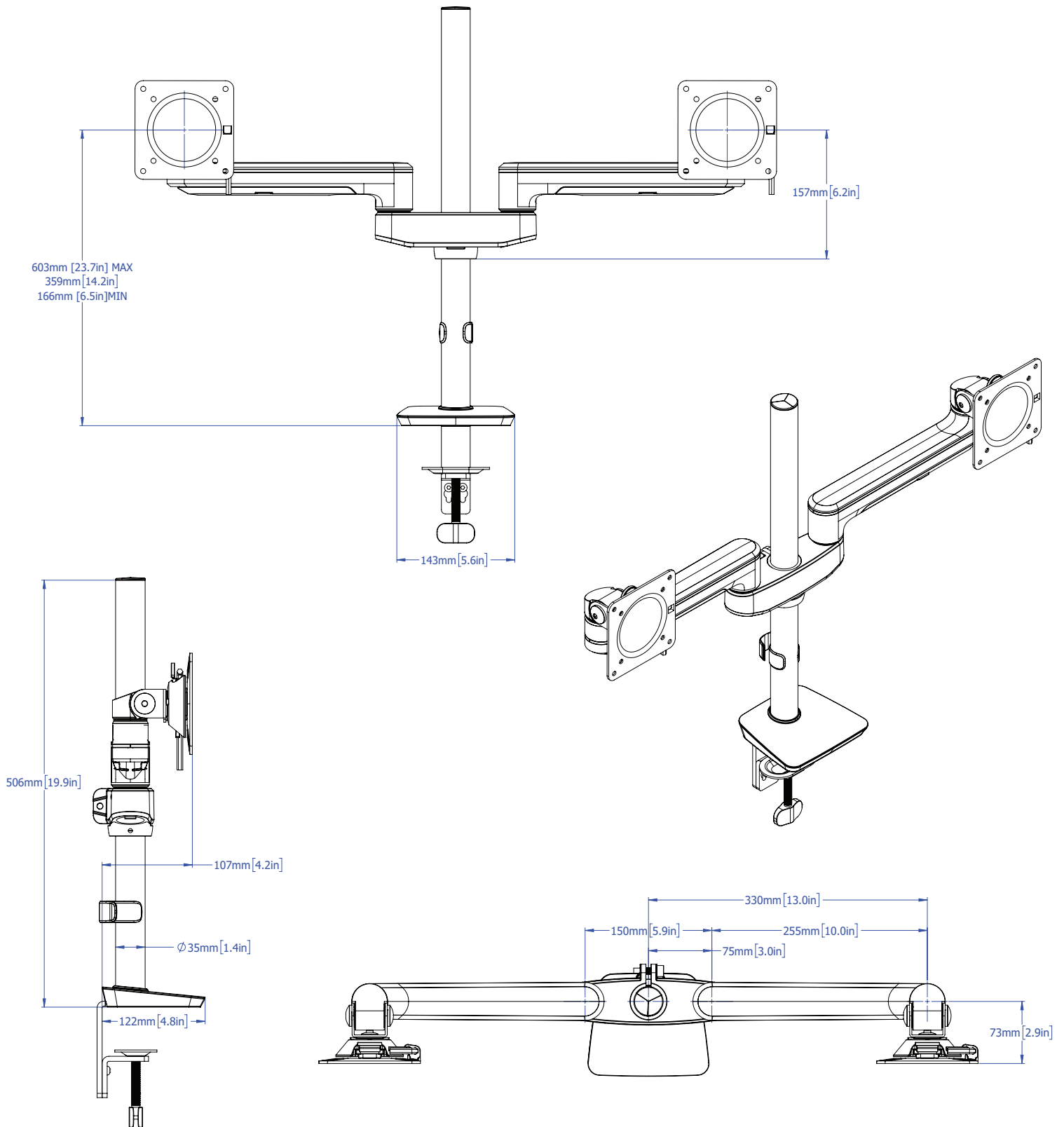
## SenaEX for every need

- As workstation needs change, so can the SenaEX configurations. Additional components sold separately

Call our Customer Service Department for pricing for custom configurations.

# Sena™ EX2-F

Dual fixed monitor arm



# Sena™ EX2-FF

Dual fixed + fixed monitor arm



grommet mount



desk clamp

## Product specs

- Manual Height Adjustment
- Recommended for worksurfaces 36" deep or less
- 22.97" arm extension
- +75° / -35° monitor tilt
- +/-90° VESA rotation
- 2.2lb. - 19.8lb weight capacity (per arm)
- 16" pole height (includes base)
- VESA 75mm/100mm quick release
- 180° lock-out feature
- 270° / 135° arm rotation with 180° lock out
- Desk clamp and grommet mount included
- 46.06" max monitor width
  - Bezel measured left to right
- Meets or exceeds BIFMA x5.5 and CSA CAN/CGSB44.227 guidelines
- Warranty: 15 yr

## Model #

- SENAEX2-FF-SLV
- SENAEX2-FF-BLK
- SENAEX2-FF-WHT

## SenaEX monitor arm key Available mounting options

- |                        |                    |
|------------------------|--------------------|
| F - Fixed monitor arm  | DC - Desk clamp    |
| M - Motion monitor arm | GM - Grommet mount |
| S - Slider mount       |                    |

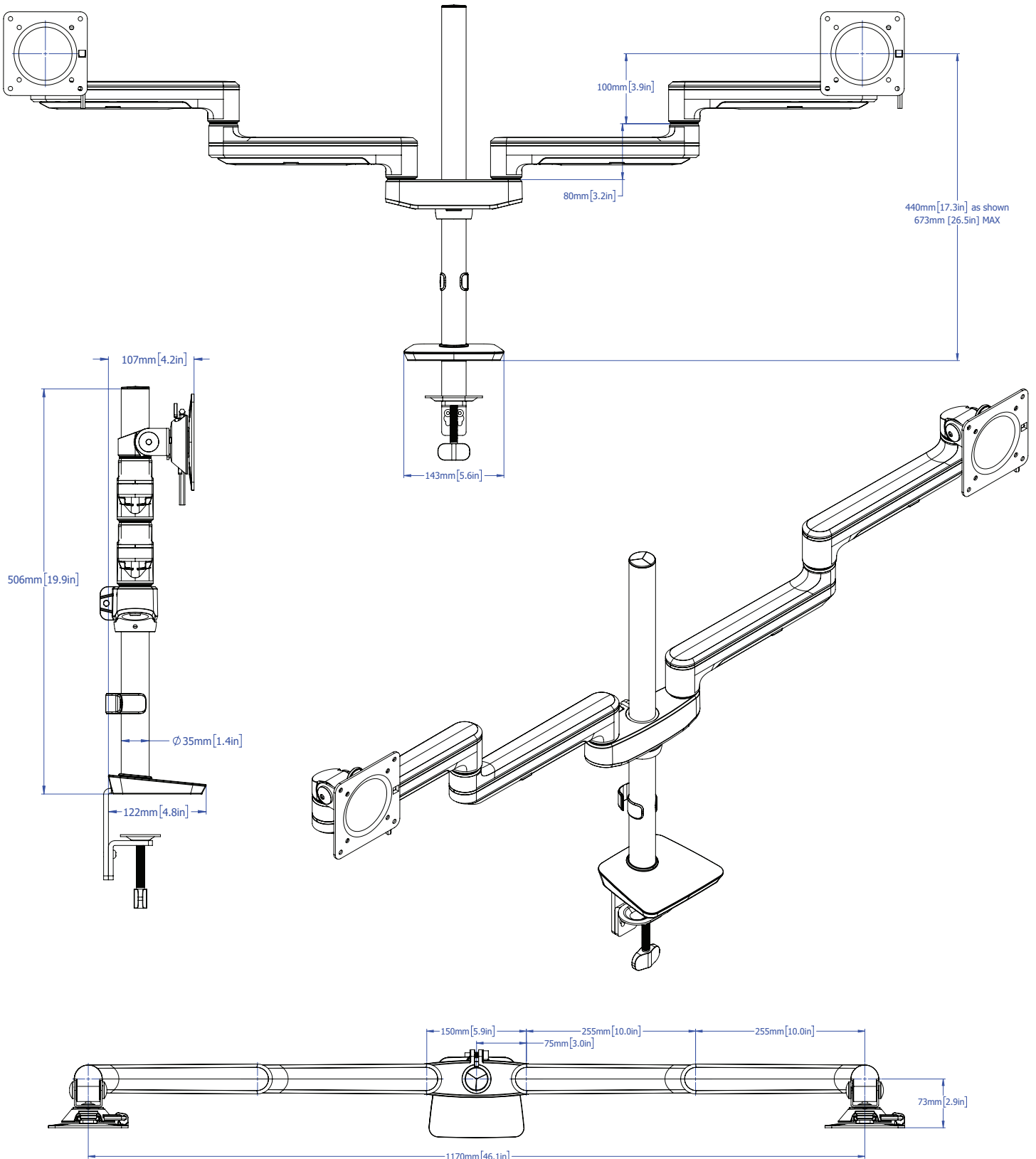
## SenaEX for every need

- As workstation needs change, so can the SenaEX configurations. Additional components sold separately

*Call our Customer Service Department for pricing for custom configurations.*

# Sena™ EX2-FF

Dual fixed + fixed monitor arm





# Sena™ EX2-FM

Dual fixed + motion monitor arm



grommet mount



desk clamp

## Product specs

- Finger touch dynamic height adjustment
- Recommended for worksurfaces 36" deep or less
- 12.68" height adjustment range
- 25.30" arm extension
- 2.89" arm retraction
- +75° / -35° monitor tilt
- +/-90° VESA rotation
- 2.2lb. - 19.8lb weight capacity (per arm)
- 16" pole height (includes base)
- VESA 75mm/100mm quick release
- 180° lock-out feature
- 270° / 135° arm rotation with 180° lock out
- 50.7" max monitor width
  - Bezel measured left to right
  - Max width is contingent on weight capacity
- Desk clamp and grommet mount included
- Meets or exceeds BIFMA x5.5 and CSA CAN/CGSB44.227 guidelines
- Warranty: 15 yr

## Model #

- SENAEX2-FM-SLV
- SENAEX2-FM-BLK
- SENAEX2-FM-WHT

## SenaEX monitor arm key

- F - Fixed monitor arm
- M - Motion monitor arm
- S - Slider mount

## Available mounting options

- DC - Desk clamp
- GM - Grommet mount

## SenaEX for every need

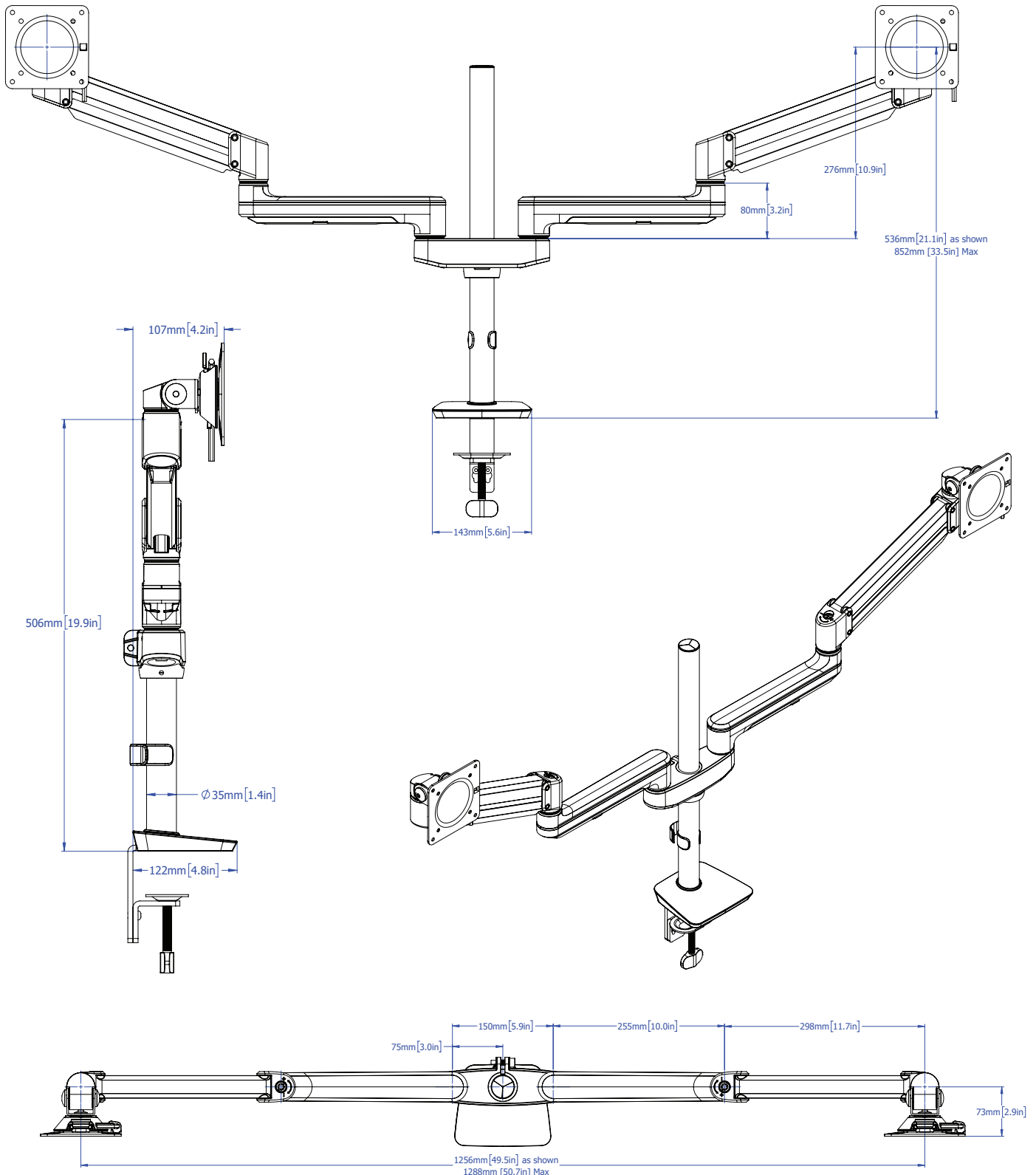
- As workstation needs change, so can the SenaEX configurations. Additional components sold separately

Call our Customer Service Department for pricing for custom configurations.

# Sena™ EX2-FM

Dual fixed + motion monitor arm

esi®



# Sena™ EX2-FMS

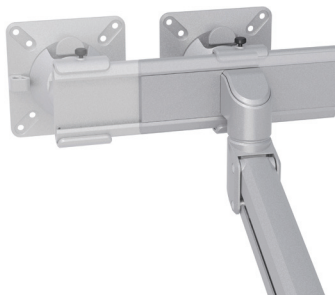
Dual fixed + motion + slider monitor arm



grommet mount



desk clamp



slider mount

## Product specs

- Finger touch dynamic height adjustment
- Recommended for worksurfaces 36" deep or less
- 12.68" height adjustment range
- 27.15" arm extension
- 4.7" arm retraction
- +/-60° monitor tilt
- +/-90° VESA rotation
- 2.2lb. - 19.8lb weight capacity (per arm)
- 16" pole height (includes base)
- VESA 75mm/100mm quick release
- 180° lock-out feature
- 270° / 135° arm rotation with 180° lock out
- 56.22" max monitor width
  - Bezel measured left to right
  - Max width is contingent on weight capacity
- Desk clamp and grommet mount included
- Meets or exceeds BIFMA x5.5 and CSA CAN/CGSB44.227 guidelines
- Warranty: 15 yr

## Model #

- SENAEX2-FMS-SLV
- SENAEX2-FMS-BLK
- SENAEX2-FMS-WHT

## SenaEX monitor arm key

- F - Fixed monitor arm
- M - Motion monitor arm
- S - Slider mount

## Available mounting options

- DC - Desk clamp
- GM - Grommet mount

## SenaEX for every need

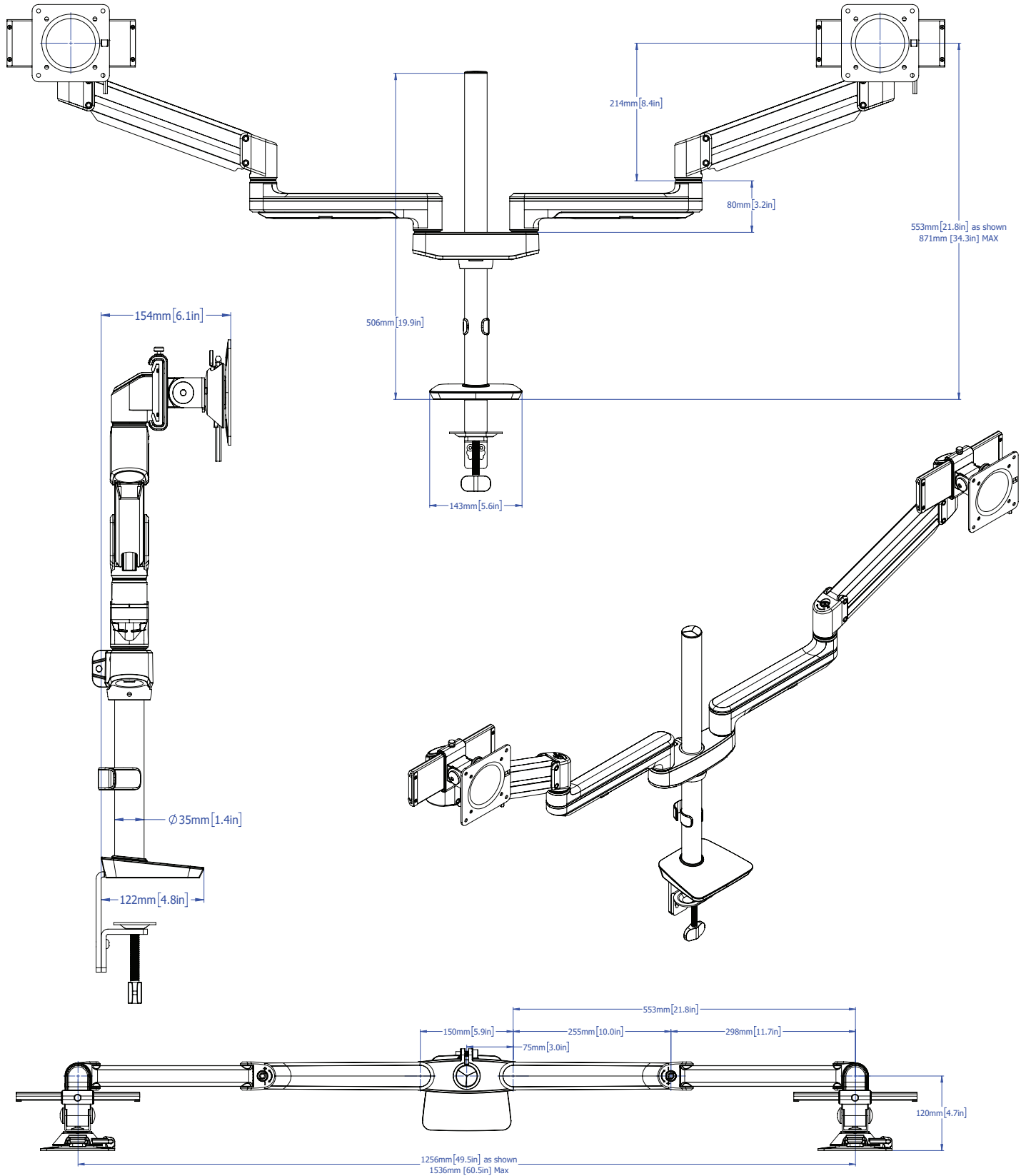
- As workstation needs change, so can the SenaEX configurations. Additional components sold separately

Call our Customer Service Department for pricing for custom configurations.

# Send™ EX2-FMS



Dual fixed + motion + slider monitor arm



# Sena™ EX2-FS

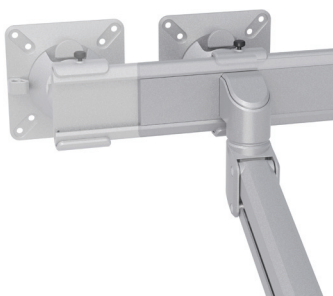
Dual fixed + slider monitor arm



grommet mount



desk clamp



slider mount

## Product specs

- Manual Height Adjustment
- Recommended for worksurfaces 30" deep or less
- 14.78" arm extension
- 4.7" arm retraction
- +/-60° monitor tilt
- +/-90° VESA rotation
- 2.2lb. - 19.8lb weight capacity (per arm)
- 16" pole height (includes base)
- VESA 75mm/100mm quick release
- 180° lock-out feature
- 270° / 135° arm rotation with 180° lock out
- Desk clamp and grommet mount included
- 31.50" max monitor width
  - Bezel measured left to right
- Meets or exceeds BIFMA x5.5 and CSA CAN/CGSB44.227 guidelines
- Warranty: 15 yr

## Model #

- SENAEX2-FS-SLV
- SENAEX2-FS-BLK
- SENAEX2-FS-WHT

## SenaEX monitor arm key Available mounting options

- |                        |                    |
|------------------------|--------------------|
| F - Fixed monitor arm  | DC - Desk clamp    |
| M - Motion monitor arm | GM - Grommet mount |
| S - Slider mount       |                    |

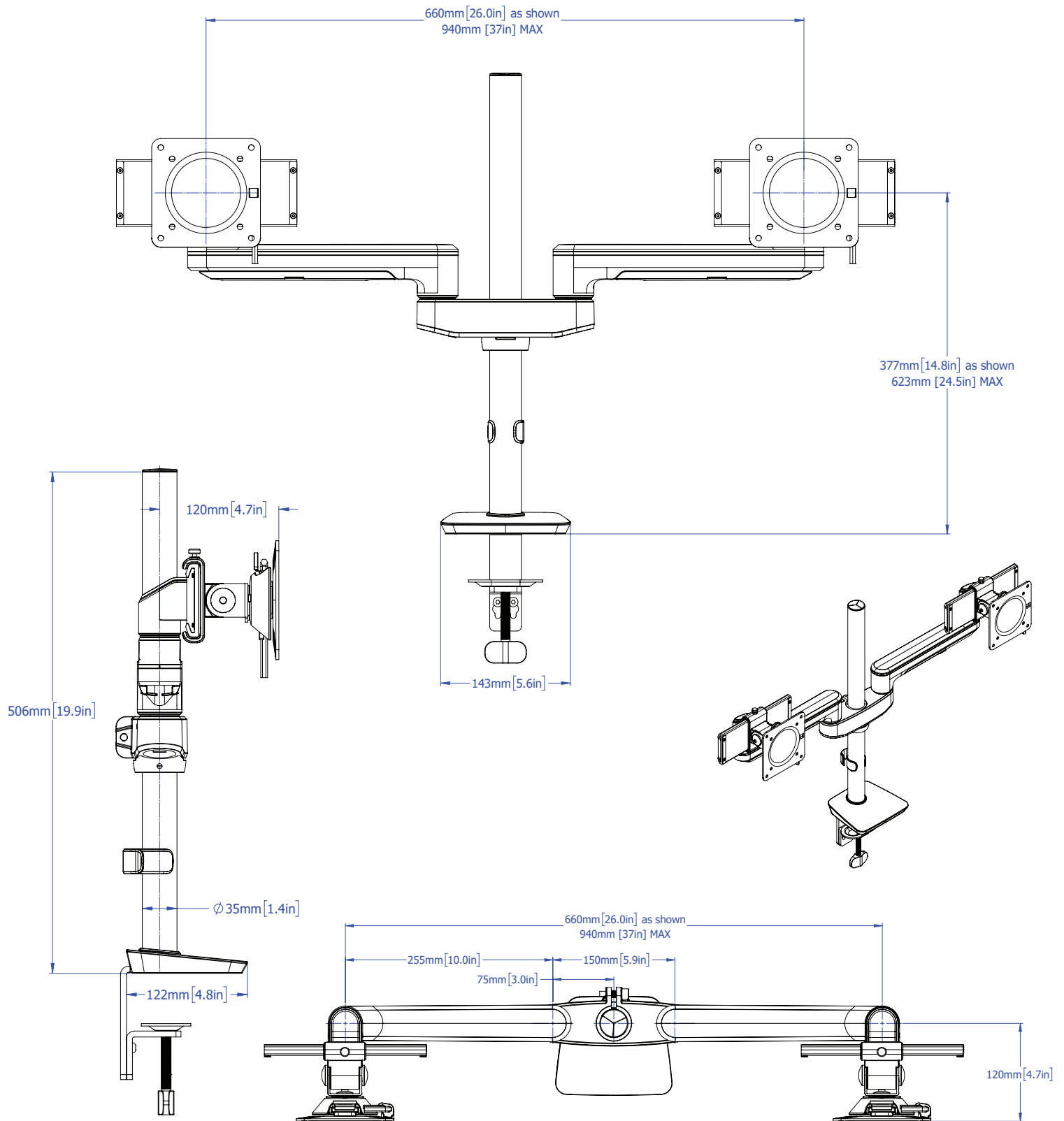
## SenaEX for every need

- As workstation needs change, so can the SenaEX configurations. Additional components sold separately

Call our Customer Service Department for pricing for custom configurations.

# Sena™ EX2-FS

Dual fixed + slider monitor arm



# Sena™ EX2-M

Dual motion monitor arm



grommet mount



desk clamp

## Product specs

- Finger touch dynamic height adjustment
- Recommended for worksurfaces 30" deep or less
- 12.68" height adjustment range
- 15.26" arm extension
- 2.89" arm retraction
- +75° / -35° monitor tilt
- +/-90° VESA rotation
- 2.2lb. - 19.8lb weight capacity (per arm)
- 16" pole height (includes base)
- VESA 75mm/100mm quick release
- 180° lock-out feature
- 270° / 135° arm rotation with 180° lock out
- 30.63" max monitor width
  - Bezel measured left to right
  - Max width is contingent on weight capacity
- Desk clamp and grommet mount included
- Meets or exceeds BIFMA x5.5 and CSA CAN/CGSB44.227 guidelines
- Warranty: 15 yr

## Model #

- SENAEX2-M-SLV
- SENAEX2-M-BLK
- SENAEX2-M-WHT

## SenaEX monitor arm key

- F - Fixed monitor arm
- M - Motion monitor arm
- S - Slider mount

## Available mounting options

- DC - Desk clamp
- GM - Grommet mount

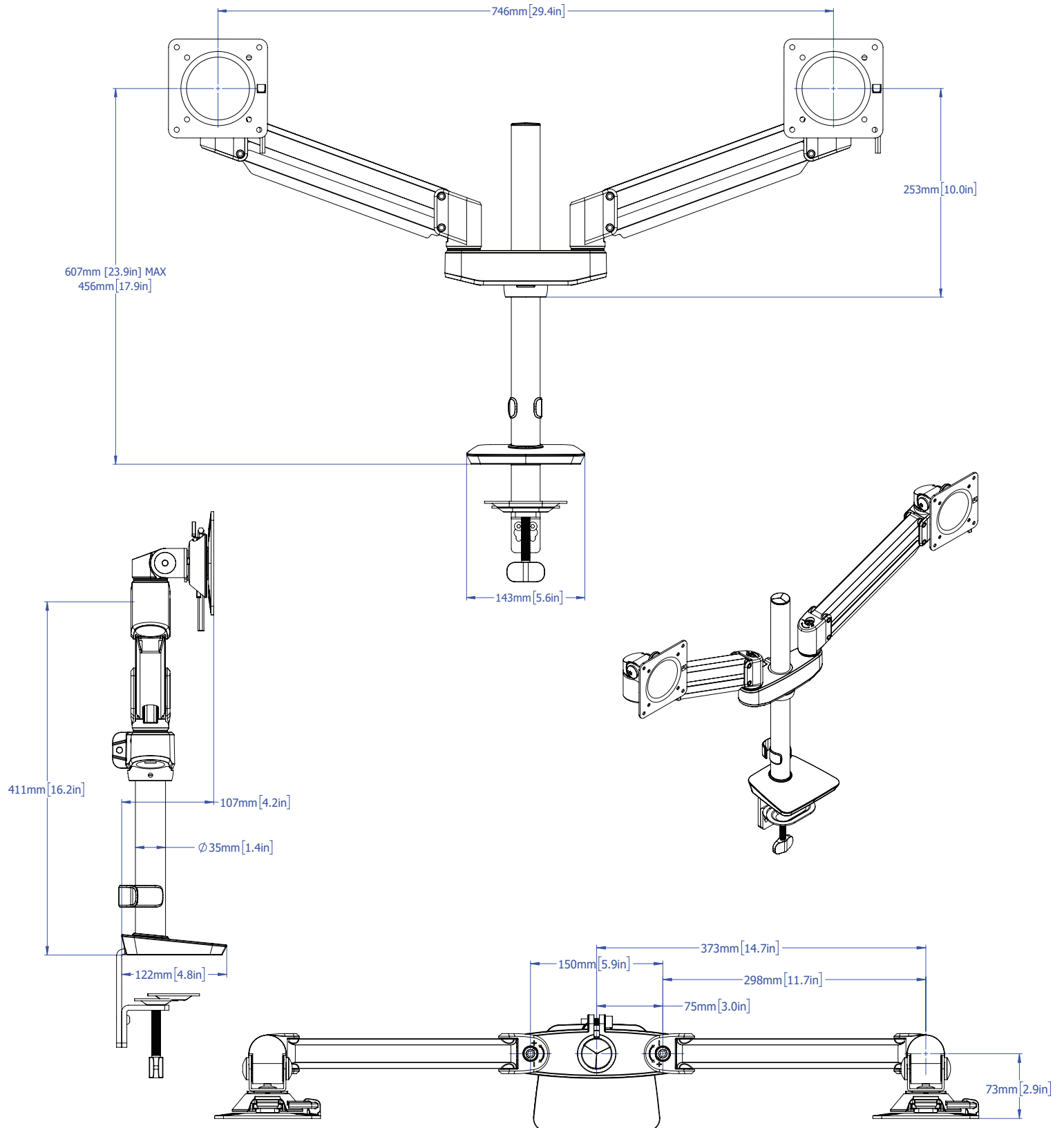
## SenaEX for every need

- As workstation needs change, so can the SenaEX configurations. Additional components sold separately

*Call our Customer Service Department for pricing for custom configurations.*

# Sena™ EX2-M

Dual motion monitor arm





# Sena™ EX2-MS

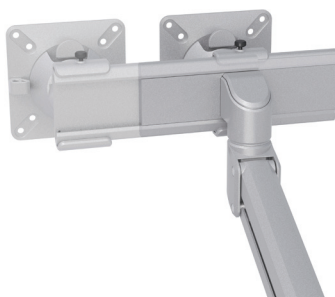
Dual motion + slider monitor arm



grommet mount



desk clamp



slider mount

## Product specs

- Finger touch dynamic height adjustment
- Recommended for worksurfaces 30" deep or less
- 12.68" height adjustment range
- 17.11" arm extension
- 4.74" arm retraction
- +/-60° monitor tilt
- +/-90° VESA rotation
- 2.2lb. - 19.8lb weight capacity (per arm)
- 7.87" pole height (includes base)
- VESA 75mm/100mm quick release
- 180° lock-out feature
- 270° / 135° arm rotation with 180° lock out
- 36.14" max monitor width
  - Bezel measured left to right
  - Max width is contingent on weight capacity
- Desk clamp and grommet mount included
- Meets or exceeds BIFMA x5.5 and CSA CAN/CGSB44.227 guidelines
- Warranty: 15 yr

## Model #

- SENAEX2-MS-SLV
- SENAEX2-MS-BLK
- SENAEX2-MS-WHT

## SenaEX monitor arm key Available mounting options

- |                        |                    |
|------------------------|--------------------|
| F - Fixed monitor arm  | DC - Desk clamp    |
| M - Motion monitor arm | GM - Grommet mount |
| S - Slider mount       |                    |

## SenaEX for every need

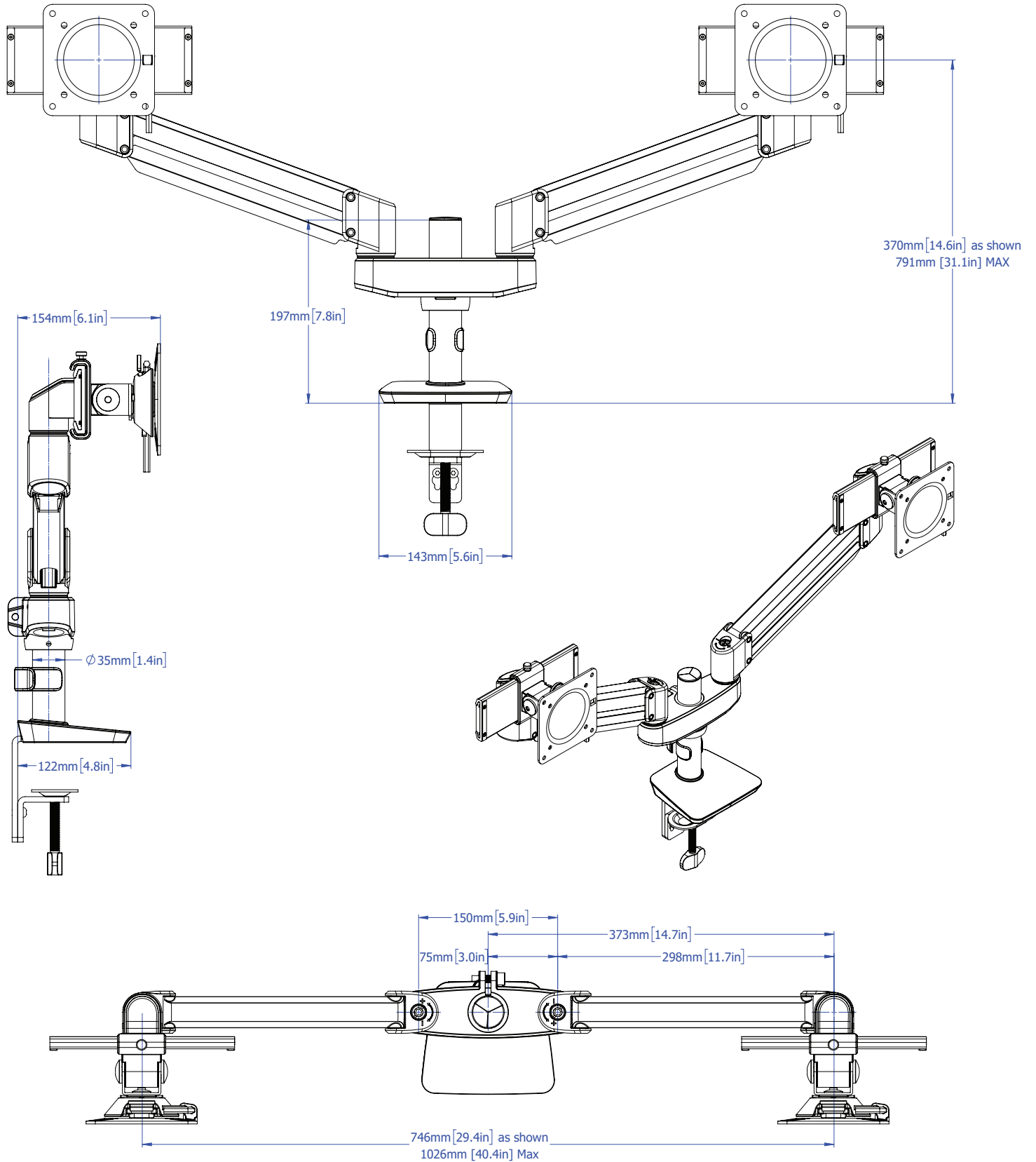
- As workstation needs change, so can the SenaEX configurations. Additional components sold separately

Call our Customer Service Department for pricing for custom configurations.

# Sena™ EX2-MS

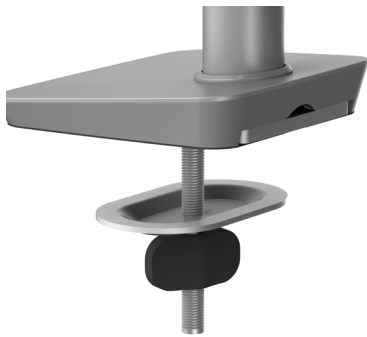
Dual motion + slider monitor arm

esi®



# Sena™ EX3-FF

Triple fixed + fixed monitor arm



grommet mount



desk clamp

## Product specs

- Manual height adjustment
- Recommended for worksurfaces 30" deep or less
- 22.97" arm extension
- 4.65" center arm extension
- 2.89" arm retraction
- +75° / -35° monitor tilt
- +/-90° VESA rotation
- 2.2lb. - 19.8lb weight capacity (per arm)
- 16" pole height (includes base)
- VESA 75mm/100mm quick release
- 180° lock-out feature
- Desk clamp and grommet mount included
- Integrated cord management
- 270° / 135° arm rotation with 180° lock out
- 23.03" max monitor width
  - Bezel measured left to right
  - Max width is contingent on weight capacity
- Meets or exceeds ANSI/BIFMA x5.5 guidelines
- Warranty: 15 yr

## Model #

- SENAEX3-FF-SLV
- SENAEX3-FF-BLK
- SENAEX3-FF-WHT

## SenaEX monitor arm key Available mounting options

- |                        |                    |
|------------------------|--------------------|
| F - Fixed monitor arm  | DC - Desk clamp    |
| M - Motion monitor arm | GM - Grommet mount |
| S - Slider mount       |                    |

## SenaEX for every need

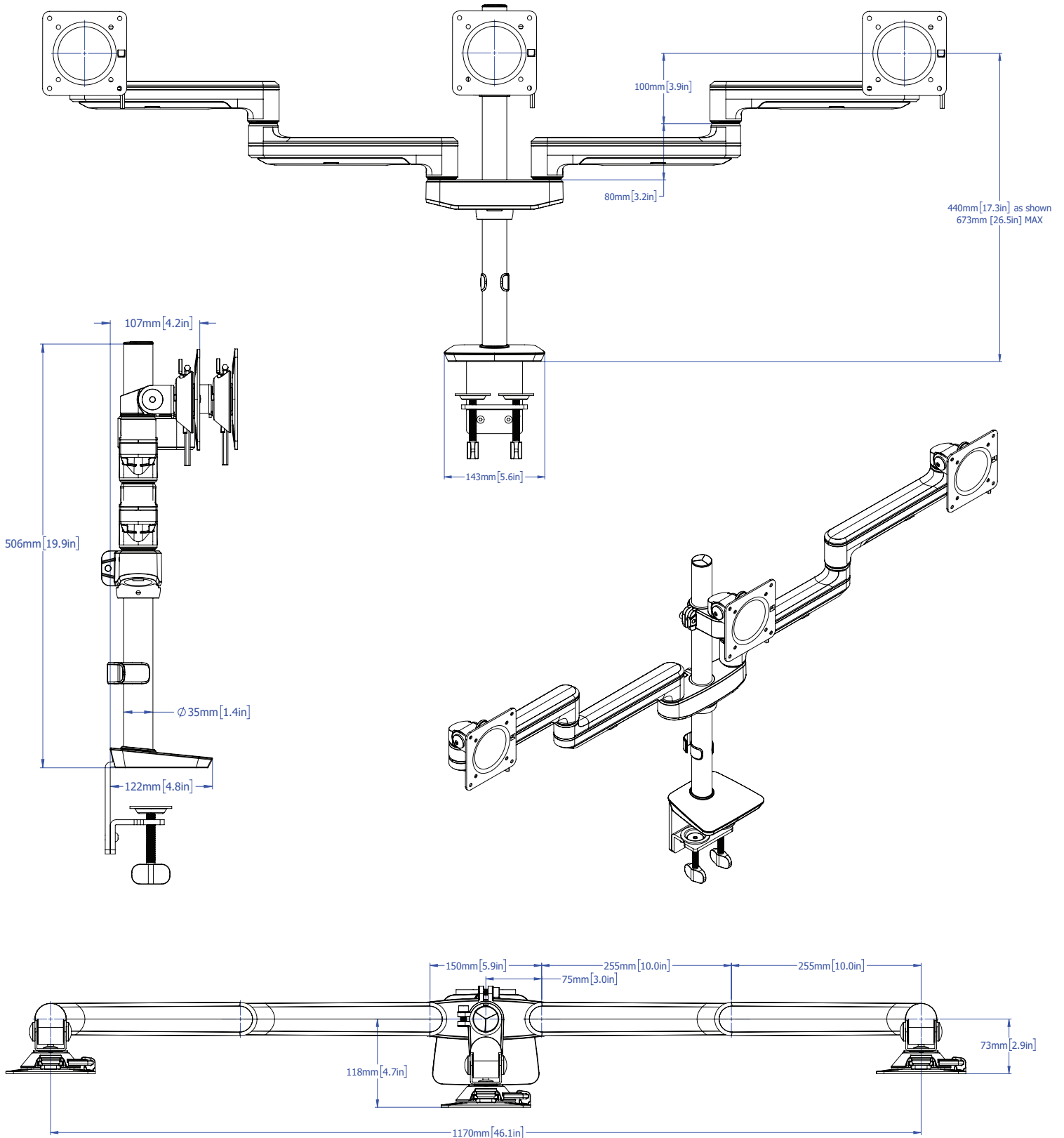
- As workstation needs change, so can the SenaEX configurations. Additional components sold separately

Call our Customer Service Department for pricing for custom configurations.

# Sena™ EX3-FF

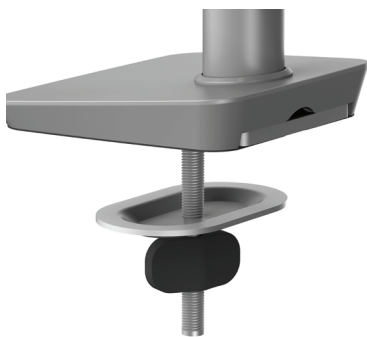
Triple fixed + fixed monitor arm

esi®



# Sena™ EX3-FMS

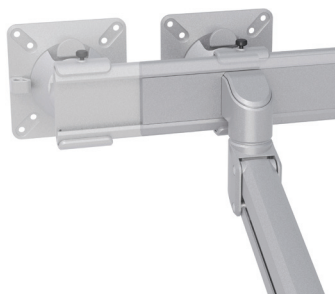
Triple fixed + motion + slider monitor arm



grommet mount



desk clamp



slider mount

## Product specs

- Finger touch dynamic height adjustment
- Recommended for worksurfaces 30" deep or less
- 12.68" height adjustment range
- 27.15" arm extension
- 4.65" center arm extension
- 4.74" arm retraction
- +/-60° monitor tilt
- +/-90° VESA rotation
- 2.2lb. - 19.8lb weight capacity (per arm)
- 16" pole height (includes base)
- VESA 75mm/100mm quick release
- 180° lock-out feature
- Desk clamp and grommet mount included
- Integrated cord management
- 270° / 135° arm rotation with 180° lock out
- 28.11" max monitor width
  - Bezel measured left to right
  - Max width is contingent on weight capacity
- Meets or exceeds ANSI/BIFMA x5.5 guidelines
- Warranty: 15 yr

## Model #

- SENAEX3-FMS-SLV
- SENAEX3-FMS-BLK
- SENAEX3-FMS-WHT

## SenaEX monitor arm key Available mounting options

- |                        |                    |
|------------------------|--------------------|
| F - Fixed monitor arm  | DC - Desk clamp    |
| M - Motion monitor arm | GM - Grommet mount |
| S - Slider mount       |                    |

## SenaEX for every need

- As workstation needs change, so can the SenaEX configurations. Additional components sold separately

Call our Customer Service Department for pricing for custom configurations.

# Sena™ EX3-FMS



Triple fixed + motion + slider monitor arm

