



Assembly instructions

Victory™ LX 2-leg

Electric height adjustable table base

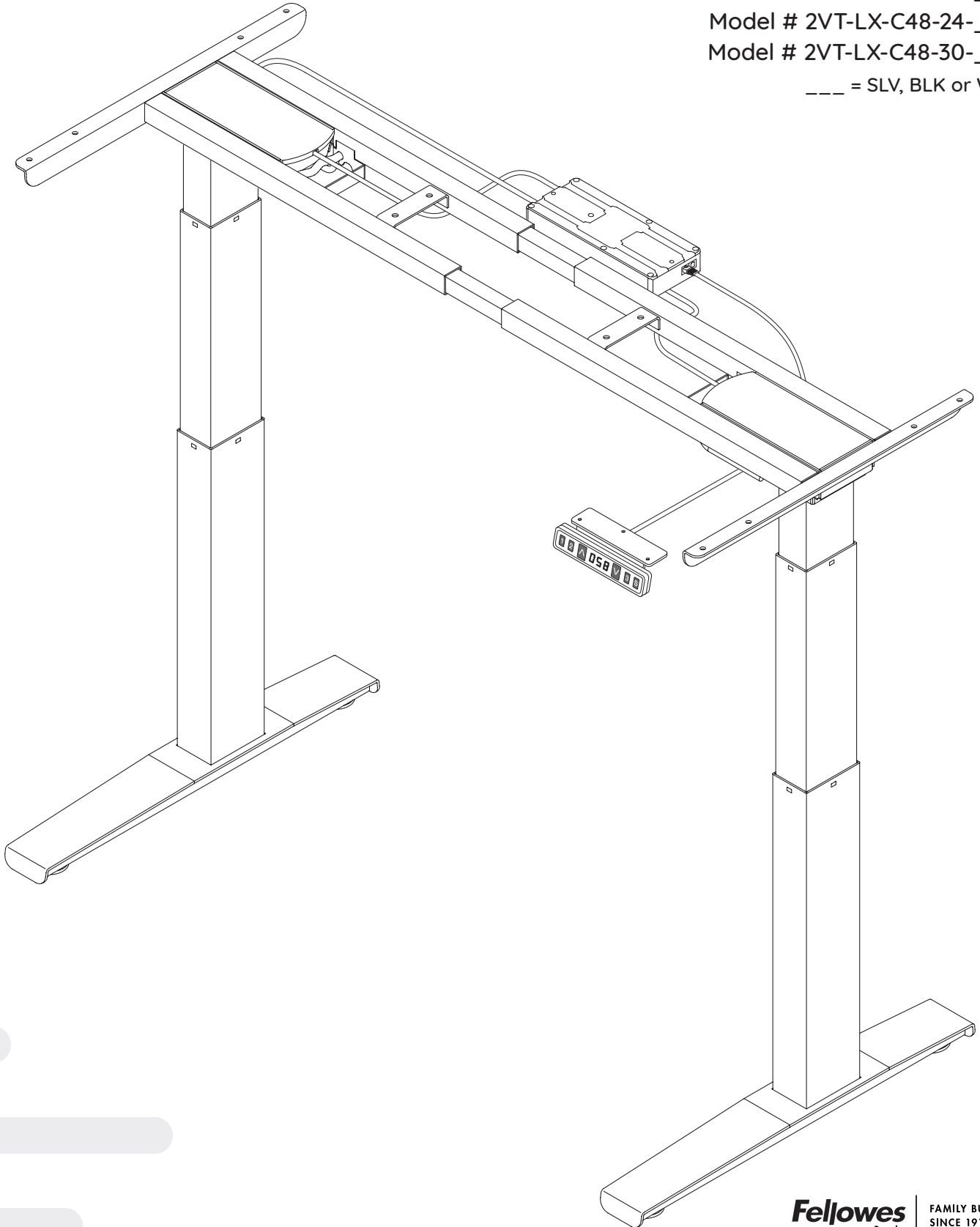
Model # 2VT-LX-C36-24-____

Model # 2VT-LX-C36-30-____

Model # 2VT-LX-C48-24-____

Model # 2VT-LX-C48-30-____

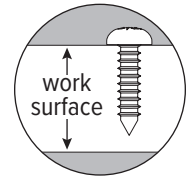
____ = SLV, BLK or WHT





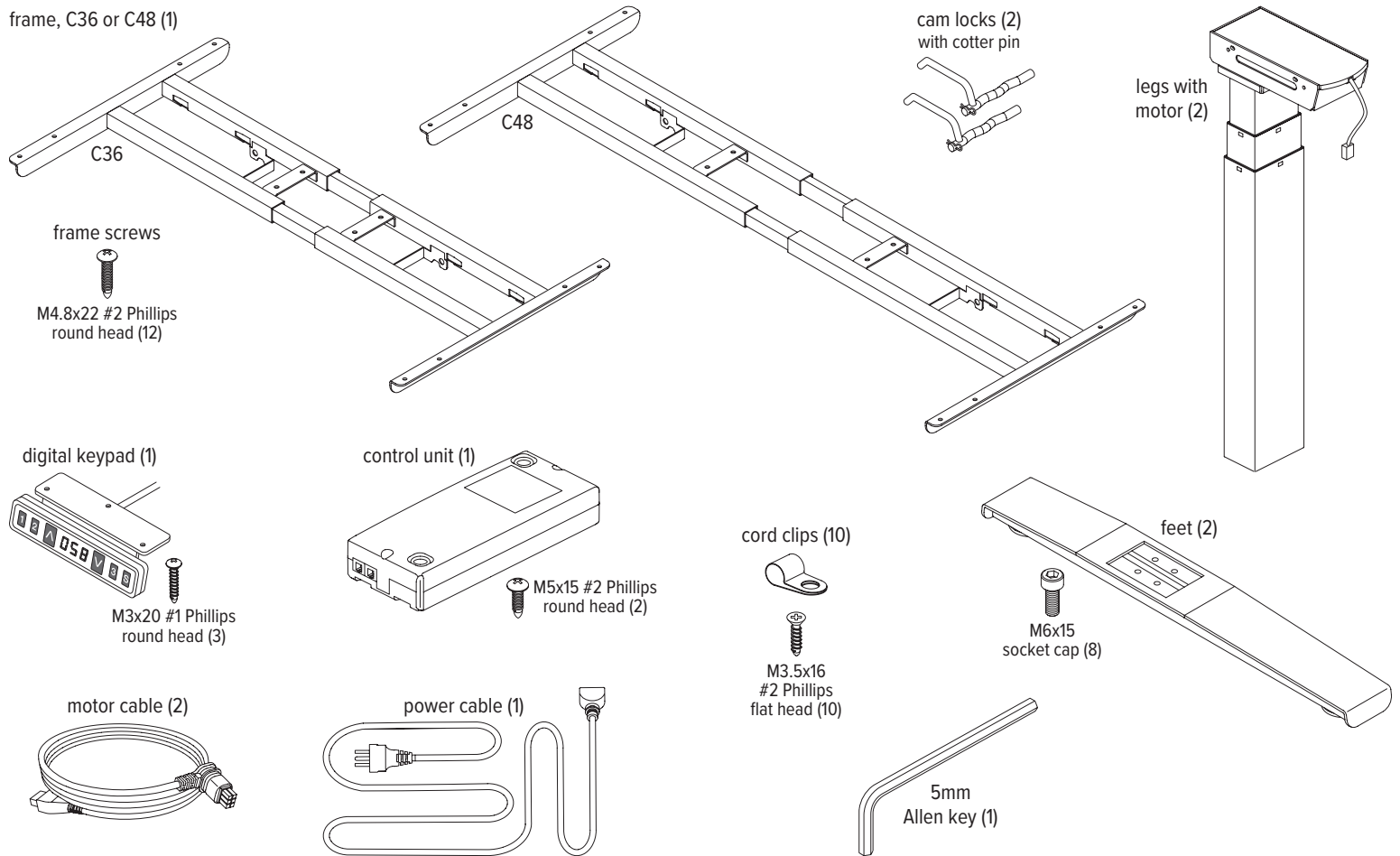
Caution

- When drilling holes for the wood screws, guard against drilling through the top of the worksurface.
- Always check that screws used to attach components to the worksurface are not too long for the thickness of the surface.



Please review these instructions before beginning the installation. Use the illustrations below to check that all components needed for your installation were provided with your order. Do not discard the packaging until the product works to your satisfaction.

Components and tools



Additional tools required

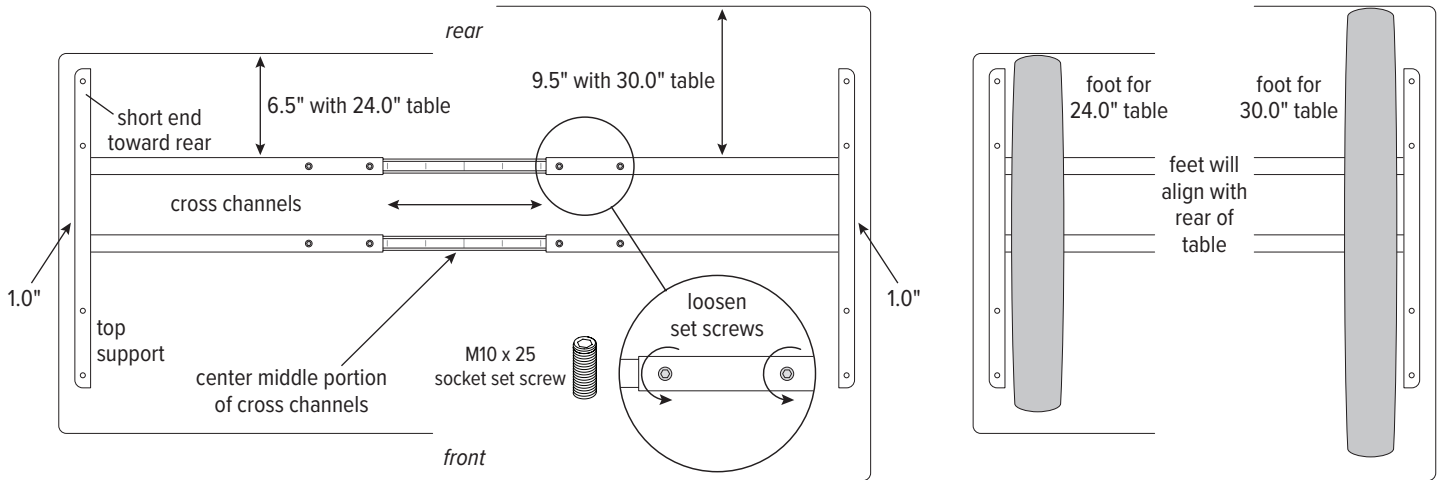
- power drill with assorted drill bits
- Phillips screwdriver
- Phillips #1 and #2 bits



Step #1: position frame on table

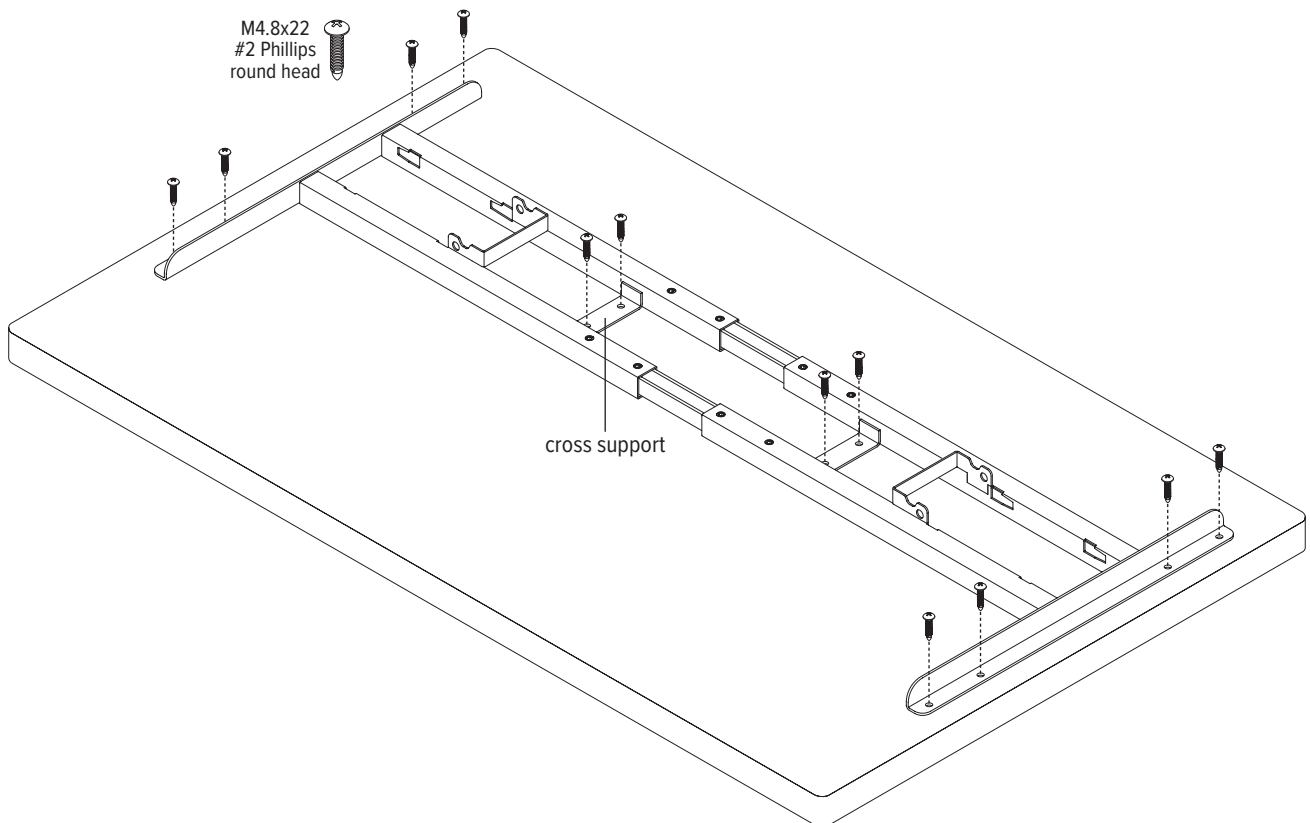
With the table top facing down on a soft, clean surface, arrange the frame as shown below, with the short ends of the top supports toward the rear.

- Position the frame side to side.
 - Loosen all eight set screws (if necessary) using the 5mm Allen key. Expand or compress the frame so that the top supports are 1.0" from the edges of the table. Center the middle portion of the cross channels, then tighten the eight set screws.
- Position the frame front to back.
 - With tables that are 24.0" deep, position the rear cross channel 6.5" from the rear edge of the table. With 30.0" tables, position the rear cross channel 9.5" from the rear edge of the table. These positions of the frame will align the rear of the feet to the rear of the table when the feet are installed in step 4.



Step #2: screw frame to table

- Use the M4.8X22 #2 Phillips round head screws.
- Both the C36 frame and C48 frame require 12 screws, as shown below.

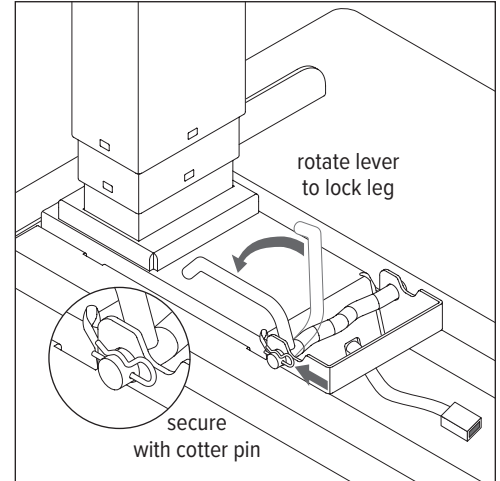
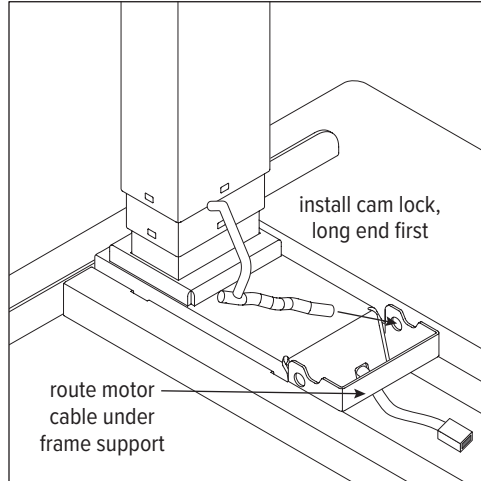
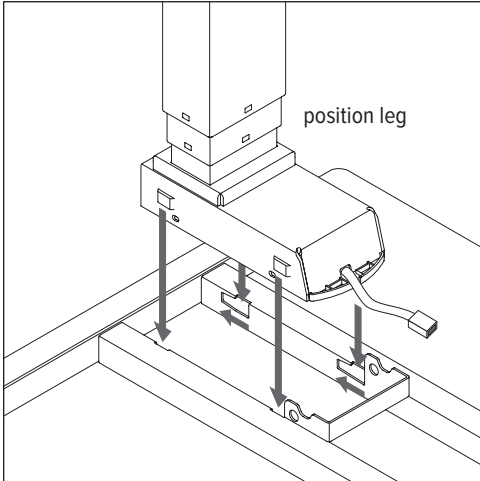
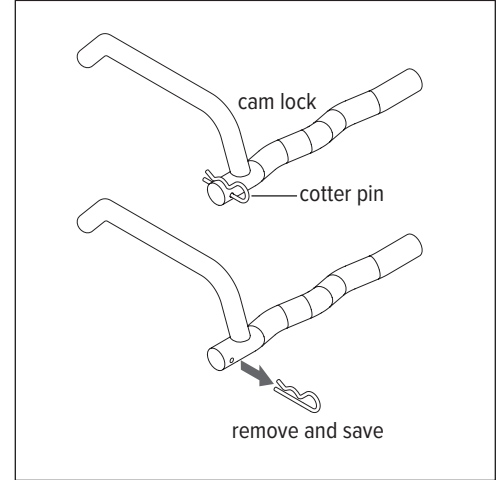




Step #3: attach legs to frame

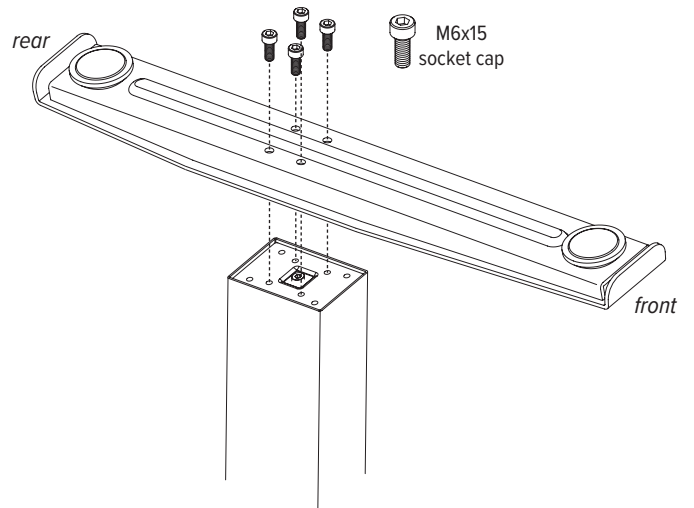
- Remove the cotter pin from each cam lock and save it for use later in this step.
- Position each leg.
 - First lower the protrusions on the motor housing into the notches.
 - Then push the protrusions back toward the top supports into the narrower part of the notches.
- Route the motor cable on each leg under the frame support, as shown.
- Install the cam lock. With the lever arm upward, insert the long end of the cam lock first, as shown.
- After the cam lock is installed, rotate its lever arm toward the leg until the lever is horizontal. This locks the leg in place.
- Install the cotter pin to secure the cam lock.
- Check to be sure each leg is securely locked in position.

WARNING: The cam locks must be in the locked position at all times to secure the legs in place.



Step #4: attach feet to legs

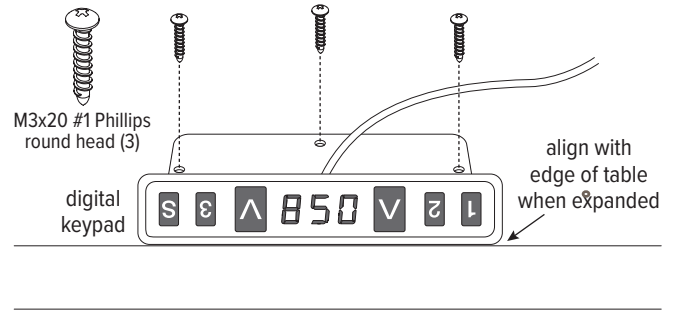
- Place the rectangular opening on the foot over the leg. The short end of the foot faces toward the rear, as shown.
- Use the 5mm Allen key and M6x15 socket head screws to secure the feet in position.





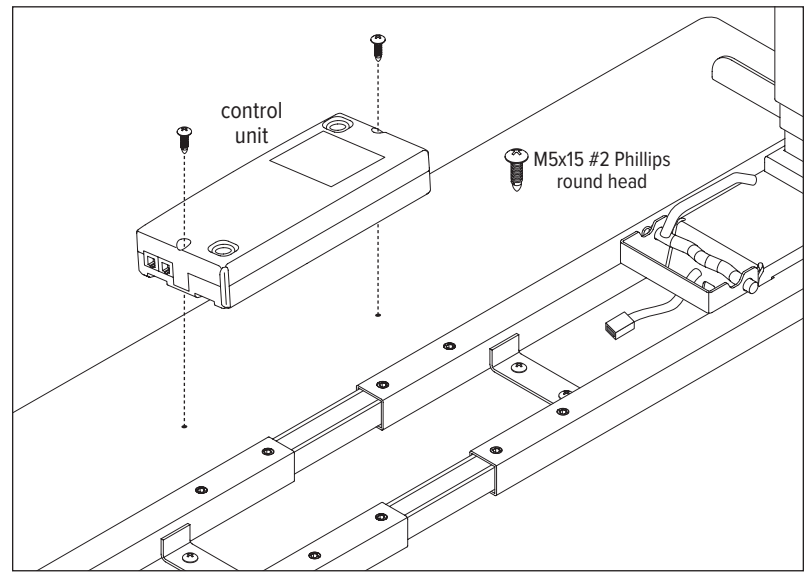
Step #5: attach digital keypad

- Attach the digital keypad using the three M3x20 #1 Phillips round head screws.
- Install the keypad in the “expanded” position. Pull the keypad away from the mounting bracket to expand it.
- Position the digital keypad on the left or right side of the table, according to user preference.
- Align the top of the keypad with the edge of the table so that the controls will be easily accessible in the expanded position.
 - To prevent accidental damage when not in use, the keypad may be pushed in, under the table.



Step #6: attach control unit

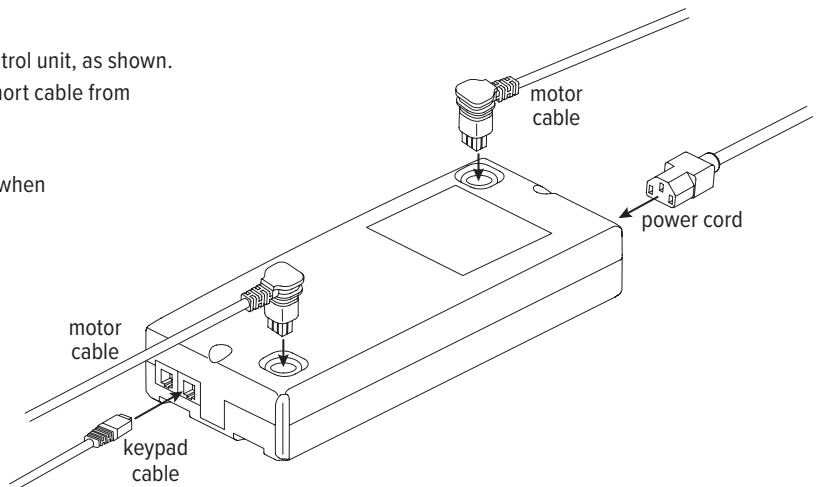
- Position the control unit near the back of the table or between the cross channels.
- Be sure that the cable from the keypad can reach the control unit and the motor cables can extend from the control unit to both motors.
- Attach the control unit using the two M5x15 #2 Phillips round head screws.



Step #7: make cable and cord connections







- Connect the cable from the digital keypad to one of the end ports on the control unit, as shown.
- Connect the motor cables to the ports on top of the control unit and to the short cable from each table leg.
- Connect the power cord to the control unit.
- Plug the power cord into an AC outlet. Be sure the cord can reach the outlet when the table is raised to its highest position.

CAUTION: Do not operate the table until after initializing the system. See the following step.



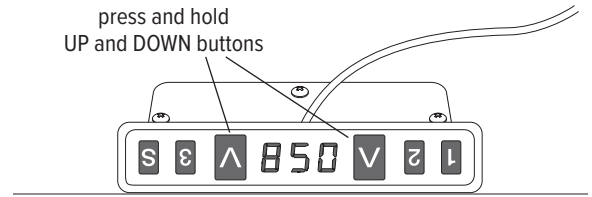


Step #8: initialize the system

- Press and hold the UP  and DOWN  buttons simultaneously for more than 3 seconds.
 - The legs will begin to move down at half speed of normal operation.
- Continue to press the UP  and DOWN  buttons.
 - The legs will move down to the lowest position, then rebound 0.06" to 0.2" (2mm to 5mm) and stop.
- Release the UP  and DOWN  buttons at the same time. This completes the initialization procedure.



IMPORTANT: The initialization procedure above must be completed before operating the table.

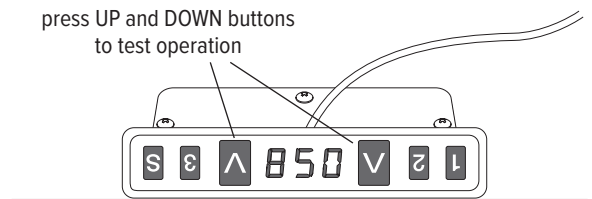
NOTE: The unit must be re-initialized anytime power is cut to the unit.



Note: Until the table is turned upright, the DOWN button points up and the UP button points down.

Step #9: test operation

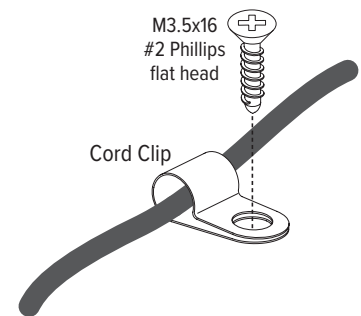
- Press the UP  and DOWN  buttons individually to test operation.
 - End your test with the legs lowered.
 - Unplug the power cord.
- If there are problems with operation, check that all cable and cord connections are secure. If problems continue, call ESI Customer Service: 800.833.3746.



Step #10: use cord clips to secure cables and cords

IMPORTANT: The cables and cords must not dangle under the table where they may present a hazard to the user or may accidentally be pulled from their connections.

- Place the cord clips onto the cables and cords.
- Use the M3.5x16 #2 Phillips flat head screws to fasten the cord clips to the table.





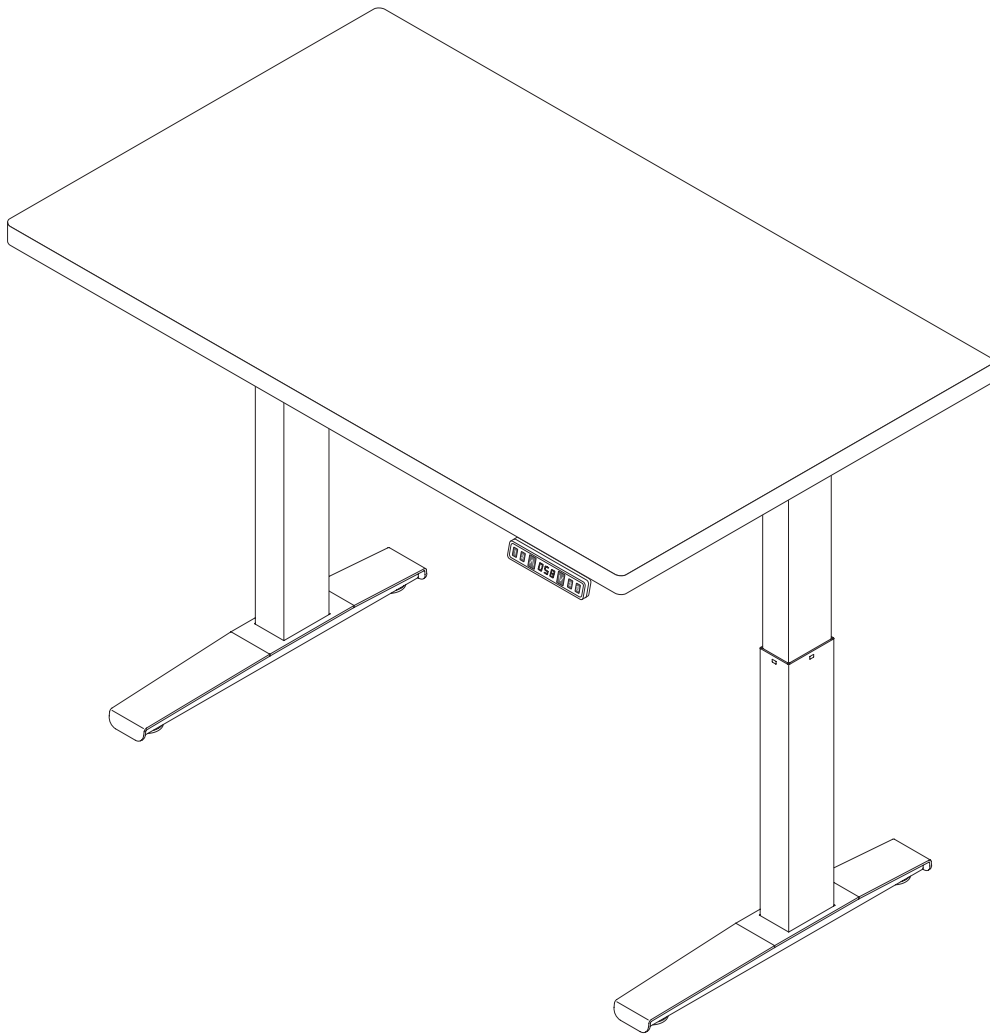
Step #11: turn the table upright

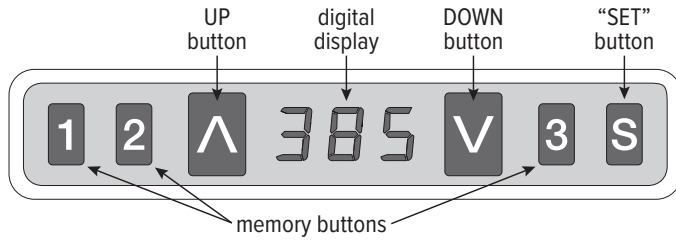
With the assistance of a helper, turn the table upright and place it in its final position.

IMPORTANT: There must be 1.0" (25mm) of clearance on all sides of the worksurface (and other moving parts) to ensure free, unobstructed movement.

- If necessary, adjust the leveling glides on the feet to level the worksurface.
- Plug the power cord into an AC outlet.
- Re-initialize the system. See Step 8 on page 6. **IMPORTANT:** Be sure there are no obstacles under the table that would prevent it from reaching its lowest position.
- See the following pages for operating procedures.

NOTE: Whenever the unit is unplugged or the power is cut, the table must be re-initialized.





Important

- Before operating the table, the initialization procedure must be completed. See Step 8 on page 6.

General operation

- Move the table up or down by pressing UP ▲ or DOWN ▼ until the worksurface reaches the desired height.
- The table will continue to move up or down until you release the button or until the maximum or minimum height is reached.

Table movement stops when you release the UP ▲ or DOWN ▼ button.

Memory stop positions

- Up to three memory stop positions can be used to save specific heights of the worksurface. To set a specific position:
 - Raise or lower the table to the position you want to save.
 - The display on the digital keypad shows the worksurface height.
 - Press and release the **S** button. Then press the desired memory button (**1**, **2** or **3**) within the next 3 seconds.
 - Position 1, 2 or 3 is now saved.
- To move the worksurface to a memory stop position:
 - Press and hold the desired memory button (**1**, **2** or **3**).
 - The worksurface will move to the saved position and then stop.

If you release the memory button before the saved position is reached, table movement will stop.

Lower stop position

- To set the lower stop position (the minimum height of the table):
 - Raise or lower the table to the desired minimum height.
 - Press and hold **S**, then press and hold **1**. Continue to press both buttons for about 3 seconds.
 - The letter “L” appears on the display. This means the minimum height of the table is locked at its current position.
 - Release both buttons.
- To erase the lower stop position:
 - With the table at its lower stop position, press and hold **S**, then press and hold **2**. Continue to press both buttons for about 3 seconds.
 - The letter “C” appears on the display, indicating the lower stop position has been erased.
 - Release both buttons.

If there is a memory stop position lower than the lower stop position, the memory stop will be erased.



Upper stop position

- To set the upper stop position (the maximum height of the table):
 - Raise or lower the table to the desired maximum height.
 - Press and hold **S**, then press and hold **3**. Continue to press both buttons for about 3 seconds.
 - The letter “L” appears on the display. This means the maximum height of the table is locked at its current position.
 - Release both buttons.
- To erase the upper stop position:
 - With the table at its upper stop position, press and hold **S**, then press and hold **2**. Continue to press both buttons for about 3 seconds.
 - The letter “C” appears on the display, indicating the upper stop position has been erased.
 - Release both buttons.

If there is a memory stop position higher than the upper stop position, the memory stop will be erased.

Changing the height display units

- To change the display units from centimeters to inches or from inches to centimeters:
 - Press and hold **S**, then press and hold the DOWN ▼ button. Continue to press both buttons for about 3 seconds.
 - The height information will change between centimeters and inches.
 - Release both buttons.

There are 2.54 centimeters per inch. This makes it easy to tell what the current display units are. For example, if the table is about three feet high, the display will read approximately either 36.0 (inches) or 090 (centimeters).



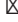



Adjusting the height readout

- To set the display height of the table to account for different worksurface thicknesses:
 - Move the table to the lowest position by pressing the DOWN ▼ button.
 - Measure and record the height of the top of the worksurface.
 - Press and hold **S** until the first LED number blinks.
 - Press and hold UP ▲ or DOWN ▼, changing the number in the first LED position to the number desired.
 - Press and hold **S** again until the second LED number blinks.
 - Press and hold UP ▲ or DOWN ▼, changing the number in the second LED position to the number desired.
 - Press and hold **S** again until the third LED number blinks.
 - Press and hold UP ▲ or DOWN ▼, changing the number in the third LED position to the number desired.
 - Finish setting this new height readout by pressing **S** one more time.
- The new height readout is now ready to use.

In inch format, the minimum adjustable amount (third digit) is 0.5". (The third digit will be either 0 or 5.) In centimeter format, the minimum adjustable amount (third digit) is 1 cm. (The third digit will be 0 through 9.)





Reset the table to factory settings (re-initialization)

- To reset the table to factory settings, re-initialize the control unit using the keypad.
 - Be sure there are no obstacles under the table that would prevent it from reaching its lowest position.
 - Press and hold the UP  and DOWN  buttons simultaneously for more than 3 seconds. The legs will begin to move down at half speed of normal operation.
 - Continue to hold the UP  and DOWN  buttons.
 - The legs will move down to the lowest position, then rebound $\frac{1}{16}$ " to $\frac{3}{16}$ " (2mm to 5mm) and stop.
 - Release the UP  and DOWN  buttons at the same time. This completes the re-initialization procedure.

If one or more motors are changed in a system, the table must be reset to factory settings.

Adjust gyro anti-collision sensitivity

- The default anti-collision sensitivity is G-1. To increase or decrease the sensitivity of the table to obstacles in the path of its movement:
 - Press and hold the **S** button for more than 5 seconds. The display shows “---”.
 - Release **S** and, within 3 seconds, press the **3** button. The display shows “G-X”, where X is a number from 0 to 4.
 - Press the UP  or DOWN  button to increase or decrease the gyro sensitivity level. There are five levels of sensitivity: “G-0”, “G-1”, “G-2”, “G-3” and “G-4”. “G-4” indicates the highest sensitivity and “G-0” is no gyro sensitivity.
 - Press and hold the **S** button for more than 3 seconds. This completes the adjustment.

If the legs do not move when general operation is attempted, the gyro sensitivity adjustment may be too high.

Error codes

Error Code	Description	Troubleshooting
E01	Leg malfunction	1. Check that the leg cables are securely plugged into the leg and control unit. 2. Inner parts of leg are broken. Replace the leg.
E03	Table top overload	1. Remove some weight from the table.
E04	Control unit malfunction	1. Re-initialize the system.
E05	Keypad button stuck	1. Toggle the button to restore normal function. 2. Replace the keypad if the button remains stuck.
E06	Communication interruption	1. Check the cable connection between the keypad and control unit. Verify that the cable is securely plugged into the control unit. 2. If the problem is not resolved, replace the keypad or control unit.
E12	Gyro error	1. Communication is abnormal; power ON to normalize communication. 2. Table is tilted; straighten table or wait one minute before operating table.

IMPORTANT: The table should be re-initialized after every 1,000 cycles; every six months; or if power is cut or cable is unplugged accidentally. When re-initializing, be sure there are no obstacles under the table that would prevent it from reaching its lowest position



Victory™ LX

Electric height adjustable table base

Please contact Customer Service with any questions or comments at 800.833.3746 or visit our website at esiergo.com

LIMITED WARRANTY

ESI warrants this product to be free from defects in manufacturing for a period of 15 years on structural parts and 7 years on electrical parts from the date of original purchase. This warranty extends only to the original purchaser, and does not apply if the product has been damaged or fails to function properly as a result of misuse, abuse, modification, alteration, or improper cleaning or maintenance. This warranty does not apply to damage in shipment caused by carriers, damage caused during installation, normal wear and tear, or excessive use (meaning consistent use in excess of an eight hour shift). ANY IMPLIED WARRANTIES OF MERCHANTABILITY OR FITNESS FOR A PARTICULAR PURPOSE ARE LIMITED IN DURATION TO ONE YEAR FROM THE DATE OF ORIGINAL RETAIL PURCHASE. ESI's sole obligation under this warranty or any implied warranty, and the purchaser's sole remedy, is limited to the repair or replacement, at ESI's option, of the product or any defective part. Costs (such as installation, labor fees or express shipping) incurred due to replacement of products are not covered under warranty. IN NO EVENT SHALL FELLOWES, ITS AFFILIATES, SUBSIDIARIES, RELATED ENTITIES OR THEIR RESPECTIVE OFFICERS, DIRECTORS, OR EMPLOYEES, BE LIABLE FOR INCIDENTAL, CONSEQUENTIAL, PUNITIVE, EXEMPLARY, OR SPECIAL DAMAGES.

To make a warranty claim, contact ESI at 800-833-3746 or customerservice@esiergo.com. You must provide proof of purchase, such as the original purchase order number.

The duration, terms and conditions of this warranty are valid worldwide, except where different limitations, restrictions or conditions may be required by local law.