

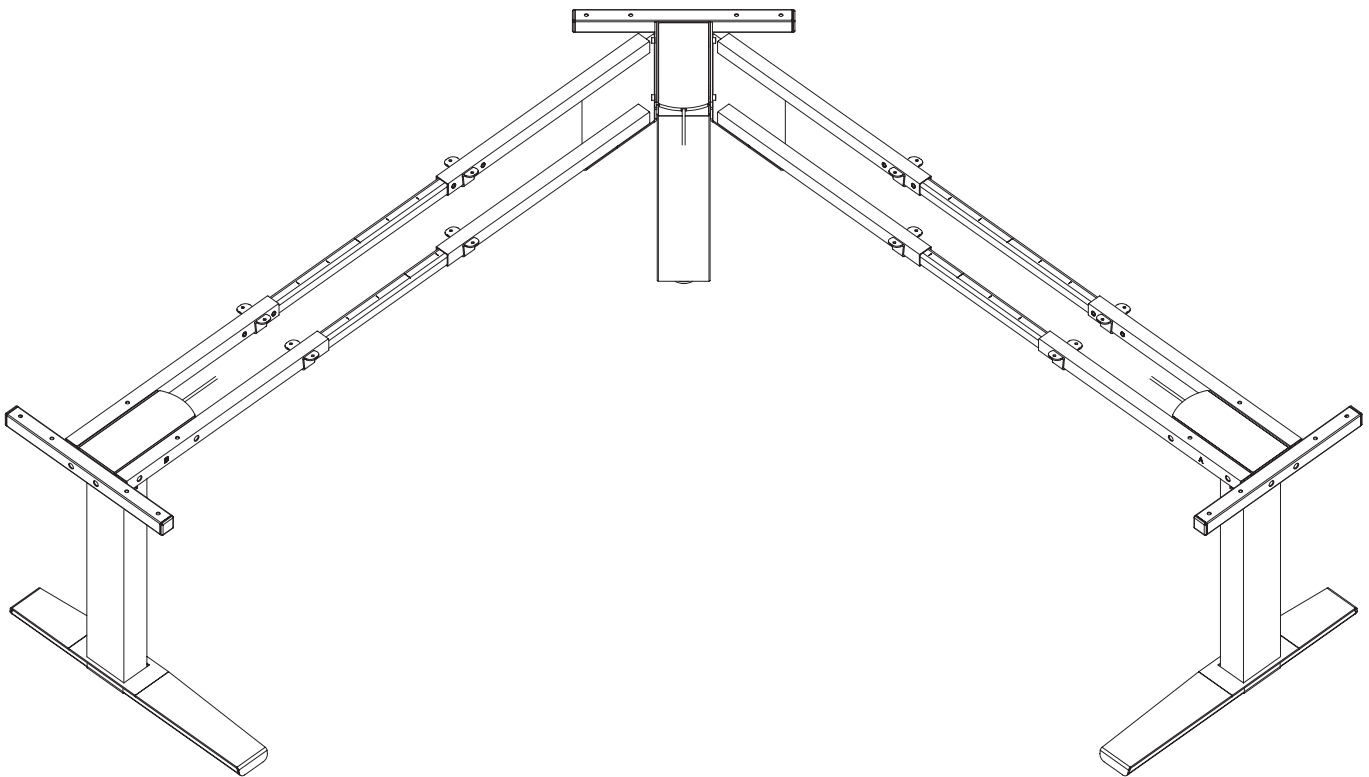
VICTORY-LX

3 LEG ELECTRIC TABLE BASE

Model 3V-LX-C4848-24-___
Model 3V-LX-C4848-30-___
Model 3V-LX-C4836-24-___
Model 3V-LX-C4836-30-___
Model 3V-LX-C3636-24-___
Model 3V-LX-C3636-30-___

3V-LX Rev A 7/17

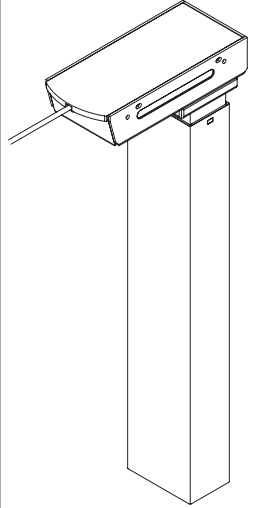
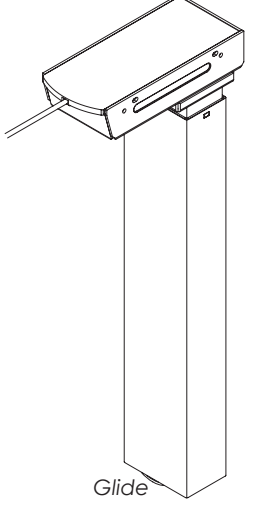
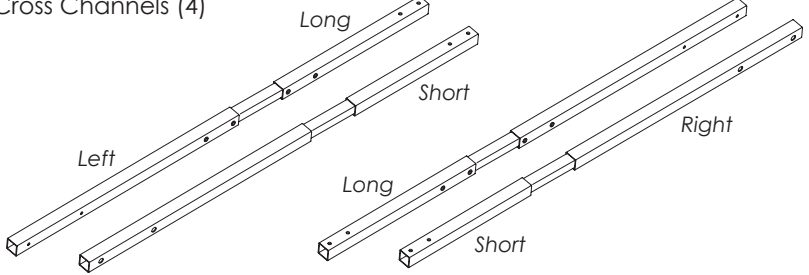
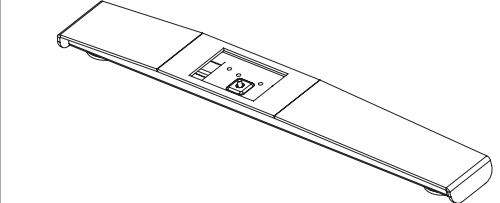
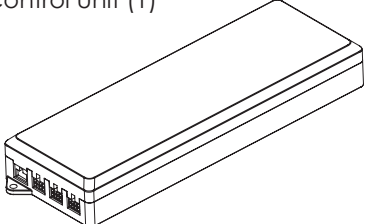
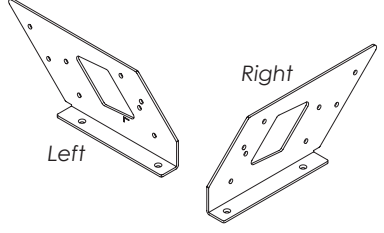
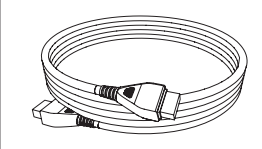
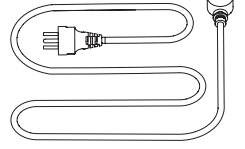
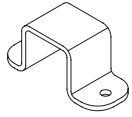

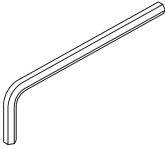
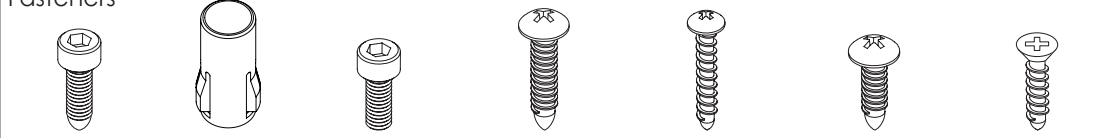

___ = SLV, BLK or WHT



ASSEMBLY AND OPERATION

PLEASE REVIEW these instructions before beginning the assembly procedures. Check that all the parts shown below were provided with your order. Contact your supplier if any materials are missing. Do not discard the packaging until satisfied that the product operates to your satisfaction.

PARTS PROVIDED

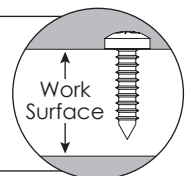
<p>Side Legs with Motor (2)</p> 	<p>Center Leg with Motor (1)</p>  <p>Glide</p>	<p>Cross Channels (4)</p> 		
<p>Feet (2)</p> 		<p>Control Unit (1)</p> 	<p>Center Leg Brackets (2)</p> 	
<p>Motor Cable (3)</p> 	<p>Power Cable (1)</p> 	<p>U-Bracket (8)</p> 	<p>Cord Clip (12)</p> 	<p>5mm Allen Key (1)</p> 
<p>Fasteners</p>  <p>M6x18 (14) Socket Cap Round Point Guides (8) M6x15 (12) Socket Cap M6x20 (28) Round Head M3x20 (3) Round Head M5x15 (2) Round Head M3.5x16 (12) Flat Head</p>				<p>Hole Cover (26)</p> 

CAUTION: Hand-tighten screws only.

ADDITIONAL TOOLS REQUIRED

- Phillips screwdriver
- Power Drill (wood screws only)

CAUTION: Always check that screws used to attach components to the work surface are not too long for the thickness of the surface.



NOTE: The Victory 3 Leg Electric Table Base can be used with 90° or 120° work surfaces. Assembly is the same except for the attachment to the center leg brackets. On the following pages, the illustrations show 90° tables; 120° tables are illustrated only to show the difference in attachment to the center leg brackets.

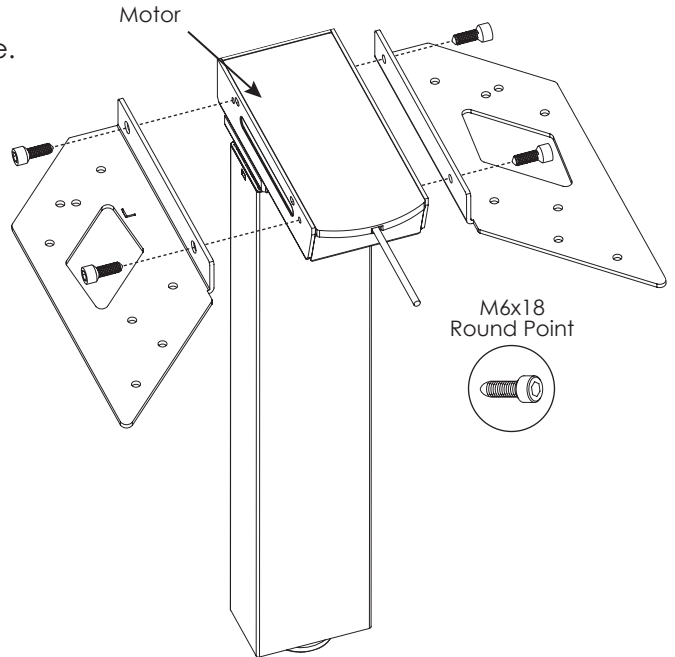
STEP 1

Place the table top facing down on a soft clean surface.

STEP 2

Attach the center leg brackets to the center leg (the leg with the glide on the end opposite the motor).

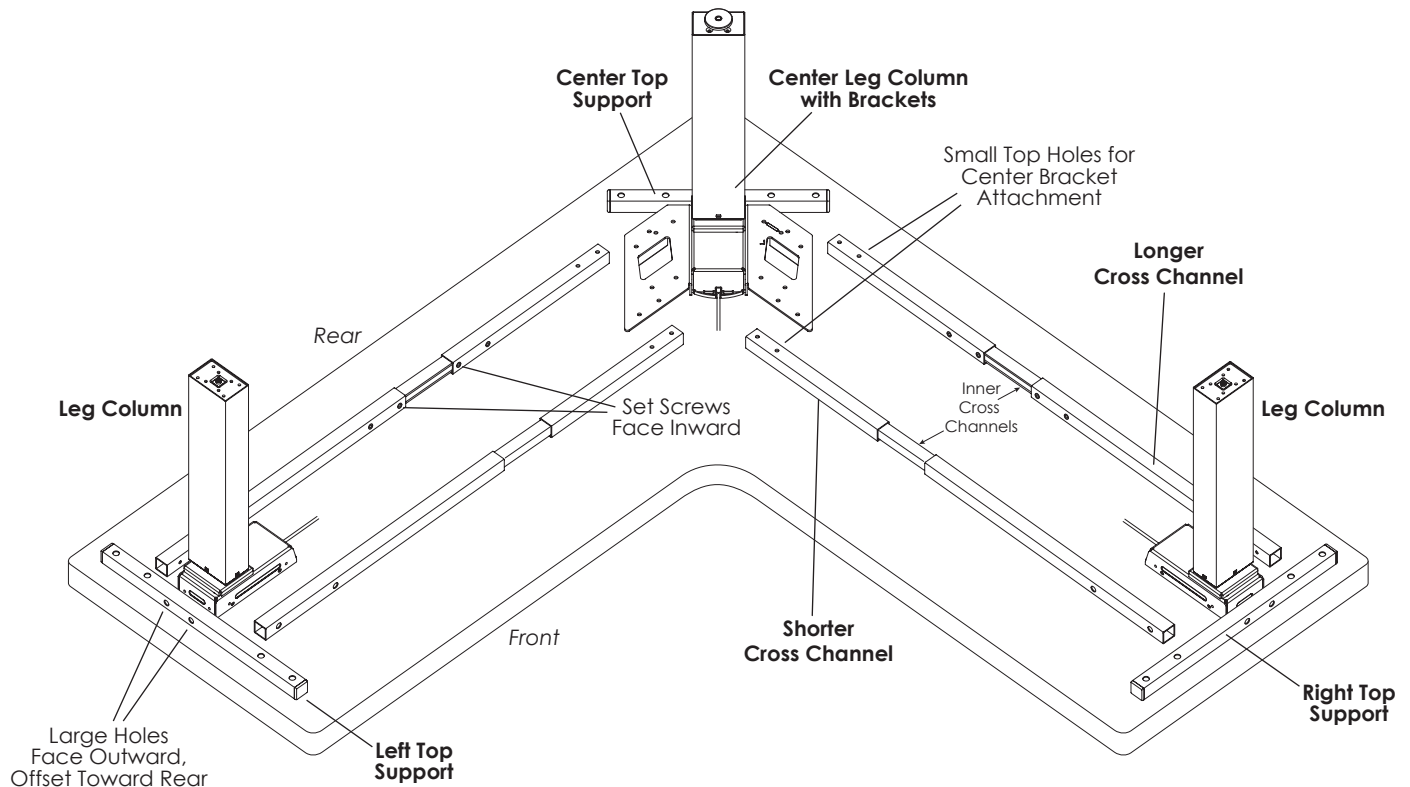
- Lay the center leg on the work surface with the motor pointing up.
- Using the 5mm Allen key and four M6x18 socket cap screws (with round tip), attach the brackets to the motor, as shown.



STEP 3

Arrange the side legs, center leg, cross channels and top supports as shown below.

- Positioning does not need to be exact at this time.
- The longer cross channels are toward the rear of the table.
- The longer sections of the cross channels are toward the sides.
- The set screws on the cross channels face inward, toward each other.
- Holes on the sides of the outer top supports are offset to the rear.

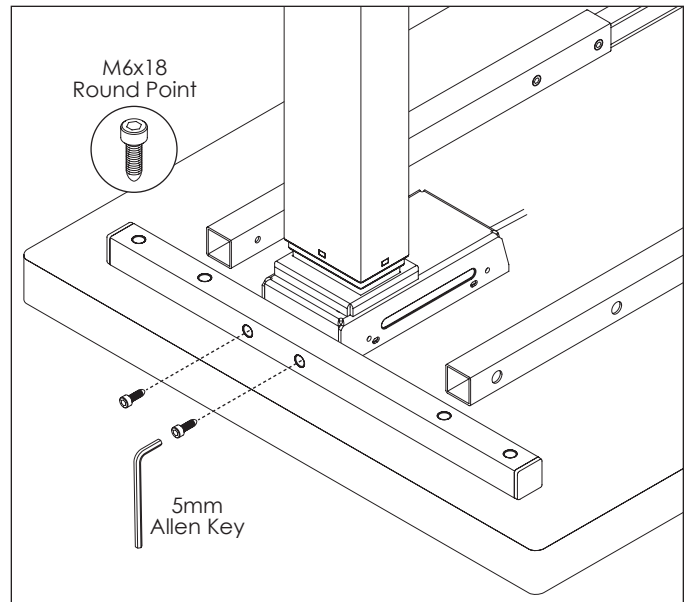


STEP 4

Use the 5mm Allen key to attach the three top supports to the leg columns.

- Use two M6x18 socket head screws (with round point tip) per top support.
- The screws fit through guides in the top supports.
- Be sure the short side of the outer top supports is toward the rear of the work surface.

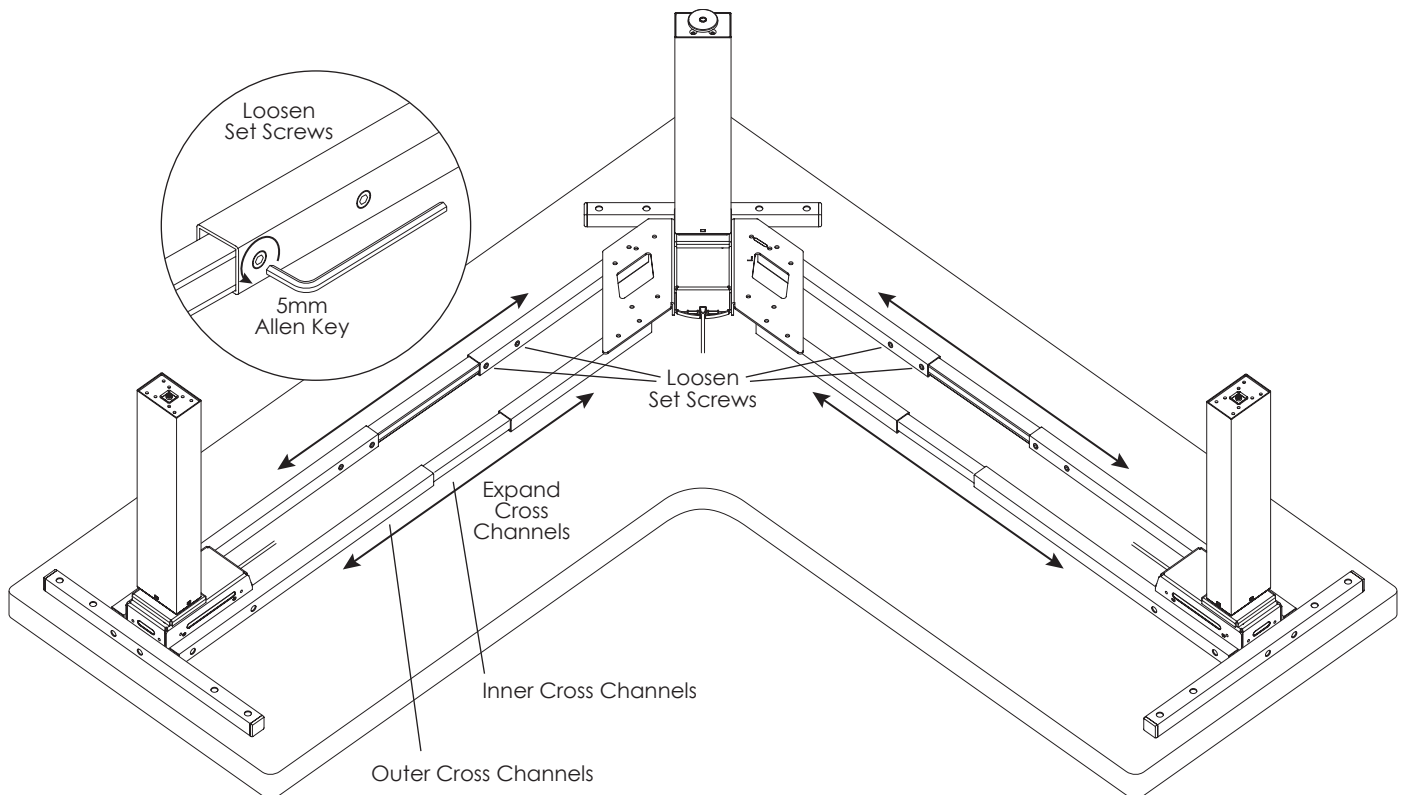
IMPORTANT: Do not use the M6x15 socket head screws with the flat tip.



STEP 5

Adjust the cross channels to their approximate final lengths.

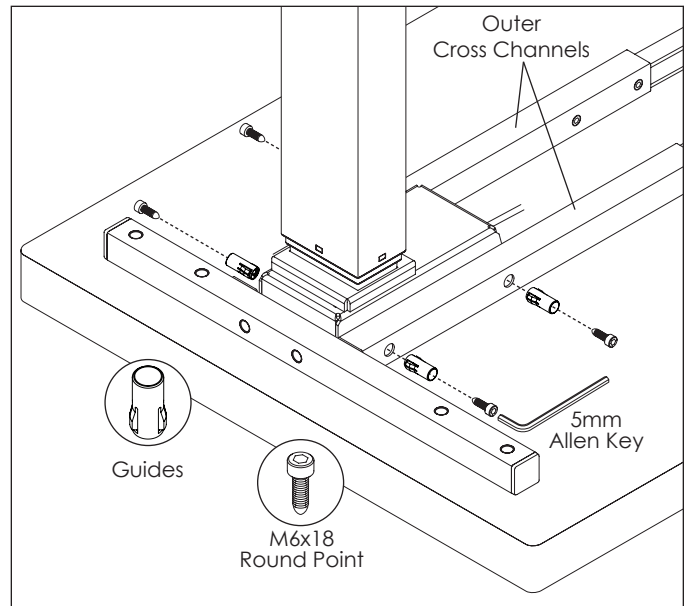
- Use the 5mm Allen key to loosen all 16 set screws on the inward side of the cross channels.
- Position the outer leg columns and top supports so that the outer top supports are approximately 1" (25mm) from the ends of the table and the center leg top support is centered on the angle of the table.
- Expand the cross channels to the outer top supports and under the center leg brackets.
- Center the inner cross channel within the outer cross channels.



STEP 6

Attach the cross outer channels to the outer leg columns with four M6x18 socket head screws per leg.

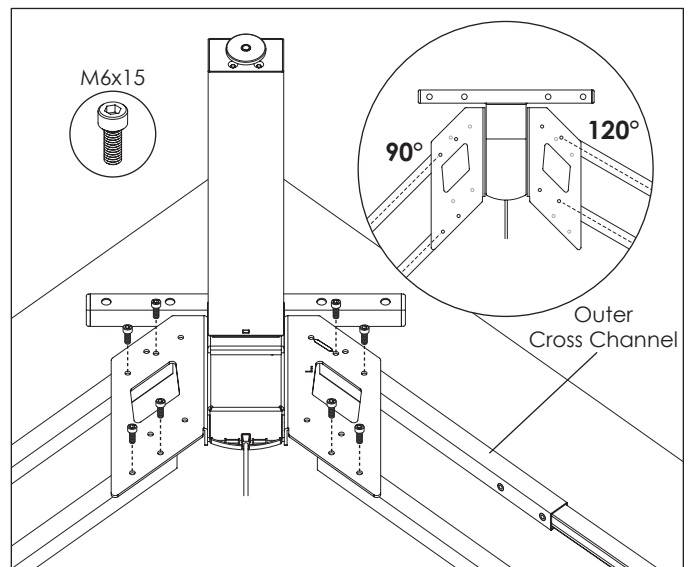
- Use a 5mm Allen key.
- Place the guides into the cross channels.
- The screws fit through guides in the sides of the cross channel.



STEP 7

Attach the other end of the cross channels to the center leg brackets with two M6x15 socket cap screws (with flat tip) per cross channel.

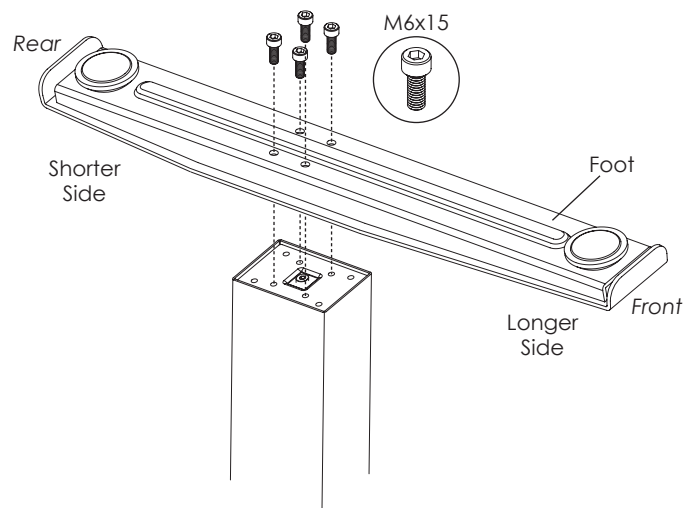
- Place the guides into the cross channels.
- Adjust the cross channels so that their two end holes fit under the appropriate holes of the brackets (see illustration).
- Use a 5mm Allen key to secure the screws.



STEP 8

Attach the feet to the outer leg columns.

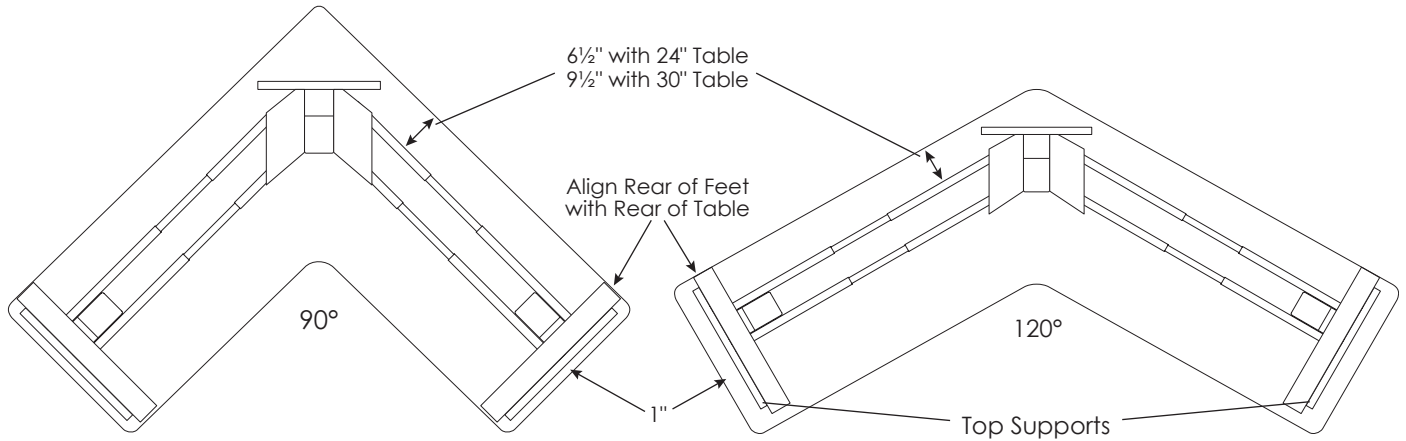
- Place the square opening on the foot over the leg.
- Use the 5mm Allen key and M6x15 socket head screws (with flat tip) to secure the feet in position.
- The shorter side of the foot should be positioned to the rear of the table.



STEP 9

Adjust the position of the frame before attaching it to the table.

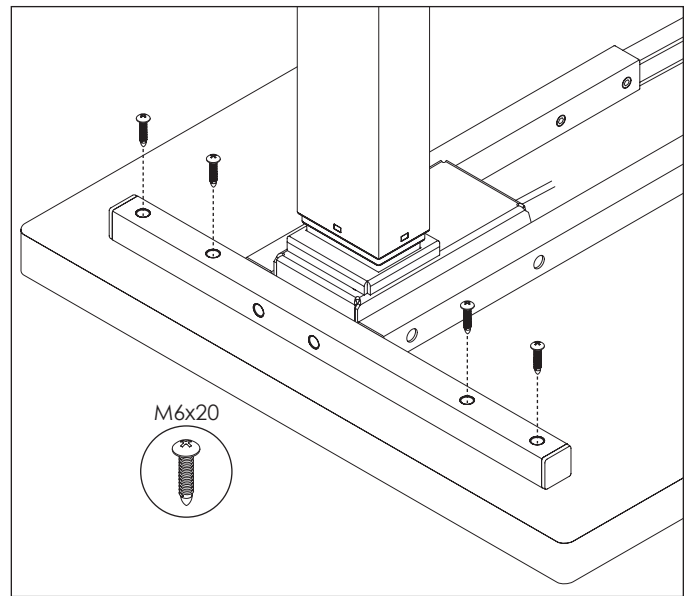
- Check that the top supports on each side are approximately 1" (25mm) from the ends of the table.
- The rear of the feet should align with the rear of the table. With feet for a 24" deep table, the rear cross channels will be 6½" from the rear of the table. With feet for a 30" deep table, the rear cross channels will be 9½" from the rear of the table.



STEP 10

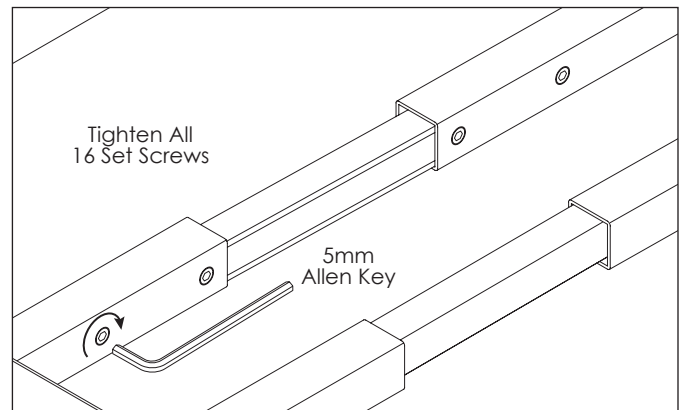
Attach all three top supports to the table.

- Use the M6x20 Phillips round head screws (12 total required).
- The screws fit through guides in the top of the supports.



STEP 11

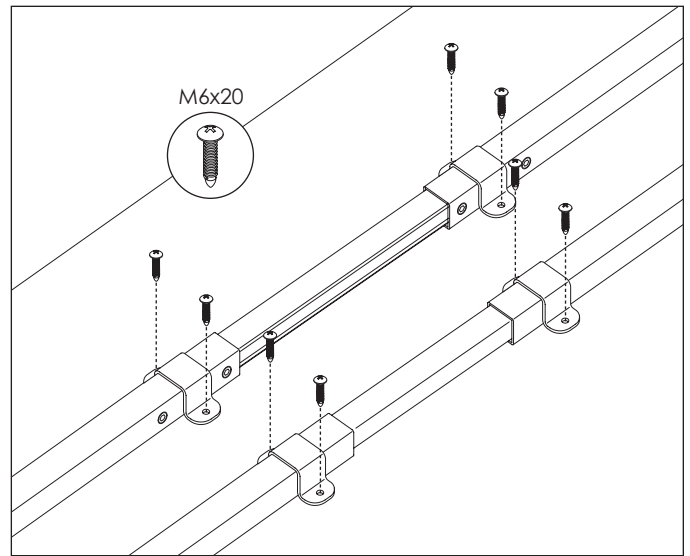
Use the 5mm Allen key to tighten the set screws (16 total) in all four cross channels.



STEP 12

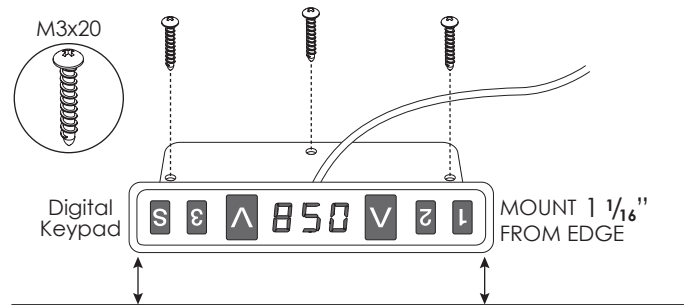
Attach the cross channels to the table.

- Position one U-bracket over each section of cross channel, between the set screws, as shown (four brackets total).
- Use the remaining M6x20 Phillips round head screws (16 total) to fasten the U-brackets to the work surface.

**STEP 13**

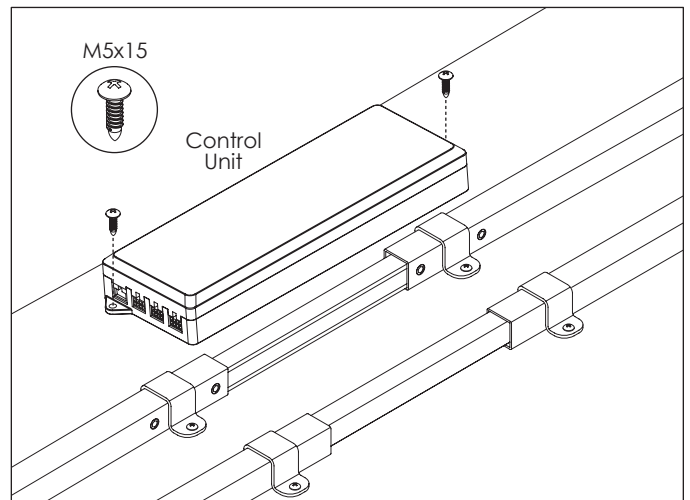
Attach the digital keypad using the three M3-20 Phillips round head screws.

- Position the digital keypad on the left or right side of the table, according to user preference.
- Mount the keypad 1 1/16" from the front edge of the table and expand to make flush. This will prevent overhang and collision with the keypad.

**STEP 14**

Attach the control unit using the two M5-15 Phillips round head screws.

- Position the control unit near the back of the table, on the same side as the digital keypad.
- Be sure that the cable from the keypad can reach the control unit, and the motor cables can extend from the control unit to all three motors.

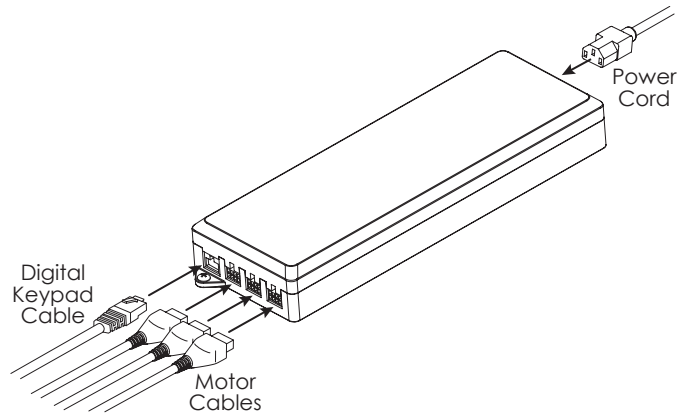


STEP 15

Make connections to the control unit and motors.

- Connect the cable from the digital keypad into the control unit.
- Connect the motor cables from the control unit to each of the three motors on the table legs.
- Connect the power cord to the control unit.
- Plug the power cord into an AC outlet.

CAUTION: Do not operate the table until after initializing the system. See following step.

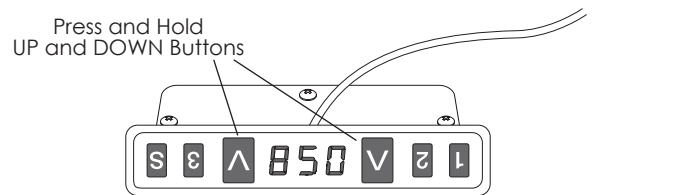


STEP 16

Initialize the system before testing operation.

IMPORTANT: The initialization procedure below must be completed before operating the table.

- Press and hold the UP ▲ and DOWN ▼ buttons simultaneously for more than 3 seconds.
 - The legs will begin to move down at half speed of normal operation.
- Continue to press the UP ▲ and DOWN ▼ buttons.
 - The legs will move down to the lowest position, then rebound 1/16" to 3/16" (2mm to 5mm) and stop.
- Release the UP ▲ and DOWN ▼ buttons at the same time. This completes the initialization procedure.



Note: Until the table is turned upright, the DOWN button points up and the UP button points down.

STEP 14

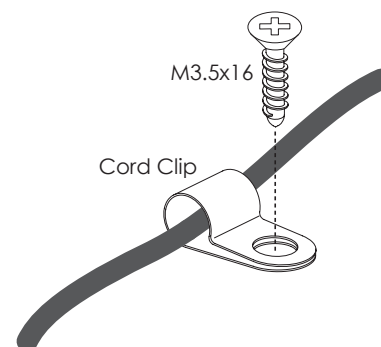
Test operation.

- Press the UP ▲ and DOWN ▼ buttons individually to test operation. End your test with the legs lowered and unplug the power cord.
- If there are problems with operation, check that all cable and cord connections are secure. If problems continue, call ESI Customer Service.

STEP 17

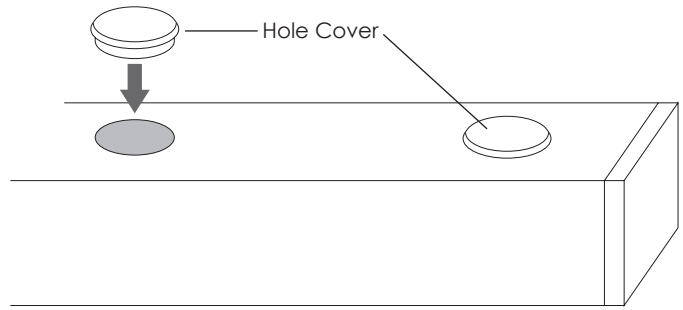
Use the cord clips to secure the cables and cords in position.

- Cables must not interfere with table operation.
- Cables must not interfere with the user.
- Use the M3.5x16 Phillips flat head screws to fasten the cord clips to the table.



STEP 18

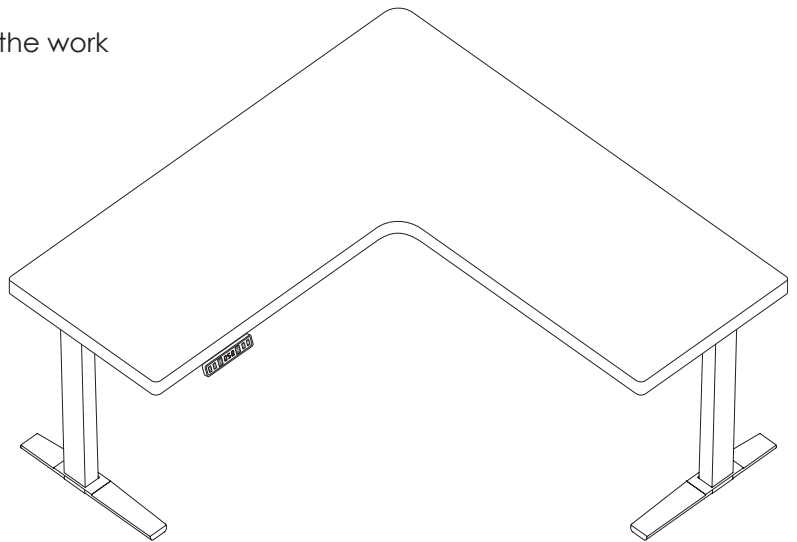
If desired, snap hole covers over all screw holes with guides (26 total).

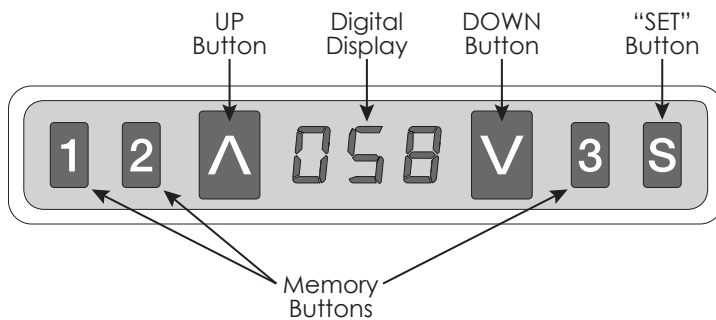
**STEP 19**

With the assistance of a helper, turn the table upright and place it in its final position.

IMPORTANT: There must be 1" (25mm) of clearance on all sides of the work surface (and other moving parts) to ensure free, unobstructed movement.

- Adjust the leveling glides on the feet to level the work surface, if necessary.
- Plug the power cord into an AC outlet.
- See the following pages for operating procedures.





CAUTION: The initialization procedure must be completed before operating the table. See Step 16 on page 8.

GENERAL OPERATION

Move the table up or down by pressing UP ▲ or DOWN ▼ until the work surface reaches the desired height.

The table will continue to move up or down until you release the button or until the maximum or minimum height is reached.

MEMORY STOP POSITIONS

Up to three memory stop positions can be used to save specific heights of the work surface. To set a specific position:

- Raise or lower the table to the position you want to save.
 - The display on the digital keypad shows the work surface height.
- Press the **S** button. Then press the desired memory button — **1**, **2** or **3** — within the next 3 seconds.
 - Position **1**, **2** or **3** is now saved.

To move the work surface to a memory stop position:

- Press and hold the desired memory button, **1**, **2** or **3**.
 - The work surface will move to the saved position and then stop.

LOWER STOP POSITION

This feature can be used to set the minimum height of the table.

- Raise or lower the table to the desired minimum height.
- Press and hold **S**, then press and hold **1**. Continue to press both buttons for about 3 seconds.
 - The letter “L” appears on the display. This means the minimum height of the table is locked at its current position.
- Release both buttons.

To erase the lower stop position:

- Press and hold **S**, then press and hold **2**. Continue to press both buttons for about 3 seconds.
 - The letter “C” appears on the display, indicating the lower stop position has been erased.
- Release both buttons.

Table movement stops when you release the UP ▲ or DOWN ▼ button.

If you release the memory button before the saved position is reached, table movement will stop.

If there is a memory stop position lower than the lower stop position, the memory stop will be erased..

CHANGING THE HEIGHT DISPLAY UNITS

This function allows you to change the display units from centimeters to inches or the other way around.

- Press and hold **S**, then press and hold the DOWN ▼ button.
Continue to press both buttons for about 3 seconds.
 - The height information will change between centimeters and inches.
- Release both buttons.

ADJUSTING THE DIGITAL KEYPAD READOUT

This function allows you to change the readout of the digital display.

- Verify the display unit format (inches or mm), set the table to any height, measure the actual height, and write down the number (inches or mm).
- Press and hold the **S** button. Then press and hold the ▲ button for about 3 seconds until the first number on the digital display flashes.
- Release the buttons then press ▲ or ▼ to change the first number you measured.
- Press the **S** button again. The 2nd number on the digital display flashes.
- Press ▲ or ▼ to change the 2nd number you measured.
- Press the **S** button again. The 3rd number on the digital display flashes.
- Press ▲ or ▼ to change the 3rd number you measured.
- Press the **S** button to complete the operation.

RESET THE CONTROL UNIT TO FACTORY SETTINGS

To reset the control unit to factory settings, re-initialize the table.

- Press and hold the UP ▲ and DOWN ▼ buttons simultaneously for more than 3 seconds.
 - The legs will begin to move down at half speed of normal operation.
- Continue to press the UP ▲ and DOWN ▼ buttons.
 - The legs will move down to the lowest position, then rebound 1/16" to 3/16" (2mm to 5mm) and stop.
- Release the UP ▲ and DOWN ▼ buttons at the same time. This completes the initialization procedure.

If one or more motors are changed in a system, the control unit must be reset to factory settings.



800.833.3746 | esiergo.com