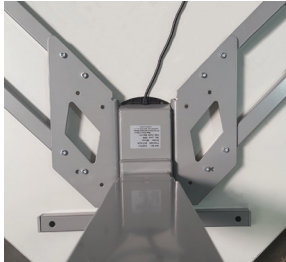


Victory-LX™ 3-Leg

electric table base

Victory-LX 3-Leg

electric table base



universal
corner bracket



drawers easily slide over feet



locking casters



digital keypad

Product specs

- electric height adjustment
- 330 lbs. base lifting capacity
- 1.4"/sec adjustment speed
- 26.1" height adjustment range
 - 21.6"–47.7" (low/high)
(excluding worksurface)
- Three stage adjustable legs
- Adjustable width frame
- Soft start
- Anti-collision safety feature
- Locking casters are available
- Three motors
- ADA compliant
- Exceeds BIFMA x5.5 requirements
- Meets BIFMA GI-2013 ergonomic standards when used with a 1.0" worksurface
- Works with peds or storage with 20.0" max. height
- Low standby power consumption
- Steel frame and foot construction
- Can be configured for 90° or 120° with a universal bracket
- Warranty: 15yr. structural / 7yr. mechanical

Digital Keypad

- Digital programmable switch with three memory settings
- Keypad can slide under worksurface to store out of the way

esi

800.833.3746
esiergo.com

Victory-LX 3-Leg

electric table base

Large equal corner



Dimensions

60"wl x 60"wr x 24"d
 72"wl x 72"wr x 24"d
 84"wl x 84"wr x 24"d
 60"wl x 60"wr x 30"d
 72"wl x 72"wr x 30"d
 84"wl x 84"wr x 30"d

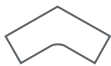
Base model

3VT-LX-C4848-24-___
 3VT-LX-C4848-24-___
 3VT-LX-C4848-24-___
 3VT-LX-C4848-30-___
 3VT-LX-C4848-30-___
 3VT-LX-C4848-30-___

Surface model

3EC606024__
 3EC727224__
 3EC848424__
 3EC606030__
 3EC727230__
 3EC848430__

120 degree



Dimensions

48"wl x 48"wr x 24"d
 60"wl x 60"wr x 24"d
 72"wl x 72"wr x 24"d
 48"wl x 48"wr x 30"d
 60"wl x 60"wr x 30"d

Base model

3VT-LX-C3636-24-___
 3VT-LX-C4848-24-___
 3VT-LX-C4848-24-___
 3VT-LX-C3636-30-___
 3VT-LX-C4848-30-___

Surface model

120-4824__
 120-6024__
 120-7224__
 120-4830__
 120-6030__

Offset corner left



Dimensions

60"wl x 48"wr x 24"d
 72"wl x 48"wr x 24"d
 72"wl x 60"wr x 24"d
 84"wl x 48"wr x 24"d
 84"wl x 60"wr x 24"d
 84"wl x 72"wr x 24"d
 60"wl x 48"wr x 30"d
 72"wl x 48"wr x 30"d
 72"wl x 60"wr x 30"d
 84"wl x 48"wr x 30"d
 84"wl x 60"wr x 30"d
 84"wl x 72"wr x 30"d

Base model

3VT-LX-C4836-24-___
 3VT-LX-C4836-24-___
 3VT-LX-C4848-24-___
 3VT-LX-C4836-24-___
 3VT-LX-C4848-24-___
 3VT-LX-C4848-24-___
 3VT-LX-C4836-30-___
 3VT-LX-C4836-30-___
 3VT-LX-C4836-30-___
 3VT-LX-C4848-30-___
 3VT-LX-C4848-30-___
 3VT-LX-C4848-30-___

Surface model

3OCL604824__
 3OCL724824__
 3OCL726024__
 3OCL844824__
 3OCL846024__
 3OCL847224__
 3OCL604830__
 3OCL724830__
 3OCL726030__
 3OCL844830__
 3OCL846030__
 3OCL847230__

Offset corner right



Dimensions

48"wl x 60"wr x 24"d
 48"wl x 72"wr x 24"d
 60"wl x 72"wr x 24"d
 48"wl x 84"wr x 24"d
 60"wl x 84"wr x 24"d
 72"wl x 84"wr x 24"d
 48"wl x 60"wr x 30"d
 48"wl x 72"wr x 30"d
 60"wl x 72"wr x 30"d
 48"wl x 84"wr x 30"d
 60"wl x 84"wr x 30"d
 72"wl x 84"wr x 30"d

Base model

3VT-LX-C4836-24-___
 3VT-LX-C4836-24-___
 3VT-LX-C4848-24-___
 3VT-LX-C4836-24-___
 3VT-LX-C4848-24-___
 3VT-LX-C4848-24-___
 3VT-LX-C4836-30-___
 3VT-LX-C4836-30-___
 3VT-LX-C4848-30-___
 3VT-LX-C4836-30-___
 3VT-LX-C4848-30-___
 3VT-LX-C4848-30-___
 3VT-LX-C4848-30-___

Surface model

3OCR486024__
 3OCR487224__
 3OCR607224__
 3OCR488424__
 3OCR608424__
 3OCR728424__
 3OCR486030__
 3OCR487230__
 3OCR607230__
 3OCR488430__
 3OCR608430__
 3OCR728430__

Caster Kit

- Set of caster wheels for table bases
- Increases height by 2.0"
- Locking wheels for security

MODEL # CASTERKIT-LX-3LEG-SLV
 MODEL # CASTERKIT-LX-3LEG-BLK
 MODEL # CASTERKIT-LX-3LEG-WHT

Available base finishes

- Silver -SLV
- Black -BLK
- White -WHT

Worksurface shapes - LT

Multiple worksurface shapes are available. See chart to the left for full list. Worksurfaces can be come in a variety of laminates.

Edge Detail

Worksurfaces ship with a standard square profile edge and coordinating 3mm edge band. Additional edge detail profiles are available.

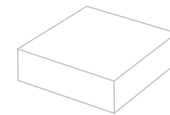


Table bases can be purchased independently or combined with a worksurface. Worksurfaces can only be purchased with a table base. See laminate guide worksurface for details. ESI worksurfaces are made to exact dimensions. If nominal sizing is needed, please specify when ordering.

esi

800.833.3746
 esi.org.com

Victory-LX 3-Leg

electric table base

Penninsula left



Dimensions

72"wl x 48"wr x 30"d
72"wl x 60"wr x 30"d
84"wl x 48"wr x 30"d
84"wl x 60"wr x 30"d
84"wl x 72"wr x 30"d

Base model

3VT-LX-C4836-30-___
3VT-LX-C4848-30-___
3VT-LX-C4836-30-___
3VT-LX-C4848-30-___
3VT-LX-C4848-30-___

Surface model

3PL724830__
3PL726030__
3PL844830__
3PL846030__
3PL847230__

Caster Kit

- Set of caster wheels for table bases
- Increases height by 2.0"
- Locking wheels for security

MODEL # CASTERKIT-LX-3LEG-SLV
MODEL # CASTERKIT-LX-3LEG-BLK
MODEL # CASTERKIT-LX-3LEG-WHT

Penninsula right



Dimensions

48"wl x 72"wr x 30"d
60"wl x 72"wr x 30"d
48"wl x 84"wr x 30"d
60"wl x 84"wr x 30"d
72"wl x 84"wr x 30"d

Base model

3VT-LX-C4836-30-___
3VT-LX-C4848-30-___
3VT-LX-C4836-30-___
3VT-LX-C4848-30-___
3VT-LX-C4848-30-___

Surface model

3PR487230__
3PR607230__
3PR488430__
3PR608430__
3PR728430__

Available base finishes

- Silver -SLV
- Black -BLK
- White -WHT

Worksurface shapes - LT

Multiple worksurface shapes are available. See chart to the left for full list. Worksurfaces can be come in a variety of laminates.

Edge Detail

Worksurfaces ship with a standard square profile edge and coordinating 3mm edge band. Additional edge detail profiles are available.

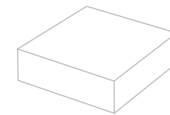


Table bases can be purchased independently or combined with a worksurface. Worksurfaces can only be purchased with a table base. See laminate guide worksurface for details. ESI worksurfaces are made to exact dimensions. If nominal sizing is needed, please specify when ordering.

esi

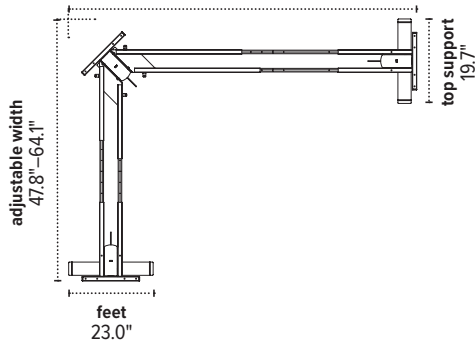
800.833.3746
esiergo.com

Victory-LX 3-Leg

electric table base

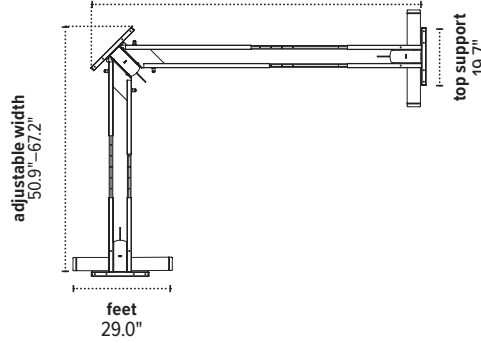
3VT-LX-C4836-24

adjustable width
59.1"–82.2"



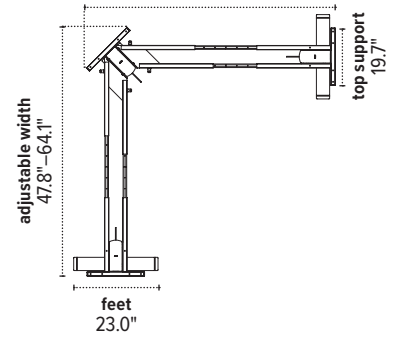
3VT-LX-C4836-30

adjustable width
62.2"–85.3"



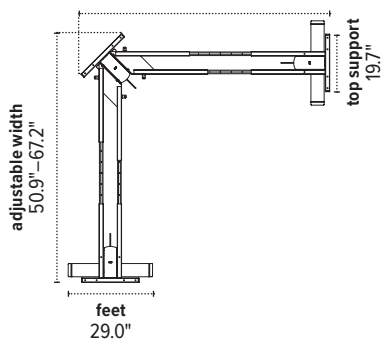
3VT-LX-C3636-24

adjustable width
47.8"–64.1"



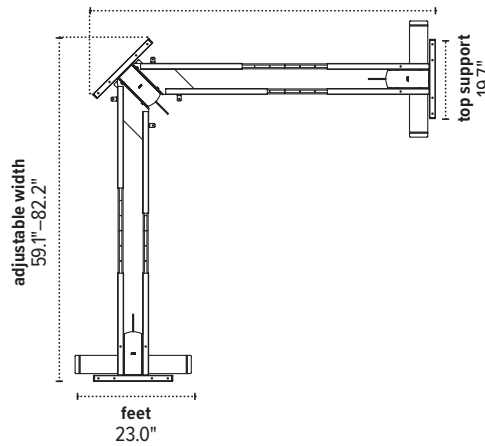
3VT-LX-C3636-30

adjustable width
50.9"–67.2"



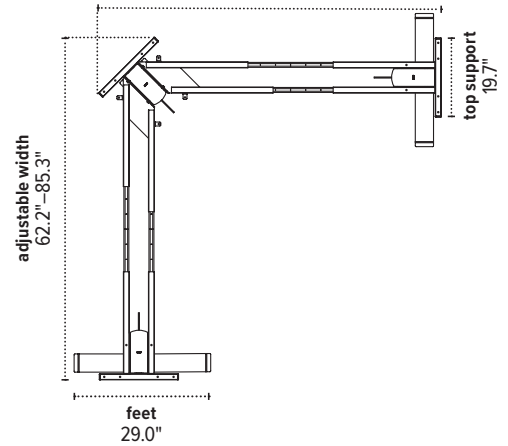
3VT-LX-C4848-24

adjustable width
59.1"–82.2"



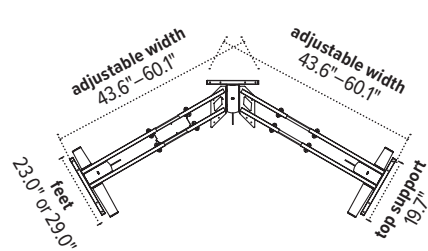
3VT-LX-C4848-30

adjustable width
62.2"–85.3"



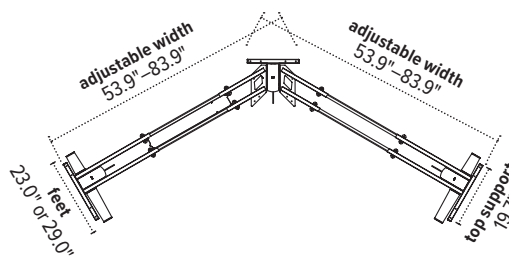
3VT-LX-C3636-24 & 3VT-LX-C3636-30

120° configuration



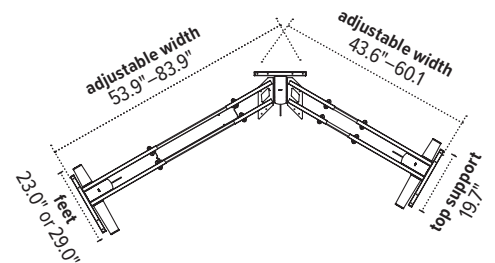
3VT-LX-C4848-24 & 3VT-LX-C4848-30

120° configuration



3VT-LX-C4836-24 & 3VT-LX-C4836-30

120° configuration



The base dimensions as shown are actual.

esi

800.833.3746
esigo.com