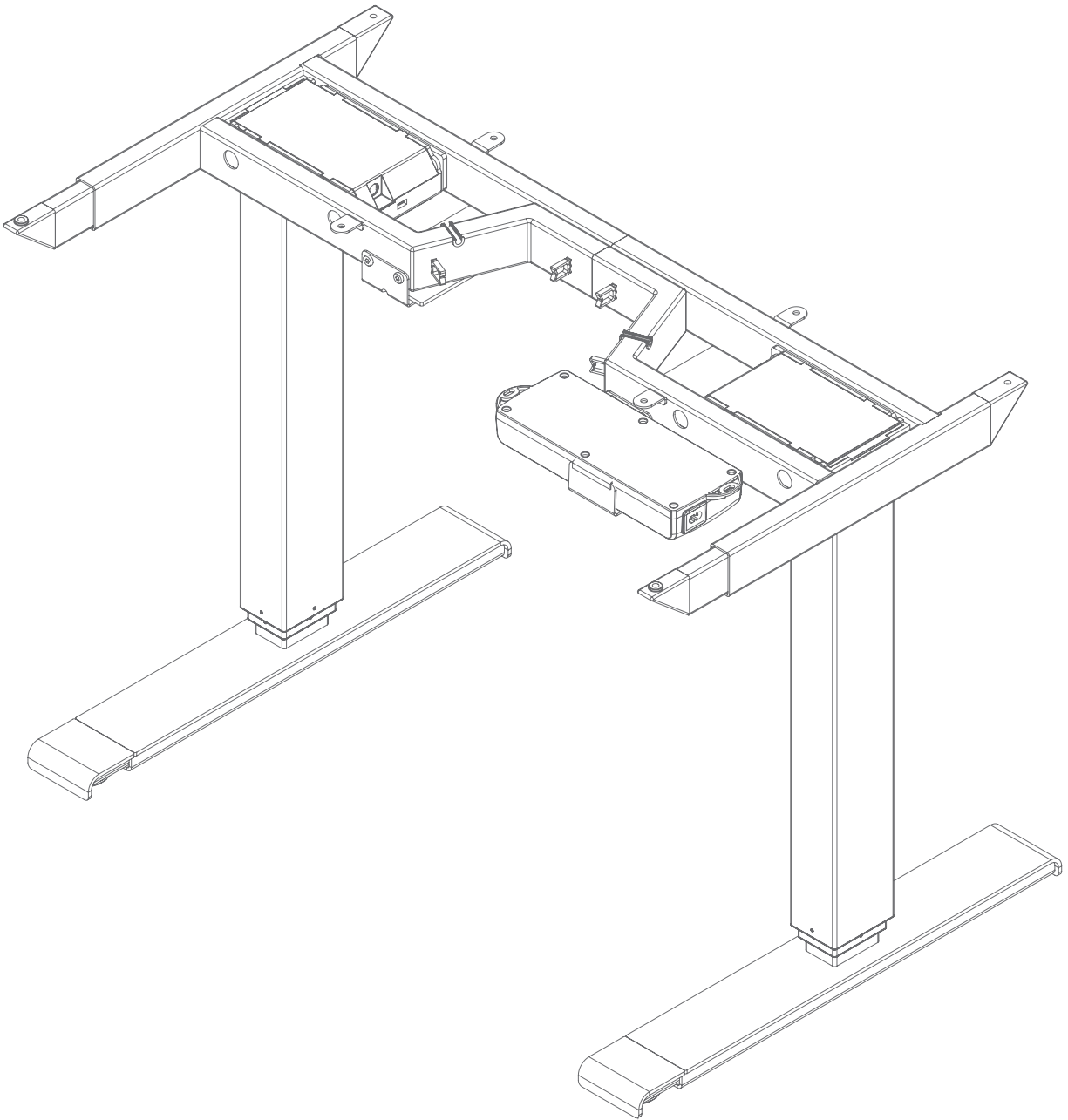


ALL-FLEX: Disassembly Instructions

ALL-FLEX Assembled



ALL-FLEX: Disassembly Instructions

ALL-FLEX Components for breakdown

Material Identification

A: M6x12 Screws

- Steel 

B: Control Unit Bracket

- Steel 

C: Ø5x18 Wood Screws

- Steel 

D: Control Unit

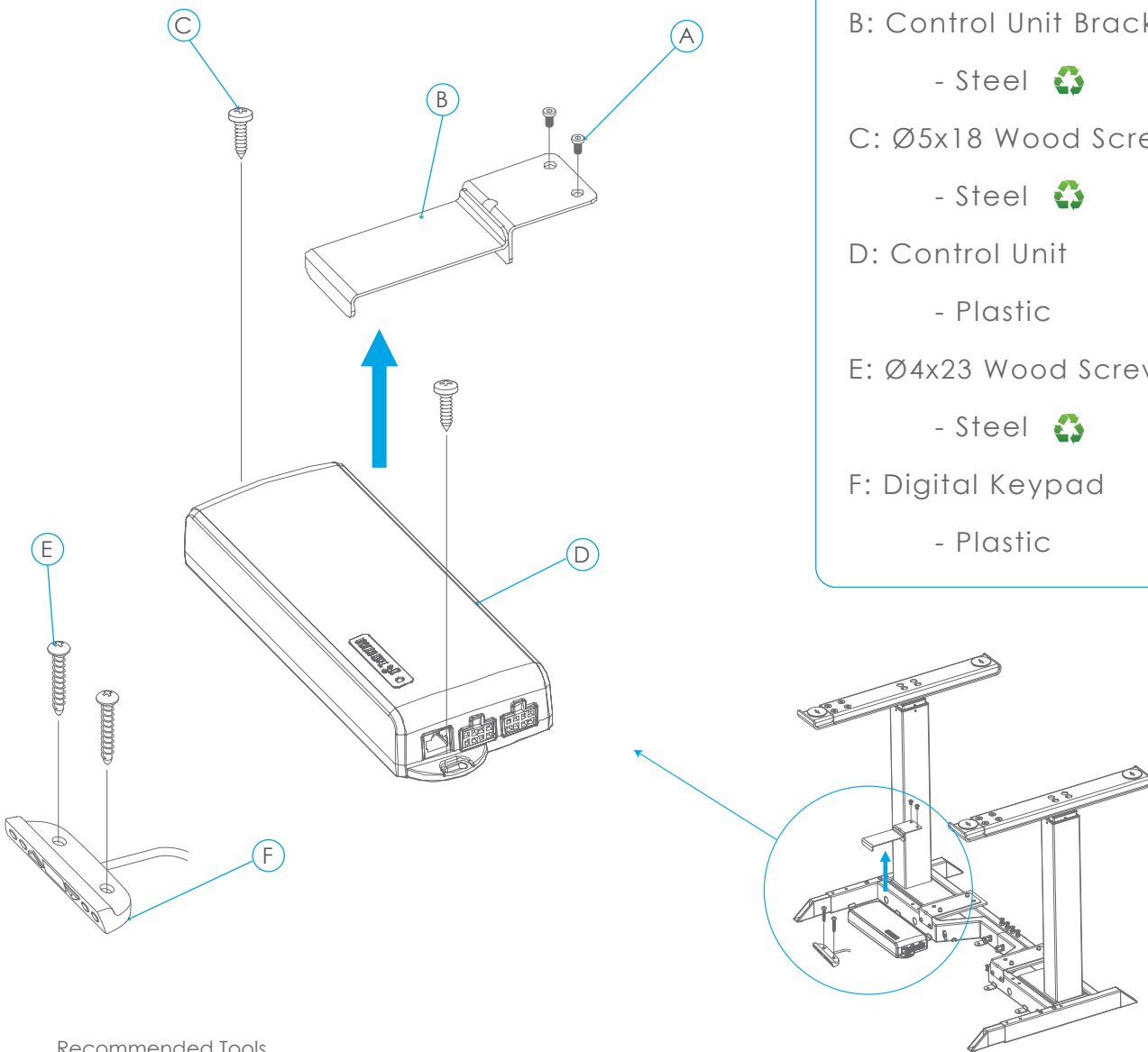
- Plastic

E: Ø4x23 Wood Screws

- Steel 

F: Digital Keypad

- Plastic



Recommended Tools



Gloves



Goggles



4mm Allen Wrench





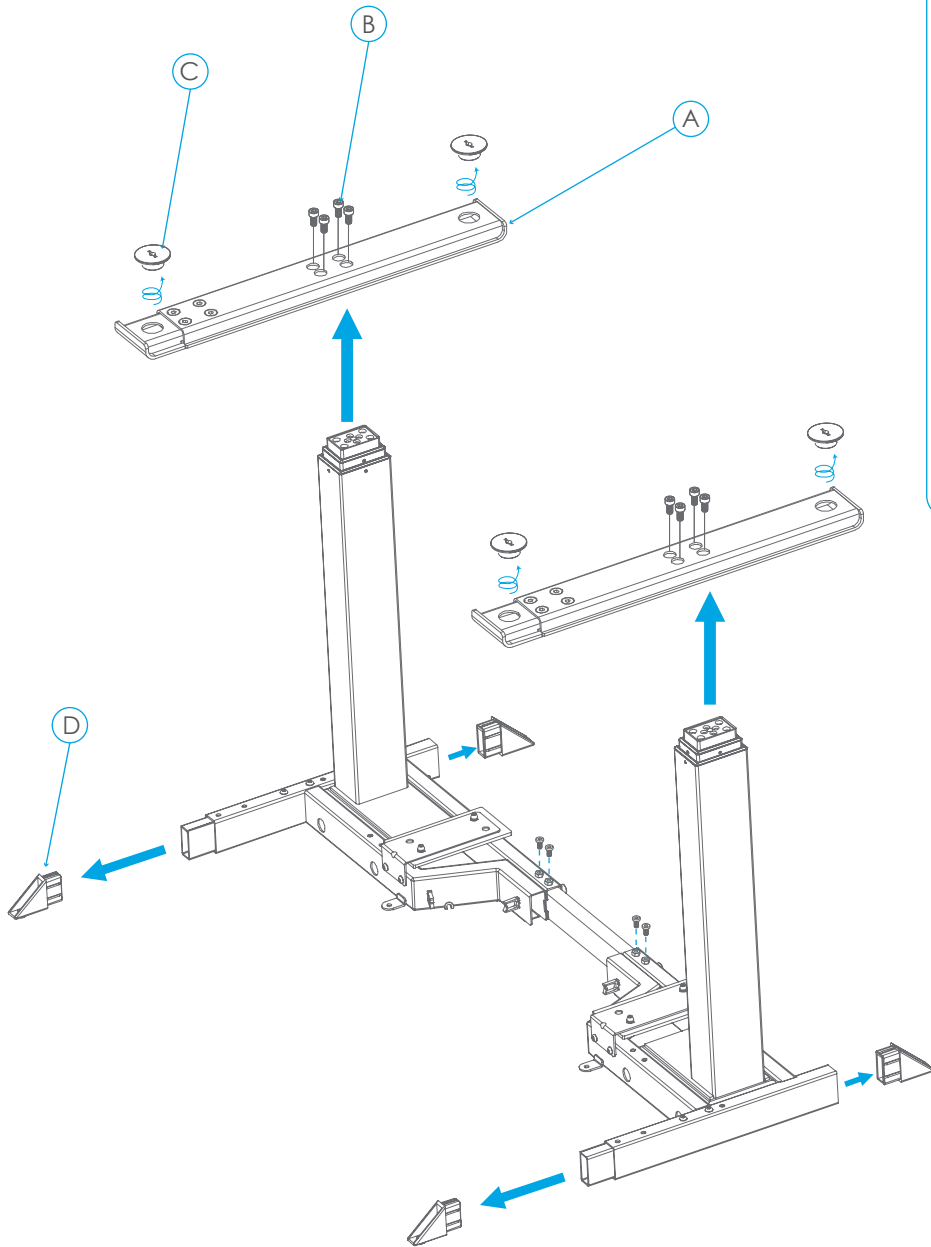
Phillips Screwdriver

ALL-FLEX: Disassembly Instructions

ALL-FLEX Components for breakdown

Material Identification

- A: Base
 - Steel 
- B: M10x20 Screws
 - Steel 
- C: Feet
 - Plastic
- D: Top Support Caps
 - Plastic



Recommended Tools



Gloves



Goggles



5mm Allen Wrench



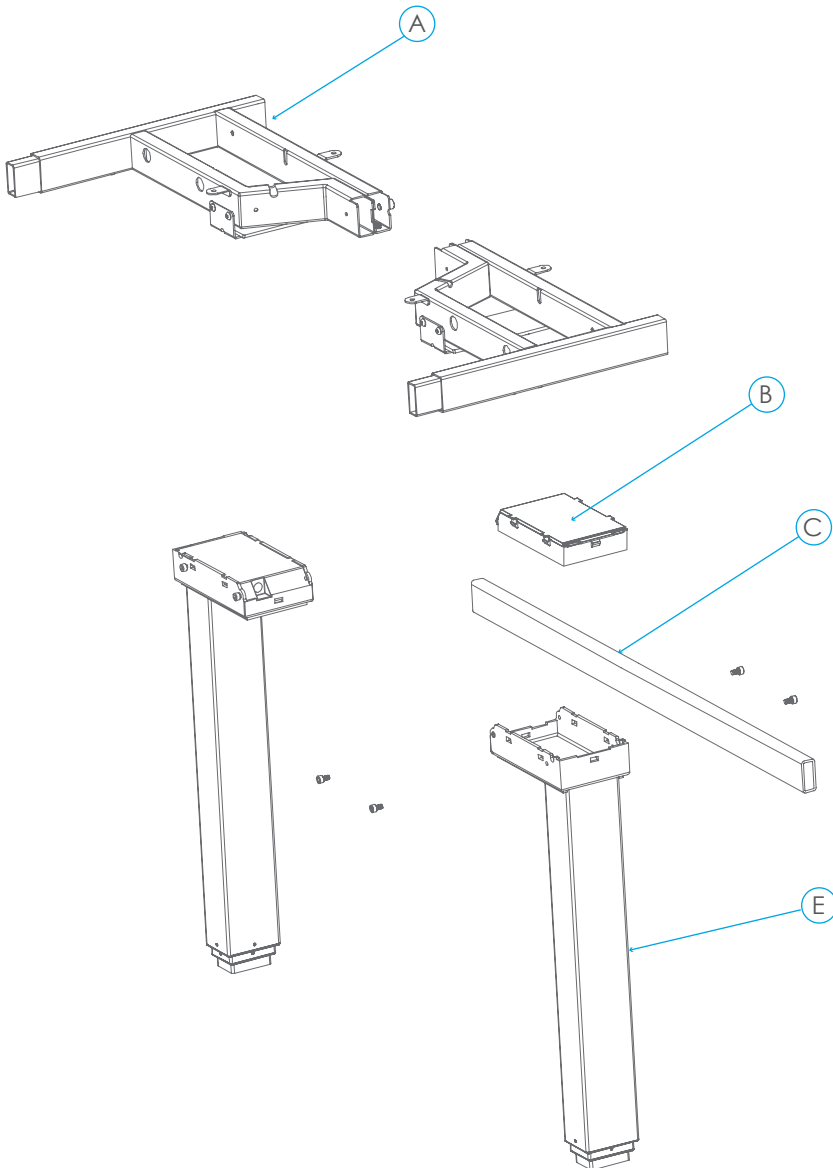
Phillips Screwdriver



Flathead Screwdriver

ALL-FLEX: Disassembly Instructions

ALL-FLEX Components for breakdown



Material Identification

A: Frame

- Steel 

B: Leg Motors (Optional)

- Plastic

C: Channel

- Steel 

D: M6x12 Screws

- Plastic

E: Legs

- Steel 

Recommended Tools



Gloves



Goggles



4mm Allen Wrench



Phillips Screwdriver