

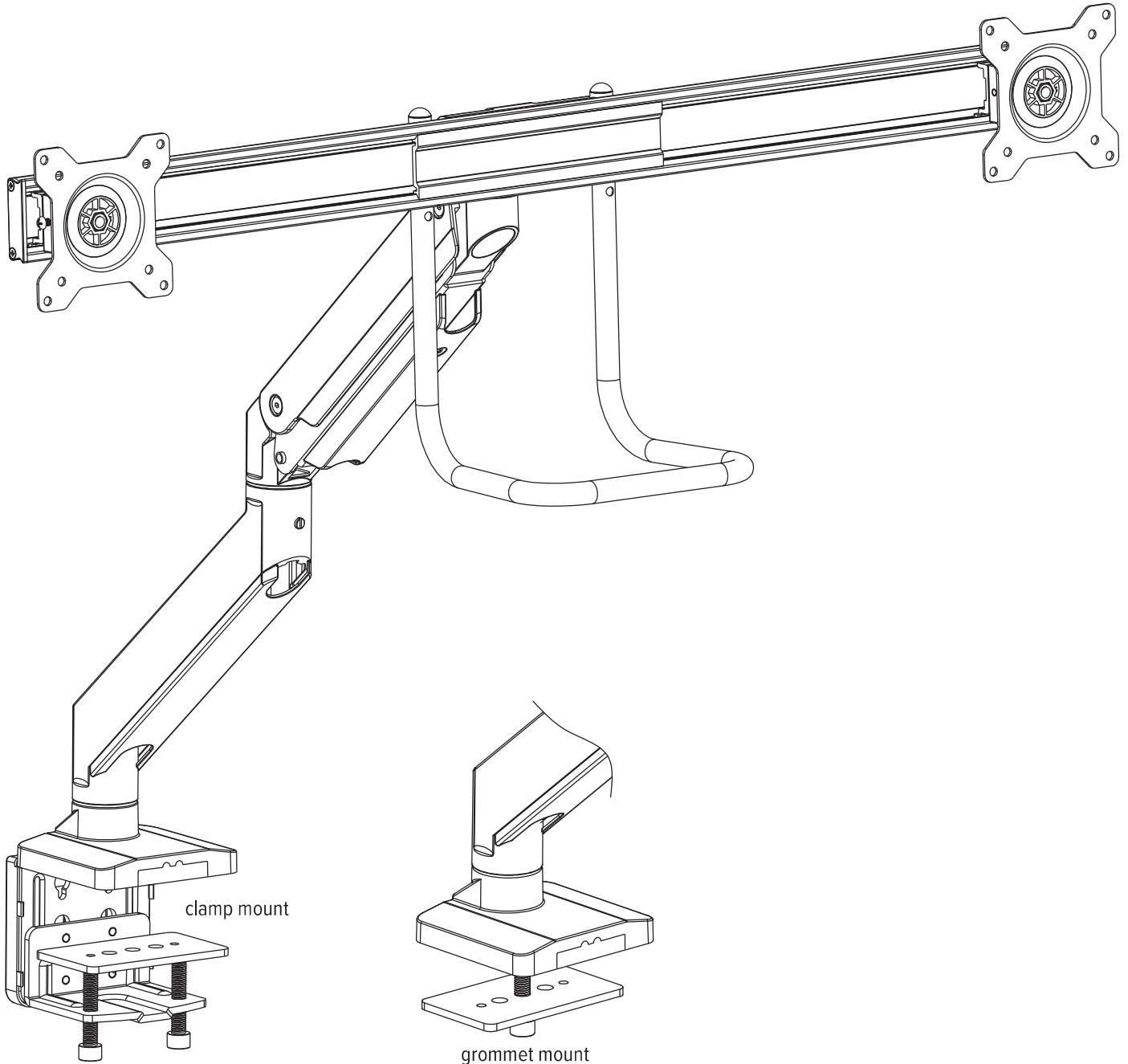


Installation instructions

Eppa™ 2-Max

Heavy duty dual monitor arm with crossbar

Model # EPPA2-MAX-SLV



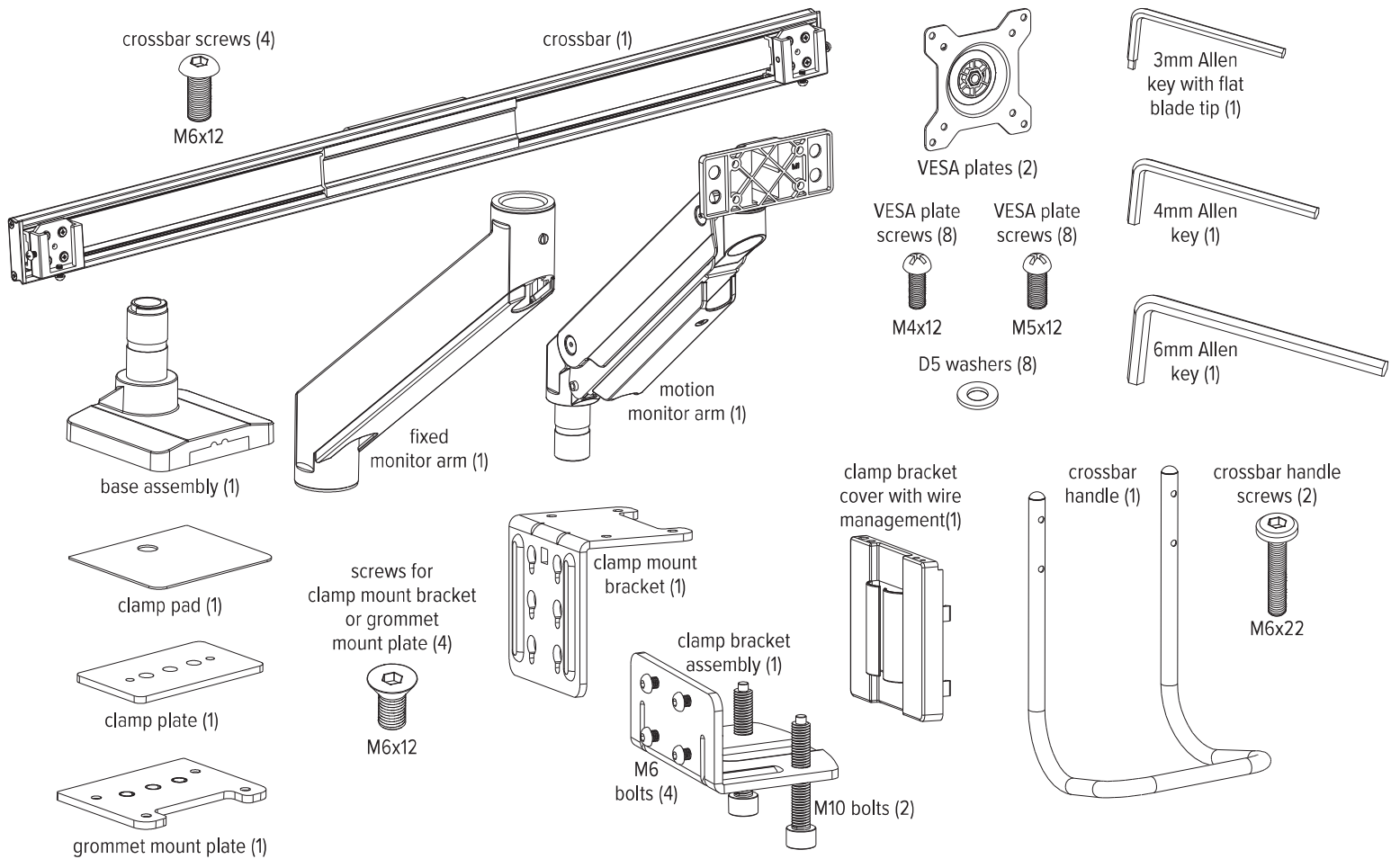


Caution

- Hand tighten screws only. Do not use power tools.
- Do not position the monitor behind the mounting location of the base.

Please review these instructions before beginning the installation. Use the illustrations below to check that all the components needed for your installation were provided with your order. Do not discard the packaging until the product works to your satisfaction.

Components and tools



Additional tools required

- Phillips screwdriver

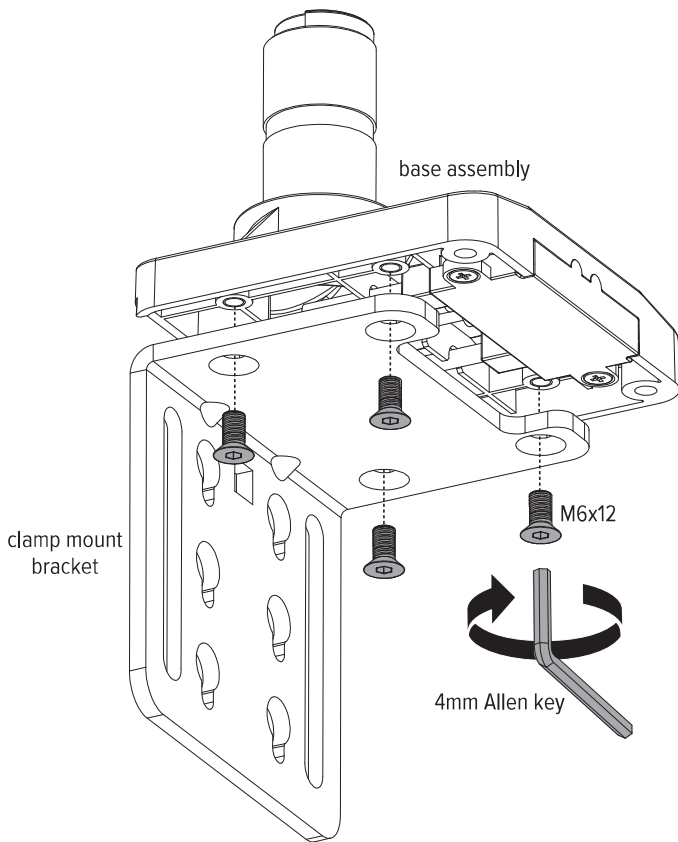


If using optional grommet mounting method:

- Replace steps #1 to #6 with steps A to C on page 11. Then proceed to step 7.
- Follow steps #1 to #6 if using the standard clamp mount method.

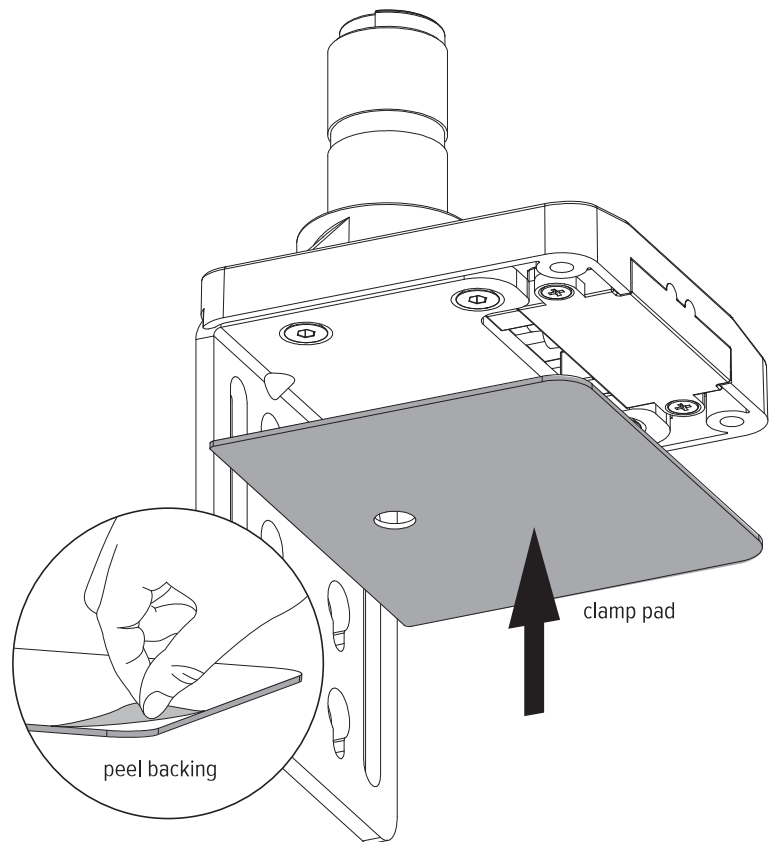
Step #1: attach clamp mount bracket to base

- Attach the clamp mount bracket to the base assembly with the four M6x12 socket cap screws, as shown.
- Use the 4mm Allen key to tighten the screws securely.



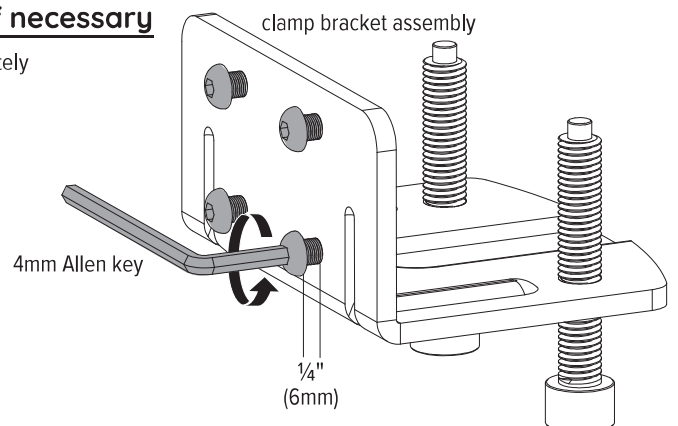
Step #2: attach clamp pad to base assembly

- Peel the backing from the adhesive side of the clamp pad.
- Adhere the pad to the bottom of the base assembly, as shown. The pad protects the worksurface.



Step #3: loosen the screws on the clamp bracket assembly, if necessary

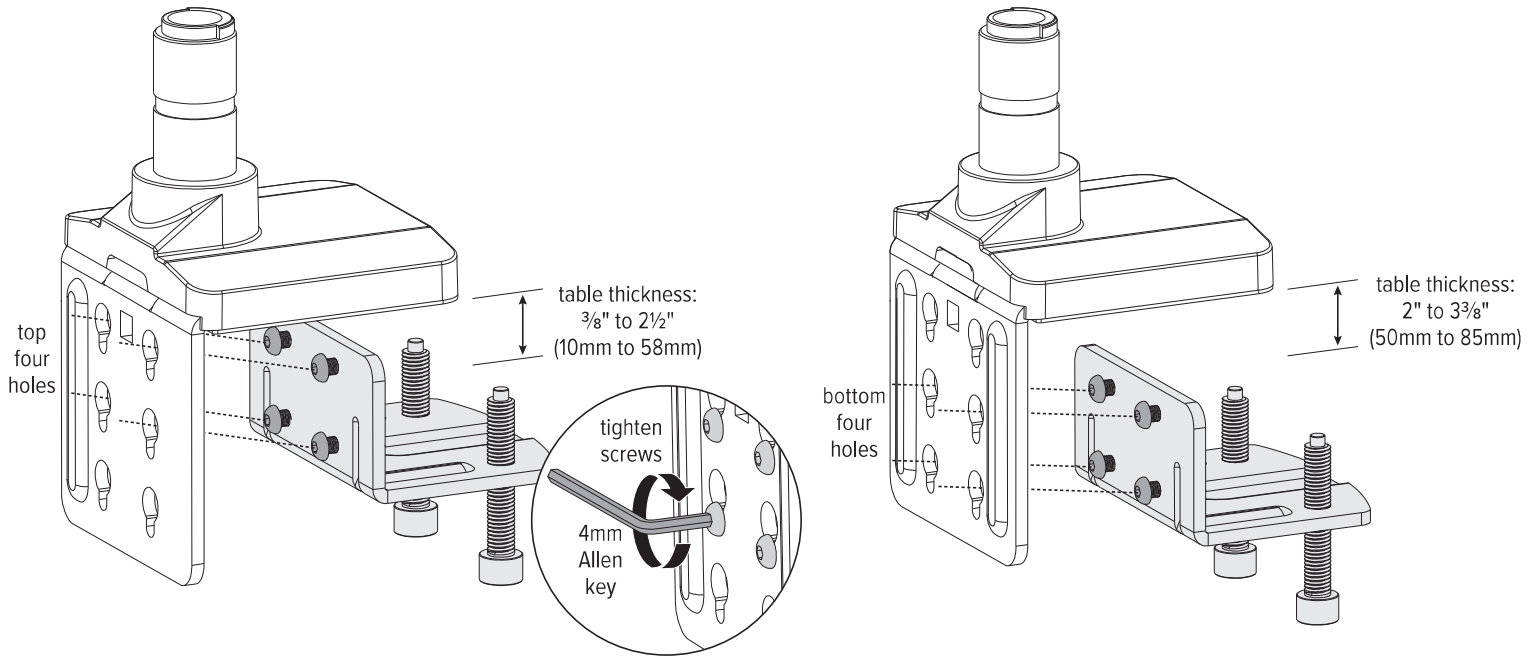
- Use the 4mm Allen key to loosen the four screws on the assembly so that there is approximately 1/4" (6mm) of space between the screw head and bracket.
 - The 1/4" space allows the screw heads to fit into the narrow part of the keyhole openings on the clamp bracket (see steps #4 and #5).





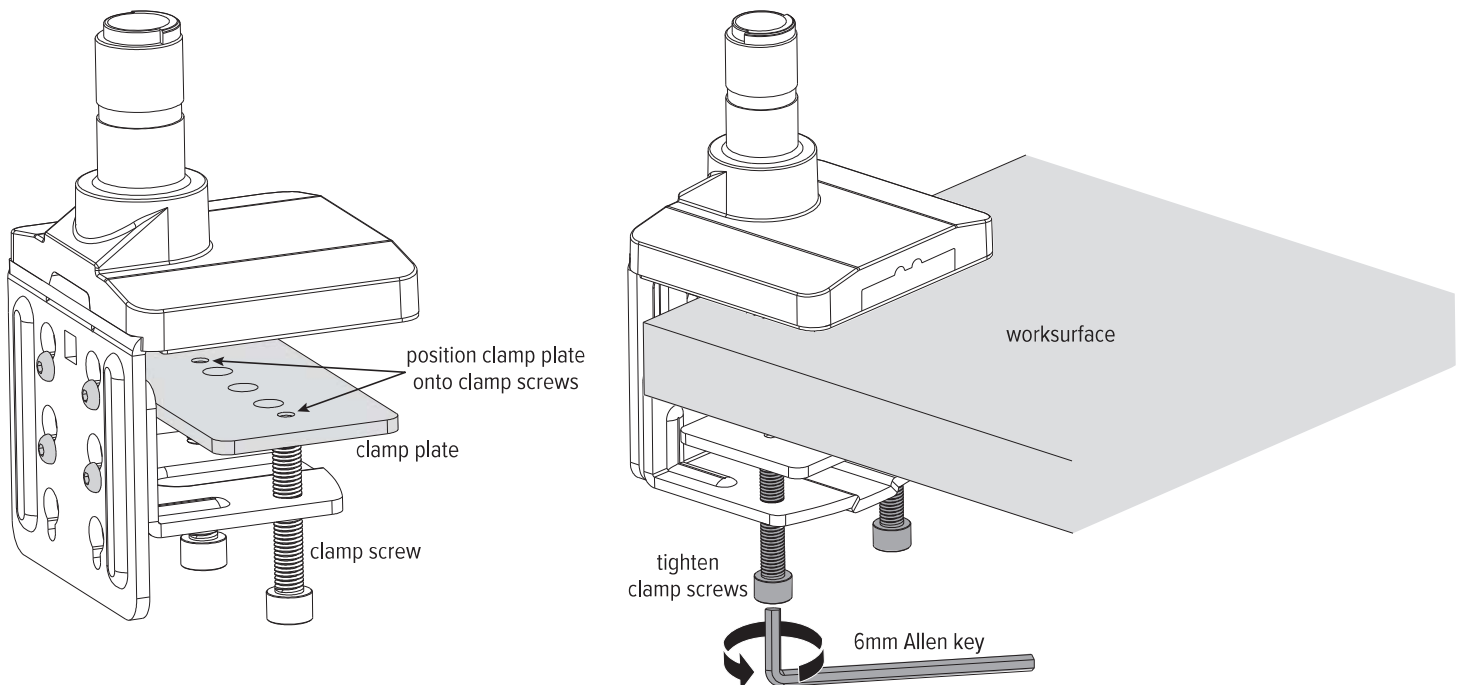
Step #4: attach clamp bracket assembly to clamp mount bracket

- Insert the clamp bracket assembly screw heads into the keyhole openings on the clamp mount bracket.
 - Use the top four holes if the table thickness is between $\frac{3}{8}$ " and $2\frac{1}{2}$ " (10mm and 58mm).
 - Use the bottom four holes if the table thickness is between 2" and $3\frac{3}{8}$ " (50mm and 85mm).
- Slide the clamp bracket assembly down so that threaded shafts of the screws fit into the narrow portion of the keyhole openings.
- Securely tighten the screws using the 4mm Allen key.



Step #5: clamp base assembly to worksurface

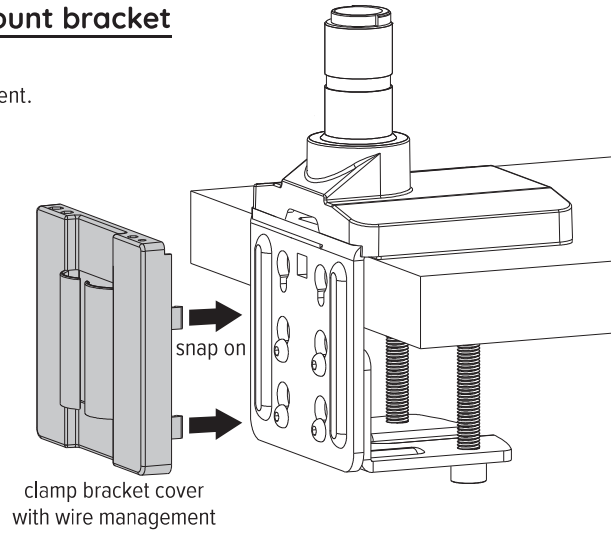
- Position the clamp plate onto the top of the two large clamp screws.
- Clamp the base assembly to the worksurface in the desired position.
 - Securely tighten the screws using the 6mm Allen key.





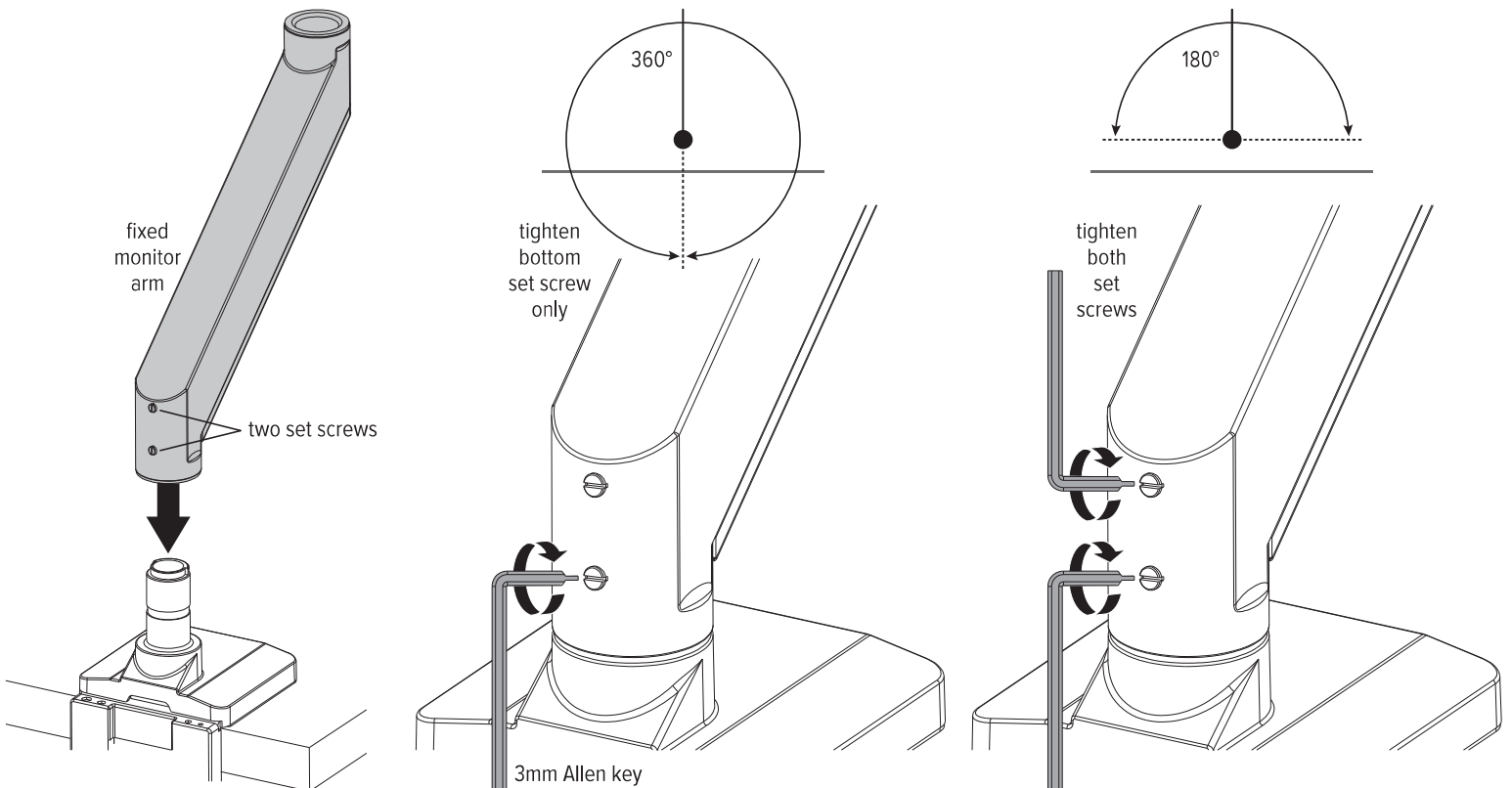
Step #6: attach clamp bracket cover to clamp mount bracket

- Snap the clamp bracket cover onto the rear of the clamp mount bracket.
- The bracket cover holds the Allen keys and also helps with wire management.



Step #7: attach fixed monitor arm

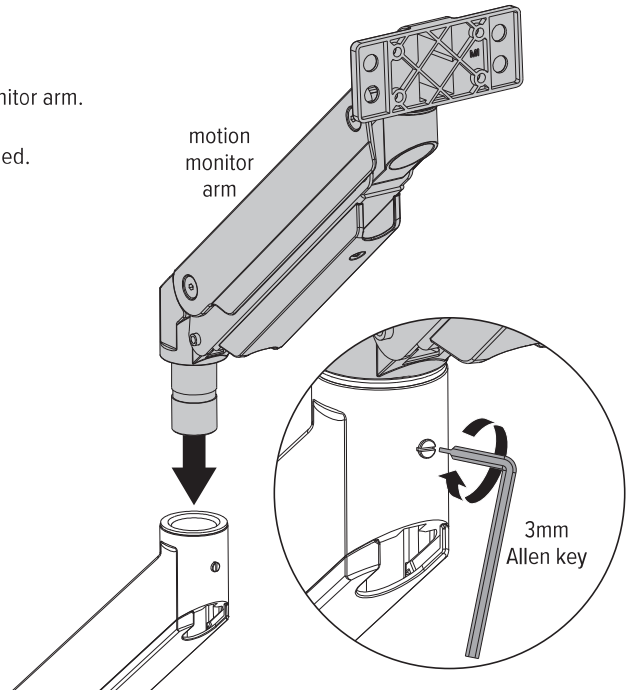
- Fit the fixed monitor arm over the stem on the base assembly.
 - The end of the monitor arm that fits onto the base assembly has two set screws.
- Before adjusting the set screws, orient the monitor arm so that it points toward the front (away from the clamp bracket cover).
- Tighten one or both set screws with the flat blade end of the 3mm Allen key. Tighten the set screw securely, then back it off one-half turn.
 - Tighten just the bottom set screw to allow a full 360° rotation of the monitor arm. **CAUTION:** This is typically not recommended because the monitors should never be positioned behind the rear edge of the worksurface, which would create an imbalance and could result in equipment tip-over.
 - Tighten both set screws to limit monitor arm rotation to 180°. This helps to prevent the monitors from being positioned behind the rear edge of the worksurface.
- Check the monitor arm for desired ease of rotation.
 - Adjust one or both set screws, as needed.
 - **NOTICE:** If you loosen the top set screw, check to be sure monitor arm rotation is still limited to 180°.





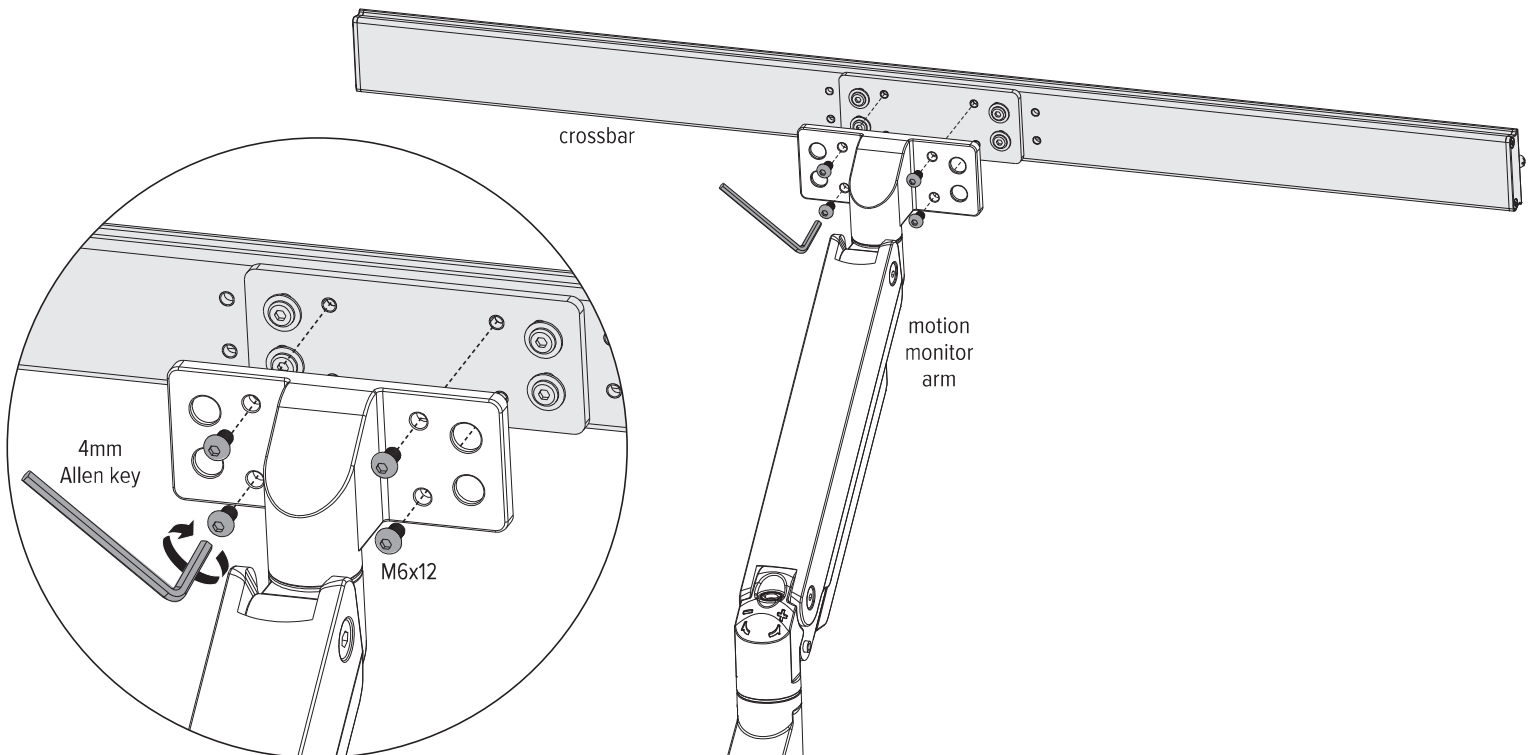
Step #8: attach motion monitor arm

- Fit the stem on the motion monitor arm into the socket on the fixed monitor arm.
- Tighten the set screw with the flat blade end of the 3mm Allen key to secure the monitor arm. Tighten the screw securely, then back it off one-half turn.
- Check the monitor arm for desired ease of rotation and adjust the set screw as needed.



Step #9: attach crossbar

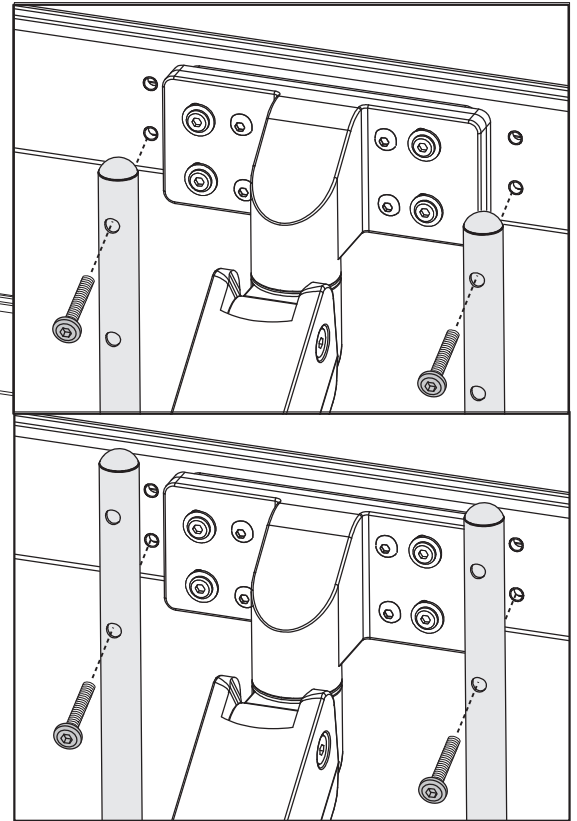
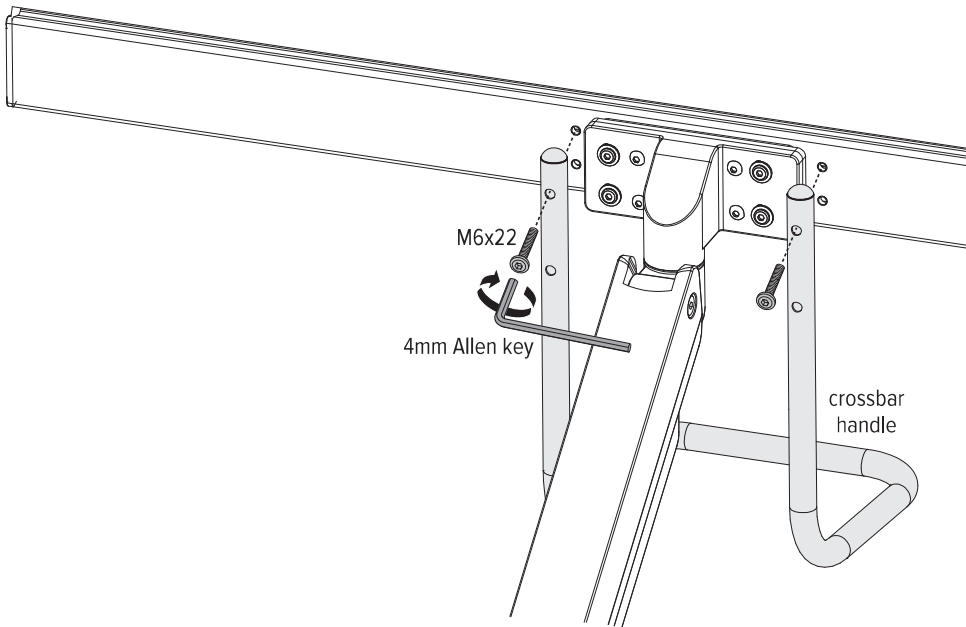
- Attach the crossbar to the motion monitor arm using the four M6x12 socket head screws.
- Securely tighten the screws with the 4mm Allen key.





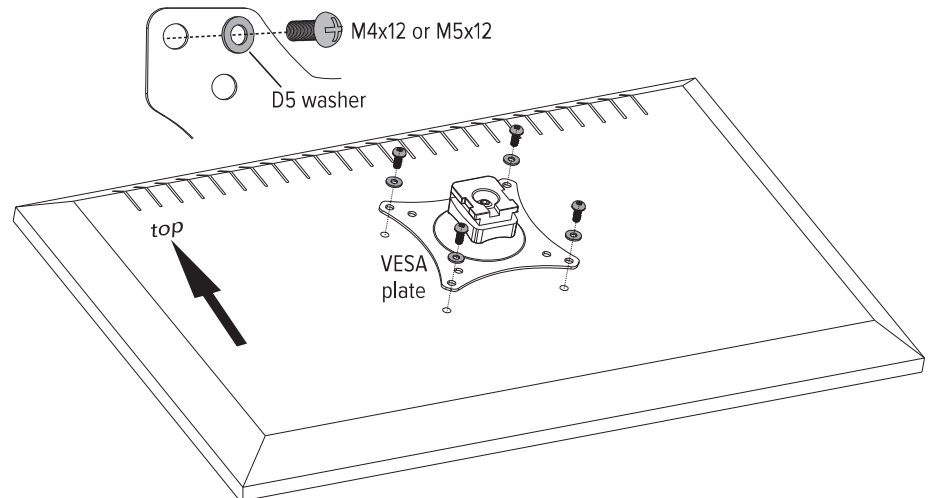
Step #10: attach crossbar handle

- Attach the crossbar handle to the crossbar using the two M6x22 screws. Use any combination of two holes on the crossbar and handle, depending on the desired height of the handle.
 - Shown here are three of the possible combinations: the upper hole on both the handle and crossbar (below); the upper hole on the handle and the lower hole on the crossbar (top right); and the lower hole on both the handle and crossbar (lower right).
- Securely tighten the screws with the 4mm Allen key.



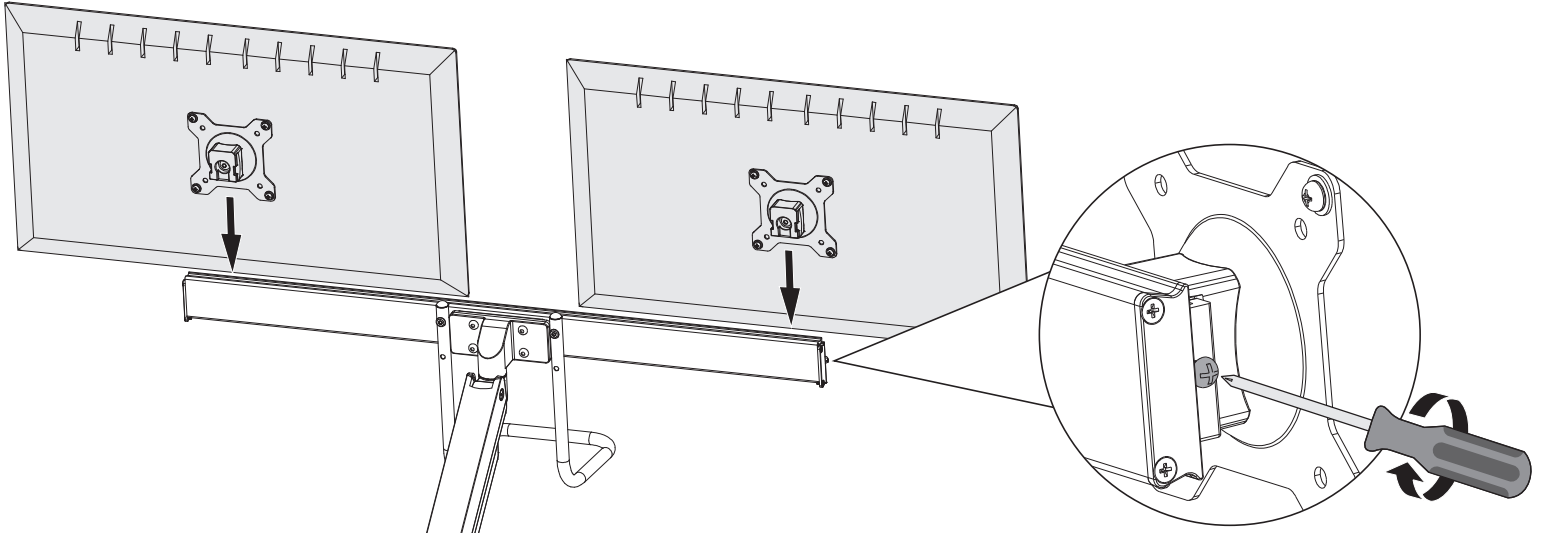
Step #11: attach VESA plates to monitors

- Place each monitor face down on a flat surface. Align the VESA plate holes with the holes on the back of the monitor.
 - There are two sets of four holes on the VESA plate. One set has holes 3.9" (100mm) apart, the other set has holes 3" (75mm) apart. Use the set that matches the holes on the monitor.
- Attach the VESA plate using the VESA plate screws and D5 washers provided.
 - There are two sets of VESA plate screws: M4x12 and M5x12. Use the set that fits the holes on the monitor.
 - Use a Phillips screwdriver to install the screws.



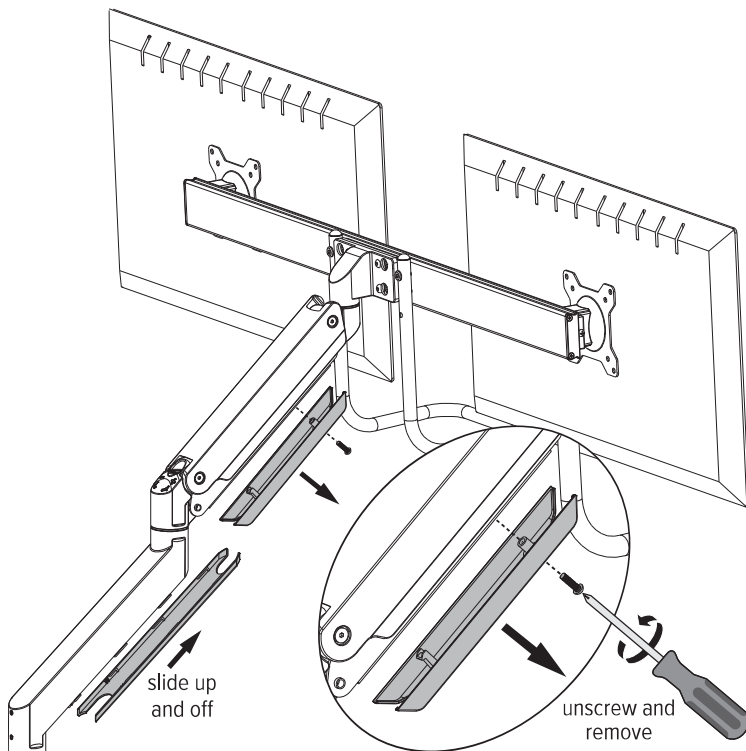
Step #12: attach monitors to VESA mounts

- Slide the VESA plates (with monitor attached) onto the mounts on the crossbar.
- Using a Phillips screwdriver, secure each VESA plate in place by tightening the screw on the outer side of the VESA mounts.



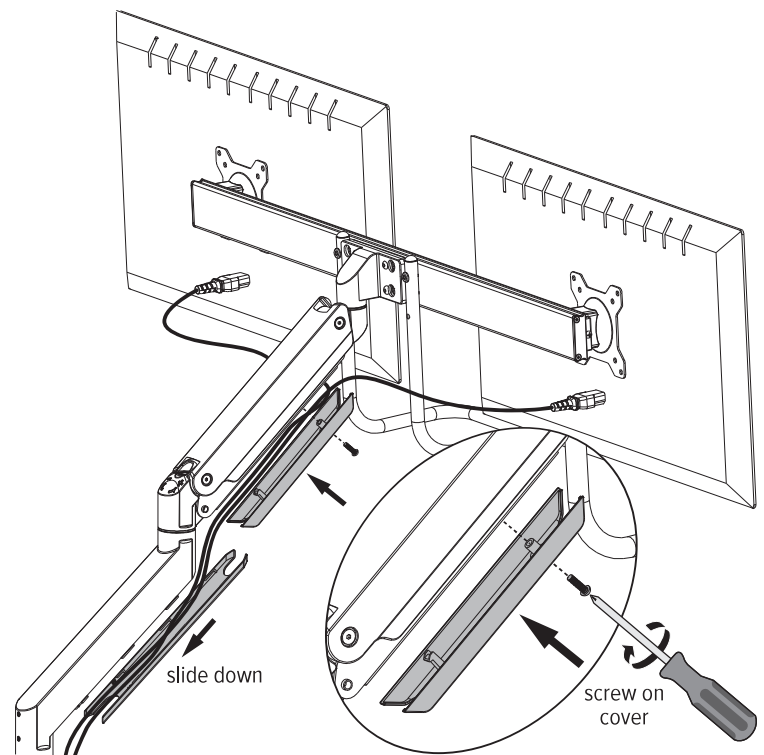
Step #13: remove cable covers

- Remove the cable cover from the motion arm.
 - Use a Phillips screwdriver to remove the screw holding the cover in place.
- Remove the cable cover from the fixed arm.
 - Slide the cover up to remove it.



Step #14: capture monitor cables and cords

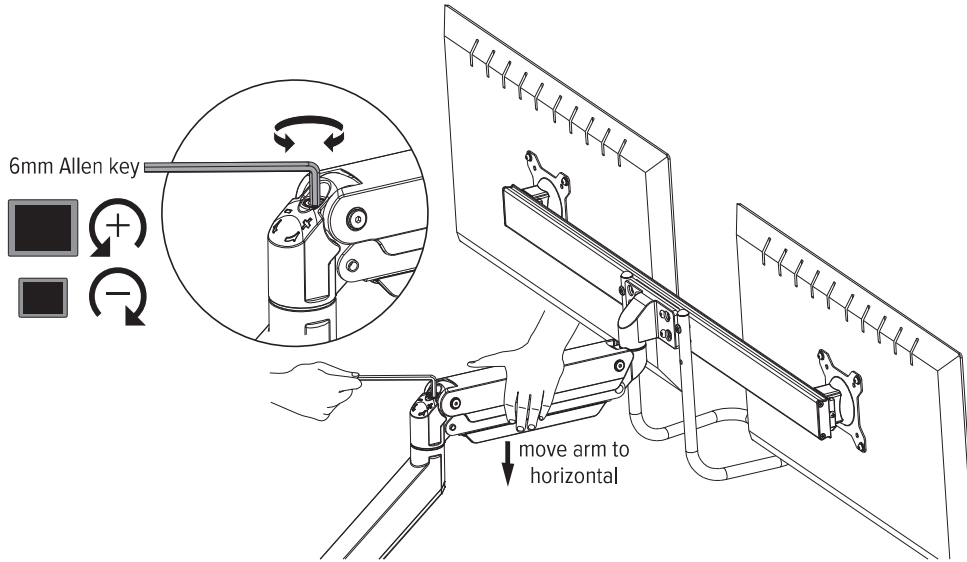
- Install the motion arm cover with cables and cords captured.
 - Arrange the cables and cords along the underside of the motion arm.
 - Screw on the cover. The installed cover captures the cables and cords.
- Install the fixed arm cover with cables and cords captured.
 - Arrange the cables and cords along the underside of the fixed arm.
 - Slide the cover back onto the fixed arm with the cables and cords captured.





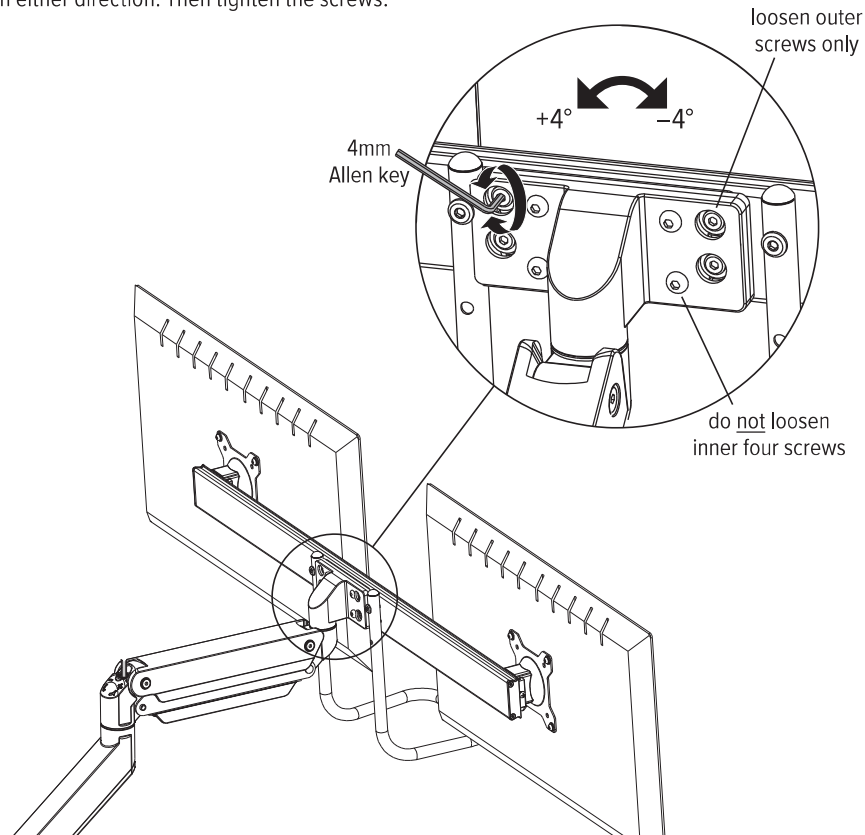
Step #15: adjust for monitor weight, if necessary

- Push down on the motion arm to move it so that it is horizontal. If only moderate force was required to move the motion arm and the arm holds its position when released, no adjustment is necessary.
- If adjustment is needed, use the 6mm Allen key to loosen or tighten the socket screw at the lower end of the motion arm.
 - To increase the weight resistance of the motion arm (larger, heavier monitors), loosen the screw by turning it counterclockwise.
 - To reduce the weight resistance of the motion arm (smaller, lighter monitors), tighten the screw by turning it clockwise.



Step #16: adjust for crossbar tilt, if necessary

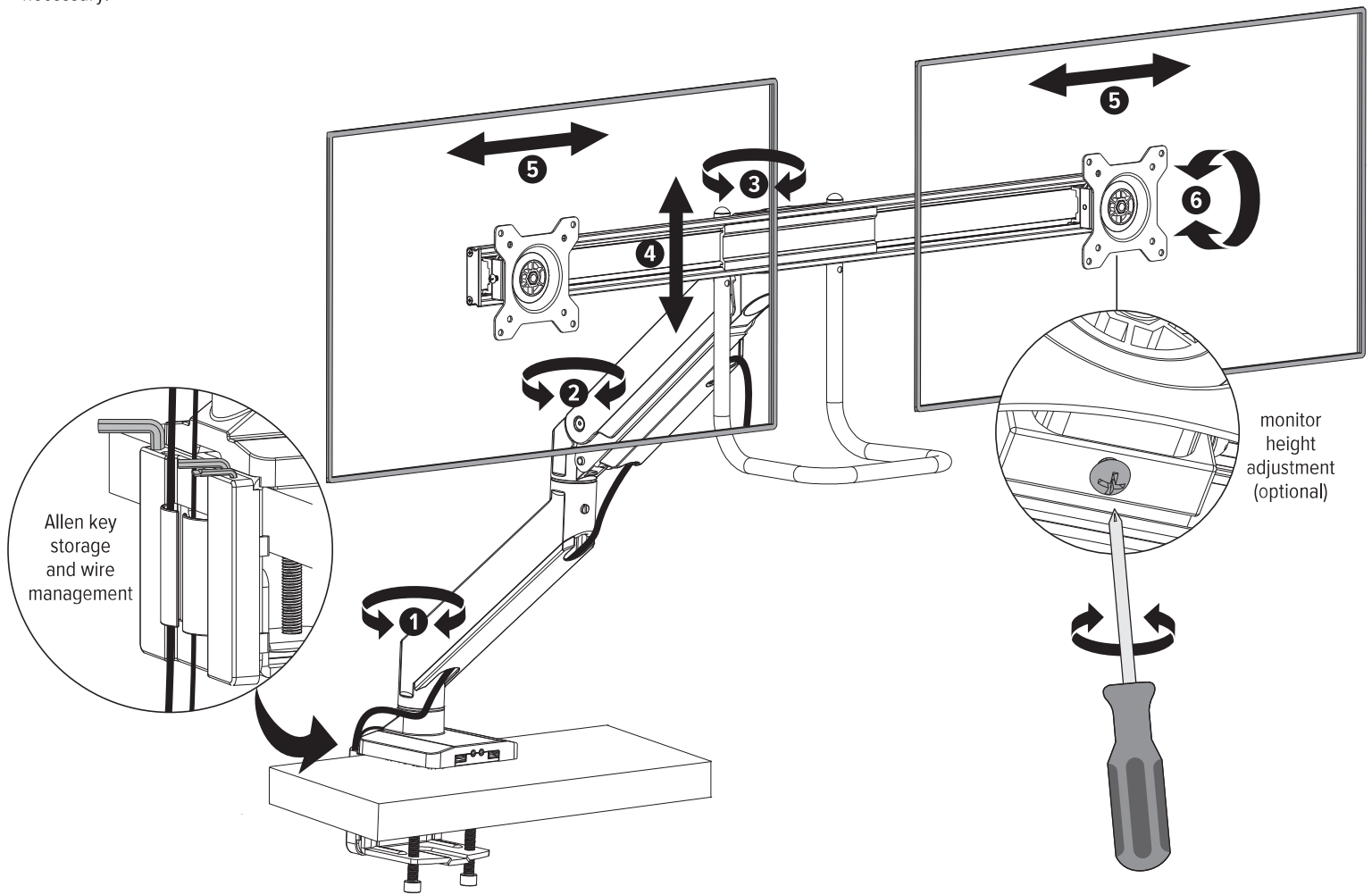
- Use the 4mm Allen key to loosen the screws through the recessed holes on the crossbar mount. These are the outer four holes on the mount.
 - **NOTICE:** Do not loosen the inner four screws that attach the crossbar to the mount.
- Move the crossbar up to 4° in either direction. Then tighten the screws.



Step #17: check operation and make final adjustments

The illustration below shows the basic movements possible with the dual monitor crossbar configuration.

- 1. Fixed arm rotation.** When the fixed arm is rotated, the entire assembly rotates with it. Adjustment is made as described in step #7.
- 2. Motion arm rotation.** Rotating the motion arm can be done using the handle, which also rotates the crossbar and monitors. See step #8 for adjustment.
- 3. Crossbar rotation.** The crossbar and monitor can be rotated around a pivot point at the top of the motion arm. Typically, the motion arm is easier to rotate to achieve the same result. An infrequent adjustment is made by loosening or tightening the socket screw on the underside of the pivot point using the 6mm Allen key.
- 4. Height changes.** The crossbar and monitor height can be changed by raising and lowering the motion arm. Adjustment is described in step #15.
- 5. Monitor horizontal movement.** The VESA mounts and monitors can slide freely along the crossbar. There is no adjustment for this movement. Typically, the two monitors are abutted.
- 6. Monitor rotation.** Monitor orientation can be changed from horizontal to vertical by rotating the monitor. The rotation occurs at the VESA mount and no adjustment is necessary.



Step #18: complete the installation

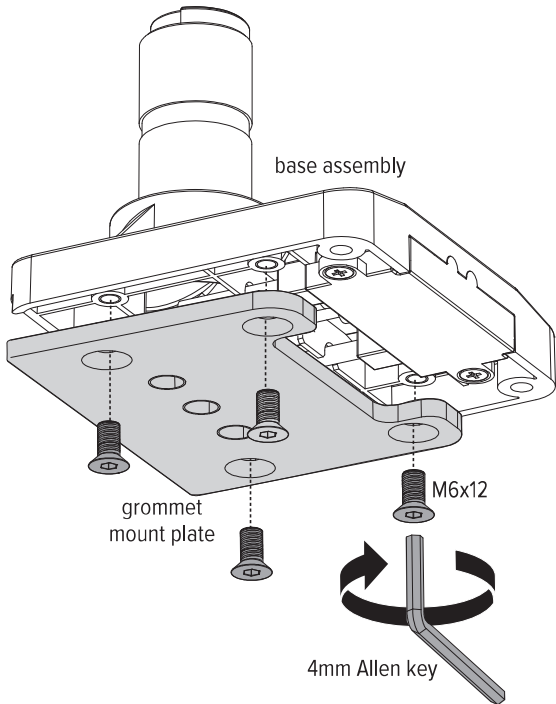
- If alignment of the two monitors is critical, minor height adjustments can be made by loosening or tightening the screw on the underside of the VESA mounts.
 - Loosen the screw on the outer side of the VESA mount before making this adjustment (see step #12).
 - Be sure to tighten the side screw after making the height adjustment.
- Store the Allen keys for future use in the clamp bracket cover (not available with grommet mounts).
- The clamp bracket cover can also be used to organize the cords and cables from the monitors. Insert the cords and cables into the openings on the bracket cover as shown above.
- Connect the cords and cables to complete the installation.



Please follow the steps below to install the monitor arm assembly using the grommet method. Then go to step #6 on page 5.

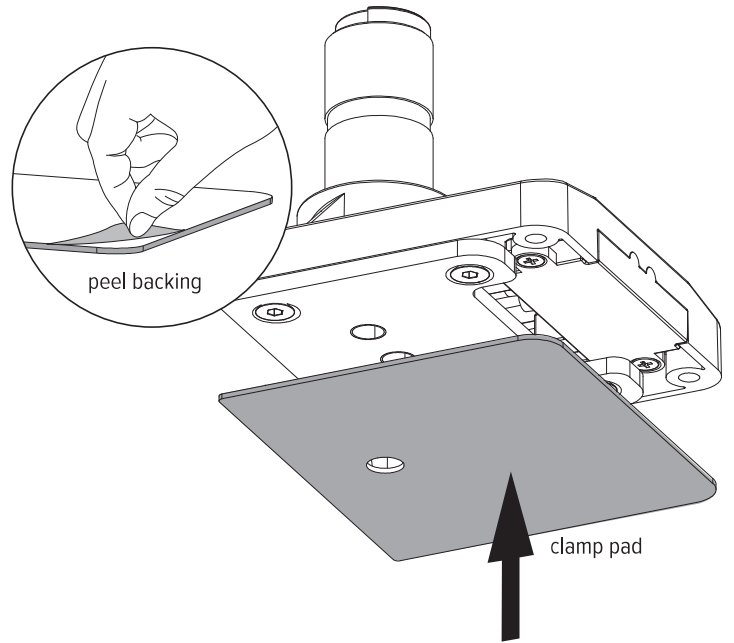
Step A: attach grommet mount plate to base

- Attach the clamp mount bracket to the base assembly with the four M6x12 socket cap screws, as shown.
- Use the 4mm Allen key to tighten the screws securely.



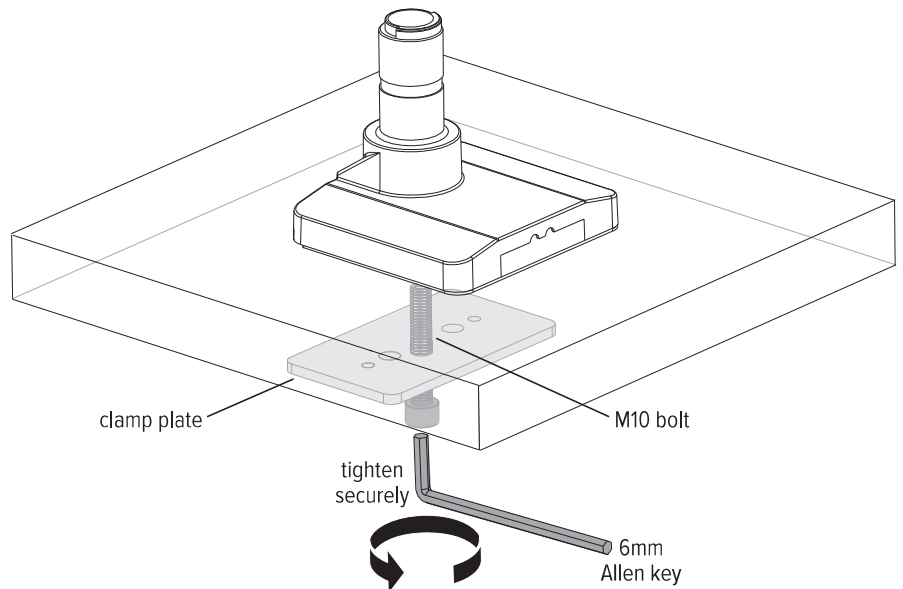
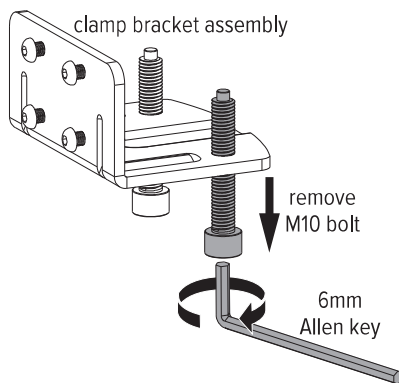
Step B: attach clamp pad to base

- Peel the backing from the adhesive side of the clamp pad.
- Adhere the pad to the bottom of the base, as shown. The pad protects the worksurface.



Step C: install base assembly

- Remove one of the large bolts from the clamp bracket assembly.
- Place the base assembly over the grommet hole, with the middle hole on the grommet mount plate centered.
- From the underside of the worksurface, screw the M10 bolt through the middle hole of the clamp plate into the base assembly.
 - Use the 6mm Allen key.
 - Tighten the bolt securely to ensure a stable installation.



go to step #7 on page 5 and proceed sequentially



Eppa™ 2-Max

Heavy duty dual monitor arm with crossbar

Please contact Customer Service with any questions or comments at 800.833.3746 or visit our website at esiergo.com

LIMITED WARRANTY

ESI warrants this product to be free from defects in manufacturing for a period of 15 years from the date of original purchase. This warranty extends only to the original purchaser, and does not apply if the product has been damaged or fails to function properly as a result of misuse, abuse, modification, alteration, or improper cleaning or maintenance. This warranty does not apply to damage in shipment caused by carriers, damage caused during installation, normal wear and tear, or excessive use (meaning consistent use in excess of an eight hour shift). ANY IMPLIED WARRANTIES OF MERCHANTABILITY OR FITNESS FOR A PARTICULAR PURPOSE ARE LIMITED IN DURATION TO ONE YEAR FROM THE DATE OF ORIGINAL RETAIL PURCHASE. ESI's sole obligation under this warranty or any implied warranty, and the purchaser's sole remedy, is limited to the repair or replacement, at ESI's option, of the product or any defective part. Costs (such as installation, labor fees or express shipping) incurred due to replacement of products are not covered under warranty. IN NO EVENT SHALL FELLOWES, ITS AFFILIATES, SUBSIDIARIES, RELATED ENTITIES OR THEIR RESPECTIVE OFFICERS, DIRECTORS, OR EMPLOYEES, BE LIABLE FOR INCIDENTAL, CONSEQUENTIAL, PUNITIVE, EXEMPLARY, OR SPECIAL DAMAGES.

To make a warranty claim, contact ESI at 800-833-3746 or customerservice@esiergo.com. You must provide proof of purchase, such as the original purchase order number.

The duration, terms and conditions of this warranty are valid worldwide, except where different limitations, restrictions or conditions may be required by local law.