






esi



March 2020 catalog  
Volume 33

# Who we are

ESI is a customer obsessive organization that designs, develops and distributes work gear that allows individuals to create highly productive and comfortable environments. Leveraging a foundation of operational excellence, product innovation and distribution management, ESI strives to exceed the expectations of our customers, users, team members and stakeholders.

## Our locations

### **ESI office and showroom**

4030 East Quenton Drive  
Mesa, Arizona 85215

### **Denver showroom**

1825 Lawrence Street  
Suite 111  
Denver, Colorado 80202

### **Fellowes Brands® headquarters**

1789 Norwood Avenue  
Itasca, Illinois 60143

### **Chicago showroom**

theMART Showroom 11-101  
222 West Merchandise Mart Plaza  
Chicago, Illinois 60654

### **Pittsburgh showroom**

4303 Butler Street  
Pittsburgh, Pennsylvania 15201

### **Online**

Toll Free: 800.833.3746  
customerservice@esiergo.com

# Table of contents

<b>INTRO</b> .....	2	Evolve2Combo* .....	66
<b>MONITOR ARMS</b> .....	18	Evolve3Combo* .....	67
Monitor arm considerations .....	20	Evolve series product comparison .....	69
Motion arm movement .....	21	Edge® series .....	77
Kata™ series .....	22	Edge .....	78
KataEX1 .....	24	Edge2 .....	79
KataEX2 .....	28	Edge2-MS .....	80
KataEX3 .....	32	Edge2-Max .....	81
KataEX4 .....	34	Edge-Max .....	82
KataEX6 .....	36	Edge-Max-Dual .....	83
KataEX series product comparison .....	39	Edge-Wall .....	84
Kata .....	46	Edge-Slat .....	85
Kata2 .....	47	Edge2Combo* .....	86
Kata2-MS .....	48	Edge series product comparison .....	87
Kata series product comparison .....	49	Eppa™ series .....	90
Evolve series .....	50	Eppa .....	92
Evolve1 .....	52	Eppa2 .....	93
Evolve2 .....	56	LTH-Edge* .....	95
Evolve3 .....	60	Monitor arm accessories .....	96
Evolve4 .....	62	Benching mounts .....	97
Evolve6 .....	64		



<b>HEIGHT ADJUSTABLE TABLES . . . . .</b>	<b>98</b>	<b>DESKTOP SIT-TO-STAND</b>	<b>LIGHTING . . . . .</b>	<b>189</b>
Brisa™ . . . . .	100	<b>WORKSTATIONS . . . . .</b>	Amble™ series . . . . .	190
All-Flex® 2-leg . . . . .	104	S2S . . . . .	Lustre . . . . .	192
All-Flex 3-leg . . . . .	108	Climb . . . . .	Vivid series . . . . .	193
Victory™ LX 2-leg . . . . .	112	Climb2 . . . . .	Lily™ series . . . . .	195
Victory LX 3-leg . . . . .	116	Sit-to-stand product comparison . . . . .	Pixie series . . . . .	196
Triumph™ LX . . . . .	120	<b>POWER SOLUTIONS . . . . .</b>	Task lights	
Enmo™ . . . . .	124	Railway™ . . . . .	product comparison . . . . .	198
Trada™ . . . . .	127	FlexCharge™ 9 . . . . .	G2 series . . . . .	202
Electric table base		FlexCharge4CX . . . . .	Lucera series . . . . .	203
product comparison . . . . .	130	FlexCharge4C . . . . .	UCL Mag series . . . . .	204
Weight Adjustable Espree™ . . . . .	133	FlexCharge4 . . . . .	Under cabinet lights	
Q Crank . . . . .	137	FlexCharge3 . . . . .	product comparison . . . . .	205
Manual table base		Desktop power product comparison . . . . .	<b>PORTABLE WORK GEAR . . . . .</b>	<b>207</b>
product comparison . . . . .	140	<b>KEYBOARD SOLUTIONS . . . . .</b>	Motific™ . . . . .	209
Worksurfaces . . . . .	143	Solution Ultra . . . . .	Birdi™ . . . . .	211
Tech Dock* . . . . .	150	Solution All-Fit . . . . .	WOW series . . . . .	212
CPU holders . . . . .	151	Keyboard combo solutions	Mobile accessories . . . . .	213
Table accessories . . . . .	153	product comparison . . . . .	<b>WALL MOUNTED WORK GEAR . . . . .</b>	<b>215</b>
<b>PRIVACY/MODESTY SCREENS . . . . .</b>	<b>155</b>	Keyboard platforms . . . . .	Titan track series . . . . .	216
Centro™ . . . . .	156	Articulating arms	<b>MEASUREMENT STANDARDS . . . . .</b>	<b>217</b>
		product comparison . . . . .	<b>TERMS AND CONDITIONS . . . . .</b>	<b>222</b>
		Keyboard accessories . . . . .		

\* LAPTOP SOLUTIONS

# Committed to

## 01

### Customer service

Toll Free: 800.833.3746  
customerservice@esiergo.com  
Please e-mail orders to  
**orders@esiergo.com.**

ESI's customer obsessive, award-winning team is on-call to assist with any work gear needs. We are ready to answer questions or recommend products that help customers achieve their best at work.

ESI honors a no restocking fee for our customers, if the return is approved in advance.

## 02

### 48 hours

ESI can fulfill orders in as little as 48 hours based on product on-hand availability. We do this by maintaining high inventory levels of the most popular products so our customer can meet ambitious deadlines and schedules. ESI's exceptional fulfillment service ensures you get the products you want, when you want them. Unless otherwise specified, most of ESI's products ship within two business days after the order is placed and acknowledged.

## 03

### Specifying libraries

ESI's products are available in the following furniture specification software programs:

**CET Designer | Configura  
2020 CAP  
Project Matrix  
ICE Edge  
KISP  
HEDBERG**

ESI also utilizes My Resource Library (MRL), a virtual library for all our digital cutsheets and catalog.

# our customers

## 04

### Lead time

The **LT** product marker indicates that the lead time may vary depending on quantities ordered and their availability. Please contact our Customer Service Department for on-hand availability when placing orders for products marked with LT. Purchase Orders that include LT designated products will be shipped based on the lead time of those products. Split shipments are available for orders that include both LT and non-LT products.

## 05

### Reserved inventory

ESI's team is focused on helping our customers execute large projects on time. A Reserved Inventory Program is offered for projects totaling at least \$15,000 net. Find out how this program can help make your projects a success by contacting our Customer Service Department.

## 06

### 15 year warranty

ESI's work gear is backed by an industry-leading 15 year product warranty – giving you confidence to take on your work, your way. Ask us about our labor warranty reimbursement program. View the full warranty policy at [esiergo.com](https://www.esiergo.com) or contact our Customer Service Department for more information.

## 07

### General info

All prices in the catalog are effective March 1, 2020, and are list price in U.S. dollars. All measurements are accurate within 0.25". Visit ESI's website [esiergo.com](https://www.esiergo.com) for additional specs, dimensional drawings, alternative images and more resources for all of ESI's products.

# Form meets

function meets sophistication.

Stylish simplicity are the watchwords for our ever-expanding designer product line. We've partnered with renowned product designers to bring contemporary aesthetics and modern design to office environments, helping businesses turn heads as they turn profits.

That's because our line of products—table bases, portable tables, monitor arms and lights are rooted in ergonomics to boost productivity—without sacrificing style. Clean lines blend seamlessly with existing office work gear, accentuating interior layouts while providing distinctive and beautiful focal points. It makes for a harmonious look and integration—contract furniture dealers, interior designers and architects can specify our products into plans from the start to ensure end users get an environment that can boost self-esteem as well as workflow. Or, they can use our designer line to build on what's already there. Regardless, the result fits perfectly: a marriage of form, function and sophistication.





*Product shown: Brisa, KataEX2-MS, Designer  
White worksurface, Lily LED, Motific*

# Product spotlight

## 1. Kata™ EX

These designer series monitor arms have sophisticated flexibility for easy expansion of monitor arm configurations.

See pages 24–45 for more details  
*KataEX2-DC-FMS is shown*

## 2. Kata™

These designer series single and dual monitor arms harmoniously blend form and function.

See pages 46–49 for more details  
*Kata-DC is shown*

## 3. Evolve

Evolve monitor arms easily adapt to the fluidly changing needs of today's workplace.

See pages 50–76 for more details  
*Evolve2-MS is shown*

## 4. Edge®

Single and dual monitor arms enhance performance and maximize space.

See pages 77–89 for more details  
*Edge is shown*

## 5. Brisa™

This designer series height adjustable table base has a striking minimalist design with multiple color combinations.

See pages 100–102 for more details  
*Brisa is shown*

## 6. Connect and lock tables

Brisa™, Victory™LX 2-leg, and Triumph™LX table bases feature the new connect and lock frame making installation easy and fast.

See pages 100–102, 112–114 and 120–122 for more details  
*VictoryLX 2-leg is shown*

## 7. Enmo™

High quality height adjustability at an affordable price point.

See pages 124–126 for more details  
*Enmo is shown*

## 8. Motific™

A portable tech table that integrates refined design with function. Customizable design with height and color options for any workspace.

See pages 206–207 for more details  
*Motific with an amorphic top is shown*

## 9. FlexCharge™

FlexCharge series brings power close at hand for any collaborative area or individual workspace.

See pages 166–173 for more details  
*FlexCharge4C is shown*

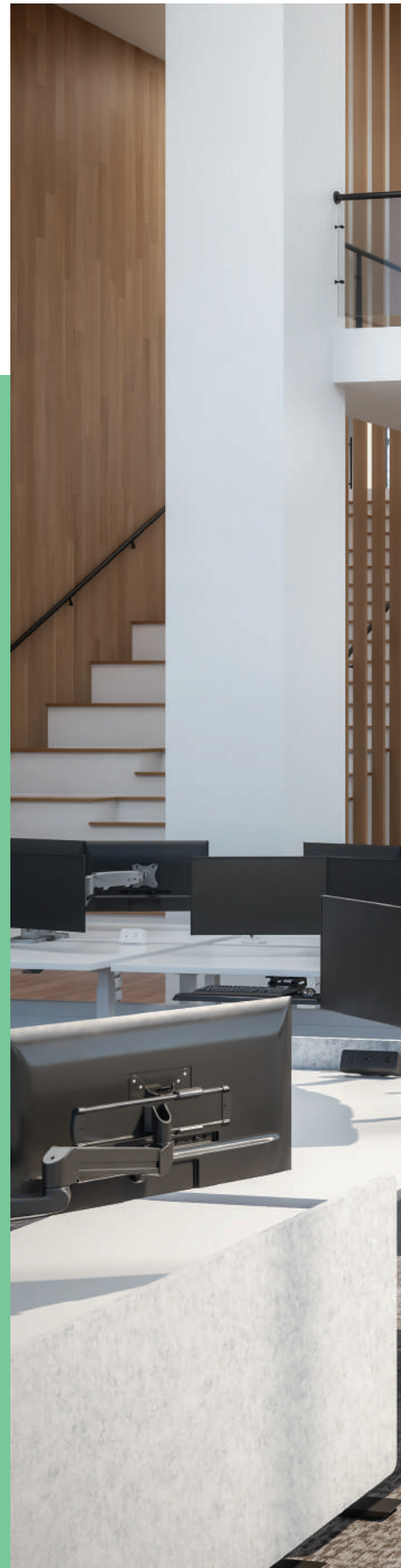




# Make your space a better place. With us.

We are the go-to for the get-going—ESI has long been the solution for growing businesses, companies on the move and expanding workspaces. We were once known for ergonomic solutions, but now we're so much more, offering a complete 360 solution for work gear.

We offer everything from monitor arms, height adjustable tables and desktop sit-to-stand solutions, to privacy/modesty screens, power sources, and more. All designed to maximize workspace expandability and flexibility. All designed to work with existing furniture, with multiple finishes to match and accentuate any environment. And all designed to position you to be your best, increase productivity and truly seize the day. Regardless of whether you're working in a corporate, commercial, government, education, or healthcare environment, we'll exceed your need. After all, we are ESI. We ARE work gear.







Product shown: Motific, Eppa2, Enmo, FlexCharge3, FlexCharge4, FlexCharge9, Designer White worksurfaces, Solution 2, Centro, Railway, Evolve2-FMS, Conceal, Birdi

# For all of us.

## For our future.

What works for us also works for our planet. As a company, we're committed to providing solutions that foster sustainability and a focused attention on maintaining good environmental practices. That means selecting products that reflect this commitment. Adopting procedures that promote sustainability. Creating recycling programs. Reviewing and enhancing our operations. Because for us, it's the right thing to do.

### Spare parts recycling

ESI's Evolve, Edge, and Eppa series of monitor arms are shipped with both a desk clamp and grommet mount included—making them simple to order and install. After the installation is complete, the unused desk clamp or grommet mount can be sent back to ESI at no cost to you. ESI will then recycle the parts as appropriate. Our Spare Parts Recycling Program prevents leftover parts from taking up space in your facility or in a landfill. Contact our Customer Service Department to participate.

### LEVEL certification

LEVEL was created to deliver the most open and transparent means of evaluating and communicating the environmental and social impacts of furniture products in the built environment. To put it simply, LEVEL is to commercial furniture as LEED is to buildings. Also like LEED, LEVEL is comprehensive. It addresses criteria across corporate, facility and product impacts in a way that few other certifications do. If you see a LEVEL certified product, you can be assured that every part of the process from manufacturing to delivery has been tested to ensure that you are getting quality products made safely and ethically, with a minimal environmental footprint.

Source: <http://www.levelcertified.org/learn-about-level/>

See page 15 for a complete list of ESI's LEVEL certified products.



# LEVEL certified products



## Monitor arms

PRODUCT NAME	LEVEL	PAGE
Edge®	1	78
Edge2	1	79
Edge2-MS	1	80
Edge2-Max	1	81
Edge-Max	1	82
Edge-Max-Dual	1	83
Edge-Wall	1	84
Edge-Slat	1	85
Evolve-Stubby	1	52
Evolve1-F	1	52
Evolve1-FF	1	53
Evolve1-FM	1	53
Evolve1-M	1	54
Evolve1-MS	1	55
Evolve2-F	1	56
Evolve2-FF	1	56
Evolve2-FM	1	57
Evolve2-FS	1	57
Evolve2-FMS	1	58
Evolve2-M	1	58
Evolve2-MS	1	59
Evolve3-FF	1	60
Evolve3-FMS	1	61
Evolve4-FF	1	62
Evolve4-FM	1	62
Evolve4-MS	1	63
Evolve4-FMS	1	63
Evolve6-FF	1	64
Evolve6-FMS	1	65
Kata™	1	46
Kata2	1	47
Kata2-MS	1	48
KataEX-Stem	1	24
KataEX1-F	1	24
KataEX1-FF	1	25
KataEX1-FM	1	25
KataEX1-M	1	26
KataEX1-MS	1	27
KataEX2-F	1	28
KataEX2-FF	1	28
KataEX2-FM	1	29
KataEX2-FS	1	29
KataEX2-FMS	1	30
KataEX2-M	1	30
KataEX2-MS	1	31
KataEX3-FF	1	32
KataEX3-FMS	1	32

KataEX4-FF	1	34
KataEX4-FM	1	34
KataEX4-MS	1	35
KataEX4-FMS	1	35
KataEX6-FF	1	36
KataEX6-FMS	1	36

## Monitor arm accessories

PRODUCT NAME	LEVEL	PAGE
Kata Slider	1	96
Edge/Evolve Slider	1	96
VESA	1	96
Weighted VESA	1	96

## Height adjustable tables & accessories

PRODUCT NAME	LEVEL	PAGE
All-Flex	1	104
Conceal	1	153
CPU Mini	1	151
CPU05	1	151
Pencil Drawer	1	153
PAC-CPUMINI	1	216
PAC-CPULOCK	1	216

## Desktop sit-to-stand workstations

PRODUCT NAME	LEVEL	PAGE
Climb	1	159
Climb2	1	160

## Articulating arms

PRODUCT NAME	LEVEL	PAGE
AA330	1	185
AA360	1	185
AA100-PTLO	1	186
AA370	1	186
AA750DAT	1	186
AA355DS	1	187
AA780DAT	1	187

## Portable work gear

PRODUCT NAME	LEVEL	PAGE
Titan-Edge	1	216
Titan2-Edge	1	216

## Mobile work gear

PRODUCT NAME	LEVEL	PAGE
WOW01	1	212
Mobile Cart	1	213
Utility Cart	1	213



# Government solutions

For over a decade, ESI has been providing federal agencies, state and local government, higher education and non-profit organizations with the tools to create high performance work environments. As a leader in ergonomic work gear, our products help you to enhance productivity and wellness in every area of your facility.

Known for our award-winning customer service and high quality products, we make it easy for government agencies to get what they need to improve ergonomics and support technology through all areas of the workspace. Partnering with resellers across the U.S. and internationally, ESI can meet any socio-economic goal your agency needs. ESI stands ready to help facilitate contracting objectives for your government projects quickly and efficiently.

## Contracts

For a complete up-to-date listing of all ESI held contracts please visit [esiergo.com](http://esiergo.com)

**GSA Contract:**  
GS-28F-0028Y

**NAICS Codes:**  
337214; 339999; 423210; 423450; 424120

**33721:**  
Office Furniture

**OLM:**  
Order-Level Materials

**Duns:**  
005070008

**CAGE:**  
63090

**Tax ID Number (TIN):**  
36-0770670

**Socio-economic partners:**  
8a, Native American, Alaskan Native, HubZone, SDVOSB, EDWOSB, WOSB, MBE, MWBE, and Veteran owned

**State contracts:**  
Alabama; University of Alabama; Arkansas; California (CMAS); Florida; Mississippi; New Mexico; New York; North Carolina; Pennsylvania; South Carolina; South Dakota

**Cooperative purchasing agreements:**



# We're a part of something bigger

As a fourth generation family business Fellowes Brands is committed to creating a superior workplace environment with quality furnishings, productive workspace tools and finishing touch accessories for the contract furniture industry. Because your best begins with where you work, we'll help you create a space that matters.



**Fellowes**  
Brands™

esi

**Fellowes**

AERA<sup>MAX</sup>

**BANKERS BOX**

**Fellowes**  
Mobile

Trendway >

# Reaching out to the world around us

At ESI, we understand the impact we can make—and we strive to make that impact felt throughout our communities every day. That's why we have a deep and abiding commitment to offering our time, talent, and resources to help those who could benefit most from philanthropic efforts.

To this end, we support a variety of local giving initiatives each year with product donations, financial gifts, and in-kind volunteer programs. As a Fellowes brand, we place a great deal of importance on outreach through

such efforts. In fact, Fellowes Brands has established the GIVE™ program, which is dedicated to building local and global partnerships addressing humanity's greatest needs. GIVE is committed to supporting initiatives in four key areas: social services, world aid and development, education, and cancer research. We're proud the program's guiding principles align with our company values, and those of our people. We're proud of our impact—and the impact we'll make moving the world forward.





Monitor arms

# As flexible as you are

Make the most of your desk space and make the most of your day, with flexible monitor arms that move with you, boosting productivity and providing you with clearer sight lines. You can easily adjust up to six monitors, maximizing workflow and transforming a mere desk into a true command center.







*Product shown: Evolve2-FMS,  
Evolve3-FMS, Centro,  
VictoryLX 3-leg, Designer  
White worksurfaces, Railway,  
FlexCharge4, Solution 6*

# What to consider when selecting a monitor arm

## **Number of monitors**

ESI offers solutions for as few as one to as many as six monitors. Should the needs of the user change, the Evolve and KataEX series can both be easily modified in the field to accommodate additional monitors and changing work environments.

## **Height adjustment**

Monitor arms offer various types of height adjustability. The most user-friendly option is dynamic height adjustment which allows the user to adjust the monitor height quickly and easily with just the touch of a finger.

## **Weight of monitor(s)**

ESI's standard monitor arms in the Eppa, Edge, and Evolve series support the average monitor weights between 6 to 17 pounds. For heavier monitors, the Edge-Max will support 17 to 42 pounds, and the Kata and KataEX supports 4 to 20 pounds. The weight of the monitor arms should also include any additional monitor accessories (i.e. cables or locks).

## **Size of monitor(s)**

Most users prefer to have their monitors side-by-side as close as possible with no gaps between them. The versatility of ESI monitor arms allow multiple wide monitors to fit side-by-side. Max width is contingent on the monitor meeting the weight capacity of the arms. Configurations that include a slider will provide additional horizontal adjustability, allowing monitors of varying sizes to fit together seamlessly.

## **Size and shape of the worksurface**

Shallow worksurface depths of 24 inches or less, are best suited for monitor arm configurations with fewer limbs, the Edge/Evolve Slider or Kata Slider. For applications that require extended reach, ESI recommends an Evolve or KataEX configuration with multiple limbs. When positioning two or more monitors side-by-side in a 90° corner, the maximum monitor size will be reduced. Please contact our Customer Service Department to discuss your specific applications and requirements.

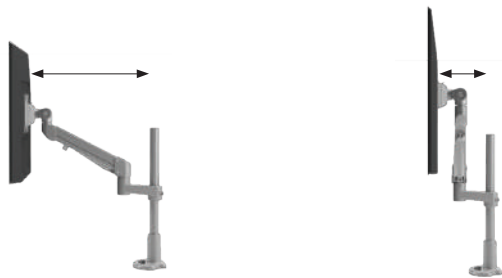
**If you need further assistance in specifying the correct monitor arms or would like to take advantage of our demo program, please contact our Customer Service Department.**



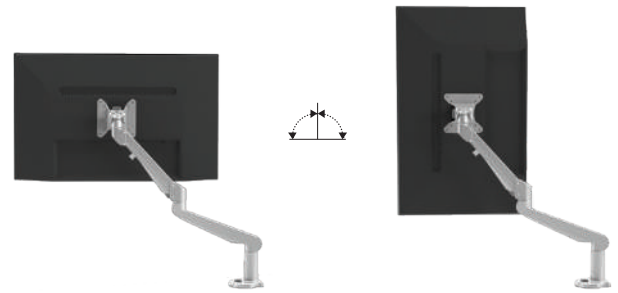
# Monitor arm movement

Within the ESI monitor arm collection, there are many common movements.

## Extension/retraction



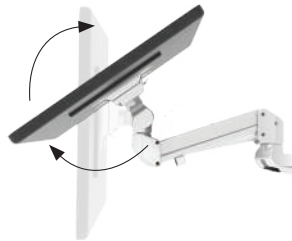
## Rotation



Landscape

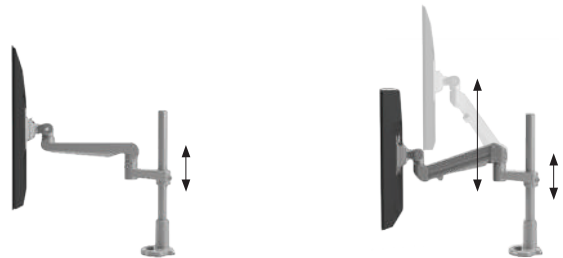
Portrait

## Tilt



VESA mounts tilt forward and backward, providing a flat writing surface for touch screen monitors.

## Height adjustment



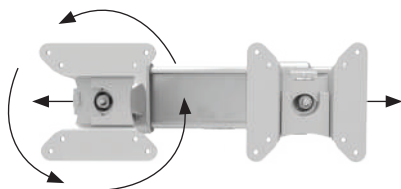
Fixed arms:

The arms can be mounted at any height along the pole.

Dynamic motion arms:

Motion arms can move up and down with finger touch adjustment.

## Slider



Sliders move your monitor left and right while retaining monitor tilt and VESA mount  $\pm 90^\circ$  monitor rotation.



Monitor arms

# Kata™ series

*Product shown: Kata, Brisa,  
Designer White worksurface*





Product shown: Kata2-MS, Brisa, Designer White worksurface, Lustre

# Kata™ EX1



KATAEX1-DC-ST



KATAEX1-DC-F

## Proprietary design

Kata has been uniquely designed for ESI.

## Connection sleeve

The unique design of the connection sleeve accommodates up to three monitor arms depending on the configuration. Allows arms to be mounted at 90°, 120° or 180°.

## Tension adjustment indicator

A clear gauge on the back of the motion arm allows users to see tension levels while adjusting the arm for various weight levels.

## KataEX motion arms

KataEX configurations that include a motion arm (M) offer finger touch dynamic height adjustment. That means the monitor can reposition up and down with ease.

## KataEX fixed arms

KataEX configurations using fixed arms (F) have manual height adjustment. They rotate left and right along the pole, offering flexibility with lateral adjustments.

## Flexible growth

Because the KataEX is pole mounted, arms can be added as needed to support additional monitors.

## Quality testing

Meets or exceeds ANSI/BIFMA x5.5 guidelines.

## KataEX-Stem

Single short fixed monitor arm

**\$295**

MODEL # KATAEX1-DC-ST-\_\_\_

MODEL # KATAEX1-GM-ST-\_\_\_

## Features

Manual height adjustment

Recommended for worksurfaces  
24.0" deep or less

11.1" arm extension

11.1" arm retraction

+90°/-45° monitor tilt

±90° VESA rotation

Up to 20.0lb. weight capacity

16.0" pole height *(includes base)*

VESA 75mm/100mm quick release

Specify a grommet mount or a desk  
clamp mount

Warranty: 15 yr.

## KataEX1-F

Single fixed monitor arm

**\$345**

MODEL # KATAEX1-DC-F-\_\_\_

MODEL # KATAEX1-GM-F-\_\_\_

## Features

Manual height adjustment

Recommended for worksurfaces  
30.0" deep or less

21.4" arm extension

5.6" arm retraction

+90°/-45° monitor tilt

±90° VESA rotation

Up to 20.0lb. weight capacity

16.0" pole height *(includes base)*

VESA 75mm/100mm quick release

180° lock-out feature

Specify a grommet mount or a desk  
clamp mount

Warranty: 15 yr.



KATAEX1-DC-FF



KATAEX1-DC-FM

### KataEX1-FF

Single fixed + fixed monitor arm

**\$406**

MODEL # KATAEX1-DC-FF-\_\_\_\_

MODEL # KATAEX1-GM-FF-\_\_\_\_

#### Features

- Manual height adjustment
- Recommended for worksurfaces 36.0" deep or less
- 31.7" arm extension
- 7.1" arm retraction
- +90°/-45° monitor tilt
- ±90° VESA rotation
- Up to 20.0 lb. weight capacity
- 16.0" pole height *(includes base)*
- VESA 75mm/100mm quick release
- 180° lock-out feature
- Specify a grommet mount or a desk clamp mount
- Warranty: 15 yr.

### KataEX1-FM

Single fixed + motion monitor arm

**\$498**

MODEL # KATAEX1-DC-FM-\_\_\_\_

MODEL # KATAEX1-GM-FM-\_\_\_\_

#### Features

- Finger touch dynamic height adjustment
- Recommended for worksurfaces 36.0" deep or less
- 32.2" arm extension
- 5.6" arm retraction
- +90°/-45° monitor tilt
- ±90° VESA rotation
- 4.0 lb.–20.0 lb. weight capacity
- 16.0" pole height *(includes base)*
- VESA 75mm/100mm quick release
- 180° lock-out feature
- Specify a grommet mount or a desk clamp mount
- Warranty: 15 yr.

#### Monitor arm key

- F - Fixed monitor arm
- M - Motion monitor arm
- S - Slider mount

#### Available mounting options

- DC - Desk clamp
- GM - Grommet mount

#### Available arm finishes

- Silver -SLV
- Black -BLK
- White -WHT

#### Customize the KataEX

As workstation needs change, so can the KataEX configurations. Additional components are sold separately:

- Motion arms
- Fixed arms
- Stem arms
- 28.0" pole *(height includes base)*
- Slider mounts

Contact our Customer Service Department for compatibility and pricing for custom configurations.

# Kata™ EX1



## Proprietary design

Kata has been uniquely designed for ESI.

## Connection sleeve

The unique design of the connection sleeve accommodates up to three monitor arms depending on the configuration. Allows arms to be mounted at 90°, 120° or 180°.

## Tension adjustment indicator

A clear gauge on the back of the motion arm allows users to see tension levels while adjusting the arm for various weight levels.

## KataEX motion arms

KataEX configurations that include a motion arm (M) offer finger touch dynamic height adjustment. That means the monitor can reposition up and down with ease.

## Slider mount

Position virtually any monitor side-by-side with a slider. The slider (S) offers nine and a half inches of horizontal adjustability, so even monitors of varying sizes can be positioned flush.

## Flexible growth

Because the KataEX is pole mounted, arms can be added as needed to support additional displays.

## Quality testing

Meets or exceeds ANSI/BIFMA x5.5 guidelines.

## KataEX1-M

Single motion monitor arm

**\$437**

MODEL # KATAEX1-DC-M-\_\_\_\_

MODEL # KATAEX1-GM-M-\_\_\_\_

## Features

Finger touch dynamic height adjustment

Recommended for worksurfaces  
30.0" deep or less

21.4" arm extension

7.1" arm retraction

+90°/-45° monitor tilt

±90° VESA rotation

4.0 lb.–20.0 lb. weight capacity

16.0" pole height *(includes base)*

VESA 75mm/100mm quick release

180° lock-out feature

Specify a grommet mount or  
a desk clamp mount

Warranty: 15 yr.



KATAEX1-DC-MS

## KataEX1-MS

Single motion + slider monitor arm

**\$497**

MODEL # KATAEX1-DC-MS-\_\_\_\_

MODEL # KATAEX1-GM-MS-\_\_\_\_

### Features

Finger touch dynamic height adjustment

Recommended for worksurfaces

30.0" deep or less

23.0" arm extension

6.6" arm retraction

+90°/-45° monitor tilt

±90° VESA rotation

2.5lb.–18.5lb. weight capacity

16.0" pole height *(includes base)*

VESA 75mm/100mm quick release

180° lock-out feature

Specify a grommet mount or a desk clamp mount

Warranty: 15 yr.

### Monitor arm key

F - Fixed monitor arm

M - Motion monitor arm

S - Slider mount

### Available mounting options

DC - Desk clamp

GM - Grommet mount

### Available arm finishes

Silver -SLV

Black -BLK

White -WHT

### Customize the KataEX

As workstation needs change, so can the KataEX configurations. Additional components are sold separately:

Motion arms

Fixed arms

Stem arms

28.0" pole *(height includes base)*

Slider mounts

Contact our Customer Service Department for compatibility and pricing for custom configurations.

### KataEX conversion kit - 1MS2MS

Converts an existing KataEX1-MS single monitor arm to a KataEX2-MS dual arm.

Kit includes:

One slider

One motion arm

One arm stem

**\$522**

MODEL # KATAEXKIT1MS2MS-\_\_\_\_

*Available in silver, black and white*



# Kata™ EX2



## Proprietary design

Kata has been uniquely designed for ESI.

## Connection sleeve

The unique design of the connection sleeve accommodates up to three monitor arms depending on the configuration. Allows arms to be mounted at 90°, 120° or 180°.

## Tension adjustment indicator

A clear gauge on the back of the motion arm allows users to see tension levels while adjusting the arm for various weight levels.

## KataEX motion arms

KataEX configurations that include a motion arm (M) offer finger touch dynamic height adjustment. That means the monitor can reposition up and down with ease.

## KataEX fixed arms

KataEX configurations using fixed arms (F) have manual height adjustment. They rotate left and right along the pole, offering flexibility with lateral adjustments.

## Slider mount

Position virtually any monitor side-by-side with a slider. The slider (S) offers nine and a half inches of horizontal adjustability, so even monitors of varying sizes can be positioned flush.

## Flexible growth

Because the KataEX is pole mounted, arms can be added as needed to support additional monitors.

## Quality testing

Meets or exceeds ANSI/BIFMA x5.5 guidelines.

## KataEX2-F

Dual fixed monitor arm

**\$555**

MODEL # KATAEX2-DC-F-\_\_\_\_

MODEL # KATAEX2-GM-F-\_\_\_\_

## Features

Manual height adjustment

Recommended for worksurfaces  
30.0" deep or less

21.4" arm extension

7.1" arm retraction

+90°/-45° monitor tilt

±90° VESA rotation

Up to 20.0 lb. weight capacity (*per arm*)

16.0" pole height (*includes base*)

VESA 75mm/100mm quick release

180° lock-out feature

Specify a grommet mount or a desk  
clamp mount

28.0" max. monitor width

*Bezel measured left to right.*

*Max. width is contingent on weight capacity.*

Warranty: 15 yr.

## KataEX2-FF

Dual fixed + fixed monitor arm

**\$678**

MODEL # KATAEX2-DC-FF-\_\_\_\_

MODEL # KATAEX2-GM-FF-\_\_\_\_

## Features

Manual height adjustment

Recommended for worksurfaces  
36.0" deep or less

31.7" arm extension

7.1" arm retraction

+90°/-45° monitor tilt

±90° VESA rotation

Up to 20.0 lb. weight capacity (*per arm*)

16.0" pole height (*includes base*)

VESA 75mm/100mm quick release

180° lock-out feature

Specify a grommet mount or a desk  
clamp mount

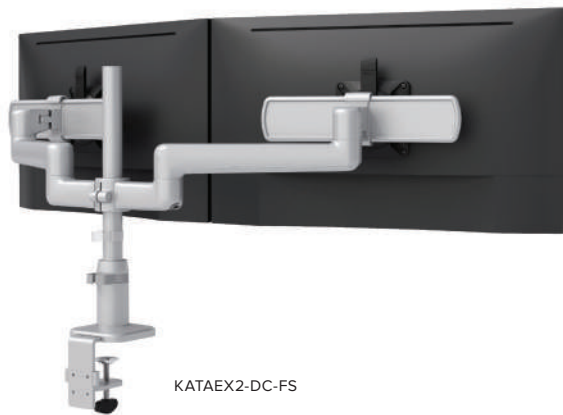
32.0" max. monitor width

*Bezel measured left to right.*

*Max. width is contingent on weight capacity.*

Warranty: 15 yr.





KATAEX2-DC-FS



KATAEX2-DC-FM

## KataEX2-FS

Dual fixed + slider monitor arm

**\$692**

MODEL # KATAEX2-DC-FS-\_\_\_\_

MODEL # KATAEX2-GM-FS-\_\_\_\_

### Features

- Manual height adjustment
- Recommended for worksurfaces 30.0" deep or less
- 22.2" arm extension
- 7.8" arm retraction
- +90°/-45° monitor tilt
- ±90° VESA rotation
- Up to 20.0 lb. weight capacity *(per arm)*
- 16.0" pole height *(includes base)*
- VESA 75mm/100mm quick release
- 180° lock-out feature
- Specify a grommet mount or a desk clamp mount
- 32.0" max. monitor width  
*Bezel measured left to right.*  
*Max. width is contingent on weight capacity.*
- Warranty: 15 yr.

## KataEX2-FM

Dual fixed + motion monitor arm

**\$819**

MODEL # KATAEX2-DC-FM-\_\_\_\_

MODEL # KATAEX2-GM-FM-\_\_\_\_

### Features

- Finger touch dynamic height adjustment
- Recommended for worksurfaces 36.0" deep or less
- 32.2" arm extension
- 5.6" arm retraction
- +90°/-45° monitor tilt
- ±90° VESA rotation
- 4.0 lb.–20.0 lb. weight capacity *(per arm)*
- 16.0" pole height *(includes base)*
- VESA 75mm/100mm quick release
- 180° lock-out feature
- Specify a grommet mount or a desk clamp mount
- 32.0" max. monitor width  
*Bezel measured left to right.*  
*Max. width is contingent on weight capacity.*
- Warranty: 15 yr.

### Monitor arm key

- F - Fixed monitor arm
- M - Motion monitor arm
- S - Slider mount

### Available mounting options

- DC - Desk clamp
- GM - Grommet mount

### Available arm finishes

- Silver -SLV
- Black -BLK
- White -WHT

### Customize the KataEX

As workstation needs change, so can the KataEX configurations. Additional components are sold separately:

- Motion arms
- Fixed arms
- Stem arms
- 28.0" pole *(height includes base)*
- Slider mounts

Contact our Customer Service Department for compatibility and pricing for custom configurations.

# Kata™ EX2



## Proprietary design

Kata has been uniquely designed for ESI.

## Connection sleeve

The unique design of the connection sleeve accommodates up to three monitor arms depending on the configuration. Allows arms to be mounted at 90°, 120° or 180°.

## Tension adjustment indicator

A clear gauge on the back of the motion arm allows users to see tension levels while adjusting the arm for various weight levels.

## KataEX motion arms

KataEX configurations that include a motion arm (M) offer finger touch dynamic height adjustment. That means the monitor can reposition up and down with ease.

## KataEX fixed arms

KataEX configurations using fixed arms (F) have manual height adjustment. They rotate left and right along the pole, offering flexibility with lateral adjustments.

## Slider mount

Position virtually any monitor side-by-side with a slider. The slider (S) offers nine and a half inches of horizontal adjustability, so even monitors of varying sizes can be positioned flush.

## Flexible growth

Because the KataEX is pole mounted, arms can be added as needed to support additional monitors.

## Quality testing

Meets or exceeds ANSI/BIFMA x5.5 guidelines.

## KataEX2-FMS

Dual fixed + motion + slider monitor arm

**\$996**

MODEL # KATAEX2-DC-FMS-\_\_\_\_

MODEL # KATAEX2-GM-FMS-\_\_\_\_

## Features

Finger touch dynamic height adjustment

Recommended for worksurfaces

36.0" deep or less

33.4" arm extension

6.6" arm retraction

+90°/-45° monitor tilt

±90° VESA rotation

2.5lb.–18.5lb. weight capacity (*per arm*)

16.0" pole height (*includes base*)

VESA 75mm/100mm quick release

180° lock-out feature

Specify a grommet mount or a desk clamp mount

32.0" max. monitor width

*Bezel measured left to right.*

*Max. width is contingent on weight capacity.*

Warranty: 15 yr.

## KataEX2-M

Dual motion monitor arm

**\$738**

MODEL # KATAEX2-DC-M-\_\_\_\_

MODEL # KATAEX2-GM-M-\_\_\_\_

## Features

Finger touch dynamic height adjustment

Recommended for worksurfaces

30.0" deep or less

21.4" arm extension

5.6" arm retraction

+90°/-45° monitor tilt

±90° VESA rotation

4.0lb.–20.0lb. weight capacity (*per arm*)

16.0" pole height (*includes base*)

VESA 75mm/100mm quick release

180° lock-out feature

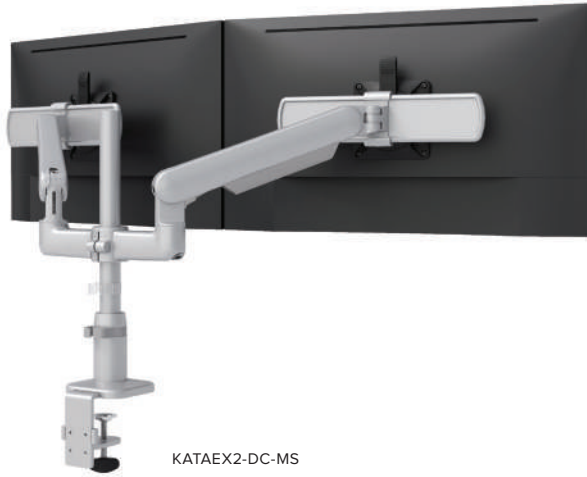
Specify a grommet mount or a desk clamp mount

27.5" max. monitor width

*Bezel measured left to right.*

*Max. width is contingent on weight capacity.*

Warranty: 15 yr.



KATAEX2-DC-MS

## KataEX2-MS

Dual motion + slider monitor arm

**\$875**

MODEL # KATAEX2-DC-MS-\_\_\_\_

MODEL # KATAEX2-GM-MS-\_\_\_\_

### Features

Finger touch dynamic height adjustment

Recommended for worksurfaces

30.0" deep or less

23.0" arm extension

6.6" arm retraction

+90°/-45° monitor tilt

±90° VESA rotation

2.5lb.–18.5lb. weight capacity *(per arm)*

16.0" pole height *(includes base)*

VESA 75mm/100mm quick release

180° lock-out feature

Specify a grommet mount or a desk clamp mount

32.0" max. monitor width

*Bezel measured left to right.*

*Max. width is contingent on weight capacity.*

Warranty: 15 yr.

### Monitor arm key

F - Fixed monitor arm

M - Motion monitor arm

S - Slider mount

### Available mounting options

DC - Desk clamp

GM - Grommet mount

### Available arm finishes

Silver -SLV

Black -BLK

White -WHT

### Customize the KataEX

As workstation needs change, so can the KataEX configurations. Additional components are sold separately:

Motion arms

Fixed arms

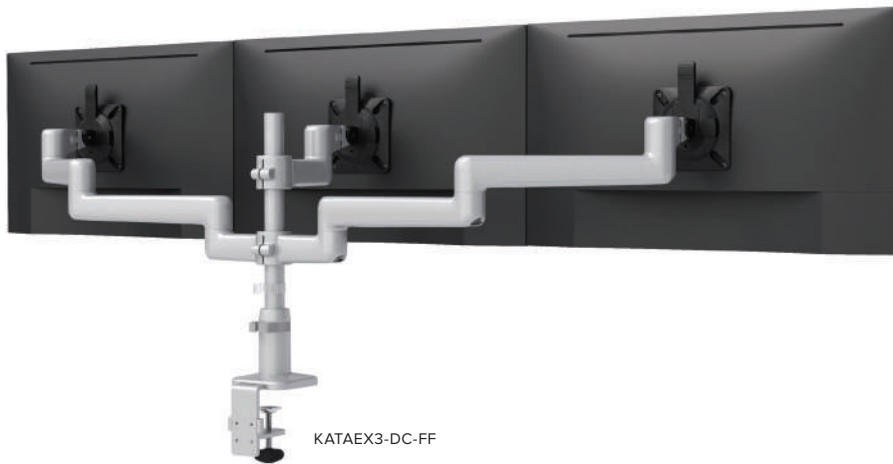
Stem arms

28.0" pole *(height includes base)*

Slider mounts

Contact our Customer Service Department for compatibility and pricing for custom configurations.

# Kata™ EX3



## Proprietary design

Kata has been uniquely designed for ESI.

## Connection sleeve

The unique design of the connection sleeve accommodates up to three monitor arms depending on the configuration. Allows arms to be mounted at 90°, 120° or 180°.

## Tension adjustment indicator

A clear gauge on the back of the motion arm allows users to see tension levels while adjusting the arm for various weight levels.

## KataEX motion arms

KataEX configurations that include a motion arm (M) offer finger touch dynamic height adjustment. That means the monitor can reposition up and down with ease.

## KataEX fixed arms

KataEX configurations using fixed arms (F) have manual height adjustment. They rotate left and right along the pole, offering flexibility with lateral adjustments.

## Slider mount

Position virtually any monitor side-by-side with a slider. The slider (S) offers nine and a half inches of horizontal adjustability, so even monitors of varying sizes can be positioned flush.

## Flexible growth

Because the KataEX is pole mounted, arms can be added as needed to support additional monitors.

## Quality testing

Meets or exceeds ANSI/BIFMA x5.5 guidelines.

## KataEX3-FF

Triple fixed + fixed monitor arm

**\$827**

MODEL # KATAEX3-DC-FF-\_\_\_\_

MODEL # KATAEX3-GM-FF-\_\_\_\_

## Features

Manual height adjustment

Recommended for worksurfaces  
30.0" deep or less

31.7" outside arm extension

11.1" center arm extension

7.1" arm retraction

+90°/-45° monitor tilt

±90° VESA rotation

Up to 20.0lb. weight capacity (*per arm*)

16.0" pole height (*includes base*)

VESA 75mm/100mm quick release

180° lock-out feature

Specify a grommet mount or a desk  
clamp mount

24.0" max. monitor width

*Bezel measured left to right.*

*Max. width is contingent on weight capacity.*

Warranty: 15 yr.



KATAEX3-DC-FMS

## KataEX3-FMS

Triple fixed + motion + slider monitor arm

**\$1,146**

MODEL # KATAEX3-DC-FMS-\_\_\_\_

MODEL # KATAEX3-GM-FMS-\_\_\_\_

### Features

Finger touch dynamic height adjustment

Recommended for worksurfaces

30.0" deep or less

33.4" outside arm extension

11.1" center arm extension

6.6" arm retraction

+90°/-45° monitor tilt *(slider & standard mount)*

±90° VESA rotation

Up to 20.0lb. weight capacity *(center arm)*

2.5lb.–18.5lb. weight capacity *(per outside arm)*

16.0" pole height *(includes base)*

VESA 75mm/100mm quick release

180° lock-out feature

Specify a grommet mount or a desk clamp mount

28.5" max. monitor width

*Bezel measured left to right.*

*Max. width is contingent on weight capacity.*

Warranty: 15 yr.

### Monitor arm key

F - Fixed monitor arm

M - Motion monitor arm

S - Slider mount

### Available mounting options

DC - Desk clamp

GM - Grommet mount

### Available arm finishes

Silver -SLV

Black -BLK

White -WHT

### Customize the KataEX

As workstation needs change, so can the KataEX configurations. Additional components are sold separately:

Motion arms

Fixed arms

Stem arms

28.0" pole *(height includes base)*

Slider mounts

*Contact our Customer Service Department for compatibility and pricing for custom configurations.*

# Kata™ EX4



## Proprietary design

Kata has been uniquely designed for ESI.

## Connection sleeve

The unique design of the connection sleeve accommodates up to three monitor arms depending on the configuration. Allows arms to be mounted at 90°, 120° or 180°.

## Tension adjustment indicator

A clear gauge on the back of the motion arm allows users to see tension levels while adjusting the arm for various weight levels.

## KataEX motion arms

KataEX configurations that include a motion arm (M) offer finger touch dynamic height adjustment. That means the monitor can reposition up and down with ease.

## KataEX fixed arms

KataEX configurations using fixed arms (F) have manual height adjustment. They rotate left and right along the pole, offering flexibility with lateral adjustments.

## Slider mount

Position virtually any monitor side-by-side with a slider. The slider (S) offers nine and a half inches of horizontal adjustability, so even monitors of varying sizes can be positioned flush.

## Quality testing

Meets or exceeds ANSI/BIFMA x5.5 guidelines.

## KataEX4-FF

Quad fixed + fixed monitor arm

**\$1,232**

MODEL # KATAEX4-DC-FF-\_\_ \_

## Features

Manual height adjustment

Recommended for worksurfaces  
36.0" deep or less

31.7" arm extension

7.1" arm retraction

+90°/-45° monitor tilt

±90° VESA rotation

Up to 20.0lb. weight capacity (*per arm*)

28.0" pole height (*includes base*)

VESA 75mm/100mm quick release

180° lock-out feature

Desk clamp mount only

32.0" max. monitor width

*Bezel measured left to right.*

*Max. width is contingent on weight capacity.*

*Note: monitor height/weight might limit size.*

Warranty: 15 yr.

## KataEX4-FM

Quad fixed + motion monitor arm

**\$1,596**

MODEL # KATAEX4-DC-FM-\_\_ \_

## Features

Finger touch dynamic height adjustment

Recommended for worksurfaces  
36.0" deep or less

32.2" arm extension

5.6" arm retraction

+90°/-45° monitor tilt

±90° VESA rotation

4.0–20.0lb. weight capacity (*per arm*)

28.0" pole height (*includes base*)

VESA 75mm/100mm quick release

180° lock-out feature

Desk clamp mount only

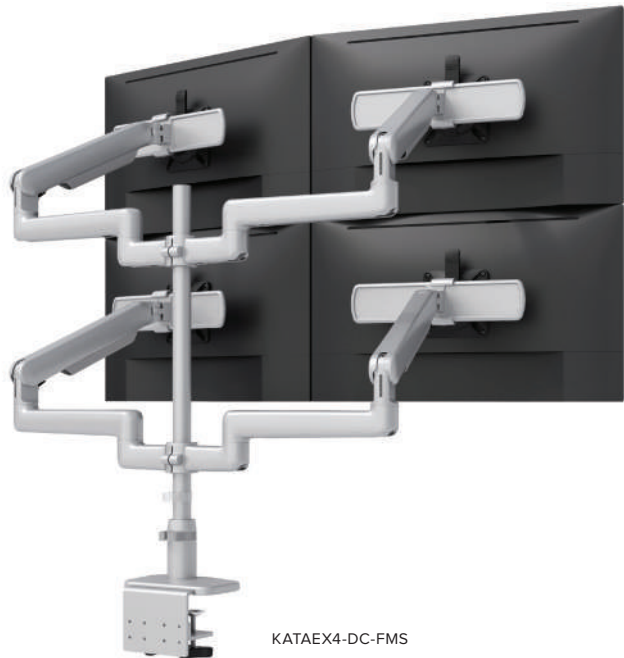
32.0" max. monitor width

*Bezel measured left to right.*

*Max. width is contingent on weight capacity.*

*Note: monitor height/weight might limit size.*

Warranty: 15 yr.



KATAEX4-DC-FMS



KATAEX4-DC-MS

### KataEX4-FMS

Quad fixed + motion + slider monitor arm

**\$1,869**

MODEL # KATAEX4-DC-FMS-\_\_\_\_

#### Features

Finger touch dynamic height adjustment

Recommended for worksurfaces  
36.0" deep or less

33.4" arm extension

6.6" arm retraction

+90°/-45° monitor tilt

±90° VESA rotation

2.5lb.–18.5lb. weight capacity *(per arm)*

28.0" pole height *(includes base)*

VESA 75mm/100mm quick release

180° lock-out feature

Desk clamp mount only

32.0" max. monitor width

*Bezel measured left to right.*

*Max. width is contingent on weight capacity.*

*Note: monitor height/weight might limit size.*

Warranty: 15 yr.

### KataEX4-MS

Quad motion + slider monitor arm

**\$1,624**

MODEL # KATAEX4-DC-MS-\_\_\_\_

#### Features

Finger touch dynamic height adjustment

Recommended for worksurfaces  
30.0" deep or less

23.0" arm extension

6.6" arm retraction

+90°/-45° monitor tilt

±90° VESA rotation

2.5lb.–18.5lb. weight capacity *(per arm)*

28.0" pole height *(includes base)*

VESA 75mm/100mm quick release

180° lock-out feature

Desk clamp mount only

32.0" max. monitor width

*Bezel measured left to right.*

*Max. width is contingent on weight capacity.*

*Note: monitor height/weight might limit size.*

Warranty: 15 yr.

#### Monitor arm key

- F - Fixed monitor arm
- M - Motion monitor arm
- S - Slider mount

#### Available mounting options

- DC - Desk clamp

#### Available arm finishes

Silver -SLV

Black -BLK

White -WHT

#### Customize the KataEX

As workstation needs change, so can the KataEX configurations. Additional components are sold separately:

- Motion arms
- Fixed arms
- Stem arms
- 16.0" pole *(height includes base)*
- Slider mounts

Contact our Customer Service Department for compatibility and pricing for custom configurations.



# Kata™ EX6



## Proprietary design

Kata has been uniquely designed for ESI.

## Connection sleeve

The unique design of the connection sleeve accommodates up to three monitor arms depending on the configuration. Allows arms to be mounted at 90°, 120° or 180°.

## Tension adjustment indicator

A clear gauge on the back of the motion arm allows users to see tension levels while adjusting the arm for various weight levels.

## KataEX motion arms

KataEX configurations that include a motion arm (M) offer finger touch dynamic height adjustment. That means the monitor can reposition up and down with ease.

## KataEX fixed arms

KataEX configurations using fixed arms (F) have manual height adjustment. They rotate left and right along the pole, offering flexibility with lateral adjustments.

## Slider mount

Position virtually any monitor side-by-side with a slider. The slider (S) offers nine and a half inches of horizontal adjustability, so even monitors of varying sizes can be positioned flush.

## Quality testing

Meets or exceeds ANSI/BIFMA x5.5 guidelines.

## KataEX6-FF

Six fixed + fixed monitor arm

**\$1,529**

MODEL # KATAEX6-DC-FF-\_\_\_\_

## Features

Manual height adjustment

Recommended for worksurfaces  
30.0" deep or less

31.7" outside arm extension

11.1" center arm extension

7.1" arm retraction

+90°/-45° monitor tilt

±90° VESA rotation

Up to 20.0 lb. weight capacity  
(per arm)

28.0" pole height (includes base)

VESA 75mm/100mm quick release

180° lock-out feature

Desk clamp mount only

24.0" max. monitor width

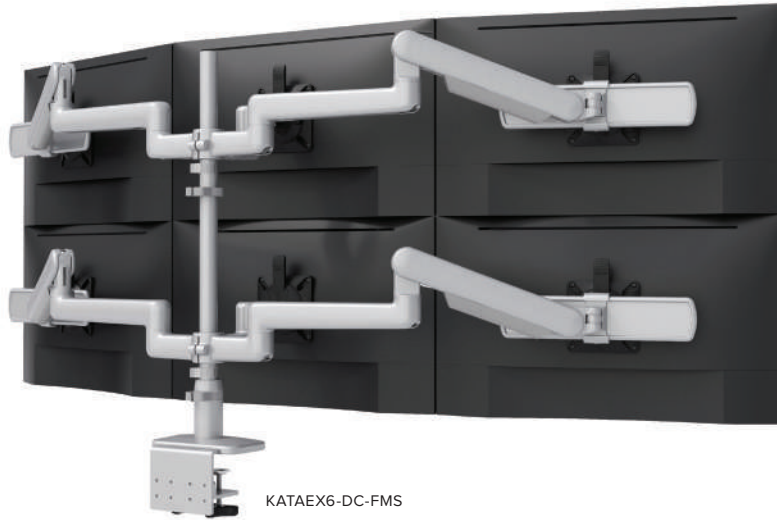
*Bezel measured left to right.*

*Max. width is contingent on weight capacity.*

*Note: monitor height/weight might limit size.*

Warranty: 15 yr.





KATAEX6-DC-FMS

## KataEX6-FMS

Six fixed + motion + slider monitor arm

**\$2,167**

MODEL # KATAEX6-DC-FMS-\_\_ \_ \_

### Features

Finger touch dynamic height adjustment

Recommended for worksurfaces  
30.0" deep or less

33.4" outside arm extension

11.1" center arm extension

6.6" arm retraction

+90°/-45° monitor tilt *(slider & standard mounts)*

±90° VESA rotation

Up to 20.0lb. weight capacity *(per center arm)*

2.5lb.–18.5lb. weight capacity *(per outside arm)*

28.0" pole height *(includes base)*

VESA 75mm/100mm quick release

180° lock-out feature

Desk clamp mount only

28.5" max. monitor width

*Bezel measured left to right.*

*Max. width is contingent on weight capacity.*

*Note: monitor height/weight might limit size.*

Warranty: 15 yr.

### Monitor arm key

F - Fixed monitor arm

M - Motion monitor arm

S - Slider mount

### Available mounting options

DC - Desk clamp

### Available arm finishes

Silver -SLV

Black -BLK

White -WHT

### Customize the KataEX

As workstation needs change, so can the KataEX configurations. Additional components are sold separately:

Motion arms

Fixed arms

Stem arms

16.0" pole *(height includes base)*

Slider mounts

Contact our Customer Service Department for compatibility and pricing for custom configurations.



Product shown: KataEX3-FMS,  
Brisa, Brazilwood worksurface

# Kata™ EX series

## KataEX-Stem

Single short fixed monitor arm



**\$295**

MODEL # KATAEX1-DC-ST-\_\_\_\_  
MODEL # KATAEX1-GM-ST-\_\_\_\_

- Silver -SLV
- Black -BLK
- White -WHT

## KataEX1-F

Single fixed monitor arm



**\$345**

MODEL # KATAEX1-DC-F-\_\_\_\_  
MODEL # KATAEX1-GM-F-\_\_\_\_

- Silver -SLV
- Black -BLK
- White -WHT

## KataEX1-FF

Single fixed + fixed monitor arm



**\$406**

MODEL # KATAEX1-DC-FF-\_\_\_\_  
MODEL # KATAEX1-GM-FF-\_\_\_\_

- Silver -SLV
- Black -BLK
- White -WHT

Manual height adjustment	Manual height adjustment	Manual height adjustment
Recommended for worksurfaces 24.0" deep or less	Recommended for worksurfaces 30.0" deep or less	Recommended for worksurfaces 36.0" deep or less
11.1" arm extension	21.4" arm extension	31.7" arm extension
11.1" arm retraction	5.6" arm retraction	7.1" arm retraction
+90°/-45° monitor tilt	+90°/-45° monitor tilt	+90°/-45° monitor tilt
±90° VESA rotation	±90° VESA rotation	±90° VESA rotation
Up to 20.0lb. weight capacity	Up to 20.0lb. weight capacity	Up to 20.0lb. weight capacity
16.0" pole height <i>(includes base)</i>	16.0" pole height <i>(includes base)</i>	16.0" pole height <i>(includes base)</i>
VESA 75mm/100mm quick release	VESA 75mm/100mm quick release	VESA 75mm/100mm quick release
–	180° lock-out feature	180° lock-out feature
Specify a grommet mount or a desk clamp mount	Specify a grommet mount or a desk clamp mount	Specify a grommet mount or a desk clamp mount
Warranty: 15 yr.	Warranty: 15 yr.	Warranty: 15 yr.

Visit our website for additional specs, dimensional drawings, alternative images and more resources for all of ESI's products.

# Kata™ EX series

## KataEX1-FM

Single fixed + motion monitor arm



**\$498**

MODEL # KATAEX1-DC-FM-\_\_\_\_  
MODEL # KATAEX1-GM-FM-\_\_\_\_

- Silver -SLV
- Black -BLK
- White -WHT

## KataEX1-M

Single motion monitor arm



**\$437**

MODEL # KATAEX1-DC-M-\_\_\_\_  
MODEL # KATAEX1-GM-M-\_\_\_\_

- Silver -SLV
- Black -BLK
- White -WHT

## KataEX1-MS

Single motion + slider monitor arm



**\$497**

MODEL # KATAEX1-DC-MS-\_\_\_\_  
MODEL # KATAEX1-GM-MS-\_\_\_\_

- Silver -SLV
- Black -BLK
- White -WHT

Finger touch dynamic height adjustment	Finger touch dynamic height adjustment	Finger touch dynamic height adjustment
Recommended for worksurfaces 36.0" deep or less	Recommended for worksurfaces 30.0" deep or less	Recommended for worksurfaces 30.0" deep or less
32.2" arm extension	21.4" arm extension	23.0" arm extension
5.6" arm retraction	7.1" arm retraction	6.6" arm retraction
+90°/-45° monitor tilt	+90°/-45° monitor tilt	+90°/-45° monitor tilt
±90° VESA rotation	±90° VESA rotation	±90° VESA rotation
4.0 lb.–20.0 lb. weight capacity	4.0 lb.–20.0 lb. weight capacity	2.5 lb.–18.5 lb. weight capacity
16.0" pole height (includes base)	16.0" pole height (includes base)	16.0" pole height (includes base)
VESA 75mm/100mm quick release	VESA 75mm/100mm quick release	VESA 75mm/100mm quick release
180° lock-out feature	180° lock-out feature	180° lock-out feature
Specify a grommet mount or a desk clamp mount	Specify a grommet mount or a desk clamp mount	Specify a grommet mount or a desk clamp mount
–	–	–
Warranty: 15 yr.	Warranty: 15 yr.	Warranty: 15 yr.

Visit our website for additional specs, dimensional drawings, alternative images and more resources for all of ESI's products.

## KataEX2-F

Dual fixed  
monitor arm



**\$555**

MODEL # KATAEX2-DC-F-\_\_\_  
MODEL # KATAEX2-GM-F-\_\_\_

- Silver -SLV
- Black -BLK
- White -WHT

## KataEX2-FF

Dual fixed + fixed  
monitor arm



**\$678**

MODEL # KATAEX2-DC-FF-\_\_\_  
MODEL # KATAEX2-GM-FF-\_\_\_

- Silver -SLV
- Black -BLK
- White -WHT

## KataEX2-FS

Dual fixed + slider  
monitor arm



**\$692**

MODEL # KATAEX2-DC-FS-\_\_\_  
MODEL # KATAEX2-GM-FS-\_\_\_

- Silver -SLV
- Black -BLK
- White -WHT

Manual height adjustment

Recommended for worksurfaces  
30.0" deep or less

21.4" arm extension

7.1" arm retraction

+90°/-45° monitor tilt

±90° VESA rotation

Up to 20.0lb. weight capacity *(per arm)*

16.0" pole height *(includes base)*

VESA 75mm/100mm quick release

180° lock-out feature

Specify a grommet mount or a  
desk clamp mount

28.0" max. monitor width  
*Bezel measured left to right.  
Max. width is contingent on weight capacity.*

Warranty: 15 yr.

Manual height adjustment

Recommended for worksurfaces  
36.0" deep or less

31.7" arm extension

7.1" arm retraction

+90°/-45° monitor tilt

±90° VESA rotation

Up to 20.0lb. weight capacity *(per arm)*

16.0" pole height *(includes base)*

VESA 75mm/100mm quick release

180° lock-out feature

Specify a grommet mount or a  
desk clamp mount

32.0" max. monitor width  
*Bezel measured left to right.  
Max. width is contingent on weight capacity.*

Warranty: 15 yr.

Manual height adjustment

Recommended for worksurfaces  
30.0" deep or less

22.2" arm extension

7.8" arm retraction

+90°/-45° monitor tilt

±90° VESA rotation

Up to 20.0lb. weight capacity *(per arm)*

16.0" pole height *(includes base)*

VESA 75mm/100mm quick release

180° lock-out feature

Specify a grommet mount or a  
desk clamp mount

32.0" max. monitor width  
*Bezel measured left to right.  
Max. width is contingent on weight capacity.*

Warranty: 15 yr.



# Kata™ EX series

## KataEX2-FM

Dual fixed + motion monitor arm



**\$819**

MODEL # KATAEX2-DC-FM-\_\_\_\_  
MODEL # KATAEX2-GM-FM-\_\_\_\_

- Silver -SLV
- Black -BLK
- White -WHT

## KataEX2-FMS

Dual fixed + motion + slider monitor arm



**\$996**

MODEL # KATAEX2-DC-FMS-\_\_\_\_  
MODEL # KATAEX2-GM-FMS-\_\_\_\_

- Silver -SLV
- Black -BLK
- White -WHT

## KataEX2-M

Dual motion monitor arm



**\$738**

MODEL # KATAEX2-DC-M-\_\_\_\_  
MODEL # KATAEX2-GM-M-\_\_\_\_

- Silver -SLV
- Black -BLK
- White -WHT

Finger touch dynamic height adjustment	Finger touch dynamic height adjustment	Finger touch dynamic height adjustment
Recommended for worksurfaces 36.0" deep or less	Recommended for worksurfaces 36.0" deep or less	Recommended for worksurfaces 30.0" deep or less
32.2" arm extension	33.4" arm extension	21.4" arm extension
–	–	–
5.6" arm retraction	6.6" arm retraction	5.6" arm retraction
+90°/-45° monitor tilt	+90°/-45° monitor tilt	+90°/-45° monitor tilt
±90° VESA rotation	±90° VESA rotation	±90° VESA rotation
4.0lb.–20.0lb. weight capacity <i>(per arm)</i>	2.5lb.–18.5lb. weight capacity <i>(per arm)</i>	4.0lb.–20.0lb. weight capacity <i>(per arm)</i>
16.0" pole height <i>(includes base)</i>	16.0" pole height <i>(includes base)</i>	16.0" pole height <i>(includes base)</i>
VESA 75mm/100mm quick release	VESA 75mm/100mm quick release	VESA 75mm/100mm quick release
180° lock-out feature	180° lock-out feature	180° lock-out feature
Specify a grommet mount or a desk clamp mount	Specify a grommet mount or a desk clamp mount	Specify a grommet mount or a desk clamp mount
32.0" max. monitor width <i>Bezel measured left to right. Max. width is contingent on weight capacity.</i>	32.0" max. monitor width <i>Bezel measured left to right. Max. width is contingent on weight capacity.</i>	27.5" max. monitor width <i>Bezel measured left to right. Max. width is contingent on weight capacity.</i>
Warranty: 15 yr.	Warranty: 15 yr.	Warranty: 15 yr.

Visit our website for additional specs, dimensional drawings, alternative images and more resources for all of ESI's products.

## KataEX2-MS

Dual motion + slider  
monitor arm



**\$875**

MODEL # KATAEX2-DC-MS-\_\_\_\_  
MODEL # KATAEX2-GM-MS-\_\_\_\_

- Silver -SLV
- Black -BLK
- White -WHT

## KataEX3-FF

Triple fixed + fixed  
monitor arm



**\$827**

MODEL # KATAEX3-DC-FF-\_\_\_\_  
MODEL # KATAEX3-GM-FF-\_\_\_\_

- Silver -SLV
- Black -BLK
- White -WHT

## KataEX3-FMS

Triple fixed + motion + slider  
monitor arm



**\$1,146**

MODEL # KATAEX3-DC-FMS-\_\_\_\_  
MODEL # KATAEX3-GM-FMS-\_\_\_\_

- Silver -SLV
- Black -BLK
- White -WHT

Finger touch dynamic height adjustment	Manual height adjustment	Finger touch dynamic height adjustment
Recommended for worksurfaces 30.0" deep or less	Recommended for worksurfaces 30.0" deep or less	Recommended for worksurfaces 30.0" deep or less
23.0" arm extension	31.7" outside arm extension	33.4" outside arm extension
–	11.1" center arm extension	11.1" center arm extension
6.6" arm retraction	7.1" arm retraction	6.6" arm retraction
+90°/-45° monitor tilt	+90°/-45° monitor tilt	+90°/-45° monitor tilt <i>(slider &amp; standard mounts)</i>
±90° VESA rotation	±90° VESA rotation	±90° VESA rotation
2.5lb.–18.5lb. weight capacity <i>(per arm)</i>	Up to 20.0lb. weight capacity <i>(per arm)</i>	Up to 20.0lb. weight capacity <i>(center arm)</i> 2.5lb.–18.5lb. weight capacity <i>(per outside arm)</i>
16.0" pole height <i>(includes base)</i>	16.0" pole height <i>(includes base)</i>	16.0" pole height <i>(includes base)</i>
VESA 75mm/100mm quick release	VESA 75mm/100mm quick release	VESA 75mm/100mm quick release
180° lock-out feature	180° lock-out feature	180° lock-out feature
Specify a grommet mount or a desk clamp mount	Specify a grommet mount or a desk clamp mount	Specify a grommet mount or a desk clamp mount
32.0" max. monitor width <i>Bezel measured left to right.</i> <i>Max. width is contingent on weight capacity.</i>	24.0" max. monitor width <i>Bezel measured left to right.</i> <i>Max. width is contingent on weight capacity.</i>	28.5" max. monitor width <i>Bezel measured left to right.</i> <i>Max. width is contingent on weight capacity.</i>
Warranty: 15 yr.	Warranty: 15 yr.	Warranty: 15 yr.

# Kata™ EX series

## KataEX4-FF

Quad fixed + fixed monitor arm



**\$1,232**

MODEL # KATAEX4-DC-FF-\_\_ \_

- Silver -SLV
- Black -BLK
- White -WHT

## KataEX4-FM

Quad fixed + motion monitor arm



**\$1,596**

MODEL # KATAEX4-DC-FM-\_\_ \_

- Silver -SLV
- Black -BLK
- White -WHT

## KataEX4-FMS

Quad fixed + motion + slider monitor arm



**\$1,869**

MODEL # KATAEX4-DC-FMS-\_\_ \_

- Silver -SLV
- Black -BLK
- White -WHT

Manual height adjustment	Finger touch dynamic height adjustment	Finger touch dynamic height adjustment
Recommended for worksurfaces 36.0" deep or less	Recommended for worksurfaces 36.0" deep or less	Recommended for worksurfaces 36.0" deep or less
31.7" arm extension	32.2" arm extension	33.4" arm extension
—	—	—
7.1" arm retraction	5.6" arm retraction	6.6" arm retraction
+90°/-45° monitor tilt	+90°/-45° monitor tilt	+90°/-45° monitor tilt
±90° VESA rotation	±90° VESA rotation	±90° VESA rotation
Up to 20.0 lb. weight capacity <i>(per arm)</i>	4.0 lb.–20.0 lb. weight capacity <i>(per arm)</i>	2.5 lb.–18.5 lb. weight capacity <i>(per arm)</i>
28.0" pole height <i>(includes base)</i>	28.0" pole height <i>(includes base)</i>	28.0" pole height <i>(includes base)</i>
VESA 75mm/100mm quick release	VESA 75mm/100mm quick release	VESA 75mm/100mm quick release
180° lock-out feature	180° lock-out feature	180° lock-out feature
Desk clamp mount only	Desk clamp mount only	Desk clamp mount only
32.0" max. monitor width <i>Bezel measured left to right.</i> <i>Max. width is contingent on weight capacity.</i> <i>Note: monitor height/weight might limit size.</i>	32.0" max. monitor width <i>Bezel measured left to right.</i> <i>Max. width is contingent on weight capacity.</i> <i>Note: monitor height/weight might limit size.</i>	32.0" max. monitor width <i>Bezel measured left to right.</i> <i>Max. width is contingent on weight capacity.</i> <i>Note: monitor height/weight might limit size.</i>
Warranty: 15 yr.	Warranty: 15 yr.	Warranty: 15 yr.

Visit our website for additional specs, dimensional drawings, alternative images and more resources for all of ESI's products.

## KataEX4-MS

Quad motion + slider  
monitor arm



**\$1,624**

MODEL # KATAEX4-DC-MS-\_\_ \_

- Silver -SLV
- Black -BLK
- White -WHT

## KataEX6-FF

Six fixed + fixed  
monitor arm



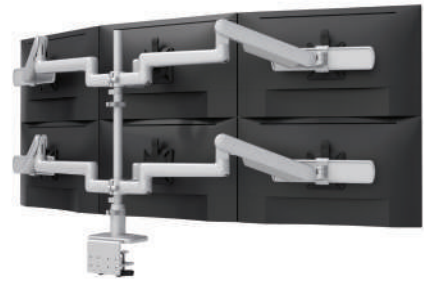
**\$1,529**

MODEL # KATAEX6-DC-FF-\_\_ \_

- Silver -SLV
- Black -BLK
- White -WHT

## KataEX6-FMS

Six fixed + motion + slider  
monitor arm



**\$2,167**

MODEL # KATAEX6-DC-FMS-\_\_ \_

- Silver -SLV
- Black -BLK
- White -WHT

Finger touch dynamic height adjustment	Manual height adjustment	Finger touch dynamic height adjustment
Recommended for worksurfaces 30.0" deep or less	Recommended for worksurfaces 30.0" deep or less	Recommended for worksurfaces 30.0" deep or less
23.0" arm extension	31.7" outside arm extension	33.4" outside arm extension
—	11.1" center arm extension	11.1" center arm extension
6.6" arm retraction	7.1" arm retraction	6.6" arm retraction
+90°/-45° monitor tilt	+90°/-45° monitor tilt	+90°/-45° monitor tilt <i>(slider &amp; standard mounts)</i>
±90° VESA rotation	±90° VESA rotation	±90° VESA rotation
2.5 lb.–18.5 lb. weight capacity <i>(per arm)</i>	Up to 20.0 lb. weight capacity <i>(per arm)</i>	Up to 20.0 lb. weight capacity <i>(per center arm)</i> 2.5 lb.–18.5 lb. weight capacity <i>(per outside arm)</i>
28.0" pole height <i>(includes base)</i>	28.0" pole height <i>(includes base)</i>	28.0" pole height <i>(includes base)</i>
VESA 75mm/100mm quick release	VESA 75mm/100mm quick release	VESA 75mm/100mm quick release
180° lock-out feature	180° lock-out feature	180° lock-out feature
Desk clamp mount only	Desk clamp mount only	Desk clamp mount only
32.0" max. monitor width <i>Bezel measured left to right.</i> <i>Max. width is contingent on weight capacity.</i> <i>Note: monitor height/weight might limit size.</i>	24.0" max. monitor width <i>Bezel measured left to right.</i> <i>Max. width is contingent on weight capacity.</i> <i>Note: monitor height/weight might limit size.</i>	28.5" max. monitor width <i>Bezel measured left to right.</i> <i>Max. width is contingent on weight capacity.</i> <i>Note: monitor height/weight might limit size.</i>
Warranty: 15 yr.	Warranty: 15 yr.	Warranty: 15 yr.

# Kata™



## Kata

Single monitor arm

**\$400**

MODEL # KATA-DC-\_\_\_\_

MODEL # KATA-GM-\_\_\_\_

### Proprietary design

Kata has been uniquely designed for ESI.

### Designer styling

Refinement is achieved with an ideal balance of flow and support. Distinctive in appearance, the scaled down design emphasizes the key pivot points, making adjustments intuitive and effortless.

### Tension adjustment indicator

A clear gauge on the back of the arm allows users to see tension levels while adjusting the arm for various weight levels.

### Conversion

Reuse most of the parts in your single Kata arm when you convert up to the dual Kata2 with our simple kit. Conversion kit sold separately.

## Features

Finger touch dynamic height adjustment

Recommended for worksurfaces  
36.0" deep or less

14.0" height adjustment range  
7.5"–21.5" (low/high)

24.6" arm extension

5.5" arm retraction

+90°/-25° monitor tilt

±90° VESA rotation

4.0 lb.–20.0 lb. weight capacity

VESA 75mm/100mm quick release

180° lock-out feature

Specify a grommet mount or a desk  
clamp mount

Tension adjustment indicator for precision  
installation

Partially assembled for quick installation

Integrated cord management

Integrated tool holder

Warranty: 15 yr.



## Available mounting options

DC - Desk clamp

GM - Grommet mount

## Available arm finishes

Silver -SLV

Black -BLK

White -WHT

## Kata2 conversion kit

Converts an existing Kata single  
monitor arm to a Kata2 dual arm.

Kit includes:

One static arm

One motion arm

One dual base (*specify a grommet  
mount or a desk clamp mount*)

**\$422**

MODEL # KATA2KIT-DC-\_\_\_\_

MODEL # KATA2KIT-GM-\_\_\_\_

*Available in silver, black and white*



# Kata™ 2



## Kata2

Dual monitor arm

**\$752**

MODEL # KATA2-DC- \_\_\_\_

MODEL # KATA2-GM- \_\_\_\_

### Proprietary design

Kata has been uniquely designed for ESI.

### Designer styling

Refinement is achieved with an ideal balance of flow and support. Distinctive in appearance, the scaled down design emphasizes the key pivot points, making adjustments intuitive and effortless.

### Tension adjustment indicator

A clear gauge on the back of the arm allows users to see tension levels while adjusting the arm for various weight levels.

### Dual monitor arms

Can support two monitors up to 32 inches wide.

## Features

Finger touch dynamic height adjustment

Recommended for worksurfaces

36.0" deep or less

14.0" height adjustment range

7.5"–21.5" (low/high)

24.6" arm extension

5.5" arm retraction

+90°/-25° monitor tilt

±90° VESA rotation

4.0 lb.–20.0 lb. weight capacity (*per arm*)

VESA 75mm/100mm quick release

180° lock-out feature

Specify a grommet mount or a desk clamp mount

Tension adjustment indicator for precision installation

Partially assembled for quick installation

Integrated cord management

Integrated tool holder

32.0" max. monitor width

*Bezel measured left to right.*

*Max. width is contingent on weight capacity.*

Warranty: 15 yr.



## Available mounting options

DC - Desk clamp

GM - Grommet mount

## Available arm finishes

Silver -SLV

Black -BLK

White -WHT

# Kata™ 2-MS



## Kata2-MS

Dual monitor arm

**\$752**

MODEL # KATA2-MS-DC- \_\_\_\_

MODEL # KATA2-MS-GM- \_\_\_\_

### Proprietary design

Kata has been uniquely designed for ESI.

### Designer styling

Refinement is achieved with an ideal balance of flow and support. Distinctive in appearance, the scaled down design emphasizes the key pivot points, making adjustments intuitive and effortless.

### Tension adjustment indicator

A clear gauge on the back of the arm allows users to see tension levels while adjusting the arm for various weight levels.

### Dual monitor arms

Can support two monitors up to 32 inches wide.

### Slider mount

Position virtually any monitor side-by-side with a slider. The slider offers nine and a half inches of horizontal adjustability, so even monitors of varying sizes can be positioned flush.

### Features

Finger touch dynamic height adjustment

Recommended for worksurfaces

30.0" deep or less

14.0" height adjustment range

3.0"–17.0" (low/high)

18.7" arm extension

6.5" arm retraction

+90°/-25° monitor tilt

±90° VESA rotation

2.5lb.–18.5lb. weight capacity (*per arm*)

VESA 75mm/100mm quick release

180° lock-out feature

Specify a grommet mount or a desk clamp mount

Tension adjustment indicator for precision installation

Partially assembled for quick installation

Integrated cord management

Integrated tool holder

32.0" max. monitor width

*Bezel measured left to right.*

*Max. width is contingent on weight capacity.*

Warranty: 15 yr.

### Available mounting options

DC - Desk clamp

GM - Grommet mount

### Available arm finishes

Silver -SLV

Black -BLK

White -WHT

# Kata™ series

## Kata

Single monitor arm



**\$400**

MODEL # KATA-DC-\_\_\_

MODEL # KATA-GM-\_\_\_

Silver -SLV

Black -BLK

White -WHT

## Kata2

Dual monitor arm



**\$752**

MODEL # KATA2-DC-\_\_\_

MODEL # KATA2-GM-\_\_\_

Silver -SLV

Black -BLK

White -WHT

## Kata2-MS

Dual monitor arm with sliders



**\$752**

MODEL # KATA2-MS-DC-\_\_\_

MODEL # KATA2-MS-GM-\_\_\_

Silver -SLV

Black -BLK

White -WHT

Finger touch dynamic height adjustment

Recommended for worksurfaces  
36.0" deep or less

14.0" height adjustment range  
7.5"–21.5" (low/high)

24.6" arm extension

5.5" arm retraction

+90°/-25° monitor tilt

±90° VESA rotation

4.0lb.–20.0lb. weight capacity

VESA 75mm/100mm quick release

180° lock-out feature

Specify a grommet mount or a desk  
clamp mount

Tension adjustment indicator for precision  
installation

Partially assembled for quick installation

Integrated cord management

–

Warranty: 15 yr.



Finger touch dynamic height adjustment

Recommended for worksurfaces  
36.0" deep or less

14.0" height adjustment range  
7.5"–21.5" (low/high)

24.6" arm extension

5.5" arm retraction

+90°/-25° monitor tilt

±90° VESA rotation

4.0lb.–20.0lb. weight capacity *(per arm)*

VESA 75mm/100mm quick release

180° lock-out feature

Specify a grommet mount or a desk  
clamp mount

Tension adjustment indicator for precision  
installation

Partially assembled for quick installation

Integrated cord management

32.0" max. monitor width  
*Bezel measured left to right.  
Max. width is contingent on weight capacity.*

Warranty: 15 yr.



Finger touch dynamic height adjustment

Recommended for worksurfaces  
30.0" deep or less

14.0" height adjustment range  
3.0"–17.0" (low/high)

18.7" arm extension

6.5" arm retraction

+90°/-25° monitor tilt

±90° VESA rotation

2.5lb.–18.5lb. weight capacity *(per arm)*

VESA 75mm/100mm quick release

180° lock-out feature

Specify a grommet mount or a desk  
clamp mount

Tension adjustment indicator for precision  
installation

Partially assembled for quick installation

Integrated cord management

32.0" max. monitor width  
*Bezel measured left to right.  
Max. width is contingent on weight capacity.*

Warranty: 15 yr.



Visit our website for additional specs, dimensional drawings, alternative images and more resources for all of ESI's products.



Monitor arms

# Evolve series

*Product shown: Evolve2-FM,  
Designer White worksurface*





*Product shown: Evolve3-FMS,  
Designer White worksurface, Railway,  
VictoryLX 3-leg, Centro*



# Evolve1



EVOLVE-STUBBY



EVOLVE1-F

## Evolve motion arms

Evolve configurations that include a motion arm (M) offer finger touch dynamic height adjustment. That means the monitor can reposition up and down with ease.

## Evolve fixed arms

Evolve configurations using fixed arms (F) have manual height adjustment. They rotate left and right along the pole, offering flexibility with lateral adjustments.

## Flexible growth

Because the Evolve is pole mounted, arms can be added as needed to support additional monitors.

## Quality testing

Meets or exceeds BIFMA x5.5 and CSA CAN/CGSB44.227 guidelines.

## Evolve Stubby

Single short fixed monitor arm

**\$266**

MODEL # EVOLVE-STUBBY-\_\_\_\_

### Features

Manual height adjustment

Recommended for worksurfaces  
24.0" deep or less

8.0" arm extension

8.0" arm retraction

+90°/-25° monitor tilt

±90° VESA rotation

Up to 20.0 lb. weight capacity

18.0" pole height *(includes base)*

VESA 75mm/100mm quick release

Desk clamp and grommet mount included

Warranty: 15 yr.



## Evolve1-F

Single fixed monitor arm

**\$323**

MODEL # EVOLVE1-F-\_\_\_\_

### Features

Manual height adjustment

Recommended for worksurfaces  
30.0" deep or less

18.2" arm extension

4.1" arm retraction

+90°/-25° monitor tilt

±90° VESA rotation

Up to 20.0 lb. weight capacity

18.0" pole height *(includes base)*

VESA 75mm/100mm quick release

180° lock-out feature

Desk clamp and grommet mount included

Warranty: 15 yr.





EVOLVE1-FF



EVOLVE1-FM

### Evolve1-FF

Single fixed + fixed monitor arm

**\$381**

MODEL # EVOLVE1-FF-\_\_\_\_

#### Features

- Manual height adjustment
- Recommended for worksurfaces 36.0" deep or less
- 28.9" arm extension
- 4.1" arm retraction
- +90°/-25° monitor tilt
- ±90° VESA rotation
- Up to 20.0 lb. weight capacity
- 18.0" pole height *(includes base)*
- VESA 75mm/100mm quick release
- 180° lock-out feature
- Desk clamp and grommet mount included
- Warranty: 15 yr.



### Evolve1-FM

Single fixed + motion monitor arm

**\$466**

MODEL # EVOLVE1-FM-\_\_\_\_

#### Features

- Finger touch dynamic height adjustment
- Recommended for worksurfaces 36.0" deep or less
- 29.2" arm extension
- 4.1" arm retraction
- +90°/-25° monitor tilt
- ±90° VESA rotation
- 6.5 lb.–17.6 lb. weight capacity
- 18.0" pole height *(includes base)*
- VESA 75mm/100mm quick release
- 180° lock-out feature
- Desk clamp and grommet mount included
- Warranty: 15 yr.



#### Monitor arm key

- F - Fixed monitor arm
- M - Motion monitor arm
- S - Slider mount

#### Available arm finishes

- Silver -SLV
- Black -BLK
- White -WHT

#### Customize the Evolve

As workstation needs change, so can the Evolve configurations. Additional components are sold separately:

- Motion arms
- Fixed arms
- Stubby arms
- 30.0" pole *(height includes base)*
- Slider mounts

Contact our Customer Service Department for compatibility and pricing for custom configurations.

# Evolve1



EVOLVE1-M

## Evolve motion arms

Evolve configurations that include a motion arm (M) offer finger touch dynamic height adjustment. That means the monitor can reposition up and down with ease.

## Slider mount

Position virtually any monitor side-by-side with a slider. The slider (S) offers eight and a half inches of horizontal adjustability, so even monitors of varying sizes can be positioned flush.

## Flexible growth

Because the Evolve is pole mounted, arms can be added as needed to support additional displays.

## Quality testing

Meets or exceeds BIFMA x5.5 and CSA CAN/CGSB44.227 guidelines.

## Evolve1-M

Single motion monitor arm

**\$408**

MODEL # EVOLVE1-M-\_\_ \_

## Features

Finger touch dynamic height adjustment

Recommended for worksurfaces  
30.0" deep or less

18.4" arm extension

4.1" arm retraction

+90°/-25° monitor tilt

±90° VESA rotation

6.5 lb.–17.6 lb. weight capacity

18.0" pole height *(includes base)*

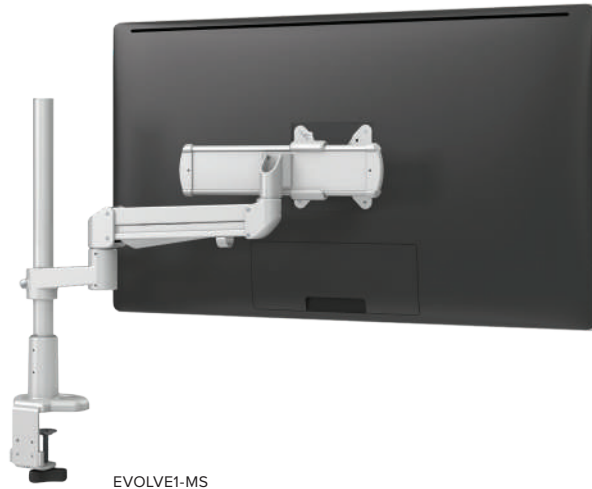
VESA 75mm/100mm quick release

180° lock-out feature

Desk clamp and grommet mount included

Warranty: 15 yr.





## Evolve1-MS

Single motion + slider monitor arm

**\$465**

MODEL # EVOLVE1-MS-\_\_\_\_

### Features

Finger touch dynamic height adjustment

Recommended for worksurfaces  
30.0" deep or less

21.2" arm extension

6.7" arm retraction

+80°/-60° monitor tilt

±90° VESA rotation

4.4lb.-15.4lb. weight capacity

18.0" pole height *(includes base)*

VESA 75mm/100mm quick release

180° lock-out feature

Desk clamp and grommet mount included

Warranty: 15 yr.



### Monitor arm key

F - Fixed monitor arm  
M - Motion monitor arm  
S - Slider mount

### Available arm finishes

Silver -SLV

Black -BLK

White -WHT

### Customize the Evolve

As workstation needs change, so can the Evolve configurations. Additional components are sold separately:

- Motion arms
- Fixed arms
- Stubby arms
- 30.0" pole *(height includes base)*
- Slider mounts

Contact our Customer Service Department for compatibility and pricing for custom configurations.

### Evolve conversion kit - 1MS2MS

Converts an existing Evolve1-MS single monitor arm to an Evolve2-MS dual arm.

Kit includes:

- One slider
- One motion arm
- One arm stem

**\$352**

MODEL # EVOLVEKIT1MS2MS-\_\_\_\_

*Available in silver, black and white*

# Evolve2



EVOLVE2-F



EVOLVE2-FF

## Evolve motion arms

Evolve configurations that include a motion arm (M) offer finger touch dynamic height adjustment. That means the monitor can reposition up and down with ease.

## Evolve fixed arms

Evolve configurations using fixed arms (F) have manual height adjustment. They rotate left and right along the pole, offering flexibility with lateral adjustments.

## Slider mount

Position virtually any monitor side-by-side with a slider. The slider (S) offers eight and a half inches of horizontal adjustability, so even monitors of varying sizes can be positioned flush.

## Flexible growth

Because the Evolve is pole mounted, arms can be added as needed to support additional monitors.

## Quality testing

Meets or exceeds BIFMA x5.5 and CSA CAN/CGSB44.227 guidelines.

## Evolve2-F

Dual fixed monitor arm

**\$520**

MODEL # EVOLVE2-F-\_\_\_

### Features

Manual height adjustment

Recommended for worksurfaces  
30.0" deep or less

18.2" arm extension

4.1" arm retraction

+90°/-25° monitor tilt

±90° VESA rotation

Up to 20.0 lb. weight capacity *(per arm)*

18.0" pole height *(includes base)*

VESA 75mm/100mm quick release

180° lock-out feature

Desk clamp and grommet mount included

28.0" max. monitor width

*Bezel measured left to right.*

*Max. width is contingent on weight capacity.*

Warranty: 15 yr.



## Evolve2-FF

Dual fixed + fixed monitor arm

**\$635**

MODEL # EVOLVE2-FF-\_\_\_

### Features

Manual height adjustment

Recommended for worksurfaces  
36.0" deep or less

28.9" arm extension

4.1" arm retraction

+90°/-25° monitor tilt

±90° VESA rotation

Up to 20.0 lb. weight capacity *(per arm)*

18.0" pole height *(includes base)*

VESA 75mm/100mm quick release

180° lock-out feature

Desk clamp and grommet mount included

32.0" max. monitor width

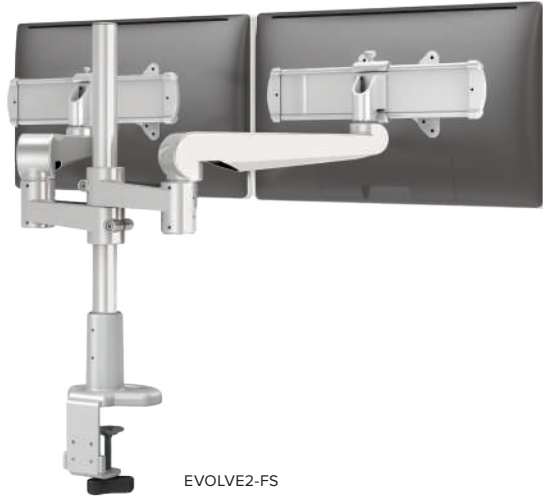
*Bezel measured left to right.*

*Max. width is contingent on weight capacity.*

Warranty: 15 yr.







EVOLVE2-FS



EVOLVE2-FM

## Evolve2-FS

Dual fixed + slider monitor arm

**\$648**

MODEL # EVOLVE2-FS-\_\_\_

### Features

Manual height adjustment

Recommended for worksurfaces  
30.0" deep or less

21.2" arm extension

6.7" arm retraction

+80°/-60° monitor tilt

±90° VESA rotation

Up to 18.5lb. weight capacity *(per arm)*

18.0" pole height *(includes base)*

VESA 75mm/100mm quick release

180° lock-out feature

Desk clamp and grommet mount included

28.0" max. monitor width

*Bezel measured left to right.  
Max. width is contingent on weight capacity.*

Warranty: 15 yr.



## Evolve2-FM

Dual fixed + motion monitor arm

**\$767**

MODEL # EVOLVE2-FM-\_\_\_

### Features

Finger touch dynamic height adjustment

Recommended for worksurfaces  
36.0" deep or less

29.2" arm extension

4.1" arm retraction

+90°/-25° monitor tilt

±90° VESA rotation

6.5lb.–17.6lb. weight capacity *(per arm)*

18.0" pole height *(includes base)*

VESA 75mm/100mm quick release

180° lock-out feature

Desk clamp and grommet mount included

32.0" max. monitor width

*Bezel measured left to right.  
Max. width is contingent on weight capacity.*

Warranty: 15 yr.



### Monitor arm key

- F - Fixed monitor arm
- M - Motion monitor arm
- S - Slider mount

### Available arm finishes

- Silver -SLV
- Black -BLK
- White -WHT

### Customize the Evolve

As workstation needs change, so can the Evolve configurations. Additional components are sold separately:

- Motion arms
- Fixed arms
- Stubby arms
- 30.0" pole *(height includes base)*
- Slider mounts

Contact our Customer Service Department for compatibility and pricing for custom configurations.

# Evolve2



EVOLVE2-FMS



EVOLVE2-M

## Evolve motion arms

Evolve configurations that include a motion arm (M) offer finger touch dynamic height adjustment. That means the monitor can reposition up and down with ease.

## Evolve fixed arms

Evolve configurations using fixed arms (F) have manual height adjustment. They rotate left and right along the pole, offering flexibility with lateral adjustments.

## Slider mount

Position virtually any monitor side-by-side with a slider. The slider (S) offers eight and a half inches of horizontal adjustability, so even monitors of varying sizes can be positioned flush.

## Flexible growth

Because the Evolve is pole mounted, arms can be added as needed to support additional monitors.

## Quality testing

Meets or exceeds BIFMA x5.5 and CSA CAN/CGSB44.227 guidelines.

## Evolve2-FMS

Dual fixed + motion + slider monitor arm

**\$933**

MODEL # EVOLVE2-FMS-\_\_\_\_

### Features

Finger touch dynamic height adjustment

Recommended for worksurfaces  
36.0" deep or less

31.4" arm extension

6.7" arm retraction

+80°/-60° monitor tilt

±90° VESA rotation

4.4lb.–15.4lb. weight capacity *(per arm)*

18.0" pole height *(includes base)*

VESA 75mm/100mm quick release

180° lock-out feature

Desk clamp and grommet mount included

32.0" max. monitor width

*Bezel measured left to right.*

*Max. width is contingent on weight capacity.*

Warranty: 15 yr.



## Evolve2-M

Dual motion monitor arm

**\$691**

MODEL # EVOLVE2-M-\_\_\_\_

### Features

Finger touch dynamic height adjustment

Recommended for worksurfaces  
30.0" deep or less

18.4" arm extension

4.1" arm retraction

+90°/-25° monitor tilt

±90° VESA rotation

6.5lb.–17.6lb. weight capacity *(per arm)*

18.0" pole height *(includes base)*

VESA 75mm/100mm quick release

180° lock-out feature

Desk clamp and grommet mount included

28.0" max. monitor width

*Bezel measured left to right.*

*Max. width is contingent on weight capacity.*

Warranty: 15 yr.





EVOLVE2-MS

## Evolve2-MS

Dual motion + slider monitor arm

**\$819**

MODEL # EVOLVE2-MS-\_\_\_

### Features

Finger touch dynamic height adjustment

Recommended for worksurfaces  
30.0" deep or less

21.2" arm extension

6.7" arm retraction

+80°/-60° monitor tilt

±90° VESA rotation

4.4lb.-15.4lb. weight capacity *(per arm)*

18.0" pole height *(includes base)*

VESA 75mm/100mm quick release

180° lock-out feature

Desk clamp and grommet mount included

32.0" max. monitor width

*Bezel measured left to right.*

*Max. width is contingent on weight capacity.*

Warranty: 15 yr.



### Monitor arm key

F - Fixed monitor arm

M - Motion monitor arm

S - Slider mount

### Available arm finishes

Silver -SLV

Black -BLK

White -WHT

### Customize the Evolve

As workstation needs change, so can the Evolve configurations. Additional components are sold separately:

Motion arms

Fixed arms

Stubby arms

30.0" pole *(height includes base)*

Slider mounts

Contact our Customer Service Department for compatibility and pricing for custom configurations.

# Evolve3



Evolve3-FF

## Evolve motion arms

Evolve configurations that include a motion arm (M) offer finger touch dynamic height adjustment. That means the monitor can reposition up and down with ease.

## Evolve fixed arms

Evolve configurations using fixed arms (F) have manual height adjustment. They rotate left and right along the pole, offering flexibility with lateral adjustments.

## Slider mount

Position virtually any monitor side-by-side with a slider. The slider (S) offers eight and a half inches of horizontal adjustability, so even monitors of varying sizes can be positioned flush.

## Flexible growth

Because the Evolve is pole mounted, arms can be added as needed to support additional monitors.

## Quality testing

Meets or exceeds BIFMA x5.5 and CSA CAN/CGSB44.227 guidelines.

## Evolve3-FF

Triple fixed + fixed monitor arm

**\$774**

MODEL # EVOLVE3-FF-\_\_ \_

## Features

Manual height adjustment

Recommended for worksurfaces  
30.0" deep or less

28.9" outside arm extension

8.0" center arm extension

4.1" arm retraction

+90°/-25° monitor tilt

±90° VESA rotation

Up to 20.0lb. weight capacity (*per arm*)

18.0" pole height (*includes base*)

VESA 75mm/100mm quick release

180° lock-out feature

Desk clamp and grommet mount included

21.5" max. monitor width

*Bezel measured left to right.*

*Max. width is contingent on weight capacity.*

Warranty: 15 yr.





Evolve3-FMS

## Evolve3-FMS

Triple fixed + motion + slider monitor arm

**\$1,073**

MODEL # EVOLVE3-FMS-\_\_\_

### Features

Finger touch dynamic height adjustment

Recommended for worksurfaces  
30.0" deep or less

31.4" outside arm extension

8.0" center arm extension

6.7" arm retraction

+80°/-60° monitor tilt (*slider mount*)

+90°/-25° monitor tilt (*center mount*)

±90° VESA rotation

Up to 20.0lb. weight capacity (*center arm*)

4.4lb.–15.4lb. weight capacity (*per outside arm*)

18.0" pole height (*includes base*)

VESA 75mm/100mm quick release

180° lock-out feature

Desk clamp and grommet mount included

24.5" max. monitor width

*Bezel measured left to right.*

*Max. width is contingent on weight capacity.*

Warranty: 15 yr.



### Monitor arm key

- F - Fixed monitor arm
- M - Motion monitor arm
- S - Slider mount

### Available arm finishes

- Silver -SLV
- Black -BLK
- White -WHT

### Customize the Evolve

As workstation needs change, so can the Evolve configurations. Additional components are sold separately:

- Motion arms
- Fixed arms
- Stubby arms
- 30.0" pole (*height includes base*)
- Slider mounts

*Contact our Customer Service Department for compatibility and pricing for custom configurations.*



# Evolve4



Evolve4-FF



Evolve4-FM

## Evolve motion arms

Evolve configurations that include a motion arm (M) offer finger touch dynamic height adjustment. That means the monitor can reposition up and down with ease.

## Evolve fixed arms

Evolve configurations using fixed arms (F) have manual height adjustment. They rotate left and right along the pole, offering flexibility with lateral adjustments.

## Slider mount

Position virtually any monitor side-by-side with a slider. The slider (S) offers eight and a half inches of horizontal adjustability, so even monitors of varying sizes can be positioned flush.

## 30 inch pole

With additional monitors, a 30 inch pole accommodates the height growth of these configurations.

## Quality testing

Meets or exceeds BIFMA x5.5 and CSA CAN/CGSB44.227 guidelines.

## Evolve4-FF

Quad fixed + fixed monitor arm

**\$1,153**

MODEL # EVOLVE4-FF-\_\_ \_\_

### Features

Manual height adjustment

Recommended for worksurfaces  
36.0" deep or less

28.9" arm extension

4.1" arm retraction

+90°/-25° monitor tilt

±90° VESA rotation

Up to 20.0lb. weight capacity (*per arm*)

30.0" pole height (*includes base*)

VESA 75mm/100mm quick release

180° lock-out feature

Desk clamp and grommet mount included

32.0" max. monitor width

*Bezel measured left to right.*

*Max. width is contingent on weight capacity.*

*Note: monitor height/weight might limit size.*

Warranty: 15 yr.



## Evolve4-FM

Quad fixed + motion monitor arm

**\$1,494**

MODEL # EVOLVE4-FM-\_\_ \_\_

### Features

Finger touch dynamic height adjustment

Recommended for worksurfaces  
36.0" deep or less

29.2" arm extension

4.1" arm retraction

+90°/-25° monitor tilt

±90° VESA rotation

6.5lb.–17.6lb. weight capacity (*per arm*)

30.0" pole height (*includes base*)

VESA 75mm/100mm quick release

180° lock-out feature

Desk clamp and grommet mount included

32.0" max. monitor width

*Bezel measured left to right.*

*Max. width is contingent on weight capacity.*

*Note: monitor height/weight might limit size.*

Warranty: 15 yr.





Evolve4-FMS



Evolve4-MS

## Evolve4-FMS

Quad fixed + motion + slider monitor arm

**\$1,750**

MODEL # EVOLVE4-FMS-\_\_\_\_

### Features

Finger touch dynamic height adjustment

Recommended for worksurfaces  
36.0" deep or less

31.4" arm extension

6.7" arm retraction

+80°/-60° monitor tilt

±90° VESA rotation

4.4lb.–15.4lb. weight capacity *(per arm)*

30.0" pole height *(includes base)*

VESA 75mm/100mm quick release

180° lock-out feature

Desk clamp and grommet mount included

32.0" max. monitor width

*Bezel measured left to right.*

*Max. width is contingent on weight capacity.*

*Note: monitor height/weight might limit size.*

Warranty: 15 yr.



## Evolve4-MS

Quad motion + slider monitor arm

**\$1,520**

MODEL # EVOLVE4-MS-\_\_\_\_

### Features

Finger touch dynamic height adjustment

Recommended for worksurfaces  
30.0" deep or less

21.2" arm extension

6.7" arm retraction

+80°/-60° monitor tilt

±90° VESA rotation

4.4lb.–15.4lb. weight capacity *(per arm)*

30.0" pole height *(includes base)*

VESA 75mm/100mm quick release

180° lock-out feature

Desk clamp and grommet mount included

32.0" max. monitor width

*Bezel measured left to right.*

*Max. width is contingent on weight capacity.*

*Note: monitor height/weight might limit size.*

Warranty: 15 yr.



### Monitor arm key

F - Fixed monitor arm

M - Motion monitor arm

S - Slider mount

### Available arm finishes

Silver -SLV

Black -BLK

White -WHT

### Customize the Evolve

As workstation needs change, so can the Evolve configurations. Additional components are sold separately:

Motion arms

Fixed arms

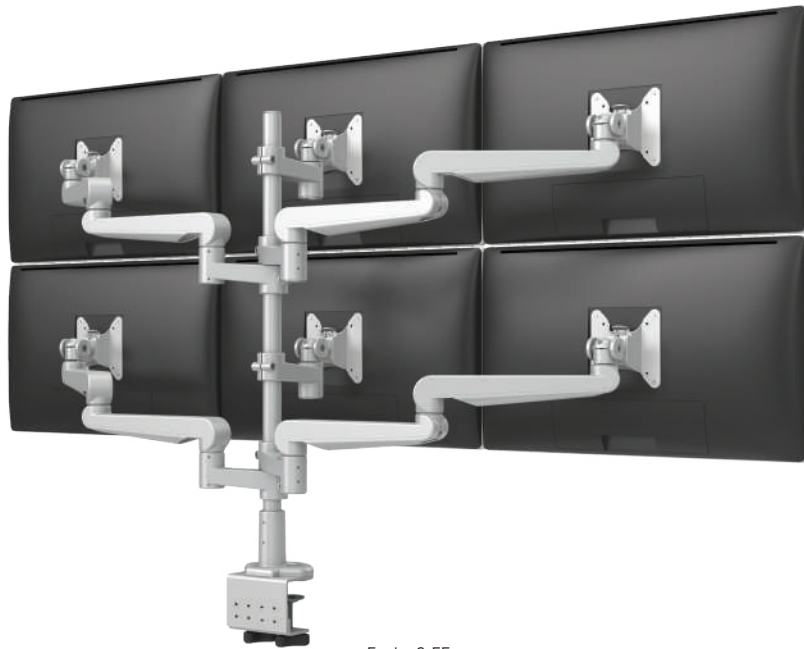
Stubby arms

18.0" pole *(height includes base)*

Slider mounts

Contact our Customer Service Department for compatibility and pricing for custom configurations.

# Evolve6



Evolve6-FF

## Evolve motion arms

Evolve configurations that include a motion arm (M) offer finger touch dynamic height adjustment. That means the monitor can reposition up and down with ease.

## Evolve fixed arms

Evolve configurations using fixed arms (F) have manual height adjustment. They rotate left and right along the pole, offering flexibility with lateral adjustments.

## Slider mount

Position virtually any monitor side-by-side with a slider. The slider (S) offers eight and a half inches of horizontal adjustability, so even monitors of varying sizes can be positioned flush.

## 30 inch pole

With additional monitors, a 30 inch pole accommodates the height growth of these configurations.

## Quality testing

Meets or exceeds BIFMA x5.5 and CSA CAN/CGSB44.227 guidelines.

## Evolve6-FF

Six fixed + fixed monitor arm

**\$1,432**

MODEL # EVOLVE6-FF-\_\_ \_\_

### Features

Manual height adjustment

Recommended for worksurfaces

30.0" deep or less

28.9" outside arm extension

8.0" center arm extension

4.1" arm retraction

+90°/-25° monitor tilt

±90° VESA rotation

Up to 20.0lb. weight capacity (*per arm*)

30.0" pole height (*includes base*)

VESA 75mm/100mm quick release

180° lock-out feature

Desk clamp and grommet mount included

21.5" max. monitor width

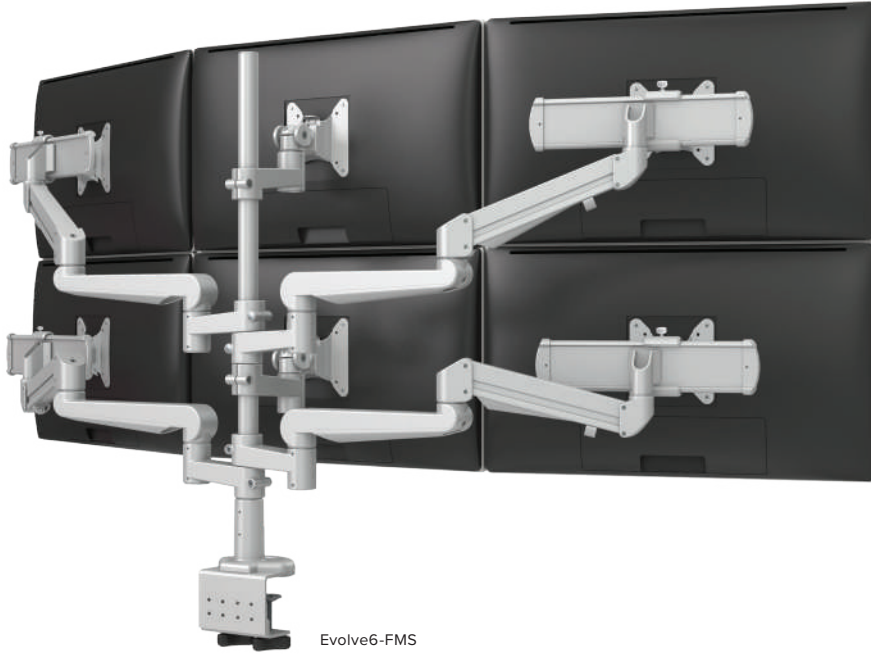
*Bezel measured left to right.*

*Max. width is contingent on weight capacity.*

*Note: monitor height/weight might limit size.*

Warranty: 15 yr.





Evolve6-FMS

## Evolve6-FMS

Six fixed + motion + slider monitor arm

**\$2,029**

MODEL # EVOLVE6-FMS-\_\_\_

### Features

Finger touch dynamic height adjustment

Recommended for worksurfaces  
30.0" deep or less

31.4" outside arm extension

8.0" center arm extension

6.7" arm retraction

+80°/-60° monitor tilt (*slider mount*)

+90°/-25° monitor tilt (*center mount*)

±90° VESA rotation

Up to 20.0lb. weight capacity (*per center arm*)

4.4lb.–15.4lb. weight capacity (*per outside arm*)

30.0" pole height (*includes base*)

VESA 75mm/100mm quick release

180° lock-out feature

Desk clamp and grommet mount included

24.5" max. monitor width

*Bezel measured left to right.*

*Max. width is contingent on weight capacity.*

*Note: monitor height/weight might limit size.*

Warranty: 15 yr.



### Monitor arm key

F - Fixed monitor arm

M - Motion monitor arm

S - Slider mount

### Available arm finishes

Silver -SLV

Black -BLK

White -WHT

### Customize the Evolve

As workstation needs change, so can the Evolve configurations. Additional components are sold separately:

Motion arms

Fixed arms

Stubby arms

18.0" pole (*height includes base*)

Slider mounts

*Contact our Customer Service Department for compatibility and pricing for custom configurations.*

# Evolve2Combo



## Evolve2Combo

Evolve2-FMS + LTH-Edge

**\$1,126**

MODEL # EVOLVE2COMBO-SLV

### Grab and go

The Evolve2Combo allows your laptop to function as a second display while maintaining convenient access to dismount and relocate.

### Expansion

The LTH-Edge depth expands from 12 inches to over 18 inches to accommodate a single laptop or a laptop with a docking station.

### Cable management

The Evolve2Combo provides cable management with both the monitor arms and the LTH-Edge. The arms have clips and channels to hold cables securely, while the LTH-Edge has an opening in the back to feed cables through.

### Slider mount

Position virtually any monitor side-by-side with a slider. The slider (S) offers eight and a half inches of horizontal adjustability, so even monitors of varying sizes can be positioned flush.

## Features

Finger touch dynamic height adjustment

Recommended for worksurfaces  
36.0" deep or less

31.4" arm extension

+80°/-60° monitor tilt

±90° VESA rotation

4.4 lb.–15.4 lb. weight capacity (*monitor supporting arm*)

Up to 10.0 lb. weight capacity (*laptop supporting arm*)

18.0" pole height (*includes base*)

VESA 75mm/100mm quick release

180° lock-out feature

Desk clamp and grommet mount included

32.0" max. monitor width

*Bezel measured left to right.*

*Max. width is contingent on weight capacity.*

Warranty: 15 yr.



## Available arm finishes

Silver -SLV



# Evolve3Combo



## Evolve3Combo

Evolve3-FMS + LTH-Edge

**\$1,265**

MODEL # EVOLVE3COMBO-SLV

### Grab and go

The Evolve3Combo allows your laptop to function as a second display while maintaining convenient access to dismount and relocate.

### Expansion

The LTH-Edge depth expands from 12 inches to over 18 inches to accommodate a laptop alone or a laptop with a docking station.

### Cable management

The Evolve3Combo provides cable management with both the monitor arms and the LTH-Edge. The arms have clips and channels to hold cables securely, while the LTH-Edge has an opening in the back to feed cables through.

### Slider mount

Position virtually any monitor side-by-side with a slider. The slider (S) offers eight and a half inches of horizontal adjustability, so even monitors of varying sizes can be positioned flush.

## Features

Finger touch dynamic height adjustment

Recommended for worksurfaces  
30.0" deep or less

31.4" outside arm extension

8.0" center arm extension

+80°/-60° monitor tilt (*slider mount*)

+90°/-25° monitor tilt (*center mount*)

±90° VESA rotation

4.4 lb.–15.4 lb. weight capacity  
(*outside monitor supporting arm*)

Up to 20.0 lb. weight capacity  
(*middle monitor supporting arm*)

Up to 10.0 lb. weight capacity  
(*laptop supporting arm*)

18.0" pole height (*includes base*)

VESA 75mm/100mm quick release

180° lock-out feature

Desk clamp and grommet mount included

28.0" max. monitor width  
*Bezel measured left to right.*  
*Max. width is contingent on weight capacity.*

Warranty: 15 yr.



## Available arm finishes

Silver -SLV



*Product shown: Evolve1-M,  
Designer White worksurface*

# Evolve series

## Evolve Stubby

Single short fixed monitor arm



**\$266**

MODEL # EVOLVE-STUBBY-\_\_ \_\_

- Silver -SLV
- Black -BLK
- White -WHT

## Evolve1-F

Single fixed monitor arm



**\$323**

MODEL # EVOLVE1-F-\_\_ \_\_

- Silver -SLV
- Black -BLK
- White -WHT

## Evolve1-FF

Single fixed + fixed monitor arm



**\$381**

MODEL # EVOLVE1-FF-\_\_ \_\_

- Silver -SLV
- Black -BLK
- White -WHT

Manual height adjustment

Recommended for worksurfaces  
24.0" deep or less

8.0" arm extension

8.0" arm retraction

+90°/-25° monitor tilt

±90° VESA rotation

Up to 20.0lb. weight capacity

18.0" pole height *(includes base)*

VESA 75mm/100mm quick release

–

Desk clamp and grommet mount included

Warranty: 15 yr.



Manual height adjustment

Recommended for worksurfaces  
30.0" deep or less

18.2" arm extension

4.1" arm retraction

+90°/-25° monitor tilt

±90° VESA rotation

Up to 20.0lb. weight capacity

18.0" pole height *(includes base)*

VESA 75mm/100mm quick release

180° lock-out feature

Desk clamp and grommet mount included

Warranty: 15 yr.



Manual height adjustment

Recommended for worksurfaces  
36.0" deep or less

28.9" arm extension

4.1" arm retraction

+90°/-25° monitor tilt

±90° VESA rotation

Up to 20.0lb. weight capacity

18.0" pole height *(includes base)*

VESA 75mm/100mm quick release

180° lock-out feature

Desk clamp and grommet mount included

Warranty: 15 yr.



Visit our website for additional specs, dimensional drawings, alternative images and more resources for all of ESI's products.

# Evolve series

## Evolve1-FM

Single fixed + motion monitor arm



**\$466**

MODEL # EVOLVE1-FM-\_\_\_

- Silver -SLV
- Black -BLK
- White -WHT

## Evolve1-M

Single motion monitor arm



**\$408**

MODEL # EVOLVE1-M-\_\_\_

- Silver -SLV
- Black -BLK
- White -WHT

## Evolve1-MS

Single motion + slider monitor arm



**\$465**

MODEL # EVOLVE1-MS-\_\_\_

- Silver -SLV
- Black -BLK
- White -WHT

Finger touch dynamic height adjustment

Recommended for worksurfaces  
36.0" deep or less

29.2" arm extension

4.1" arm retraction

+90°/-25° monitor tilt

±90° VESA rotation

6.5 lb.–17.6 lb. weight capacity

18.0" pole height *(includes base)*

VESA 75mm/100mm quick release

180° lock-out feature

Desk clamp and grommet mount included

—

Warranty: 15 yr.



Finger touch dynamic height adjustment

Recommended for worksurfaces  
30.0" deep or less

18.4" arm extension

4.1" arm retraction

+90°/-25° monitor tilt

±90° VESA rotation

6.5 lb.–17.6 lb. weight capacity

18.0" pole height *(includes base)*

VESA 75mm/100mm quick release

180° lock-out feature

Desk clamp and grommet mount included

—

Warranty: 15 yr.



Finger touch dynamic height adjustment

Recommended for worksurfaces  
30.0" deep or less

21.2" arm extension

6.7" arm retraction

+80°/-60° monitor tilt

±90° VESA rotation

4.4 lb.–15.4 lb. weight capacity

18.0" pole height *(includes base)*

VESA 75mm/100mm quick release

180° lock-out feature

Desk clamp and grommet mount included

—

Warranty: 15 yr.



Visit our website for additional specs, dimensional drawings, alternative images and more resources for all of ESI's products.

## Evolve2-F

Dual fixed  
monitor arm



**\$520**

MODEL # EVOLVE2-F-\_\_\_

- Silver -SLV
- Black -BLK
- White -WHT

## Evolve2-FF

Dual fixed + fixed  
monitor arm



**\$635**

MODEL # EVOLVE2-FF-\_\_\_

- Silver -SLV
- Black -BLK
- White -WHT

## Evolve2-FS

Dual fixed + slider  
monitor arm



**\$648**

MODEL # EVOLVE2-FS-\_\_\_

- Silver -SLV
- Black -BLK
- White -WHT

Manual height adjustment

Recommended for worksurfaces  
30.0" deep or less

18.2" arm extension

4.1" arm retraction

+90°/-25° monitor tilt

±90° VESA rotation

Up to 20.0lb. weight capacity *(per arm)*

18.0" pole height *(includes base)*

VESA 75mm/100mm quick release

180° lock-out feature

Desk clamp and grommet mount included

28.0" max. monitor width  
*Bezel measured left to right.  
Max. width is contingent on weight capacity.*

Warranty: 15 yr.



Manual height adjustment

Recommended for worksurfaces  
36.0" deep or less

28.9" arm extension

4.1" arm retraction

+90°/-25° monitor tilt

±90° VESA rotation

Up to 20.0lb. weight capacity *(per arm)*

18.0" pole height *(includes base)*

VESA 75mm/100mm quick release

180° lock-out feature

Desk clamp and grommet mount included

32.0" max. monitor width  
*Bezel measured left to right.  
Max. width is contingent on weight capacity.*

Warranty: 15 yr.



Manual height adjustment

Recommended for worksurfaces  
30.0" deep or less

21.2" arm extension

6.7" arm retraction

+80°/-60° monitor tilt

±90° VESA rotation

Up to 18.5lb. weight capacity *(per arm)*

18.0" pole height *(includes base)*

VESA 75mm/100mm quick release

180° lock-out feature

Desk clamp and grommet mount included

28.0" max. monitor width  
*Bezel measured left to right.  
Max. width is contingent on weight capacity.*

Warranty: 15 yr.





# Evolve series

## Evolve2-FM

Dual fixed + motion monitor arm



**\$767**

MODEL # EVOLVE2-FM-\_\_\_

- Silver -SLV
- Black -BLK
- White -WHT

## Evolve2-FMS

Dual fixed + motion + slider monitor arm



**\$933**

MODEL # EVOLVE2-FMS-\_\_\_

- Silver -SLV
- Black -BLK
- White -WHT

## Evolve2-M

Dual motion monitor arm



**\$691**

MODEL # EVOLVE2-M-\_\_\_

- Silver -SLV
- Black -BLK
- White -WHT

Finger touch dynamic height adjustment	Finger touch dynamic height adjustment	Finger touch dynamic height adjustment
Recommended for worksurfaces 36.0" deep or less	Recommended for worksurfaces 36.0" deep or less	Recommended for worksurfaces 30.0" deep or less
29.2" arm extension	31.4" arm extension	18.4" arm extension
—	—	—
4.1" arm retraction	6.7" arm retraction	4.1" arm retraction
+90°/-25° monitor tilt	+80°/-60° monitor tilt	+90°/-25° monitor tilt
±90° VESA rotation	±90° VESA rotation	±90° VESA rotation
6.5 lb.–17.6 lb. weight capacity (per arm)	4.4 lb.–15.4 lb. weight capacity (per arm)	6.5 lb.–17.6 lb. weight capacity (per arm)
18.0" pole height (includes base)	18.0" pole height (includes base)	18.0" pole height (includes base)
VESA 75mm/100mm quick mount	VESA 75mm/100mm quick mount	VESA 75mm/100mm quick mount
180° lock-out feature	180° lock-out feature	180° lock-out feature
Desk clamp and grommet mount included	Desk clamp and grommet mount included	Desk clamp and grommet mount included
32.0" max. monitor width <i>Bezel measured left to right. Max. width is contingent on weight capacity.</i>	32.0" max. monitor width <i>Bezel measured left to right. Max. width is contingent on weight capacity.</i>	28.0" max. monitor width <i>Bezel measured left to right. Max. width is contingent on weight capacity.</i>
Warranty: 15 yr.	Warranty: 15 yr.	Warranty: 15 yr.

Visit our website for additional specs, dimensional drawings, alternative images and more resources for all of ESI's products.

## Evolve2-MS

Dual motion + slider  
monitor arm



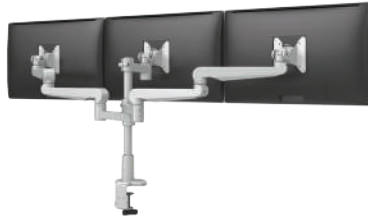
**\$819**

MODEL # EVOLVE2-MS-\_\_\_

- Silver -SLV
- Black -BLK
- White -WHT

## Evolve3-FF

Triple fixed + fixed  
monitor arm



**\$774**

MODEL # EVOLVE3-FF-\_\_\_

- Silver -SLV
- Black -BLK
- White -WHT

## Evolve3-FMS




Triple fixed + motion + slider  
monitor arm



**\$1,073**

MODEL # EVOLVE3-FMS-\_\_\_

- Silver -SLV
- Black -BLK
- White -WHT

Finger touch dynamic height adjustment	Manual height adjustment	Finger touch dynamic height adjustment
Recommended for worksurfaces 30.0" deep or less	Recommended for worksurfaces 30.0" deep or less	Recommended for worksurfaces 30.0" deep or less
21.2" arm extension	28.9" outside arm extension	31.4" outside arm extension
–	8.0" center arm extension	8.0" center arm extension
6.7" arm retraction	4.1" arm retraction	6.7" arm retraction
+80°/-60° monitor tilt	+90°/-25° monitor tilt	+80°/-60° monitor tilt <i>(slider mount)</i> +90°/-25° monitor tilt <i>(center mount)</i>
±90° VESA rotation	±90° VESA rotation	±90° VESA rotation
4.4lb.–15.4lb. weight capacity <i>(per arm)</i>	Up to 20.0lb. weight capacity <i>(per arm)</i>	Up to 20.0lb. weight capacity <i>(center arm)</i> 4.4lb.–15.4lb. weight capacity <i>(per outside arms)</i>
18.0" pole height <i>(includes base)</i>	18.0" pole height <i>(includes base)</i>	18.0" pole height <i>(includes base)</i>
VESA 75mm/100mm quick mount	VESA 75mm/100mm quick mount	VESA 75mm/100mm quick mount
180° lock-out feature	180° lock-out feature	180° lock-out feature
Desk clamp and grommet mount included	Desk clamp and grommet mount included	Desk clamp and grommet mount included
32.0" max. monitor width <i>Bezel measured left to right.</i> <i>Max. width is contingent on weight capacity.</i>	21.5" max. monitor width <i>Bezel measured left to right.</i> <i>Max. width is contingent on weight capacity.</i>	24.5" max. monitor width <i>Bezel measured left to right.</i> <i>Max. width is contingent on weight capacity.</i>
Warranty: 15 yr.	Warranty: 15 yr.	Warranty: 15 yr.
		

# Evolve series

## Evolve4-FF

Quad fixed + fixed monitor arm



**\$1,153**

MODEL # EVOLVE4-FF-\_\_\_

- Silver -SLV
- Black -BLK
- White -WHT

## Evolve4-FM

Quad fixed + motion monitor arm



**\$1,494**

MODEL # EVOLVE4-FM-\_\_\_

- Silver -SLV
- Black -BLK
- White -WHT

## Evolve4-FMS




Quad fixed + motion + slider monitor arm



**\$1,750**

MODEL # EVOLVE4-FMS-\_\_\_

- Silver -SLV
- Black -BLK
- White -WHT

Manual height adjustment	Finger touch dynamic height adjustment	Finger touch dynamic height adjustment
Recommended for worksurfaces 36.0" deep or less	Recommended for worksurfaces 36.0" deep or less	Recommended for worksurfaces 36.0" deep or less
28.9" outside arm extension	29.2" outside arm extension	31.4" outside arm extension
–	–	–
4.1" arm retraction	4.1" arm retraction	6.7" arm retraction
+90°/-25° monitor tilt	+90°/-25° monitor tilt	+80°/-60° monitor tilt
±90° VESA rotation	±90° VESA rotation	±90° VESA rotation
Up to 20.0lb. weight capacity <i>(per arm)</i>	6.5lb.–17.6lb. weight capacity <i>(per arm)</i>	4.4lb.–15.4lb. weight capacity <i>(per arm)</i>
30.0" pole height <i>(includes base)</i>	30.0" pole height <i>(includes base)</i>	30.0" pole height <i>(includes base)</i>
VESA 75mm/100mm quick release	VESA 75mm/100mm quick release	VESA 75mm/100mm quick release
180° lock-out feature	180° lock-out feature	180° lock-out feature
Desk clamp and grommet mount included	Desk clamp and grommet mount included	Desk clamp and grommet mount included
32.0" max. monitor width <i>Bezel measured left to right. Max. width is contingent on weight capacity. Note: monitor height/weight might limit size.</i>	32.0" max. monitor width <i>Bezel measured left to right. Max. width is contingent on weight capacity. Note: monitor height/weight might limit size.</i>	32.0" max. monitor width <i>Bezel measured left to right. Max. width is contingent on weight capacity. Note: monitor height/weight might limit size.</i>
Warranty: 15 yr.	Warranty: 15 yr.	Warranty: 15 yr.
		

Visit our website for additional specs, dimensional drawings, alternative images and more resources for all of ESI's products.

## Evolve4-MS

Quad motion + slider  
monitor arm



**\$1,520**

MODEL # EVOLVE4-MS-\_\_\_

- Silver -SLV
- Black -BLK
- White -WHT

## Evolve6-FF

Six fixed + fixed  
monitor arm



**\$1,432**

MODEL # EVOLVE6-FF-\_\_\_

- Silver -SLV
- Black -BLK
- White -WHT

## Evolve6-FMS

Six fixed + motion + slider  
monitor arm



**\$2,029**

MODEL # EVOLVE6-FMS-\_\_\_

- Silver -SLV
- Black -BLK
- White -WHT

Finger touch dynamic height adjustment	Manual height adjustment	Finger touch dynamic height adjustment
Recommended for worksurfaces 30.0" deep or less	Recommended for worksurfaces 30.0" deep or less	Recommended for worksurfaces 30.0" deep or less
21.2" outside arm extension	28.9" outside arm extension	31.4" outside arm extension
—	8.0" center arm extension	8.0" center arm extension
6.7" arm retraction	4.1" arm retraction	6.7" arm retraction
+80°/-60° monitor tilt	+90°/-25° monitor tilt	+80°/-60° monitor tilt (slider mount) +90°/-25° monitor tilt (center mount)
±90° VESA rotation	±90° VESA rotation	±90° VESA rotation
4.4lb.–15.4lb. weight capacity (per arm)	Up to 20.0lb. weight capacity (per arm)	Up to 20.0lb. weight capacity (per center arm) 4.4lb.–15.4lb. weight capacity (per outside arm)
30.0" pole height (includes base)	30.0" pole height (includes base)	30.0" pole height (includes base)
VESA 75mm/100mm quick release	VESA 75mm/100mm quick release	VESA 75mm/100mm quick release
180° lock-out feature	180° lock-out feature	180° lock-out feature
Desk clamp and grommet mount included	Desk clamp and grommet mount included	Desk clamp and grommet mount included
32.0" max. monitor width <i>Bezel measured left to right. Max. width is contingent on weight capacity. Note: monitor height/weight might limit size.</i>	21.5" max. monitor width <i>Bezel measured left to right. Max. width is contingent on weight capacity. Note: monitor height/weight might limit size.</i>	24.5" max. monitor width <i>Bezel measured left to right. Max. width is contingent on weight capacity. Note: monitor height/weight might limit size.</i>
Warranty: 15 yr.	Warranty: 15 yr.	Warranty: 15 yr.

# Evolve series

## Evolve2Combo

Evolve2-FMS + LTH-Edge



**\$1,126**

MODEL # EVOLVE2COMBO-SLV

Silver -SLV

## Evolve3Combo

Evolve-3FMS + LTH-Edge



**\$1,265**

MODEL # EVOLVE3COMBO-SLV

Silver -SLV

Finger touch dynamic height adjustment

Recommended for worksurfaces  
36.0" deep or less

31.4" arm extension

–

+80°/-60° monitor tilt

±90° VESA rotation

4.4 lb.–15.4 lb. weight capacity *(monitor supporting arm)*

Up to 10.0 lb. weight capacity *(laptop supporting arm)*

18.0" pole height *(includes base)*

VESA 75mm/100mm quick release

180° lock-out feature

32.0" max. monitor width  
*Bezel measured left to right.  
Max. width is contingent on weight capacity.*

Warranty: 15 yr.



Finger touch dynamic height adjustment

Recommended for worksurfaces  
30.0" deep or less

31.4" outside arm extension

8.0" center arm extension

+80°/-60° monitor tilt *(slider mount)*

+90°/-25° monitor tilt *(center mount)*

±90° VESA rotation

4.4 lb.–15.4 lb. weight capacity *(outside monitor supporting arm)*

Up to 20.0 lb. weight capacity *(middle monitor supporting arm)*

Up to 10.0 lb. weight capacity *(laptop supporting arm)*

18.0" pole height *(includes base)*

VESA 75mm/100mm quick release

180° lock-out feature

28.0" max. monitor width  
*Bezel measured left to right.  
Max. width is contingent on weight capacity.*

Warranty: 15 yr.



Visit our website for additional specs, dimensional drawings, alternative images and more resources for all of ESI's products.





Monitor arms

# Edge<sup>®</sup> series

*Product shown: Edge2-MS,  
Designer White worksurface*

# Edge<sup>®</sup>



## Edge

Single monitor arm

**\$374**

MODEL # EDGE-\_\_\_\_

### 180° lock-out

Prevents the arm from getting pushed back too far and bumping into a rear cubicle, wall, or glass.

### VESA quick release

Quickly install and swap monitors with the quick release VESA plate.

### Conversion

Reuse most of the parts in your single Edge arm when you convert up to the dual Edge2 with our simple kit. Conversion kit sold separately.

### Quality testing

Meets or exceeds BIFMA x5.5 and CSA CAN/CGSB44.227 guidelines.

## Features

Finger touch dynamic height adjustment

Recommended for worksurfaces  
36.0" deep or less

12.0" height adjustment range  
7.0"–19.0" (low/high)

23.5" arm extension

4.1" arm retraction

±90° monitor tilt

±90° VESA rotation

6.5 lb.–17.6 lb. weight capacity

VESA 75mm/100mm quick release

180° lock-out feature

Desk clamp and grommet mount included

Warranty: 15 yr.



## Available arm finishes

Silver -SLV

Black -BLK

White -WHT

## Edge2 conversion kit

Converts an existing Edge single monitor arm to an Edge2 dual arm

Kit includes:

- One fixed arm
- One motion arm
- One dual base
- One clamp mount
- One grommet mount

**\$382**

MODEL # EDGE2KIT-\_\_\_\_

Available in silver, black and white

# Edge<sup>®</sup> 2



## Edge2

Dual monitor arm

**\$705**

MODEL # EDGE2-\_\_\_

### 180° lock-out

Prevents the arm from getting pushed back too far and bumping into a rear cubicle, wall, or glass.

### VESA quick release

Quickly install and swap monitors with the quick release VESA plate.

### Dual monitor arms

Can support two monitors up to 32 inches wide.

### Quality testing

Meets or exceeds BIFMA x5.5 and CSA CAN/CGSB44.227 guidelines.

## Features

Finger touch dynamic height adjustment

Recommended for worksurfaces  
36.0" deep or less

12.0" height adjustment range  
7.0"–19.0" (low/high)

23.5" arm extension

4.1" arm retraction

±90° monitor tilt

±90° VESA rotation

6.5 lb.–17.6 lb. weight capacity (*per arm*)

VESA 75mm/100mm quick release

180° lock-out feature

Desk clamp and grommet mount included

32.0" max. monitor width

*Bezel measured left to right,  
Max width is contingent on weight capacity.*

Warranty: 15 yr.



## Available arm finishes

Silver -SLV

Black -BLK

White -WHT

# Edge<sup>®</sup>2-MS



## Edge2-MS

Dual monitor arm

**\$705**

MODEL # EDGE2-MS-\_\_ \_

### 180° lock-out

Prevents the arm from getting pushed back too far and bumping into a rear cubicle, wall or glass.

### Slider mount

Position virtually any monitor side-by-side with a slider. The slider (S) offers eight and a half inches of horizontal adjustability, so even monitors of varying sizes can be positioned flush.

### VESA quick release

Quickly install and swap monitors with the quick release VESA plate.

### Quality testing

Meets or exceeds BIFMA x5.5 and CSA CAN/CGSB44.227 guidelines.

### Features

Finger touch dynamic height adjustment

Recommended for worksurfaces  
30.0" deep or less

10.8" height adjustment range  
3.7"–14.5" (low/high)

17.3" arm extension

6.7" arm retraction

+80°/-60° monitor tilt

±90° VESA rotation

4.4 lb.–15.4 lb. weight capacity (*per arm*)

VESA 75mm/100mm quick release

180° lock-out feature

Desk clamp and grommet mount included

28.0" max. monitor width

*Bezel measured left to right.*

*Max. width is contingent on weight capacity.*

Warranty: 15 yr.



### Available arm finishes

Silver -SLV

Black -BLK

White -WHT

# Edge<sup>®</sup>2-Max



## Edge2-Max

Dual monitor arm

**\$723**

MODEL #EDGE2-MAX-SLV

### 180° lock-out

Prevents the arm from getting pushed back too far and bumping into a rear cubicle, wall, or glass.

### Crossbar

Can support two monitors up to 24 inches wide.

### Quality testing

Meets or exceeds BIFMA x5.5 and CSA CAN/CGSB44.227 guidelines.

## Features

Finger touch dynamic height adjustment

Recommended for worksurfaces  
36.0" deep or less

13.8" height adjustment range  
9.0"–22.8" (low/high)

30.5" arm extension

8.5" arm retraction

±55° monitor tilt

±90° VESA rotation

12.0 lb.–38.5 lb. weight capacity  
*(combined weight of both monitors)*

180° lock-out feature

Desk clamp and grommet mount included

24.0" max. monitor width  
*Bezel measured left to right.*  
*Max. width is contingent on weight capacity.*

Warranty: 15 yr.



## Available arm finishes

Silver -SLV



# Edge<sup>®</sup>-Max



## Edge-Max

Heavy duty single monitor arm

**\$567**

MODEL # EDGE-MAX-SLV

### Weight capacity

Counterbalances heavy monitors and all-in-one computers.

### Conversion

Reuse most of the parts in your single Edge-Max arm when you convert up to the Edge-Max-Dual with our simple kit. Conversion kit sold separately.

### Quality testing

Meets or exceeds BIFMA x5.5 and CSA CAN/CGSB44.227 guidelines.

### Features

Finger touch dynamic height adjustment

Recommended for worksurfaces  
36.0" deep or less

Recommended for heavy monitors and  
all-in-one computers

13.8" height adjustment range  
9.5"–23.3" (low/high)

24.4" arm extension

5.2" arm retraction

+85°/-35° monitor tilt

±90° VESA rotation

17.6 lb.–42.0 lb. weight capacity

VESA 75mm/100mm quick release

180° lock-out feature

Desk clamp and grommet mount included

Warranty: 15 yr.



### Available arm finishes

Silver -SLV

### Edge-Max Dual conversion kit

Converts an existing Edge-Max single monitor arm to an Edge-Max-Dual arm.

Kit includes:

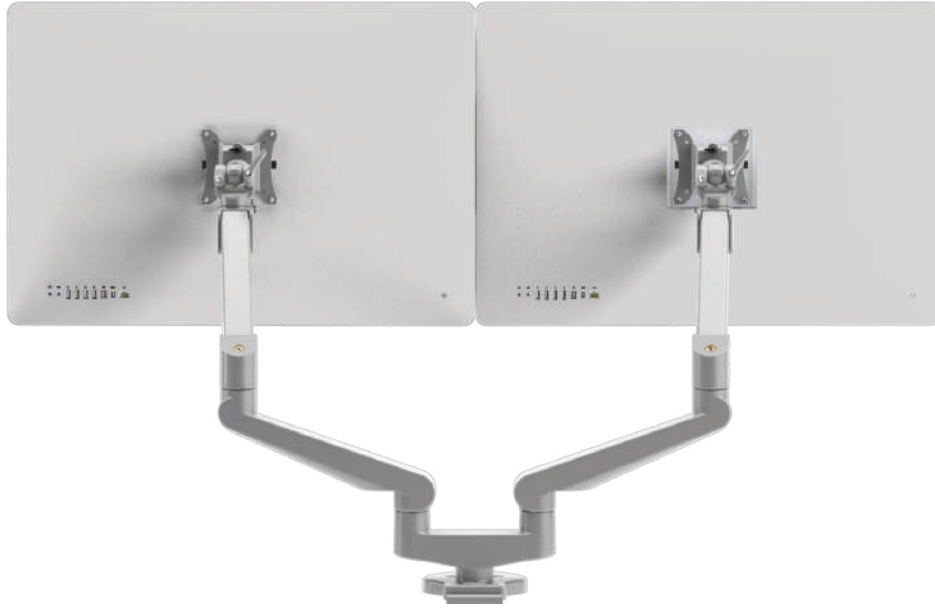
- One fixed arm
- One motion arm
- One dual base
- One clamp mount
- One grommet mount

**\$568**

MODEL #EDGE-MAX-DUAL-KIT

*Available in silver*

# Edge<sup>®</sup>-Max-Dual



## Edge-Max-Dual

Heavy duty dual monitor arm

**\$1,134**

MODEL # EDGE-MAX-DUAL-SLV

### Weight capacity

Counterbalances heavy monitors and all-in-one computers.

### Dual monitor arms

Can support two monitors up to 40 inches wide.

### Quality testing

Meets or exceeds BIFMA x5.5 and CSA CAN/CGSB44.227 guidelines.

### Features

Finger touch dynamic height adjustment

Recommended for worksurfaces  
36.0" deep or less

Recommended for heavy monitors and  
all-in-one computers

13.8" height adjustment range  
9.5"–22.3" (low/high)

24.4" arm extension

5.2" arm retraction

+85°/-35° monitor tilt

±90° VESA rotation

17.6lb.–42.0lb. weight capacity *(per arm)*

VESA 75mm/100mm quick release

180° lock-out feature

Desk clamp and grommet mount included

40.0" max. monitor width

*Bezel measured left to right.*

*Max. width is contingent on weight capacity.*

Warranty: 15 yr.



### Available arm finishes

Silver -SLV

# Edge<sup>®</sup>-Wall



## Edge-Wall

Wall-mounted single monitor arm

**\$374**

MODEL # EDGE-WALL-SLV

### Wall mount

Wall mount offers similar features as the Edge.

### 180° lock-out

Prevents the arm from getting pushed back too far and bumping into a rear cubicle, wall, or glass.

### VESA quick release

Quickly install and swap monitors with the quick release VESA plate.

## Features

Finger touch dynamic height adjustment

For wall mount applications

12.0" height adjustment range

22.0" arm extension

2.6" arm retraction

+90°/-25° monitor tilt

±90° VESA rotation

6.5 lb.–17.6 lb. weight capacity

VESA 75mm/100mm quick release

180° lock-out feature

Warranty: 15 yr.



## Available arm finishes

Silver -SLV

# Edge<sup>®</sup>-Slat



## Edge-Slat

Slat-mounted single monitor arm

**\$380**

MODEL # EDGE-SLAT-SLV

### 180° lock-out

Prevents the arm from getting pushed back too far and bumping into a rear cubicle, wall, or glass.

### VESA quick release

Quickly install and swap monitors with the quick release VESA plate.

## Features

Finger touch dynamic height adjustment

For slat wall applications 0.8"–2.8" wide

12.0" height adjustment range

13.0" arm extension

2.6" arm retraction

+90°/-25° monitor tilt

±90° VESA rotation

6.5lb.–17.6lb. weight capacity

VESA 75mm/100mm quick release

180° lock-out feature

Warranty: 15 yr.



## Available arm finishes

Silver -SLV

# Edge2Combo



## Edge2Combo

Edge2 + LTH-Edge

**\$893**

MODEL # EDGE2-COMBO-SLV

### Grab and go

The Edge2Combo allows your laptop to function as a second display while maintaining convenient access to dismount and relocate.

### Expansion

The LTH-Edge depth expands from 12 inches to over 18 inches to accommodate a single laptop or a laptop with a docking station.

### Cable management

The Edge2Combo provides cable management with both the monitor arms and the LTH-Edge. The arms have clips and channels to hold cables securely, while the LTH-Edge has an opening in the back to feed cables through.

### Features

Finger touch dynamic height adjustment

Recommended for worksurfaces  
36.0" deep or less

12.0" height adjustment range  
7.0"–19.0" (low/high)

23.5" arm extension

±90°/-25 monitor tilt

±90° VESA rotation

6.5 lb.–17.6 lb. weight capacity (*monitor supporting arm*)

1.1 lb.–12.2 lb. weight capacity (*laptop supporting arm*)

VESA 75mm/100mm quick release

180° lock-out feature

Desk clamp and grommet mount included

32.0" max. monitor width

*Bezel measured left to right.*

*Max. width is contingent on weight capacity.*

Warranty: 15 yr.



### Available arm finishes

Silver -SLV

# Edge<sup>®</sup> series

## Edge

Single monitor arm



**\$374**

MODEL # EDGE-\_\_\_

- Silver -SLV
- Black -BLK
- White -WHT

## Edge2

Dual monitor arm



**\$705**

MODEL # EDGE2-\_\_\_

- Silver -SLV
- Black -BLK
- White -WHT

## Edge2-MS

Dual monitor arm



**\$705**

MODEL # EDGE2-MS-\_\_\_

- Silver -SLV
- Black -BLK
- White -WHT

Finger touch dynamic height adjustment	Finger touch dynamic height adjustment	Finger touch dynamic height adjustment
Recommended for worksurfaces 36.0" deep or less	Recommended for worksurfaces 36.0" deep or less	Recommended for worksurfaces 30.0" deep or less
12.0" height adjustment range 7.0"–19.0" (low/high)	12.0" height adjustment range 7.0"–19.0" (low/high)	10.8" height adjustment range 3.7"–14.5" (low/high)
23.5" arm extension	23.5" arm extension	17.3" arm extension
4.1" arm retraction	4.1" arm retraction	6.7" arm retraction
±90° monitor tilt	±90° monitor tilt	+80°/-60° monitor tilt
±90° VESA rotation	±90° VESA rotation	±90° VESA rotation
6.5lb.–17.6lb. weight capacity	6.5lb.–17.6lb. weight capacity <i>(per arm)</i>	4.4lb.–15.4lb. weight capacity <i>(per arm)</i>
VESA 75mm/100mm quick release	VESA 75mm/100mm quick release	VESA 75mm/100mm quick release
180° lock-out feature	180° lock-out feature	180° lock-out feature
Desk clamp and grommet mount included	Desk clamp and grommet mount included	Desk clamp and grommet mount included
–	32.0" max. monitor width <i>Bezel measured left to right. Max. width is contingent on weight capacity.</i>	28.0" max. monitor width <i>Bezel measured left to right. Max. width is contingent on weight capacity.</i>
Warranty: 15 yr.	Warranty: 15 yr.	Warranty: 15 yr.

Visit our website for additional specs, dimensional drawings, alternative images and more resources for all of ESI's products.



# Edge<sup>®</sup> series

## Edge2-Max

Dual monitor arm



**\$723**

MODEL # EDGE2-MAX-SLV

○ Silver -SLV

## Edge-Max

Heavy duty single monitor arm



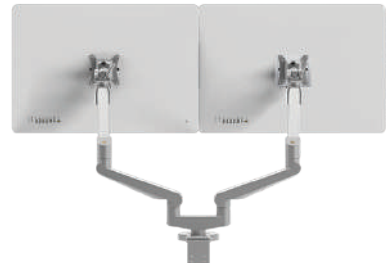
**\$567**

MODEL # EDGE-MAX-SLV

○ Silver -SLV

## Edge-Max-Dual

Heavy duty dual monitor arm



**\$1,134**

MODEL # EDGE-MAX-DUAL-SLV

○ Silver -SLV

Finger touch dynamic height adjustment	Finger touch dynamic height adjustment	Finger touch dynamic height adjustment
Recommended for worksurfaces 36.0" deep or less	Recommended for worksurfaces 36.0" deep or less	Recommended for worksurfaces 36.0" deep or less
–	Recommended for heavy monitors and all-in-one computers	Recommended for heavy monitors and all-in-one computers
13.8" height adjustment range 9.0"–22.8" (low/high)	13.8" height adjustment range 9.5"–23.3" (low/high)	13.8" height adjustment range 9.5"–23.3" (low/high)
30.5" arm extension	24.4" arm extension	24.4" arm extension
8.5" arm retraction	5.2" arm retraction	5.2" arm retraction
±55° monitor tilt	+85°/-35° monitor tilt	+85°/-35° monitor tilt
±90° VESA rotation	±90° VESA rotation	±90° VESA rotation
12.0lb.–38.5lb. weight capacity <i>(combined weight of both monitors)</i>	17.6lb.–42.0lb. weight capacity	17.6lb.–42.0lb. weight capacity <i>(per arm)</i>
–	VESA 75mm/100mm quick release	VESA 75mm/100mm quick release
180° lock-out feature	180° lock-out feature	180° lock-out feature
Desk clamp and grommet mount included	Desk clamp and grommet mount included	Desk clamp and grommet mount included
24.0" max. monitor width <i>Bezel measured left to right. Max. width is contingent on weight capacity.</i>	–	40.0" max. monitor width <i>Bezel measured left to right. Max. width is contingent on weight capacity.</i>
Warranty: 15 yr.	Warranty: 15 yr.	Warranty: 15 yr.



Visit our website for additional specs, dimensional drawings, alternative images and more resources for all of ESI's products.

## Edge-Wall

Wall-mounted single monitor arm



**\$374**

MODEL # EDGE-WALL-SLV

Silver -SLV

## Edge-Slat

Slat-mounted single monitor arm



**\$380**

MODEL # EDGE-SLAT-SLV

Silver -SLV

## Edge2Combo

Edge2 + LTH-Edge



**\$893**

MODEL # EDGE2-COMBO-SLV

Silver -SLV

Finger touch dynamic height adjustment	Finger touch dynamic height adjustment	Finger touch dynamic height adjustment
For wall mount applications	For slat wall applications 0.8"–2.8" wide	Recommended for worksurfaces 36.0" deep or less
–	–	–
12.0" height adjustment range	12.0" height adjustment range	12.0" height adjustment range 7.0"–19.0" (low/high)
22.0" arm extension	13.0" arm extension	23.5" arm extension
2.6" arm retraction	2.6" arm retraction	–
+90°/-25° monitor tilt	+90°/-25° monitor tilt	±90°/-25° monitor tilt
±90° VESA rotation	±90° VESA rotation	±90° VESA rotation
6.5lb.–17.6lb. weight capacity	6.5lb.–17.6lb. weight capacity	6.5lb.–17.6lb. weight capacity ( <i>monitor supporting arm</i> ) 1.1lb.–12.2lb. weight capacity ( <i>laptop supporting arm</i> )
VESA 75mm/100mm quick release	VESA 75mm/100mm quick release	VESA 75mm/100mm quick release
180° lock-out feature	180° lock-out feature	180° lock-out feature
Wall mount	Slat mount	Desk clamp and grommet mount included
		32.0" max. monitor width <i>Bezel measured left to right.</i> <i>Max. width is contingent on weight capacity.</i>
Warranty: 15 yr.	Warranty: 15 yr.	Warranty: 15 yr.



Monitor arms

# Eppa™ series

*Product shown: Eppa2,  
Designer White worksurface*





Product shown: Eppa, Designer  
White worksurface

# Eppa™



## Eppa

Single monitor arm

**\$225**

MODEL # EPPA-SLV

### Height adjustment

Beneath the Eppa's minimal design is a reliable and smooth finger touch gas spring adjustment control that supports a 10.5 inch dynamic height adjustment range.

### Retraction

Retracting to a four inch depth and extending 20 inches, Eppa offers a comfortable viewing distance no matter the size of the workstation.

### Conversion

Reuse most of the parts in your single Eppa arm when you convert up to the dual Eppa2 with our simple kit. Conversion kit sold separately.

### Quality testing

Meets or exceeds BIFMA x5.5 and CSA CAN/CGSB44.227 guidelines.

### Features

Finger touch dynamic height adjustment

Recommended for worksurfaces  
36.0" deep or less

10.5" height adjustment range  
5.5"–16.0" (low/high)

20.0" arm extension

4.0" arm retraction

±90° monitor tilt

±360° VESA rotation

2.2lb.–17.6lb. weight capacity

VESA 75mm/100mm quick mount

Desk clamp and grommet mount included

Warranty: 10 yr.

### Available arm finishes

Silver -SLV

### Eppa conversion kit

Converts an existing Eppa single monitor arm to an Eppa2 dual arm.

Kit includes:

- One single arm
- One dual base
- One clamp mount
- One grommet mount

**\$280**

MODEL # EPPA2KIT-SLV

*Available in silver*

# Eppa™ 2



## Eppa2

Dual monitor arm

**\$424**

MODEL # EPPA2-SLV

### Height adjustment

Beneath the Eppa's minimal design is a reliable and smooth finger touch gas spring adjustment control that supports a 10.5 inch dynamic height adjustment range.

### Retraction

Retracting to a four inch depth and extending 20.0 inches, Eppa offers a comfortable viewing distance no matter the size of the workstation.

### Dual monitors

Supports two monitors up to 39 inches wide.

### Quality testing

Meets or exceeds BIFMA x5.5 and CSA CAN/CSB44.227 guidelines.

### Features

Finger touch dynamic height adjustment

Recommended for worksurfaces  
36.0" deep or less

10.5" height adjustment range  
5.5"–16.0" (low/high)

20.0" arm extension

4.0" arm retraction

±90° monitor tilt

±360° VESA rotation

2.2lb.–17.6lb. weight capacity (*per arm*)

VESA 75mm/100mm quick mount

Desk clamp and grommet mount included

39.0" max. monitor width

*Bezel measured left to right.*

*Max. width is contingent on weight capacity.*

Warranty: 10 yr.

### Available arm finishes

Silver -SLV





Product shown: Evolve3Combo, VictoryLX 3-leg, Designer White worksurface, FlexCharge4, Conceal, CPU Mini, Solution 2

# LTH-Edge



## LTH-Edge

Adjustable laptop tray

**\$195**

MODEL # LTH-EDGE-SLV

### Grab and go

Allows your laptop to function as a second display while maintaining convenient access to dismount and relocate.

### Expansion

The LTH-Edge depth expands from 12 inches to over 18 inches to accommodate a single laptop or a laptop with a docking station.

### Cable management

The LTH-Edge has an opening in the back to feed cables through.

## Features

10.3" laptop tray width

12.0"–18.3" adjustable depth

Monitor arm sold separately

Compatible with the following monitor arms:

KataEX, Kata, Evolve, Edge, Eppa

Weight capacity *(based on supporting arm)*

KataEX: up to 14.6 lb.

Kata: up to 14.6 lb.

Evolve: 1.2–12.2 lb.

Edge: 1.2–12.2 lb.

Eppa: up to 12.2 lb.

Warranty: 15 yr.



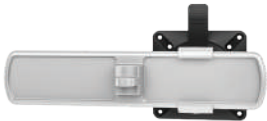
## Available arm finishes

Silver -SLV

# Monitor arm accessories

## Kata slider mount

VESA slider



**\$160**

MODEL # KATA-SLD-SLV  
MODEL # KATA-SLD-BLK  
MODEL # KATA-SLD-WHT

9.5" adjustment from left to right  
Retrofits with the Kata and KataEX series  
Not compatible with the Eppa, Edge, Evolve, or Edge-Max series  
Adds an additional 1.2 lb.  
Patented design for exclusive ESI use  
Warranty: 15 yr.

## Edge/Evolve slider mount

VESA slider



**\$151**

MODEL # EDV-SLD-SLV  
MODEL # EDV-SLD-BLK  
MODEL # EDV-SLD-WHT

8.5" adjustment from left to right  
Retrofits with the Edge and Evolve series  
Not compatible with the Eppa, Edge-Max, Kata, or KataEX series  
Adds an additional 2.2 lb.  
Patented design for exclusive ESI use  
Warranty: 15 yr.



## Thin Client CPU

Monitor arm CPU holder



**\$258**

MODEL # CPU-TC

Mounts between the monitor arm and monitor  
Adjustable width: 1.4"–2.3"  
Mounts to VESA 75mm/100mm  
Adjustment knobs are vibration resistant  
Adds an additional 3.0 lb.  
Warranty: 15 yr.



Monitor arm sold separately

## Weighted VESA mount

Universal VESA bracket



**\$50**

MODEL # VESA-HVY-SLV

For use when monitor weight does not meet minimum weight requirement for monitor arm  
Adds an additional 2.4 lb.  
Warranty: 15 yr.



## VESA 100x200 conversion mount

VESA conversion plates



**\$32**

MODEL # VESA# 100X200-SLV

Converts a 75mm or 100mm VESA mount to attach to a 100mm x 200mm VESA display  
Warranty: 15 yr.



## Knoll® Antenna Benching Mount

Monitor arm mount for use with  
Knoll® Antenna table



**\$119**

MODEL # E-AMT-SLV

Compatible ESI monitor arms:

Evolve monitor arms: single, dual and triple  
configurations

Integrated pole

Warranty: 15 yr.



## Steelcase® C:SCAPE Benching Mount

Monitor arm mount for use with  
Steelcase® C:SCAPE table



**\$154**

MODEL # E-CMT-SLV

Compatible ESI monitor arms:

Evolve monitor arms: single, dual and triple  
configurations

Edge and Edge2

KataEX monitor arms: single, dual and triple  
configurations

Pole sold separately

Warranty: 15 yr.



## Steelcase® Frameone Benching Mount

Monitor arm mount for use with  
Steelcase® Frameone table



**\$140**

MODEL # E-FOMT-SLV

Compatible ESI monitor arms:

Evolve monitor arms: single, dual and triple  
configurations

Edge: single configuration only

KataEX monitor arms: single, dual and triple  
configurations

Pole sold separately

Warranty: 15 yr.



## Allsteel® Stride Benching Mount

Monitor arm mount for use with  
Allsteel® Stride table



**\$101**

MODEL # E-SMT-SLV

Compatible ESI monitor arms:

Evolve monitor arms: single, dual and triple  
configurations

Edge: single configuration only

KataEX monitor arms: single, dual and triple  
configurations

Pole sold separately

Accommodates worksurfaces from 1.0"–1.2" thick  
Warranty: 15 yr.



*Benching mounts are not compatible with all benching systems. Monitor arms are not included with specialty benching mounts. Call our Customer Service Department for compatibility details. All trademarks are property of their respective owners.*



Height adjustable tables

# Change your perspective to win the day

Customize the fit of your workspace with height adjustable tables. Sit. Stand. Or sit and stand throughout your day, for the ultimate in finely tuned comfort. Our tables can be used for any environment, offering you flexibility in your office layouts and workflow; options include electric, pneumatic, and crank bases, with two or three-leg configurations.







*Product shown: VictoryLX 2-leg, Designer White worksurfaces, Evolve2-FM, Evolve1-M, FlexCharge4, Centro, Conceal, Railway, Solution All-Fit, Motific*



# Brisa™



## Brisa

Electric height adjustable table base

**\$1,995**

MODEL # 2B-C48-\_\_-\_\_-\_\_

### Proprietary design

Brisa has been uniquely designed for ESI.

### Fresh approach to finishes

The table base finishes are versatile enough to accommodate a diverse range of workspace interiors. Workplace designers can coordinate the Brisa with any environment with the 36 color combinations by offering silver, black, white and polished aluminum finish options for the base.

### Quick assembly

Frame and column connect and lock for quick and efficient assembly requiring minimal tools.

### Quality materials

Steel frame and aluminum foot construction offer outstanding stability.

### Keypad

Simplistic and stylized digital keypad with two memory settings. It also has the capability of setting a top and bottom height limit.

### Quality testing

Meets or exceeds BIFMA x5.5 and CSA CAN/CGSB44.227 guidelines.

## Features

Electric height adjustment

220 lb. base lifting capacity

1.4"/sec adjustment speed

26.0" height adjustment range

22.3"–48.3" (low/high)  
*(excluding worksurface)*

Three stage adjustable legs

C-Leg

Frame and column connect and lock for quick and easy assembly

Adjustable width frame accommodates worksurfaces 48.0"–72.0"

Digital keypad with two memory settings

Soft start and stop

Gyro sensor anti-collision

Table base is UL962 listed

Warranty: 15 yr. *(structural)*/7 yr. *(mechanical)*

## Available shroud & foot finishes

Silver -S

Black -B

White -W

Polished Aluminum - A (feet only)

## Available column & frame finishes

Silver -SLV

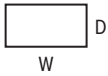
Black -BLK

White -WHT



Table bases

Available worksurfaces

Table base model	List price	Worksurface shape	Worksurface dimension	Available worksurfaces			
				TFL standard		HPL standard	HPL premium
				Quick ship	Standard ship	Standard ship	Standard ship
2B-C48-____	\$1,995	 Rectangle	48"w x 24"d	●	●	●	●
			60"w x 24"d	–	●	●	●
			72"w x 24"d	–	●	●	●
			48"w x 30"d	–	●	●	●
			60"w x 30"d	●	●	●	●
			72"w x 30"d	–	●	●	●

Part number breakdown

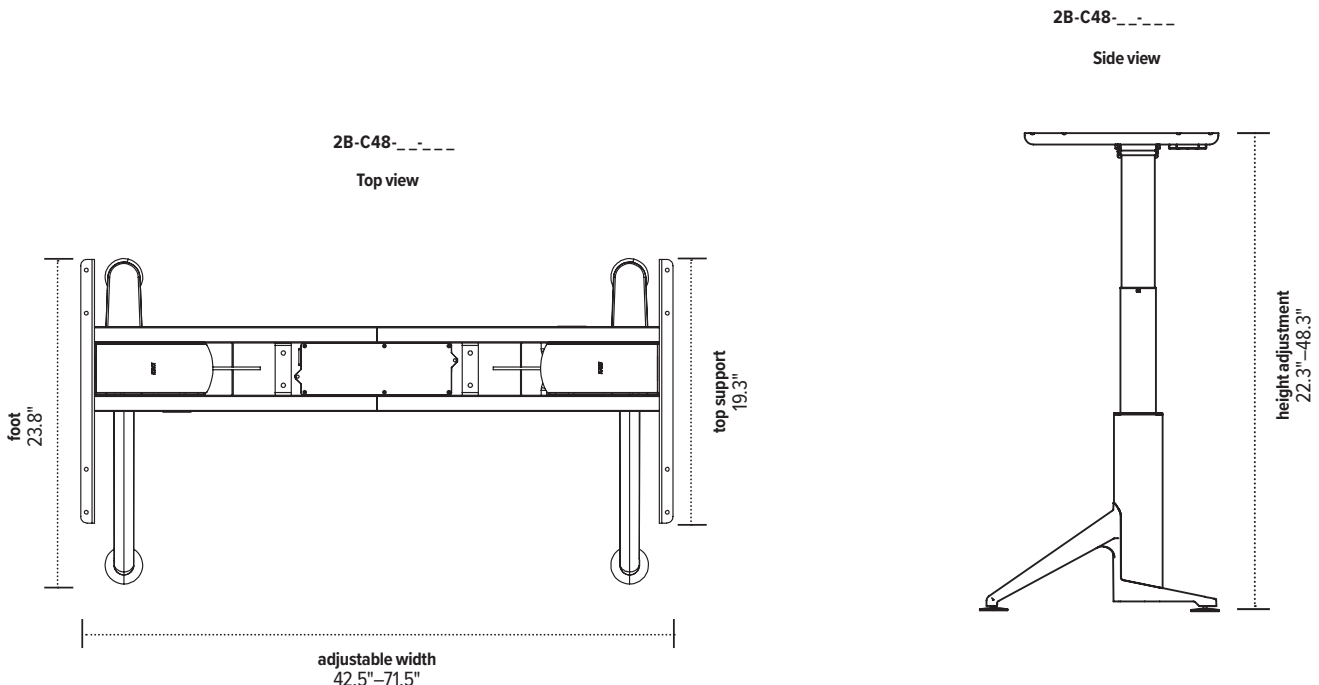


■ shroud finish notation ■ foot finish notation ■ column & frame finish notation

Worksurface program

Multiple worksurface shapes and laminates are available. See pages 143-148 for worksurface details including pricing and laminate colors. TFL quick ship worksurfaces are shipped out in 48 hours, TFL standard and HPL standard/premium worksurfaces ship within three weeks. Lead time may vary depending on quantities ordered and their availability.

Table bases and worksurfaces can be purchased independently or as a combination. ESI worksurfaces are made to exact dimensions. If nominal sizing is needed, please specify when ordering.



The base dimensions as shown are actual.





# Brisa™ complete table

## Complete quick ship table model # breakdown:

2B \_ \_ \_ -R4824-QS-T \_ \_ \_  
 | | | | | | | | | | | |  
 a b c d e f g h i j k

### 48.0" x 24.0" quick ship complete table





Brisa 2-leg table base with a  
 48.0"w x 24.0"d rectangle TFL worksurface

MODEL # 2B   -R4824-QS-T   **\$2,245**

### 60.0" x 30.0" quick ship complete table

Brisa 2-leg table base with a  
 60.0"w x 30.0"d rectangle TFL worksurface

MODEL # 2B   -R6030-QS-T   **\$2,345**

 shroud finish notation       foot finish notation  
 column & frame finish notation       laminate color notation

- a: number of legs
- b: table base series
- c: shroud finish
- d: foot finish
- e: column & frame finish
- f: worksurface shape
- g: worksurface width
- h: worksurface depth
- i: quick ship indicator
- j: laminate material
- k: laminate color

### Available quick ship shroud, foot, column and frame finishes

- Silver -S
- Black -B
- White -W
- Polished Aluminum - A (foot only)

### Available TFL quick ship laminates

- Beigewood - BG
- Phantom Charcoal -PC
- Shadow Oak -SO
- Designer White -DW
- Grey -GR
- Dove Grey -DV

### Brisa table

Quick ship complete table options include all finish combinations for the shroud, feet, column and frame; 48.0"w x 24.0"d or 60.0"w x 30.0"d rectangle worksurfaces; all six TFL laminates. For all other combinations, please call our Customer Service Department for the estimated lead time and cost.

Multiple worksurface shapes and laminates are available. See pages 143-148 for worksurface details including laminate colors.

For all other complete table options reference the Complete table and Worksurface Guide at [esiergo.com](http://esiergo.com)



Product shown: Brisa, Kata2, Lustre, Brazilwood worksurface

# All-Flex<sup>®</sup> 2-leg



## All-Flex 2-leg

Electric height adjustable table base

**\$1,645**

MODEL # FLEX2-\_\_\_

### Two motors

Includes two motors allowing smooth height adjustment while supporting a broad range of worksurface weights.

### Versatility and flexibility

Provides adjustable cross channel, top support and feet making it one of the most adjustable table bases on the market.

### Model part number

All-Flex uses only one model number for all 2-leg sizes and configurations.

### Quality testing

Meets or exceeds BIFMA x5.5 guidelines.

## Features

Electric height adjustment

265 lb. base lifting capacity

1.5"/sec. adjustment speed

26.0" height adjustment range

23.3"–49.3" (low/high)  
*(excluding worksurface)*

Three stage adjustable legs

C-Leg

Foot is adjustable to 22.0" or 28.0"  
*(patented design)*

Leg columns fold out for easy assembly

Adjustable width frame accommodates  
worksurfaces 36.0"–72.0"

Digital keypad with four memory settings

Soft start and stop

Anti-collision

Table base is UL962 listed

Locking casters available

Warranty: 15 yr. *(structural)*/7 yr. *(mechanical)*



## Available base finishes

Silver -SLV

Black -BLK

White -WHT

## Caster kit

Set of four casters for table base

Increases height by 2.0"

Locking casters for security


**\$70**

MODEL # CASTERKIT-FLEX2



Table bases

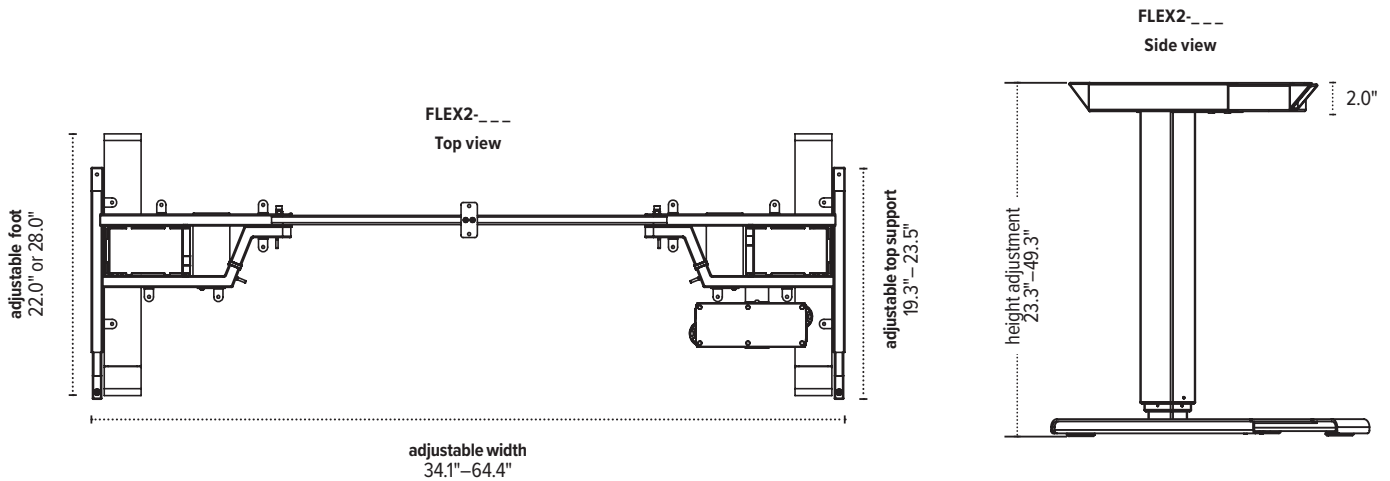
Available worksurfaces

Table base model	List price	Worksurface shape	Worksurface dimension	TFL standard		HPL standard	HPL premium
				Quick ship	Standard ship	Standard ship	Standard ship
FLEX2-___	\$1,645	 Rectangle	36"w x 24"d	—	●	●	●
			42"w x 24"d	—	●	●	●
			48"w x 24"d	●	●	●	●
			60"w x 24"d	—	●	●	●
			72"w x 24"d	—	●	●	●
			36"w x 30"d	—	●	●	●
			42"w x 30"d	—	●	●	●
			48"w x 30"d	—	●	●	●
			60"w x 30"d	●	●	●	●
			72"w x 30"d	—	●	●	●

Worksurface program

Multiple worksurface shapes and laminates are available. See pages 143-148 for worksurface details including pricing and laminate colors. TFL quick ship worksurfaces are shipped out in 48 hours, TFL standard and HPL standard/premium worksurfaces ship within three weeks. Lead time may vary depending on quantities ordered and their availability.

Table bases and worksurfaces can be purchased independently or as a combination. ESI worksurfaces are made to exact dimensions. If nominal sizing is needed, please specify when ordering.



The base dimensions as shown are actual.

# All-Flex<sup>®</sup> 2-leg complete table

## Complete quick ship table model # breakdown:

2F\_\_R4824-QS-T\_\_  
 | | | | | | | | | |  
 a b c d e f g h i

- a: number of legs
- b: type of table base
- c: finish of base
- d: worksurface shape
- e: worksurface width
- f: worksurface depth
- g: quick ship indicator
- h: laminate material
- i: laminate color

### 48.0" x 24.0" quick ship complete table

All-Flex 2-leg table base with a  
 48.0"w x 24.0"d rectangle TFL worksurface

MODEL # 2F\_\_R4824-QS-T\_\_ **\$1,895**

### 60.0" x 30.0" quick ship complete table

All-Flex 2-leg table base with a  
 60.0"w x 30.0"d rectangle TFL worksurface

MODEL # 2F\_\_R6030-QS-T\_\_ **\$1,995**

■ base finish notation    ■ laminate color notation

### Available base finishes

Silver -S

Black -B

White -W

### Available TFL quick ship laminates

Beigewood -BG

Phantom Charcoal -PC

Shadow Oak -SO

Designer White -DW

Grey -GR

Dove Grey -DV

### All-Flex 2-leg table

Quick ship complete table options include: silver, black, or white table bases; 48.0"w x 24.0"d or 60.0"w x 30.0"d rectangle worksurfaces; all six TFL laminates. For all other combinations, please call our Customer Service Department for the estimated lead time and cost.

Multiple worksurface shapes and laminates are available. See pages 143-148 for worksurface details including laminate colors.

For all other complete table options reference the Complete table and Worksurface Guide at [esiergo.com](http://esiergo.com)



Product shown: All-Flex 2-leg, Designer White worksurface, Edge2-MS, Tech Dock, Amble Designer, Conceal, FlexCharge3

# All-Flex<sup>®</sup> 3-leg



## All-Flex 3-leg

Electric height adjustable table base

**\$2,486**

MODEL # FLEX3- \_ \_ \_

### Three motors

Includes three motors allowing smooth height adjustment while supporting a broad range of worksurface weights.

### Versatility and flexibility

Provides adjustable cross channels, top supports and feet making it one of the most adjustable table bases on the market.

### One model number

All-Flex uses only one model number for all 3-leg sizes and configurations.

### Configurations

Can be configured for 90° or 120° with the universal bracket.

### Quality testing

Meets or exceeds BIFMA x5.5 guidelines.

## Features

Electric height adjustment

330 lb. base lifting capacity

1.5"/sec. adjustment speed

26.0" height adjustment range

23.3"–49.3" (low/high)

*(excluding worksurface)*

Three stage adjustable legs

C-Leg

Foot is adjustable to 22.0" or 28.0"

*(patented design)*

Leg columns fold out for easy assembly

Adjustable width frame accommodates worksurfaces 48.0"–84.0"

Digital keypad with four memory settings

Soft start and stop

Anti-collision

Table base is UL962 listed

Locking casters available

Warranty: 15 yr. *(structural)*/7 yr. *(mechanical)*



## Available base finishes

Silver -SLV

Black -BLK

White -WHT

## Caster kit

Set of five casters for table base

Increases height by 2.0"

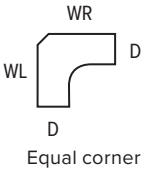
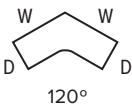
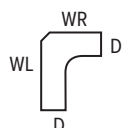
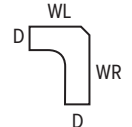
Locking casters for security

**\$88**

MODEL # CASTERKIT-FLEX3

Table bases

Available worksurfaces

Table base model	List price	Worksurface shape	Worksurface dimension	TFL standard		HPL standard	HPL premium
				Quick ship	Standard ship	Standard ship	Standard ship
FLEX3- ____	\$2,486	 Equal corner	60"wl x 60"wr x 24"d	-	●	●	●
			72"wl x 72"wr x 24"d	-	●	●	●
			60"wl x 60"wr x 30"d	-	●	●	●
			72"wl x 72"wr x 30"d	-	●	●	●
			<hr/>				
FLEX3- ____	\$2,486	 120°	48"w x 24"d	-	●	●	●
			60"w x 24"d	-	-	●	●
			72"w x 24"d	-	-	●	●
			48"w x 30"d	-	-	●	●
			60"w x 30"d	-	-	●	●
			72"w x 30"d	-	-	●	●
<hr/>							
FLEX3- ____	\$2,486	 Offset corner left	60"wl x 48"wr x 24"d	-	●	●	●
			72"wl x 48"wr x 24"d	-	●	●	●
			72"wl x 60"wr x 24"d	-	●	●	●
			84"wl x 48"wr x 24"d	-	●	●	●
			84"wl x 60"wr x 24"d	-	-	●	●
			60"wl x 48"wr x 30"d	-	●	●	●
			72"wl x 48"wr x 30"d	-	●	●	●
			72"wl x 60"wr x 30"d	-	●	●	●
			84"wl x 48"wr x 30"d	-	-	●	●
84"wl x 60"wr x 30"d	-	-	●	●			
<hr/>							
FLEX3- ____	\$2,486	 Offset corner right	48"wl x 60"wr x 24"d	-	●	●	●
			48"wl x 72"wr x 24"d	-	●	●	●
			60"wl x 72"wr x 24"d	-	●	●	●
			48"wl x 84"wr x 24"d	-	●	●	●
			60"wl x 84"wr x 24"d	-	-	●	●
			48"wl x 60"wr x 30"d	-	●	●	●
			48"wl x 72"wr x 30"d	-	●	●	●
			60"wl x 72"wr x 30"d	-	●	●	●
			48"wl x 84"wr x 30"d	-	-	●	●
60"wl x 84"wr x 30"d	-	-	●	●			

**Worksurface program**

Multiple worksurface shapes and laminates are available. See pages 143-148 for worksurface details including pricing and laminate colors. TFL quick ship worksurfaces are shipped out in 48 hours, TFL standard and HPL standard/premium worksurfaces ship within three weeks. Lead time may vary depending on quantities ordered and their availability.

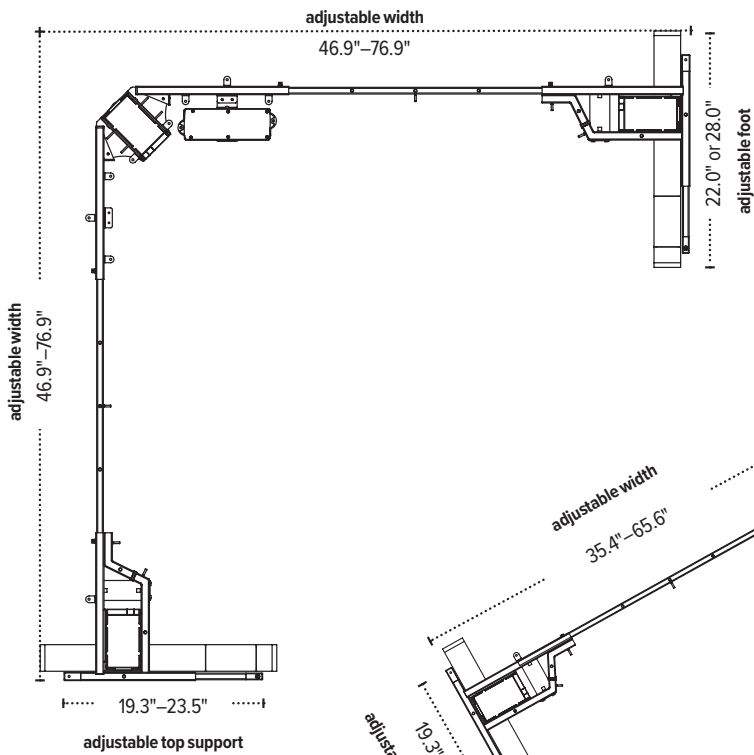
*Table bases and worksurfaces can be purchased independently or as a combination.*

*ESI worksurfaces are made to exact dimensions. If nominal sizing is needed, please specify when ordering.*

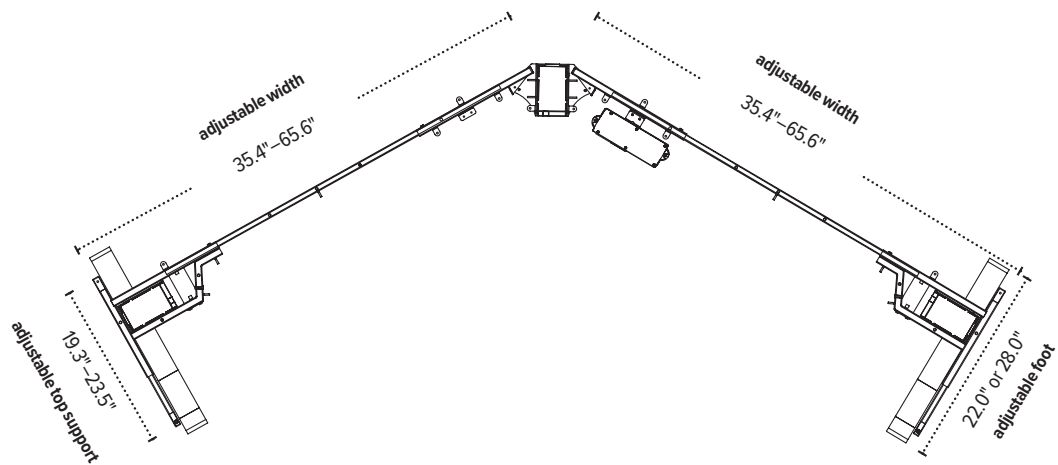


# All-Flex<sup>®</sup> 3-leg

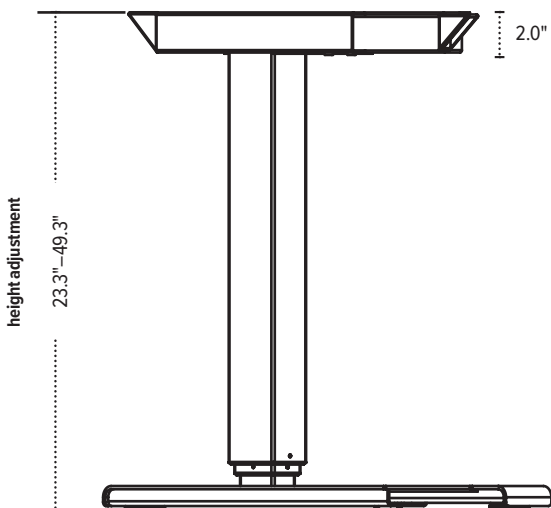
FLEX3-  
90° configuration



FLEX3-  
120° configuration



FLEX3-  
Side view



The base dimensions as shown are actual.



Product shown: All-Flex 3-leg,  
Designer White worksurface,  
Evolve2-MS, Lustre, CPU-05,  
FlexCharge4, Conceal,  
Solution Ultra, G2

# Victory™ LX 2-leg



## VictoryLX 2-leg

Electric height adjustable table base

**\$1,113**

MODEL # 2VT-LX-C \_\_\_ - \_\_\_ - \_\_\_

### Quick assembly

Frame and column connect and lock for quick and efficient assembly requiring minimal tools.

### Gyro sensor anti-collision

The sensor provides superior safety and customizable sensitivity settings.

### Two motors

Includes two motors allowing smooth height adjustment while supporting a broad range of worksurface weights.

### Cross channels

With adjustable cross channels, the table base can adapt over time with the changing technology and work gear needs of the user.

### Quality materials

Steel frame and foot construction offers outstanding stability.

### Quality testing

Meets or exceeds BIFMA x5.5, GI and CSA CAN/CGSB44.227 guidelines.

## Features

Electric height adjustment

220 lb. base lifting capacity

1.4"/sec. adjustment speed

26.0" height adjustment range

21.5"–47.5" (low/high)  
*(excluding worksurface)*

Three stage adjustable legs

C-Leg

Frame and column connect and lock for quick and easy assembly

Adjustable width frame accommodates worksurfaces 36.0"–72.0"

Digital keypad with three memory settings

Soft start and stop

Gyro sensor anti-collision

Table base is UL962 listed

Locking casters available

Warranty: 15 yr. *(structural)*/7 yr. *(mechanical)*

## Available base finishes

Silver -SLV

Black -BLK

White -WHT

## Caster kit

Set of four casters for table base

Increases height by 2.0"


Locking casters for security

**\$53**

MODEL # CASTERKIT-LX-2LEG

Table bases

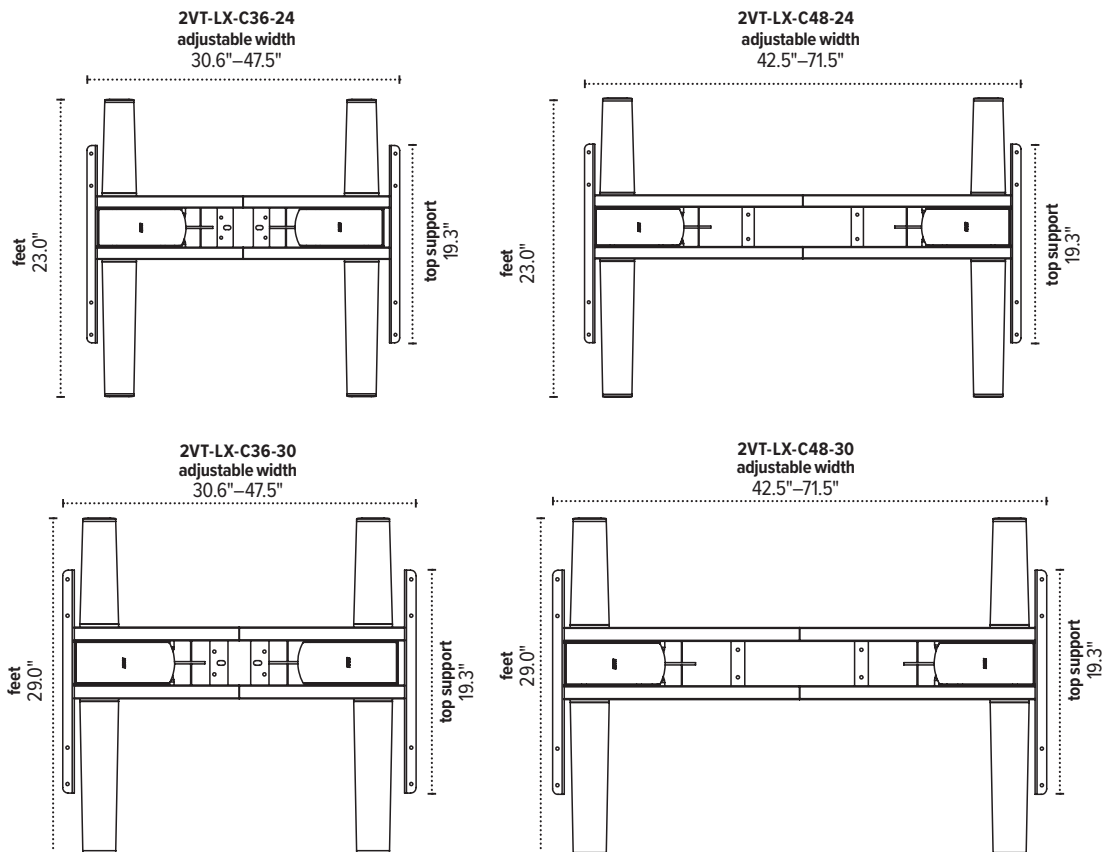
Available worksurfaces

Table base model	List price	Worksurface shape	Worksurface dimension	TFL standard		HPL standard	HPL premium
				Quick ship	Standard ship	Standard ship	Standard ship
2VT-LX-C36-24-___	\$1,113	 W D Rectangle	36"w x 24"d	-	●	●	●
			42"w x 24"d	-	●	●	●
			48"w x 24"d	●	●	●	●
2VT-LX-C48-24-___	\$1,113		60"w x 24"d	-	●	●	●
			72"w x 24"d	-	●	●	●
			36"w x 30"d	-	●	●	●
2VT-LX-C36-30-___	\$1,113	42"w x 30"d	-	●	●	●	
		48"w x 30"d	-	●	●	●	
		60"w x 30"d	●	●	●	●	
2VT-LX-C48-30-___	\$1,113	72"w x 30"d	-	●	●	●	

Worksurface program

Multiple worksurface shapes and laminates are available. See pages 143-148 for worksurface details including pricing and laminate colors. TFL quick ship worksurfaces are shipped out in 48 hours, TFL standard and HPL standard/premium worksurfaces ship within three weeks. Lead time may vary depending on quantities ordered and their availability.

Table bases and worksurfaces can be purchased independently or as a combination. ESI worksurfaces are made to exact dimensions. If nominal sizing is needed, please specify when ordering.



The base dimensions as shown are actual.

# Victory™ LX 2-leg complete table

## Complete quick ship table model # breakdown:

2VT\_-R4824-QS-T\_\_

| | | | | | | | |

a b c d e f g h i

- a: number of legs
- b: type of table base
- c: finish of base
- d: worksurface shape
- e: worksurface width
- f: worksurface depth
- g: quick ship indicator
- h: laminate material
- i: laminate color

### 48.0" x 24.0" quick ship complete table

VictoryLX 2-leg table base with a  
48.0"w x 24.0"d rectangle TFL worksurface

MODEL # 2VT\_-R4824-QS-T\_ \$1,363

### 60.0" x 30.0" quick ship complete table

VictoryLX 2-leg table base with a  
60.0"w x 30.0"d rectangle TFL worksurface

MODEL # 2VT\_-R6030-QS-T\_ \$1,463

■ base finish notation    ■ laminate color notation

### Available base finishes

Silver -S

Black -B

White -W

### Available TFL quick ship laminates

Beigewood -BG

Phantom Charcoal -PC

Shadow Oak -SO

Designer White -DW

Grey -GR

Dove Grey -DV

### VictoryLX 2-leg table

Quick ship complete table options include: silver, black, or white table bases; 48.0"w x 24.0"d or 60.0"w x 30.0"d rectangle worksurfaces; all six TFL laminates. Quick ship worksurfaces will be pre-drilled to accommodate the VictoryLX 2-leg table base. For all other combinations, please call our Customer Service Department for the estimated lead time and cost.

Multiple worksurface shapes and laminates are available. See pages 143-148 for worksurface details including laminate colors.

For all other complete table options reference the Complete table and Worksurface Guide at [esiergo.com](http://esiergo.com)





*Product shown: VictoryLX 2-leg,  
Designer White worksurface,  
Railway, FlexCharge4CX*

# Victory™ LX 3-leg



## VictoryLX 3-leg

Electric height adjustable table base

**\$1,610**

MODEL # 3VT-LX-C\_ \_ \_ \_ - \_ \_ - \_ \_ \_

### Three motors

Includes three motors allowing smooth height adjustment while supporting a broad range of worksurface weights.

### Cross channels

With adjustable cross channels, the table base can adapt over time with the changing technology and work gear needs of the user.

### Quality materials

Steel frame and foot construction offers outstanding stability.

### Height range

Low to high adjustment range meets needs of the largest variety of users. Works with peds and storage with maximum 20 inches in height.

### Configurations

Can be configured for 90° or 120° with the universal bracket.

### Quality testing

Meets or exceeds BIFMA x5.5, GI, and CSA CAN/CGSB44.227 guidelines.

## Features

Electric height adjustment

330 lb. base lifting capacity

1.4"/sec. adjustment speed

26.0" height adjustment range

21.5"–47.5" (low/high)  
*(excluding worksurface)*

Three stage adjustable legs

C-Leg

Adjustable width frame accommodates worksurfaces 48.0"–84.0"

Digital keypad with three memory settings

Soft start and stop

Anti-collision

Table base is UL962 listed

Locking casters available

Warranty: 15 yr. *(structural)*/7 yr. *(mechanical)*

## Available base finishes

Silver -SLV

Black -BLK

White -WHT

## Caster kit

Set of five casters for table base

Includes third foot for caster installation

Increases height by 2.0"

Locking casters for security

**\$103**

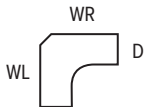
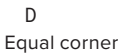
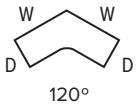
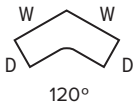
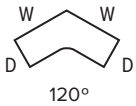
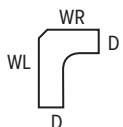
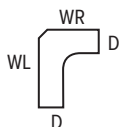
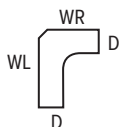
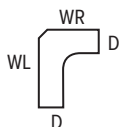
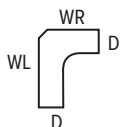
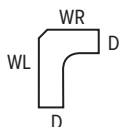
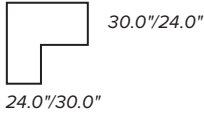
MODEL # CASTERKIT-LX-3LEG-SLV

MODEL # CASTERKIT-LX-3LEG-BLK

MODEL # CASTERKIT-LX-3LEG-WHT

Table bases

Available worksurfaces

Table base model	List price	Worksurface shape	Worksurface dimension	TFL		HPL	HPL
				standard	standard	standard	premium
				Quick ship	Standard ship	Standard ship	Standard ship
3VT-LX-C4848-24-___	\$1,610		60"wl x 60"wr x 24"d	-	●	●	●
			72"wl x 72"wr x 24"d	-	●	●	●
3VT-LX-C4848-30-___	\$1,610		60"wl x 60"wr x 30"d	-	●	●	●
			72"wl x 72"wr x 30"d	-	●	●	●
3VT-LX-C3636-24-___	\$1,610		48"w x 24"d	-	●	●	●
3VT-LX-C4848-24-___	\$1,610		60"w x 24"d	-	-	●	●
			72"w x 24"d	-	-	●	●
3VT-LX-C3636-30-___	\$1,610		48"w x 30"d	-	-	●	●
			60"w x 30"d	-	-	●	●
3VT-LX-C4848-30-___	\$1,610		60"w x 30"d	-	-	●	●
			72"w x 30"d	-	-	●	●
3VT-LX-C4836-24-___	\$1,610		60"wl x 48"wr x 24"d	-	●	●	●
			72"wl x 48"wr x 24"d	-	●	●	●
			72"wl x 60"wr x 24"d	-	●	●	●
3VT-LX-C4848-24-___	\$1,610		84"wl x 48"wr x 24"d	-	●	●	●
			84"wl x 60"wr x 24"d	-	-	●	●
			60"wl x 48"wr x 30"d	-	●	●	●
3VT-LX-C4836-30-___	\$1,610	Offset corner left	72"wl x 48"wr x 30"d	-	●	●	●
			72"wl x 60"wr x 30"d	-	●	●	●
			84"wl x 48"wr x 30"d	-	-	●	●
3VT-LX-C4848-30-___	\$1,610		84"wl x 60"wr x 30"d	-	-	●	●
3VT-LX-C4836-24-___	\$1,610		48"wl x 60"wr x 24"d	-	●	●	●
			48"wl x 72"wr x 24"d	-	●	●	●
			48"wl x 84"wr x 24"d	-	●	●	●
3VT-LX-C4848-24-___	\$1,610		60"wl x 72"wr x 24"d	-	●	●	●
			60"wl x 84"wr x 24"d	-	-	●	●
			48"wl x 60"wr x 30"d	-	●	●	●
3VT-LX-C4836-30-___	\$1,610	Offset corner right	48"wl x 72"wr x 30"d	-	●	●	●
			48"wl x 84"wr x 30"d	-	●	●	●
			60"wl x 72"wr x 30"d	-	-	●	●
3VT-LX-C4848-30-___	\$1,610		60"wl x 84"wr x 30"d	-	-	●	●
3VT-LX-C3636-2430-___	\$1,610		30.0" x 24.0"	Please contact our Customer Service Department to specify the dimensions and laminates for this style of work surface			
3VT-LX-C4848-2430-___	\$1,610		24.0" x 30.0"				
3VT-LX-C4836-2430-___	\$1,610		Reversible configurations				

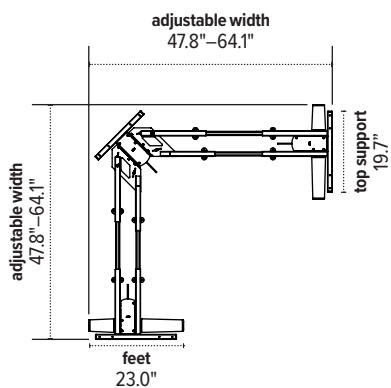
**Worksurface program**

Multiple worksurface shapes and laminates are available. See pages 143-148 for worksurface details including pricing and laminate colors. TFL quick ship worksurfaces are shipped out in 48 hours, TFL standard and HPL standard/premium worksurfaces ship within three weeks. Lead time may vary depending on quantities ordered and their availability.

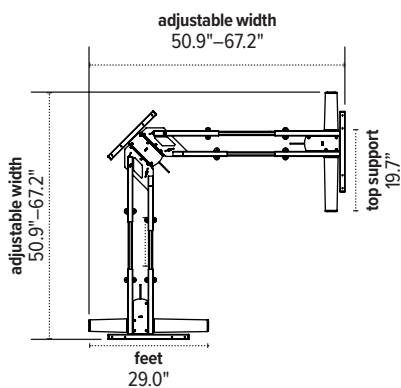
Table bases and worksurfaces can be purchased independently or as a combination. ESI worksurfaces are made to exact dimensions. If nominal sizing is needed, please specify when ordering.

# Victory™ LX 3-leg

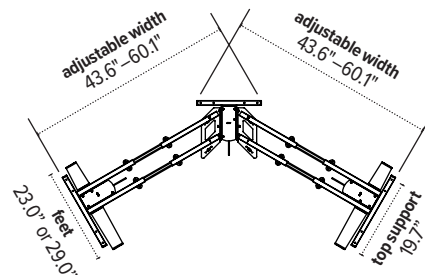
**3VT-LX-C3636-24**



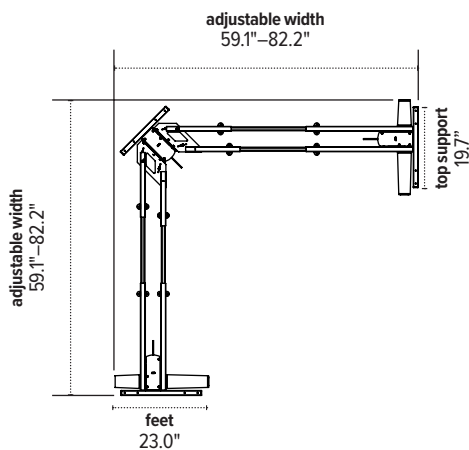
**3VT-LX-C3636-30**



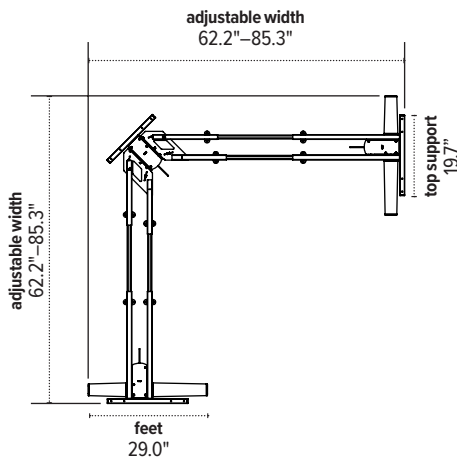
**3VT-LX-C3636-24 & 3VT-LX-C3636-24**  
**120° CONFIGURATION**



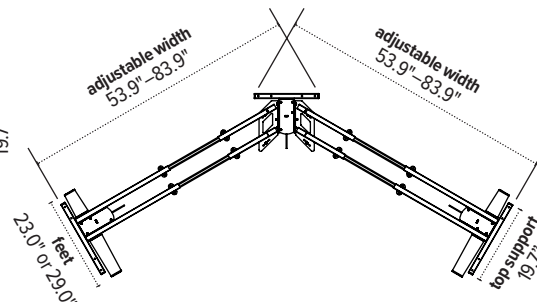
**3VT-LX-C4848-24**



**3VT-LX-C4848-30**

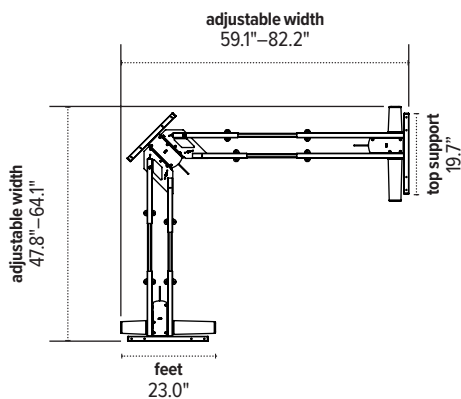


**3VT-LX-C4848-24 & 3VT-LX-C4848-30**  
**120° CONFIGURATION**



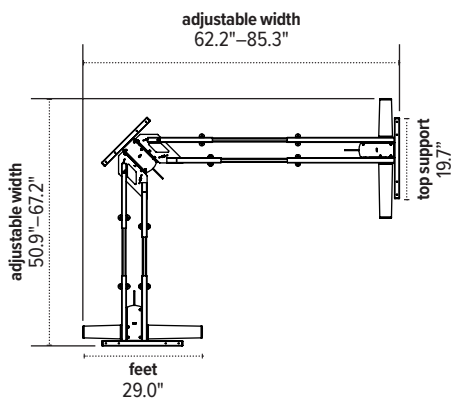
**3VT-LX-C4836-24**

Reversible configuration

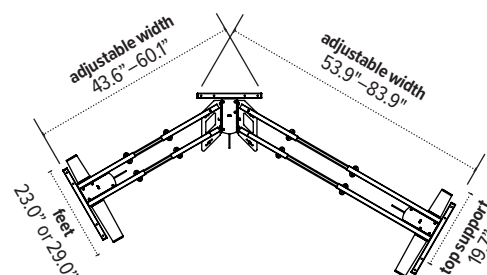


**3VT-LX-C4836-30**

Reversible configuration



**3VT-LX-C4836-24 & 3VT-LX-C4836-24**  
**Reversible configuration(s)**



The base dimensions as shown are actual.





*Product shown: VictoryLX 3-leg, Designer White worksurfaces, Evolve2-FMS, Evolve3-FMS, FlexCharge4, Railway, Centro, Solution 1*



*Product shown: VictoryLX 3-leg, Designer White worksurfaces, Lily LEDX, Edge, Conceal, CPU-05, Centro, Solution Ultra, Railway*



# Triumph™ LX



## TriumphLX

Electric height adjustable table base

**\$943**

MODEL # 2T-LX-C-\_\_\_-\_\_\_-\_\_\_

### Quick assembly

Frame and column connect and lock for quick and efficient assembly requiring minimal tools.

### Gyro sensor anti-collision

The sensor provides superior safety and customizable sensitivity settings.

### Two motors

Includes two motors allowing smooth height adjustment while supporting a broad range of worksurface weights.

### Cross channels

With adjustable cross channels, the table base can adapt over time with the changing technology and work gear needs of the user.

### Quality materials

Steel frame and foot construction offers outstanding stability.

### Quality testing

Meets or exceeds BIFMA x5.5 guidelines.

## Features

Electric height adjustment

220 lb. base lifting capacity

1.4"/sec. adjustment speed

17.0" height adjustment range

26.5"–43.5" (low/high)  
*(excluding worksurface)*

Two stage adjustable legs

C-Leg

Frame and column connect and lock for quick and easy assembly

Adjustable width frame accommodates worksurfaces 36.0"–72.0"

Digital keypad with three memory settings

Soft start and stop

Gyro sensor anti-collision

Table base is UL962 listed

Locking casters available

Warranty: 15 yr. *(structural)*/7 yr. *(mechanical)*

## Available base finishes

Silver -SLV

Black -BLK

White -WHT

## Caster kit

Set of four casters for table base

Increases height by 2.0"


Locking casters for security

**\$53**

MODEL # CASTERKIT-LX-2LEG

Table bases

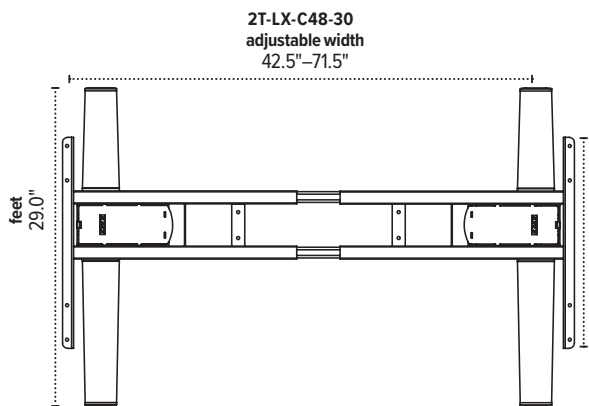
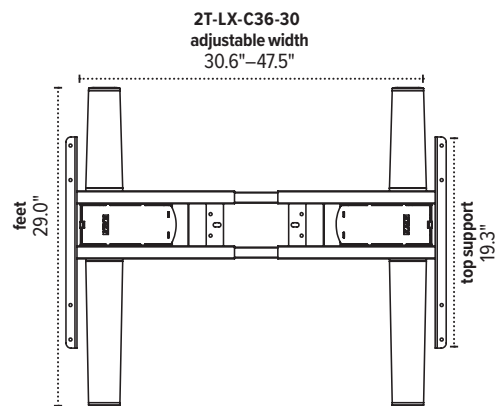
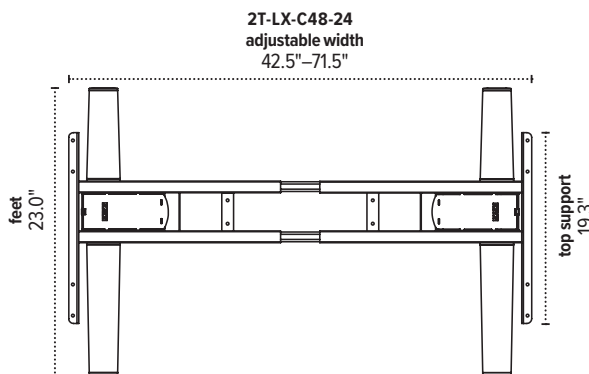
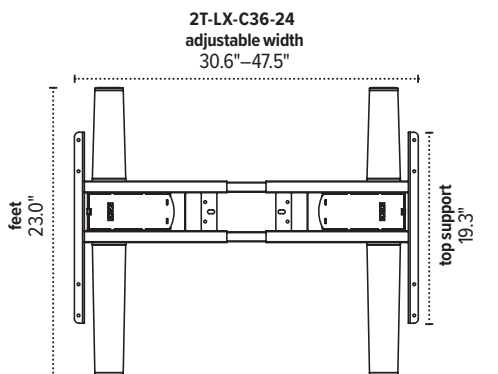
Available worksurfaces

Table base model	List price	Worksurface shape	Worksurface dimension	TFL standard		HPL standard	HPL premium
				Quick ship	Standard ship	Standard ship	Standard ship
2T-LX-C36-24-___	\$943	 Rectangle	36"w x 24"d	–	●	●	●
			42"w x 24"d	–	●	●	●
			48"w x 24"d	●	●	●	●
2T-LX-C48-24-___	\$943		60"w x 24"d	–	●	●	●
			72"w x 24"d	–	●	●	●
2T-LX-C36-30-___	\$943		36"w x 30"d	–	●	●	●
		42"w x 30"d	–	●	●	●	
		48"w x 30"d	–	●	●	●	
2T-LX-C48-30-___	\$943	60"w x 30"d	●	●	●	●	
		72"w x 30"d	–	●	●	●	

Worksurface program

Multiple worksurface shapes and laminates are available. See pages 143-148 for worksurface details including pricing and laminate colors. TFL quick ship worksurfaces are shipped out in 48 hours, TFL standard and HPL standard/premium worksurfaces ship within three weeks. Lead time may vary depending on quantities ordered and their availability.

Table bases and worksurfaces can be purchased independently or as a combination. ESI worksurfaces are made to exact dimensions. If nominal sizing is needed, please specify when ordering.



The base dimensions as shown are actual.

# Triumph™ LX complete table

## Complete quick ship table model # breakdown:

2T\_\_R4824-QS-T\_\_

| | | | | | | | |

a b c d e f g h i

- a: number of legs
- b: type of table base
- c: finish of base
- d: worksurface shape
- e: worksurface width
- f: worksurface depth
- g: quick ship indicator
- h: laminate material
- i: laminate color

### 48.0" x 24.0" quick ship complete table

TriumphLX 2-leg table base with a 48.0"w x 24.0"d rectangle TFL worksurface

MODEL # 2T\_\_R4824-QS-T\_\_ \$1,193

### 60.0" x 30.0" quick ship complete table

TriumphLX 2-leg table base with a 60.0"w x 30.0"d rectangle TFL worksurface

MODEL # 2T\_\_R6030-QS-T\_\_ \$1,293

■ base finish notation    ■ laminate color notation

### Available base finishes

Silver -S

Black -B

White -W

### Available TFL quick ship laminates

Beigewood -BG

Phantom Charcoal -PC

Shadow Oak -SO

Designer White -DW

Grey -GR

Dove Grey -DV

### TriumphLX table

Quick ship complete table options include: silver, black, or white table bases; 48.0"w x 24.0"d or 60.0"w x 30.0"d rectangle worksurfaces; all six TFL laminates. Quick ship worksurfaces will be pre-drilled to accommodate the TriumphLX table base. For all other combinations, please call our Customer Service Department for the estimated lead time and cost.

Multiple worksurface shapes and laminates are available. See pages 143-148 for worksurface details including laminate colors.

For all other complete table options reference the Complete table and Worksurface Guide at [esiergo.com](http://esiergo.com)



Product shown: TriumphLX, Designer White worksurfaces, Birdi, FlexCharge3, Pixie-LED, Motific



Product shown: Enmo, Designer White worksurfaces, FlexCharge3, Eppa2, Railway, Conceal, Solution All-Fit

# Enmo™



## Enmo

Electric height adjustable table base

**\$700**

MODEL # 2NM-C48-\_\_\_

### Two motors

Includes two motors allowing smooth height adjustment while supporting a broad range of worksurface weights.

### Quality testing

Meets or exceeds BIFMA x5.5 guidelines.

## Features

Electric height adjustment

220 lb. base lifting capacity

1.3"/sec. adjustment speed

17.4" height adjustment range

27.4"–44.8" (low/high)  
*(excluding worksurface)*

Two stage adjustable legs

T-Leg

Adjustable width frame accommodates  
worksurfaces 48.0"–72.0"

Keypad with up and down buttons

Soft start and stop

Anti-collision

Table base is UL962 listed

Locking casters available

Warranty: 15 yr. *(structural)*/7 yr. *(mechanical)*

## Available base finishes

Silver -SLV

Black -BLK

White -WHT

## Caster kit

Set of four casters for table base

Increases height by 2.0"

Locking casters for security

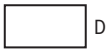
**\$53**

MODEL # CASTERKIT-2NM



Table bases

Available worksurfaces

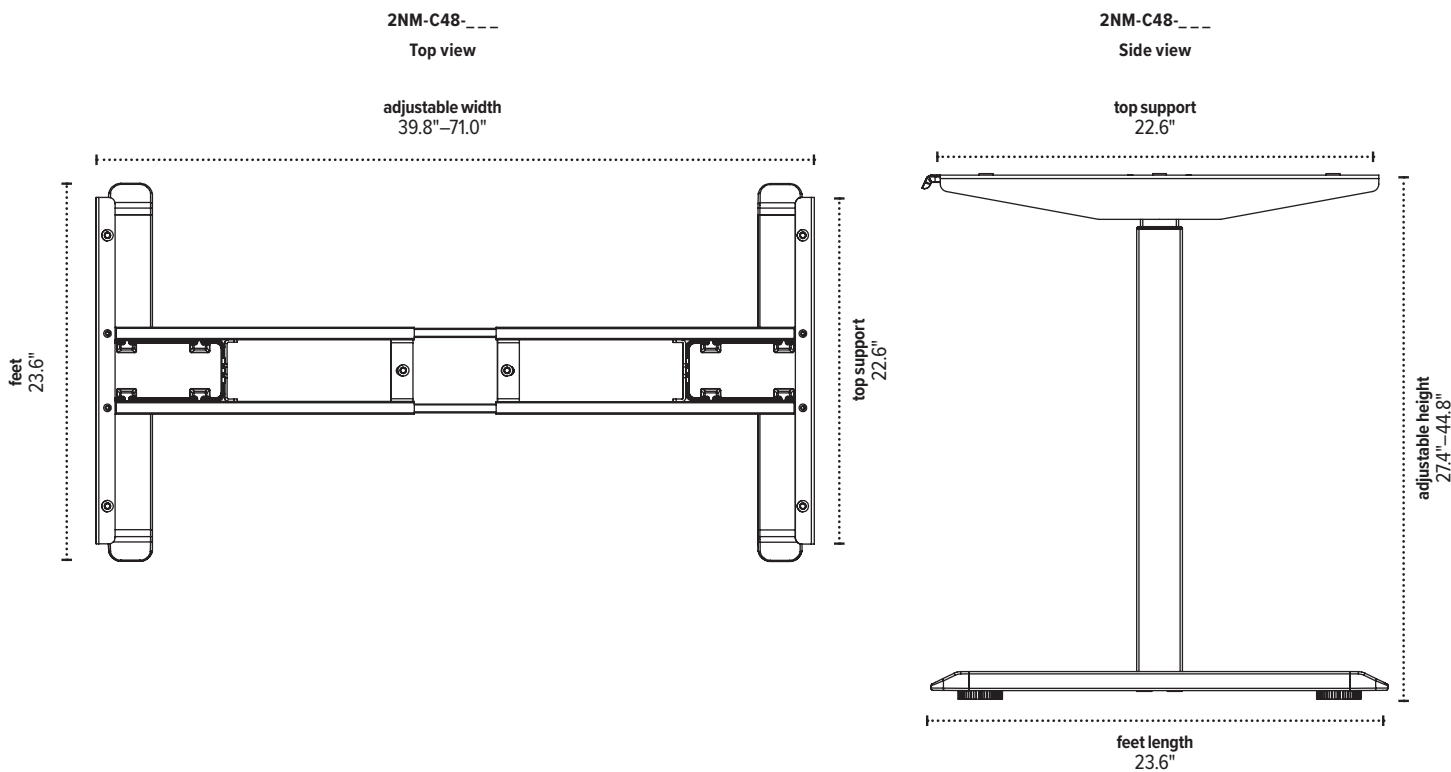
Table base model	List price	Worksurface shape	Worksurface dimension	Available worksurfaces			
				TFL standard	HPL standard	HPL premium	
				Quick ship	Standard ship	Standard ship	Standard ship
2NM-C48-___	\$700	 W D Rectangle	48"w x 24"d	●	●	●	●
			60"w x 24"d	—	●	●	●
			72"w x 24"d	—	●	●	●
			48"w x 30"d	—	●	●	●
			60"w x 30"d	●	●	●	●
			72"w x 30"d	—	●	●	●

Worksurface program

Multiple worksurface shapes and laminates are available. See pages 143-148 for worksurface details including pricing and laminate colors. TFL quick ship worksurfaces are shipped out in 48 hours, TFL standard and HPL standard/premium worksurfaces ship within three weeks. Lead time may vary depending on quantities ordered and their availability.

Table bases and worksurfaces can be purchased independently or as a combination.

ESI worksurfaces are made to exact dimensions. If nominal sizing is needed, please specify when ordering.



The base dimensions as shown are actual.

# Enmo™ complete table

## Complete quick ship table model # breakdown:

2NM\_\_R4824-QS-T\_\_

| | | | | | | | |

a b c d e f g h i

- a: number of legs
- b: type of table base
- c: finish of base
- d: worksurface shape
- e: worksurface width
- f: worksurface depth
- g: quick ship indicator
- h: laminate material
- i: laminate color

### 48.0" x 24.0" quick ship complete table

Enmo 2-leg table base with a  
48.0"w x 24.0"d rectangle TFL worksurface

MODEL # 2NM\_\_R4824-QS-T\_\_ \$950

### 60.0" x 30.0" quick ship complete table

Enmo 2-leg table base with a  
60.0"w x 30.0"d rectangle TFL worksurface

MODEL # 2NM\_\_R6030-QS-T\_\_ \$1,050

■ base finish notation    ■ laminate color notation

### Available base finishes

Silver -S

Black -B

White -W

### Available TFL quick ship laminates

Beigewood -BG

Phantom Charcoal -PC

Shadow Oak -SO

Designer White -DW

Grey -GR

Dove Grey -DV

### Enmo table

Quick ship complete table options include: silver, black, or white table bases; 48.0"w x 24.0"d or 60.0"w x 30.0"d rectangle worksurfaces; all six TFL laminates. Quick ship worksurfaces will be pre-drilled to accommodate the Enmo table base. For all other combinations, please call our Customer Service Department for the estimated lead time and cost.

Multiple worksurface shapes and laminates are available. See pages 143-148 for worksurface details including laminate colors.

For all other complete table options reference the Complete table and Worksurface Guide at [esiergo.com](http://esiergo.com)

# Trada™



## Trada

Electric height adjustable table base

**\$949**

MODEL # 2TD-C48-24-\_\_\_\_

### Quick assembly

Frame and column connect and lock for quick and efficient assembly requiring minimal tools.

### Two motors

Includes two motors allowing smooth height adjustment while supporting a broad range of worksurface weights.

### Cross channels

With adjustable cross channels, the table base can adapt over time with the changing technology and work gear needs of the user.

### Quality materials

Steel frame and foot construction offers outstanding stability.

### Quality testing

Meets or exceeds BIFMA x5.5, GI and CSA C22.2 #68 guidelines.

## Features

Electric height adjustment

265 lb. base lifting capacity

1.5"/sec. adjustment speed

25.5" height adjustment range

24.5"–50.0" (low/high)  
*(excluding worksurface)*

Anti-collision

Three stage adjustable legs

C-Leg

Adjustable width frame accommodates  
worksurfaces 48.0"–72.0"

Standard keypad with up and down buttons or  
digital 4-memory keypad available

Soft start and stop

Table base is UL962 listed

Low standby power consumption

Complete tables available *(base and top)*

Warranty: 15 yr. *(structural)*/7 yr. *(mechanical)*



## Available base finishes

Silver -SLV

Black -BLK

White -WHT

## Digital 4 Memory Keypad

Digital Programmable Keypad with 4  
memory settings

Includes up and down buttons, a digital  
read out, 4 memory presets and a  
programmable upper and lower limit

Sleep Mode to decrease power  
consumption

**\$57**

MODEL # 2TDM-DGTLKPD

## Caster kit

Set of four casters for table base

Increases height by 2.0"

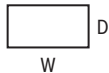
Locking casters for security

**\$53**

MODEL # CASTERKIT-2TD

Table bases

Available worksurfaces

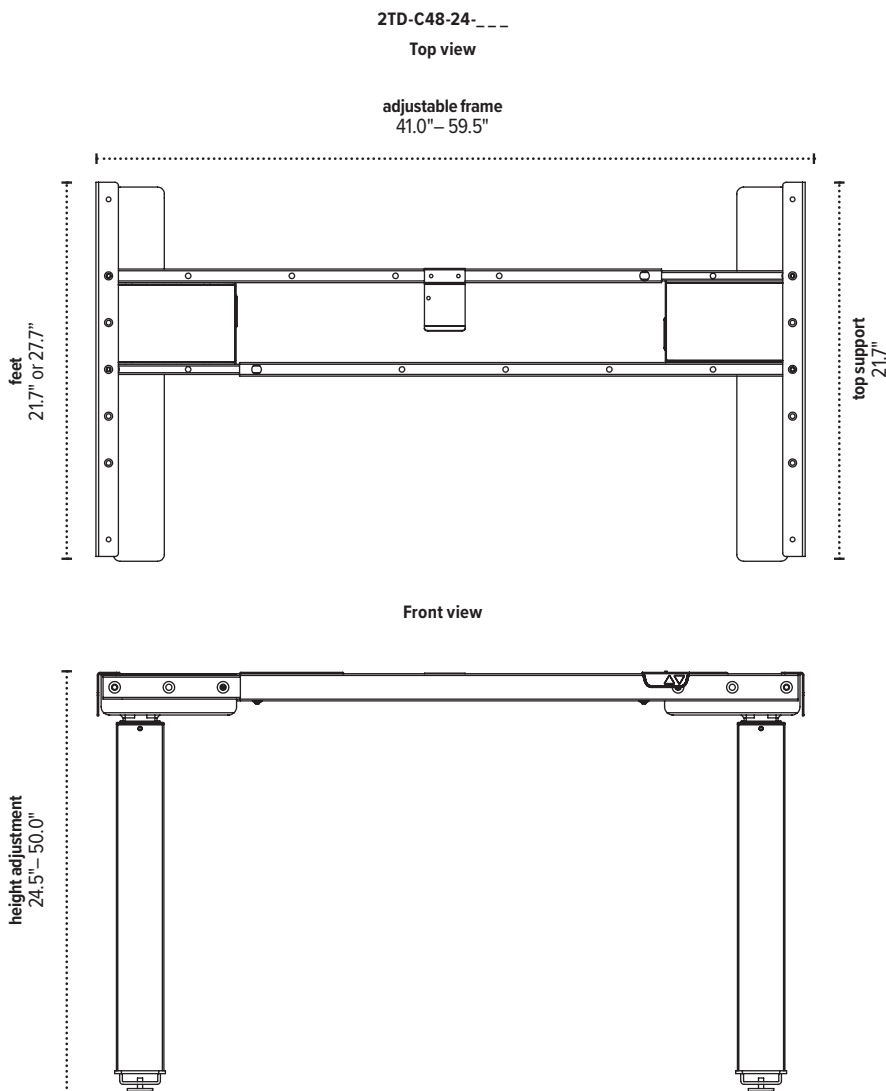
Table base model	List price	Worksurface shape	Worksurface dimension	TFL standard		HPL standard	HPL premium	
				Quick ship	Standard ship	Standard ship	Standard ship	
2TD-C48-24-___	\$949	 Rectangle	48"w x 24"d	●	●	●	●	
2TDM-C48-24-___	\$1006		60"w x 24"d	–	●	●	●	
.....			72"w x 24"d	–	●	●	●	
2TD-C48-30-___	\$949		48"w x 30"d	–	●	●	●	
2TDM-C48-30-___	\$1006		60"w x 30"d	●	●	●	●	
.....			72"w x 30"d	–	●	●	●	

Worksurface program

Multiple worksurface shapes and laminates are available. See the Complete Table & Worksurface Ordering Guide for worksurface details including pricing and laminate colors. TFL quick ship worksurfaces are shipped out in 48 hours, TFL standard and HPL standard/premium worksurfaces ship within three weeks. Lead time may vary depending on quantities ordered and their availability.

Table bases and worksurfaces can be purchased independently or as a combination.

ESI worksurfaces are made to exact dimensions. If nominal sizing is needed, please specify when ordering.



The base dimensions as shown are actual.

# Trada™

## Complete quick ship table model # breakdown:

2TD\_\_-R4824-QS-T\_\_

| | | | | | | | | | | |  
a b d e f g h i j

2TDM\_\_-R4824-QS-T\_\_

| | | | | | | | | | | |  
a b c d e f g h i j

### 48.0" x 24.0" quick ship complete table

Trada table base with a 48.0"w x 24.0"d rectangle  
TFL worksurface with standard keypad

MODEL # 2TD\_\_-R4824-QS-T\_\_ **\$1,199**

Trada table base with a 48.0"w x 24.0"d rectangle  
TFL worksurface with digital keypad

MODEL # 2TDM\_\_-R4824-QS-T\_\_ **\$1,256**

### 60.0" x 30.0" quick ship complete table

Trada table base with a 60.0"w x 30.0"d rectangle  
TFL worksurface with standard keypad

MODEL # 2TD\_\_-R6030-QS-T\_\_ **\$1,299**

Trada table base with a 60.0"w x 30.0"d rectangle  
TFL worksurface with digital keypad

MODEL # 2TDM\_\_-R6030-QS-T\_\_ **\$1,356**

■ base finish notation    ■ laminate color notation

- a: number of legs
- b: type of table base
- c: 4-memory digital keypad
- d: finish of base
- e: worksurface shape
- f: worksurface width
- g: worksurface depth
- h: quick ship indicator
- i: laminate material
- j: laminate color

### Available base finishes

Silver -S

Black -B

White -W

### Available TFL quick ship laminates

Beigewood -BG

Phantom Charcoal -PC

Shadow Oak -SO

Designer White -DW

Grey -GR

Dove Grey -DV

### Trada table

Quick ship complete table options include: silver, black, or white table bases; 48.0"x24.0" or 60.0"x30.0" rectangle worksurfaces; all six TFL laminates. For all other combinations, please call our Customer Service Department for the estimated lead time and cost.

Multiple worksurface shapes and laminates are available. See Complete Table and Worksurface Guide for worksurface details including laminate colors.



# Electric table bases

## Brisa™

Electric height adjustable table base



**\$1,995**

MODEL # 2B-C48-\_\_\_-\_\_\_

- Silver -SLV
- Black -BLK
- White -WHT

## All-Flex® 2-leg

Electric height adjustable table base



**\$1,645**

MODEL # FLEX2-\_\_\_

- Silver -SLV
- Black -BLK
- White -WHT

## All-Flex® 3-leg



Electric height adjustable table base



**\$2,486**

MODEL # FLEX3-\_\_\_

- Silver -SLV
- Black -BLK
- White -WHT

Electric height adjustment	Electric height adjustment	Electric height adjustment
220 lb. base lifting capacity	265 lb. base lifting capacity	330 lb. base lifting capacity
1.4" / sec. adjustment speed	1.5" / sec. adjustment speed	1.5" / sec. adjustment speed
26.0" height adjustment range 22.3"–48.3" (low/high) <i>(excluding worksurface)</i>	26.0" height adjustment range 23.3"–49.3" (low/high) <i>(excluding worksurface)</i>	26.0" height adjustment range 23.3"–49.3" (low/high) <i>(excluding worksurface)</i>
Three stage adjustable legs	Three stage adjustable legs	Three stage adjustable legs
C-Leg	C-Leg	C-Leg
–	Foot is adjustable to 22.0" or 28.0" <i>(patented design)</i>	Foot is adjustable to 22.0" or 28.0" <i>(patented design)</i>
Frame and column connect and lock for quick and easy assembly	Leg columns fold out for easy assembly	Leg columns fold out for easy assembly
Adjustable width frame accommodates worksurfaces 48.0"–72.0"	Adjustable width frame accommodates worksurfaces 36.0"–72.0"	Adjustable width frame accommodates worksurfaces 48.0"–84.0"
Digital keypad with two memory settings	Digital keypad with four memory settings	Digital keypad with four memory settings
Soft start and stop	Soft start and stop	Soft start and stop
Gyro sensor anti-collision	Anti-collision	Anti-collision
Table base is UL962 listed	Table base is UL962 listed	Table base is UL962 listed
–	Locking casters available	Locking casters available
Warranty: 15 yr. <i>(structural)</i> /7 yr. <i>(mechanical)</i>	Warranty: 15 yr. <i>(structural)</i> /7 yr. <i>(mechanical)</i>	Warranty: 15 yr. <i>(structural)</i> /7 yr. <i>(mechanical)</i>
–		
Reference pages 144-146 for worksurfaces price lists	Reference pages 144-146 for worksurfaces price lists	Reference pages 144-146 for worksurfaces price lists

Visit our website for additional specs, dimensional drawings, alternative images and more resources for all of ESI's products.

# Electric table bases

## Victory™ LX 2-leg

Electric height adjustable table base



**\$1,113**

MODEL # 2VT-LX-C \_ \_ \_ \_ \_

- Silver -SLV
- Black -BLK
- White -WHT

## Victory™ LX 3-leg

Electric height adjustable table base



**\$1,610**

MODEL # 3VT-LX-C \_ \_ \_ \_ \_

- Silver -SLV
- Black -BLK
- White -WHT

Electric height adjustment

220 lb. base lifting capacity

1.4"/sec. adjustment speed

26.0" height adjustment range  
21.5"–47.5" (low/high)  
*(excluding worksurface)*

Three stage adjustable legs

C-Leg

Frame and column connect and lock  
for quick and easy assembly

Adjustable width frame accommodates  
worksurfaces 36.0"–72.0"

Digital keypad with three memory settings

Soft start and stop

Gyro sensor anti-collision

Table base is UL962 listed

Locking casters available

Warranty: 15 yr. *(structural)*/7 yr. *(mechanical)*

Reference pages 144-146 for  
worksurfaces price lists

Electric height adjustment

330 lb. base lifting capacity

1.4"/sec. adjustment speed

26.0" height adjustment range  
21.5"–47.5" (low/high)  
*(excluding worksurface)*

Three stage adjustable legs

C-Leg

–

Adjustable width frame accommodates  
worksurfaces 48.0"–84.0"

Digital keypad with three memory settings

Soft start and stop

Anti-collision

Table base is UL962 listed

Locking casters available

Warranty: 15 yr. *(structural)*/7 yr. *(mechanical)*

Reference pages 144-146 for  
worksurfaces price lists

## Triumph™ LX

Electric height adjustable  
table base



**\$943**

MODEL # 2T-LX-C \_ \_ - \_ \_ - \_ \_ \_

- Silver -SLV
- Black -BLK
- White -WHT

## Enmo™

Electric height adjustable  
table base



**\$700**

MODEL # 2NM-C48- \_ \_ \_

- Silver -SLV
- Black -BLK
- White -WHT

Electric height adjustment	Electric height adjustment
220 lb. base lifting capacity	220 lb. base lifting capacity
1.4" / sec. adjustment speed	1.3" / sec. adjustment speed
17.0" height adjustment range 26.5"–43.5" (low/high) <i>(excluding worksurface)</i>	17.4" height adjustment range 27.4"–44.8" (low/high) <i>(excluding worksurface)</i>
Two stage adjustable legs	Two stage adjustable legs
C-Leg	T-Leg
Frame and column connect and lock for quick and easy assembly	–
Adjustable width frame accommodates worksurfaces 36.0"–72.0"	Adjustable width frame accommodates worksurfaces 48.0"–72.0"
Digital keypad with three memory settings	Keypad with up and down buttons
Soft start and stop	Soft start and stop
Gyro sensor anti-collision	Anti-collision
Table base is UL962 listed	Table base is UL962 listed
Locking casters available	Locking casters available
Warranty: 15 yr. <i>(structural)</i> /7 yr. <i>(mechanical)</i>	Warranty: 15 yr. <i>(structural)</i> /7 yr. <i>(mechanical)</i>
Reference pages 144-146 for worksurfaces price lists	Reference pages 144-146 for worksurfaces price lists

# Weight Adjustable Espree™



## Weight Adjustable Espree

Pneumatic height adjustable table base

**\$2,107**

MODEL # 2ESP-WA-C48-\_\_\_

**\$2,188**

MODEL # 2ESP-WA-C60-\_\_\_

### Environmentally friendly

With no power needed, it is both environmentally friendly and easy to retrofit any space with power limitations.

### Adjustable feet

Feet adjust to 22 or 28 inches long with a removable plate which accommodates worksurfaces 24 through 36 inches deep.

### Weight resistance gauge

The user has the ability to change the weight resistance in the base for easy height adjustment.

### Quality testing

Meets or exceeds BIFMA x5.5 guidelines.

### Features

Pneumatic height adjustment

44 lb.–143 lb. base lifting capacity  
(2ESP-WA-C48)

52 lb.–163 lb. base lifting capacity  
(2ESP-WA-C60)

19.5" height adjustment range  
26.3"–45.8" (low/high)  
(excluding worksurface)

Three stage adjustable legs

C-Leg

Foot is adjustable to 22.0" or 28.0"  
(patented design)

Fixed width frame

Weight adjustable with adjustment gauge

Includes adjustment tools

Locking casters available

Warranty: 15 yr. (structural)/7 yr. (mechanical)



### Available base finishes

Silver -SLV

Black -BLK

White -WHT

### Caster kit

Set of four casters for table base

Increases height by 2.0"

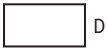
Locking casters for security

**\$70**

MODEL # CASTERKIT-ESP-WA

Table bases

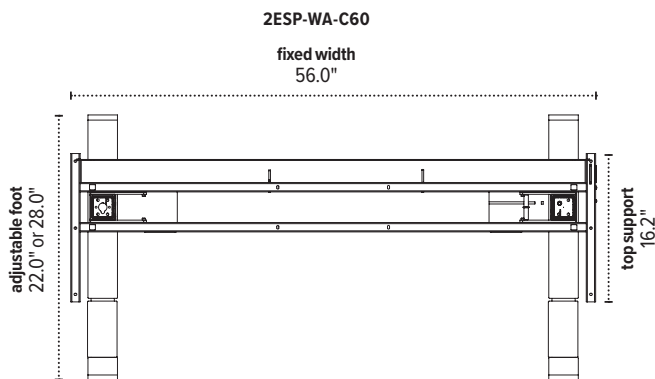
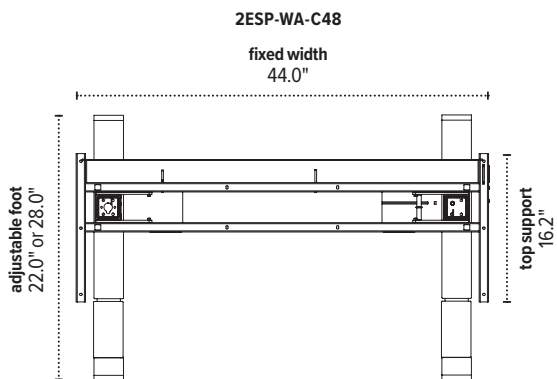
Available worksurfaces

Table base model	List price	Worksurface shape	Worksurface dimension	TFL standard		HPL standard	HPL premium
				Quick ship	Standard ship	Standard ship	Standard ship
2ESP-WA-C48- _ _ _	\$2,107	 W D Rectangle	48"w x 24"d	●	●	●	●
			48"w x 30"d	—	●	●	●
2ESP-WA-C60- _ _ _	\$2,188	Rectangle	60"w x 24"d	—	●	●	●
			60"w x 30"d	●	●	●	●

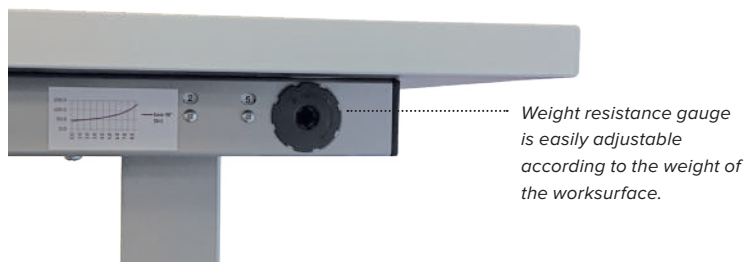
**Worksurface program**

Multiple worksurface shapes and laminates are available. See pages 143-148 for worksurface details including pricing and laminate colors. TFL quick ship worksurfaces are shipped out in 48 hours, TFL standard and HPL standard/premium worksurfaces ship within three weeks. Lead time may vary depending on quantities ordered and their availability.

Table bases and worksurfaces can be purchased independently or as a combination.  
 ESI worksurfaces are made to exact dimensions. If nominal sizing is needed, please specify when ordering.



The base dimensions as shown are actual.





# Weight Adjustable Espree™ complete table

Complete quick ship table model # breakdown:

2ESPWA\_\_-R4824-QS-T\_\_

|        |        |        |        |        |        |        |        |        |

a        b        c        d        e        f        g        h        i

a: number of legs  
 b: type of table base  
 c: finish of base  
 d: worksurface shape  
 e: worksurface width  
 f: worksurface depth  
 g: quick ship indicator  
 h: laminate material  
 i: laminate color

## 48.0" x 24.0" quick ship complete table

Weight Adjustable Espree 2-leg table base with a 48.0"w x 24.0"d rectangle TFL worksurface

MODEL # 2ESPWA\_\_-R4824-QS-T\_\_ **\$2,357**

## 60.0" x 30.0" quick ship complete table

Weight Adjustable Espree 2-leg table base with a 60.0"w x 30.0"d rectangle TFL worksurface

Model # 2ESPWA\_\_-R6030-QS-T\_\_ **\$2,538**

■ base finish notation    ■ laminate color notation

### Available base finishes

Silver -S

Black -B

White -W

### Available TFL quick ship laminates

Beigewood -BG

Phantom Charcoal -PC

Shadow Oak -SO

Designer White -DW

Grey -LG

Dove Grey -DV

## Weight Adjustable Espree table

Quick ship complete table options include: silver, black or white table base; 48.0"w x 24.0"d or 60.0"w x 30.0"d rectangle worksurfaces; all six TFL laminates. For all other combinations, please call our Customer Service Department for the estimated lead time and cost.

Multiple worksurface shapes and laminates are available. See pages 143-148 for worksurface details including laminate colors.

For all other complete table options reference the Complete table and Worksurface Guide at [esiergo.com](http://esiergo.com)



*Product shown: Weight Adjustable Espree, Designer White worksurfaces, Eppa, Centro, Railway, FlexCharge3*



*Product shown: Weight Adjustable Espree, Designer White worksurfaces, Casters, WOW01, FlexCharge4, Centro, Titan2-Edge, Birdi*

# Q Crank



## Q Crank

Crank height adjustable table base

**\$922**

MODEL # QCRANK-24S-\_\_\_

MODEL # QCRANK-24L-\_\_\_

MODEL # QCRANK-30S-\_\_\_

MODEL # QCRANK-30L-\_\_\_

### Environmentally friendly

With no power needed, it is both environmentally friendly and easy to retrofit any space with power limitations.

### Hand crank

Fold the hand crank under the worksurface when not in use.

## Features

Crank height adjustment

220lb. base lifting capacity

1.0" per two cranks adjustment speed

17.5" height adjustment range

24.8"–42.3" (low/high)  
*(excluding worksurface)*

Two stage adjustable legs

C-Leg

Adjustable width frame accommodates worksurfaces 36.0"–72.0"

Locking casters available

Warranty: 15 yr. *(structural)*/7 yr. *(mechanical)*

## Available base finishes

Silver -SLV

Black -BLK

## Caster kit

Set of four casters for table base

Increases height by 2.0"

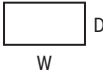
Locking casters for security

**\$70**

MODEL # CASTERKIT-QCRANK

Table bases

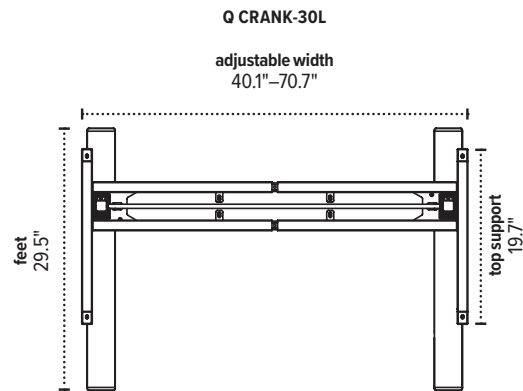
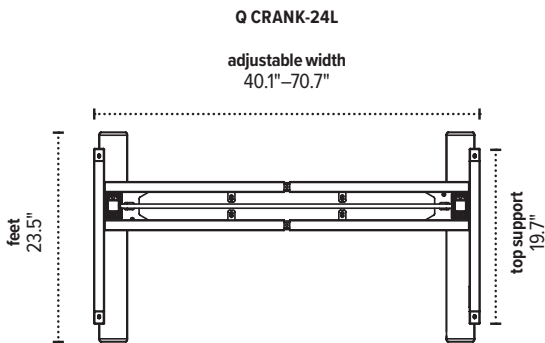
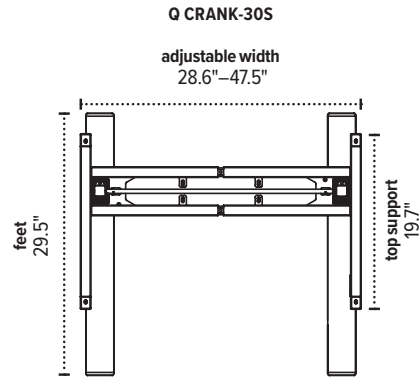
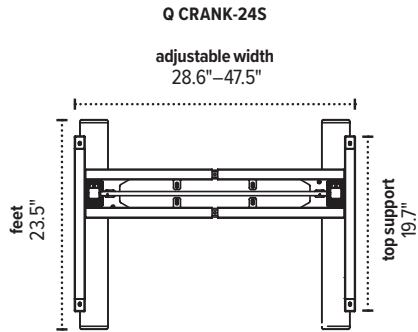
Available worksurfaces

Table base model	List price	Worksurface shape	Worksurface dimension	TFL standard		HPL standard	HPL premium
				Quick ship	Standard ship	Standard ship	Standard ship
QCRANK-24S-___	\$922		36"w x 24"d	-	●	●	●
			42"w x 24"d	-	●	●	●
			48"w x 24"d	●	●	●	●
QCRANK-24L-___	\$922	 W Rectangle	60"w x 24"d	-	●	●	●
			72"w x 24"d	-	●	●	●
QCRANK-30S-___	\$922		36"w x 30"d	-	●	●	●
			42"w x 30"d	-	●	●	●
			48"w x 30"d	-	●	●	●
QCRANK-30L-___	\$922		60"w x 30"d	●	●	●	●
			72"w x 30"d	-	●	●	●

Worksurface program

Multiple worksurface shapes and laminates are available. See pages 143-148 for worksurface details including pricing and laminate colors. TFL quick ship worksurfaces are shipped out in 48 hours, TFL standard and HPL standard/premium worksurfaces ship within three weeks. Lead time may vary depending on quantities ordered and their availability.

Table bases and worksurfaces can be purchased independently or as a combination. ESI worksurfaces are made to exact dimensions. If nominal sizing is needed, please specify when ordering.



The base dimensions as shown are actual.

# Q Crank complete table

## Complete quick ship table model # breakdown:

2QC\_\_R4824-QS-T\_\_  
| | | | | | | | | |  
a b c d e f g h i

- a: number of legs
- b: type of table base
- c: finish of base
- d: worksurface shape
- e: worksurface width
- f: worksurface depth
- g: quick ship indicator
- h: laminate material
- i: laminate color

### 48.0" x 24.0" quick ship complete table

Q Crank 2-leg table base with a  
48.0"w x 24.0"d rectangle TFL worksurface

MODEL # 2QC\_\_R4824-QS-T\_\_ \$2,104

### 60.0" x 30.0" quick ship complete table

Q Crank 2-leg table base with a  
60.0"w x 30.0"d rectangle TFL worksurface

MODEL # 2QC\_\_R6030-QS-T\_\_ \$2,243

■ base finish notation   ■ laminate color notation

### Available base finishes

○ Silver -S

● Black -B

### Available TFL quick ship laminates

○ Beigewood -BG

● Phantom Charcoal -PC

● Shadow Oak -SO

○ Designer White -DW

○ Grey -GR

○ Dove Grey -DV

## Q Crank table

Quick ship complete table options include: silver and black table base; 48.0"w x 24.0"d or 60.0"w x 30.0"d rectangle worksurfaces; all six TFL laminates. For all other combinations, please call our Customer Service Department for the estimated lead time and cost.

Multiple worksurface shapes and laminates are available. See pages 143-148 for worksurface details including laminate colors.

For all other complete table options reference the Complete table and Worksurface Guide at [esiergo.com](http://esiergo.com)



# Manual table bases

## Weight Adjustable Espree™

Pneumatic height adjustable table base



**\$2,107** Model # 2ESP-WA-C48-\_\_\_

**\$2,188** Model # 2ESP-WA-C60-\_\_\_

MODEL # 2ESP-WA-C48-\_\_\_

MODEL # 2ESP-WA-C60-\_\_\_

- Silver -SLV
- Black -BLK
- White -WHT

## Q Crank

Crank height adjustable table base



**\$922**

MODEL # QCRANK-24S-\_\_\_

MODEL # QCRANK-24L-\_\_\_

MODEL # QCRANK-30S-\_\_\_

MODEL # QCRANK-30L-\_\_\_

- Silver -SLV
- Black -BLK

Pneumatic height adjustment

44–143 lb. base lifting capacity  
*(model 2ESP-WA-C48)*

52–163 lb. base lifting capacity  
*(model 2ESP-WA-C60)*

–

19.5" height adjustment range  
26.3"–45.8" (low/high)  
*(excluding worksurface)*

Three stage adjustable legs

C-Leg

Foot is adjustable to 22.0" or 28.0" *(patented design)*

Fixed width frame

Weight adjustable with adjustment gauge

Locking casters available

Warranty: 15 yr. *(structural)*/7 yr. *(mechanical)*



Reference pages 144-146 for worksurfaces price lists

Crank height adjustment

220 lb. base lifting capacity

1.0" per two cranks adjustment speed

17.5" height adjustment range  
24.8"–42.3" (low/high)  
*(excluding worksurface)*

Two stage adjustable legs

C-Leg

–

Adjustable width frame accommodates worksurfaces 36.0"–72.0"

–

Locking casters available

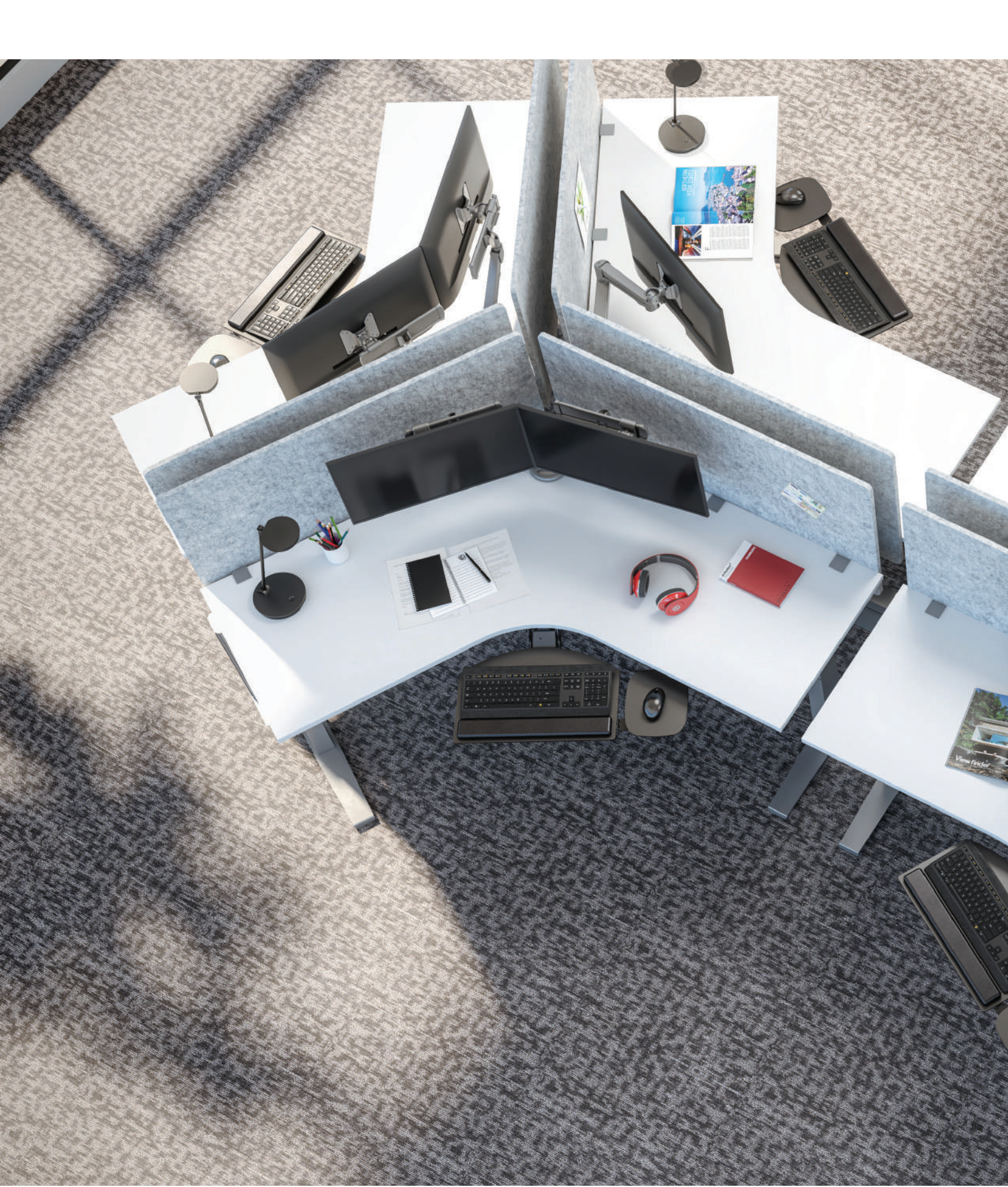
Warranty: 15 yr. *(structural)*/7 yr. *(mechanical)*

–

Reference pages 144-146 for worksurfaces price lists

Visit our website for additional specs, dimensional drawings, alternative images and more resources for all of ESI's products.











# Worksurfaces overview

## How to order:

Worksurfaces have multiple model numbers based on worksurface dimensions.

ESI offers Thermally Fused Laminate (TFL) in 6 colors for both quick ship and standard worksurfaces. Additionally we offer High Pressure Laminate (HPL) in 14 standard colors and 6 premium colors. See page 147-148 for more details on laminates.

Use the worksurface two letter color code to complete your model number.

## Worksurface part number breakdown:

**2R4824-TFL-DW**

a | b | c | d | e

- a: worksurface shape
- b: worksurface width
- c: worksurface depth
- d: laminate material
- e: laminate color

*This product number represents:*

*Rectangle shape  
48.0" wide and 24.0" deep  
TFL standard  
Designer White laminate*

## General information:

### Worksurfaces

Worksurfaces can be sold separately or in combination with a table base.

Warranty: 5 yr.

### Sizing

ESI worksurfaces are made to exact dimensions. If nominal sizing is needed, please specify when ordering. TFL worksurfaces are 1.0" thick. HPL worksurfaces are 1.125" thick.

### Lead times

For standard colors and sizes the leads times are as follows. Lead time may vary depending on quantities ordered and their availability. For custom sizes and laminates please see below:

TFL quick ship: 48 hours  
TFL standard: Within 3 weeks  
HPL standard: Within 3 weeks  
HPL premium: Within 3 weeks

### Custom options

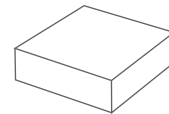
For more information on alternative worksurface shapes, thicknesses, edge detail, laminate options, and pre-drilling, contact our Customer Service Department. Extended lead times and upcharges will apply on all custom requests. Orders with custom laminates or custom edge detailing will both require a standard solid edge banding.

### Worksurface pre-drilled holes

For your convenience, all quick ship worksurfaces will be pre-drilled to accommodate the VictoryLX 2-leg, the TriumphLX, and the Enmo table bases. Pre-drilling for any other height adjustable table base series will require extended lead time at no additional cost.

### Edge detail

Worksurfaces ship with standard square edge profile and coordinating 3mm edge band with a 3mm top radius. Alternative edge detail options are available at additional cost.



Square edge

### Laminate materials

Worksurfaces are available in select Wilsonart® laminate options. ESI worksurfaces are either Thermally Fused Laminates, High Pressure Laminates or Premium High Pressure Laminates. Please indicate laminate color choice by adding the 2-letter code at the end of the worksurface model number.

### Thermally fused laminates (TFL) - quick ship and standard

Worksurfaces consist of a single printed decor paper fused directly by heat and pressure to the core material of MDF or particle board.

TFL benefits: cost efficient, consistent and uniform, water resistant, scratch resistant.

### High pressure laminates (HPL) - standard and premium

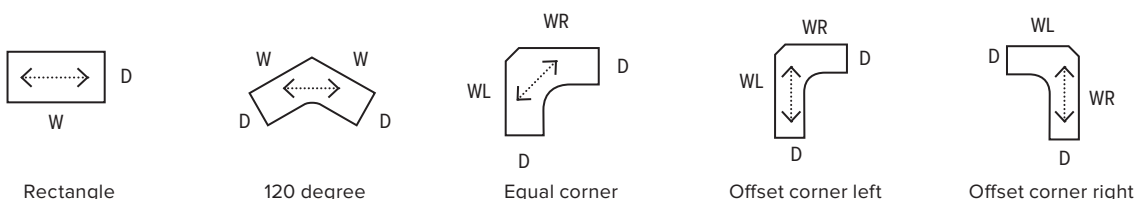
Worksurfaces consist of a melamine treated printed decor paper fused to multiple sheets of kraft paper. Heat and pressure bond all the sheets together creating a flexible and durable piece of plastic type material which is then adhered to MDF or particle board.

Standard HPL benefits: durable, versatile, stylish, heat resistant, water resistant, scratch resistant, impact resistant, hygienic qualities.

Premium HPL benefits: Same as standard HPL, plus enhanced performance to durability and scratch resistance.

## Woodgrain pattern direction:

Please see the diagrams for the direction of the woodgrain pattern on each worksurface shape.



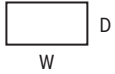
All register marks are property of their respective owners.

# TFL quick ship worksurfaces

TFL quick ship worksurfaces ship within 48 hours and are available in six colors. Please see page 147 for the laminate options that are available.

## Worksurface pricing:

### Rectangle



Surface model	List price	Dimensions
2R4824-QS-TFL-__	\$250	48" w x 24"d
2R6030-QS-TFL-__	\$350	60" w x 30"d

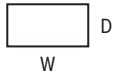
# TFL standard worksurfaces

TFL standard worksurfaces ship within three weeks and are available in six colors. Please see page 147 for the laminate options that are available.



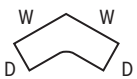
## Worksurface pricing:

### Rectangle



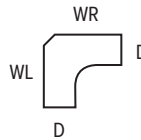
Surface model	List price	Dimensions
2R3624-TFL-__	\$195	36" w x 24" d
2R4224-TFL-__	\$220	42" w x 24" d
2R4824-TFL-__	\$250	48" w x 24" d
2R6024-TFL-__	\$300	60" w x 24" d
2R7224-TFL-__	\$375	72" w x 24" d
2R3630-TFL-__	\$210	36" w x 30" d
2R4230-TFL-__	\$230	42" w x 30" d
2R4830-TFL-__	\$275	48" w x 30" d
2R6030-TFL-__	\$350	60" w x 30" d
2R7230-TFL-__	\$400	72" w x 30" d

### 120 degree



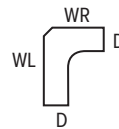
Surface model	List price	Dimensions
120-4824-TFL-__	\$815	48" w x 24" d

### Equal corner



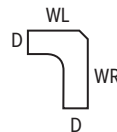
Surface model	List price	Dimensions
3EC606024-TFL-__	\$980	60" wl x 60" wr x 24" d
3EC727224-TFL-__	\$1,411	72" wl x 72" wr x 24" d
3EC606030-TFL-__	\$1,000	60" wl x 60" wr x 30" d
3EC727230-TFL-__	\$1,421	72" wl x 72" wr x 30" d

### Offset corner left



Surface model	List price	Dimensions
3OCL604824-TFL-__	\$875	60" wl x 48" wr x 24" d
3OCL724824-TFL-__	\$955	72" wl x 48" wr x 24" d
3OCL726024-TFL-__	\$1,090	72" wl x 60" wr x 24" d
3OCL844824-TFL-__	\$1,125	84" wl x 48" wr x 24" d
3OCL604830-TFL-__	\$890	60" wl x 48" wr x 30" d
3OCL724830-TFL-__	\$965	72" wl x 48" wr x 30" d
3OCL726030-TFL-__	\$1,110	72" wl x 60" wr x 30" d
3OCL844830-TFL-__	\$1,145	84" wl x 48" wr x 30" d

### Offset corner right



Surface model	List price	Dimensions
3OCR486024-TFL-__	\$875	48" wl x 60" wr x 24" d
3OCR487224-TFL-__	\$955	48" wl x 72" wr x 24" d
3OCR607224-TFL-__	\$1,090	60" wl x 72" wr x 24" d
3OCR488424-TFL-__	\$1,125	48" wl x 84" wr x 24" d
3OCR486030-TFL-__	\$890	48" wl x 60" wr x 30" d
3OCR487230-TFL-__	\$965	48" wl x 72" wr x 30" d
3OCR607230-TFL-__	\$1,110	60" wl x 72" wr x 30" d
3OCR488430-TFL-__	\$1,145	48" wl x 84" wr x 30" d

Table bases and worksurfaces can be purchased independently or as a combination. ESI worksurfaces are made to exact dimensions. If nominal sizing is needed, please specify when ordering.



# HPL standard worksurfaces

HPL standard worksurfaces ship within three weeks and are available in 14 colors. Please see page 148 for the laminate options that are available.



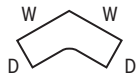
## Worksurface pricing:

### Rectangle



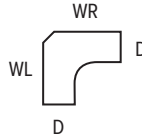
Surface model	List price	Dimensions
2R3624-HPL-__	\$273	36"w x 24"d
2R4224-HPL-__	\$315	42"w x 24"d
2R4824-HPL-__	\$350	48"w x 24"d
2R6024-HPL-__	\$420	60"w x 24"d
2R7224-HPL-__	\$460	72"w x 24"d
2R3630-HPL-__	\$300	36"w x 30"d
2R4230-HPL-__	\$330	42"w x 30"d
2R4830-HPL-__	\$380	48"w x 30"d
2R6030-HPL-__	\$440	60"w x 30"d
2R7230-HPL-__	\$480	72"w x 30"d

### 120 degree



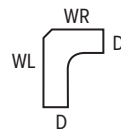
Surface model	List price	Dimensions
120-4824-HPL-__	\$1,141	48"w x 24"d
120-6024-HPL-__	\$1,605	60"w x 24"d
120-7224-HPL-__	\$1,800	72"w x 24"d
120-4830-HPL-__	\$1,295	48"w x 30"d
120-6030-HPL-__	\$1,625	60"w x 30"d
120-7230-HPL-__	\$1,825	72"w x 30"d

### Equal corner



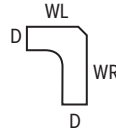
Surface model	List price	Dimensions
3EC606024-HPL-__	\$1,078	60"wl x 60"wr x 24"d
3EC606030-HPL-__	\$1,100	60"wl x 60"wr x 30"d
3EC727224-HPL-__	\$1,800	72"wl x 72"wr x 24"d
3EC727230-HPL-__	\$2,150	72"wl x 72"wr x 30"d

### Offset corner left



Surface model	List price	Dimensions
3OCL604824-HPL-__	\$963	60"wl x 48"wr x 24"d
3OCL724824-HPL-__	\$1,051	72"wl x 48"wr x 24"d
3OCL844824-HPL-__	\$1,300	84"wl x 48"wr x 24"d
3OCL726024-HPL-__	\$1,199	72"wl x 60"wr x 24"d
3OCL846024-HPL-__	\$1,400	84"wl x 60"wr x 24"d
3OCL604830-HPL-__	\$979	60"wl x 48"wr x 30"d
3OCL724830-HPL-__	\$1,062	72"wl x 48"wr x 30"d
3OCL844830-HPL-__	\$1,320	84"wl x 48"wr x 30"d
3OCL726030-HPL-__	\$1,250	72"wl x 60"wr x 30"d
3OCL846030-HPL-__	\$1,420	84"wl x 60"wr x 30"d

### Offset corner right



Surface model	List price	Dimensions
3OCR486024-HPL-__	\$963	48"wl x 60"wr x 24"d
3OCR487224-HPL-__	\$1,051	48"wl x 72"wr x 24"d
3OCR488424-HPL-__	\$1,300	48"wl x 84"wr x 24"d
3OCR607224-HPL-__	\$1,199	60"wl x 72"wr x 24"d
3OCR608424-HPL-__	\$1,400	60"wl x 84"wr x 24"d
3OCR486030-HPL-__	\$979	48"wl x 60"wr x 30"d
3OCR487230-HPL-__	\$1,062	48"wl x 72"wr x 30"d
3OCR488430-HPL-__	\$1,320	48"wl x 84"wr x 30"d
3OCR607230-HPL-__	\$1,250	60"wl x 72"wr x 30"d
3OCR608430-HPL-__	\$1,420	60"wl x 84"wr x 30"d

Table bases and worksurfaces can be purchased independently or as a combination.

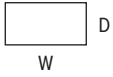
ESI worksurfaces are made to exact dimensions. If nominal sizing is needed, please specify when ordering.

# HPL premium worksurfaces

HPL premium worksurfaces ship within three weeks and are available in six colors. Please see page 148 for the laminate options that are available.

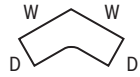
## Worksurface pricing:

### Rectangle



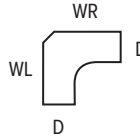
Surface model	List price	Dimensions
2R3624-PHPL-__	\$298	36"w x 24"d
2R4224-PHPL-__	\$343	42"w x 24"d
2R4824-PHPL-__	\$382	48"w x 24"d
2R6024-PHPL-__	\$458	60"w x 24"d
2R7224-PHPL-__	\$501	72"w x 24"d
2R3630-PHPL-__	\$327	36"w x 30"d
2R4230-PHPL-__	\$360	42"w x 30"d
2R4830-PHPL-__	\$414	48"w x 30"d
2R6030-PHPL-__	\$480	60"w x 30"d
2R7230-PHPL-__	\$523	72"w x 30"d

### 120 degree



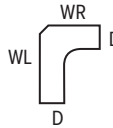
Surface model	List price	Dimensions
120-4824-PHPL-__	\$1,244	48"w x 24"d
120-6024-PHPL-__	\$1,749	60"w x 24"d
120-7224-PHPL-__	\$1,962	72"w x 24"d
120-4830-PHPL-__	\$1,412	48"w x 30"d
120-6030-PHPL-__	\$1,771	60"w x 30"d
120-7230-PHPL-__	\$1,989	72"w x 30"d

### Equal corner



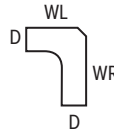
Surface model	List price	Dimensions
3EC606024-PHPL-__	\$1,175	60"wl x 60"wr x 24"d
3EC606030-PHPL-__	\$1,199	60"wl x 60"wr x 30"d
3EC727224-PHPL-__	\$1,962	72"wl x 72"wr x 24"d
3EC727230-PHPL-__	\$2,344	72"wl x 72"wr x 30"d

### Offset corner left



Surface model	List price	Dimensions
3OCL604824-PHPL-__	\$1,050	60"wl x 48"wr x 24"d
3OCL724824-PHPL-__	\$1,146	72"wl x 48"wr x 24"d
3OCL844824-PHPL-__	\$1,417	84"wl x 48"wr x 24"d
3OCL726024-PHPL-__	\$1,307	72"wl x 60"wr x 24"d
3OCL846024-PHPL-__	\$1,526	84"wl x 60"wr x 24"d
3OCL604830-PHPL-__	\$1,067	60"wl x 48"wr x 30"d
3OCL724830-PHPL-__	\$1,158	72"wl x 48"wr x 30"d
3OCL844830-PHPL-__	\$1,439	84"wl x 48"wr x 30"d
3OCL726030-PHPL-__	\$1,363	72"wl x 60"wr x 30"d
3OCL846030-PHPL-__	\$1,548	84"wl x 60"wr x 30"d

### Offset corner right



Surface model	List price	Dimensions
3OCR486024-PHPL-__	\$1,050	48"wl x 60"wr x 24"d
3OCR487224-PHPL-__	\$1,146	48"wl x 72"wr x 24"d
3OCR488424-PHPL-__	\$1,417	48"wl x 84"wr x 24"d
3OCR607224-PHPL-__	\$1,307	60"wl x 72"wr x 24"d
3OCR608424-PHPL-__	\$1,526	60"wl x 84"wr x 24"d
3OCR486030-PHPL-__	\$1,067	48"wl x 60"wr x 30"d
3OCR487230-PHPL-__	\$1,158	48"wl x 72"wr x 30"d
3OCR488430-PHPL-__	\$1,439	48"wl x 84"wr x 30"d
3OCR607230-PHPL-__	\$1,363	60"wl x 72"wr x 30"d
3OCR608430-PHPL-__	\$1,548	60"wl x 84"wr x 30"d

Table bases and worksurfaces can be purchased independently or as a combination.

ESI worksurfaces are made to exact dimensions. If nominal sizing is needed, please specify when ordering.

# Laminates

**TFL options:** Available for TFL standard worksurfaces and for 48 hour quick ship

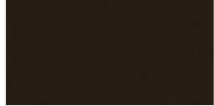
## Patterns



Color code: **BG**  
Color name: Beigewood  
Finish: Matte  
Manufacturer: Wilsonart  
Wilsonart Part #: 7850-60

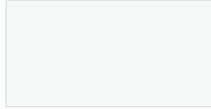


Color code: **PC**  
Color name: Phantom Charcoal  
Finish: Matte  
Manufacturer: Wilsonart  
Wilsonart Part #: 8214K-28

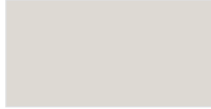


Color code: **SO**  
Color name: Shadow Oak  
Finish: Matte  
Manufacturer: Uniboard  
Uniboard Part #: 762

## Solids



Color code: **DW**  
Color name: Designer White  
Finish: Matte  
Manufacturer: Wilsonart  
Wilsonart Part #: D354-60



Color code: **GR**  
Color name: Grey  
Finish: Matte  
Manufacturer: Wilsonart  
Wilsonart Part #: 1500-60



Color code: **DV**  
Color name: Dove Grey  
Finish: Matte  
Manufacturer: Wilsonart  
Wilsonart Part #: D92

**HPL standard options:** Available for HPL standard worksurfaces

**Patterns**



**Color code: MM**  
 Color name: Manitoba Maple  
 Finish: Matte  
 Manufacturer: Wilsonart  
 Wilsonart Part #: 7911-60



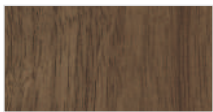
**Color code: BG**  
 Color name: Beigewood  
 Finish: Matte  
 Manufacturer: Wilsonart  
 Wilsonart Part #: 7850-60



**Color code: HC**  
 Color name: Hibiscus Cherry  
 Finish: Fine velvet  
 Manufacturer: Wilsonart  
 Wilsonart Part #: 7946-38

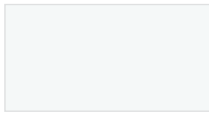


**Color code: BZ**  
 Color name: Brazilwood  
 Finish: Fine velvet  
 Manufacturer: Wilsonart  
 Wilsonart Part #: 7988-38



**Color code: PW**  
 Color name: Pinnacle Walnut  
 Finish: Fine velvet  
 Manufacturer: Wilsonart  
 Wilsonart Part #: 7992-38

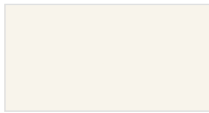
**Solids**



**Color code: DW**  
 Color name: Designer White  
 Finish: Matte  
 Manufacturer: Wilsonart  
 Wilsonart Part #: D354-60



**Color code: LN**  
 Color name: Linen  
 Finish: Matte  
 Manufacturer: Wilsonart  
 Wilsonart Part #: D427-60



**Color code: AQ**  
 Color name: Antique White  
 Finish: Matte  
 Manufacturer: Wilsonart  
 Wilsonart Part #: 1572-60



**Color code: GR**  
 Color name: Grey  
 Finish: Matte  
 Manufacturer: Wilsonart  
 Wilsonart Part #: 1500-60



**Color code: PL**  
 Color name: Platinum  
 Finish: Matte  
 Manufacturer: Wilsonart  
 Wilsonart Part #: D315-60



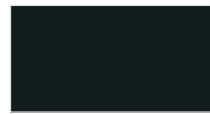
**Color code: KB**  
 Color name: Khaki Brown  
 Finish: Matte  
 Manufacturer: Wilsonart  
 Wilsonart Part #: D50-60



**Color code: SH**  
 Color name: Shadow  
 Finish: Matte  
 Manufacturer: Wilsonart  
 Wilsonart Part #: D96-60



**Color code: SL**  
 Color name: Slate Gray  
 Finish: Matte  
 Manufacturer: Wilsonart  
 Wilsonart Part #: D91-60



**Color code: BK**  
 Color name: Black  
 Finish: Matte  
 Manufacturer: Wilsonart  
 Wilsonart Part #: 1595-60

**HPL premium options:** Available for HPL premium worksurfaces

**Patterns**



**Color code: PP**  
 Color name: Phantom Pearl  
 Finish: Gloss line finish with Aeon  
 Manufacturer: Wilsonart  
 Wilsonart Part #: 8211K-28



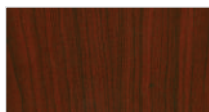
**Color code: WH**  
 Color name: Walnut Heights  
 Finish: Soft grain finish with Aeon  
 Manufacturer: Wilsonart  
 Wilsonart Part #: 7965K-12



**Color code: PC**  
 Color name: Phantom Charcoal  
 Finish: Gloss line finish with Aeon  
 Manufacturer: Wilsonart  
 Wilsonart Part #: 8214K-28



**Color code: PE**  
 Color name: Phantom Ecrú  
 Finish: Gloss line finish with Aeon  
 Manufacturer: Wilsonart  
 Wilsonart Part #: 8212K-28



**Color code: EM**  
 Color name: Empire Mahogany  
 Finish: Fine velvet  
 Manufacturer: Wilsonart  
 Wilsonart Part #: 7122T-38



**Color code: AN**  
 Color name: Asian Night  
 Finish: Linearity Finish with Aeon  
 Manufacturer: Wilsonart  
 Wilsonart Part #: 7949K-18



*Product shown: Tech Dock,  
FlexCharge3, Edge2-MS, Conceal,  
Designer White worksurface*



*Product shown: CPU-05, All-Flex  
3-leg, FlexCharge4, Lustre,  
Designer White worksurface*



# Tech Dock



## Tech Dock

Sliding tech tray

**\$144**

MODEL # TDOCK-SLV

### Stow and go

Gain back up to 25% of your desktop space with this laptop storage solution that easily accommodates a single laptop or a laptop/docking station combo.

### Glide and swivel

Can swivel 360° under the worksurface for increased accessibility, with or without the glide track attached.

## Features

15.0" laptop tray width

12.0"–16.0" adjustable depth

16.8" glide track worksurface undermount  
*(fixed mounting option without glide track)*

4.2" or 4.9" adjustable height below  
worksurfaces

360° swivel

20 lb. weight capacity

Rubber coated grip

Convenient cable access

Warranty: 15 yr.



# CPU holders



**CPU05**  
Heavy duty CPU holder  
**\$233**  
MODEL # CPU05

- Features**
- 100 lb. load capacity
  - 360° swivel
  - 17.8" glide track
  - 2.5"–8.3" adjustable width
  - 13.0"–21.0" adjustable height
  - Warranty: 15 yr.



**CPU Mini**  
Small profile CPU holder  
**\$201**  
MODEL # CPUMINI-SLV

- Features**
- 55 lb. load capacity
  - 360° swivel
  - 13.4" ball bearing glide track
  - 16.0"–22.0" adjustable height
  - Fits CPUs up to 20.0" in height
  - Warranty: 15 yr.





### **CPU01**

Simple CPU holder

**\$180**

MODEL # CPU01-BLK

#### **Features**

125 lb. load capacity

360° swivel

17.8" glide track

12.5" min. CPU depth

8.0" min. CPU width

24.0" min. CPU height

60.0" adjustable straps

Nylon security bands

Warranty: 15 yr.



### **CPU Cart**

Mobile CPU cart

**\$161**

MODEL # CPUCART-1-BLK

#### **Features**

160 lb. load capacity

Fits CPUs ranging from 3.8"–9.0" wide

CPU sits in adjustable tray

Four swivel caster wheels (2 locking)

Easy to assemble; no tools required to make adjustments

Warranty: 15 yr.



# Table accessories

## Deluxe Trough Kit

Cable management undermount tray



**\$40**

MODEL # TROUGH-DLX-KIT-BLK

Elegant, sleek design  
Mounts to most flat surfaces  
18.0" troughs - set of two  
Mounts using heavy duty double sided tape  
and/or provided screws  
Image above shows the set of two pieces  
Warranty: 15 yr.

## Trough

Cable management undermount tray



**\$29**

MODEL # TROUGH-BLK

Mounts to most flat surfaces  
18.0" troughs - set of two  
Mounts using heavy duty double sided tape  
and/or provided screws  
The image above shows one piece of the set  
Warranty: 15 yr.



## Conceal

Cable management spine



**\$68**

MODEL # CONCEAL-GRY  
MODEL # CONCEAL-BLK  
MODEL # CONCEAL-WHT

53.5" total height  
23 links  
Links are detachable  
Weighted bottom  
Attaches to bottom of worksurface  
Warranty: 15 yr.



## Utility Cart

Rolling platform cart



**\$223**

MODEL # ACPC-1-BLK

18.8"w x 15.0"d platform  
150 lb. load capacity  
For printers, shredders, and other  
office machines  
Includes non-slip pads  
Swivel caster wheels (2 locking)  
Warranty: 15 yr.



## Corner Diagonal

For corners 17.0"–19.0" wide



**\$177**

MODEL # ACCD90-17-BLK

**\$196**

MODEL # ACCD90-21-BLK

Converts 90° corners to diagonal  
corners for additional work area  
Includes spacers and furniture  
protectors  
Accommodates surfaces up to  
1.4" thick  
Warranty: 15 yr.



## Pencil Drawer

Sliding pencil drawer



**\$122**

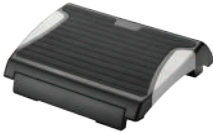
MODEL # ACPD01-BLK

Inside drawer dimensions:  
20.5"w x 16.3"d x 2.0"h  
Opening requirements:  
23.0"w x 16.3"d x 2.0"h  
Retracts on 16.0" ball bearing  
slides  
Warranty: 1 yr.



## Footrest

Adjustable foot support



**\$134**

MODEL # FR301-BLK

Ideal for users who cannot rest their feet comfortably on the floor  
 15.8"w x 13.8"d x 2.8"h  
 Anti-slip rubber mat on top platform  
 6°/12°/16°/25° angle adjustments  
 Folds flat for easy height adjustment and storage  
 Warranty: 15 yr.

## Desk Risers

Table base accessory



**\$79**

MODEL # DESK1

Set of four stackable high-impact plastic risers  
 4.0"w x 4.0"d  
 Raises worksurface height in 1.0" increments  
 600lb. load capacity (*distributed weight*)  
 Stackable to a maximum of three risers per leg  
 Warranty: 15 yr.



## Casters

For height adjustable bases



Fits table base	Model #	List price	GSA
All-Flex 2-leg	CASTERKIT-FLEX2	\$70	
All-Flex 3-leg	CASTERKIT-FLEX3	\$88	
TriumphLX/ VictoryLX 2-leg	CASTERKIT-LX-2LEG	\$53	—
VictoryLX 3-leg	CASTERKIT-LX-3LEG-BLK	\$103	—
	CASTERKIT-LX-3LEG-SLV	\$103	—
	CASTERKIT-LX-3LEG-WHT	\$103	—
Enmo	CASTERKIT-2NM	\$53	—
Weight Adjustable Espree	CASTERKIT-2ESP-WA	\$70	
Q Crank	CASTERKIT-QCRANK	\$70	—

Sets of castor wheels for table bases  
 Increases height by 2.0"  
 Locking casters for security  
 VictoryLX 3-leg kits include a third foot for caster installation  
 Warranty: 15 yr.



Privacy/modesty screens

Be your best.  
Without them  
seeing you.

Now you can maintain privacy and maximize efficiency with smart and stylish privacy/modesty solutions. Adaptable to a variety of workstation designs and configurations, these screens offer you the ability to be your best without sacrificing privacy.



*Product shown: Centro, Edge, All-Flex 3-leg, Designer White worksurfaces, FlexCharge4, Railway*

# Centro™



## Centro

Privacy/modesty screen

**\$399**

MODEL # CENTRO-22- \_ \_ \_ \_

**\$431**

MODEL # CENTRO-28- \_ \_ \_ \_

**\$462**

MODEL # CENTRO-34- \_ \_ \_ \_

**\$562**

MODEL # CENTRO-46- \_ \_ \_ \_

**\$604**

MODEL # CENTRO-58- \_ \_ \_ \_

**\$751**

MODEL # CENTRO-70- \_ \_ \_ \_

### Reversible design for privacy or modesty

Universal mounting system allows brackets to be set for privacy or modesty applications.

### Eco-friendly

Centro screens are 100% recyclable and have been made from 60% post-consumer recycled plastic water bottles.

### Custom options are available

Contact our Customer Service Department for a customized Centro quote. Minimum quantity of four required. Additional costs and lead time may apply.

## Features

Available lengths: 22.0", 28.0", 34.0", 46.0", 58.0", and 70.0"

*(Screens are actual size, sizes are designed to accommodate nominal worksurfaces)*

25.0" height

Privacy application - 18.0" above/6.0" below  
Modesty application - 6.0" above/18.0" below

0.8" thickness

22.0", 28.0", 34.0" and 46.0" screens come with two worksurface mounting brackets, 58.0" and 70.0" screens come with three brackets

Mounting brackets designed to accommodate 0.5"–1.8" thick worksurfaces

Lightweight screens

Sound level absorption up to .9 NRC rating

Convenient tackable surface

22.0" and 28.0" lengths are recommended for side applications. Larger sizes are recommended for the rear applications

VOC-Free

Warranty: 7 yr.

## Available material colors



Charcoal -COL  
46"/58" ships in 48 hrs.  
22"/28"/34"/70" **LT**



Ash -ASH  
46"/58" ships in 48 hrs.  
22"/28"/34"/70" **LT**



Slate -SLT  
All sizes **LT**



Sandstone -SND  
All sizes **LT**



Pear Green -GRN  
All sizes **LT**



Cobalt Blue -BLU  
All sizes **LT**



Iced Grey -ICE  
All sizes **LT**



Desktop sit-to-stand workstations

# Move. And be moved.

Sit. Stand. Empower your day. Our sit-to-stand workstations move with you, and easily adjust to comfortably fit your needs throughout your workday. They support monitors or laptops and feature built-in keyboard platforms. Best yet, existing fixed-height workstations can be easily retrofitted to offer adjustable height options, offering the utmost in flexibility.



Product shown: S2S, Edge2

# S2S



S2S - raised



S2S - lowered

## S2S

Desktop sit-to-stand workstation

**\$714**

MODEL # S2S-BLK

### Vertical motion

Straight vertical travel increases stability of work gear and technology.

### Precision positioning

Moves all of the workstation essentials in one fluid motion, stopping at any point along the way.

### Weight adjustment

Weight adjustable counterbalance pneumatic lift capability; built-in tension adjustment makes even heavy loads easy to lift. Tension is pre-set to lift 22 pounds.

### Features

Pneumatic height adjustment

Weight adjustable counterbalance pneumatic lift capability; built-in tension adjustment

Sits atop worksurface

16.7" height adjustment range

Precision positioning

35 lb. platform weight capacity

35.5" w x 21.0" d top platform

26.8" w x 10.5" d keyboard platform

24.0" min. worksurface depth

40.3 lb. unit weight

Cable management

Arrives fully assembled

Includes an adjustment ratchet

Compatible with Eppa™, Edge® and Evolve single and dual monitor arms  
*(monitor arms sold separately)*

Warranty: 5 yr.



# Climb



Climb - raised



Climb - lowered

## Climb

Single monitor arm desktop sit-to-stand workstation

**\$869**

MODEL # CLIMB1-SLV

### Flexible positioning

Utilize your complete worksurface area by rotating the workstation side-to-side with the articulating arm. Monitor can be rotated for view in landscape or portrait orientation.

### Palm rest

Includes palm rest, adaptable for left or right-handed users on the keyboard platform.

### Rotation

The Climb platform is able to rotate 360° for added flexibility.

## Features

Pneumatic height adjustment

Clamp mount to worksurface  
*(6.0" clearance needed underneath worksurface)*

14.5" pole height adjustment range

16.2" motion arm height range

Precision positioning

25 lb. platform weight capacity

27.0"w x 10.3"d top platform

27.0"w x 10.6"d keyboard platform

30.0" max. worksurface depth

Cable management

Partial assembly required

Single monitor arm integration:  
10.4" monitor mount height range  
20 lb. max. monitor weight

Warranty: 3 yr.

## Grommet mount

Grommet mount for Climb/Climb2

**\$40**

MODEL # CLIMB-GM



# Climb2



Climb2 - raised



Climb2 - lowered

## Climb2

Dual monitor arm desktop sit-to-stand workstation

**\$1,038**

MODEL # CLIMB2-SLV

### Flexible positioning

Utilize your complete worksurface area by rotating the workstation side-to-side with the articulating arm. Monitor can be rotated for view in landscape or portrait orientation.

### Palm rest

Includes palm rest, adaptable for left or right-handed users on the keyboard platform.

### Rotation

The Climb platform is able to rotate 360° for added flexibility.

## Features

Pneumatic height adjustment

Clamp mount to worksurface  
*(6.0" clearance needed underneath worksurface)*

14.5" pole height adjustment range

16.2" motion arm height range

Precision positioning

25 lb. platform weight capacity

27.0" w x 10.3" d top platform

27.0" w x 10.6" d keyboard platform

30.0" max. worksurface depth

Cable management

Partial assembly required

Dual monitor arm integration:

10.4" monitor mount height range

20 lb. max. monitor weight  
*(combined weight of both monitors)*

21.8" max. monitor width

*Bezel measured left to right.  
Max. width is contingent on weight capacity.*

Warranty: 3 yr.

## Grommet mount

Grommet mount for Climb/Climb2

**\$40**

MODEL # CLIMB-GM

# Desktop sit-to-stand workstations

## S2S

Desktop sit-to-stand workstation



**\$714**

MODEL # S2S-BLK

● Black -BLK

## Climb

Single monitor arm desktop sit-to-stand workstation



**\$869**

MODEL # CLIMB1-SLV

● Silver -SLV

## Climb2

Dual monitor arm desktop sit-to-stand workstation



**\$1,038**

MODEL # CLIMB2-SLV

● Silver -SLV

Pneumatic height adjustment	Pneumatic height adjustment	Pneumatic height adjustment
Weight adjustable counterbalance pneumatic lift capability; built-in tension adjustment	–	–
Sits atop worksurface	Clamp mount to worksurface; Grommet mount sold separately - MODEL # CLIMB-GM <b>\$40</b>	Clamp mount to worksurface Grommet mount sold separately - MODEL # CLIMB-GM <b>\$40</b>
16.7" height adjustment range	14.5" column height adjustment range	14.5" column height adjustment range
–	16.2" motion arm height range	16.2" motion arm height range
Precision positioning	Precision positioning	Precision positioning
35 lb. platform weight capacity	25 lb. platform weight capacity	25 lb. platform weight capacity
35.5"w x 21.0"d top platform	27.0"w x 10.3"d top platform	27.0"w x 10.3"d top platform
26.8"w x 10.5"d keyboard platform	27.0"w x 10.6"d keyboard platform	27.0"w x 10.6"d keyboard platform
24.0" min. worksurface depth	30.0" max. worksurface depth	30.0" max. worksurface depth
40.3lb. unit weight	–	–
Arrives fully assembled	Partial assembly required	Partial assembly required
Compatible with Eppa™, Edge® and Evolve single and dual monitor arms <i>(monitor arms sold separately)</i>	Single monitor arm integration: 10.4" monitor mount height range 20 lb. max. monitor weight	Dual monitor arm integration: 20lb. max. monitor weight <i>(combined weight of both monitors)</i> 21.8" max. monitor width <i>Bezel measured left to right.</i> <i>Max. width is contingent on weight capacity.</i>
Warranty: 5 yr.	Warranty: 3 yr.	Warranty: 3 yr.



Visit our website for additional specs, dimensional drawings, alternative images and more resources for all of ESI's products.



Product shown: Climb, Climb2, Conceal, Centro



Power solutions

# Charge ahead and power through

Get power when and where you need it most: bring outlets to you with the FlexCharge series or wire your work place with the Railway series. Our options make these power source solutions adaptable for virtually any workspace.



*Product shown: Railway, FlexCharge4, Edge, Centro, All-Flex 3-leg, Designer White worksurface*

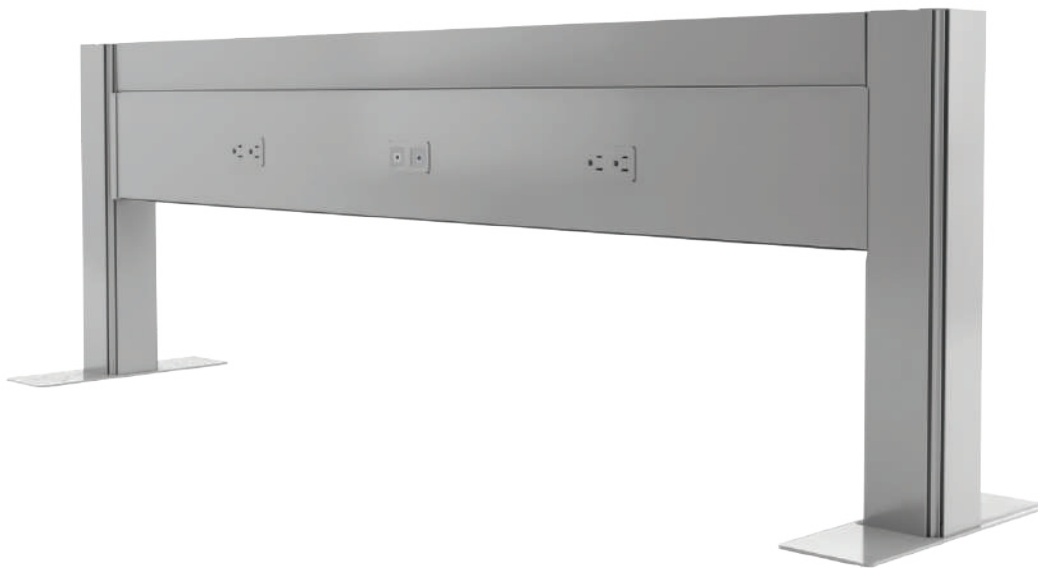




Product shown: FlexCharge9, Motific



# Railway™



## Railway

Power and data solution

### Versatile solution

Optimize floor plans with various workspace needs by adding Railway data and power rails. Available in four widths with power and data on both sides.

### Visually clean

The simple, non-panel design keeps all of the electrical and data wiring separated and hidden inside the rail.

### Feet

All posts come standard with a T-foot which is ideal for use in open floor plans. Alternatively, the L-foot is available to accommodate applications against a wall or partition.

## Features

Four available widths: 36.0", 48.0", 60.0", and 72.0"

18.0"h x 3.3"w post

3.6"w x 12.0"d T foot (standard)

3.6"w x 7.8"d L foot (optional)

Power and data can be utilized on both sides of the rail

Cable/data channel

Up to ten rails can be connected to each other (for anything over ten rails, contact a local electrician)

Up to eight 125V AC outlets per rail and four inputs for data

Specify base or ceiling feed

UL listed

20 amps

Four circuits, eight wire Byrne™ 8trac system

Fourth circuit is isolated and dedicated

Optional electric compliance available for municipal standards such as NY Box, California Title 24, and Chicago

Please reference the Railway Spec Guide for more details

Warranty: 15 yr. (structural)/7 yr. (electrical)

## Available finishes

● Silver -SLV  
48.0"/60.0" ships in 48 hrs.  
36.0"/72.0" LT

● Black -BLK  
All sizes LT

○ White -WHT  
All sizes LT



T-foot  
standard



L-foot  
optional



**Rail**

MODEL #		
RAIL-RWY36-DBL-___	<b>\$848</b>	<b>LT</b>
RAIL-RWY36-DBL-CHI-___	<b>\$848</b>	<b>LT</b>
RAIL-RWY36-DBL-CALI-___	<b>\$848</b>	<b>LT</b>
RAIL-RWY48-DBL-___	<b>\$887</b>	<b>LT</b>
RAIL-RWY48-DBL-CHI-___	<b>\$887</b>	<b>LT</b>
RAIL-RWY48-DBL-CALI-___	<b>\$887</b>	<b>LT</b>
RAIL-RWY60-DBL-___	<b>\$953</b>	<b>LT</b>
RAIL-RWY60-DBL-CHI-___	<b>\$953</b>	<b>LT</b>
RAIL-RWY60-DBL-CALI-___	<b>\$953</b>	<b>LT</b>
RAIL-RWY72-DBL-___	<b>\$1,024</b>	<b>LT</b>
RAIL-RWY72-DBL-CHI-___	<b>\$1,024</b>	<b>LT</b>
RAIL-RWY72-DBL-CALI-___	<b>\$1,024</b>	<b>LT</b>



**Ceiling feed**

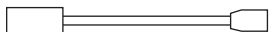
MODEL #		
CEILINGFEED-144	<b>\$263</b>	<b>LT</b>
CEILINGFEED-144-NY	<b>\$538</b>	<b>LT</b>
CEILINGFEED-144-CALI	<b>\$427</b>	<b>LT</b>

**Power pole**

MODEL #		
RAIL-POLE-142-___	<b>\$294</b>	<b>LT</b>

**Base feed**

MODEL #		
BASEFEED-72-END	<b>\$215</b>	<b>LT</b>
BASEFEED-72-END-NY	<b>\$336</b>	<b>LT</b>
BASEFEED-72-END-CALI	<b>\$332</b>	<b>LT</b>



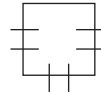
**Rail jumper**

MODEL #		
RAIL-JUMPER-22	<b>\$140</b>	<b>LT</b>



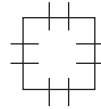
**End posts**

MODEL #		
POSTKIT-END-DBL-___	<b>\$275</b>	<b>LT</b>



**3-way posts**

MODEL #		
POSTKIT-3WAY-DBL-___	<b>\$299</b>	<b>LT</b>



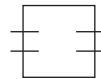
**4-way posts**

MODEL #		
POSTKIT-4WAY-DBL-___	<b>\$310</b>	<b>LT</b>



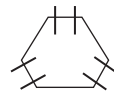
**90° posts**

MODEL #		
POSTKIT-90-DBL-___	<b>\$287</b>	<b>LT</b>



**180° posts**

MODEL #		
POSTKIT-180-DBL-___	<b>\$287</b>	<b>LT</b>



**120° posts**

MODEL #		
POSTKIT-120-DBL-___	<b>\$268</b>	<b>LT</b>



**180° knock out posts**

MODEL #		
POSTKIT-180KO-DBL-___	<b>\$255</b>	<b>LT</b>

# Railway™

## Linear configurations

### 2-pack (up to two users)

Rail kits include: rails, post kits, jumpers, and basefeed. Refer to Railway Spec Guide for quantities.

MODEL #	
RAIL-KIT36-2PK-DBL-___	\$1,557
RAIL-KIT48-2PK-DBL-___	\$1,596
RAIL-KIT60-2PK-DBL-___	\$1,662
RAIL-KIT72-2PK-DBL-___	\$1,733

Posts, rails, and feet will match specified finish

### 4-pack (up to four users)

Rail kits include: rails, post kits, jumpers, and basefeed. Refer to Railway Spec Guide for quantities.

MODEL #	
RAIL-KIT36-4PK-DBL-___	\$2,805
RAIL-KIT48-4PK-DBL-___	\$2,882
RAIL-KIT60-4PK-DBL-___	\$3,015
RAIL-KIT72-4PK-DBL-___	\$3,155

Posts, rails, and feet will match specified finish

### 6-pack (up to six users)

Rail kits include: rails, post kits, jumpers, and basefeed. Refer to Railway Spec Guide for quantities.

MODEL #	
RAIL-KIT36-6PK-DBL-___	\$4,052
RAIL-KIT48-6PK-DBL-___	\$4,169
RAIL-KIT60-6PK-DBL-___	\$4,367
RAIL-KIT72-6PK-DBL-___	\$4,578

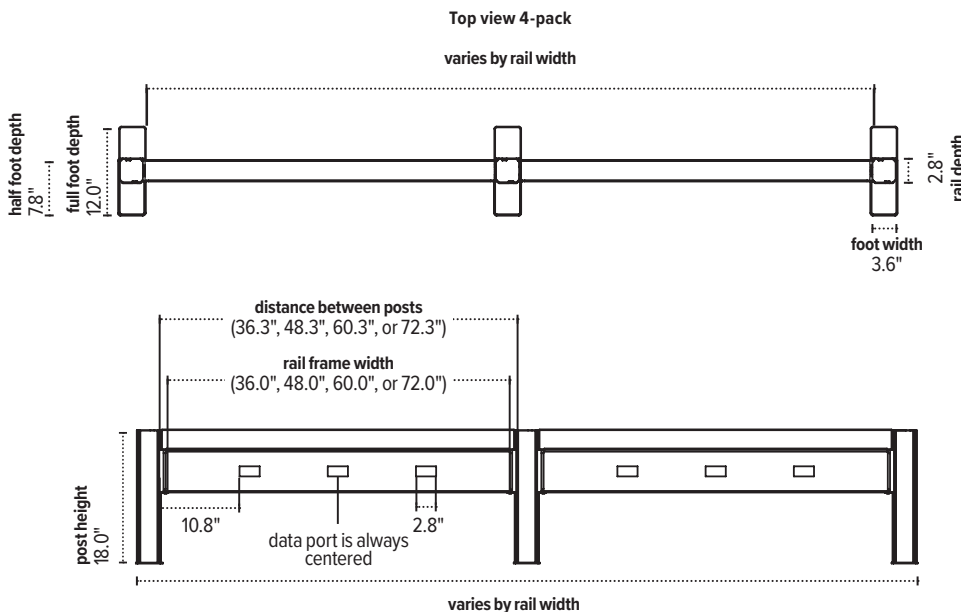
Posts, rails, and feet will match specified finish

### 8-pack (up to eight users)

Rail kits include: rails, post kits, jumpers, and basefeed. Refer to Railway Spec Guide for quantities.

MODEL #	
RAIL-KIT36-8PK-DBL-___	\$5,299
RAIL-KIT48-8PK-DBL-___	\$5,455
RAIL-KIT60-8PK-DBL-___	\$5,719
RAIL-KIT72-8PK-DBL-___	\$6,001

Posts, rails, and feet will match specified finish



When considering space requirements, it is important to remember to include the total combination of rail and post measurements.

## Linear configurations

### 2-pack (up to two users)



#### Run includes:

- Two - End posts
- One - Rail in the size of your choosing, double run
- One - Base feed
- Two - T-feet
- Four - Receptacles
- Two - Data ports

A **2-pack** is a one to two user configuration  
Up to **two** users can be provided power and data based on specified run  
Kits not applicable in New York, Chicago, or California

### 4-pack (up to four users)

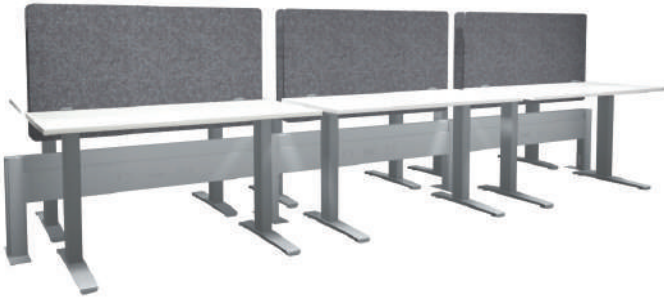


#### Run includes:

- Two - End posts
- One - 180° post
- Two - Rails in the size of your choosing, double run
- One - Base feed
- Three - T-feet
- One - Jumper
- Eight - Receptacles
- Four - Data ports

A **4-pack** is a two to four user configuration  
Up to **four** users can be provided power and data based on specified run  
Kits not applicable in New York, Chicago, or California

### 6-pack (up to six users)

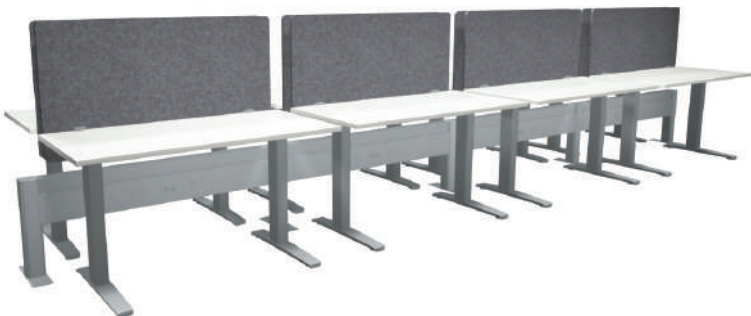


#### Run includes:

- Two - End posts
- Two - 180° posts
- Three - Rails in the size of your choosing, double run
- One - Base feed
- Four - T-feet
- Two - Jumpers
- Twelve - Receptacles
- Six - Data ports

A **6-pack** is a three to six user configuration  
Up to six users can be provided power and data based on specified run  
Kits not applicable in New York, Chicago, or California

### 8-pack (up to eight users)



#### Run includes:

- Two - End posts
- Three - 180° posts
- Four - Rails in the size of your choosing, double run
- One - Base feed
- Five - T-feet
- Three - Jumpers
- Sixteen - Receptacles
- Eight - Data ports

An **8-pack** is a four to eight user configuration  
Up to eight users can be provided power and data based on specified run  
Kits not applicable in New York, Chicago, or California

# FlexCharge™ 9



## FlexCharge9

Tabletop power pod

**\$275**

MODEL # FCH9-POD- \_ \_ \_

### Quick reach

Puts power within reach for any collaborative area or conference room.

### Charging

Ideal for multiple users to charge up to nine devices at once with quick-charge USB-A ports and AC outlets.

### Quality testing

Meets CSA C22.2 No269 surge protection guidelines.

### Features

Five AC outlets: 15A, 125V, 60Hz

Four quick-charge USB-A ports; 2 sets each provides 3.1A, 5V

Ideal for worksurfaces in collaborative spaces and conference rooms

Sits atop worksurfaces

Meets spill-protection criteria

UL and cUL listed

8.0' power cord

Indicator light illuminates when built-in surge protection is active

Circuit reset button on the underside of device

Warranty: 5yr.



### Available finishes

White -WHT

Black -BLK

Pink -PNK  
*100% of profits for Pink FlexCharge9 and FlexCharge9 Ring benefit The Common Thread for the Cure*

### FlexCharge9 Ring

Interchangeable top ring with a simple snap on, snap off design

Available in pink

**\$19**

MODEL # FCH9-RING-PNK



# FlexCharge™ 4CX



cord lengths are not an accurate representation

## FlexCharge4CX

Personal desktop power

**\$375**

MODEL # FCH4CX-\_\_\_\_

### Quick reach

Puts power within reach for any individual desk or benching environment.

### Extended reach

Six additional AC outlets on the power adapter which mounts below the worksurface for all workstation equipment that needs power but doesn't need to be seen.

### Charging

Includes quick-charge USB-A and USB-C ports for powering up phones, tablets or other devices.

### Quality testing

Meets CSA C22.2 No269 surge protection guidelines.

### Features

Power module:

- Two AC outlets- 15A, 125V, 60Hz
- One quick-charge USB-A port- 3A, 5V
- One quick-charge USB-C port- 3A, 5V

Power strip: six AC outlets

Power module: Universal mounting bracket that allows for a desk clamp, 2.0" grommet, or under worksurface mount

Power strip: mounts below the worksurface

Meets spill-protection criteria

UL and cUL listed

8.0' power cord (*black*)

28.5" connection cord (*color matched to power module*)

Indicator light illuminates when built-in surge protection is active

Warranty: 5yr.

### Available finishes

White -WHT

Black -BLK

# FlexCharge™ 4C



## FlexCharge4C

Personal desktop power

**\$242**

MODEL # FCH4C-\_\_\_

### Quick reach

Puts power within reach for any individual desk or benching environment.

### Charging

Includes quick-charge USB-A and USB-C ports for powering up phones, tablets or other devices.

### Quality testing

Meets CSA C22.2 No269 surge protection guidelines.

### Features

Two AC outlets: 15A, 125V, 60Hz

One quick-charge USB-A port: 3A, 5V

One quick-charge USB-C port: 3.1A, 5V

Universal mounting bracket that allows for a desk clamp, 2.0" grommet, or under worksurface mount

Meets spill-protection criteria

UL and cUL listed

8.0' power cord

Indicator light illuminates when built-in surge protection is active

Warranty: 5yr.

### Available finishes

○ White -WHT

● Black -BLK

# FlexCharge™ 4



## FlexCharge4

Personal desktop power

**\$219**

MODEL # FCH4-DSK-\_\_\_\_

### Quick reach

Puts power within reach for any individual desk or benching environment.

### Charging

Includes quick-charge USB-A ports for powering up phones, tablets or other devices.

### Quality testing

Meets CSA C22.2 No269 surge protection guidelines.

### Features

Two AC outlets: 15A, 125V, 60Hz

Two quick-charge USB-A ports: 3.1A, 5V

Universal mounting bracket that allows for a desk clamp, 2.0" grommet, or under worksurface mount

Meets spill-protection criteria

UL and cUL listed

8.0' power cord

Indicator light illuminates when built-in surge protection is active

Warranty: 5yr.



### Available finishes

○ White -WHT

● Black -BLK



*Product shown: FlexCharge4C,  
Vivid-LEX. Designer White worksurface*



*Product shown: FlexCharge3, Pixie-LED,  
Designer White worksurface*

# FlexCharge™3



## FlexCharge3

Personal desktop power

**\$150**

MODEL # FCH3-DSK-\_\_\_\_

### Quick reach

Puts power within reach for any individual desk or benching environment.

### Charging

Includes quick-charge USB-A ports for powering up phones, tablets or other devices.

### Features

One AC outlet: 15A, 125V, 60Hz

Two quick-charge USB-A ports: 3.1A, 5V

Mounts with a desk clamp

Meets spill-protection criteria

UL and cUL listed

8.0' power cord

Warranty: 5 yr.



### Available finishes

White -WHT

Black -BLK



# Power solutions

## FlexCharge9

Tabletop power pod



**\$275**

MODEL # FCH9-POD-\_\_\_

- Black -BLK
- White -WHT
- Pink -PNK

## FlexCharge4CX

Personal desktop power



**\$375**

MODEL # FCH4CX-\_\_\_

- Black -BLK
- White -WHT

## FlexCharge4C

Personal desktop power



**\$242**

MODEL # FCH4C-\_\_\_

- Black -BLK
- White -WHT

Five AC outlets: 15A, 125V, 60Hz	Power module: two AC outlets: 15A, 125V, 60Hz	Two AC outlets: 15A, 125V, 60Hz
Four quick-charge USB-A ports; 2 sets each provides 3.1A, 5V	Power module: One quick-charge USB-A port: 3A, 5V One quick-charge USB-C port: 3A, 5V	One quick-charge USB-A port: 3A, 5V One quick-charge USB-C port: 3.1A, 5V
–	Power strip: six AC outlets	–
Sits atop worksurfaces	Power module: Universal mounting bracket that allows for a desk clamp, 2.0" grommet, or under worksurface mount Power strip: mounts below the worksurface	Universal mounting bracket that allows for a desk clamp, 2.0" grommet, or under worksurface mount
Meets spill-protection criteria	Meets spill-protection criteria	Meets spill-protection criteria
UL and cUL listed	UL and cUL listed	UL and cUL listed
8.0' power cord	8.0' power cord ( <i>black</i> ) 28.5" connection cord ( <i>color matched to power module</i> )	8.0' power cord
Indicator light illuminates when built-in surge protection is active	Indicator light illuminates when built-in surge protection is active	Indicator light illuminates when built-in surge protection is active
Circuit reset button on the underside of device	–	–
Warranty: 5yr.	Warranty: 5yr.	Warranty: 5yr.



Visit our website for additional specs, dimensional drawings, alternative images and more resources for all of ESI's products.

## FlexCharge4

Personal desktop power



**\$219**

MODEL # FCH4-DSK-\_\_\_

Black -BLK

White -WHT

## FlexCharge3

Personal desktop power



**\$150**

MODEL # FCH3-DSK-\_\_\_

Black -BLK

White -WHT

---

Two AC outlets: 15A, 125V, 60Hz

---

One AC outlet: 15A, 125V, 60Hz

---

Two quick-charge USB-A ports: 3.1A, 5V

---

Two quick-charge USB-A ports: 3.1A, 5V

---

–

---

–

---

Universal mounting bracket that allows for a desk clamp, 2.0" grommet, or under worksurface mount

---

Mounts with a desk clamp

---

Meets spill-protection criteria

---

Meets spill-protection criteria

---

UL and cUL listed

---

UL and cUL listed

---

8.0' power cord

---

8.0' power cord

---

Indicator light illuminates when built-in surge protection is active

---

–

---

–

---

–

---

Warranty: 5 yr.

---

Warranty: 5 yr.



Keyboard solutions

# A (key)stroke of genius

Beat fatigue and boost your productivity with a simple solution—maximizing your keyboard. Our keyboard solutions feature built-in elements like tilt adjustment, palm rest, and glide track to elevate your comfort, and are highly adaptable to fit your specific needs.



*Product shown: Solution 1, VictoryLX 3-leg, Designer White worksurface, FlexCharge4, Centro, Railway, Evolve2-FMS*

# Combo solutions



## Solution Ultra

Keyboard combo solution

**\$489**

MODEL # SOLUTION ULTRA

### Switch-n-click mousing

Adjust mousing area to be used in three positions: over the keyboard, next to the keyboard or in a mouse forward position.

### Lift-and-lock

Make quick and easy adjustments and set a comfortable tilt.

### Features

Recommended for radius corner worksurfaces

PL217 keyboard platform

18.8" keyboard platform with  
9.3" switch-n-click mousing platform

AA360 articulating arm

Lift-and-lock adjustment

21.0" glide track

21.0" clearance required for full retraction

±15° tilt adjustment

7.0" adjustment range

2.5" height above track

4.5" height below track

360° glide track rotation

Positions flush with worksurface

Warranty: 15 yr. (articulating arm/platform)

2 yr. (palm rest/mouse pads)



## Solution All-Fit

Keyboard combo solution

**\$457**

MODEL # SOLUTION ALL-FIT

### Save space

Keyboard platforms help maximize the amount of available space on a worksurface.

### Dual retraction

This innovative mechanism retracts at two points to achieve full clearance under worksurfaces as shallow as 13 inches.

### Features

Recommended for shallow worksurfaces, or benching applications

PL003-27N keyboard platform

27.0" keyboard platform with notch

AA100-PTLO articulating arm

Lift-and-lock adjustment

12.3" glide track

13.0" clearance required for full retraction

+22.6°/-12.4° tilt adjustment

6.0" height adjustment range

2.4" height above track

3.6" height below track

360° glide track rotation

Positions flush with worksurface

Warranty: 15 yr. (articulating arm/platform)

2 yr. (palm rest/mouse pads)



Positive tilt

Negative tilt

# Combo solutions

## Solution 1 Solution 1CC

Keyboard platform combo



**\$335**

MODEL # SOLUTION 1  
MODEL # SOLUTION 1CC

## Solution 2 Solution 2CC

Keyboard platform combo



**\$433**

MODEL # SOLUTION 2  
MODEL # SOLUTION 2CC

## Solution 3

Keyboard platform combo



**\$483**

MODEL # SOLUTION 3

Recommended for straight edge worksurfaces (Solution 1) or diagonal corner worksurfaces (Solution 1CC)

PL003-25 or PL003CC-25 keyboard platform(s)

25.0" keyboard platform, rectangle or cut corner

AA260 articulating arm

Spring assisted adjustment

17.0" glide track

–

±15° tilt adjustment

6.3" adjustment range  
1.3" height above track  
5.0" height below track

360° glide track rotation

Positions flush with worksurface

Available in R-series\*  
*(cut corner only)*

Warranty: 15 yr. *(articulating arm/platform)*  
2 yr. *(palm rest/mouse pads)*



Recommended for straight edge worksurfaces (Solution 2) or diagonal corner worksurfaces (Solution 2CC)

PL003-25 or PL003CC-25 keyboard platform(s)

25.0" keyboard platform, rectangle or cut corner

AA360 articulating arm

Lift-and-lock adjustment

21.0" glide track

21.0" clearance required for full retraction

±15° tilt adjustment

7.0" adjustment range  
2.5" height above track  
4.5" height below track

360° glide track rotation

Positions flush with worksurface

Available in R-series\*  
*(cut corner only)*

Warranty: 15 yr. *(articulating arm/platform)*  
2 yr. *(palm rest/mouse pads)*



Recommended for radius corner worksurfaces

PL215 keyboard platform

18.8" keyboard platform with swivel mouse-below platform

AA360 articulating arm

Lift-and-lock adjustment

21.0" glide track

21.0" clearance required for full retraction

±15° tilt adjustment

7.0" adjustment range  
2.5" height above track  
4.5" height below track

360° glide track rotation

Positions flush with worksurface

–

Warranty: 15 yr. *(articulating arm/platform)*  
2 yr. *(palm rest/mouse pads)*



\*R-series platforms are composed of 100% post-consumer materials, making them completely recyclable. They are free of formaldehydes and carcinogens and emit no VOC's (Volatile Organic Compounds). Additional costs apply. Visit our website for additional specs, dimensional drawings, alternative images and more resources for all of ESI's products.



## Solution Ultra

Keyboard platform combo



**\$489**

MODEL # SOLUTION ULTRA

## Solution 4

Keyboard platform combo



**\$537**

MODEL # SOLUTION 4




## Solution 6 Solution 6CC

Keyboard platform combo



**\$458**

MODEL # SOLUTION 6  
MODEL # SOLUTION 6CC

Recommended for radius corner worksurfaces	Recommended for straight edge worksurfaces or diagonal corner worksurfaces	Recommended for straight edge worksurfaces (Solution 6) or diagonal corner worksurfaces (Solution 6CC)
PL217 keyboard platform	PLMAC keyboard platform	PL003-27 or PL003CC-27 keyboard platform(s)
18.8" keyboard platform with 9.3" switch-n-click mousing platform	26.5" platform reversible at installation	27.0" keyboard platform, rectangle or cut corner
AA360 articulating arm	AA370 articulating arm	AA750DAT articulating arm
Lift-and-lock adjustment	Lift-and-lock adjustment	Lift-and-lock and dial-a-tilt adjustment
21.0" glide track	24.8" glide track	21.8" glide track
21.0" clearance required for full retraction	25.0" clearance required for full retraction	22.0" clearance required for full retraction
±15° tilt adjustment	±15° tilt adjustment	+10°/-15° tilt adjustment
7.0" adjustment range 2.5" height above track 4.5" height below track	16.0" adjustment range 8.0" height above track 8.0" height below track	7.2" adjustment range 2.3" height above track 4.9" height below track
360° glide track rotation	360° glide track rotation	360° glide track rotation
Positions flush with worksurface	Positions flush with worksurface	Positions flush with worksurface
—	—	—
Warranty: 15 yr. (articulating arm/platform) 2 yr. (palm rest/mouse pads)	Warranty: 15 yr. (articulating arm/platform) 2 yr. (palm rest/mouse pads)	Warranty: 15 yr. (articulating arm/platform) 2 yr. (palm rest/mouse pads)
		

# Combo solutions

## Solution 7

Keyboard platform combo



**\$506**

MODEL # SOLUTION 7

## Solution All-Fit

Keyboard platform combo



**\$457**

MODEL # SOLUTION ALL-FIT

## Solution 90

Keyboard platform combo



**\$629**

MODEL # SOLUTION 90

Recommended for radius corner worksurfaces	Recommended for straight edge worksurfaces or shallow worksurfaces	Recommended for 90° corner worksurfaces only
PL217 keyboard platform	PL003-27N keyboard platform	PL003CC-25 keyboard platform
18.8" keyboard platform with 9.3" switch-n-click mousing platform	27.0" keyboard platform with notch	25.0" cut corner keyboard platform
AA750DAT articulating arm	AA100-PTLO articulating arm	AA355DS articulating arm
Lift-and-lock and dial-a-tilt adjustment	Lift-and-lock adjustment	Lift-and-lock with dual swivel adjustment
21.8" glide track	12.3" glide track	21.8" glide track
22.0" clearance required for full retraction	13.0" clearance required for full retraction	22.0" clearance required for full retraction
+10°/-15° tilt adjustment	+22.6°/-12.4° tilt adjustment	+10°/-15° tilt adjustment
7.2" adjustment range 2.3" height above track 4.9" height below track	6.0" adjustment range 2.4" height above track 3.6" height below track	9.3" adjustment range 3.4" height above track 5.9" height below track
360° glide track rotation	360° glide track rotation	360° glide track rotation
Positions flush with worksurface	Positions flush with worksurface	Positions flush with worksurface
–	–	Available in R-series*
Warranty: 15 yr. (articulating arm/platform) 2 yr. (palm rest/mouse pads)	Warranty: 15 yr. (articulating arm/platform) 2 yr. (palm rest/mouse pads)	Warranty: 15 yr. (articulating arm/platform) 2 yr. (palm rest/mouse pads)

\*R-series platforms are composed of 100% post-consumer materials, making them completely recyclable. They are free of formaldehydes and carcinogens and emit no VOC's (Volatile Organic Compounds). Additional costs apply. Visit our website for additional specs, dimensional drawings, alternative images and more resources for all of ESI's products.

# Keyboard platforms



## PL003

Rectangle platform

**\$131**

MODEL # PL003-19  
19.0" wide

**\$161**

MODEL # PL003-25  
25.0" wide (shown)

**\$170**

MODEL # PL003-27  
27.0" wide

**\$170**

MODEL # PL003-27N  
27.0" wide notched

## Features

For use with straight edge worksurfaces

Accommodates left or right-handed users

Palm rest for both keying and mousing

PL003-27N can only be used in the Solution All-Fit for complete retraction

Warranty: 15 yr. (platform)

2 yr. (palm rest/mouse pads)



## PL003CC

Cut corner platform

**\$161**

MODEL # PL003CC-25  
25.0" wide (shown)

**\$187**

MODEL # PL003CCR-25  
25.0" wide R-series\*

**\$170**

MODEL # PL003CC-27  
27.0" wide

## Features

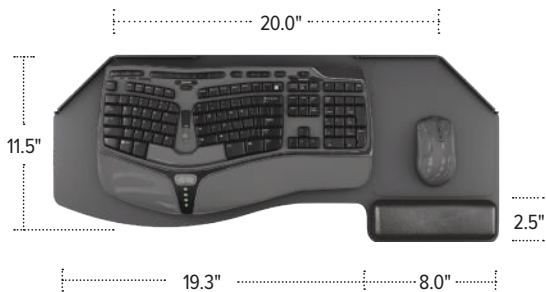
For use with diagonal corner worksurfaces

Accommodates left or right-handed users

Palm rest for both keying and mousing

Warranty: 15 yr. (platform)

2 yr. (palm rest/mouse pads)



## PL005CC

Natural cut corner platform

**\$145**

MODEL # PL005CC

## Features

Designed for use with natural style keyboards

Palm rest for mousing

Warranty: 15 yr. (platform)

2 yr. (palm rest/mouse pads)



\*R-series platforms are composed of 100% post-consumer materials, making them completely recyclable. They are free of formaldehydes and carcinogens and emit no VOC's (Volatile Organic Compounds).

# Keyboard platforms



## PL006

Radius platform

**\$170**

MODEL # PL006-27

### Features

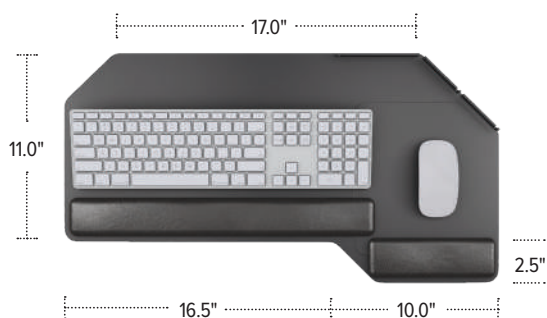
Designed for 42.0" and larger radius corner worksurfaces

Accommodates left or right-handed users

Palm rest for both keying and mousing

Warranty: 15 yr. (platform)

2 yr. (palm rest/mouse pads)



## PLMAC

Cut corner platform

**\$174**

MODEL # PLMAC

### Features

Designed for straight edge and 21.0" or larger diagonal corner worksurfaces

Accommodates left or right-handed users

Palm rest for both keying and mousing

Warranty: 15 yr. (platform)

2 yr. (palm rest/mouse pads)



## PL215

Swivel mouse-below platform

**\$213**

MODEL # PL215

### Features

Offers a universal fit on virtually any worksurface shape

Accommodates left or right-handed users

Palm rest for both keying and mousing

18.8" platform with a swivel-below mousing platform

Warranty: 15 yr. (platform)

2 yr. (palm rest/mouse pads)





### PL217

Switch-n-click platform

**\$218**

MODEL # PL217 *(shown)*

**\$206**

MODEL # PL217NAT

### Features

Reversible design; mouse platform mounts on left or right side - no tools required

Independent tilt and swivel mousing platform

Can be used as a mouse in line, mouse over, or mouse forward

Warranty: 15 yr. *(platform)*

2 yr. *(palm rest/mouse pads)*



### PL200

Slide-out mouse platform

**\$252**

MODEL # PL200

### Features

Left or right slide-out mouse tray

18.8" width while in closed position

27.8" width while in open position

Accommodates left or right-handed users

Warranty: 15 yr. *(platform)*

2 yr. *(palm rest/mouse pads)*



### AA903

Keyboard drawer slide platform

**\$194**

MODEL # AA903

*Not compatible with articulating arms*

### Features

25.0" width accommodates both keyboard and mouse

Retractable on 15.0" ball bearing slides

Palm rest for both keying and mousing

Warranty: 15 yr. *(platform)*

2 yr. *(palm rest/mouse pads)*





# Articulating arms

## AA260

Articulating arm



**\$173**

MODEL # AA260

## AA330

Articulating arm



**\$271**

MODEL # AA330

## AA360

Articulating arm



**\$271**

MODEL # AA360

Spring assisted adjustment

Lift-and-lock adjustment

Lift-and-lock adjustment

17.0" glide track

17.8" glide track

21.0" glide track

No minimum clearance required for full retraction

No minimum clearance required for full retraction

21.0" minimum clearance required for full retraction

±15° tilt adjustment

±15° tilt adjustment

±15° tilt adjustment

6.3" adjustment range  
1.3" height above track  
5.0" height below track

7.0" adjustment range  
2.5" height above track  
4.5" height below track

7.0" adjustment range  
2.5" height above track  
4.5" height below track

360° glide track rotation

360° glide track rotation

360° glide track rotation

Positions flush with worksurface

Positions flush with worksurface

Positions flush with worksurface

Recommended for any platform

Recommended for any platform

Recommended for any platform

Warranty: 15 yr.

Warranty: 15 yr.

Warranty: 15 yr.



Positive tilt



Negative tilt

Visit our website for additional specs, dimensional drawings, alternative images and more resources for all of ESI's products.

## AA100-PTLO

Articulating arm



**\$287**

MODEL # AA100-PTLO

## AA750DAT

Articulating arm



**\$288**

MODEL # AA750DAT

## AA370

Articulating arm with  
extended reach



**\$362**

MODEL # AA370

Lift-and-lock adjustment

Lift-and-lock and dial-a-tilt adjustment

Lift-and-lock adjustment

12.3" glide track

21.8" glide track

24.8" glide track

13.0" minimum clearance required  
for full retraction

22.0" minimum clearance required  
for full retraction

25.0" minimum clearance required  
for full retraction

+22.6°/-12.4° tilt adjustment

+10°/-15° tilt adjustment

±15° tilt adjustment

6.0" adjustment range  
2.4" height above track  
3.6" height below track

7.1" adjustment range  
2.2" height above track  
4.9" height below track

16.0" adjustment range  
8.0" height above track  
8.0" height below track

360° glide track rotation

360° glide track rotation

360° glide track rotation

Positions flush with worksurface

Positions flush with worksurface

Positions flush with worksurface

Recommended for PL003-27N  
notched platform

Recommended for any platform

Recommended for any platform

Warranty: 15 yr.

Warranty: 15 yr.

Warranty: 15 yr.



# Articulating arms

## AA780DAT

Articulating arm



**\$426**

MODEL # AA780DAT

Lift-and-lock and dial-a-tilt adjustment

21.8" glide track

22.0" minimum clearance required  
for full retraction

+10°/-15° tilt adjustment

12.9" adjustment range  
8.2" height above track  
4.7" height below track

360° glide track rotation

Positions flush with worksurface

Recommended for any platform

–

Warranty: 15 yr.



Positive tilt

Negative tilt

Visit our website for additional specs, dimensional drawings, alternative images and more resources for all of ESI's products.

## AA355DS

Articulating arm



**\$467**

MODEL # AA355DS

Lift-and-lock adjustment

21.8" glide track

22.0" minimum clearance required  
for full retraction

+10°/-15° tilt adjustment

9.3" adjustment range  
3.4" height above track  
5.9" height below track

360° glide track rotation

–

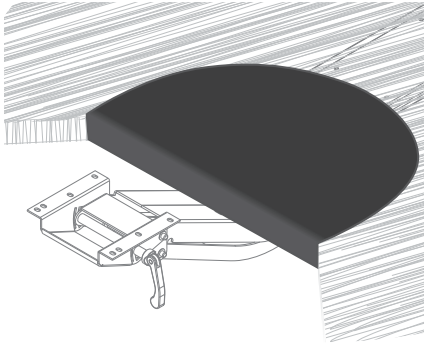
Recommended for cut corner platforms

Dual swivel

Warranty: 15 yr.



# Keyboard accessories



## Corner Diagonal

**\$177**

MODEL # ACCD90-17-BLK

*For use on corners less than 17.0" wide*

**\$196**

MODEL # ACCD90-21-BLK

*For use on corners less than 21.0" wide*

### Features

Converts 90° corners to diagonal corners for additional work area and moves the user closer to the worksurface

Includes spacers and furniture protectors

Accommodates surfaces up to 1.4" thick

Warranty: 15 yr.



## Spacer Kit

**\$70**

MODEL # SPACERKIT-KBD-BLK

### Features

Ideal for height adjustable tables and benching systems, the kit creates a flat mounting surface for keyboard arms and glide tracks where cross channels typically prevent installations

Attaches between underside of worksurface and a keyboard arm or glide track

Includes mounts for benching systems and height adjustable tables

Powder coated steel construction

Two sets of spacers included to accommodate needed spacing between 1.0"–2.2"

Includes installation hardware

Warranty: 15 yr.



Lighting solutions

# Shine on

Cast light where it's needed—after all, your work deserves to be seen. Our desktop task lighting and under-cabinet lighting feature a variety of options, like dimming, occupancy sensors, flexible tilt and rotation, and energy-saving enhancements.



*Product shown: Amble Designer*



# Amble™ series



## Amble Designer

Single arm LED task light with USB-A port and battery

**\$750**

MODEL # AMB-DESI- \_ \_ \_ \_

### Available finishes

- Silver -SLV
- White -WHT
- Black -BLK
- Ash Grey -GRY

### Features

LED  
3500 K color temperature  
206 lumens  
83 CRI  
11.5 watts  
60,000 hrs. lamp life  
Occupancy sensor with 30 min. auto shut-off  
Built-in dimmer  
9.0' power cord  
Rechargeable lithium battery  
Power source is UL listed  
Light is ETL listed  
USB-A charging port  
15.8" arm reach  
Warranty: 15 yr. (structural)  
1 yr. (LED transformer)



## Amble Performance

Single arm LED task light with USB-A port

**\$485**

MODEL # AMB-PERF- \_ \_ \_ \_

### Available finishes

- Silver -SLV
- White -WHT
- Black -BLK
- Ash Grey -GRY

### Features

LED  
3500 K color temperature  
206 lumens  
83 CRI  
11.5 watts  
60,000 hrs. lamp life  
Occupancy sensor with 30 min. auto shut-off  
Built-in dimmer  
9.0' power cord  
Power source is UL listed  
Light is ETL listed  
USB-A charging port  
15.8" arm reach  
Warranty: 15 yr. (structural)  
1 yr. (LED transformer)



# Amble™ series



## Amble Classic

Single arm LED task light

**\$375**

MODEL # AMB-CLSC-WHT

### Available finishes

White -WHT

### Features

LED

3500 K color temperature

206 lumens

83 CRI

11.5 watts

60,000 hrs. lamp life

10 hr. auto shut-off

Built-in dimmer

9.0' power cord

Power source is UL listed

Light is ETL listed

15.8" arm reach

Warranty: 15 yr. (structural)

1 yr. (LED transformer)



# Lustre



## Lustre

Telescoping LED task light  
with USB-A port

**\$499**

MODEL # LUSTRE- \_ \_ \_

### Available finishes

Silver -SLV

White -WHT

### Features

LED

3500 K color temperature

350 lumens

83 CRI

6 watts

50,000 hrs. lamp life

Occupancy sensor

Built-in dimmer

12.0' power cord

Power source is UL listed

USB-A charging port

Telescoping arm reach

Warranty: 15 yr. (*structural*)

1 yr. (*LED transformer*)



# Vivid series



## Vivid-LEX

Two arm LED task light

**\$350**

MODEL # VIVID-LEX-SLV

### Available finishes

Silver -SLV

### Features

LED  
4100 K color temperature  
350 lumens  
85 CRI  
6 watts  
50,000 hrs. lamp life  
8 hr. auto shut-off  
Built-in dimmer  
6.0' power cord  
Power source is UL listed  
38.0" arm reach  
Warranty: 15 yr. (structural)  
1 yr. (LED transformer)



## Vivid-X

Single arm LED task light

**\$325**

MODEL # VIVID-X-SLV

### Available finishes

Silver -SLV

### Features

LED  
4100 K color temperature  
350 lumens  
85 CRI  
6 watts  
50,000 hrs. lamp life  
8 hr. auto shut-off  
Built-in dimmer  
6.0' power cord  
Power source is UL listed  
27.0" arm reach  
Warranty: 15 yr. (structural)  
1 yr. (LED transformer)



*Product shown: Vivid-LEX, FlexCharge4C,  
Designer White worksurface*



# Lily™ series



## Lily LEDX

Single arm LED task light  
with USB-A port

**\$252**

MODEL # LILY-LEDX- \_ \_ \_

### Available finishes

- Silver -SLV
- White -WHT
- Black -BLK

### Features

LED  
5000 K color temperature  
900 lumens  
90 CRI  
8 watts  
90,000 hrs. lamp life  
6 hr. auto shut-off  
Built-in dimmer  
6.0' power cord  
Power source and light is ETL listed  
USB-A charging port  
16.0" arm reach  
Warranty: 15 yr. (structural)  
1 yr. (LED transformer)



## Lily LED

Single arm LED task light

**\$189**

MODEL # LILY-LED- \_ \_ \_

### Available finishes

- Silver -SLV
- White -WHT
- Black -BLK

### Features

LED  
5000 K color temperature  
900 lumens  
90 CRI  
8 watts  
90,000 hrs. lamp life  
Built-in dimmer  
6.0' power cord  
Power source and light is ETL listed  
16.0" arm reach  
Warranty: 15 yr. (structural)  
1 yr. (LED transformer)



# Pixie series



## Pixie-LEDX

Small profile task light with USB-A port

**\$170**

MODEL # PIXIE-LEDX-SLV

### Available finishes

Silver -SLV

### Features

LED  
3000 K color temperature  
290 lumens  
80 CRI  
3 watts  
50,000 hrs. lamp life  
8 hr. auto shut-off  
Built-in dimmer  
7.0' power cord  
Power source is UL listed  
USB-A charging port  
11.8" arm reach  
Warranty: 15 yr. (structural)  
1 yr. (LED transformer)



## Pixie-LED

Small profile task light

**\$140**

MODEL # PIXIE-LED-\_\_\_

### Available finishes

Silver -SLV

Pink -PNK  
100% of profits for Pink Pixie-LED benefit  
The Common Thread for the Cure

### Features

LED  
3000 K color temperature  
250 lumens  
80 CRI  
3 watts  
50,000 hrs. lamp life  
7.0' power cord  
Power source is UL listed  
11.8" arm reach  
Warranty: 15 yr. (structural)  
1 yr. (LED transformer)



Product shown: Lily-LEDX,  
Designer White worksurface

# Task lighting

## Amble™ Designer

Single arm LED task light with USB-A port and battery



**\$750**

MODEL # AMB-DESI- \_ \_ \_ \_

- Silver -SLV
- White -WHT
- Black -BLK
- Ash Grey -GRY

## Amble Performance

Single arm LED task light with USB-A port



**\$485**

MODEL # AMB-PERF- \_ \_ \_ \_

- Silver -SLV
- White -WHT
- Black -BLK
- Ash Grey -GRY

## Amble Classic

Single arm LED task light



**\$375**

MODEL # AMB-CLSC-WHT

- White -WHT

LED	LED	LED
3500 K color temperature	3500 K color temperature	3500 K color temperature
206 lumens	206 lumens	206 lumens
83 CRI	83 CRI	83 CRI
11.5 watts	11.5 watts	11.5 watts
60,000 hrs. lamp life	60,000 hrs. lamp life	60,000 hrs. lamp life
Occupancy sensor with 30 min. auto shut-off	Occupancy sensor with 30 min. auto shut-off	10 hr. auto shut-off
Built-in dimmer	Built-in dimmer	Built-in dimmer
9.0' power cord	9.0' power cord	9.0' power cord
Rechargeable lithium battery	–	–
Power source is UL listed	Power source is UL listed	Power source is UL listed
Light is ETL listed	Light is ETL listed	Light is ETL listed
USB-A charging port	USB-A charging port	–
15.8" arm reach	15.8" arm reach	15.8" arm reach
Warranty: 15 yr. (structural)/1 yr. (LED transformer)	Warranty: 15 yr. (structural)/1 yr. (LED transformer)	Warranty: 15 yr. (structural)/1 yr. (LED transformer)

# Task lighting

## Lustre

Telescoping LED task light with USB-A port



**\$499**

MODEL # LUSTRE-\_\_\_\_

- Silver -SLV
- White -WHT

## Vivid-LEX

Two arm LED task light



**\$350**

MODEL # VIVID-LEX-SLV

- Silver -SLV

## Vivid-X

Single arm LED task light



**\$325**

MODEL # VIVID-X-SLV

- Silver -SLV

LED	LED	LED
3500 K color temperature	4100 K color temperature	4100 K color temperature
350 lumens	350 lumens	350 lumens
83 CRI	85 CRI	85 CRI
6 watts	6 watts	6 watts
50,000 hrs. lamp life	50,000 hrs. lamp life	50,000 hrs. lamp life
Occupancy sensor	–	–
–	8 hr. auto shut-off	8 hr. auto shut-off
Built-in dimmer	Built-in dimmer	Built-in dimmer
12.0' power cord	6.0' power cord	6.0' power cord
Power source is UL listed	Power source is UL listed	Power source is UL listed
–	–	–
USB-A charging port	–	–
Telescoping arm reach	38.0" arm reach	27.0" arm reach
Warranty: 15 yr. (structural) 1 yr. (LED transformer)	Warranty: 15 yr. (structural) 1 yr. (LED transformer)	Warranty: 15 yr. (structural) 1 yr. (LED transformer)
	–	–



## Lily™ LEDX

Single arm LED task light with USB-A port



**\$252**

MODEL # LILY-LEDX-\_\_\_\_

- Silver -SLV
- White -WHT
- Black -BLK

## Lily LED

Single arm LED task light



**\$189**

MODEL # LILY-LED-\_\_\_\_

- Silver -SLV
- White -WHT
- Black -BLK

## Pixie-LEDX

Small profile task light with USB-A port



**\$170**

MODEL # PIXIE-LEDX-SLV

- Silver -SLV

## Pixie-LED

Small profile task light



**\$140**

MODEL # PIXIE-LED-\_\_\_\_

- Silver -SLV
- Pink -PNK

LED	LED	LED	LED
5000 K color temperature	5000 K color temperature	3000 K color temperature	3000 K color temperature
900 lumens	900 lumens	290 lumens	250 lumens
90 CRI	90 CRI	80 CRI	80 CRI
8 watts	8 watts	3 watts	3 watts
90,000 hrs. lamp life	90,000 hrs. lamp life	50,000 hrs. lamp life	50,000 hrs. lamp life
–	–	–	–
6 hr. auto shut-off	–	8 hr. auto shut-off	–
Built-in dimmer	Built-in dimmer	Built-in dimmer	–
6.0' power cord	6.0' power cord	7.0' power cord	7.0' power cord
–	–	Power source is UL listed	Power source is UL listed
Power source and light is ETL listed	Power source and light is ETL listed	–	–
USB-A charging port	–	USB-A charging port	–
16.0" arm reach	16.0" arm reach	11.8" arm reach	11.8" arm reach
Warranty: 15 yr. (structural) 1 yr. (LED transformer)	Warranty: 15 yr. (structural) 1 yr. (LED transformer)	Warranty: 15 yr. (structural) 1 yr. (LED transformer)	Warranty: 15 yr. (structural) 1 yr. (LED transformer)
		–	–



Product shown: G2

# G2 series



## G2 - 36"

Under cabinet LED lighting track

**\$584**

MODEL # LEDG2-36-SLV

**\$1,232**

MODEL # LEDG2-36X2-SLV

Set of two

Includes one 24.0" jumper cord

**\$1,805**

MODEL # LEDG2-36X3-SLV

Set of three

Includes two 24.0" jumper cords



## G2 - 24"

Under cabinet LED lighting track

**\$474**

MODEL # LEDG2-24-SLV

**\$942**

MODEL # LEDG2-24X2-SLV

Set of two

Includes one 24.0" jumper cord

**\$1,470**

MODEL # LEDG2-24X3-SLV

Set of three

Includes two 24.0" jumper cords

**\$1,846**

MODEL # LEDG2-24X4-SLV

Set of four

Includes three 24.0" jumper cords

### Occupancy sensor

One occupancy sensor controls every daisy chained G2 light, shutting-off all connected lights simultaneously. When motion is detected, lights resume the last brightness setting.

**\$122**

MODEL # G2-OS

### Features

25.0"w x 1.0"d x 1.2"h unit size

580 lumens (with diffuser)

740 lumens (without diffuser)

11.5 watts

3500 K color temperature

85 CRI

50,000 hrs. lamp life

Continuous dimmer

9.0' power cord

Power source is UL listed

360° rotation

Optical diffuser

Combination wood and magnet mounting hardware

Occupancy sensor sold separately

Warranty: 15 yr. (structural)

1 yr. (LED transformer)



### Features

20.0"w x 1.0"d x 1.2"h unit size

430 lumens (with diffuser)

550 lumens (without diffuser)

8.5 watts

3500 K color temperature

85 CRI

50,000 hrs. lamp life

Continuous dimmer

9.0' power cord

Power source is UL listed

360° rotation

Optical diffuser

Combination wood and magnet mounting hardware

Occupancy sensor sold separately

Warranty: 15 yr. (structural)

1 yr. (LED transformer)



# Lucera series



## Lucera - 36"

Under cabinet LED lighting track

**\$462**

MODEL # LUCERA-36-SLV

**\$927**

MODEL # LUCERA-36X2-SLV

Set of two

Includes one 24.0" jumper cord

**\$1,387**

MODEL # LUCERA-36X3-SLV

Set of three

Includes two 24.0" jumper cords

**\$1,953**

MODEL # LUCERA-36X4-SLV

Set of four

Includes three 24.0" jumper cords

### Features

31.7" w x 0.8" d x 0.5" h unit size

420 lumens

10 watts

3500 K color temperature

85 CRI

50,000 hrs. lamp life

Continuous dimmer

9.0' power cord

Power source is UL listed

Combination wood and magnet mounting hardware

Occupancy sensor sold separately

Warranty: 15 yr. (structural)

1 yr. (LED transformer)



## Lucera - 24"

Under cabinet LED lighting track

**\$336**

MODEL # LUCERA-24-SLV

**\$674**

MODEL # LUCERA-24X2-SLV

Set of two

Includes one 24.0" jumper cord

**\$1,010**

MODEL # LUCERA-24X3-SLV

Set of three

Includes two 24.0" jumper cords

**\$1,452**

MODEL # LUCERA-24X4-SLV

Set of four

Includes three 24.0" jumper cords

### Features

20.1" w x 0.8" d x 0.5" h unit size

250 lumens

6 watts

3500 K color temperature

85 CRI

50,000 hrs. lamp life

Continuous dimmer

9.0' power cord

Power source is UL listed

Combination wood and magnet mounting hardware

Occupancy sensor sold separately

Warranty: 15 yr. (structural)

1 yr. (LED transformer)



### Occupancy sensor

One occupancy sensor controls every daisy chained Lucera light, shutting-off all connected lights simultaneously.

When motion is detected, lights resume the last brightness setting

**\$138**

MODEL # LUCERA-OS

# UCL Mag series



## UCL Mag - 48"

Under cabinet LED lighting track

**\$256**

MODEL # UCL48MAG-BLK

### Features

35.0"w x 6.4"d x 1.5"h unit size

2100 lumens

22 watts

3500 K color temperature

80 CRI

30,000 hrs. lamp life

9.0' power cord

Power source is UL listed

Integrated magnet mounting system,  
spring bars and wood screws

Warranty: 15 yr. (structural)

1 yr. (LED transformer)



## UCL Mag - 24"

Under cabinet LED lighting track

**\$211**

MODEL # UCL24MAG-BLK

### Features

21.9"w x 6.4"d x 1.5"h unit size

1150 lumens

13 watts

3500 K color temperature

80 CRI

30,000 hrs. lamp life

9.0' power cord

Power source is UL listed

Integrated magnet mounting system,  
spring bars and wood screws

Warranty: 15 yr. (structural)

1 yr. (LED transformer)



# Under cabinet lighting

## G2 - 36"

Under cabinet LED lighting track



**\$584**

MODEL # LEDG2-36-SLV

**\$1,232**

MODEL # LEDG2-36X2-SLV

Set of two

Includes one 24.0" jumper cord

**\$1,805**

MODEL # LEDG2-36X3-SLV

Set of three

Includes two 24.0" jumper cords

## G2 - 24"

Under cabinet LED lighting track



**\$474**

MODEL # LEDG2-24-SLV

**\$942**

MODEL # LEDG2-24X2-SLV

Set of two

Includes one 24.0" jumper cord

**\$1,470**

MODEL # LEDG2-24X3-SLV

Set of three

Includes two 24.0" jumper cords

**\$1,846**

MODEL # LEDG2-24X4-SLV

Set of four

Includes three 24.0" jumper cords

## Lucera - 36"

Under cabinet LED lighting track



**\$462**

MODEL # LUCERA-36-SLV

**\$927**

MODEL # LUCERA-36X2-SLV

Set of two

Includes one 24.0" jumper cord

**\$1,387**

MODEL # LUCERA-36X3-SLV

Set of three

Includes two 24.0" jumper cords

**\$1,953**

MODEL # LUCERA-36X4-SLV

Set of four

Includes three 24.0" jumper cords

● Silver -SLV

● Silver -SLV

● Silver -SLV

25.0"w x 1.0"d x 1.2"h unit size	20.0"w x 1.0"d x 1.2"h unit size	31.7"w x 0.8"d x 0.5"h unit size
580 lumens (with diffuser) 740 lumens (without diffuser)	430 lumens (with diffuser) 550 lumens (without diffuser)	420 lumens
11.5 watts	8.5 watts	10 watts
3500 K color temperature	3500 K color temperature	3500 K color temperature
85 CRI	85 CRI	85 CRI
50,000 hrs. lamp life	50,000 hrs. lamp life	50,000 hrs. lamp life
Continuous dimmer	Continuous dimmer	Continuous dimmer
9.0' power cord	9.0' power cord	9.0' power cord
Power source is UL listed	Power source is UL listed	Power source is UL listed
360° rotation	360° rotation	—
Optical diffuser	Optical diffuser	—
Combination wood and magnet mounting hardware	Combination wood and magnet mounting hardware	Combination wood and magnet mounting hardware
Occupancy sensor G2-OS <b>\$122</b>	Occupancy sensor G2-OS <b>\$122</b>	Occupancy sensor LUCERA-OS <b>\$138</b>
Warranty: 15 yr. (structural) 1 yr. (LED transformer)	Warranty: 15 yr. (structural) 1 yr. (LED transformer)	Warranty: 15 yr. (structural) 1 yr. (LED transformer)



For more daisy chain configurations, please visit our website or contact our Customer Service Department for details.

Visit our website for additional specs, dimensional drawings, alternative images and more resources for all of ESI's products.

## Lucera - 24"

Under cabinet LED lighting track



**\$336**

MODEL # LUCERA-24-SLV

**\$674**

MODEL # LUCERA-24X2-SLV

Set of two

Includes one 24.0" jumper cord

**\$1,010**

MODEL # LUCERA-24X3-SLV

Set of three

Includes two 24.0" jumper cords

**\$1,452**

MODEL # LUCERA-24X4-SLV

Set of four

Includes three 24.0" jumper cords

## UCL Mag - 48"

Under cabinet LED lighting track



**\$256**

MODEL # UCL48MAG-BLK

## UCL Mag - 24"

Under cabinet LED lighting track



**\$211**

MODEL # UCL24MAG-BLK

● Silver -SLV

● Black -BLK

● Black -BLK

20.1"w x 0.8"d x 0.5"h unit size	35.0"w x 6.4"d x 1.5"h unit size	21.9"w x 6.4"d x 1.5"h unit size
250 lumens	2100 lumens	1150 lumens
6 watts	22 watts	13 watts
3500 K color temperature	3500 K color temperature	3500 K color temperature
85 CRI	80 CRI	80 CRI
50,000 hrs. lamp life	30,000 hrs. lamp life	30,000 hrs. lamp life
Continuous dimmer	–	–
9.0' power cord	9.0' power cord	9.0' power cord
Power source is UL listed	Power source is UL listed	Power source is UL listed
–	–	–
–	–	–
Combination wood and magnet mounting hardware	Integrated magnet mounting system, spring bars and wood screws	Integrated magnet mounting system, spring bars and wood screws
Occupancy sensor LUCERA-OS <b>\$138</b>	–	–
Warranty: 15 yr. (structural) 1 yr. (LED transformer)	Warranty: 15 yr. (structural) 1 yr. (LED transformer)	Warranty: 15 yr. (structural) 1 yr. (LED transformer)



Portable work gear

# Go where the day takes you

Stationary is so last year. Take your workspace with you with our portable work solutions—we've made them convenient, adaptable and easy to move so you can keep effort to a minimum and efficiency set to maximum.



*Product shown: Motific, Eppa, Weight Adjustable Espree, Designer White worksurfaces, Centro, FlexCharge3, Railway*





*Product shown: Birdi, Eppa2, Enmo, Designer White worksurfaces, FlexCharge3, FlexCharge9, Railway, Solution All-Fit, Motific*

# Motific™



## Motific 24.0"

Portable tech table

**\$620**

MODEL # MOF24SS-RNDDS  
MODEL # MOF24SS-RNDAW  
MODEL # MOF24SS-AMPDS  
MODEL # MOF24SS-AMPAW  
*Quick ship complete tables listed*

## Motific 26.0"

Portable tech table

**\$640**

MODEL # MOF26SS-RNDDS  
MODEL # MOF26SS-RNDAW  
MODEL # MOF26SS-AMPDS  
MODEL # MOF26SS-AMPAW  
*Quick ship complete tables listed*

### Proprietary design

Motific has been uniquely designed for ESI.

### Laptop or occasional table

Motific offers users multiple options to customize the portable tech table to meet their workspace needs. With two heights, a variety of finishes, and two top shapes, it can be tailored to work in any dynamic space.

### Expandable hook

With a built-in expandable hook, the Motific keeps your bag or coat off the floor and within reach.

### Features

Laptop or occasional table

Multiple color combinations for unique and elegant design options

Thermofoil formed top

Two available top sizes, 0.75" thick:

Round 22.0" diameter

Amorphic 25.0" width and 22.0" depth

Available heights: 24.0" and 26.0"

Includes a coat/bag hook

Non-marring, easy-to-slide glides

50 lb. weight capacity:

25 lb. for table top

25 lb. for coat/bag hook

Base dimensions:

19.7" depth

23.5" width (*widest point*)

Warranty: 15 yr. (*base*)/5 yr. (*worksurface*)

### Available base finishes

○ Silver -S

○ White -W **LT**

● Black -B **LT**

● Polished Aluminum -A **LT**

### Available column finishes

○ Silver -S

○ White -W **LT**

● Black -B **LT**

### Available tops and colors

○ Round -RND

□ Amorphic -AMP

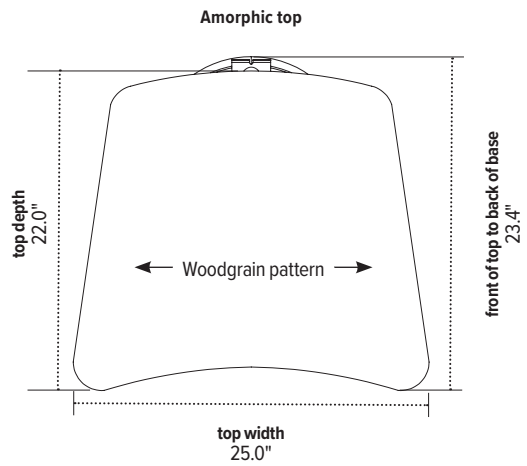
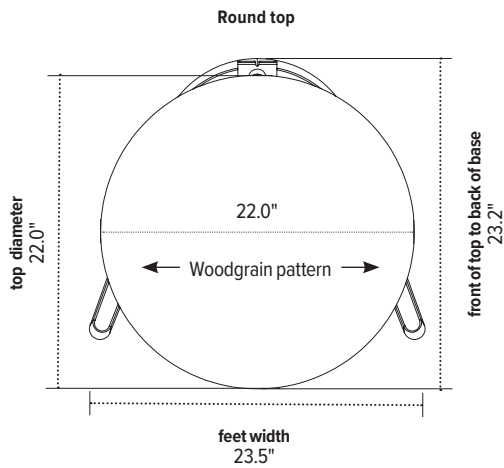
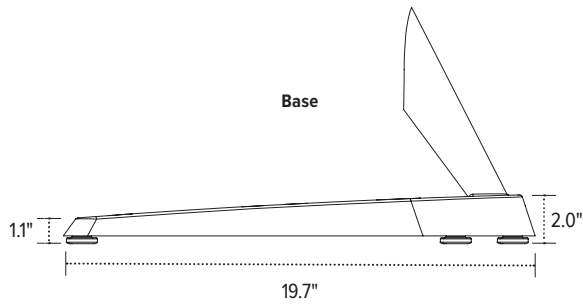
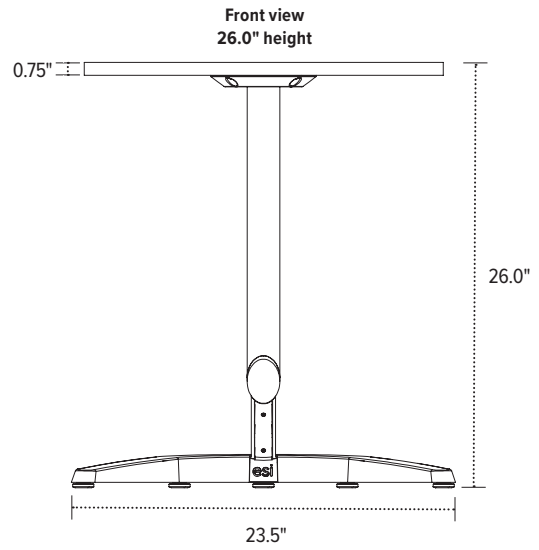
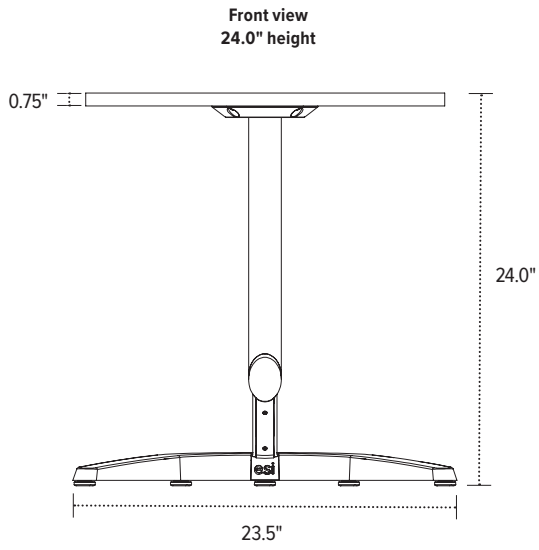
● Amati Walnut -AW

○ Designer White -DS

*Woodgrain pattern runs left to right*

*The combination of a silver column and silver base with either shape top in Amati Walnut or Designer White is available to ship in 48 hours.*





*The base dimensions as shown are actual.*

# Birdi™



## Birdi

Height adjustable perching stool

**\$421**

MODEL # BIRDI- \_ \_ \_

### Seat design

Proprietary seat cushion design reduces pressure points and is more comfortable than other perching stools.

### Durability

Made with high resiliency foam making it more durable than others, which is ideal for use in high traffic areas.

### Safety note

To ensure safety at all times, the user must keep both feet on the ground when using Birdi.

### Features

- Gas cylinder adjustment
- Push button height adjustment
- 10.0" height adjustment range
- 13.0" base diameter
- 13.3" seat diameter
- 360° swivel
- 25.6 lb. unit weight
- 275 lb. user weight capacity
- 100% polyester fabric cushion
- Self-balancing weighted base returns stool to upright position after use
- Partial assembly required
- Warranty: 15 yr. (structural); 5 yr. (foam and cylinder); 3 yr. (textile)

### Available textile colors

- Black -BLK
- Snowy Gray -GRY
- Navy -NVY
- Taupe -TPE

# WOW series



## WOW

Complete workstation-on-wheels

**\$1,539**

MODEL # WOW

Pneumatic lift platform with wire controller  
5-star base with heavy-duty casters (2 locking)  
Includes cable management system  
13.0" height adjustment for platform  
28.0"–41.0" (low/high)  
26.8" w x 22.8" d platform measurement  
28.8" diameter base measurement  
20 lb. weight capacity (including surface)  
Platform with palm rest  
Fixed monitor mount  
CPU holder  
13.0"–21.0" adjustable height  
2.5"–8.3" adjustable width  
50 lb. capacity

Warranty: 15 yr. (structural)  
2 yr. (palm rest)



## CPU Holder

Specifically for WOW series

**\$260**

MODEL # WOWCPU

Adjustable CPU holder for WOW01  
Non-porous foam material prevents CPU damage  
Can be cleaned and sanitized to maintain a germ-free environment  
50 lb. capacity  
13.0"–21.0" adjustable height  
2.5"–8.3" adjustable width  
Compatible only with the WOW/WOW01  
Warranty: 15 yr.



## WOW01

Base model workstation-on-wheels

**\$996**

MODEL # WOW01

Pneumatic lift platform with wire controller  
5-star base with heavy-duty casters (2 locking)  
Includes cable management system  
13.0" height adjustment for platform  
28.0"–41.0" (low/high)  
26.8" w x 22.8" d platform measurement  
28.8" diameter base measurement  
20 lb. weight capacity (including surface)  
Additional accessories available  
Warranty: 15 yr.



## Monitor Mount

Fixed height monitor arm for WOW series

**\$217**

MODEL # WOWMR

+90°/-25° monitor tilt  
90° portrait/landscape adjustment  
90° side-to-side rotation  
Compatible only with the WOW01  
Warranty: 15 yr.



# Mobile accessories

## Utility Cart

Rolling platform cart



**\$223**

MODEL # ACPC-1-BLK

18.8"d x 15.0"w platform

150 lb. load capacity

For printers, shredders, and other office machines

Includes non-slip pads

Four swivel caster wheels (2 locking)

Warranty: 15 yr.



## Mobile Cart

Mobile CPU holder



**\$161**

MODEL # CPUCART-1-BLK

160 lb. load capacity

Fits CPU's ranging from 3.8"–9.0" wide

CPU sits in adjustable tray

Four swivel caster wheels (2 locking)

Easy to assemble; no tools required to make adjustments

Warranty: 15 yr.







Product shown:  
WOW01, Birdi, Titan2-Edge



Wall mounted work gear

# Limitless opportunities in limited spaces

Now you can make the most out of space limitations, positioning your business for accelerated productivity and collaboration with our wall-mounted solutions. They're perfect for multiple users in shared spaces—and our wall mounted work gear allows you to tailor your workspace for peak efficiency and layout.



Product shown: Birdi, Titan2-Edge

# Titan track series



## Titan-Edge

Single track-mounted workstation

**\$1,317**

MODEL # TITAN-EDGE

Keyboard arm and monitor arm can be positioned anywhere along the wall track  
For left or right-handed users  
Keyboard tray folds up or down to save space  
Edge® monitor arm (pg. 78)

One 31.5" aluminum alloy wall track  
6.5lb.–17.6lb. monitor weight capacity  
12.0" monitor arm height adjustment range  
23.5" monitor arm extension  
24.9"w x 10.6"d keyboard platform  
23.0" keyboard arm extension  
Includes track covers to conceal cords

Warranty: 15 yr. (structural)  
2 yr. (palm rest)



## Mini CPU Holder

Specifically for Titan track series



**\$108**

MODEL # PAC-CPUMINI

3.3"–6.0" adjustable width  
55lb. load capacity  
Fits CPUs 5.0"–20.0" in overall height  
Compatible only with the Titan track series  
Warranty: 15 yr.



## Titan2-Edge

Dual track-mounted workstation

**\$1,525**

MODEL # TITAN2-EDGE

Keyboard arm and monitor arm can be positioned anywhere along the wall track  
For left or right-handed users  
Keyboard tray folds up or down to save space  
Edge® monitor arm (pg. 78)

Two 31.5" aluminum alloy wall tracks (63.0" total)  
Mini CPU holder (PAC-CPUMINI)  
6.5lb.–17.6lb. monitor weight range  
12.0" monitor arm height adjustment range  
23.5" monitor arm extension  
24.9"w x 10.6"d keyboard platform  
23.0" keyboard arm extension  
Includes track covers to conceal cords

Warranty: 15 yr. (structural)  
2 yr. (palm rest)



## Locking CPU Holder

Specifically for Titan track series



**\$481**

MODEL # PAC-CPULOCK LT

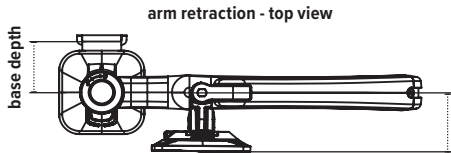
3.5"–9.3" adjustable width  
12.5"–22.5" adjustable height  
85 lb. load capacity  
Heavy duty knob with special hex key  
Compatible only with the Titan track series  
Warranty: 15 yr.



# Measurement standards

ESI standards by which we measure all monitor arms.

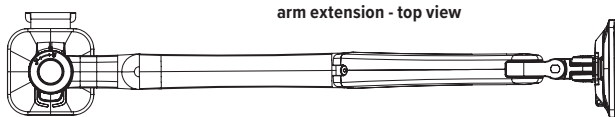
## Single monitor arm - pole mounted



arm retraction - top view

*Base depth- Mount the desk clamp so it is flush with the rear of the worksurface. Measure from the back edge of the worksurface to the center of the arm pivot.*

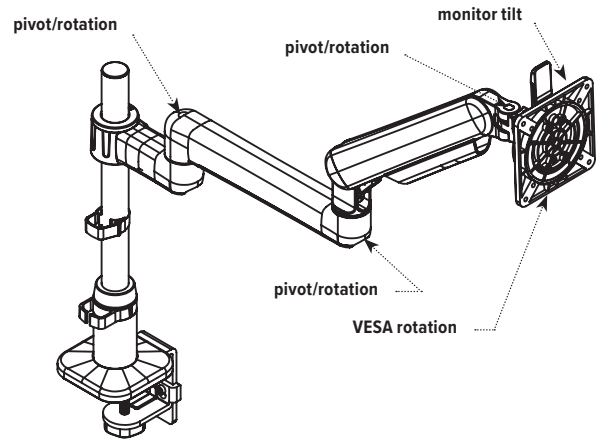
*Arm retraction- Place the arm in the retracted position as shown. Place the VESA mount parallel with the rear edge of the mounting surface. The stem should be placed so that its length is parallel to the rear edge of the mounting surface. The monitor arms should be parallel to the rear of the worksurface. The desk clamp should be placed flushed with the worksurface. Measure from the center of the VESA plate, to the rear edge of the worksurface.*



arm extension - top view

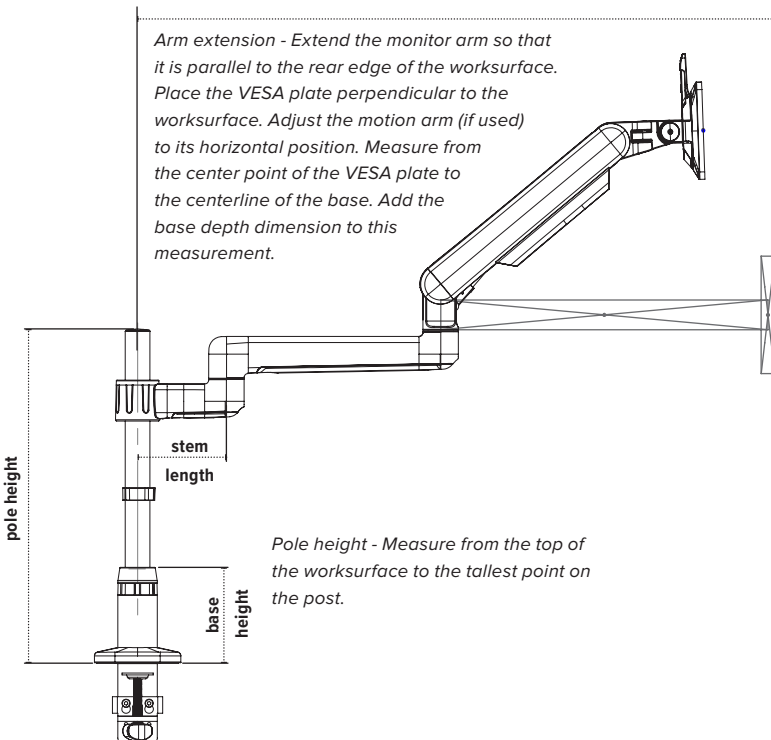
arm extension - side view

*Arm extension - Extend the monitor arm so that it is parallel to the rear edge of the worksurface. Place the VESA plate perpendicular to the worksurface. Adjust the motion arm (if used) to its horizontal position. Measure from the center point of the VESA plate to the centerline of the base. Add the base depth dimension to this measurement.*



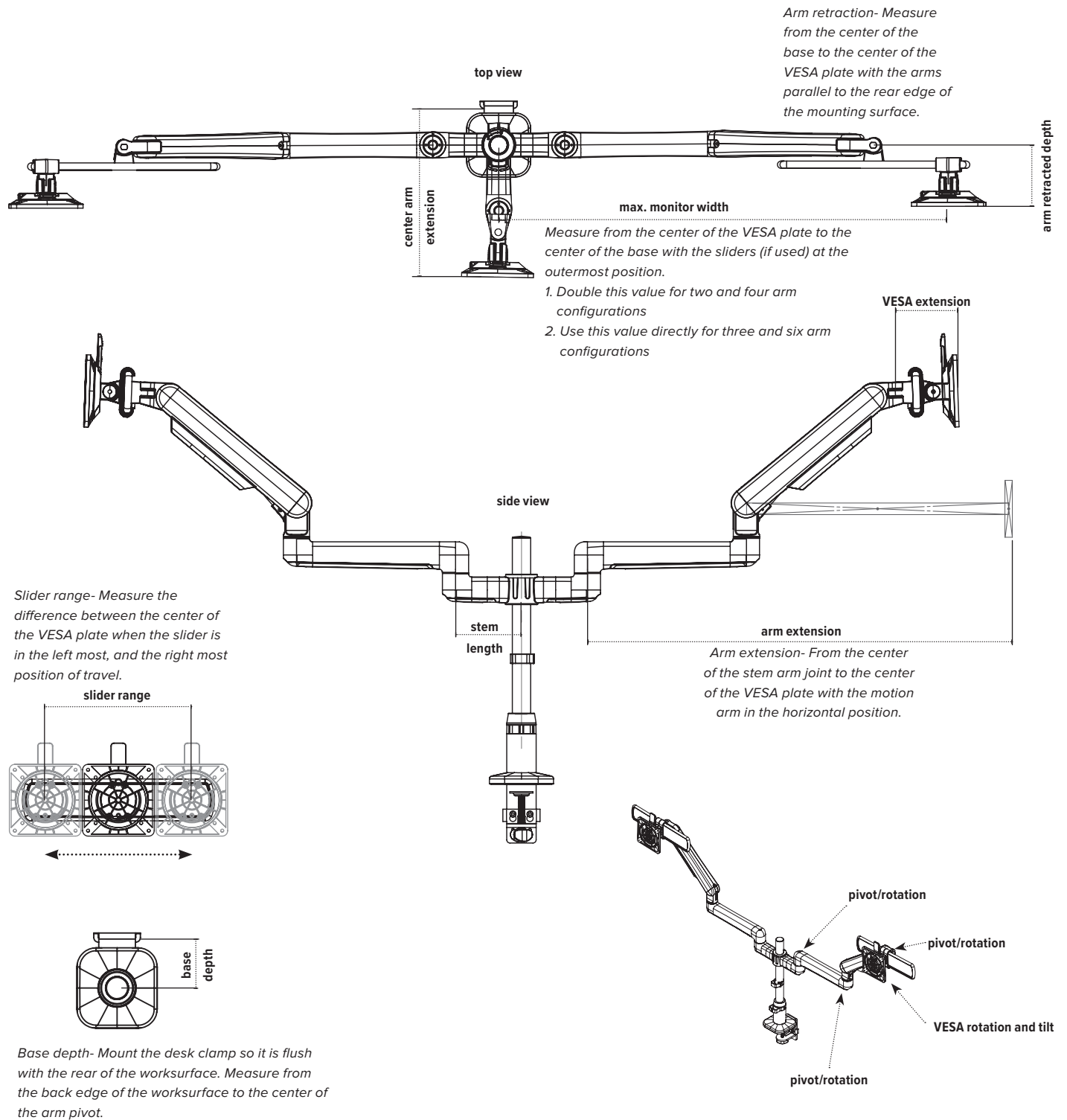
*Height adjustment range- Measure from the center point of the VESA plate to the top of the worksurface at the highest and lowest adjustment point of the motion arm. Take the difference of these two measurements.*

height adjustment range



*Pole height - Measure from the top of the worksurface to the tallest point on the post.*

## Multiple monitor arms - pole mounted

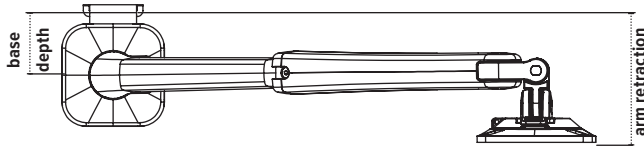


# Measurement standards

ESI standards by which we measure all monitor arms.

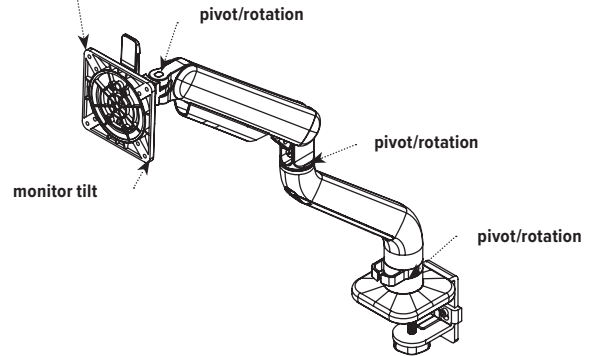
## Single monitor arm - surface mounted

*Base depth- Mount the desk clamp so it is flush with the rear of the the worksurface. Measure from the back edge of the worksurface to the center of the arm pivot.*



arm retraction - top view

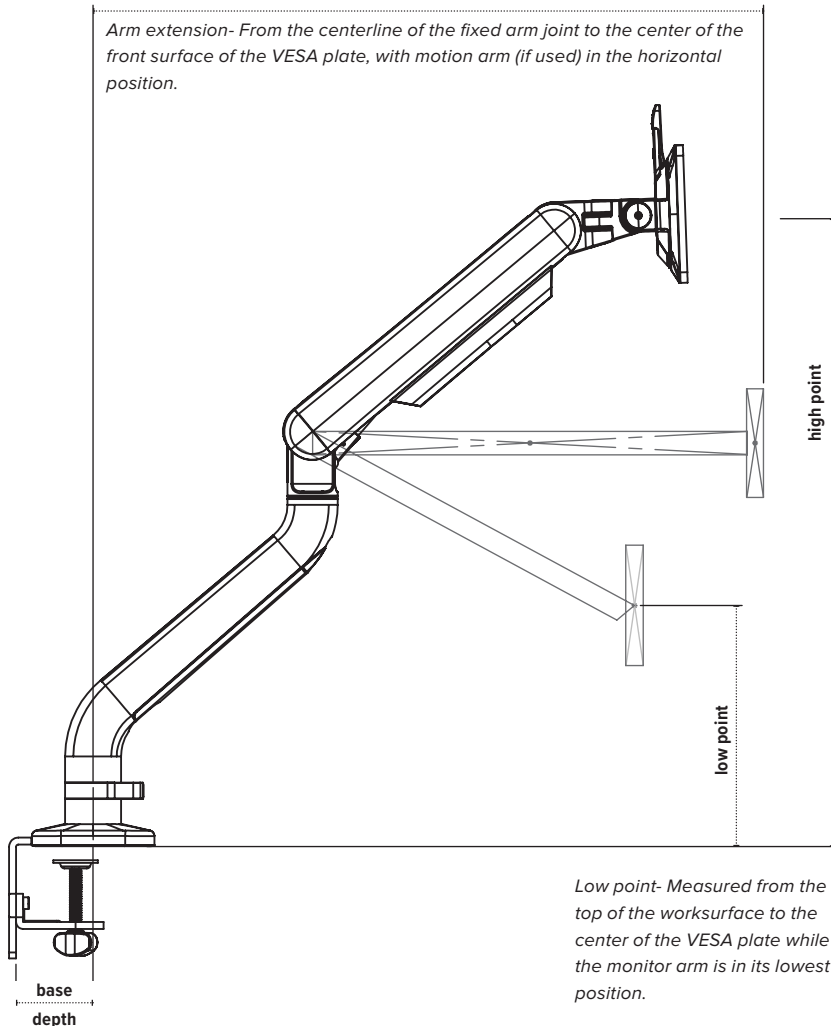
VESA rotation



*This applies for single and dual monitor arms*

arm extension - side view

*Arm extension- From the centerline of the fixed arm joint to the center of the front surface of the VESA plate, with motion arm (if used) in the horizontal position.*



*High point - Measure from the top of the worksurface to the center of the VESA plate while the monitor arm is in its highest position.*

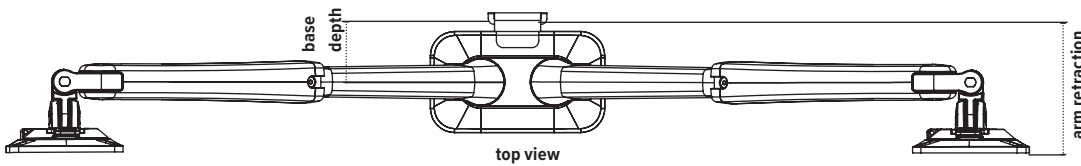
*Height adjustment range- Measure from the center point of the VESA plate to the top of the worksurface at the highest and the lowest adjustment point of the motion arm. Take the difference of these two measurements.*

*Low point- Measured from the top of the worksurface to the center of the VESA plate while the monitor arm is in its lowest position.*



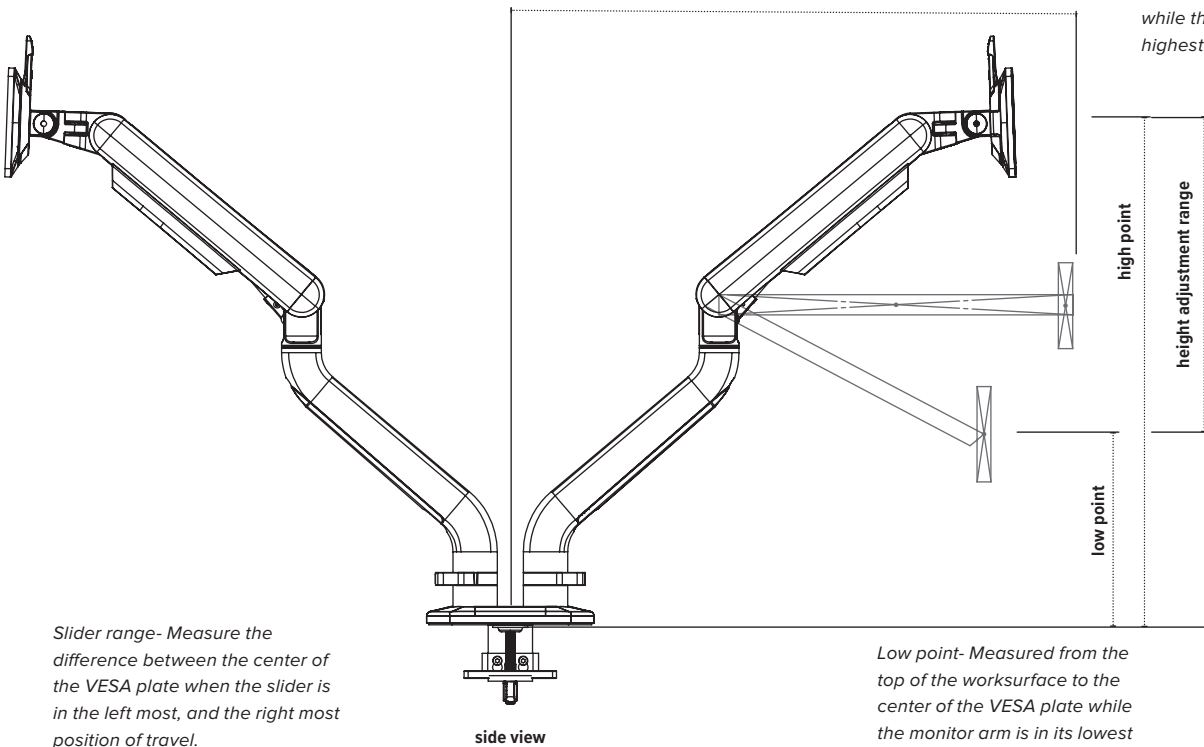
## Multiple monitor arms - surface mounted

*Base depth- Mount the desk clamp so it is flush with the rear of the worksurface. Measure from the back edge of the worksurface to the center of the arm pivot.*



*Arm retraction- Place the arm in the retracted position as shown. Place the VESA mount parallel with the rear edge of the mounting surface. The stem should be placed so that its length is parallel to the rear edge of the mounting surface. The monitor arms should be parallel to the rear of the worksurface. The desk clamp should be placed as far forward as possible. Measure from the center of the VESA plate, to the rear edge of the worksurface.*

*Arm extension- Extend the monitor arm so that it is parallel to the rear edge of the worksurface. Place the VESA plate perpendicular to the worksurface. Adjust the motion arm (if used) to its horizontal position. Measure from the center point of the VESA plate to the centerline of the base. Add the base depth dimension to this measurement.*

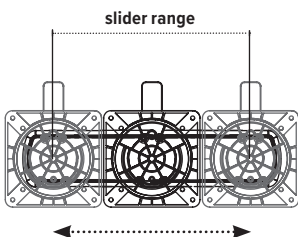


*High point- Measure from the top of the worksurface to the center of the VESA plate while the monitor arm is in its highest position.*

*Height adjustment range- Measure from the center point of the VESA plate to the top of the worksurface at the highest and the lowest adjustment point of the motion arm. Take the difference of these two measurements.*

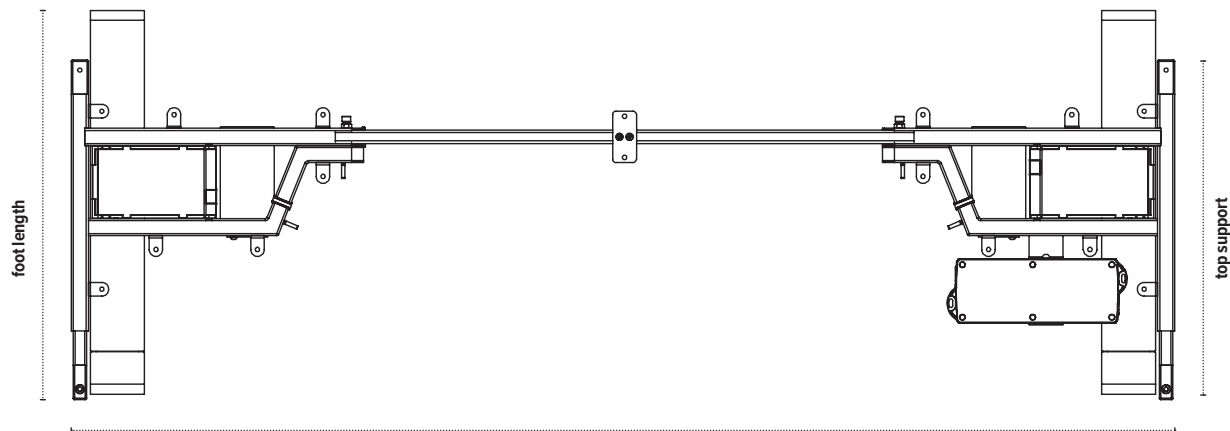
*Slider range- Measure the difference between the center of the VESA plate when the slider is in the left most, and the right most position of travel.*

*Low point- Measured from the top of the worksurface to the center of the VESA plate while the monitor arm is in its lowest position.*



# Measurement standards

ESI standards by which we measure all height adjustable tables.

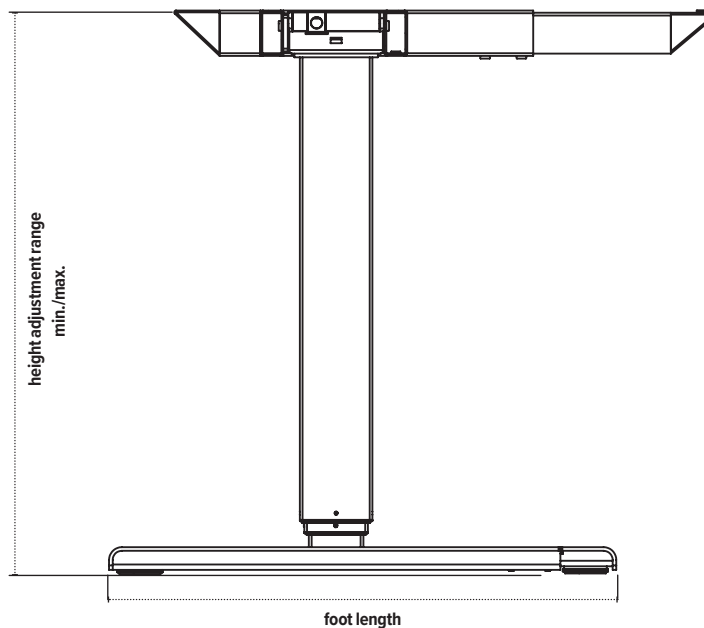


*Foot length- Measure from the front of the foot to the back of the foot. Some models have adjustable length feet.*

**frame width  
min./max.**

*Frame width- Measure from the outside of both top supports. Some base models have adjustable frame widths.*

*Height adjustment -Measure from the floor to the top of the top support. This measurement doesn't include the worksurface.*



*Measure from the front of the foot to the back of the foot. Some models have adjustable length feet.*

# Terms and conditions

For the most up-to-date product and ordering information, refer to the ESI website at [esiergo.com](http://esiergo.com).

Acceptance by Customer of delivery of products from ESI ("Products") constitutes acceptance by Customer of these terms and conditions ("Terms and Conditions"). Any additional or different terms proposed by Customer shall be deemed to have been objected to by ESI, shall be of no force or effect, and shall not be binding upon or enforceable against ESI. These Terms and Conditions constitute the entire agreement and understanding between the parties and supersede any and all prior agreements, understandings and communications with Customer, oral or written, relating to the Products. No course of dealing or course of performance, either prior to, during or after the delivery of the Products, shall be relevant or admissible by Customer to supplement, explain or vary these Terms and Conditions. The invalidity or unenforceability of any Terms and Conditions shall not affect the validity or enforceability of any other term or condition, and the remaining terms and conditions shall remain in full force and effect. No waiver, amendment or modification of these Terms and Conditions shall be binding upon or enforceable against Seller until approved in writing by an ESI Authorized Signatory.

Government Terms and Conditions vary from these Terms and Conditions. Contact our Customer Service Department or visit [esiergo.com](http://esiergo.com) for terms applicable to government purchases.

## **Discontinued products**

Due to changing market demands, ESI periodically may discontinue certain products. ESI reserves the right to change and/or discontinue products at any time without notice.

## **Payment and credit terms**

To establish an account, Customer must complete and submit ESI's New Account Application (signed by company officer), Federal Taxpayer ID (Form W-9) and State Resale Certificate. Once credit is approved, payment terms are net 30 days. Prior to Customer's credit approval (with receipt of required documents), prepayment of orders may be made by corporate check, or for convenience, credit cards (Visa, Mastercard and American Express) are accepted.

*Past Due Accounts:* Open orders or pending shipments will be held until the account is brought current. ESI reserves the right to amend account terms, at any time, based on account history. Contact our Accounting Department for details.

*Deposits:* Subject to sales, credit history, and credit lines, a deposit may be required to process large orders.

## **Purchase order submission**

Purchase Orders (POs) should be submitted via e-mail to [orders@esiergo.com](mailto:orders@esiergo.com). POs should include "Ship To" and "Bill To" information along with complete ESI product model numbers and Customer cost. Government orders require a copy of the agency PO at the time the order is placed with ESI. All POs shall be subject to written acceptance by an authorized representative of ESI. Incomplete POs or changes will delay processing and shipment until receipt of all necessary information and ESI's issuance of revised Sales Order Acknowledgment.

## **Order changes or cancellations**

All Customer cancellations and changes must be submitted to ESI in writing to [orders@esiergo.com](mailto:orders@esiergo.com). Order changes include the addition/deletion of line items or changes in quantity or requested Ship Date or Ship To address. Order changes that result in a quantity reduction may be subject to an adjustment in pricing. Change or cancellation requests are not considered accepted until ESI provides a revised Sales Order Acknowledgment. Changes may result in processing delays or shipping delays. Under no circumstances will changes or cancellations be accepted on any special order, custom product, or worksurface order without the express written consent of ESI. All such custom and special orders are non-returnable.

## **Taxes**

ESI is not responsible for the collection of sales tax on products sold to dealers. Dealers must provide Federal Taxpayer ID (Form W-9) and State Resale Certificate to establish an account with ESI. Dealers are responsible for any sales or use taxes assessed if dealer requests that ESI drop-ship direct to dealer's customer.

## **Pricing and specifications**

ESI reserves the right to revise all pricing, discounts, and freight terms, at any time, without notice. Current product pricing is included on product pages at [esiergo.com](http://esiergo.com). Prices which are in effect at the time of order shall apply. All prices in the catalog are effective March 1, 2020, and are list price and are in U.S. dollars. All measurements are accurate within 0.25". Visit ESI's website [esiergo.com](http://esiergo.com) for the most up-to-date product and ordering information, as well as additional specs, dimensional drawings, alternative images and more resources. Contact our Customer Service Department for a current Canadian Foreign Exchange Conversion Rate.

# Terms and conditions

## Shipping

### **48 hour shipping program**

ESI offers 48 hour shipping on the majority of products. Unless otherwise requested, these products are shipped from multiple shipping points throughout the U.S., within two business days of receiving the PO, depending on quantity ordered and available inventory. Orders that include products with longer lead times including special orders, custom products, or worksurface orders, are designated as "LT" (lead time) and therefore not included in the 48 hour ship program. Large orders may also require additional lead time. Products designated as LT could take up to 90 days ARO for delivery. Call for on-hand availability.

*Please note:*

1. For the order to qualify for 48 hour shipping, all products on the PO must be available under the 48 hour shipping program.
2. POs that include LT designated products will be shipped based on the lead time of the LT designated products unless otherwise requested.
3. 48 hour orders will be shipped out within two business days unless otherwise specified on the PO.
4. Worksurfaces, Motific, Centro, and Railway may arrive on a date different than the other items on the order.

### **Freight terms**

*U.S.* - Orders of \$250 list (USD) or more, ship free freight. A \$25 (USD) flat shipping fee will be incurred for orders under \$250 list (USD).

*Canada* - Orders of \$500 list (USD) or more, ship free freight. A \$50 (CAD) flat shipping fee will be incurred for orders under \$500 list (USD).

ESI ships orders by way of standard ground carrier service dock-to-dock within the contiguous 48 states. Special requests such as "call before delivery", "delivery lift gate required", residential delivery, re-routed deliveries, or specific delivery date/time requests may be subject to additional charges or may not be available. Contact our Customer Service Department for expedited delivery requests or deliveries outside of the contiguous 48 states.

Customers will be charged additional fees for changes made to orders that have already departed the facility, resulting in re-delivery or re-consignment.

ESI accepts requests for expedited freight at the customer's expense. Please contact our Customer Service Department at 800.833.3746 and provide your preferred carrier account number in which to charge the expedited freight.

### **Handling & special services**

*Cutting fee* - A fee of \$40 list will be assessed per unit for all custom cutting requests.

### **Will call**

ESI offers will call pickup at the Mesa, Arizona and Las Vegas, Nevada facilities. In both locations, will call pickups are available Monday through Friday from 7am to 3pm. Requests for will call must be included in the PO. Will call orders will be invoiced on the date requested for pickup.

### **Damage/shortage claims**

ESI packages products to reduce the risk of damage during shipment. ESI verifies order quantity and weight with the carrier before any shipments are made. When receiving an order, first confirm the quantity of cartons delivered with carrier's quantity and inspect cartons for signs of damage. The customer must notify carrier of damages or shortages at the time of delivery, or claims will not be accepted. Do not sign for the shipment until it is verified. Signing a freight bill without any notation relieves the carrier of any responsibility and serves as your acknowledgment to ESI that shipment was received in full. Discrepancies or concealed damage found upon opening the shipment must be reported to ESI in writing within five business days of delivery or Customer waives right to submit a claim. Damaged products must not be removed from point of delivery and must remain in original packaging for inspection by the carrier. ESI is not responsible for damage or discrepancies occurring after delivery. ESI reserves the right to request a return of damaged or defective products.

### **Returns**

Contact our Customer Service Department by e-mail at [customerservice@esiergo.com](mailto:customerservice@esiergo.com) or phone 800.833.3746 to request a Return Authorization (RA) form. Please have the original PO number or ESI order number available. Request for product returns must be made to ESI within 60 days of the date shipped. Products, along with a copy of the RA, must be received at ESI's warehouse within 30 days of the date of the RA issuance

to be eligible for credit. Products received after this date will not receive a credit. Custom products, products not listed in catalog or on esiergo.com, and worksurfaces are non-returnable, except for quick ship worksurfaces. Package(s) should be sent to:

ESI  
ATTN: Returns Department  
4030 East Quenton Drive, Suite 101  
Mesa, AZ 85215

- Products returned to ESI without having been issued an RA or those not meeting the return requirements will not be eligible for a credit.
- To protect your return against loss, ESI recommends choosing a carrier that will provide tracking information and the ability to insure the shipment.
- Products which have been fully or partially assembled are not returnable for credit.
- Products must be returned in undamaged, re-sellable condition and in original packaging.
- Products should be carefully repacked to avoid damage during return shipping. Claims for product damaged on the return shipment are the responsibility of the Customer.
- The Customer is responsible for freight charges associated with returns.

Upon receipt, the product will be inspected to ensure it meets ESI's return guidelines. Once approved, Customer's account will be credited appropriately. No credit will be issued for unauthorized product returns or those not meeting return guidelines. Do not make any adjustments to your account until receipt of ESI Credit Memo. Costs associated with installation, return shipping, etc. of returned products will not be reimbursed. Please allow up to 30 days for returns processing.

### **Warranty**

ESI grants a limited warranty to the End-users of its Products, the terms of which are included with each Product. Customer's remedies set forth herein are exclusive and the liability of ESI with respect to the breach of the Agreement or these Terms and Conditions shall not exceed the price of the Product or part on which such liability is based. IN NO EVENT SHALL ESI BE LIABLE TO CUSTOMER FOR ANY INCIDENTAL, CONSEQUENTIAL,

INDIRECT, STATUTORY, SPECIAL, EXEMPLARY, OR PUNITIVE DAMAGES, INCLUDING, BUT NOT LIMITED TO, LOST PROFITS, LOSS OF USE, LOSS OF TIME, INCONVENIENCE, LOSS BUSINESS OPPORTUNITIES, DAMAGE TO GOOD WILL OR REPUTATION, OR LOSS OF DATA, ARISING OUT OF, OR AS A RESULT OF, THE SALE, DELIVERY, SERVICING, USE OR LOSS OF THE PRODUCTS SOLD HEREUNDER, REGARDLESS OF WHETHER SUCH LIABILITY IS BASED ON BREACH OF CONTRACT, TORT, STRICT LIABILITY OR OTHERWISE, AND EVEN IF ADVISED OF THE POSSIBILITY OF SUCH DAMAGES OR SUCH DAMAGES COULD HAVE BEEN REASONABLY FORESEEN. Correction of any nonconformity in the manner and for the period provided shall constitute complete fulfillment of all liabilities of ESI, with respect to or arising out of the Product furnished hereunder. No claim by Customer of any kind including, but not limited to, claims for indemnification, whether as to quality or amount of Product delivered or non-delivery, shall be greater in amount than the purchase price for the Products in respect of which damages are claimed.

THIS LIMITED WARRANTY IS IN LIEU OF ALL OTHER REPRESENTATIONS, WARRANTIES OR CONDITIONS, EXPRESS OR IMPLIED, AND ESI MAKES NO OTHER WARRANTIES OR REPRESENTATIONS TO CUSTOMER OR ANY OTHER PERSON OF ANY KIND, WHETHER EXPRESS OR IMPLIED, WITH RESPECT TO THE PRODUCTS, AND ESI SPECIFICALLY DISCLAIMS ALL IMPLIED REPRESENTATIONS, WARRANTIES OR CONDITIONS, WITHOUT LIMITATION, INCLUDING, BUT NOT LIMITED TO, THE IMPLIED WARRANTIES OF MERCHANTABILITY, FITNESS FOR A PARTICULAR PURPOSE, NON-INFRINGEMENT, NON-INTERFERENCE, AND ALL OTHER WARRANTIES ARISING FROM COURSE OF DEALING OR USAGE OF TRADE. PRODUCTS SOLD HEREUNDER ARE SOLD ONLY TO THE SPECIFICATIONS SPECIFICALLY SET FORTH BY ESI IN WRITING. ESI'S SOLE OBLIGATION FOR A REMEDY TO CUSTOMER SHALL BE REPAIR OR REPLACEMENT OF NON-CONFORMING PRODUCTS, AS SET FORTH ABOVE. CUSTOMER ASSUMES ALL RISK WHATSOEVER AS TO THE RESULT OF THE USE OF PRODUCTS PURCHASED, WHETHER USED ALONE OR IN COMBINATION WITH OTHER PRODUCTS OR SUBSTANCES.



# Terms and conditions

**All ESI products are covered under a 15 year warranty, except the components and products listed below:**

10 years: Eppa™ series monitor arm

7 years: Electric table components and motors; Crank mechanisms; Counterbalance mechanisms; Railway™ series (electrical); Centro™

5 years: Laminated worksurfaces; S2S; Birdi™ foam and cylinder; FlexCharge™ series

3 years: Climb series, Birdi textiles

2 years: Palm rests; Mouse pads

1 year: Pencil drawers; LED transformers

## **Warranty labor**

For products purchased on or after March 1, 2020, ESI shall pay for all warranty labor costs pre-approved by the Company. The payment of such pre-approved labor costs will be in the form of a credit against future purchases.

## **Intellectual property**

Customer acknowledges that ESI is the owner of intellectual property related to certain Products, including the registered trademarks and other trademarks (the "Marks") and proprietary designs and patterns, patents and/or pending patent applications, if any, used in connection with its Products (collectively, "Intellectual Property"). Customer shall not use the Marks or any part thereof as part of Customer's name, nor register any name, including domain names, or mark confusingly similar to the Marks. Customer acknowledges that it is not being licensed any right or interest of any kind in the Marks and that Customer may not use same without the prior, written consent of ESI. ESI reserves the right to discontinue deliveries of any products, the manufacture, sale or use of which would, in ESI's opinion, infringe upon any U.S. patent, trademark or design now or hereinafter issued, registered, or existing and under which ESI is not licensed.

## **Relationship of parties**

The relationship of the Parties hereto is that of vendor and purchaser. Nothing in these Terms and Conditions, and no course of dealing between the Parties, shall be construed to create any other type of relationship. Accordingly, Customer shall not

be empowered to bind ESI in any way, to incur any liability or otherwise act on behalf of ESI.

## **Governing law**

These Terms and Conditions shall be governed by the laws of the State of Illinois, without giving effect to the principles of conflicts of law of such state, and shall be binding upon the Parties hereto in the United States and worldwide.

ESI and Customer agree that any legal action arising out of or relating to this agreement or the transactions contemplated by this agreement shall be brought in either the United States District Court in and for the Eastern Division of the Northern District of Illinois or the Circuit Court in and for DuPage County, Illinois, and consents to personal jurisdiction of such courts over them in any such action. Customer waives any defense or inconvenient forum to the maintenance of any such action or proceeding so brought and waives any bond, surety, or other security that might be required of ESI.

## **Severability**

If any clause or portion of these Terms and Conditions shall be held by a court of competent jurisdiction to be illegal, invalid, or unenforceable, the remaining clauses or portions shall remain in full force and effect.

## **Force majeure**

ESI shall not be liable hereunder for any failure or delay in the performance of its obligations under these Terms and Conditions, if such failure or delay is on account of causes beyond its control, including labor disputes, civil commotion, contagion, war, fires, floods, inclement weather, governmental regulations or controls, casualty, government authority, strikes, or acts of God, in which event the ESI shall be excused from its obligations for the period of the delay and for a reasonable time thereafter. ESI shall use reasonable efforts to notify the other Party of the occurrence of such an event within five business days of its occurrence.



esi

**Fellowes** | FAMILY BUSINESS  
Brands. SINCE 1917



© 2020 Fellowes, Inc.