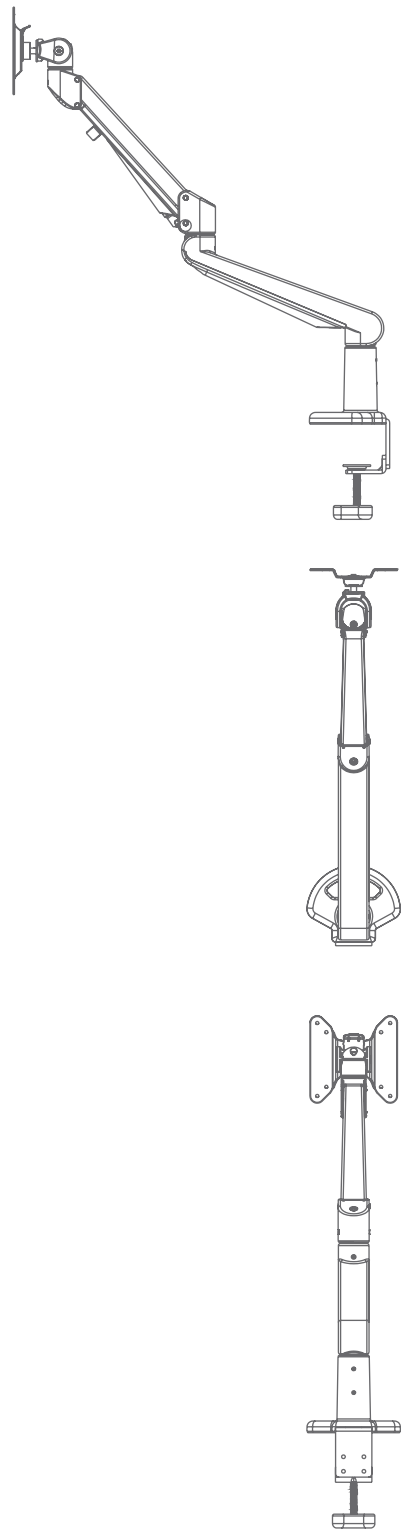
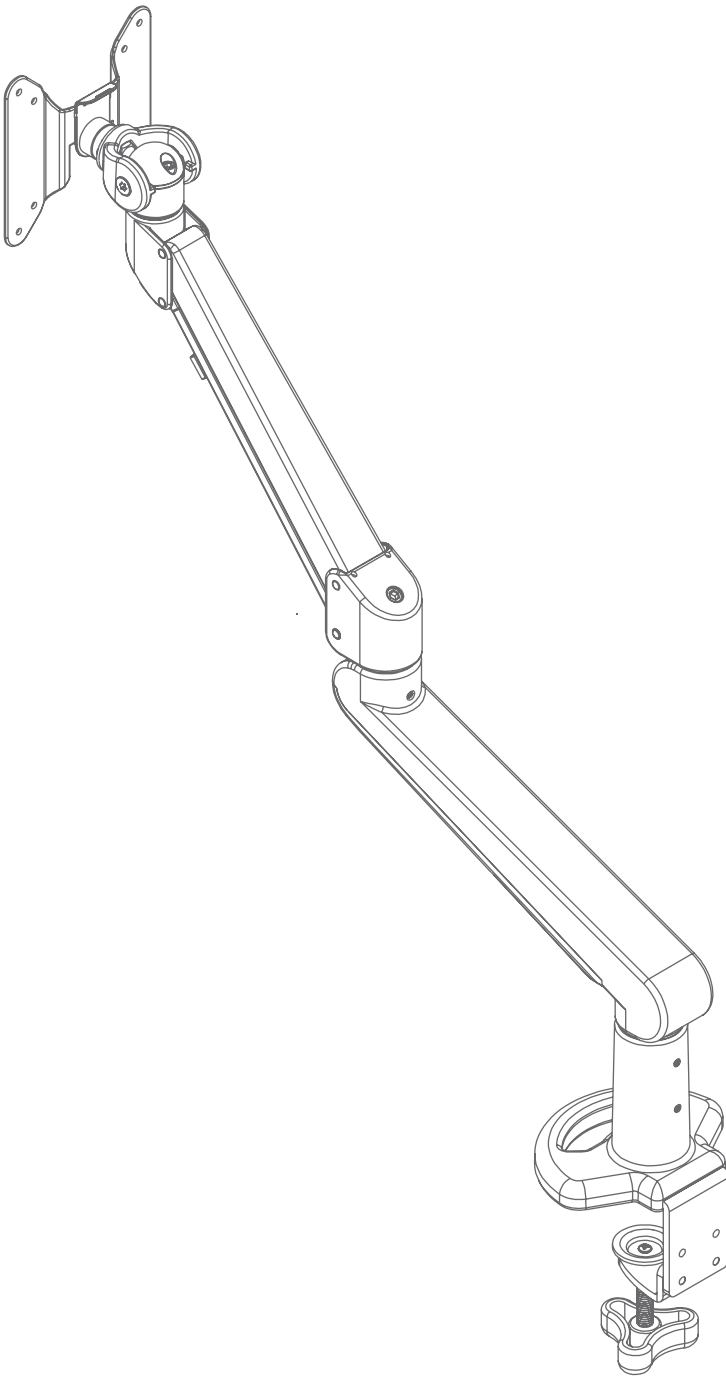


EDGE: Disassembly Instructions

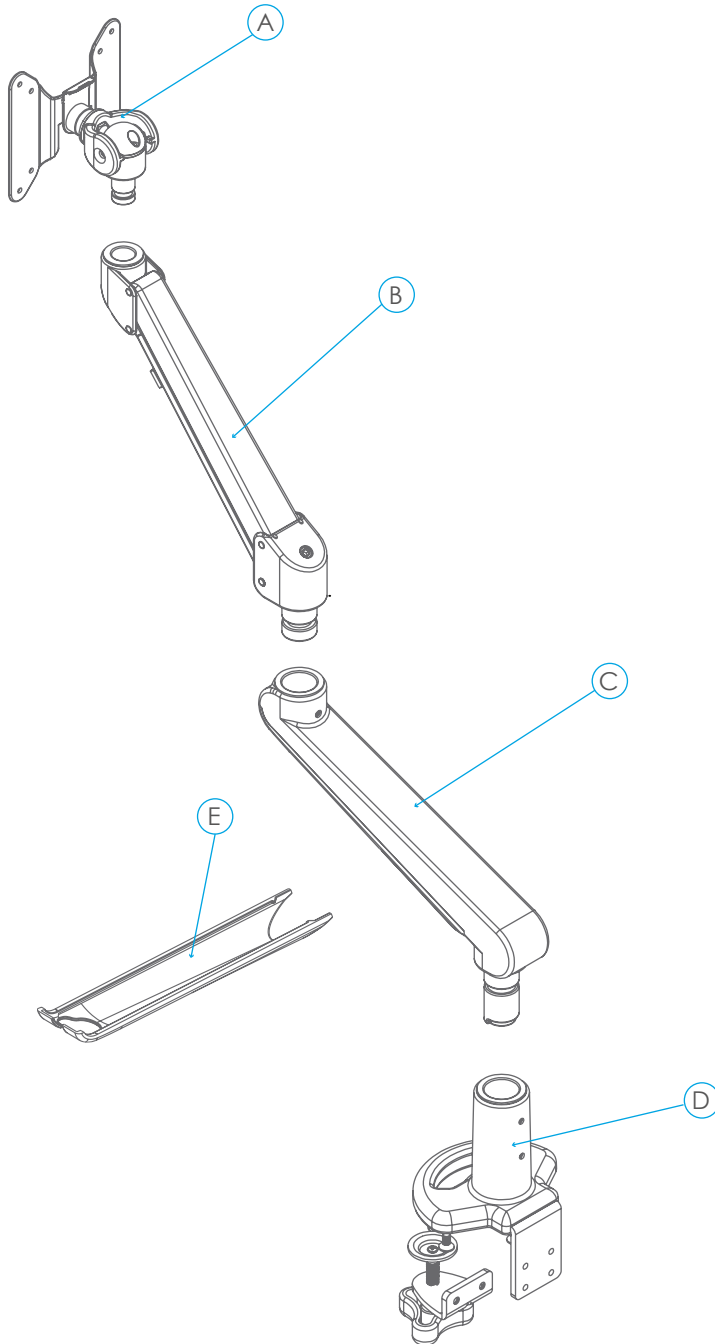
EDGE SERIES Assembled

APPLIES TO: Edge, Edge-wall, Edge-Slat, Edge-Max, Vesa, Vesa-HVY



EDGE / EVOLVE SERIES: Disassembly Instructions

EDGE / EVOLVE SERIES Components for breakdown



Material Identification

A: Vesa Plate

- Steel 

B: Motion Arm

- Steel 

C: Fixed Arm

- Steel 

D: Desk Clamp

- Plastic

E: Wire Management Channel

- Plastic

Recommended Tools



Gloves



Goggles



2mm Allen Wrench



4mm Allen Wrench



Phillips Screwdriver