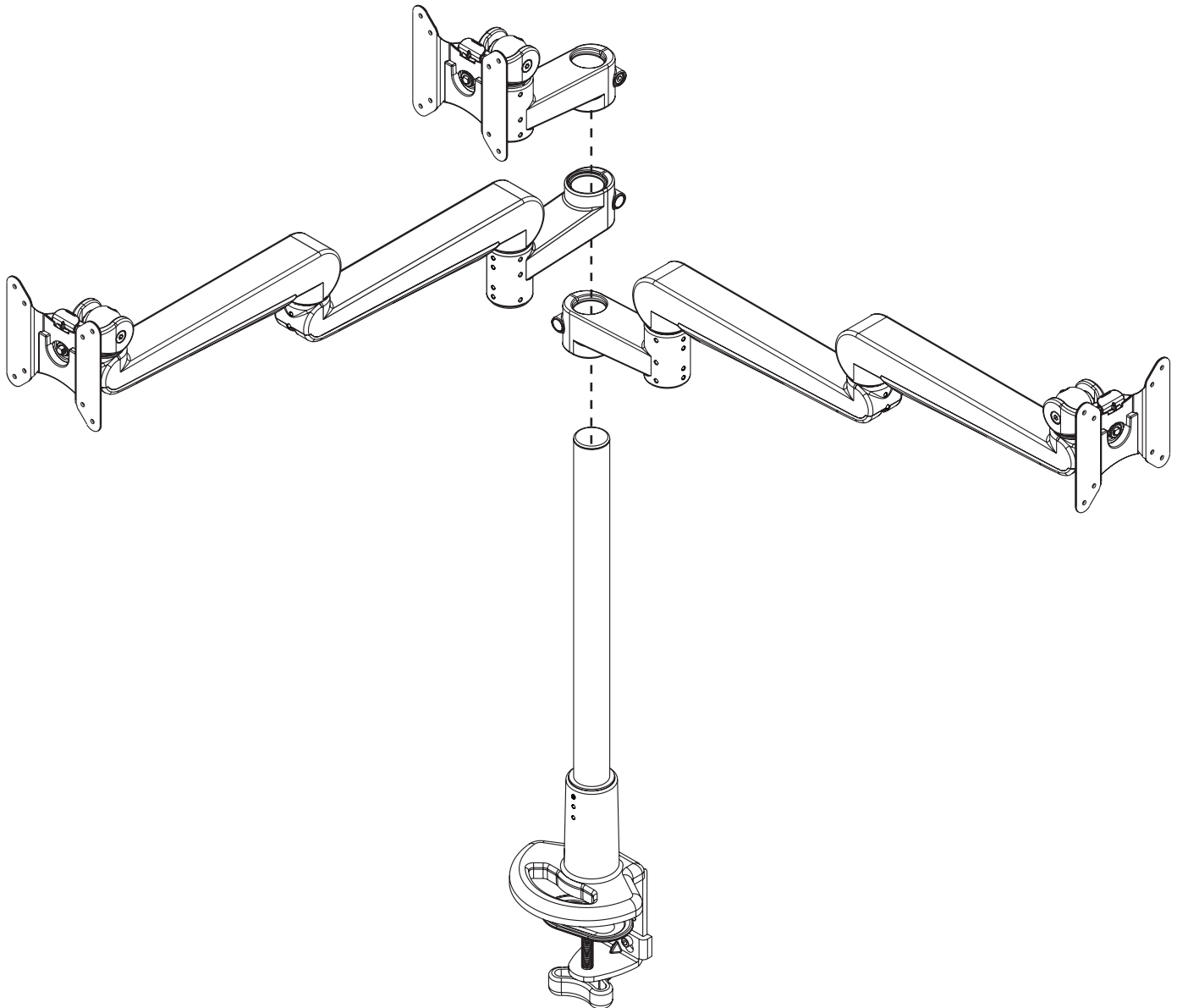


esi

Universal assembly and operation instructions

Evolve

Monitor arm series





Caution

- The monitors should not be positioned behind the mounting location of the base.
- If the monitor arm is installed on a desk or table with open space behind the arms, it is recommended to install the 180° lockout screws.
- Hand tighten screws only. Do not use power tools.



Basic components

Basic components..... 4

Configurations

F - Fixed / FS - Fixed Slider

- EVOLVE1-F (SINGLE) 6
- EVOLVE1-FS (SINGLE)..... 6
- EVOLVE2-F (DUAL) 6
- EVOLVE2-FS (DUAL)..... 6

M - Motion / MS - Motion Slider

- EVOLVE1-M (SINGLE)7
- EVOLVE1-MS (SINGLE).....7
- EVOLVE2-M (DUAL)7
- EVOLVE2-MS (DUAL).....7

FF - Fixed Fixed / FFS - Fixed Fixed Slider

- EVOLVE1-FF (SINGLE) 8
- EVOLVE1-FFS (SINGLE)..... 8
- EVOLVE2-FF (DUAL)..... 8
- EVOLVE2-FFS (DUAL) 8
- EVOLVE3-FF (TRIPLE) 8
- EVOLVE3-FFS (TRIPLE)..... 8

FM - Fixed Motion / FMS - Fixed Motion Slider

- EVOLVE1-FM (SINGLE) 9
- EVOLVE1-FMS (SINGLE) 9
- EVOLVE2-FM (DUAL)..... 9
- EVOLVE2-FMS (DUAL) 9
- EVOLVE3-FM (TRIPLE)..... 9
- EVOLVE3-FMS (TRIPLE) 9

Assembly steps

1. Pole mount.....10
2. Arm stems13
3. Attach arms.....14
4. Display mounts16
5. Attach display.....18
6. Adjust tension19
7. Lock features.....20
8. Cable management.....22

Other

Allen key storage.....23

Notes

For quad and six display configurations, a 28" pole is required.

QUAD DISPLAYS: Repeat the **DUAL ASSEMBLY (EVOLVE2)** on the 28" pole.

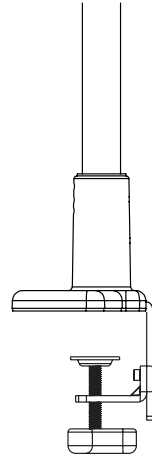
EVOLVE4-M	EVOLVE4-FF	EVOLVE4-FM
EVOLVE4-MS	EVOLVE4-FFS	EVOLVE4-FMS

SIX DISPLAYS: Repeat the **TRIPLE ASSEMBLY (EVOLVE3)** on the 28" pole.

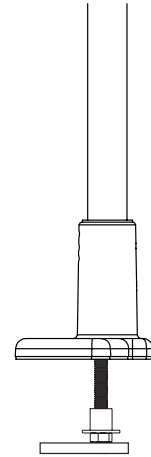
EVOLVE6-FF	EVOLVE6-FM
EVOLVE6-FFS	EVOLVE6-FMS



Pole mounts

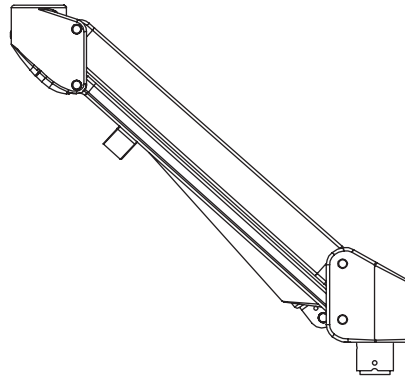


Desk clamp

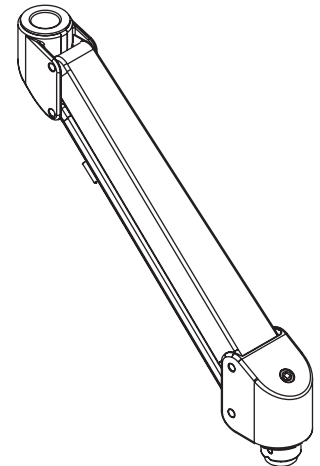


Grommet mount

Motion arm

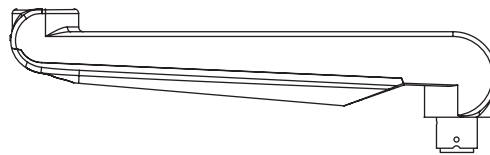


Profile view

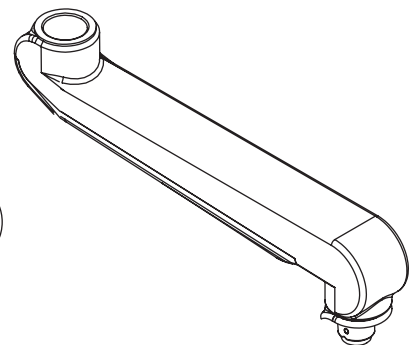


Angle view

Fixed arm



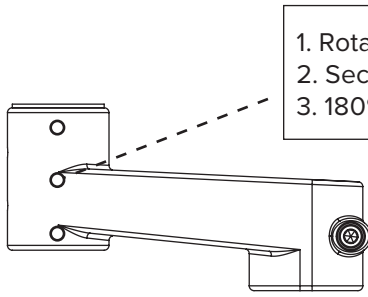
Profile view



Angle view

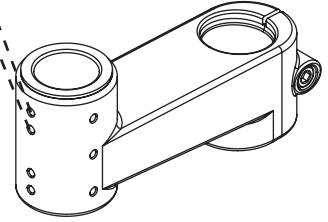


Arm stem



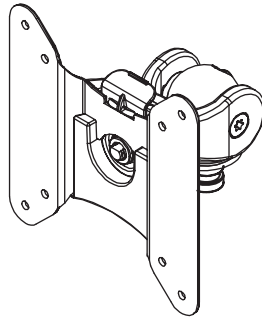
Profile view

- 1. Rotation tension adjustment
- 2. Secure arms
- 3. 180° lock-out



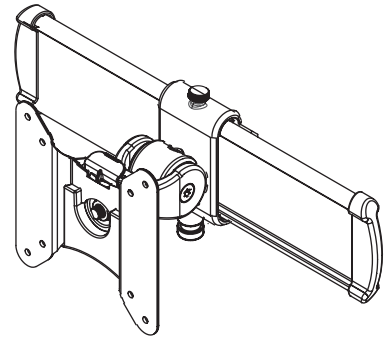
Angle view

VESA mount



Display mount

Slider mount



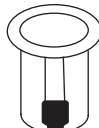
Display mount

Standard bushing



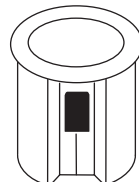
Preinstalled on *stem arm*
& *fixed arm*

Small bushing



For *VESA* & *slider mounts*

Reducer bushing



For *VESA* & *slider mounts*

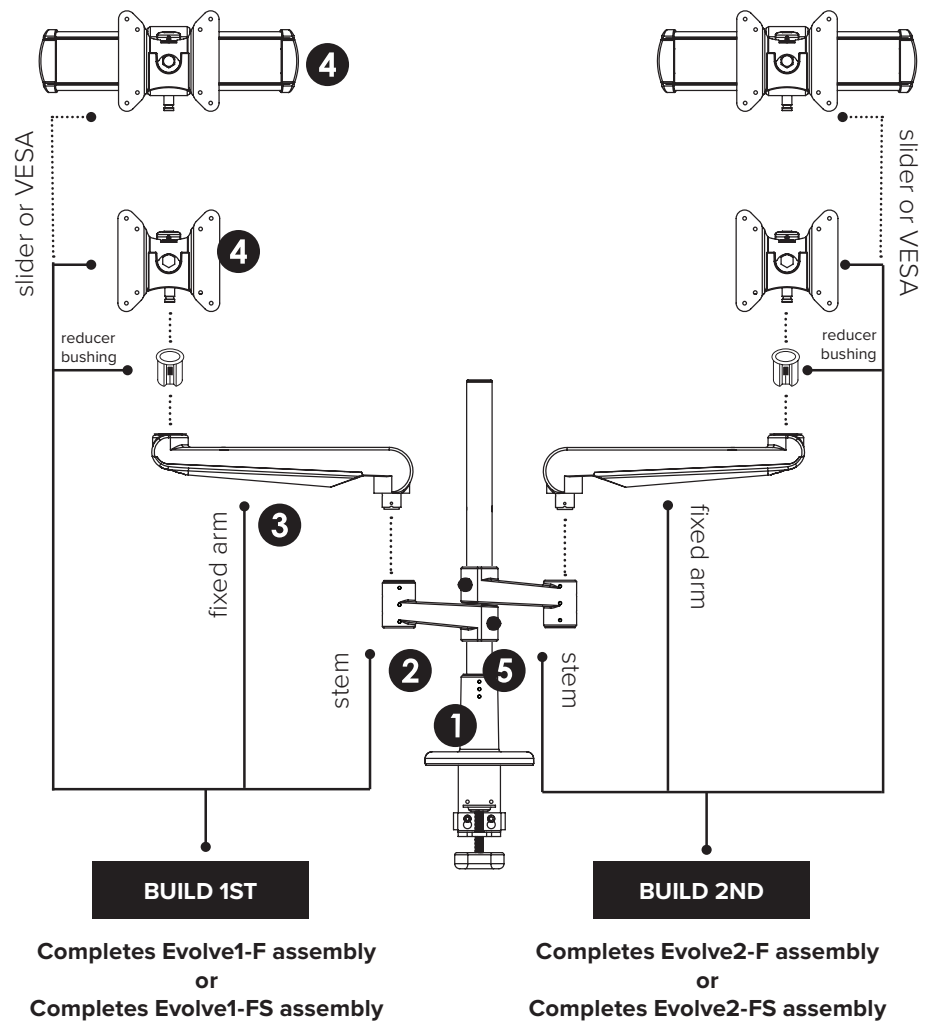


Evolve1-F Evolve1-FS Evolve2-F Evolve2-FS

More complete instructions for part assembly can be found on the page numbers listed below.

This may include, but is not limited to, screws, adjustment knobs, bushings and surface protection.

- 1 Pole mount (PG. 10)**
Secure pole mount to work surface.
- 2 Arm stem (PG. 13)**
Slide stem arm over pole and secure in place with the 5mm Allen key.
- 3 Fixed arm (PG. 14)**
Insert fixed arm to arm stem.
- 4 VESA or slider (PG. 17)**
Attach reducer bushing to vesa or slider. Insert vesa or slider to fixed arm.
- 5 Dual (PG. 13)**
For dual display configurations, reverse the second stem arm on the pole, then repeat configuration on second stem arm.
- 6 VESA plate (PG. 18)**
Attach VESA plate to back of monitor.
- 7 Quick release (PG. 18)**
Attach displays using the quick release feature.
- 8 Tension (PG. 19)**
Adjust tension on VESA or slider.



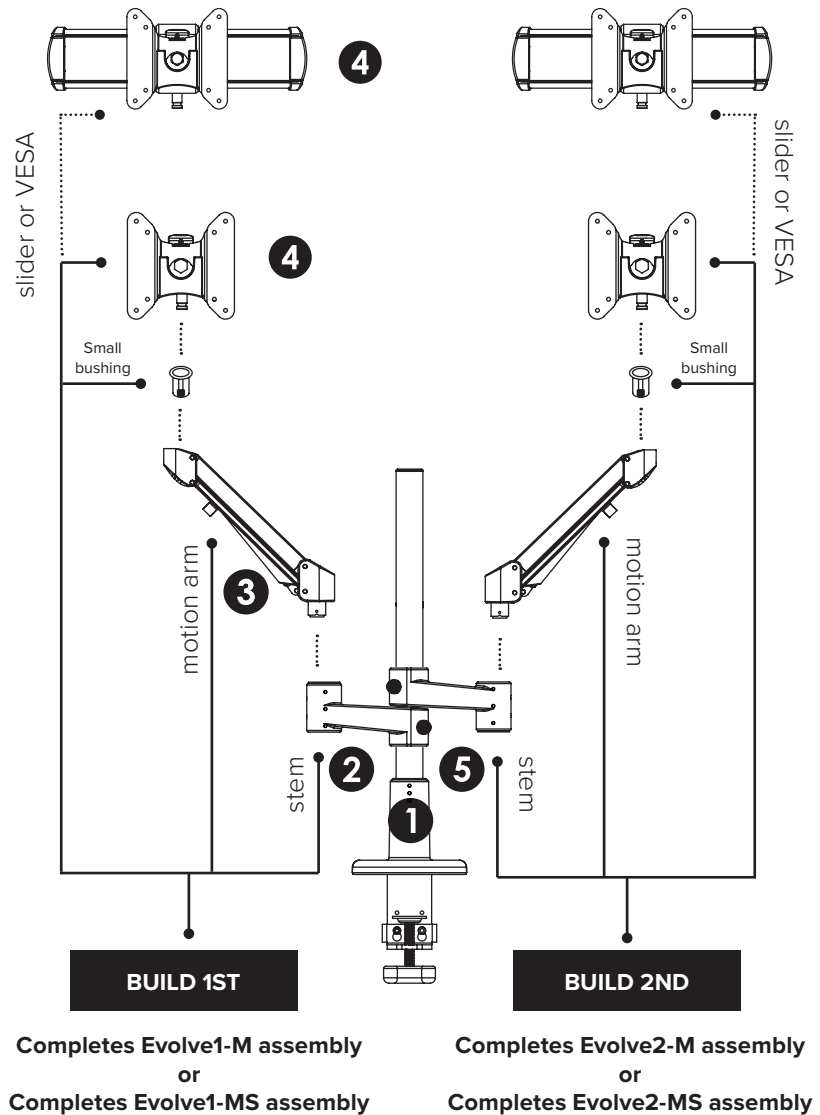


Evolve1-M Evolve1-MS Evolve2-M Evolve2-MS

More complete instructions for part assembly can be found on the page numbers listed below.

This may include, but is not limited to, screws, adjustment knobs, bushings and surface protection.

- 1 Pole mount (PG. 10)**
Secure pole mount to work surface.
- 2 Arm stem (PG. 13)**
Slide stem arm over pole and secure in place with the 5mm Allen key.
- 3 Motion arm (PG. 14)**
Insert motion arm to arm stem.
- 4 VESA or slider (PG. 17)**
Attach reducer bushing to vesa or slider. Insert VESA or slider to motion arm.
- 5 Dual (PG. 13)**
For dual display configurations, reverse the second arm stem on the pole. then, repeat configuration on second stem arm.
- 6 VESA plate (PG. 18)**
Attach VESA plate to back of monitor.
- 7 Quick release (PG. 18)**
Attach displays using the quick release feature.
- 8 Tension (PG. 19)**
Adjust tension on VESA or slider.



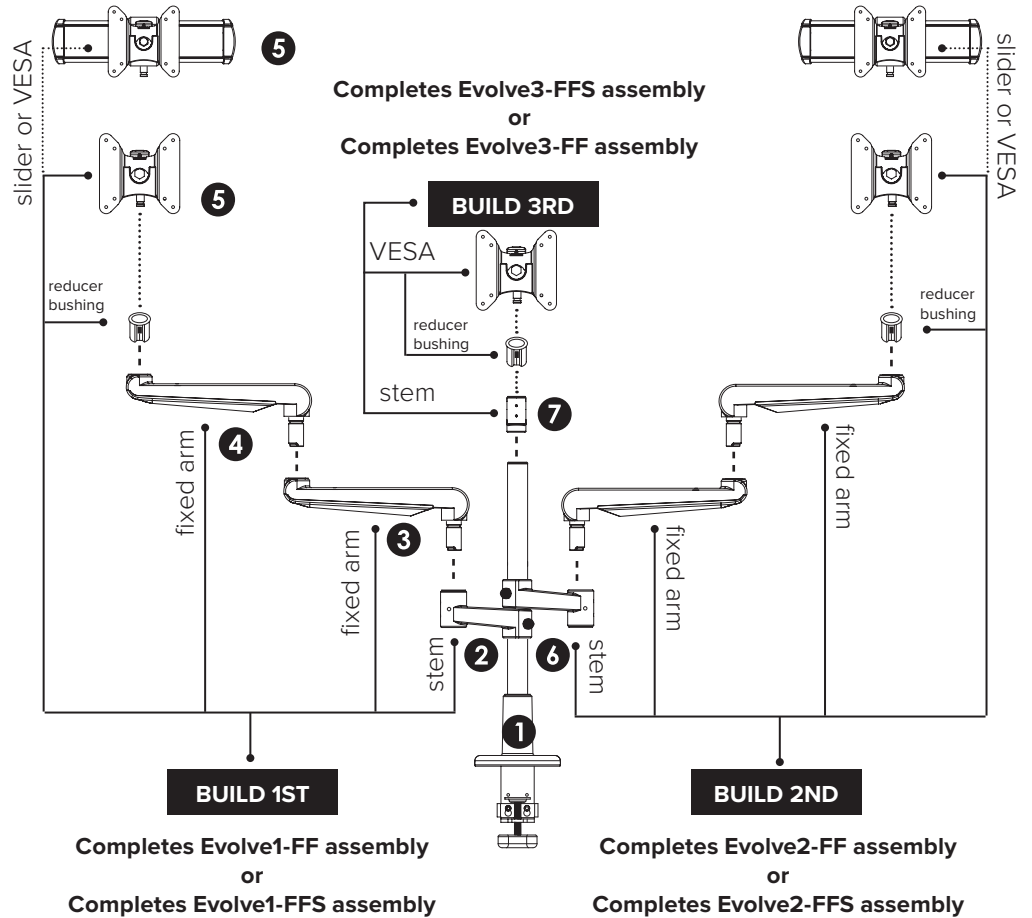


More complete instructions for part assembly can be found on the page numbers listed below.

This may include, but is not limited to, screws, adjustment knobs, bushings and surface protection.

- 1 Pole mount (PG. 10)**
Secure pole mount to work surface.
- 2 Stem arm (PG. 13)**
Slide stem arm over pole and secure in place with the 5mm Allen key.
- 3 Fixed arm (PG. 14)**
Insert fixed arm to stem arm.
- 4 Fixed arm (PG. 15)**
Insert fixed arm to fixed arm.
- 5 VESA or slider (PG. 17)**
Attach reducer bushing to VESA or slider. Insert VESA or slider to fixed arm.
- 6 Dual (PG. 13)**
For dual display configurations, reverse the second stem arm on the pole. then, repeat configuration on second stem arm.
- 7 Triple (PG. 13)**
For triple display configurations, reverse the second stem arm on the pole, then add a third stem arm.

(pg. 16) Attach reducer bushing to vesa and insert vesa to third stem arm.
- 8 VESA plate (PG. 18)**
Attach VESA plate to back of monitor.
- 9 Quick release (PG. 18)**
Attach displays using the quick release feature.
- 10 Tension (PG. 19)**
Adjust tension on VESA and/or slider.



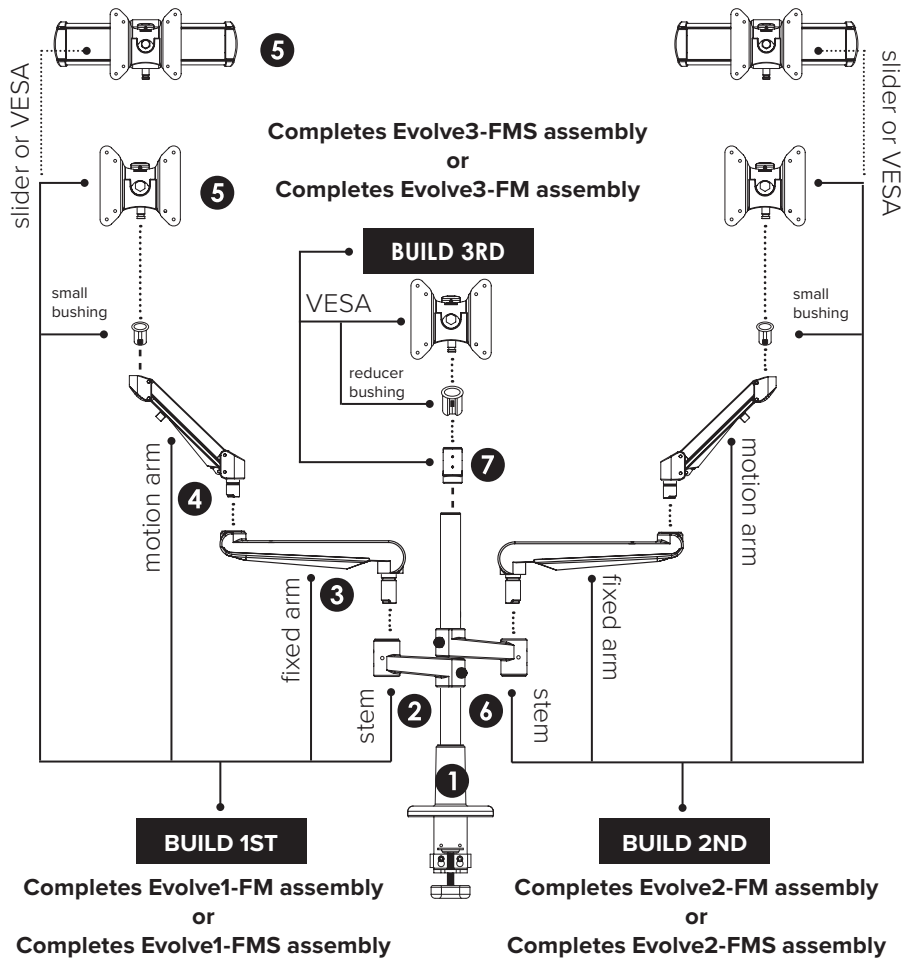


More complete instructions for part assembly can be found on the page numbers listed below.

This may include, but is not limited to, screws, adjustment knobs, bushings and surface protection.

- 1 Pole mount (PG. 10)**
Secure pole mount to work surface.
- 2 Stem arm (PG. 13)**
Slide stem arm over pole and secure in place with the 5mm Allen key.
- 3 Fixed arm (PG. 14)**
Insert *fixed arm* to *stem arm*.
- 4 Motion arm (PG. 15)**
Insert motion arm to fixed arm.
- 5 Vesa or Slider (PG. 17)**
Attach small bushing to VESA or slider. Insert VESA or slider to motion arm.
- 6 Dual (PG. 13)**
For dual display configurations, reverse the second stem arm on the pole. Then, repeat configuration on second stem arm.
- 7 Triple (PG. 13)**
For triple display configurations, reverse the second stem arm on the pole, then add a third stem arm.

(PG. 16) Attach reducer bushing to VESA and insert VESA to third stem arm.
- 8 VESA plate (PG. 18)**
Attach VESA plate to back of monitor.
- 9 Quick release (PG. 18)**
Attach displays using the quick release feature.
- 10 Tension (PG. 17)**
Adjust tension on motion arm.
Adjust tension on VESA and/or slider.





You will receive parts to accommodate either the desk clamp mount or the grommet mount.

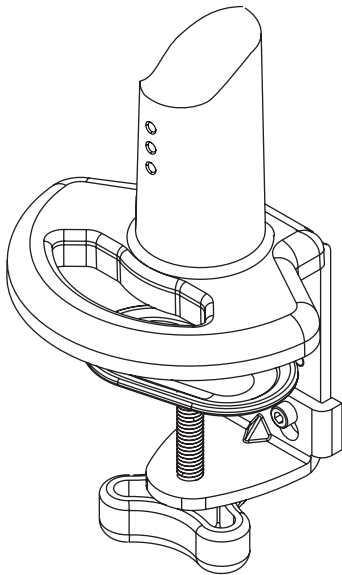
1

Option 1

Desk clamp (PG.11)

Secure pre-assembled desk clamp mount
to work surface.

For worksurfaces between
0.6" - 2.99" thick.



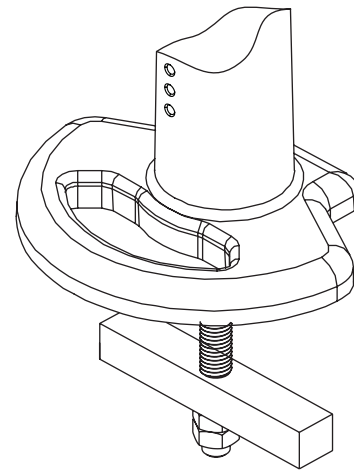
2

Option 2

Grommet mount (PG. 12)

Convert the desk clamp mount to a
grommet mount

For worksurfaces up to
1.5" thick.



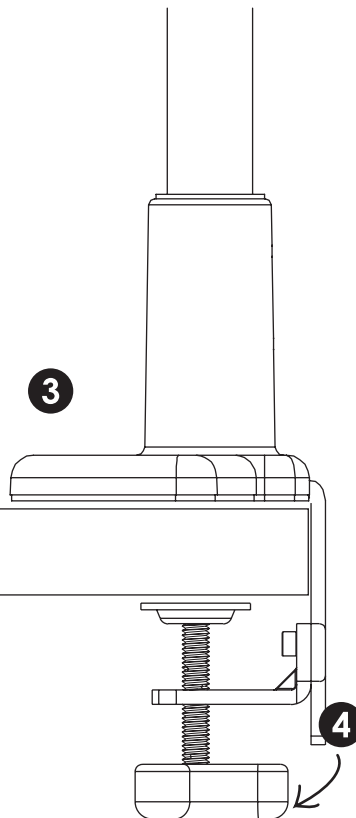
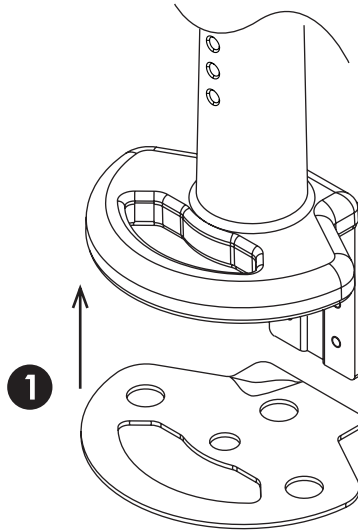


1 Step 1
Adhere the adhesive pad underneath the base to protect the worksurface.

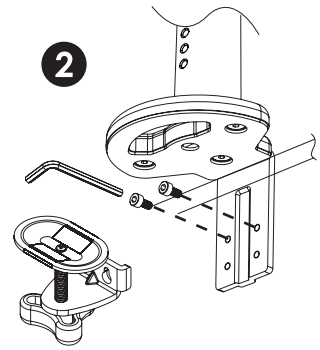
2 Step 2 (optional)
Adjust clamp positioning to accommodate a thicker worksurface.

3 Step 3
Slide onto worksurface to desired position.

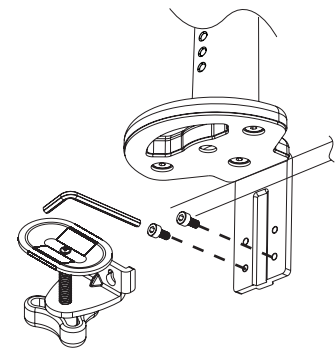
4 Step 4
Twist to tighten the desk clamp on the worksurface.



Optional adjustment for thicker worksurfaces 1.38"-2.99"



Step 2A
Remove the clamping component from the upper position with the 4mm Allen key.

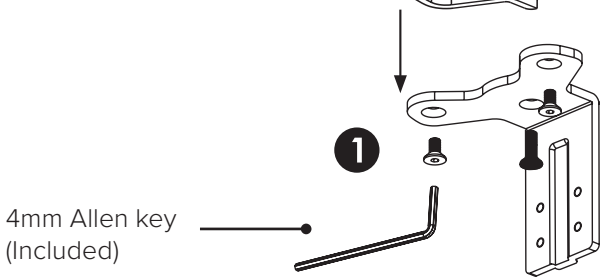


Step 2B
Replace the clamping component in the lower position and secure with the 4mm Allen key.



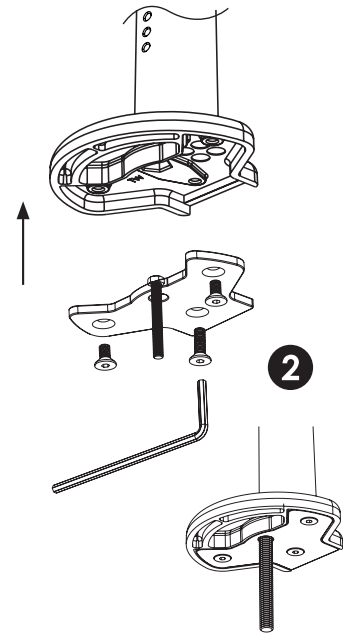
1

Step 1
Remove the 3 screws with the 4mm Allen key.



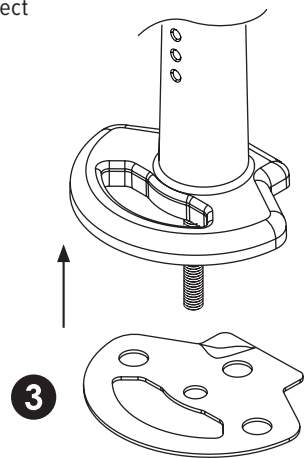
2

Step 2
Insert the large screw to the grommet plate and reattach the 3 screws with the 4mm Allen key.



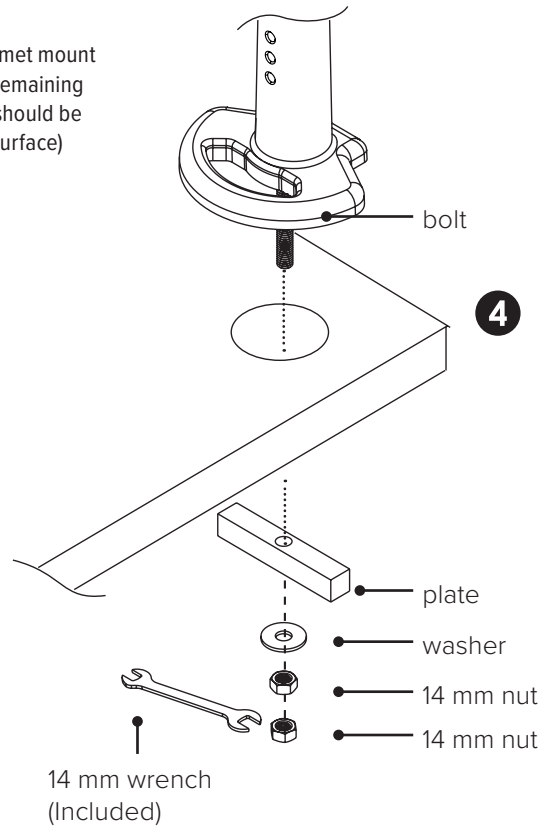
3

Step 3
Adhere the adhesive pad underneath the base to protect the worksurface.



4

Step 4
Complete the grommet mount assembly with the remaining components. (bolt should be visible under worksurface)

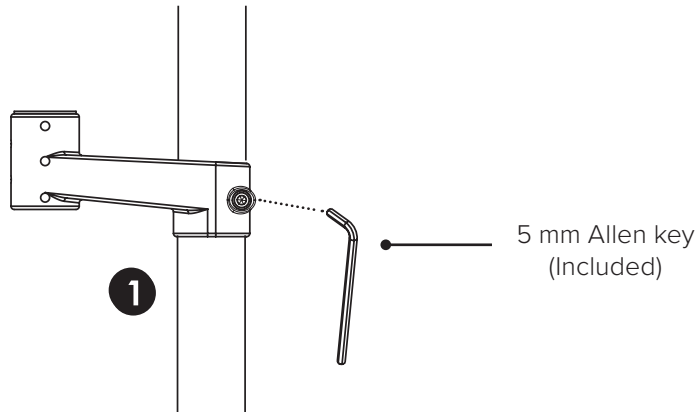




Each diagram/step may not be applicable to your product configuration.

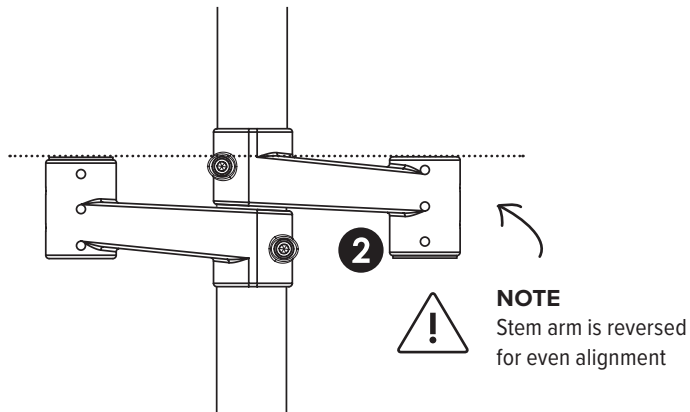
Single display configuration

- 1 Step 1**
Slide stem arm over pole and secure with the 5mm Allen key.



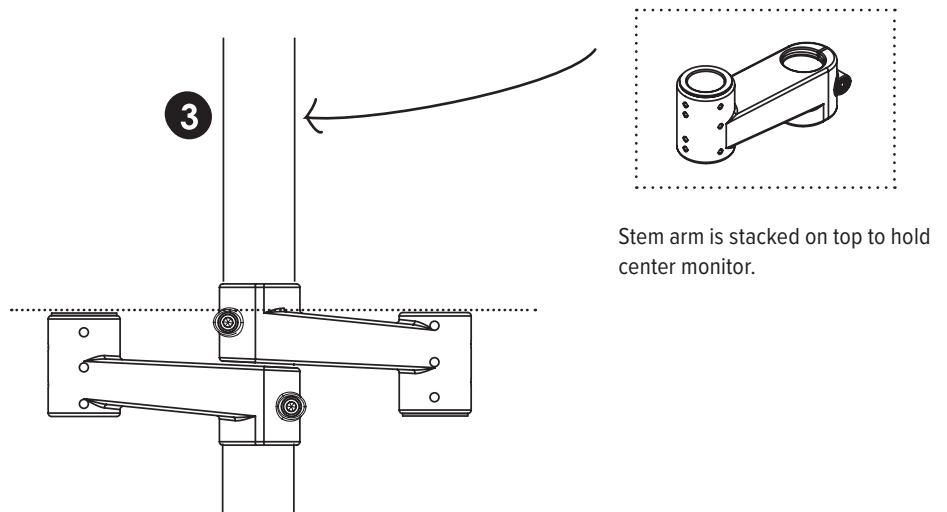
Dual display configuration

- 2 Step 2**
Reverse the second stem arm over pole as shown and secure with the 5mm Allen key.



Triple display configuration

- 3 Step 3**
Slide VESA stem arm over pole and secure with the 5mm Allen key.

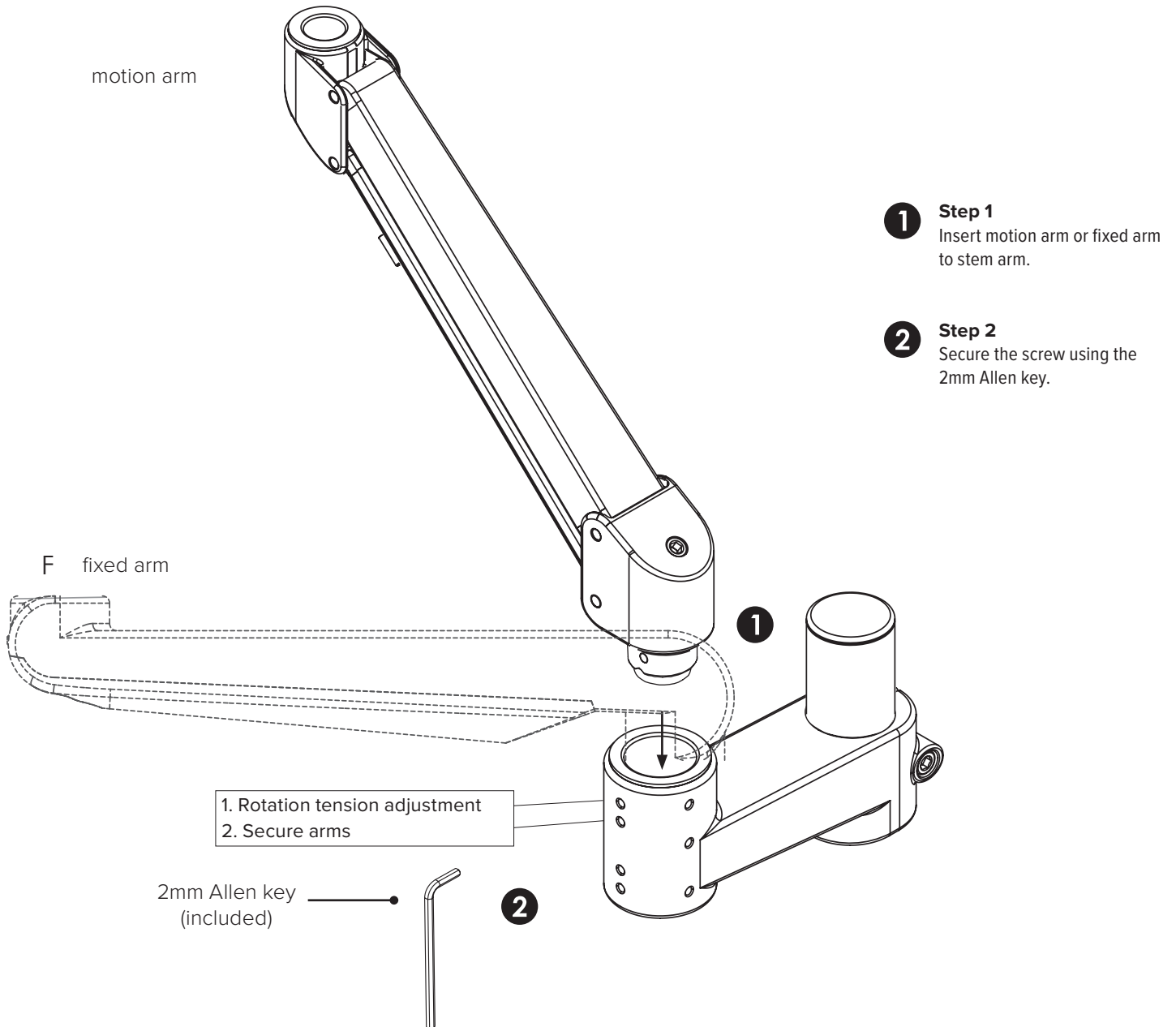


NOTE: arm stems must be secured to pole before attaching additional components



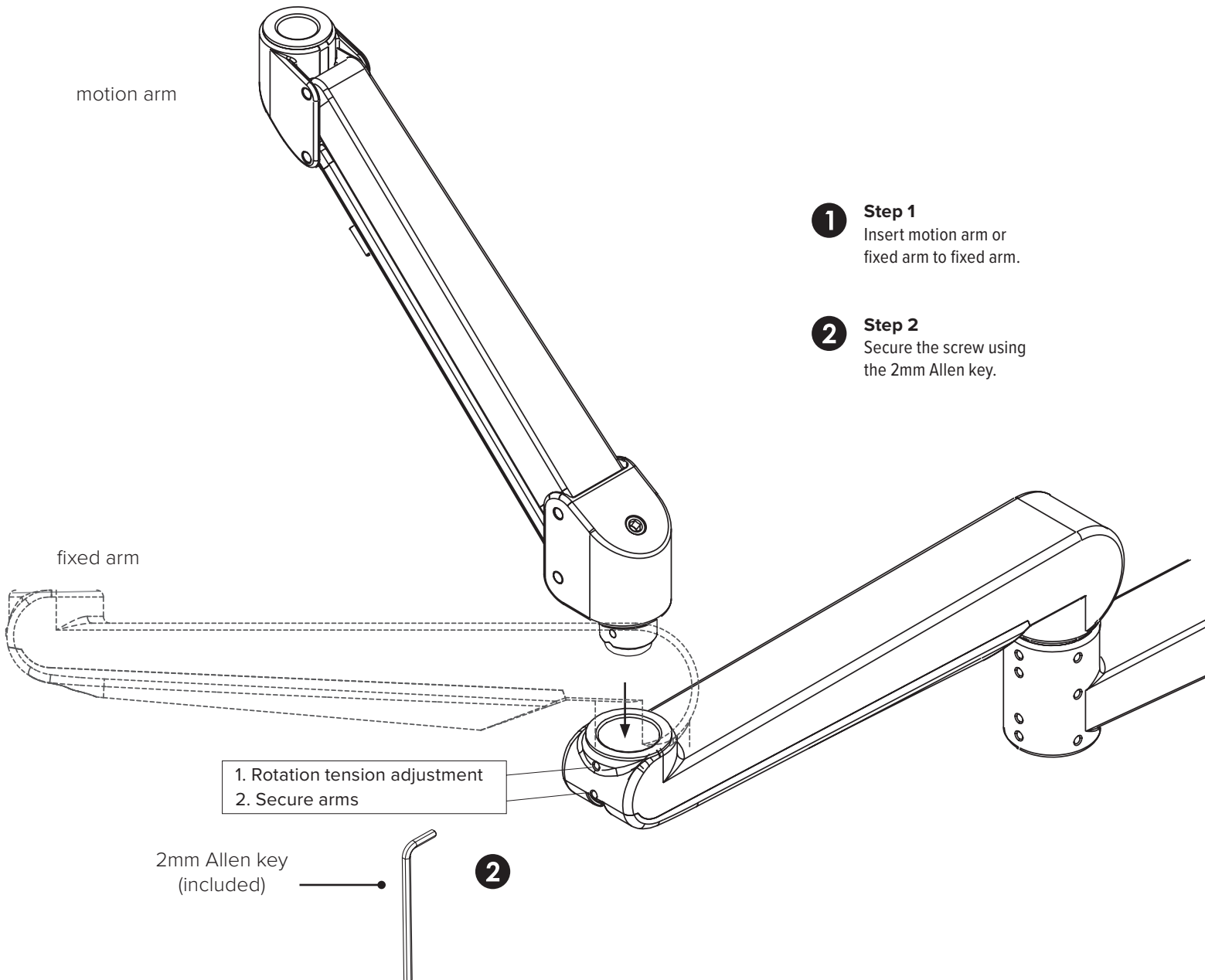
Each diagram/step may not be applicable to your product configuration.

Insert a motion arm or fixed arm into a stem arm.





Insert a motion arm or fixed arm into a fixed arm

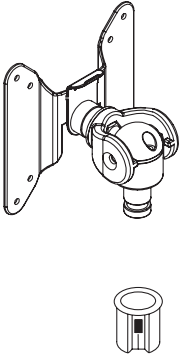


- 1 Step 1**
Insert motion arm or fixed arm to fixed arm.

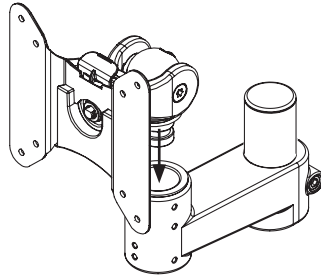
- 2 Step 2**
Secure the screw using the 2mm Allen key.



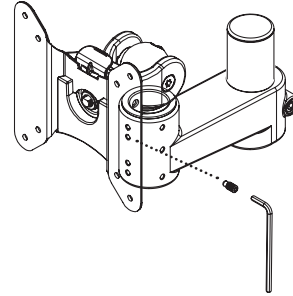
Insert VESA to a stem arm.



1 Step 1
Attach reducer bushing onto VESA mount. For detailed instructions on how to attach the reducer bushing please reference the slider mount instructions.



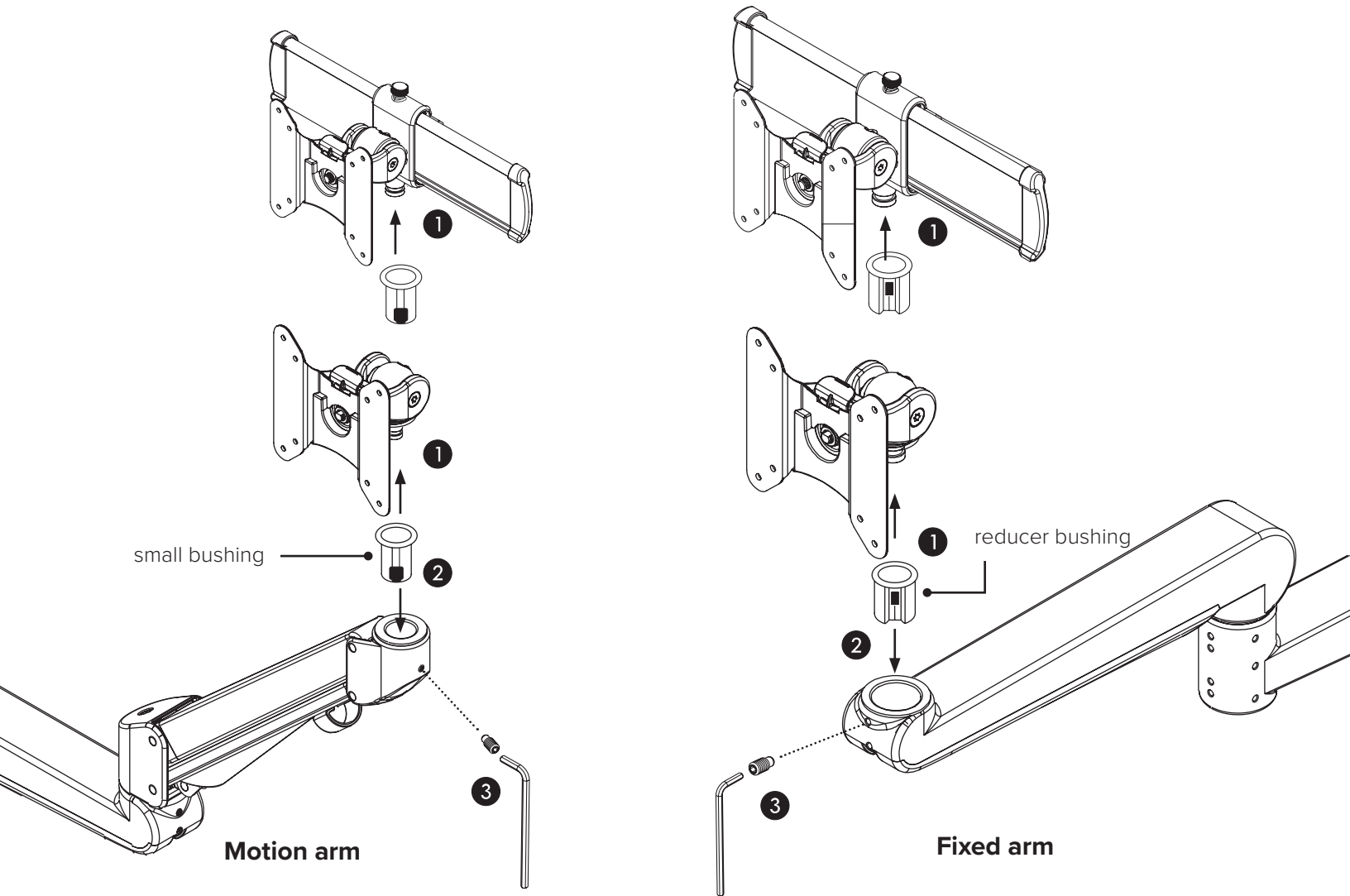
2 Step 2
Insert VESA mount to arm stem.



3 Step 3
Secure the screw using the 2mm Allen key.



Insert VESA or slider to a motion or fixed arm.



1 Step 1
Attach bushing
onto VESA or slider.

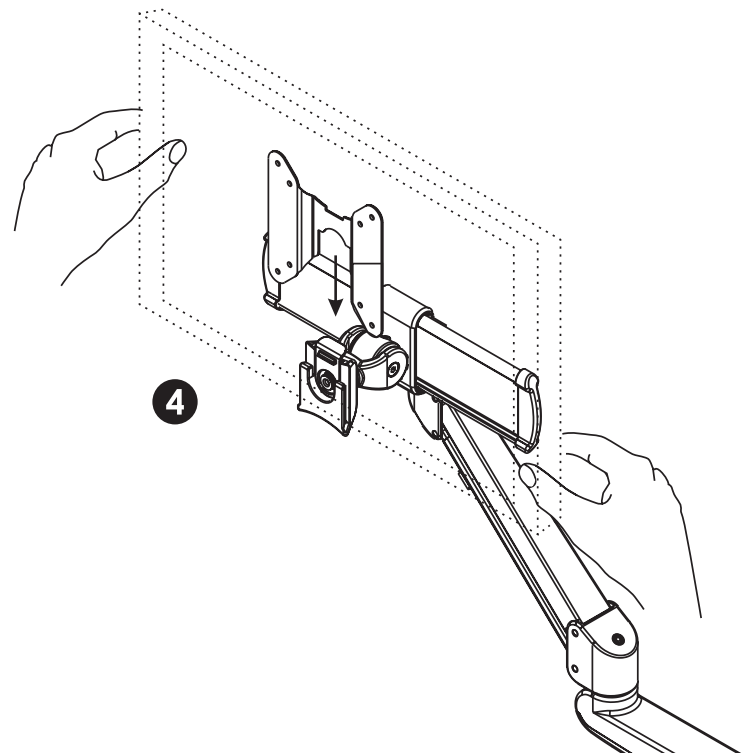
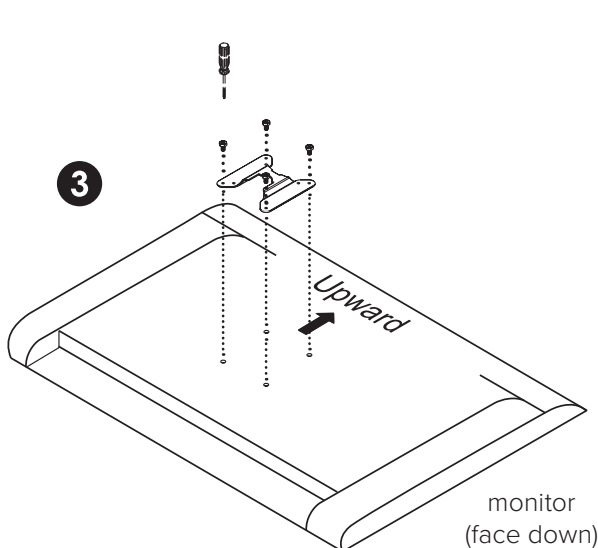
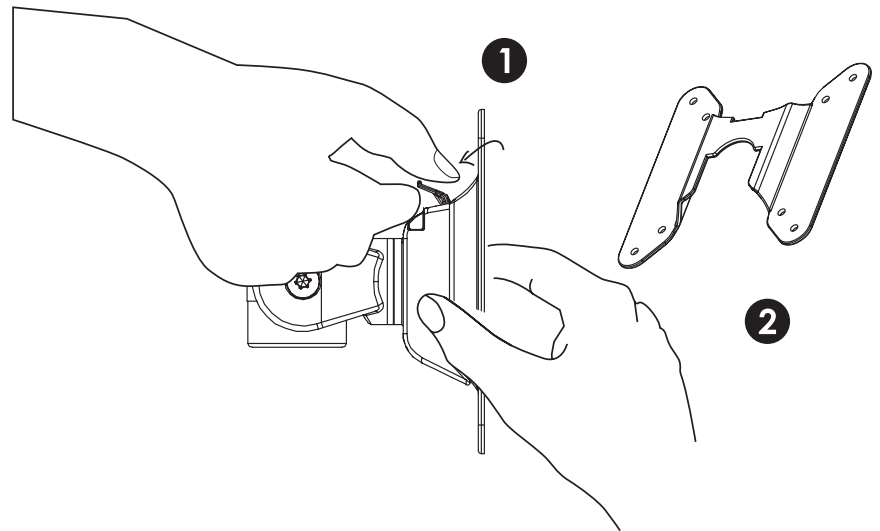
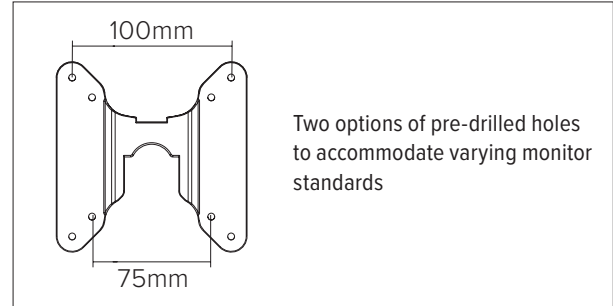
2 Step 2
Insert slider mount to
motion arm or fixed arm.

3 Step 3
Secure the screw using the
2mm Allen key.



VESA plate is pre-drilled to accommodate varying monitor standards.

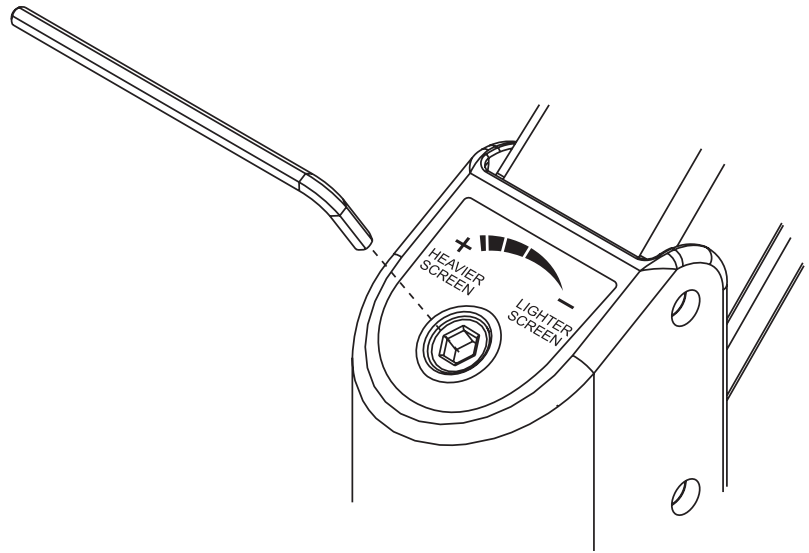
- 1 Step 1**
Pull the tab to release the quick release VESA plate.
- 2 Step 2**
Pull the quick release VESA plate upward to detach.
- 3 Step 3**
Place the monitor face down on a flat surface. Align the VESA plate holes with the back of the monitor and attach using the screws provided.
- 4 Step 4**
With the monitor attached, reinsert the quick release VESA plate. Ensure the monitor "clicks" securely in place.



Adjusting the tension on your motion arm allows for smooth adjustments. Tension adjustment supports monitors weighing 6.6 - 17.6 lbs.

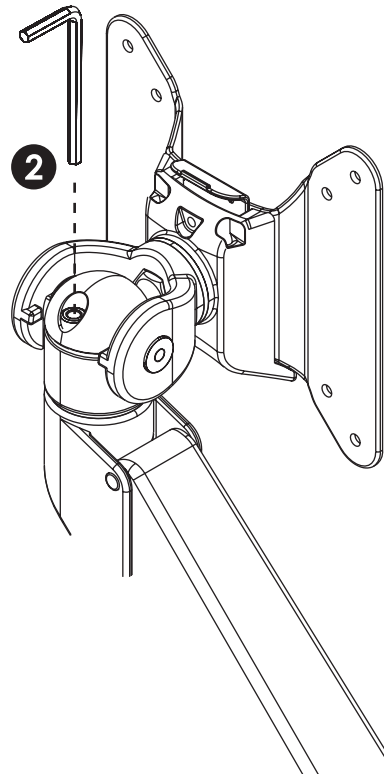
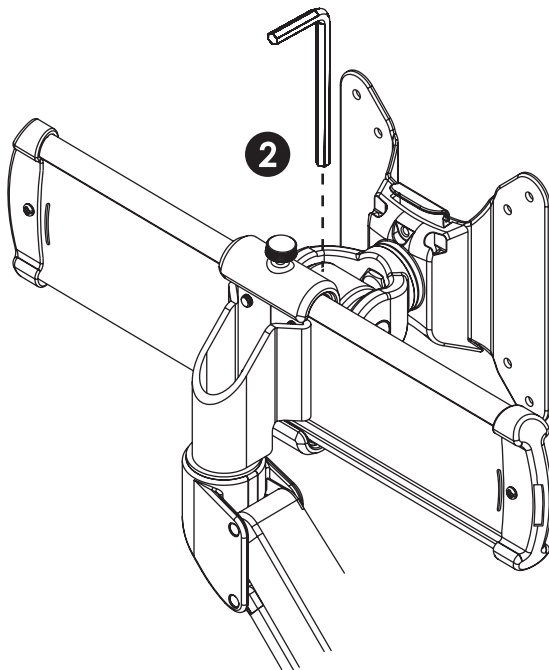
Adjust motion arm tension

- 1 Step 1**
Use the 5mm Allen key to adjust the tension to correspond to the weight of the monitor.



Adjust mount tilt tension

- 2 Step 2**
Use the 4mm Allen key to adjust the tension to correspond to the weight of the monitor. Twist the Allen key in a clockwise direction for heavier monitors; counterclockwise for lighter monitors.

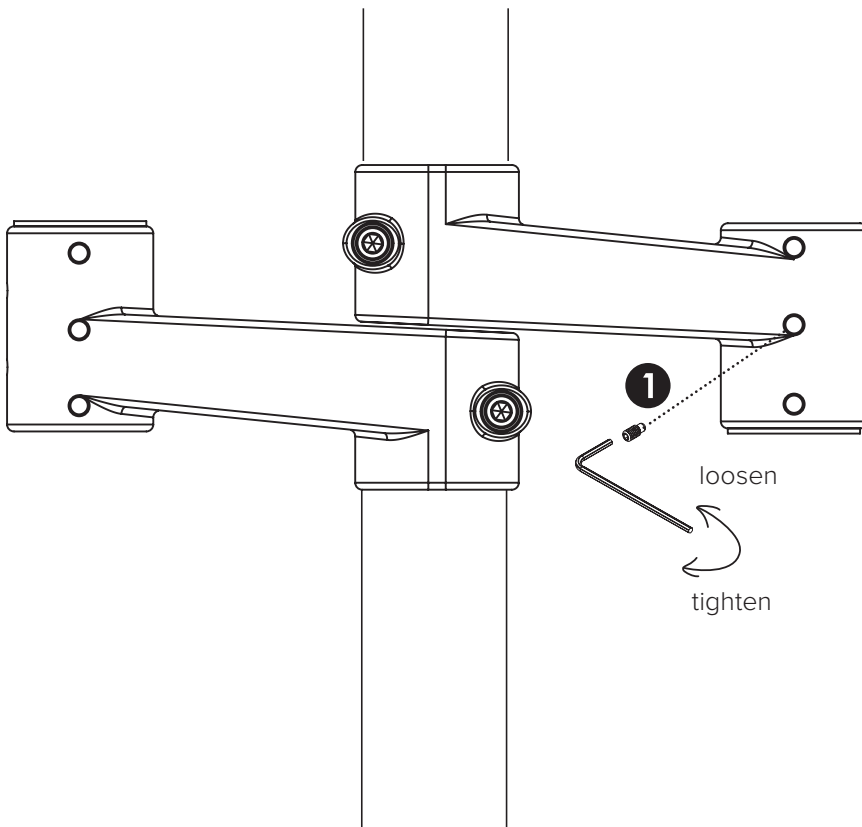
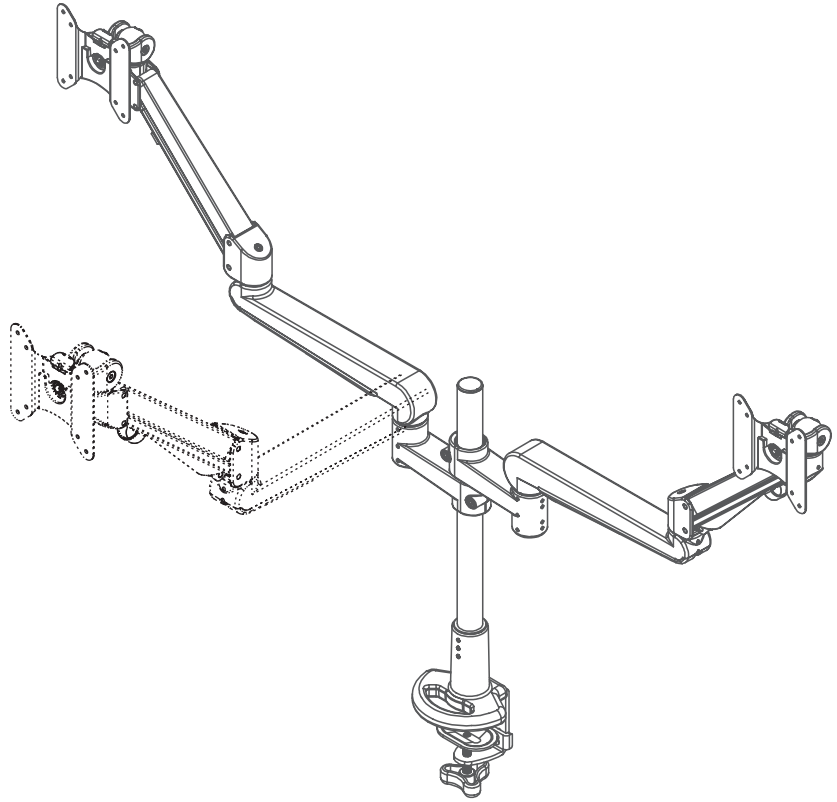




Optional features

180° lock monitor arm

The 180° lock-out feature allows 90° rotation towards the user, but prevents 90° rotation away from the user.

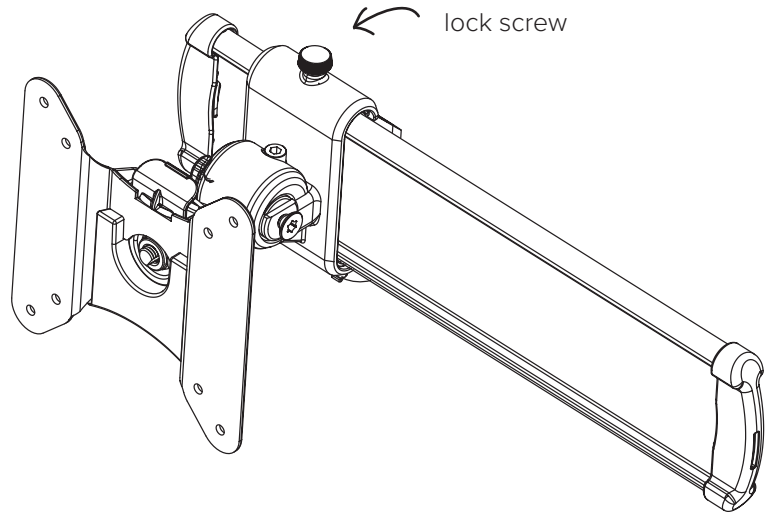
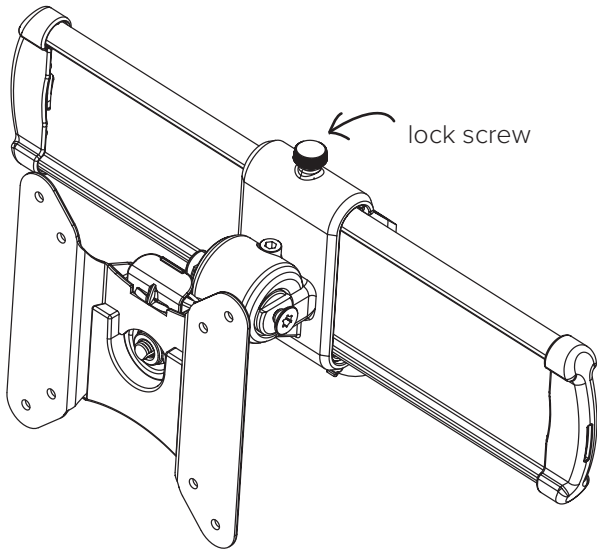


- 1 Step 1** Fasten the screw with the 2mm Allen key on the arm stem and then move the Allen key backward one circle motion to limit arm rotation.

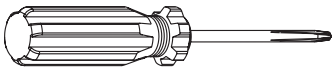


Lock slider plate

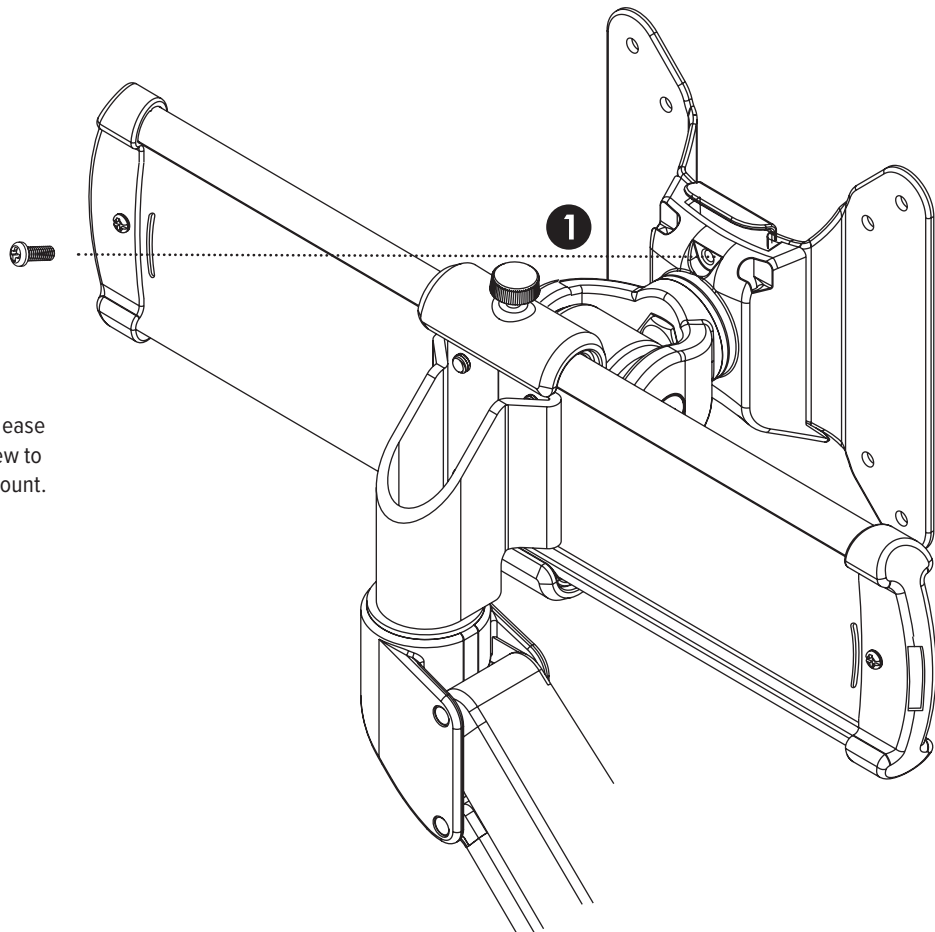
If desired, the slider mount can be secured to prevent the slider function. This will lock a monitor in position.



Prevent VESA mount quick release

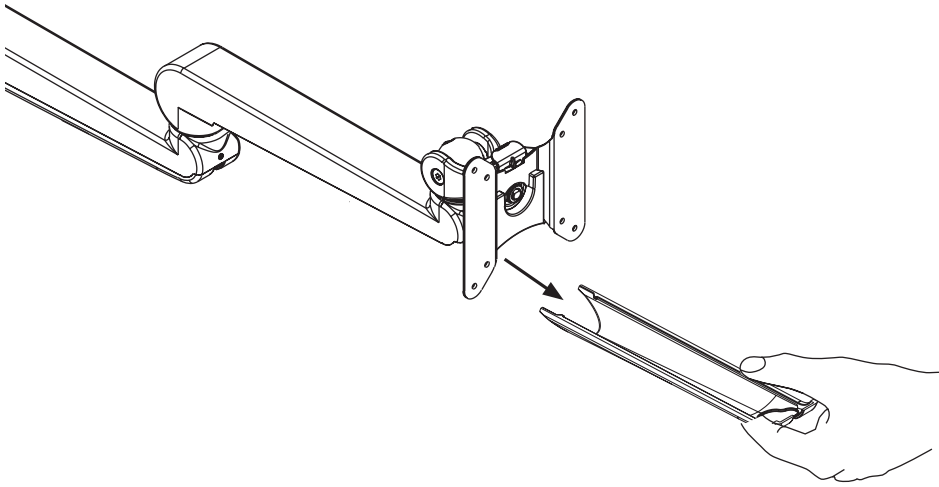


1 **Step 1**
To prevent the quick release function, insert the screw to the back of the VESA mount.



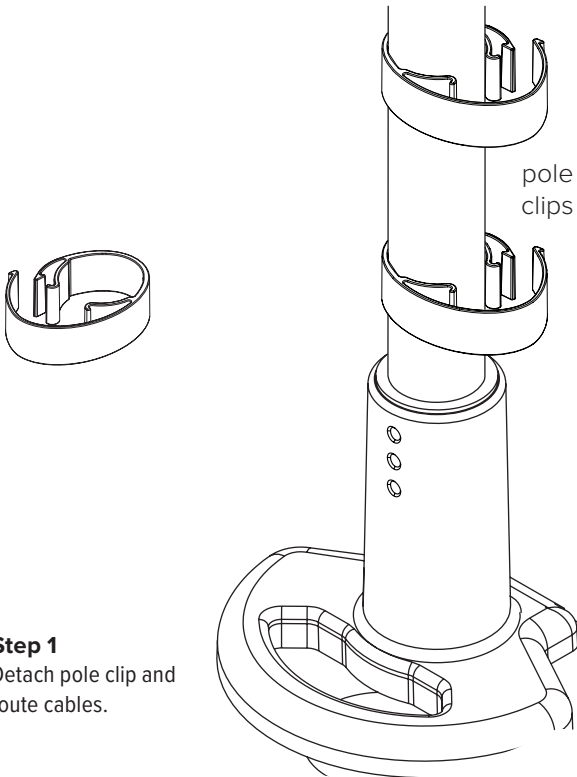


Optional features



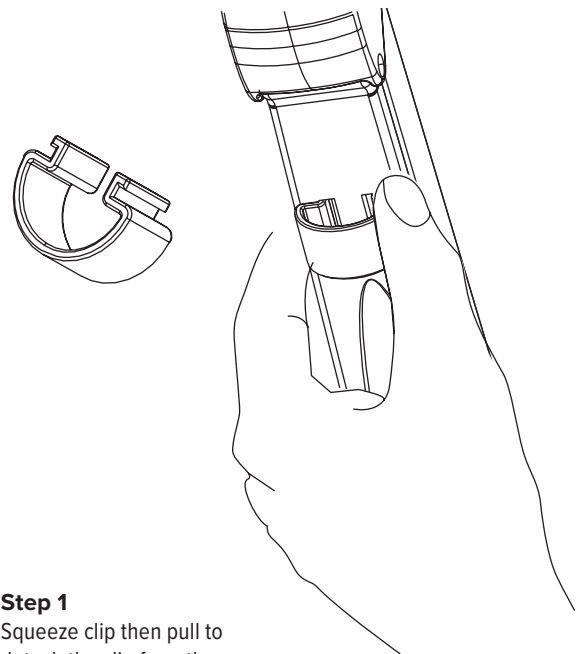
1 Step 1
Slide cable tray outward to detach from fixed arm.

2 Step 2
Route cables through fixed arm tray and reattach.



1 Step 1
Detach pole clip and route cables.

2 Step 2
Route cables through cable clip and reattach to pole.

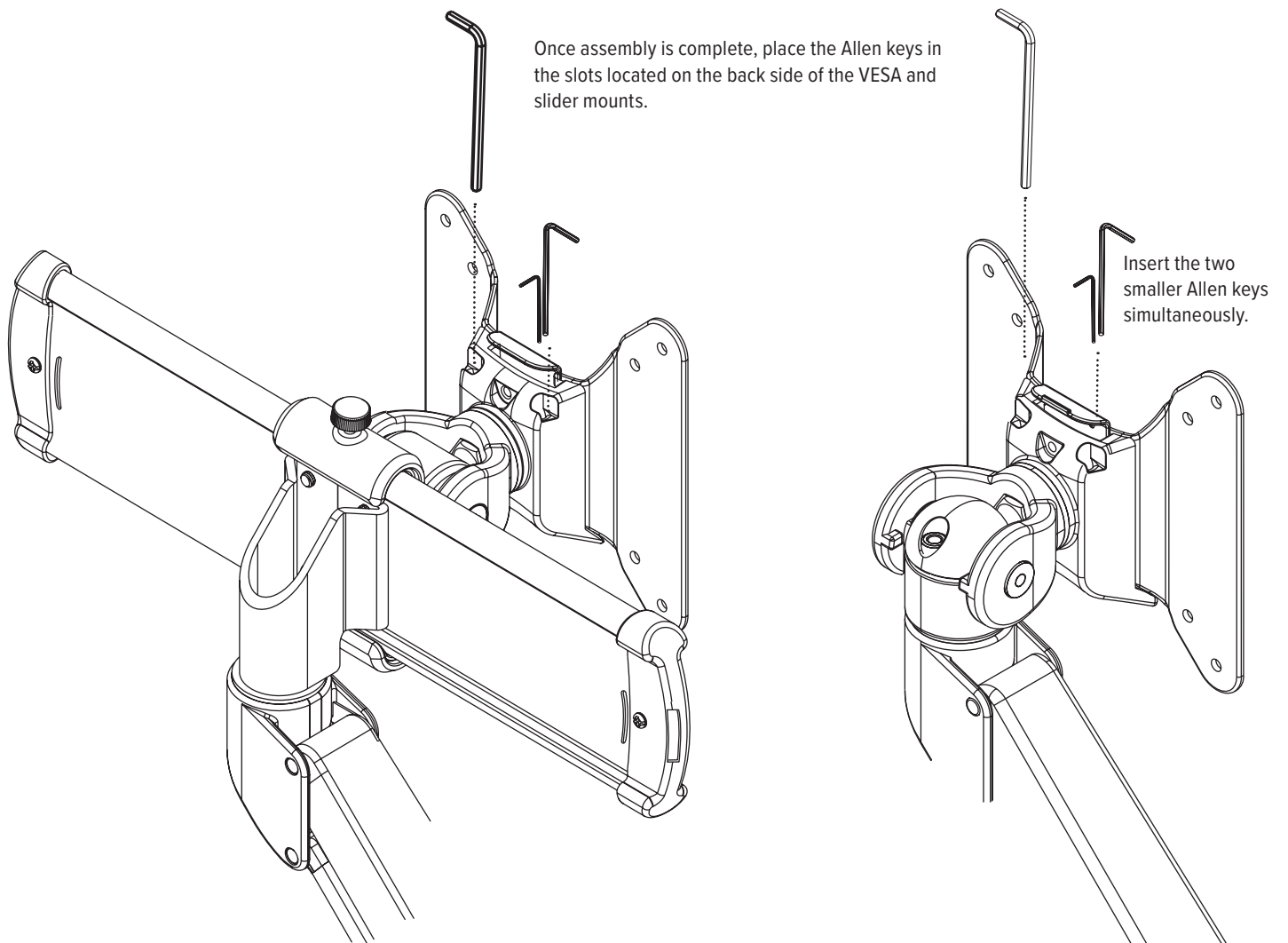


1 Step 1
Squeeze clip then pull to detach the clip from the motion arm.

2 Step 2
Route cables through clip and reattach.



Allen key storage





Evolve

Monitor arm series

Please contact Customer Service with any questions or comments at 800.833.3746 or visit our website at esiergo.com

LIMITED WARRANTY

ESI warrants this product to be free from defects in manufacturing for a period of 15 years from the date of original purchase. This warranty extends only to the original purchaser, and does not apply if the product has been damaged or fails to function properly as a result of misuse, abuse, modification, alteration, or improper cleaning or maintenance. This warranty does not apply to damage in shipment caused by carriers, damage caused during installation, normal wear and tear, or excessive use (meaning consistent use in excess of an eight hour shift). ANY IMPLIED WARRANTIES OF MERCHANTABILITY OR FITNESS FOR A PARTICULAR PURPOSE ARE LIMITED IN DURATION TO ONE YEAR FROM THE DATE OF ORIGINAL RETAIL PURCHASE. ESI's sole obligation under this warranty or any implied warranty, and the purchaser's sole remedy, is limited to the repair or replacement, at ESI's option, of the product or any defective part. Costs (such as installation, labor fees or express shipping) incurred due to replacement of products are not covered under warranty. IN NO EVENT SHALL FELLOWES, ITS AFFILIATES, SUBSIDIARIES, RELATED ENTITIES OR THEIR RESPECTIVE OFFICERS, DIRECTORS, OR EMPLOYEES, BE LIABLE FOR INCIDENTAL, CONSEQUENTIAL, PUNITIVE, EXEMPLARY, OR SPECIAL DAMAGES.

To make a warranty claim, contact ESI at 800-833-3746 or customerservice@esiergo.com. You must provide proof of purchase, such as the original purchase order number.

The duration, terms and conditions of this warranty are valid worldwide, except where different limitations, restrictions or conditions may be required by local law.