

# Evolve1-F

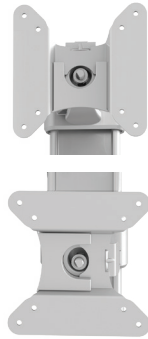
Single fixed monitor arm



esi®



cable management



landscape/portrait rotation



grommet mount



desk clamp



VESA quick release



integrated allen key storage

## Product specs

- Manual height adjustment
- Recommended for worksurfaces 30.0" deep or less
- 12.82" arm extension
- 2.55" arm retraction
- +90°/-25° monitor tilt
- ±90° VESA rotation
- Up to 20.0 lb. weight capacity
- 19.70" pole height (includes base)
- VESA 75mm/100mm quick release
- 180° lock-out feature
- Desk clamp and grommet mount included
- Meets or exceeds BIFMA x5.5 and CSA CAN/CGSB44.227 guidelines
- Warranty 15 yr.



## Model #

- EVOLVE1-F-SLV
- EVOLVE1-F-BLK
- EVOLVE1-F-WHT

## Evolve monitor arm key

F - Fixed monitor arm

M - Motion monitor arm

S - Slider mount

## Evolve for every need

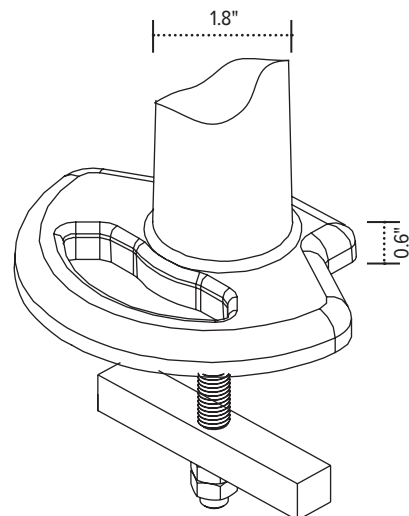
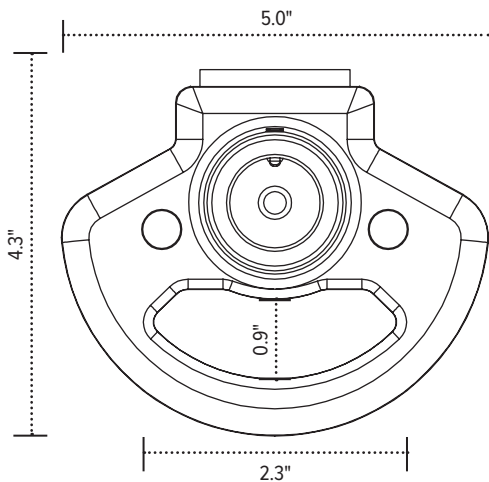
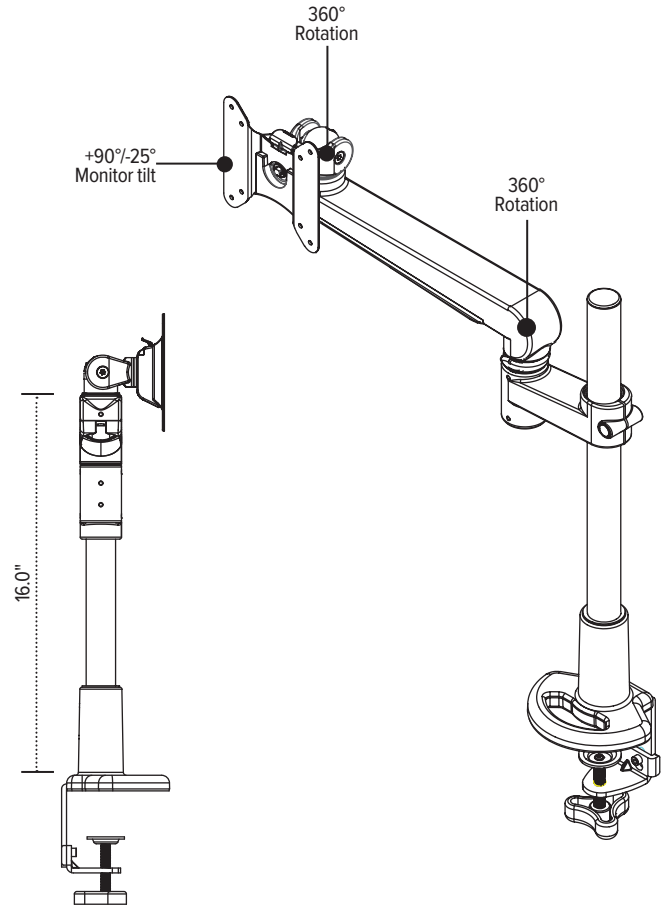
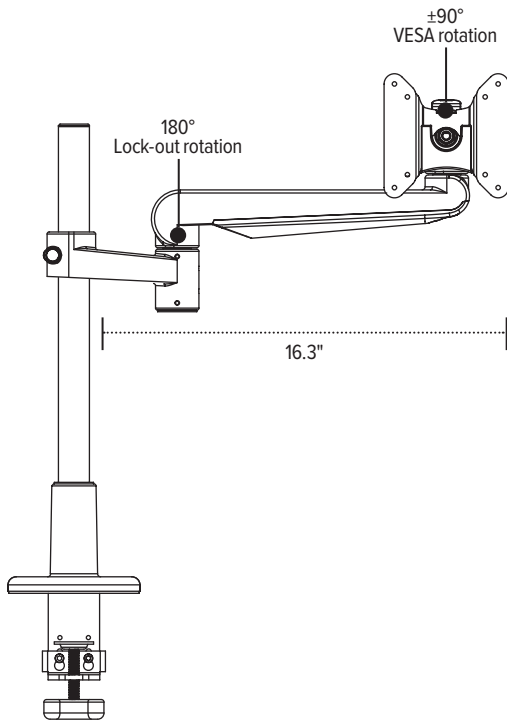
- As workstation needs change, so can the Evolve configurations. Additional components sold separately
- Benching system mount(s) available

Call our Customer Service Department for compatibility and pricing for custom configurations.

# Evolve1-F

Single fixed monitor arm

esi®



# Evolve1-FF

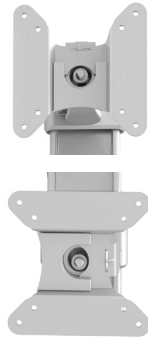
Single fixed + fixed monitor arm



esi®



cable management



landscape/portrait rotation



grommet mount



desk clamp



VESA quick release



integrated allen key storage

## Product specs

- Manual height adjustment
- Recommended for worksurfaces 36.0" deep or less
- 23.10" arm extension
- 2.55" arm retraction
- +90°/-25° monitor tilt
- ±90° VESA rotation
- Up to 20.0 lb. weight capacity
- 19.70" pole height (includes base)
- VESA 75mm/100mm quick release
- 180° lock-out feature
- Desk clamp and grommet mount included
- Meets or exceeds BIFMA x5.5 and CSA CAN/CGSB44.227 guidelines
- Warranty: 15 yr.



## Model #

- EVOLVE1-FF-SLV
- EVOLVE1-FF-BLK
- EVOLVE1-FF-WHT

## Evolve monitor arm key

F - Fixed monitor arm

M - Motion monitor arm

S - Slider mount

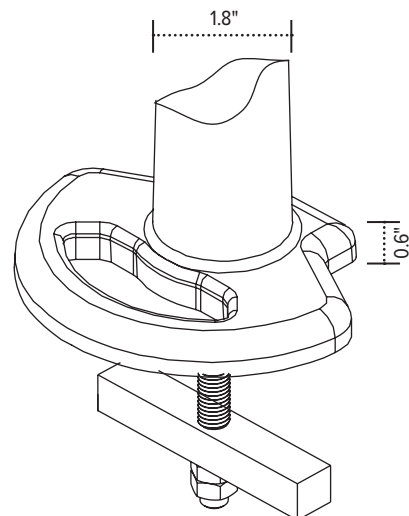
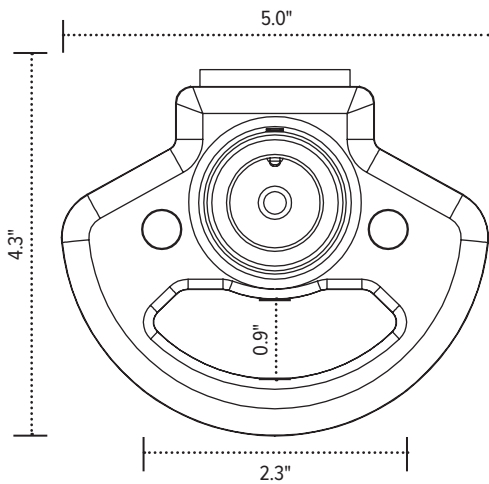
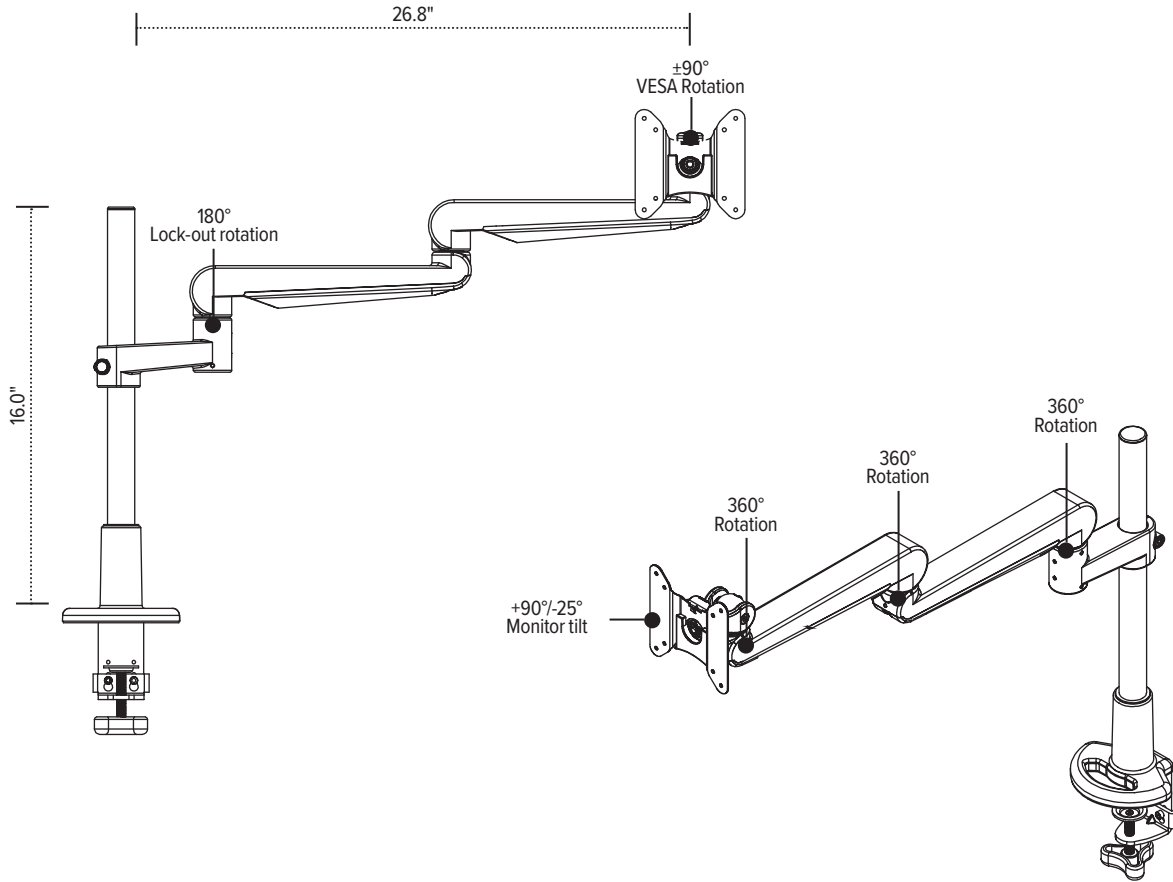
## Evolve for every need

- As workstation needs change, so can the Evolve configurations. Additional components sold separately
- Benching system mount(s) available

Call our Customer Service Department for compatibility and pricing for custom configurations.

# Evolve1-FF

Single fixed + fixed monitor arm

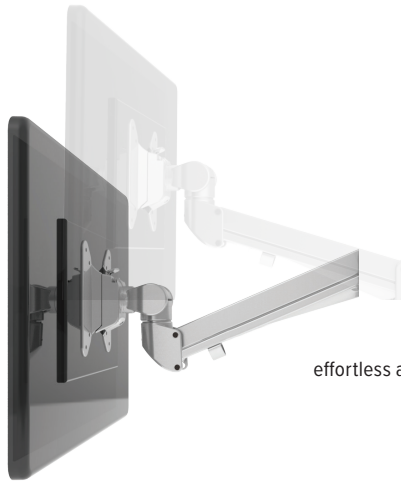


# Evolve1-FM

Single fixed + motion monitor arm



esi®



effortless adjustment



cable management



landscape/portrait rotation



grommet mount



desk clamp



integrated allen key storage



VESA quick release

## Product specs

- Finger touch dynamic height adjustment
- Recommended for worksurfaces 36.0" deep or less
- 23.17" arm extension
- 2.55" arm retraction
- +90°/-25° monitor tilt
- ±90° VESA rotation
- 6.5 lb.–17.6 lb. weight capacity
- 19.70" pole height (includes base)
- VESA 75mm/100mm quick release
- 180° lock-out feature
- Desk clamp and grommet mount included
- Meets or exceeds BIFMA x5.5 and CSA CAN/CGSB44.227 guidelines
- Benching system mount(s) available  
Call Customer Service for details.
- Warranty: 15 yr.



## Model #

- EVOLVE1-FM-SLV
- EVOLVE1-FM-BLK
- EVOLVE1-FM-WHT

## Evolve monitor arm key

- F - Fixed monitor arm
- M - Motion monitor arm
- S - Slider mount

## Evolve for every need

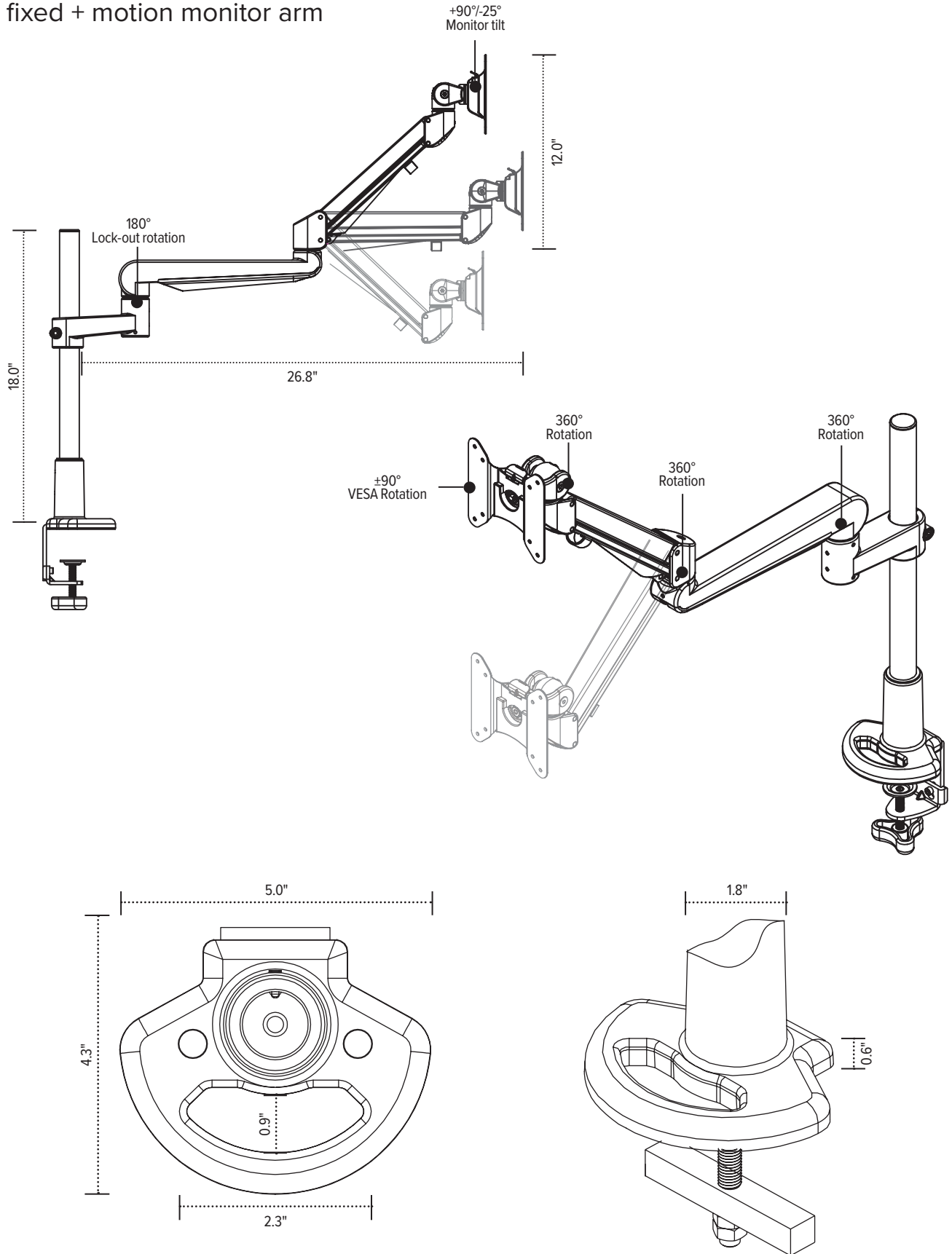
- As workstation needs change, so can the Evolve configurations. Additional components sold separately
- Benching system mount(s) available

Call our Customer Service Department for compatibility and pricing for custom configurations.

# Evolve1-FM



Single fixed + motion monitor arm

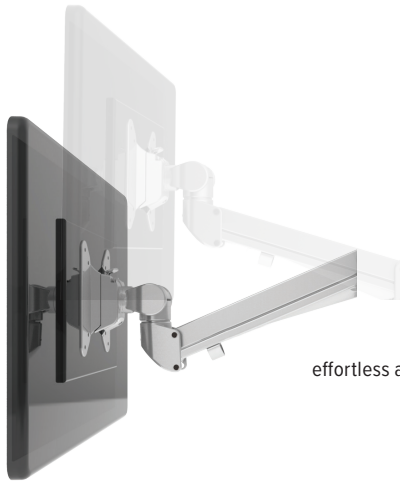


# Evolve1-M

Single motion monitor arm



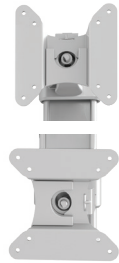
esi®



effortless adjustment



cable management



landscape/portrait rotation



grommet mount



desk clamp



integrated allen key storage



VESA quick release

## Product specs

- Finger touch dynamic height adjustment
- Recommended for worksurfaces 30.0" deep or less
- 12.89" arm extension
- 2.55" arm retraction
- +90°/-25° monitor tilt
- ±90° VESA rotation
- 6.5 lb.–17.6 lb. weight capacity
- 19.70" pole height (includes base)
- VESA 75mm/100mm quick release
- 180° lock-out feature
- Desk clamp and grommet mount included
- Meets or exceeds BIFMA x5.5 and CSA CAN/CGSB44.227 guidelines
- Warranty: 15 yr.



## Model #

- EVOLVE1-M-SLV
- EVOLVE1-M-BLK
- EVOLVE1-M-WHT

## Evolve monitor arm key

- F - Fixed monitor arm
- M - Motion monitor arm
- S - Slider mount

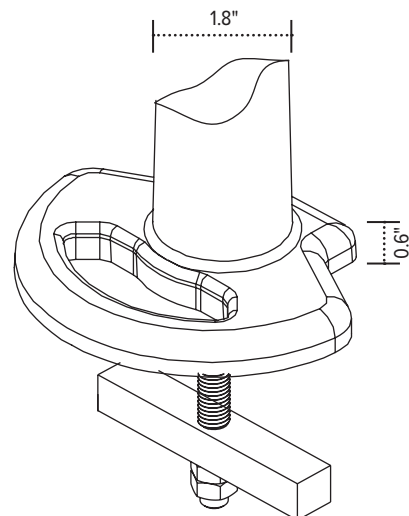
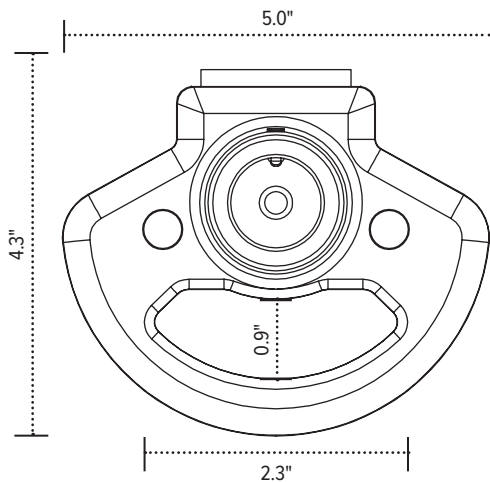
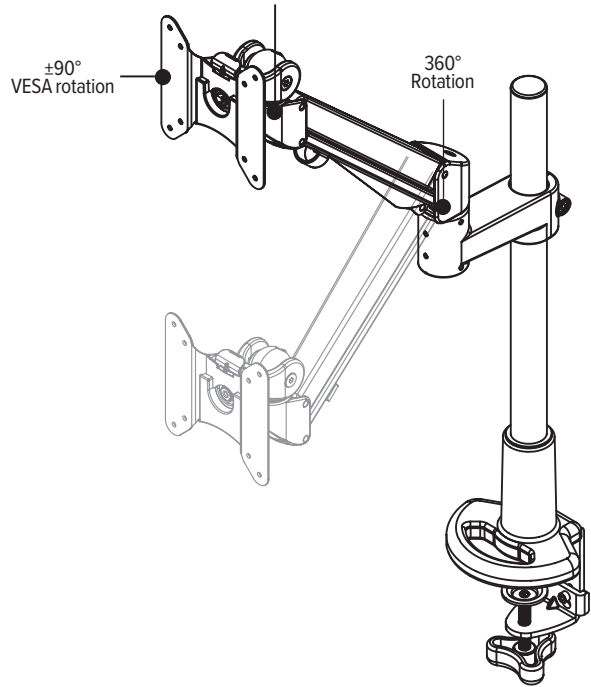
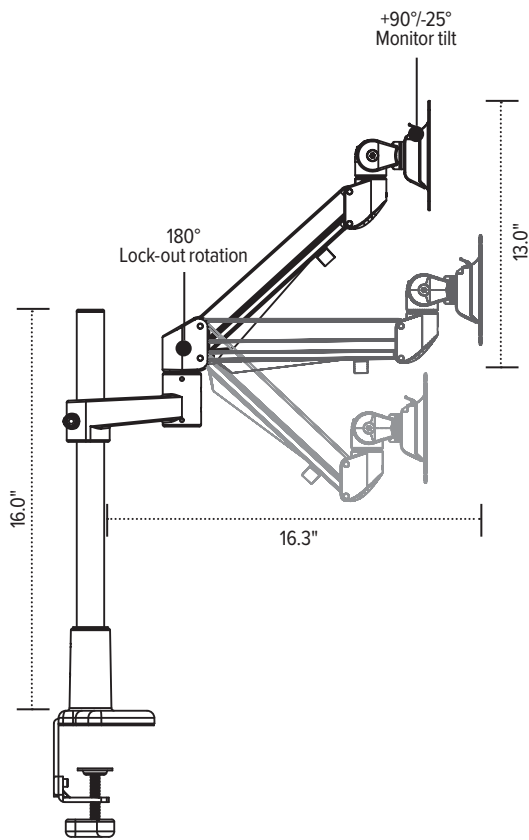
## Evolve for every need

- As workstation needs change, so can the Evolve configurations. Additional components sold separately
- Benching system mount(s) available

Call our Customer Service Department for compatibility and pricing for custom configurations.

# Evolve1-M

Single motion monitor arm



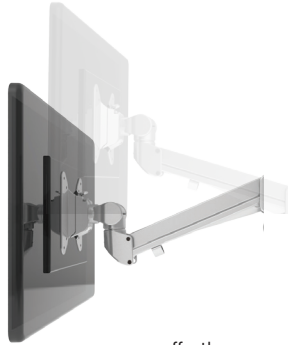


# Evolve1-MS

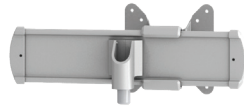
Single motion + slider monitor arm



esi®



effortless adjustment



slider



cable management



landscape/portrait rotation



grommet mount



desk clamp



integrated allen key storage



VESA quick release

## Product specs

- Finger touch dynamic height adjustment
- Recommended for worksurfaces 30.0" deep or less
- 15.41" arm extension
- 5.07" arm retraction
- +80°/-60° monitor tilt
- ±90° VESA rotation
- 4.4 lb.–15.4 lb. weight capacity
- 19.70" pole height (*includes base*)
- VESA 75mm/100mm quick release
- 180° lock-out feature
- Desk clamp and grommet mount included
- Meets or exceeds BIFMA x5.5 and CSA CAN/CGSB44.227 guidelines
- Slider provides 8.5" of additional horizontal adjustability
- Patented slider design for exclusive ESI use
- Warranty: 15 yr.
- 

## Model #

- EVOLVE1-MS-SLV
- EVOLVE1-MS-BLK
- EVOLVE1-MS-WHT

## Evolve monitor arm key

- F - Fixed monitor arm
- M - Motion monitor arm
- S - Slider mount

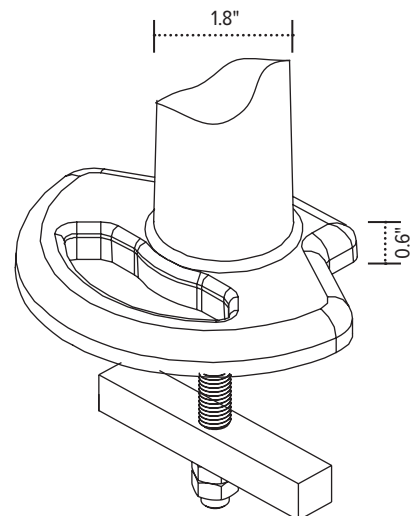
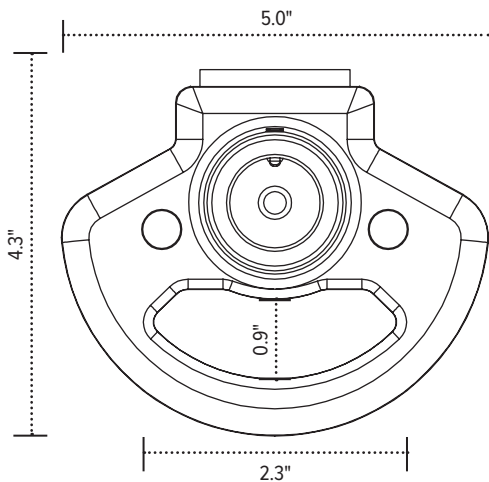
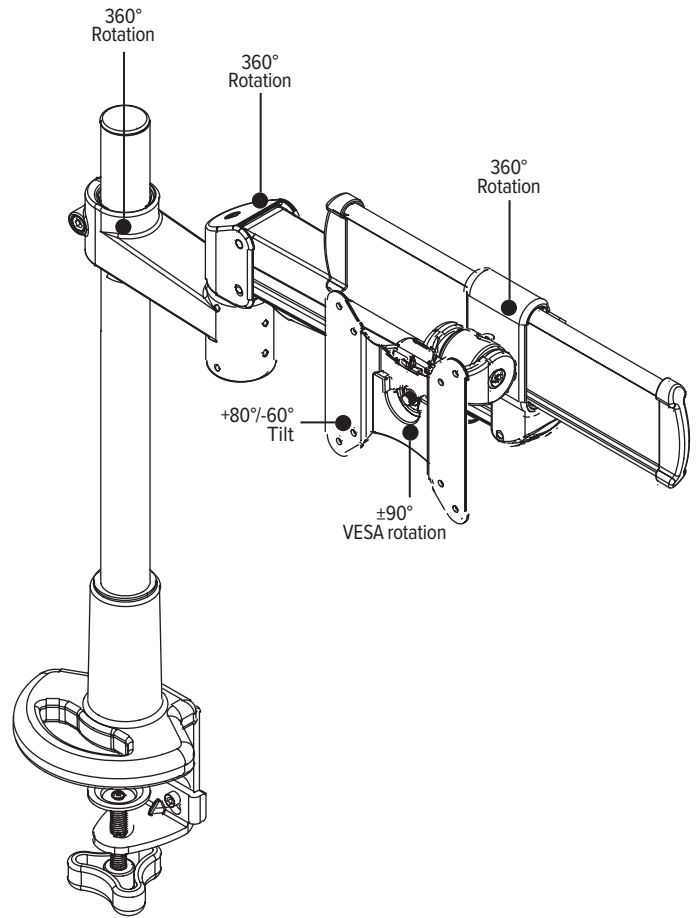
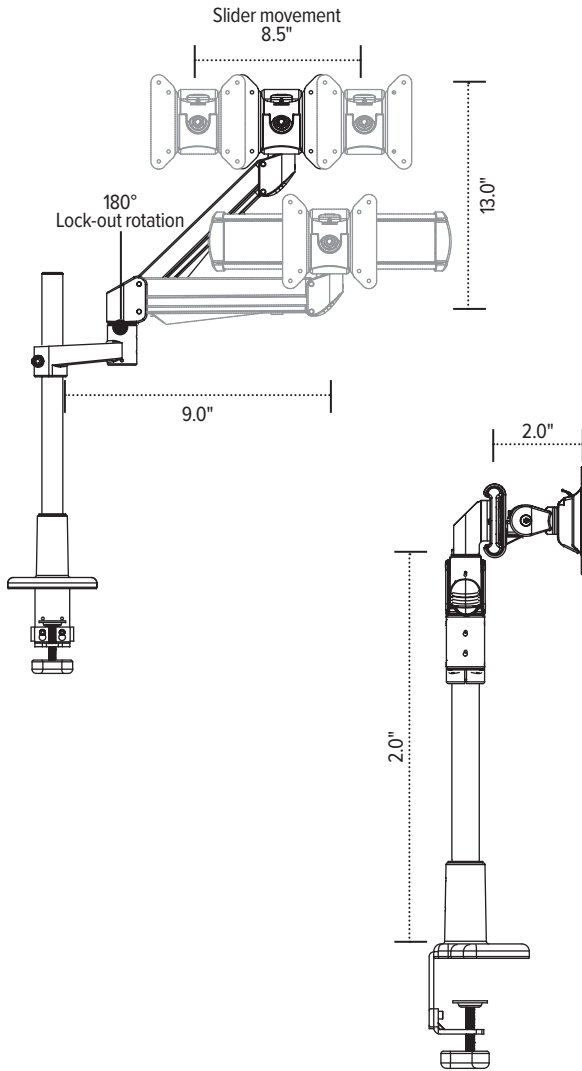
## Evolve for every need

- As workstation needs change, so can the Evolve configurations. Additional components sold separately
- Benching system mount(s) available

Call our Customer Service Department for compatibility and pricing for custom configurations.

# Evolve1-MS

Single motion + slider monitor arm



# Evolve Stubby

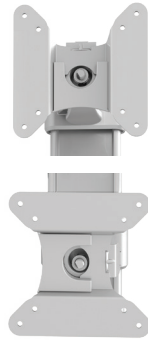
Single short fixed monitor arm



esi®



VESA quick release



landscape/portrait rotation



grommet mount



desk clamp



integrated allen key storage

## Product specs

- Manual height adjustment
- Recommended for worksurfaces 24.0" deep or less
- 8.0" arm extension
- 8.0" arm retraction
- +90°/-25° monitor tilt
- ±90° VESA rotation
- Up to 20.0 lb. weight capacity
- 18.0" pole height (includes base)
- VESA 75mm/100mm quick release
- 180° lock-out feature
- Desk clamp and grommet mount included
- Meets or exceeds BIFMA x5.5 and CSA CAN/CGSB44.227 guidelines
- Warranty: 15 yr.



## Model #

- EVOLVE-STUBBY-SLV
- EVOLVE-STUBBY-BLK
- EVOLVE-STUBBY-WHT

## Evolve monitor arm key

F - Fixed monitor arm

M - Motion monitor arm

S - Slider mount

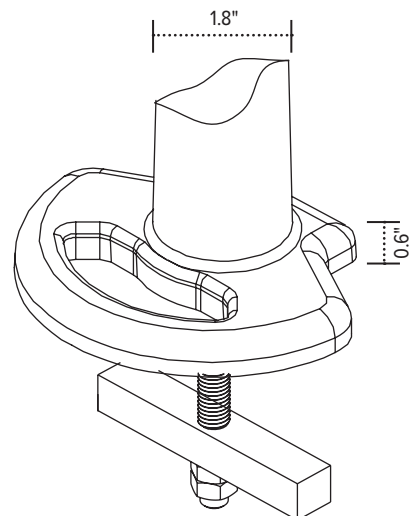
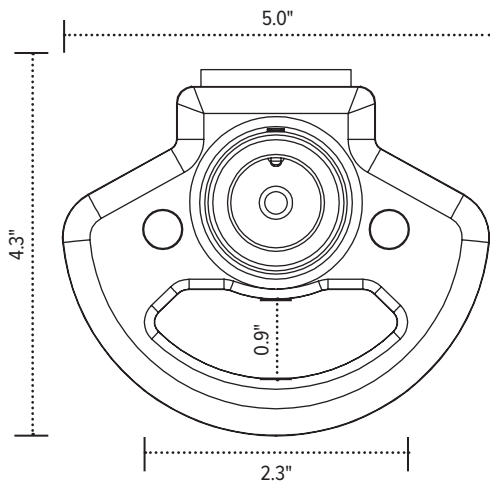
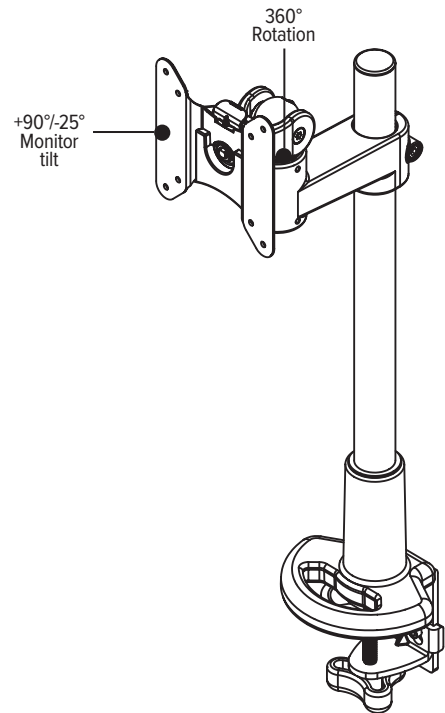
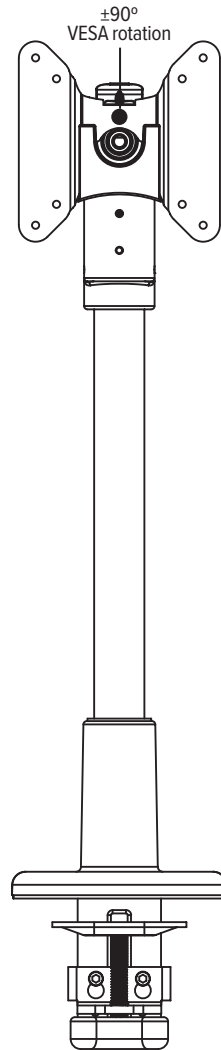
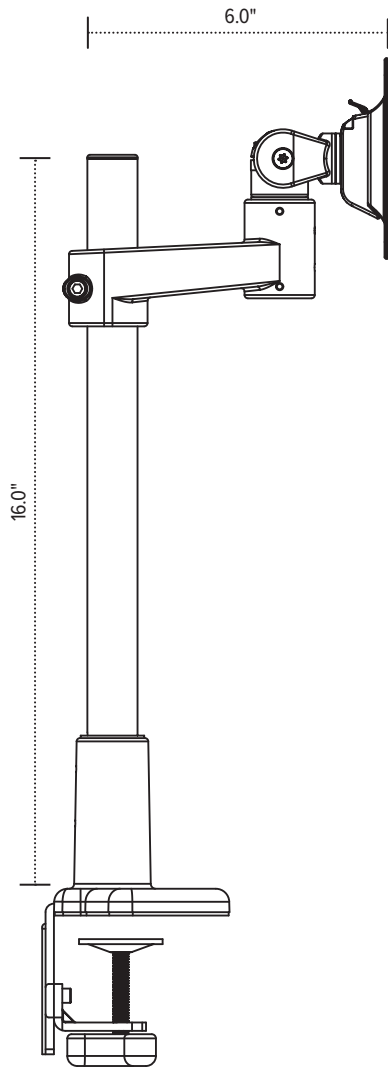
## Evolve for every need

- As workstation needs change, so can the Evolve configurations. Additional components sold separately
- Benching system mount(s) available

Call our Customer Service Department for compatibility and pricing for custom configurations.

# Evolve Stubby

Single short fixed monitor arm



# Evolve2-F

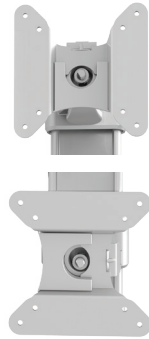
Single fixed monitor arm



esi®



cable management



landscape/portrait rotation



grommet mount



desk clamp



VESA quick release



integrated allen key storage

## Product specs

- Manual height adjustment
- Recommended for worksurfaces 30.0" deep or less
- 18.2" arm extension
- 4.1" arm retraction
- +90°/-25° tilt
- ±90° rotation
- Up to 20.0 lb. weight capacity (*per arm*)
- 18.0" pole height (*includes base*)
- VESA 75mm/100mm quick release
- 180° lock-out feature
- Desk clamp and grommet mount included
- 28.0" max. monitor width  
*Bezel measured left to right.*  
*Max. width is contingent on weight capacity.*
- Meets or exceeds BIFMA x5.5 and CSA CAN/CGSB44.227 guidelines
- Warranty 15 yr.



## Model #

- EVOLVE2-F-SLV
- EVOLVE2-F-BLK
- EVOLVE2-F-WHT

## Evolve monitor arm key

F - Fixed monitor arm

M - Motion monitor arm

S - Slider mount

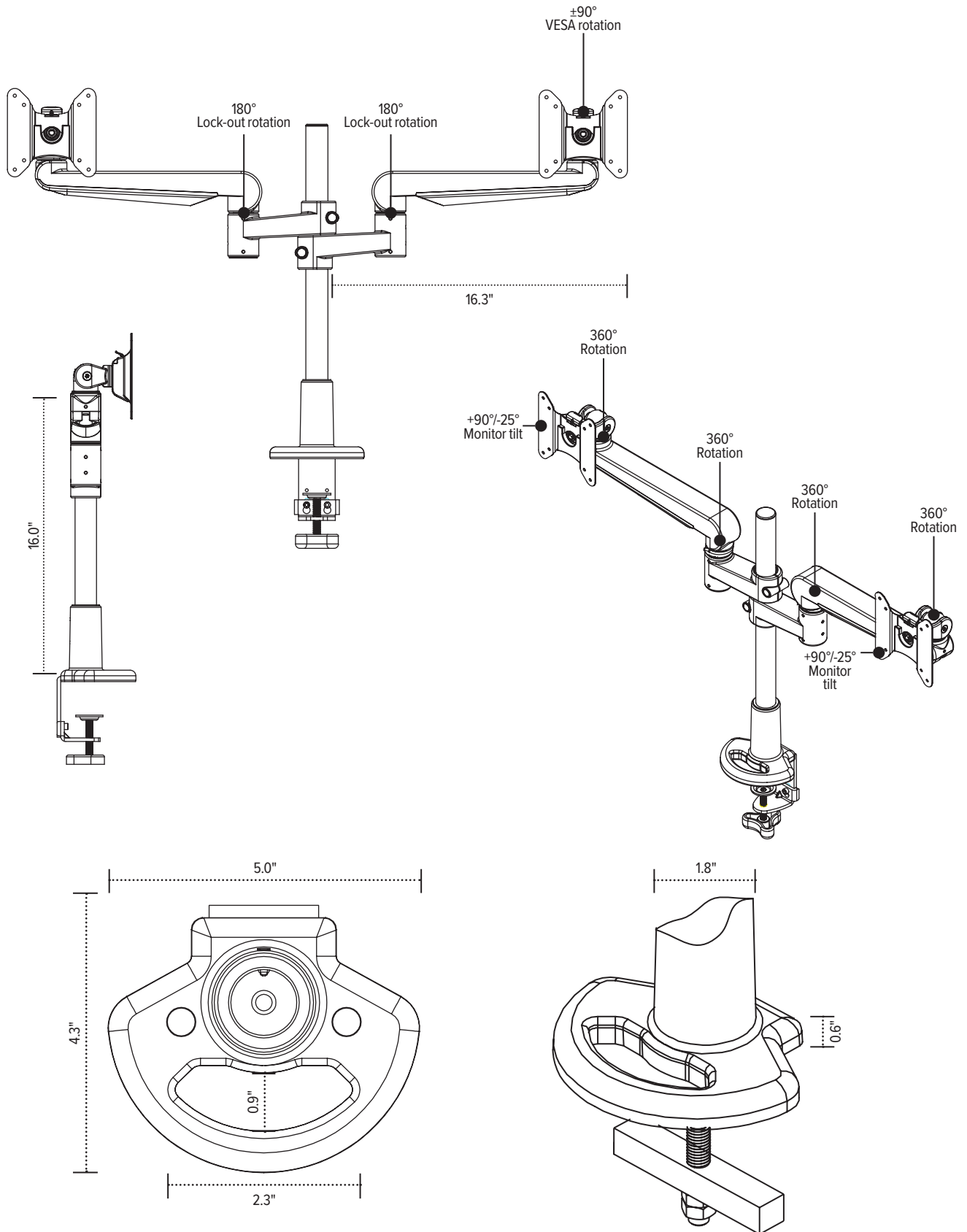
## Evolve for every need

- As workstation needs change, so can the Evolve configurations. Additional components sold separately
- Benching system mount(s) available

*Call our Customer Service Department for compatibility and pricing for custom configurations.*

# Evolve2-F

Single fixed monitor arm



# Evolve2-FF

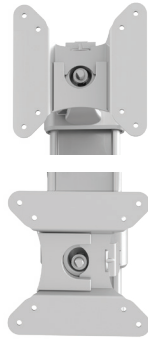
Dual fixed + fixed monitor arm



esi®



cable management



landscape/portrait rotation



grommet mount



desk clamp



VESA quick release



integrated allen key storage

## Product specs

- Manual height adjustment
- Recommended for worksurfaces 36.0" deep or less
- 23.10" arm extension
- 3.40" arm retraction
- +90°/-25° monitor tilt
- ±90° VESA rotation
- Up to 20.0 lb. weight capacity (*per arm*)
- 19.70" pole height (*includes base*)
- VESA 75mm/100mm quick release
- 180° lock-out feature
- Desk clamp and grommet mount included
- 48.98" max. monitor width  
*Bezel measured left to right.*  
*Max. width is contingent on weight capacity.*
- Meets or exceeds BIFMA x5.5 and CSA CAN/CGSB44.227 guidelines
- Warranty 15 yr.



## Model #

- EVOLVE2-FF-SLV
- EVOLVE2-FF-BLK
- EVOLVE2-FF-WHT

## Evolve monitor arm key

F - Fixed monitor arm

M - Motion monitor arm

S - Slider mount

## Evolve for every need

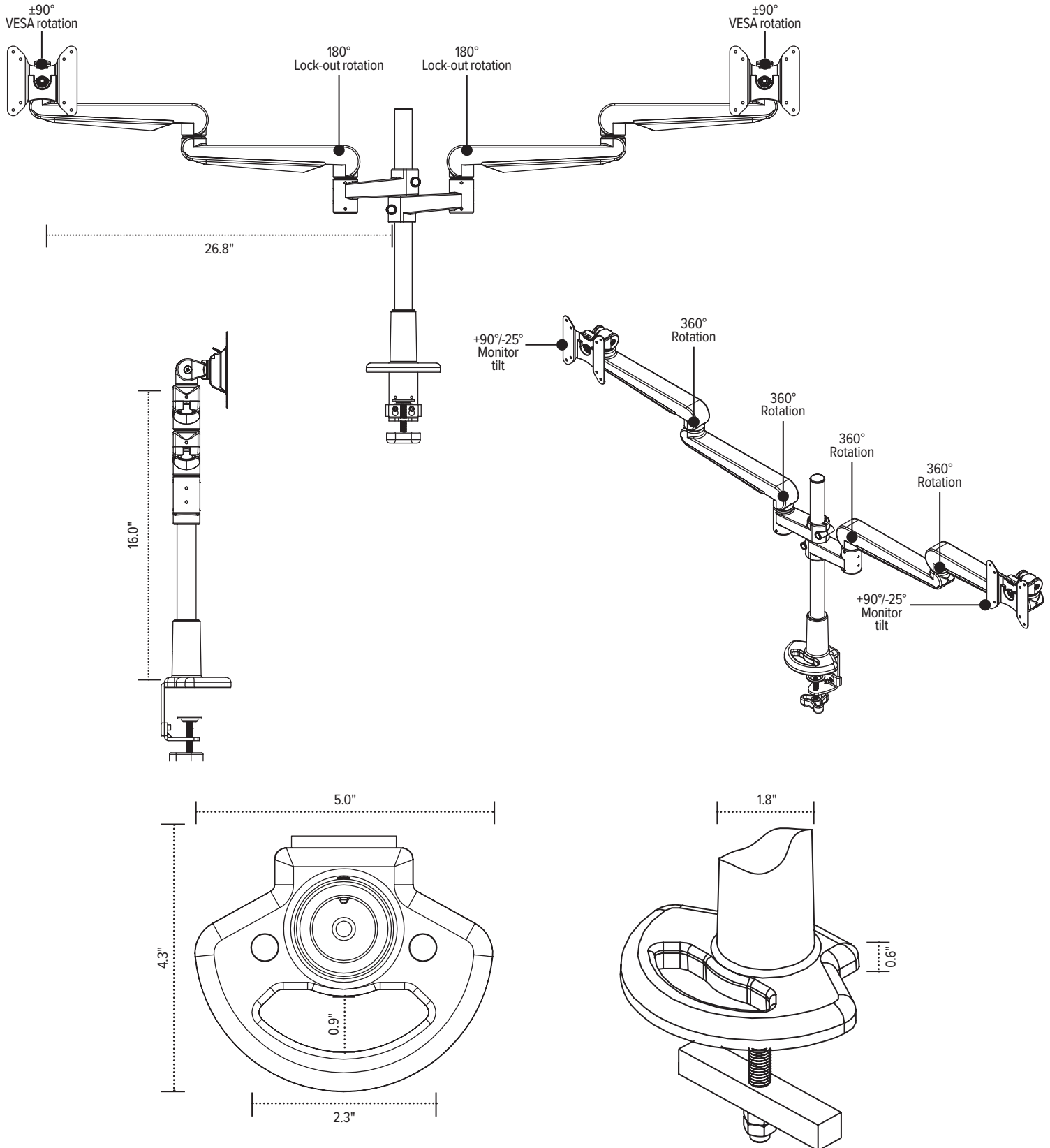
- As workstation needs change, so can the Evolve configurations. Additional components sold separately
- Benching system mount(s) available

*Call our Customer Service Department for compatibility and pricing for custom configurations.*

# Evolve2-FF



Dual fixed + fixed monitor arm



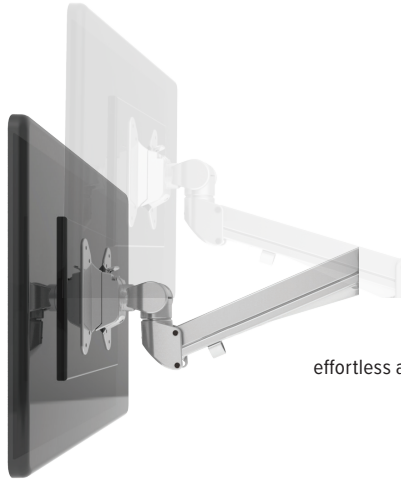


# Evolve2-FM

Dual fixed + motion monitor arm



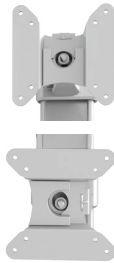
esi®



effortless adjustment



cable management



landscape/portrait rotation



grommet mount



desk clamp



integrated allen key storage



VESA quick release

## Product specs

- Finger touch dynamic height adjustment
- Recommended for worksurfaces 36.0" deep or less
- 23.17" arm extension
- 3.22" arm retraction
- +90°/-25° monitor tilt
- ±90° VESA rotation
- 6.5 lb.–17.6 lb. weight capacity (*per arm*)
- 19.70" pole height (*includes base*)
- VESA 75mm/100mm quick release
- 180° lock-out feature
- Desk clamp and grommet mount included
- 49.11" max. monitor width  
*Bezel measured left to right.*  
*Max. width is contingent on weight capacity.*
- Meets or exceeds BIFMA x5.5 and CSA CAN/CGSB44.227 guidelines
- Warranty 15 yr.



## Model #

- EVOLVE2-FM-SLV
- EVOLVE2-FM-BLK
- EVOLVE2-FM-WHT

## Evolve monitor arm key

- F - Fixed monitor arm
- M - Motion monitor arm
- S - Slider mount

## Evolve for every need

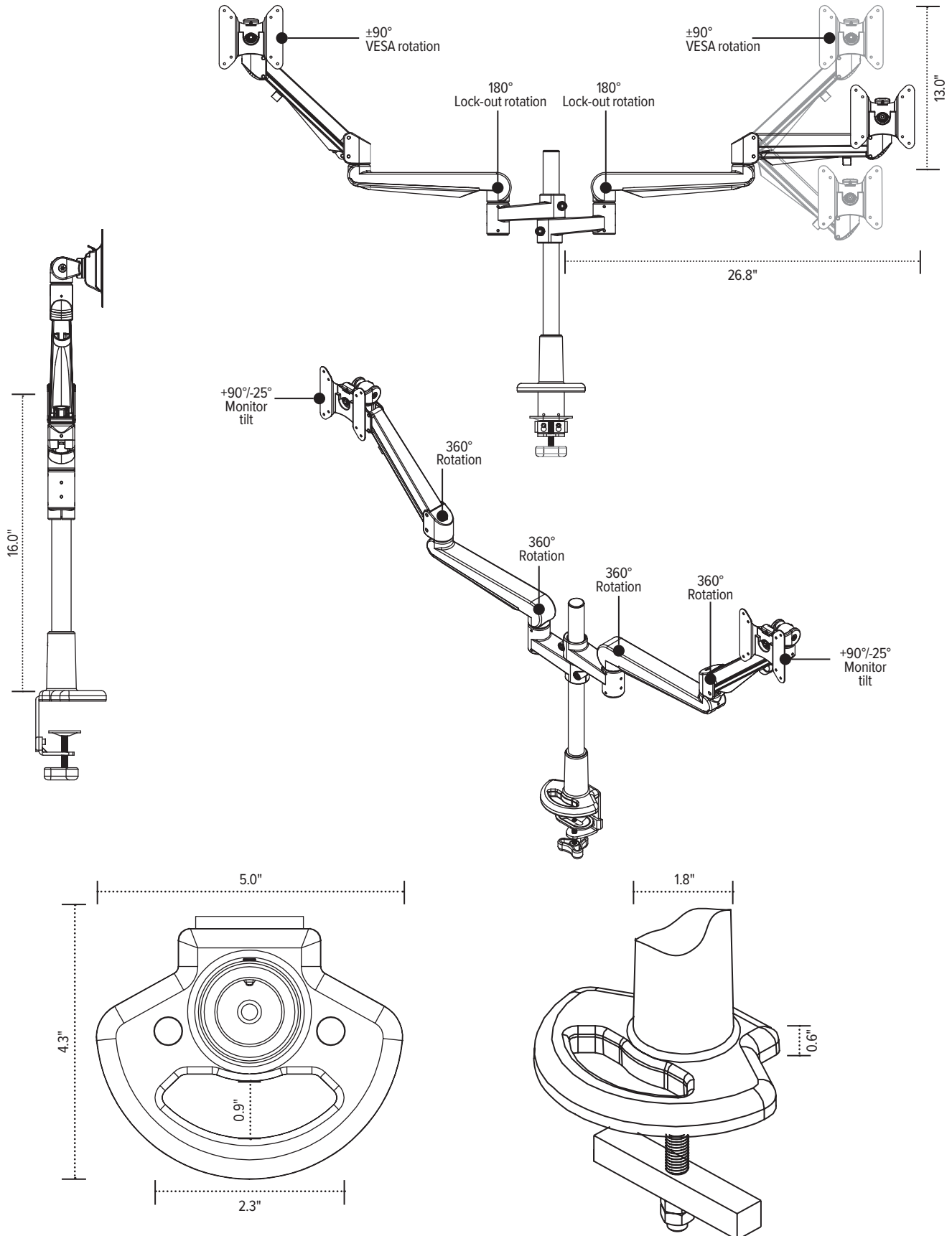
- As workstation needs change, so can the Evolve configurations. Additional components sold separately
- Benching system mount(s) available

Call our Customer Service Department for compatibility and pricing for custom configurations.

# Evolve2-FM



Dual fixed + motion monitor arm

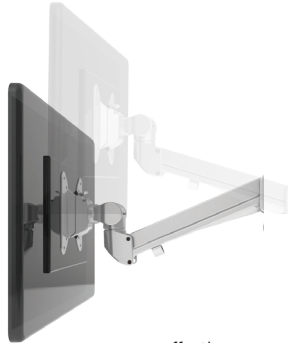


# Evolve2-FMS

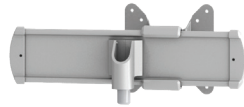
Dual fixed + motion + slider monitor arm



esi®



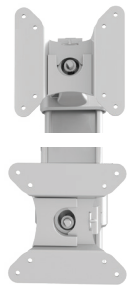
effortless adjustment



slider



cable management



landscape/portrait rotation



grommet mount



desk clamp



integrated allen key storage



VESA quick release

## Product specs

- Finger touch dynamic height adjustment
- Recommended for worksurfaces 36.0" deep or less
- 25.69" arm extension
- 5.74" arm retraction
- +80°/-60° monitor tilt
- ±90° VESA rotation
- 4.4 lb.–15.4 lb. weight capacity (*per arm*)
- 19.70" pole height (*includes base*)
- VESA 75mm/100mm quick release
- 180° lock-out feature
- Desk clamp and grommet mount included
- 57.69" max. monitor width  
*Bezel measured left to right.*  
*Max. width is contingent on weight capacity.*
- Slider provides 8.5" of additional horizontal adjustability
- Patented slider design for exclusive ESI use
- Meets or exceeds BIFMA x5.5 and CSA CAN/CGSB44.227 guidelines
- Warranty 15 yr.



## Model #

- EVOLVE2-FMS-SLV
- EVOLVE2-FMS-BLK
- EVOLVE2-FMS-WHT

## Evolve monitor arm key

- F - Fixed monitor arm
- M - Motion monitor arm
- S - Slider mount

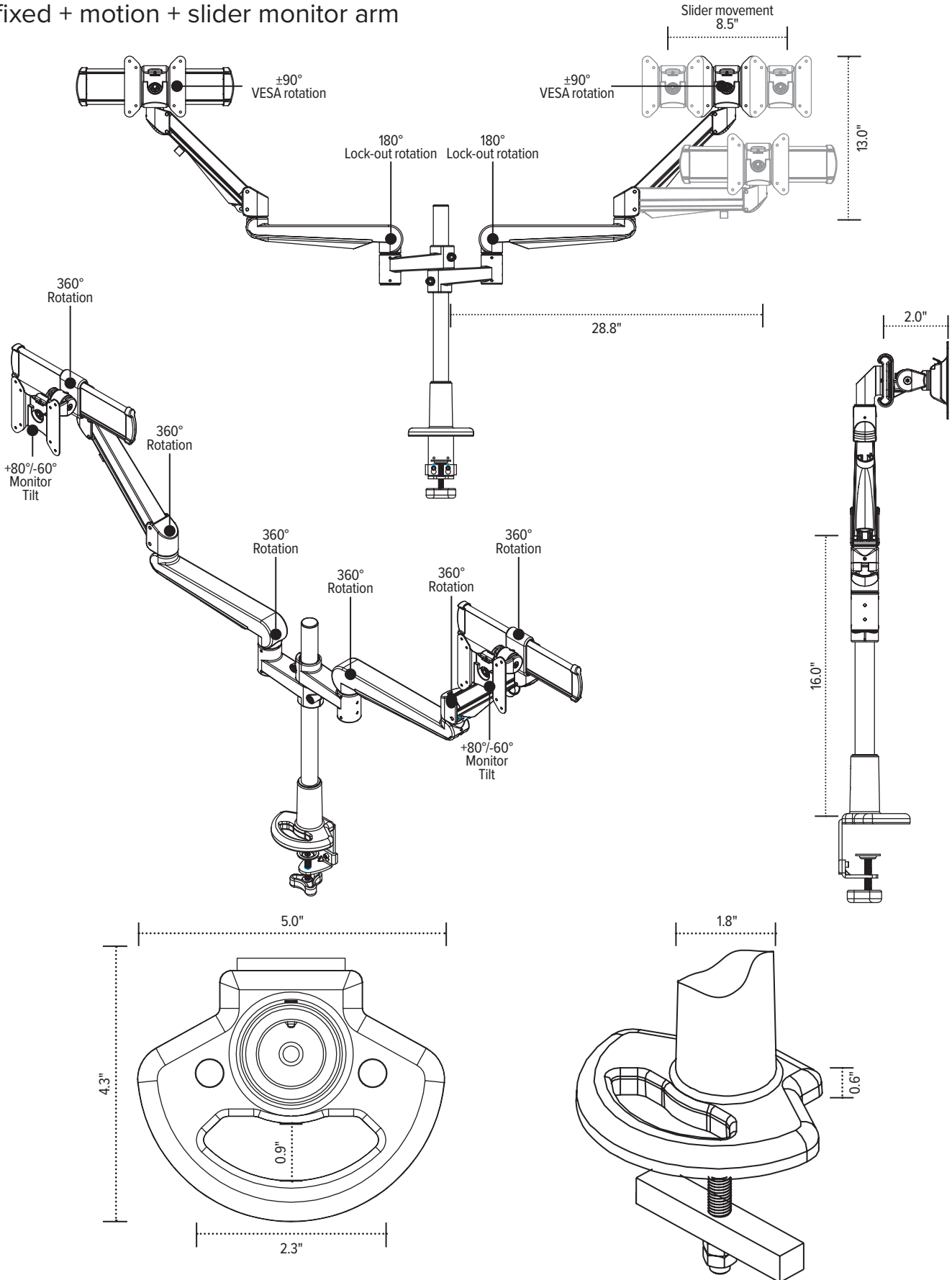
## Evolve for every need

- As workstation needs change, so can the Evolve configurations. Additional components sold separately
- Benching system mount(s) available

Call our Customer Service Department for compatibility and pricing for custom configurations.

# Evolve2-FMS

Dual fixed + motion + slider monitor arm



# Evolve2-FS

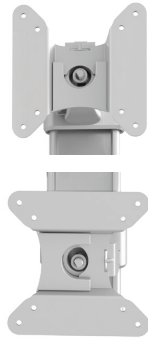
Dual fixed + slider monitor arm



esi®



cable management



landscape/portrait rotation



grommet mount



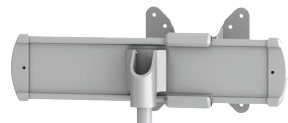
desk clamp



VESA quick release



integrated allen key storage



slider

## Product specs

- Manual height adjustment
- Recommended for worksurfaces 30.0" deep or less
- 15.35" arm extension
- 5.74" arm retraction
- +80°/-60° monitor tilt
- ±90° VESA rotation
- Up to 18.5lb. weight capacity (*per arm*)
- 19.70" pole height (*includes base*)
- VESA 75mm/100mm quick release
- 180° lock-out feature
- Desk clamp and grommet mount included
- 37.01" max. monitor width  
*Bezel measured left to right.*  
*Max. width is contingent on weight capacity.*
- Slider provides 8.5" of additional horizontal adjustability
- Patented slider design for exclusive ESI use
- Meets or exceeds BIFMA x5.5 and CSA CAN/CGSB44.227 guidelines
- Warranty 15 yr.



## Model #

- EVOLVE2-FS-SLV
- EVOLVE2-FS-BLK
- EVOLVE2-FS-WHT

## Evolve monitor arm key

F - Fixed monitor arm

M - Motion monitor arm

S - Slider mount

## Evolve for every need

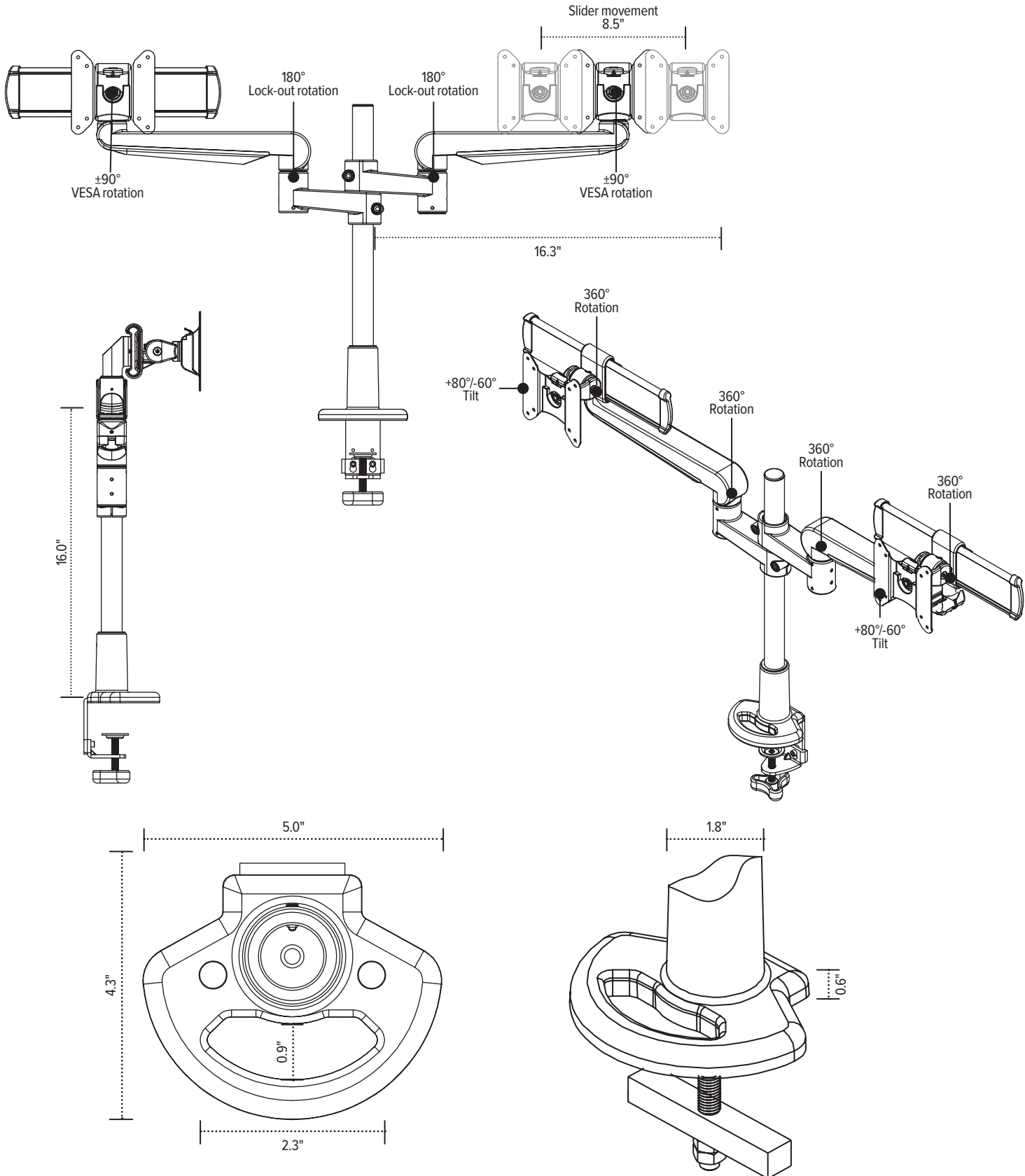
- As workstation needs change, so can the Evolve configurations. Additional components sold separately
- Benching system mount(s) available

*Call our Customer Service Department for compatibility and pricing for custom configurations.*

# Evolve2-FS

Dual fixed + slider monitor arm

esi®



# Evolve2-M

Dual motion monitor arm



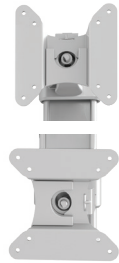
esi®



effortless adjustment



cable management



landscape/portrait rotation



grommet mount



desk clamp



integrated allen key storage



VESA quick release

## Product specs

- Finger touch dynamic height adjustment
- Recommended for worksurfaces 30.0" deep or less
- 18.4" arm extension
- 4.1" arm retraction
- +90°/-25° tilt
- ±90° rotation
- 6.5 lb.–17.6 lb. weight capacity (*per arm*)
- 18.0" pole height (*includes base*)
- VESA 75mm/100mm quick release
- 180° lock-out feature
- Desk clamp and grommet mount included
- 28.0" max. monitor width  
*Bezel measured left to right.*  
*Max. width is contingent on weight capacity.*
- Meets or exceeds BIFMA x5.5 and CSA CAN/CGSB44.227 guidelines
- Warranty 15 yr.



## Model #

- EVOLVE2-M-SLV
- EVOLVE2-M-BLK
- EVOLVE2-M-WHT

## Evolve monitor arm key

- F - Fixed monitor arm
- M - Motion monitor arm
- S - Slider mount

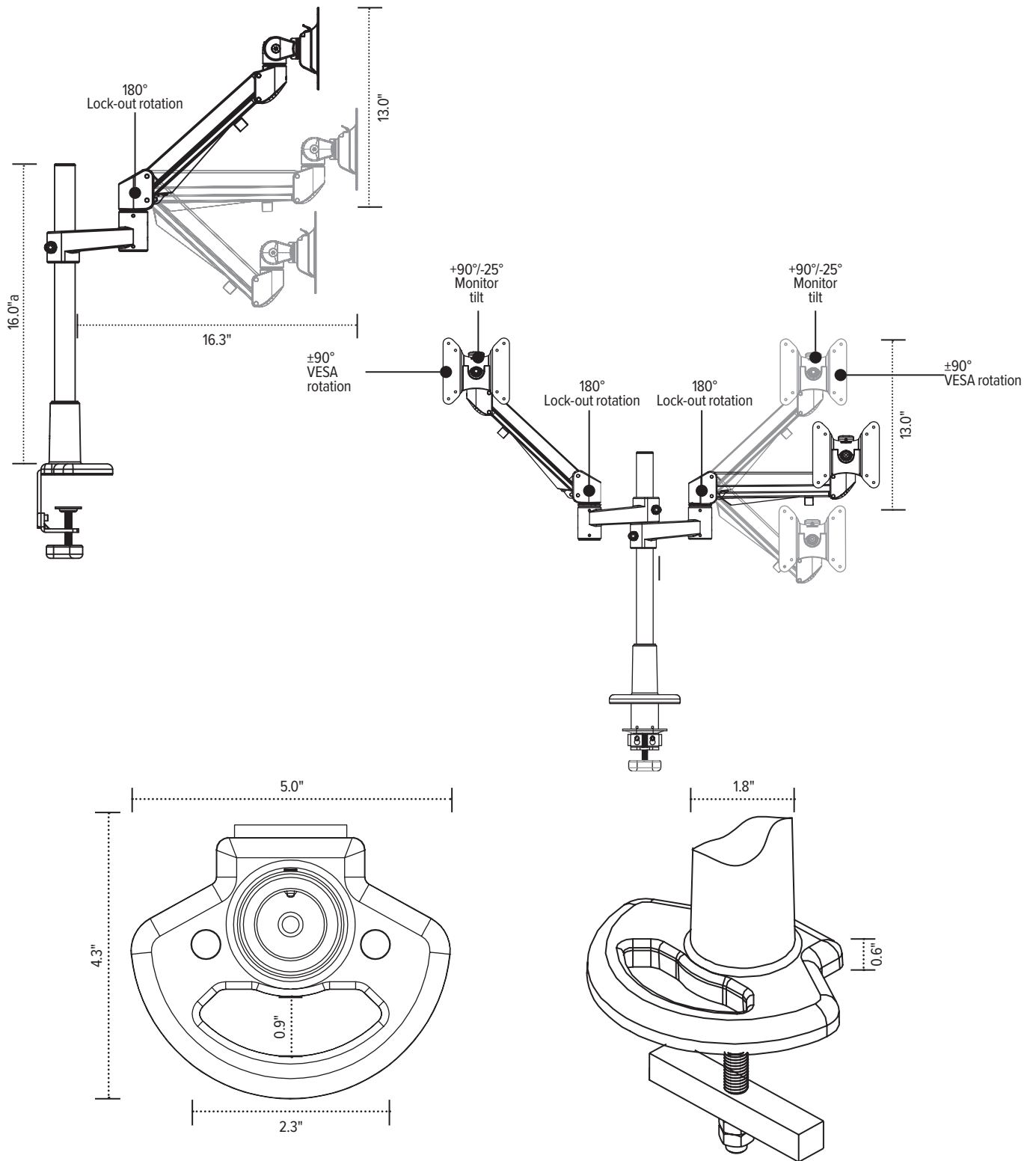
## Evolve for every need

- As workstation needs change, so can the Evolve configurations. Additional components sold separately
- Benching system mount(s) available

Call our Customer Service Department for compatibility and pricing for custom configurations.

# Evolve2-M

Dual motion monitor arm



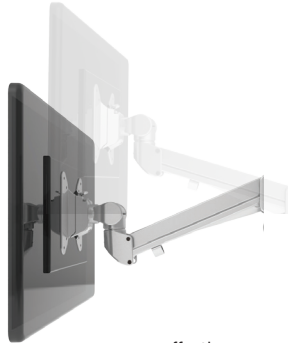


# Evolve2-MS

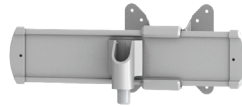
Dual motion + slider monitor arm



esi®



effortless adjustment



slider



cable management



landscape/portrait rotation



grommet mount



desk clamp



integrated allen key storage



VESA quick release

## Product specs

- Finger touch dynamic height adjustment
- Recommended for worksurfaces 30.0" deep or less
- 15.41" arm extension
- 5.74" arm retraction
- +80°/-60° monitor tilt
- ±90° VESA rotation
- 4.4 lb.–15.4 lb. weight capacity (*per arm*)
- 19.70" pole height (*includes base*)
- VESA 75mm/100mm quick release
- 180° lock-out feature
- Desk clamp and grommet mount included
- 37.14" max. monitor width  
*Bezel measured left to right.*  
*Max. width is contingent on weight capacity.*
- Slider provides 8.5" of additional horizontal adjustability
- Patented slider design for exclusive ESI use
- Meets or exceeds BIFMA x5.5 and CSA CAN/CGSB44.227 guidelines
- Warranty 15 yr.



## Model #

- EVOLVE2-MS-SLV
- EVOLVE2-MS-BLK
- EVOLVE2-MS-WHT

## Evolve monitor arm key

- F - Fixed monitor arm
- M - Motion monitor arm
- S - Slider mount

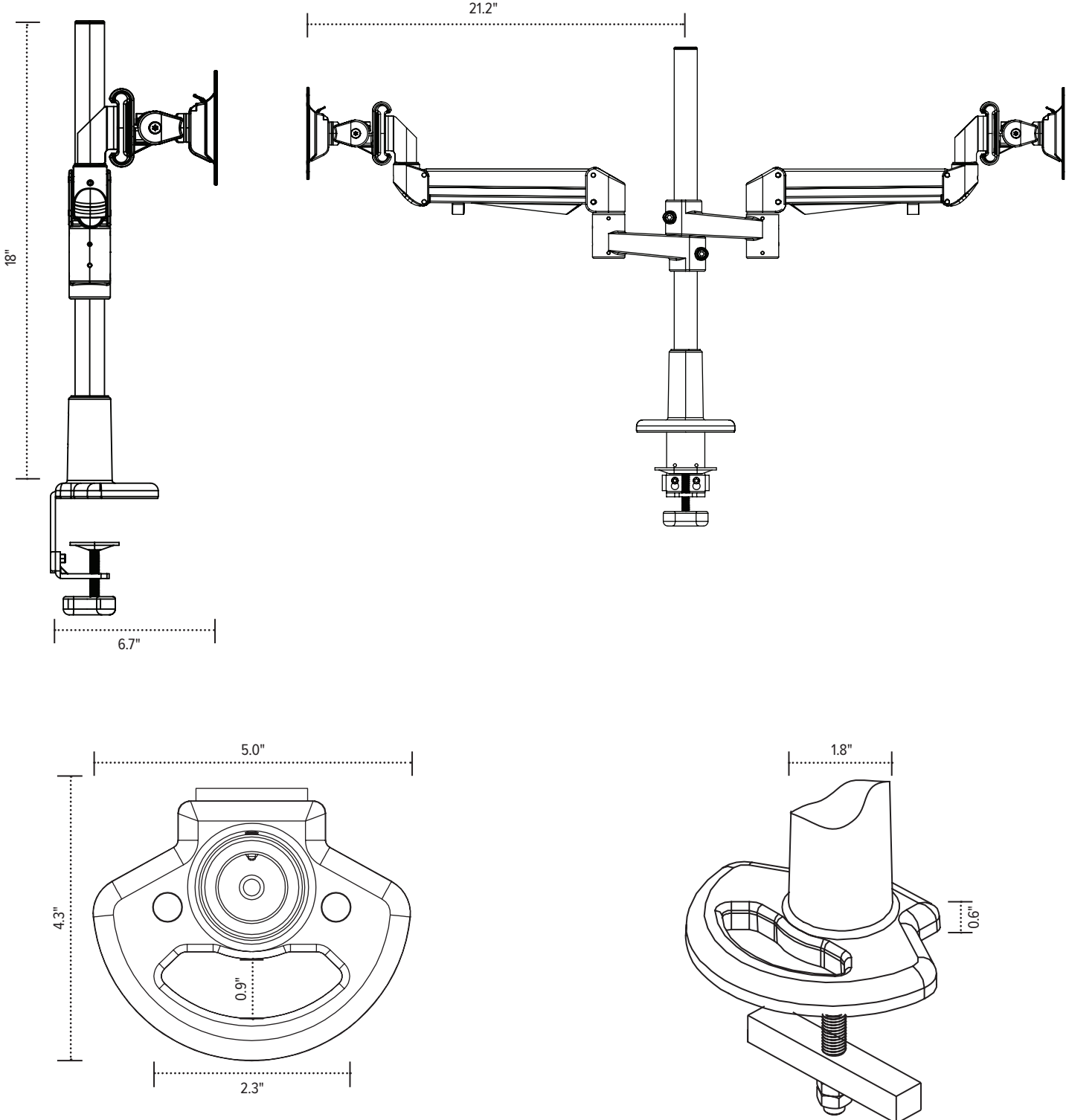
## Evolve for every need

- As workstation needs change, so can the Evolve configurations. Additional components sold separately
- Benching system mount(s) available

Call our Customer Service Department for compatibility and pricing for custom configurations.

# Evolve2-MS

Dual motion + slider monitor arm



# Evolve3-FF

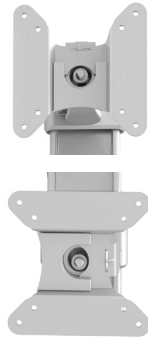
Triple fixed + fixed monitor arm



esi®



cable management



landscape/portrait rotation



grommet mount



desk clamp



VESA quick release



integrated allen key storage

## Product specs

- Manual height adjustment
- Recommended for worksurfaces 30.0" deep or less
- 23.10" outside arm extension
- 6.48" center arm extension
- 3.40" arm retraction
- +90°/-25° tilt
- ±90° VESA rotation
- Up to 20.0 lb. weight capacity (*per arm*)
- 19.70" pole height (*includes base*)
- VESA 75mm/100mm quick release
- 180° lock-out feature
- Desk clamp and grommet mount included
- 24.11" max. monitor width  
*Bezel measured left to right.*  
*Max. width is contingent on weight capacity.*
- Meets or exceeds BIFMA x5.5 and CSA CAN/CGSB44.227 guidelines
- Warranty: 15 yr.

GSA

## Model #

- EVOLVE3-FF-SLV
- EVOLVE3-FF-BLK
- EVOLVE3-FF-WHT

## Evolve monitor arm key

F - Fixed monitor arm

M - Motion monitor arm

S - Slider mount

## Evolve for every need

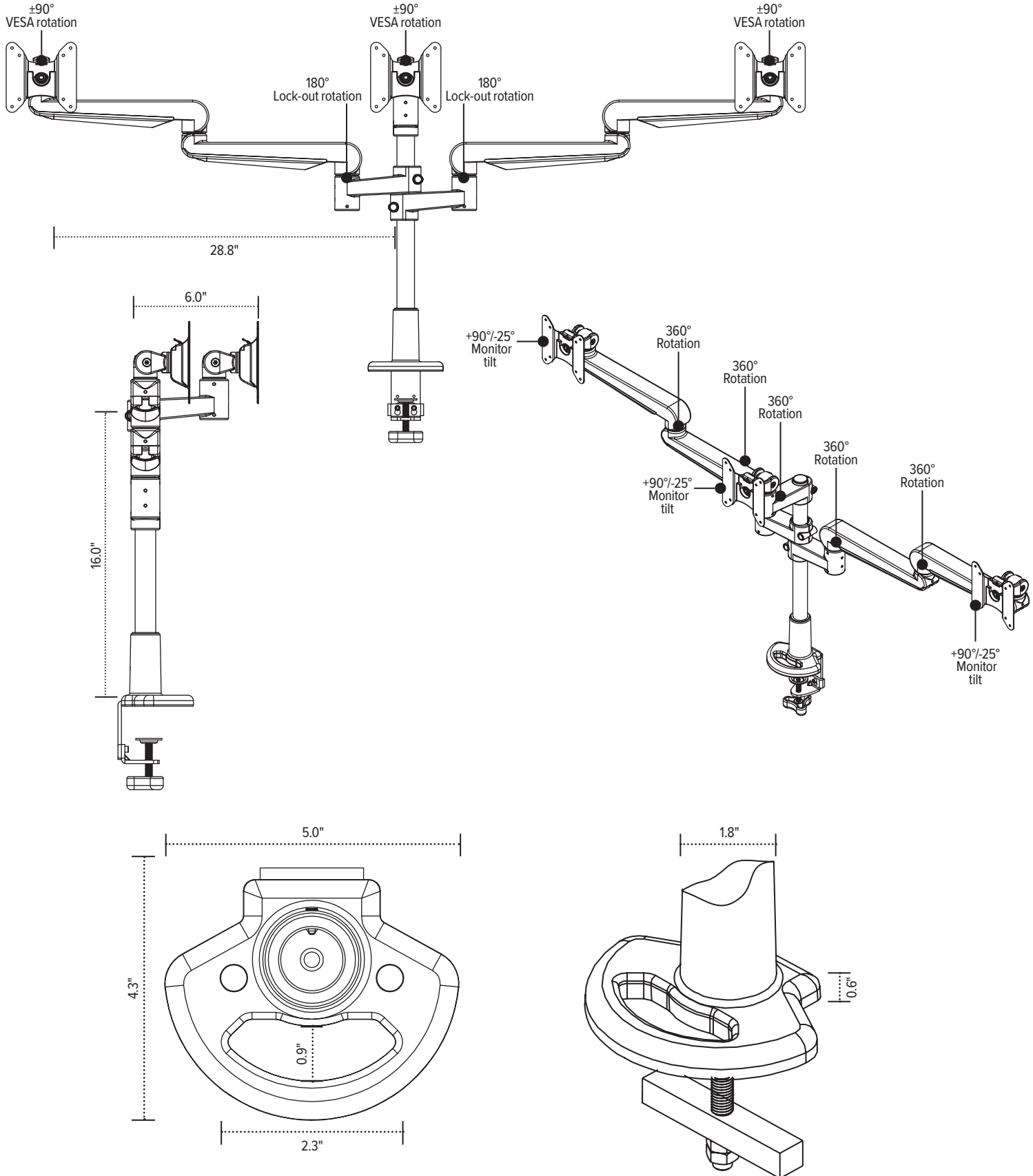
- As workstation needs change, so can the Evolve configurations. Additional components sold separately
- Benching system mount(s) available

Call our Customer Service Department for compatibility and pricing for custom configurations.

# Evolve3-FF



Triple fixed + fixed monitor arm

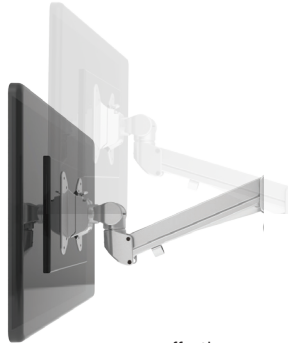


# Evolve3-FMS

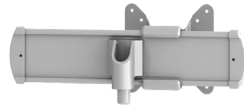
Triple fixed + motion + slider monitor arm



esi®



effortless adjustment



slider



cable management



landscape/portrait rotation



grommet mount



desk clamp



integrated allen key storage



VESA quick release

## Product specs

- Finger touch dynamic height adjustment
- Recommended for worksurfaces 30.0" deep or less
- 25.69" outside arm extension
- 6.48" center arm extension
- 5.74" arm retraction
- +80°/-60° monitor tilt (*slider mount*)
- +90°/-25° monitor tilt (*center mount*)
- ±90° VESA rotation
- Up to 20.0 lb. weight capacity (*center arm*)  
4.4 lb.-15.4 lb. weight capacity (*per outside arm*)
- 19.70" pole height (*includes base*)
- VESA 75mm/100mm quick release
- 180° lock-out feature
- Desk clamp and grommet mount included
- 28.80" max. monitor width  
*Bezel measured left to right.*  
*Max. width is contingent on weight capacity.*
- Slider provides 8.5" of additional horizontal adjustability
- Patented slider design for exclusive ESI use
- Meets or exceeds BIFMA x5.5 and CSA CAN/CGSB44.227 guidelines
- Warranty: 15 yr.



## Model #

- EVOLVE3-FMS-SLV
- EVOLVE3-FMS-BLK
- EVOLVE3-FMS-WHT

## Evolve monitor arm key

- F - Fixed monitor arm
- M - Motion monitor arm
- S - Slider mount

## Evolve for every need

- As workstation needs change, so can the Evolve configurations. Additional components sold separately
- Benching system mount(s) available

Call our Customer Service Department for compatibility and pricing for custom configurations.



# Evolve4-FF

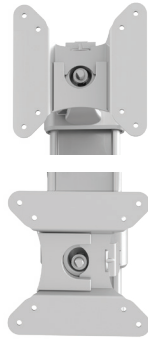
Quad fixed + fixed monitor arm



esi®



cable management



landscape/portrait rotation



grommet mount



desk clamp



VESA quick release



integrated allen key storage

## Product specs

- Manual height adjustment
- Recommended for worksurfaces 36.0" deep or less
- 23.10" arm extension
- 2.55" arm retraction
- +90°/-25° monitor tilt
- ±90° VESA rotation
- Up to 20.0 lb. weight capacity (*per arm*)
- 29.70" pole height (*includes base*)
- VESA 75mm/100mm quick release
- 180° lock-out feature
- Desk clamp and grommet mount included
- 48.98" max. monitor width  
*Bezel measured left to right.*  
*Max. width is contingent on weight capacity.*  
*Note: monitor height/weight might limit size.*
- Meets or exceeds BIFMA x5.5 and CSA CAN/CGSB44.227 guidelines
- Warranty: 15 yr.



## Model #

- EVOLVE4-FF-SLV
- EVOLVE4-FF-BLK
- EVOLVE4-FF-WHT

## Evolve monitor arm key

F - Fixed monitor arm

M - Motion monitor arm

S - Slider mount

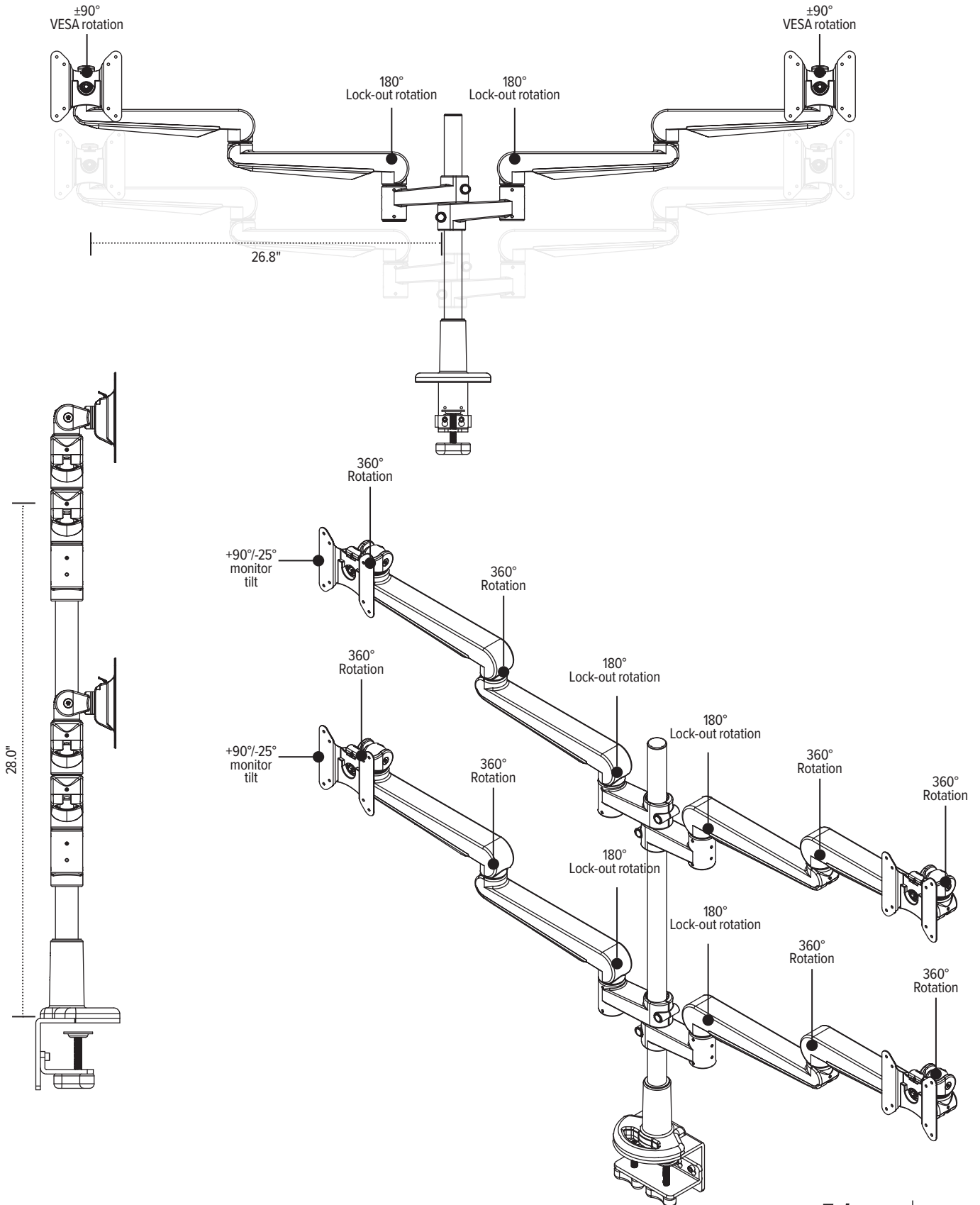
## Evolve for every need

- As workstation needs change, so can the Evolve configurations. Additional components sold separately
- Benching system mount(s) available

*Call our Customer Service Department for compatibility and pricing for custom configurations.*

# Evolve4-FF

Quad fixed + fixed monitor arm



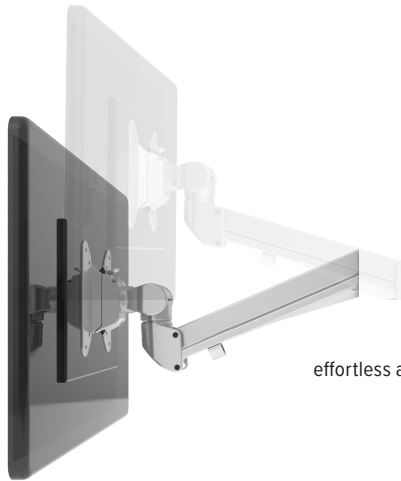


# Evolve4-FM

Quad fixed + motion monitor arm



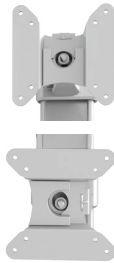
esi®



effortless adjustment



cable management



landscape/portrait rotation



grommet mount



desk clamp



integrated allen key storage



VESA quick release

## Product specs

- Finger touch dynamic height adjustment
- Recommended for worksurfaces 36.0" deep or less
- 23.17" arm extension
- 2.55" arm retraction
- +90°/-25° monitor tilt
- ±90° VESA rotation
- 6.5 lb.–17.6 lb. weight capacity (*per arm*)
- 29.70" pole height (*includes base*)
- VESA 75mm/100mm quick release
- 180° lock-out feature
- Desk clamp and grommet mount included
- 49.11" max. monitor width  
*Bezel measured left to right.*  
*Max. width is contingent on weight capacity.*  
*Note: monitor height/weight might limit size.*
- Meets or exceeds BIFMA x5.5 and CSA CAN/CGSB44.227 guidelines
- Warranty: 15 yr.



## Model #

- EVOLVE4-FM-SLV
- EVOLVE4-FM-BLK
- EVOLVE4-FM-WHT

## Evolve monitor arm key

- F - Fixed monitor arm
- M - Motion monitor arm
- S - Slider mount

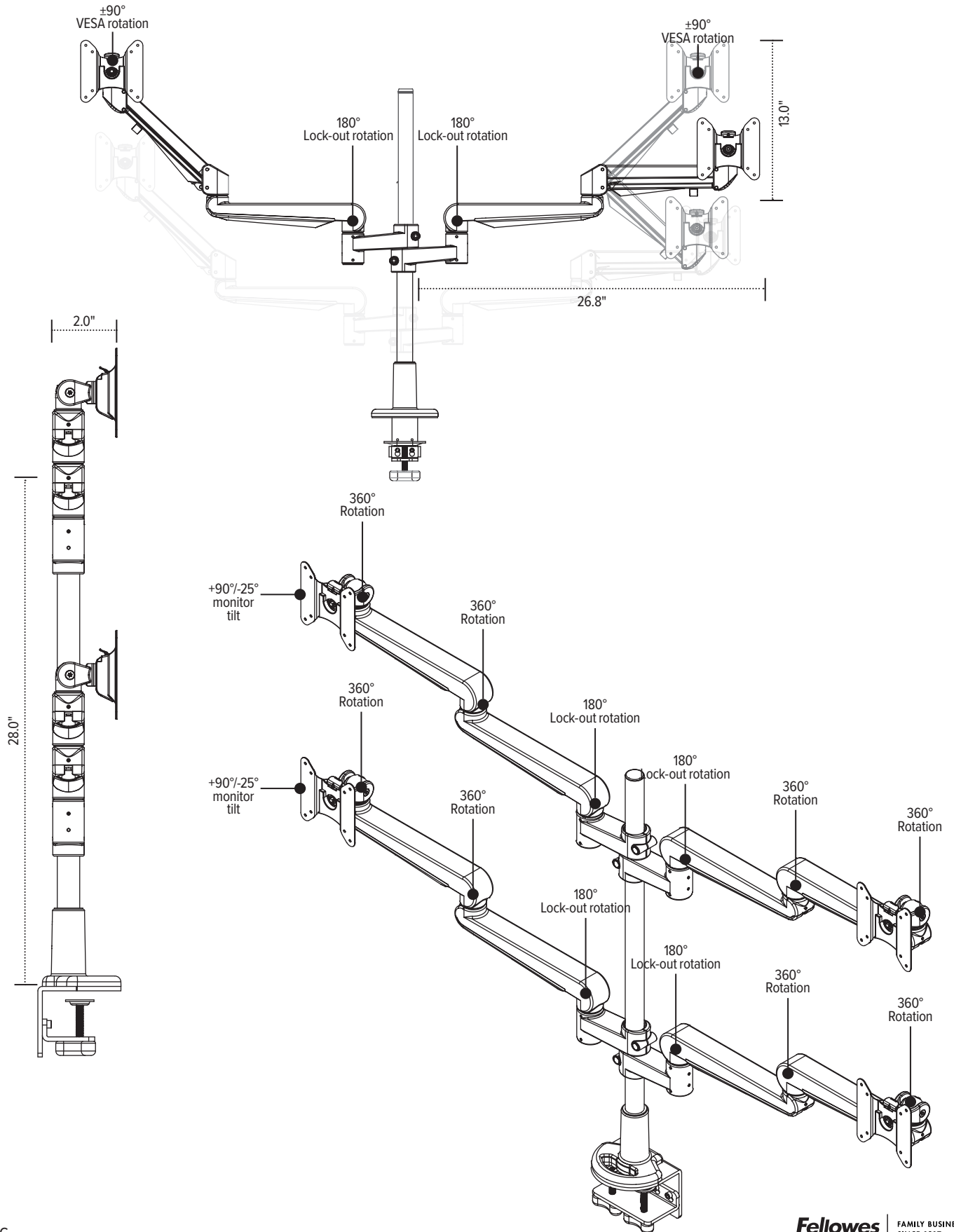
## Evolve for every need

- As workstation needs change, so can the Evolve configurations. Additional components sold separately
- Benching system mount(s) available

Call our Customer Service Department for compatibility and pricing for custom configurations.

# Evolve4-FM

Quad fixed + motion monitor arm

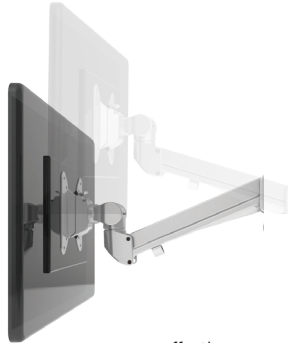


# Evolve4-FMS

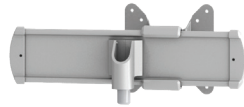
Quad fixed + motion + slider monitor arm



esi®



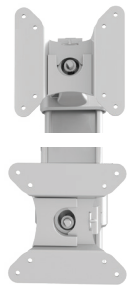
effortless adjustment



slider



cable management



landscape/portrait rotation



grommet mount



desk clamp



integrated allen key storage



VESA quick release

## Product specs

- Finger touch dynamic height adjustment
- Recommended for worksurfaces 36.0" deep or less
- 25.69" arm extension
- 5.07" arm retraction
- +80°/-60° monitor tilt
- ±90° VESA rotation
- 4.4 lb.–15.4 lb. weight capacity (*per arm*)
- 29.70" pole height (*includes base*)
- VESA 75mm/100mm quick release
- 180° lock-out feature
- Desk clamp and grommet mount included
- 57.61" max. monitor width  
*Bezel measured left to right.*  
*Max. width is contingent on weight capacity.*  
*Note: monitor height/weight might limit size.*
- Slider provides 8.5" of additional horizontal adjustability
- Patented slider design for exclusive ESI use
- Meets or exceeds BIFMA x5.5 and CSA CAN/CGSB44.227 guidelines
- Warranty: 15 yr.



## Model #

- EVOLVE4-FMS-SLV
- EVOLVE4-FMS-BLK
- EVOLVE4-FMS-WHT

## Evolve monitor arm key

- F - Fixed monitor arm
- M - Motion monitor arm
- S - Slider mount

## Evolve for every need

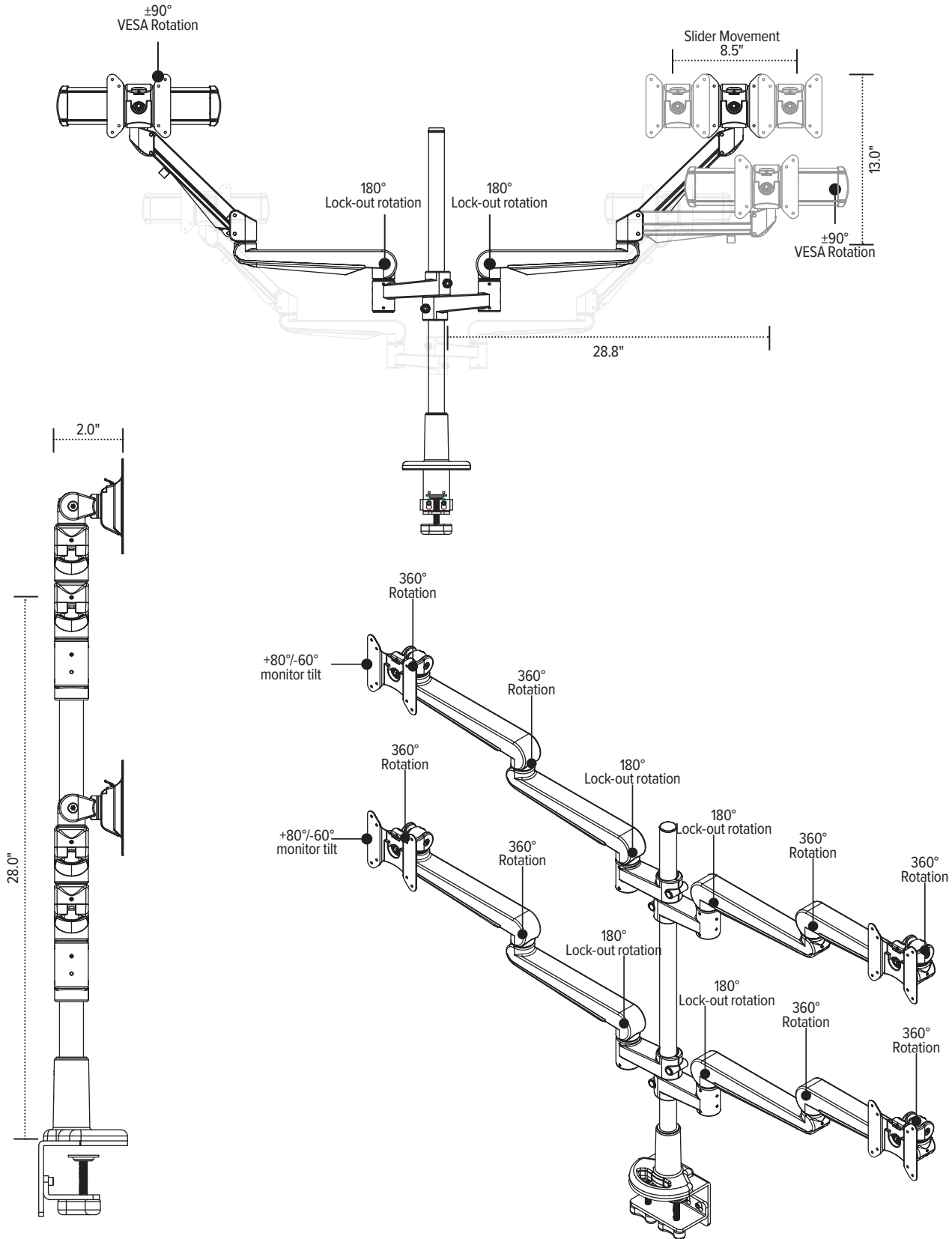
- As workstation needs change, so can the Evolve configurations. Additional components sold separately.
- Benching system mount(s) available.

Call our Customer Service Department for compatibility and pricing for custom configurations.

# Evolve4-FMS



Quad fixed + motion + slider monitor arm

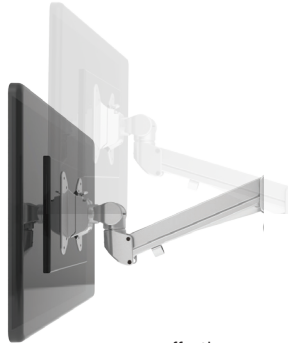


# Evolve4-MS

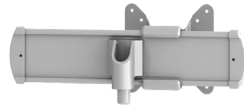
Quad motion + slider monitor arm



esi®



effortless adjustment



slider



cable management



landscape/portrait rotation



grommet mount



desk clamp



integrated allen key storage



VESA quick release

## Product specs

- Finger touch dynamic height adjustment
- Recommended for worksurfaces 30.0" deep or less
- 15.41" arm extension
- 5.07" arm retraction
- +80°/-60° monitor tilt
- ±90° VESA rotation
- 4.4 lb.–15.4 lb. weight capacity (*per arm*)
- 29.70" pole height (*includes base*)
- VESA 75mm/100mm quick release
- 180° lock-out feature
- Desk clamp and grommet mount included
- 37.06" max. monitor width  
*Bezel measured left to right.*  
*Max. width is contingent on weight capacity.*  
*Note: monitor height/weight might limit size.*
- Slider provides 8.5" of additional horizontal adjustability
- Patented slider design for exclusive ESI use
- Meets or exceeds BIFMA x5.5 and CSA CAN/CGSB44.227 guidelines
- Warranty: 15 yr.



## Model #

- EVOLVE4-MS-SLV
- EVOLVE4-MS-BLK
- EVOLVE4-MS-WHT

## Evolve monitor arm key

- F - Fixed monitor arm
- M - Motion monitor arm
- S - Slider mount

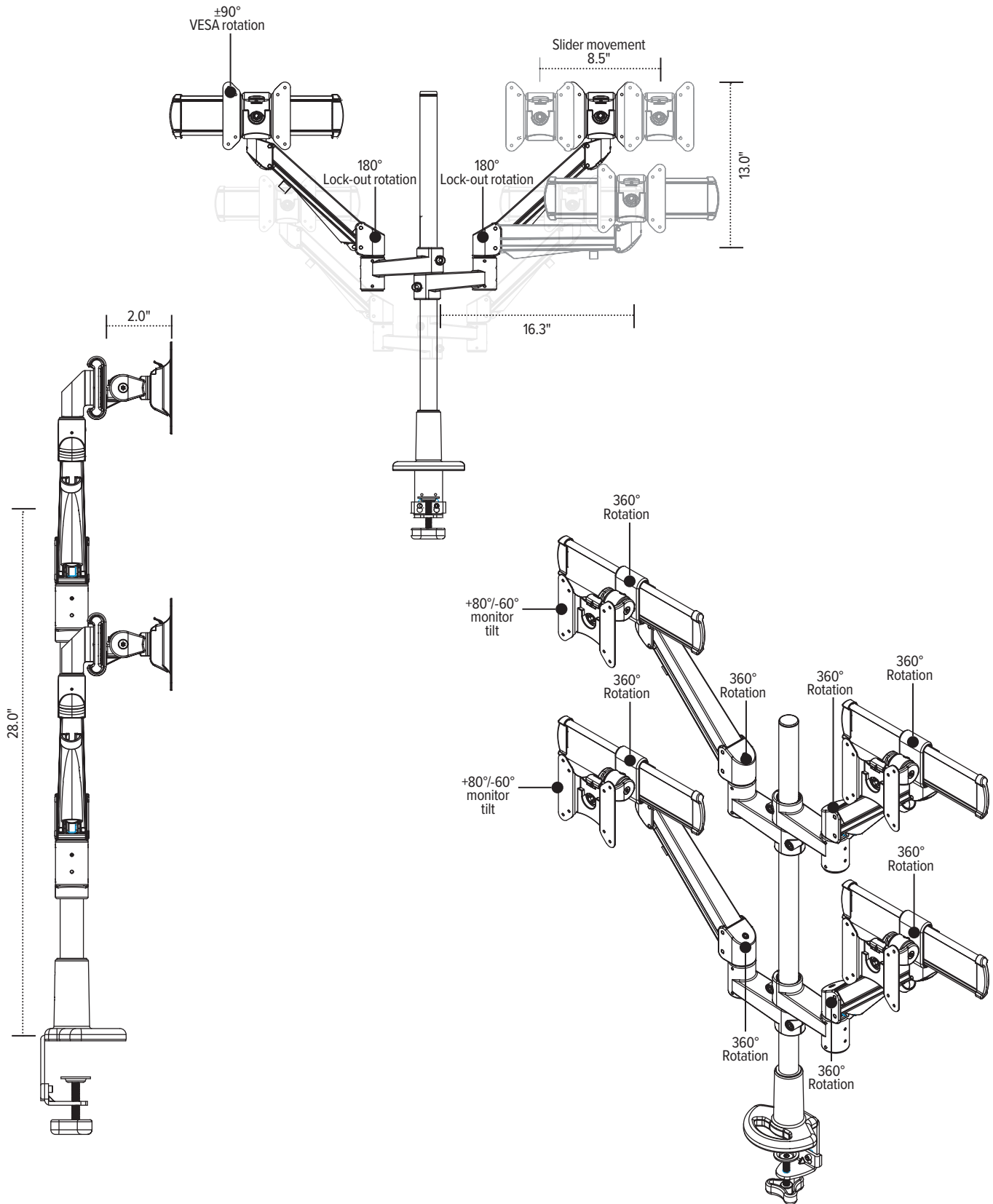
## Evolve for every need

- As workstation needs change, so can the Evolve configurations. Additional components sold separately
- Benching system mount(s) available

Call our Customer Service Department for compatibility and pricing for custom configurations.

# Evolve4-MS

Quad motion + slider monitor arm



# Evolve6-FF

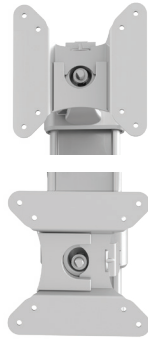
six fixed + fixed monitor arm



esi®



cable management



landscape/portrait rotation



grommet mount



desk clamp



VESA quick release



integrated allen key storage

## Product specs

- Manual height adjustment
- Recommended for worksurfaces 30.0" deep or less
- 23.10" outside arm extension
- 6.48" center arm extension
- 2.55" arm retraction
- +90°/-25° monitor tilt
- ±90° VESA rotation
- Up to 20.0lb. weight capacity (*per arm*)
- 29.70" pole height (*includes base*)
- VESA 75mm/100mm quick release
- 180° lock-out feature
- Desk clamp and grommet mount included
- 24.49" max. monitor width  
*Bezel measured left to right.*  
*Max. width is contingent on weight capacity.*  
*Note: monitor height/weight might limit size.*
- Meets or exceeds BIFMA x5.5 and CSA CAN/CGSB44.227 guidelines
- Warranty: 15 yr.



## Model #

- EVOLVE6-FF-SLV
- EVOLVE6-FF-BLK
- EVOLVE6-FF-WHT

## Evolve monitor arm key

F - Fixed monitor arm

M - Motion monitor arm

S - Slider mount

## Evolve for every need

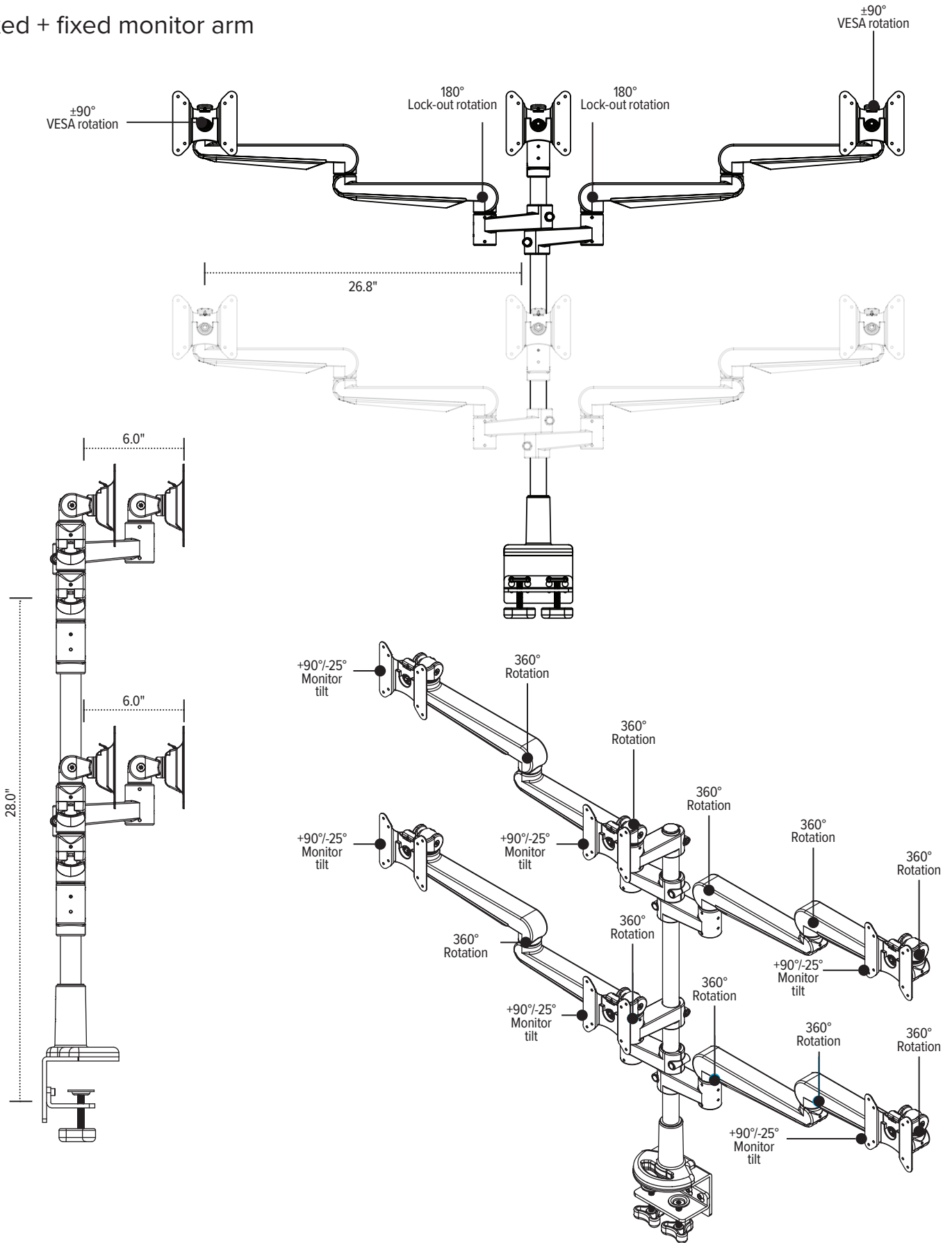
- As workstation needs change, so can the Evolve configurations. Additional components sold separately
- Benching system mount(s) available

*Call our Customer Service Department for compatibility and pricing for custom configurations.*

# Evolve6-FF

six fixed + fixed monitor arm

esi®



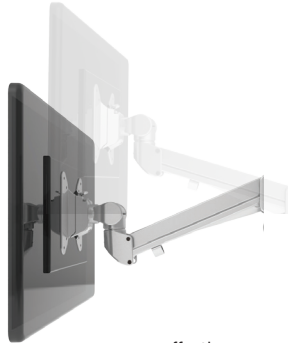


# Evolve6-FMS

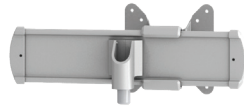
Six fixed + motion + slider monitor arm



esi®



effortless adjustment



slider



cable management



landscape/portrait rotation



grommet mount



desk clamp



integrated allen key storage



VESA quick release

## Product specs

- Finger touch dynamic height adjustment
- Recommended for worksurfaces 30.0" deep or less
- 25.69" outside arm extension
- 6.48" center arm extension
- 5.07" arm retraction
- +80°/-60° monitor tilt (*slider mount*)
- +90°/-25° monitor tilt (*center mount*)
- ±90° VESA rotation
- Up to 20.0 lb. weight capacity (*per center arm*)  
4.4 lb.-15.4 lb. weight capacity (*per outside arm*)
- 29.70" pole height (*includes base*)
- VESA 75mm/100mm quick release
- 180° lock-out feature
- Desk clamp and grommet mount included
- 28.81" max. monitor width  
*Bezel measured left to right.*  
*Max. width is contingent on weight capacity.*  
*Note: monitor height/weight might limit size.*
- Slider provides 8.5" of additional horizontal adjustability
- Patented slider design for exclusive ESI use
- Meets or exceeds BIFMA x5.5 and CSA CAN/CGSB44.227 guidelines
- Warranty: 15 yr.



## Model #

- EVOLVE6-FMS-SLV
- EVOLVE6-FMS-BLK
- EVOLVE6-FMS-WHT

## Evolve monitor arm key

F - Fixed monitor arm

M - Motion monitor arm

S - Slider mount

## Evolve for every need

- As workstation needs change, so can the Evolve configurations. Additional components sold separately
- Benching system mount(s) available

Call our Customer Service Department for compatibility and pricing for custom configurations.

# Evolve6-FMS



Six fixed + motion + slider monitor arm

