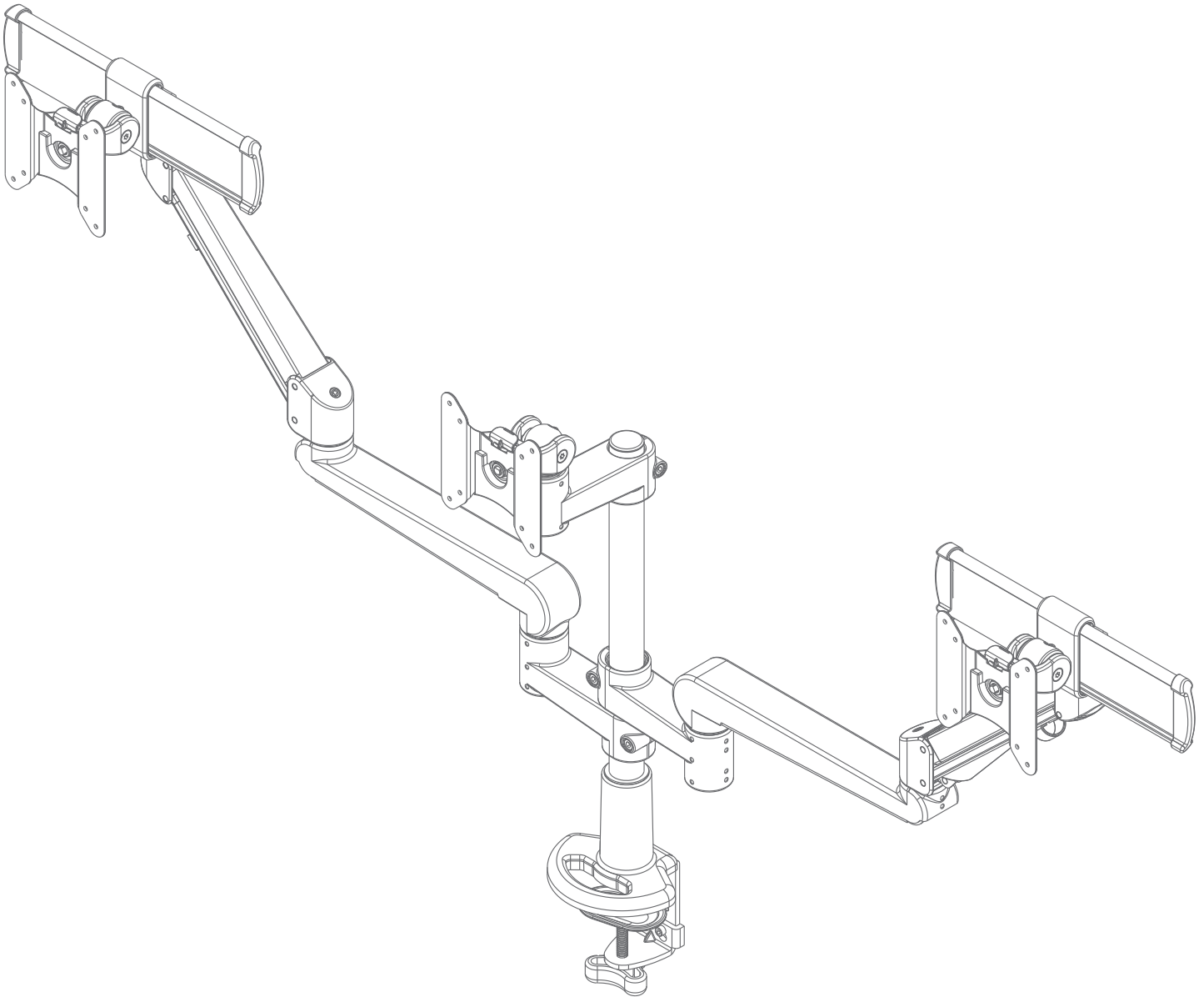


# EVOLVE SERIES: Disassembly Instructions

---

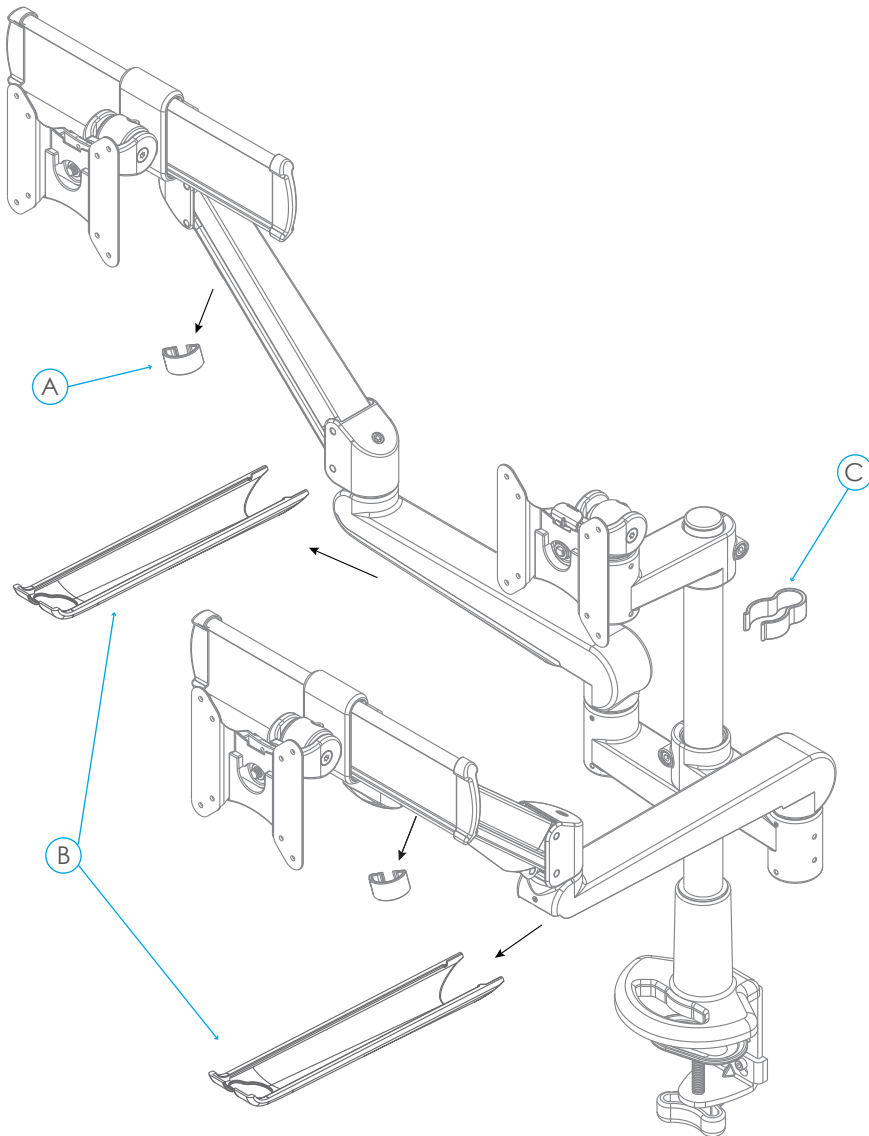
EVOLVE SERIES Assembled

APPLIES TO: Entire EVOLVE Series & the EDV-SLD



# EVOLVE SERIES: Disassembly

EVOLVE SERIES Components for breakdown



## Material Identification

- A: Wire Management Clip  
- Plastic
- B: Wire Management Channel  
- Plastic
- C: Wire Management Pole Clip  
- Plastic

### Recommended Tools



Gloves



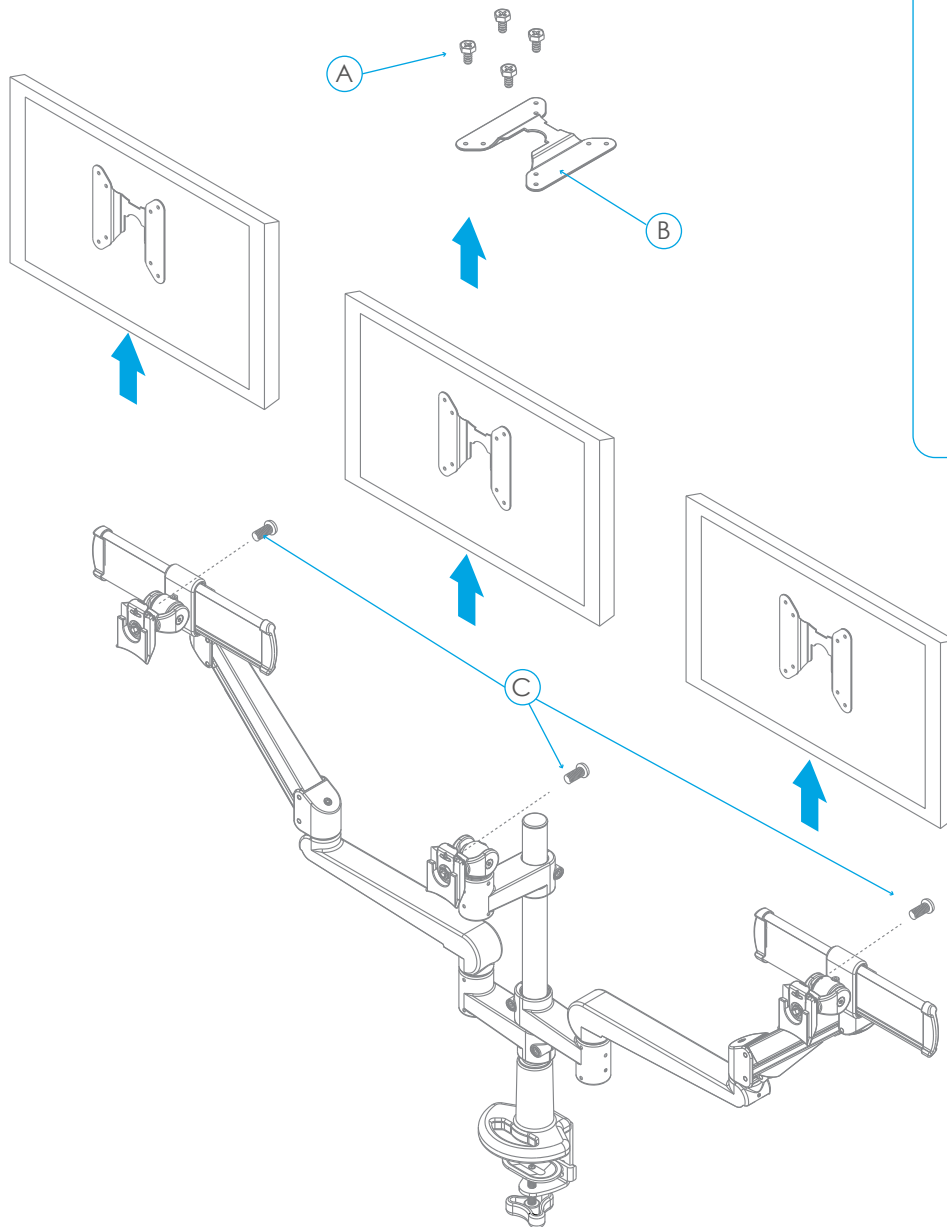
Goggles



Phillips Screwdriver

# EVOLVE SERIES: Disassembly

EVOLVE SERIES Components for breakdown



## Material Identification

A: Screws

- Steel 

B: Vesa Plate

- Steel 

C: Screws

- Steel 

### Recommended Tools



Gloves



Goggles



Phillips Screwdriver

# EVOLVE SERIES: Disassembly

EVOLVE SERIES Components for breakdown

## Material Identification

A: Screws

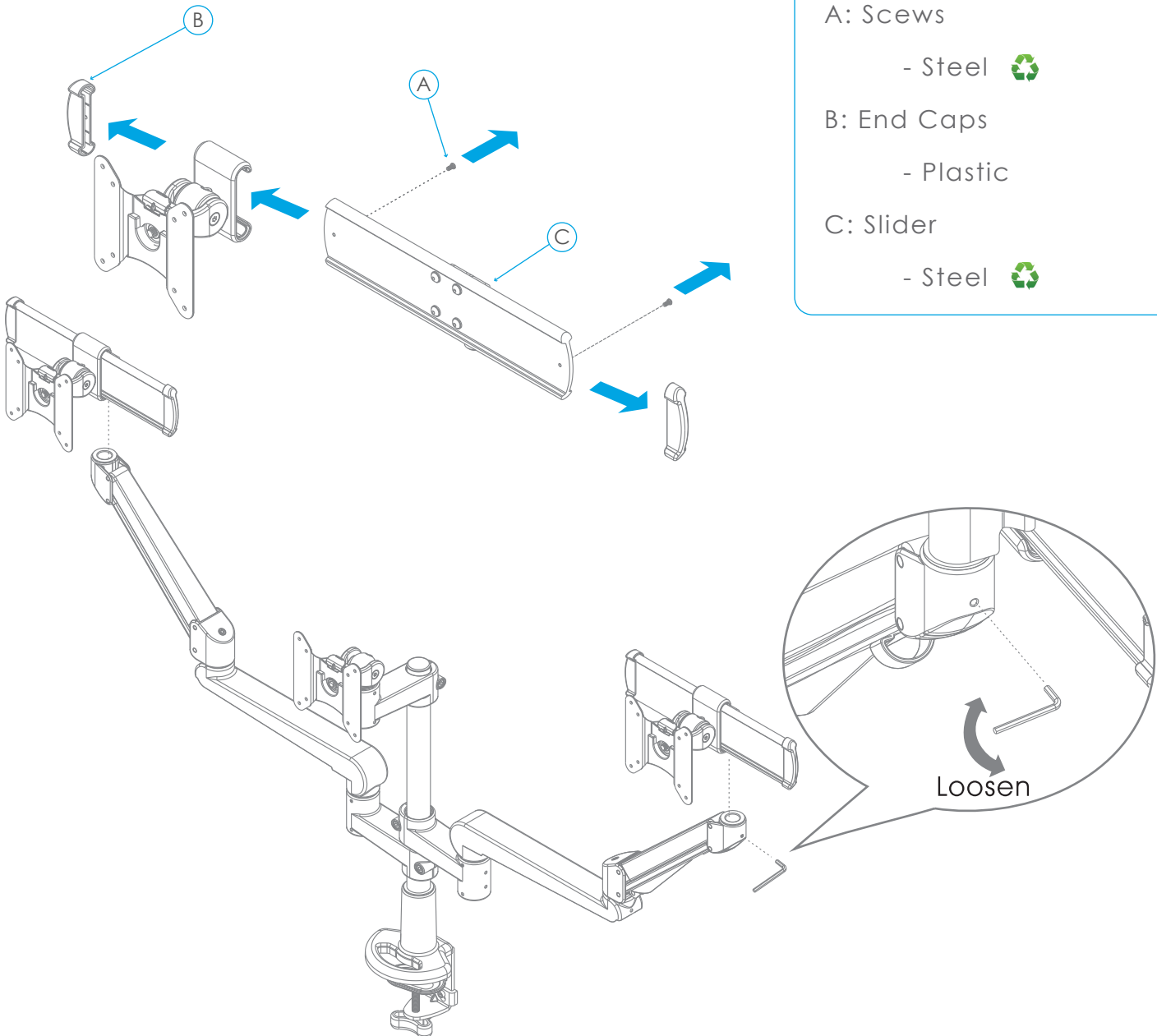
- Steel 

B: End Caps

- Plastic

C: Slider

- Steel 



### Recommended Tools



Gloves



Goggles



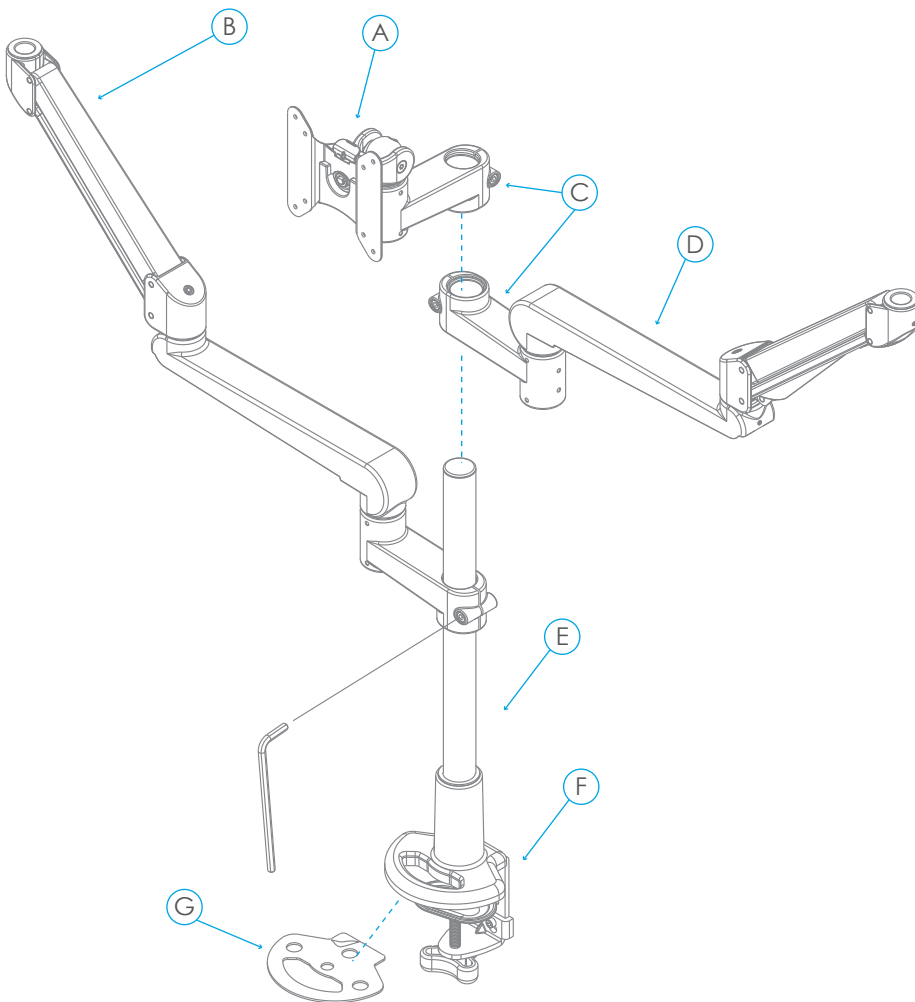
Phillips Screwdriver



2mm Allen Wrench

# EVOLVE SERIES: Disassembly

EVOLVE SERIES Components for breakdown



## Material Identification

A: Vesa Mount

- Steel

B: Motion Arm

- Steel

C: Arm Stem

- Steel

D: Fixed Arm

- Steel

E: Pole

- Steel

F: Grommet

- Steel

G: Adhesive Pad

- Rubber

### Recommended Tools



Gloves



Goggles



5mm Allen Wrench