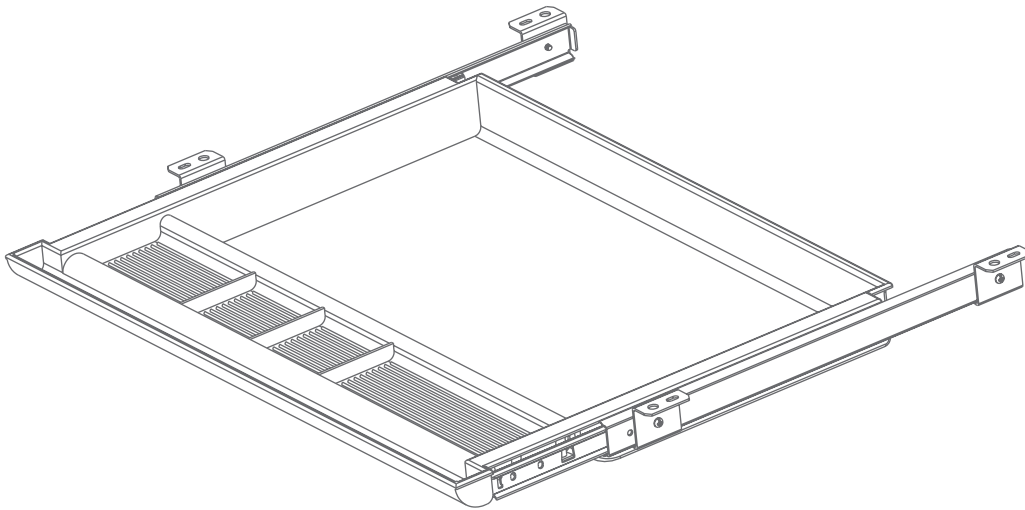


# ACPD01: Disassembly Instructions




ACPD01 Assembled

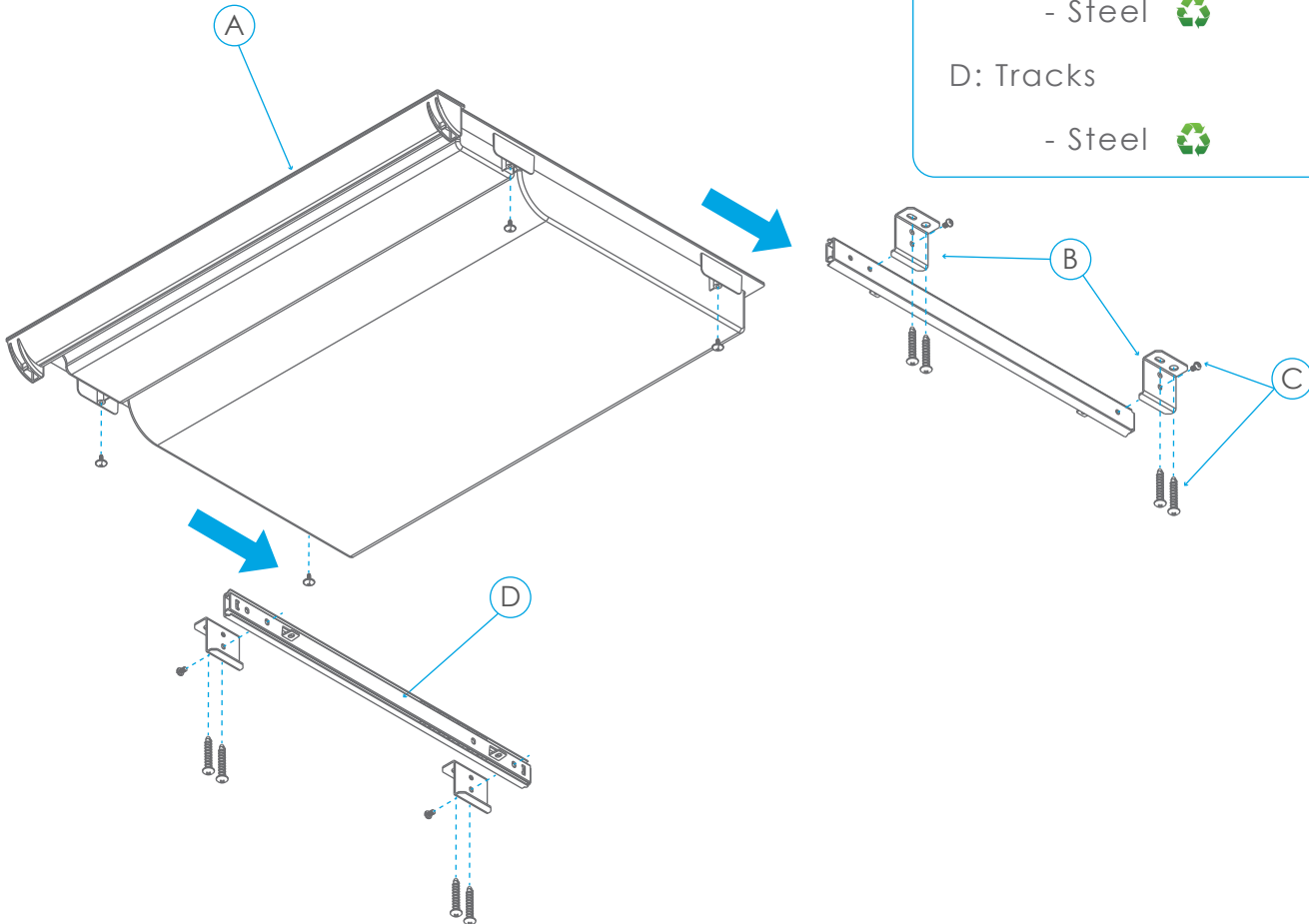


# ACPD01: Disassembly

ACOD01 Components for breakdown

### Material Identification

- A: Drawer
  - Plastic
- B: Brackets
  - Steel 
- C: Screws
  - Steel 
- D: Tracks
  - Steel 



### Recommended Tools



Gloves



Goggles



Phillips Screwdriver