

# ACPD01

DRAWER SLIDE

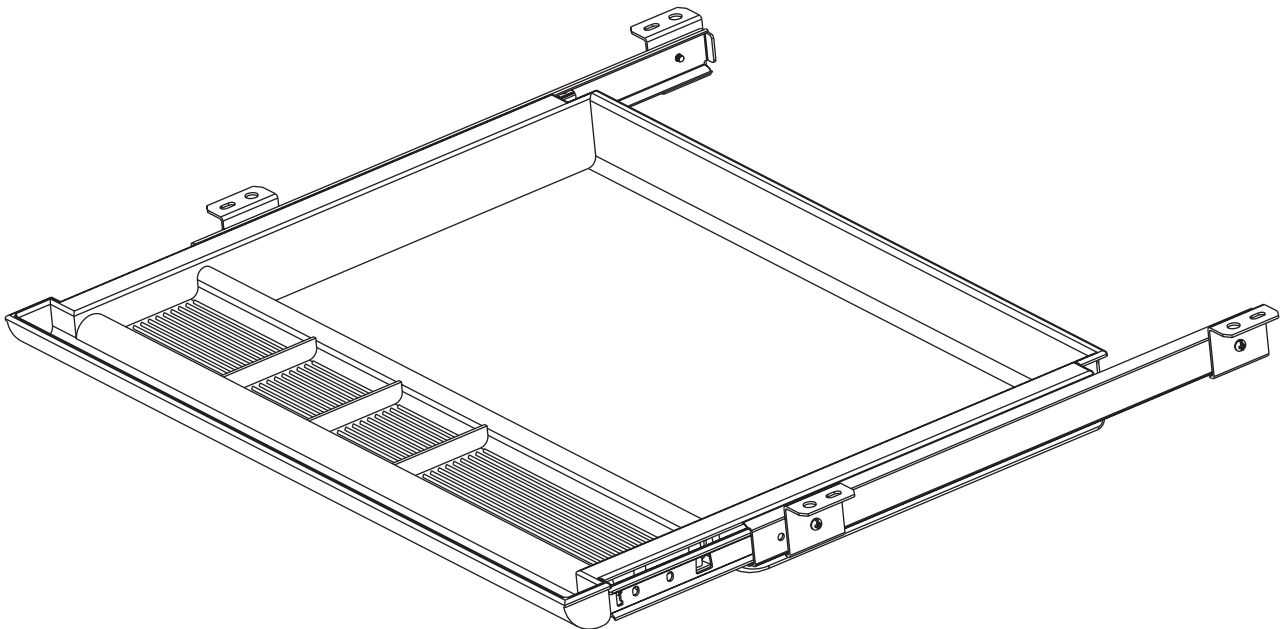
VERSION A

INSTRUCTION MANUAL



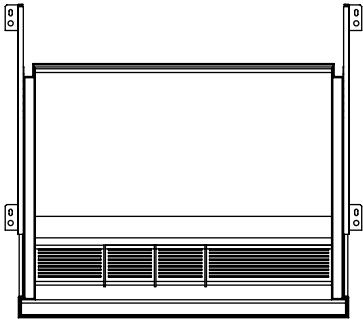
## CONTENTS:

- (1) CENTER DRAWER
- (4) METAL SCREWS
- (4) SILVER METAL BRACKETS
- (8) WOOD SCREWS



# PARTS LIST

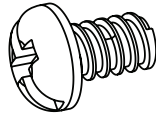
**A**



Qty: 1

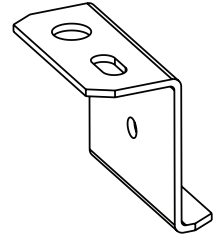
**B**

**Metal Screws  
M5**



Qty: 4

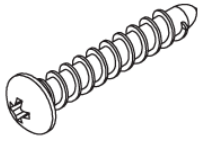
**C**



Qty: 4

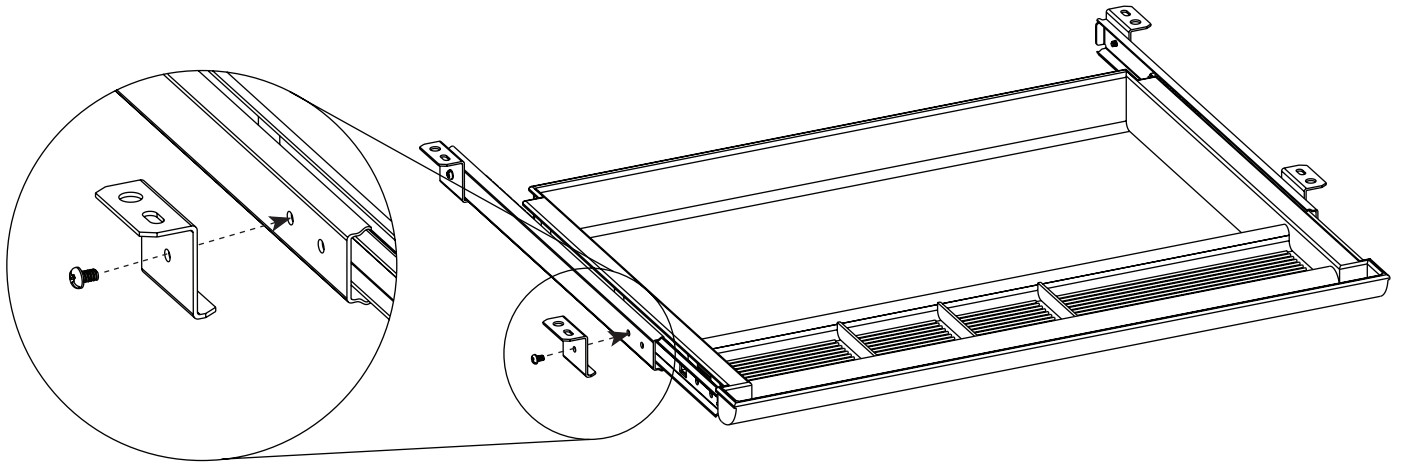
**D**

**Wood Screws  
4-L16 mm**



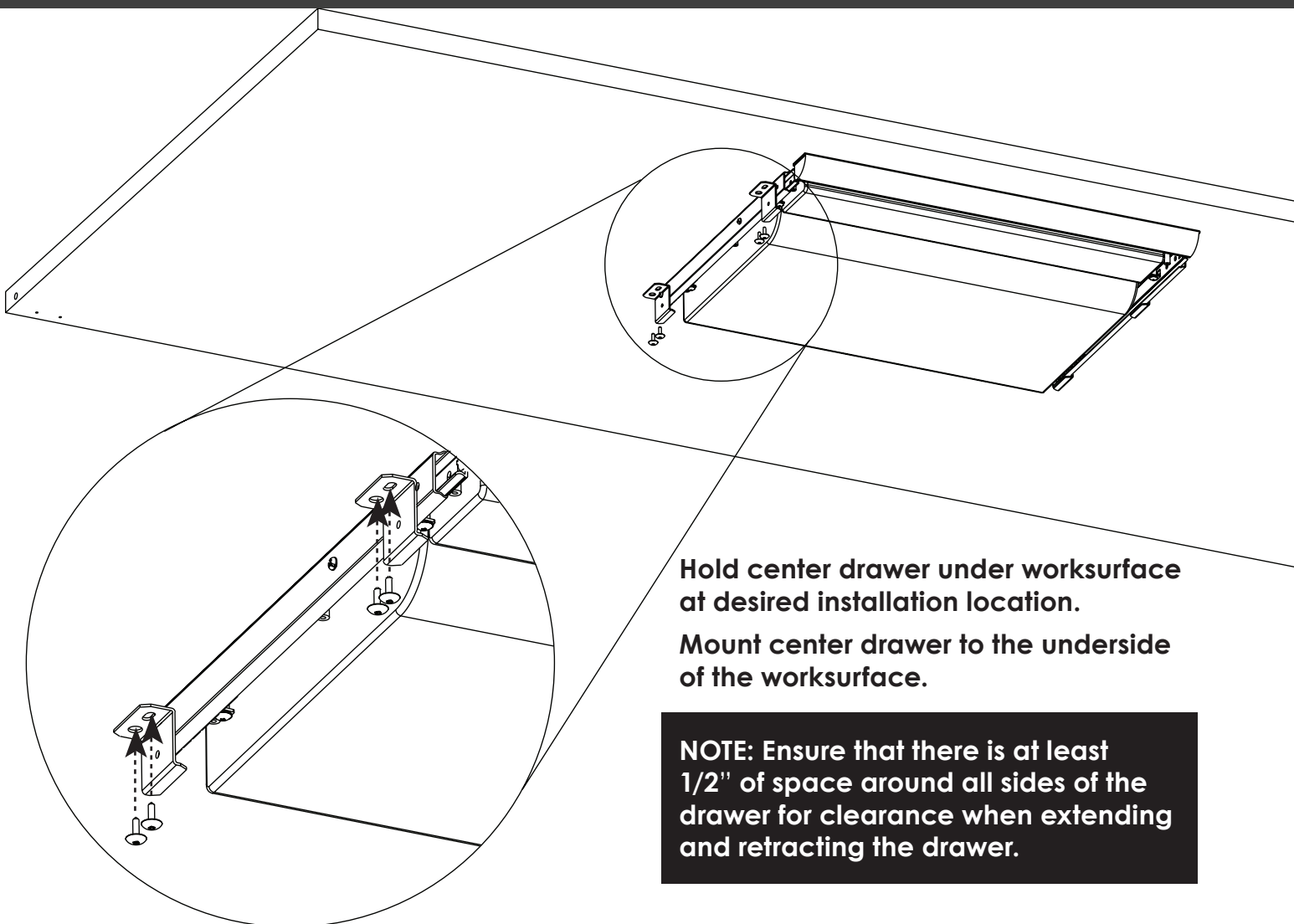
Qty: 8

## STEP 1



Mount silver metal brackets to slides on both sides of the center drawer.

## STEP 2



Hold center drawer under worksurface at desired installation location.

Mount center drawer to the underside of the worksurface.

**NOTE:** Ensure that there is at least 1/2" of space around all sides of the drawer for clearance when extending and retracting the drawer.



**PHONE: 800.800.833.3746**

**EMAIL: [customerservice@esiergo.com](mailto:customerservice@esiergo.com)**

**WEB: [esiergo.com](http://esiergo.com)**