



Evolve2combo

Evolve2-FMS + LTH-Edge

Evolve2combo

Evolve2-FMS + LTH-Edge



cable management



VESA quick release



grommet mount



desk clamp



integrated allen key storage



landscape/portrait rotation

Product specs

- 10.3" laptop tray width
- 12.0"–18.3" laptop tray adjustable depth
- Laptop tray can accommodate laptop alone or laptop with docking station
- 28.8" arm extension
- 6.0" arm extension
- 4.0" retraction
- +80°/-60° tilt
- ±90° rotation
- Monitor supporting arm:
4.4 lbs.–15.4 lbs. weight capacity
- Laptop supporting arm:
7 lbs. weight capacity
- 16.0" pole height
- VESA quick release
- 180° lock-out feature
- Desk clamp and grommet mount included
- 32.0" max. monitor width
(bezel measured left to right)
- Warranty: 15 yrs.

GSA

Model

- EVOLVE2COMBO-SLV

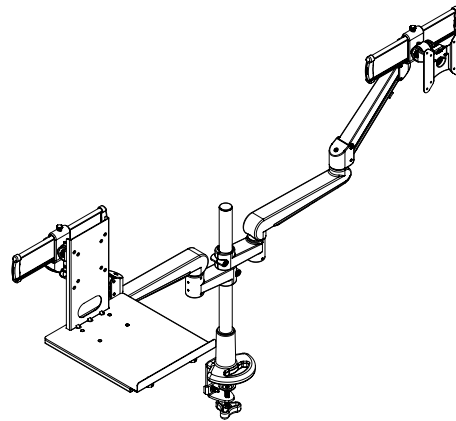
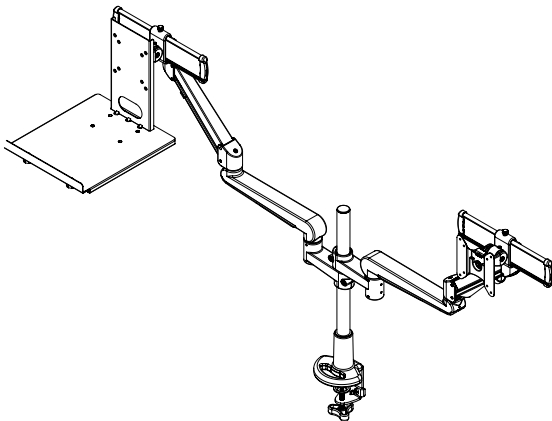
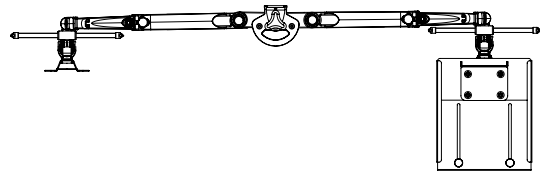
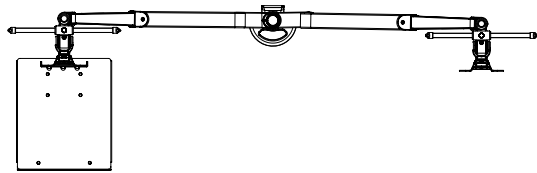
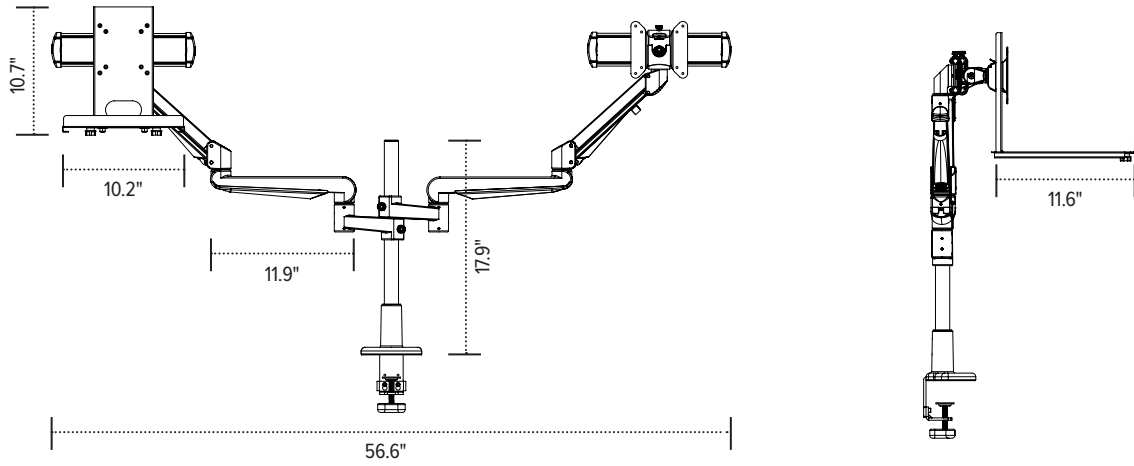
esi

800.833.3746
esiergo.com



Evolve2combo

Evolve2-FMS + LTH-Edge



esi

800.833.3746
esiergo.com