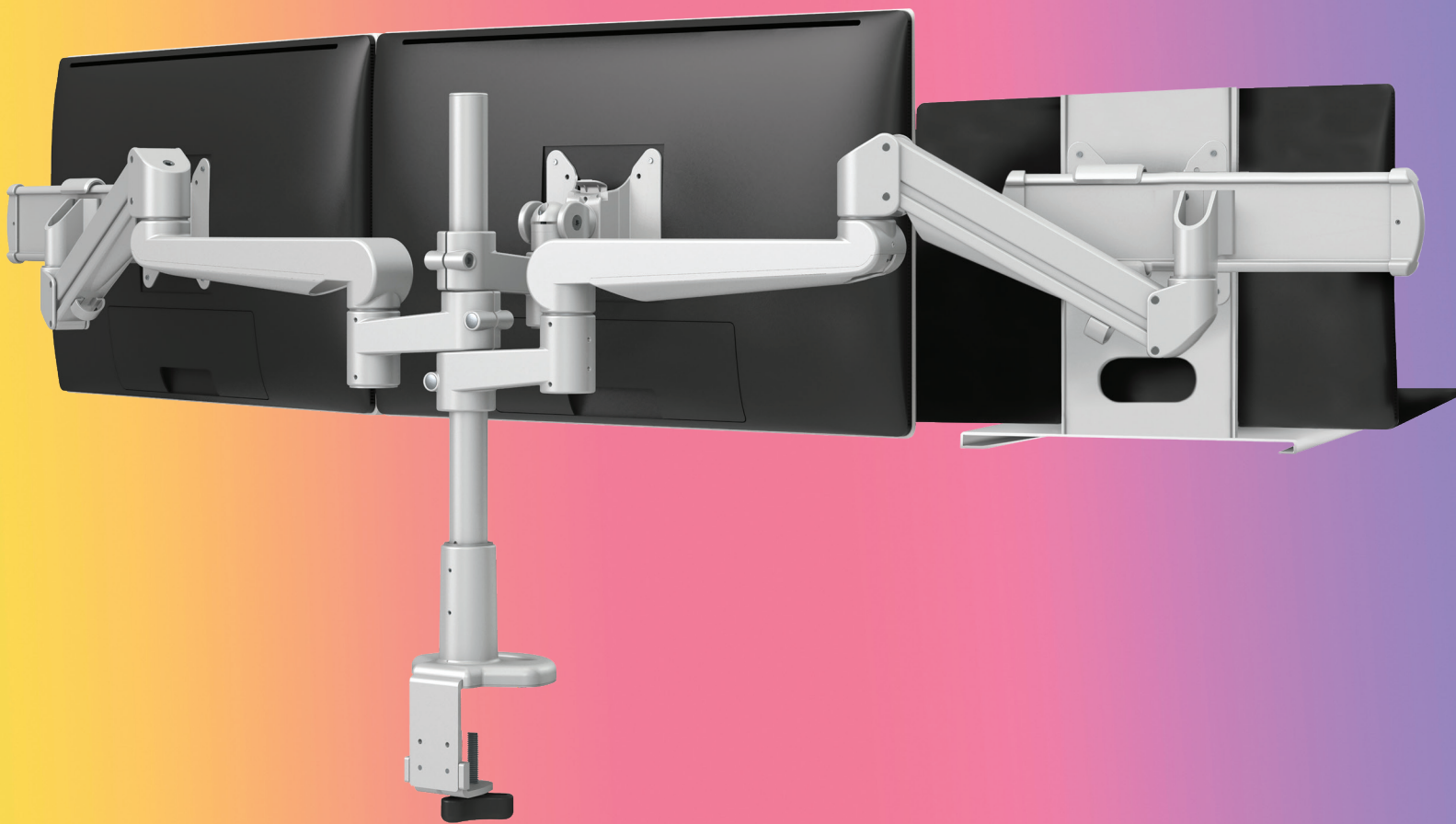


esi | work gear



# Evolve3combo

Evolve3-FMS + LTH-Edge

# Evolve3combo

Evolve3-FMS + LTH-Edge



cable management



VESA quick release



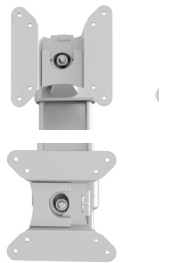
grommet mount



desk clamp



integrated allen key storage



landscape/portrait rotation

## Product specs

- 10.3" laptop tray width
- 12.0"–18.3" laptop tray adjustable depth
- Laptop tray can accommodate laptop alone or laptop with docking station
- 28.8" outside arm extension
- 6.0" center arm extension
- 4.0" retraction
- +80°/-60° tilt
- ±90° rotation
- Monitor supporting arm:  
4.4 lbs.–15.4 lbs. weight capacity
- Laptop supporting arm:  
7 lbs. weight capacity
- 16.0" pole height
- VESA quick release
- 180° lock-out feature
- Desk clamp and grommet mount included
- 32.0" max. monitor width  
(bezel measured left to right)
- Warranty: 15 yrs.

GSA

## Model #

- EVOLVE3COMBO-SLV

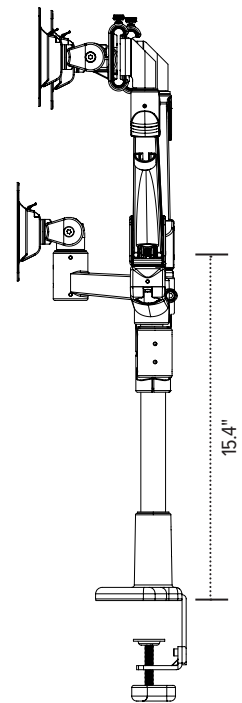
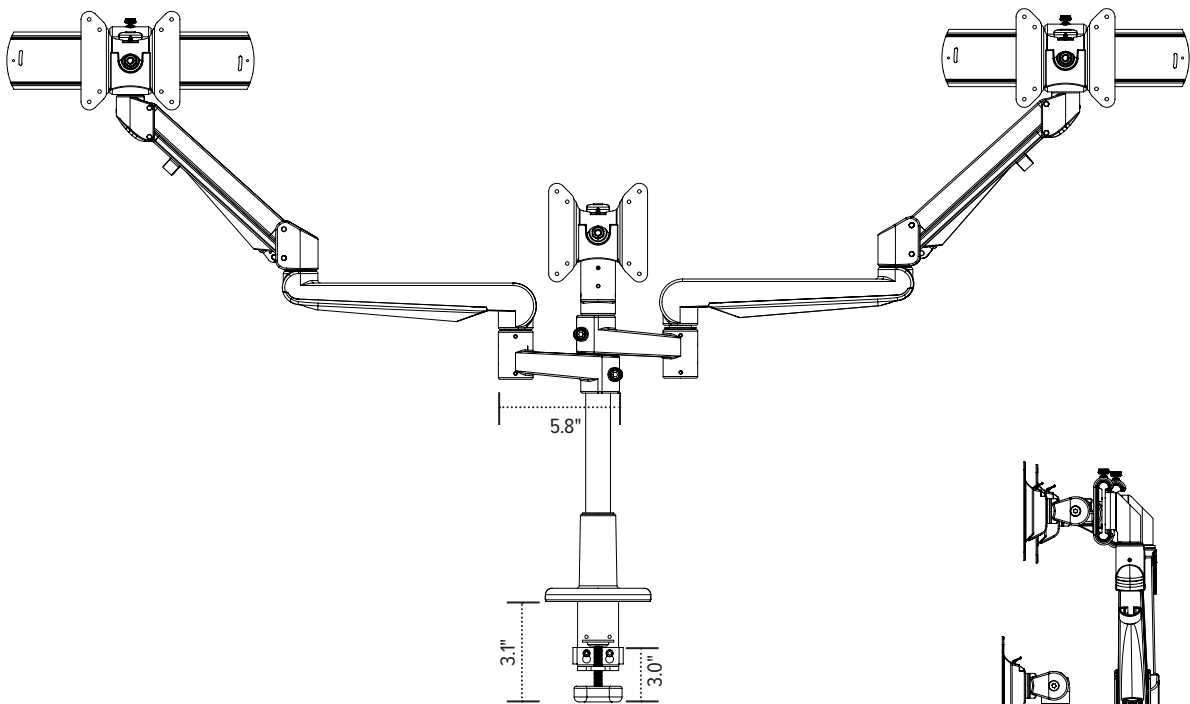
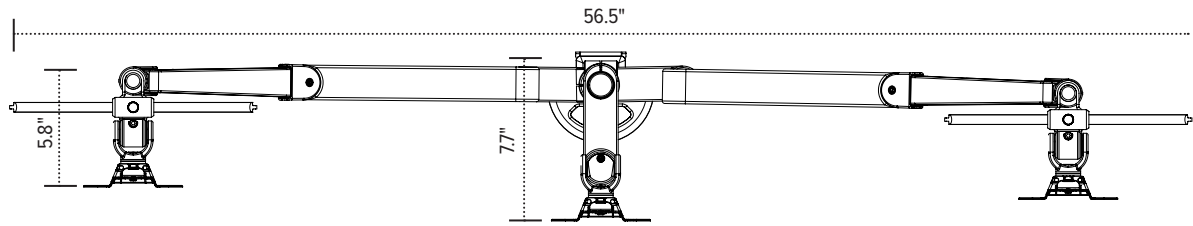
esi

800.833.3746  
esiergo.com



# Evolve3combo

Evolve3-FMS + LTH-Edge



esi

800.833.3746  
esiergo.com