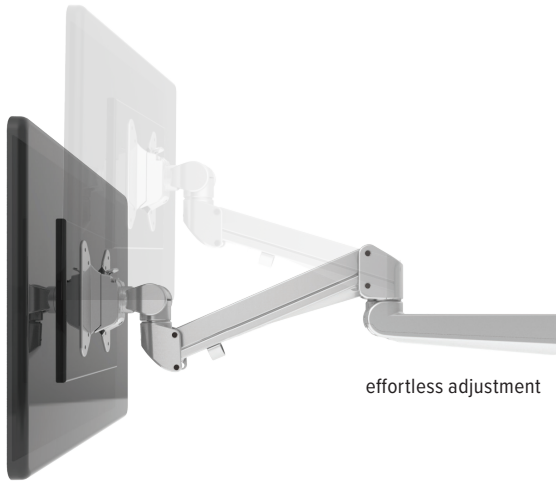


# Edge

Single monitor arm



# esi®



effortless adjustment



cable management



landscape/portrait rotation



grommet mount



desk clamp



integrated allen key storage



VESA quick release

## Product specs

- Finger touch dynamic height adjustment
- Recommended for worksurfaces 36.0" deep or less
- 12.09" height adjustment range
  - 7.68-19.78" (low/high)
- 21.55" arm extension
- 3.22" arm retraction
- $\pm 90^\circ$  monitor tilt
- $\pm 90^\circ$  VESA rotation
- 6.5 lb.-17.6 lb. weight capacity
- VESA 75mm/100mm quick release
- 180° lock-out feature
- Desk clamp and grommet mount included
- Meets or exceeds BIFMA x5.5 and CSA CAN/CGSB44.227 guidelines
- Benching system mount(s) available. Call the Customer Service Dept for details
- Warranty: 15 yr.



## Model #

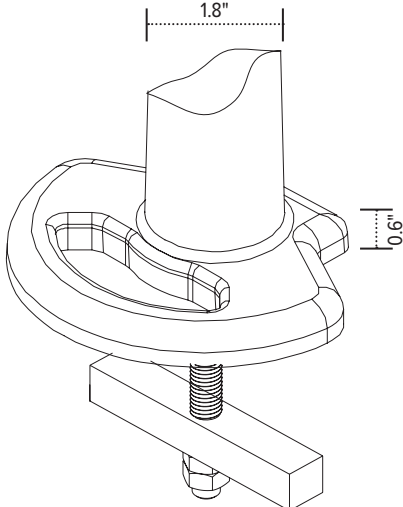
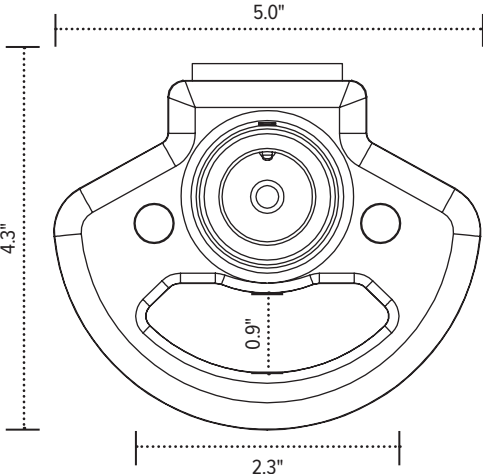
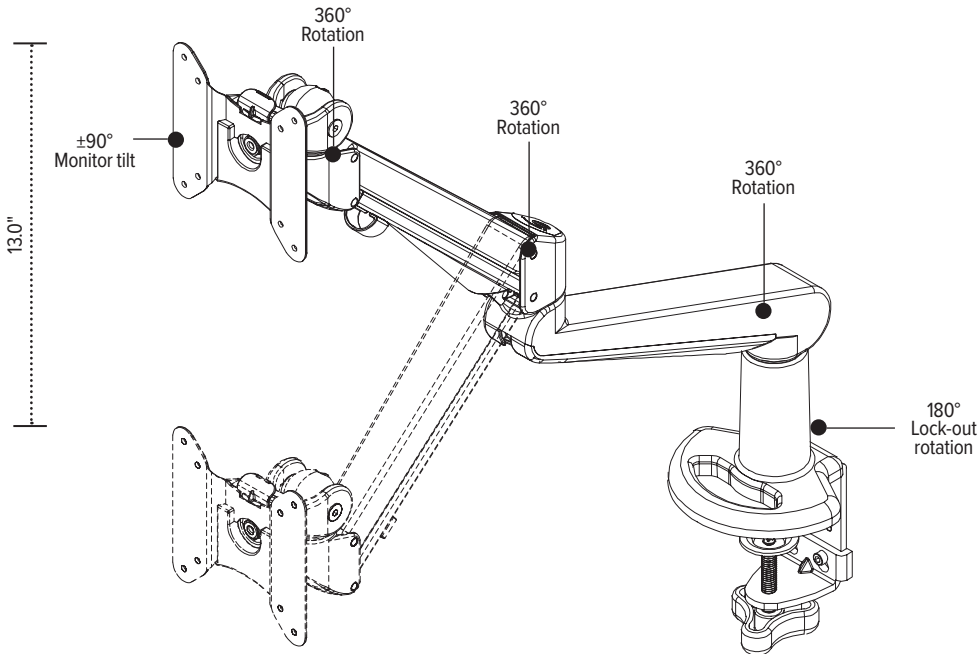
- EDGE-SLV
- EDGE-BLK
- EDGE-WHT

## Conversion

Reuse most of the parts in your single Edge arm when you convert up to the Edge2 with our simple kit. *Conversion kit sold separately*

# Edge

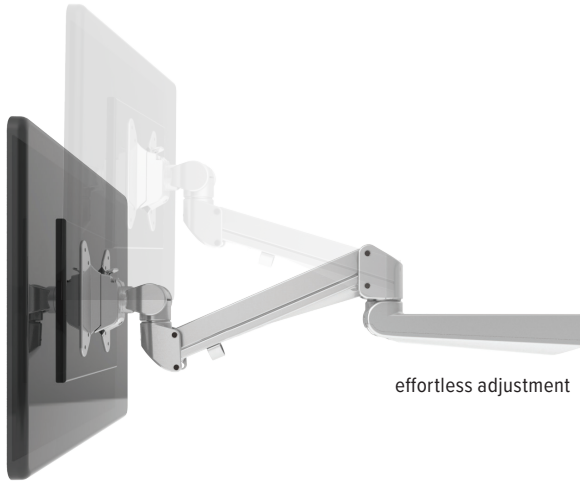
Single monitor arm



# Edge-Max

Heavy duty single monitor arm

esi®



effortless adjustment



cable management



landscape/portrait rotation



grommet mount



desk clamp



integrated allen key storage



VESA quick release

## Product specs

- Finger touch dynamic height adjustment
- Recommended for worksurfaces 36.0" deep or less
- 14.04" height adjustment range
  - 9.20"-23.30" (low/high)
- 25.19" arm extension
- 4.15" arm retraction
- +85°/-35° monitor tilt
- ±90° VESA rotation
- 17.6 lb.–42.0 lb. weight capacity
- VESA 75mm/100mm quick release
- 180° lock-out feature
- 360° rotation at three points
- Meets or exceeds BIFMA x5.5 and CSA CAN/CGSB44.227 guidelines
- Desk clamp and grommet mount included
- Warranty: 15yr.



## Model #

EDGE-MAX-SLV

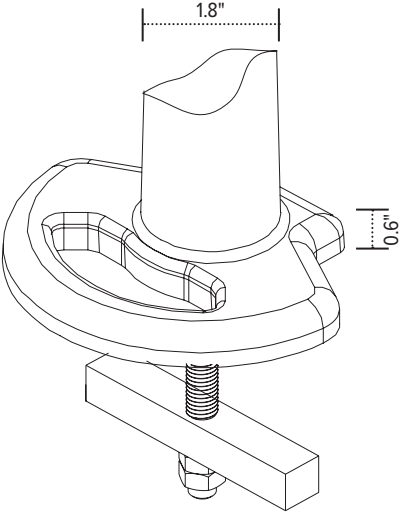
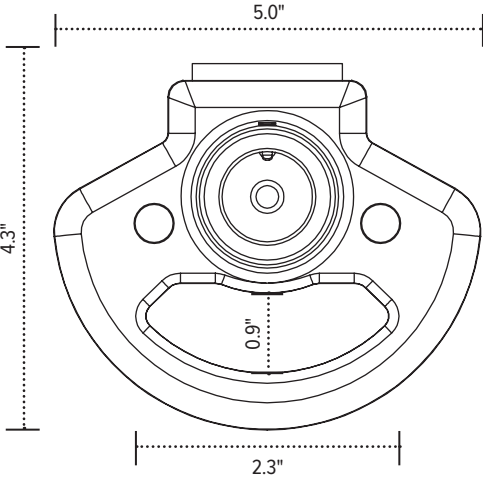
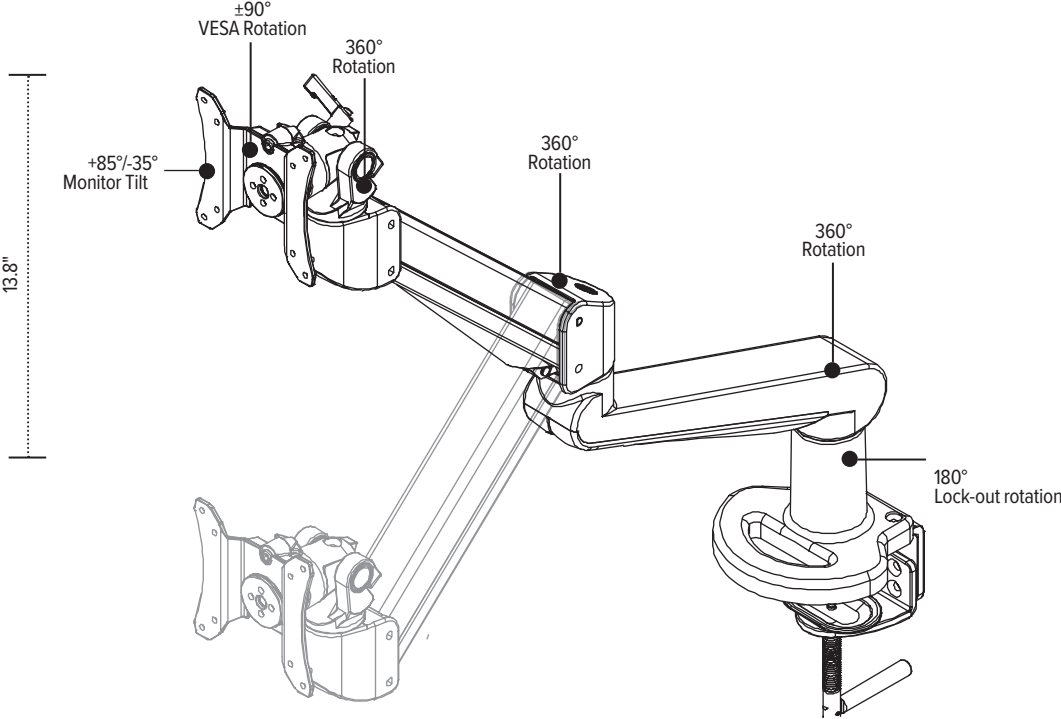
## Conversion

Reuse most of the parts in your single Edge-Max arm when you convert up to the Edge-Max-Dual with our simple kit.

*Conversion kit sold separately*

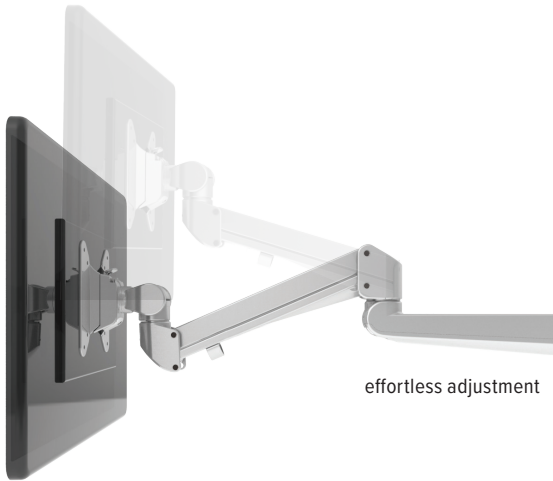
# Edge-Max

Heavy duty single monitor arm



# Edge2

Dual monitor arm



effortless adjustment



cable management



landscape/portrait rotation



grommet mount



desk clamp



integrated allen key storage



VESA quick release

## Product specs

- Finger touch dynamic height adjustment
- Recommended for worksurfaces 36.0" deep or less
- 12.09" height adjustment range
  - 7.68"-19.00" (low/high)
- 21.55" arm extension
- 3.22" arm retraction
- $\pm 90^\circ$  monitor tilt
- $\pm 90^\circ$  VESA rotation
- 6.5 lb.–17.6 lb. weight capacity (*per arm*)
- VESA 75mm/100mm quick release
- 180° lock-out feature
- Desk clamp and grommet mount included
- 41.08" max. monitor width  
*Bezel measured left to right.*  
*Max. width is contingent on weight capacity.*
- Meets or exceeds BIFMA x5.5 and CSA CAN/CGSB44.227 guidelines
- Benching system mount(s) available.  
Call the Customer Service Dept for details
- Warranty: 15 yr.

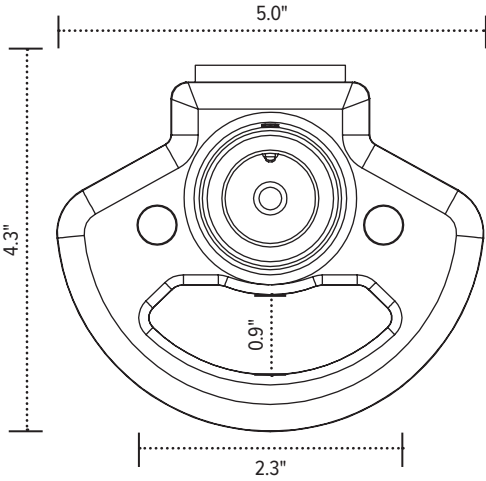
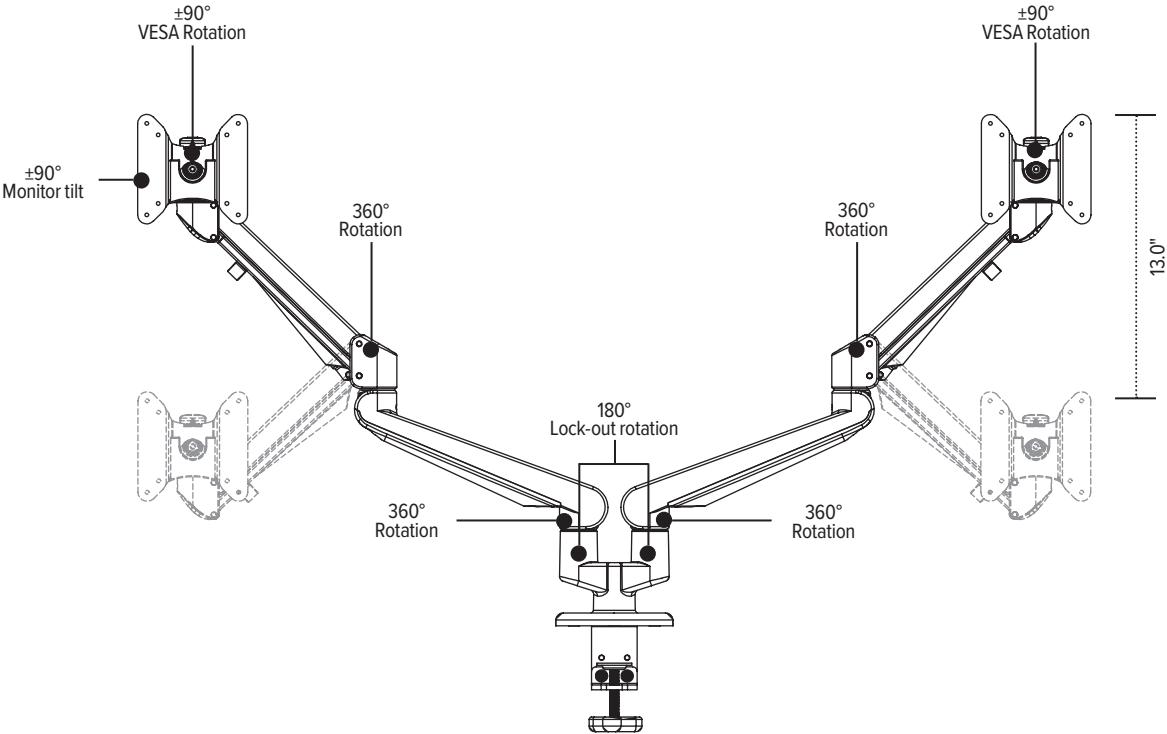


## Model #

- EDGE2-SLV
- EDGE2-BLK
- EDGE2-WHT

# Edge2

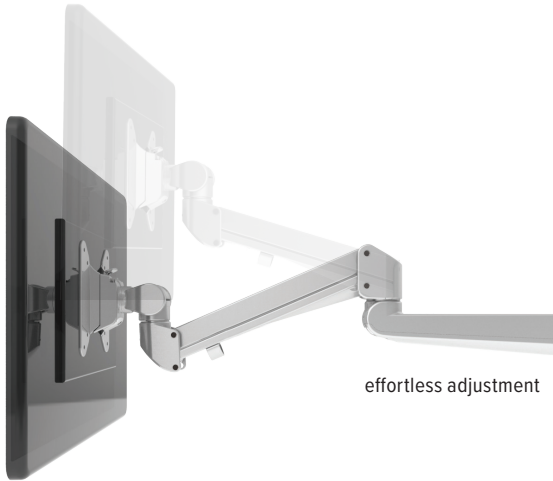
Dual monitor arm



# Edge2-MS



## Dual monitor arm



effortless adjustment



cable management



landscape/portrait rotation



grommet mount



desk clamp



integrated allen key storage



VESA quick release

### Product specs

- Finger touch dynamic height adjustment
- Recommended for worksurfaces 30.0" deep or less
- 10.58" height adjustment range
  - 3.76"-14.34" (low/high)
- 15.41" arm extension
- 5.74" arm retraction
- +80°/-60° monitor tilt
- ±90° VESA rotation
- 4.4 lb.-15.4 lb. weight capacity (*per arm*)
- VESA 75mm/100mm quick release
- 180° lock-out feature
- Desk clamp and grommet mount included
- Sliders provide 8.5" of additional horizontal adjustability
- Patented slide design for exclusive ESI use
- Meets or exceeds BIFMA x5.5 and CSA CAN/CGSB44.227 guidelines
- Benching system mount(s) available. Call Customer Service for details
- 28.00" max. monitor width  
*Bezel measured left to right.*  
*Max. width is contingent on weight capacity.*
- Warranty: 15 yr.

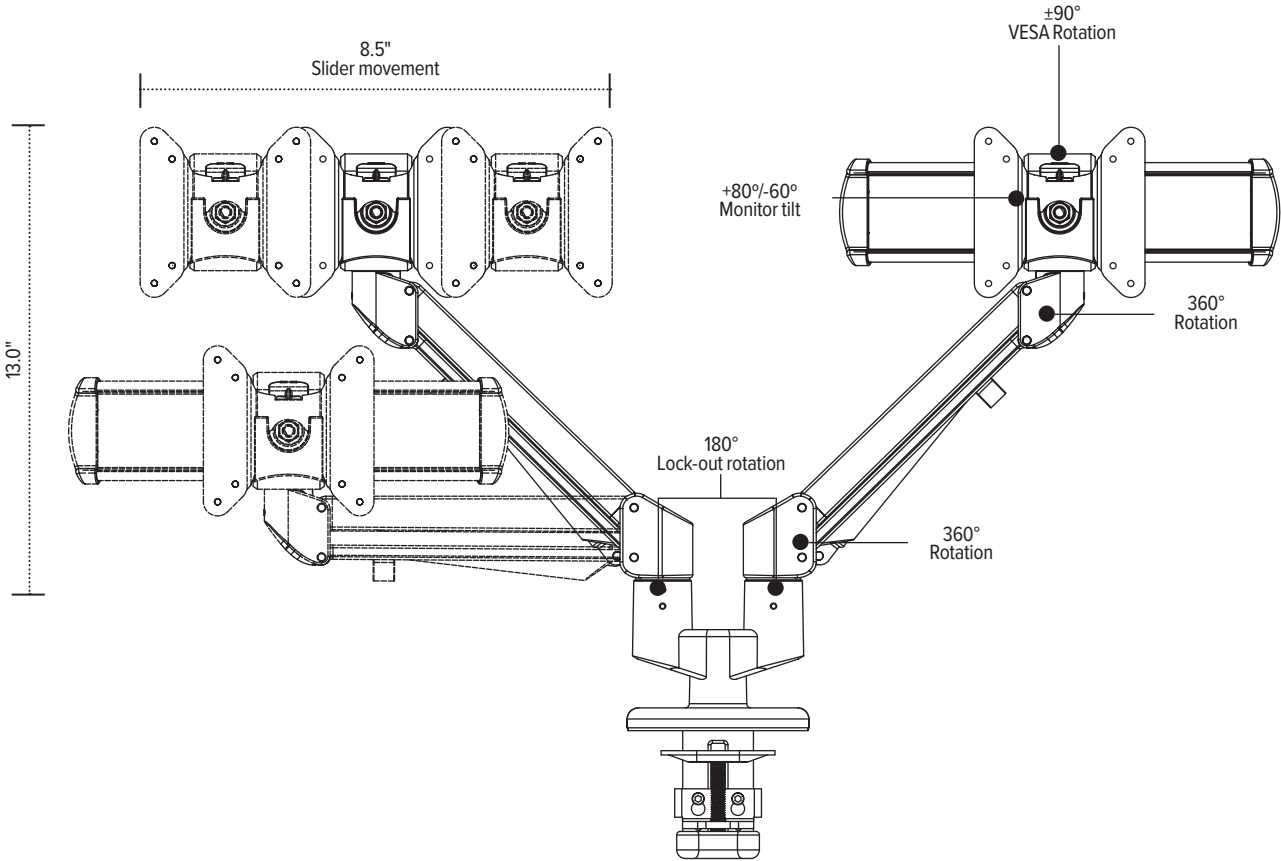


### Model #

- EDGE2-MS-SLV
- EDGE2-MS-BLK
- EDGE2-MS-WHT

# Edge2-MS

Dual monitor arm





# Edge2-Max



Heavy duty dual monitor arm

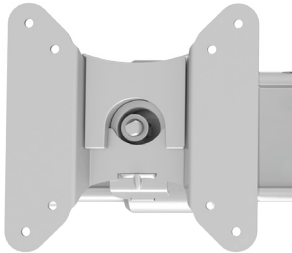
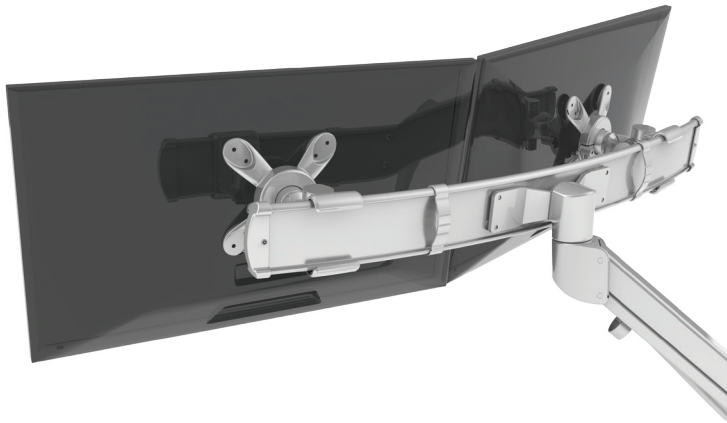
## Product specs

- Finger touch dynamic height adjustment
- Weight capacity counterbalanced for heavy monitors and all-in-one computers
- Recommended for worksurfaces 36.0" deep or less
- 14.14" height adjustment range
  - 9.52"-22.80" (low/high)
- 28.51" arm extension
- 7.50" arm retraction
- $\pm 55^\circ$  monitor tilt
- $\pm 90^\circ$  VESA rotation
- 12.0lb.–38.5lb. weight capacity  
*(combined weight of both monitors)*
- 30.3" total width of crossbar
- 180° lock-out feature
- 360° rotation at two points
- Meets or exceeds BIFMA x5.5 and CSA CAN/CGSB44.227 guidelines
- Desk clamp and grommet mount included
- 25.18" max. monitor width  
*Bezel measured left to right.  
Max. width is contingent on weight capacity.*
- Warranty: 15 yr.

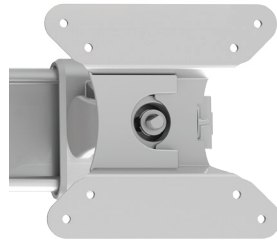


## Model #

- EDGE2-MAX-SLV



landscape rotation



portrait rotation



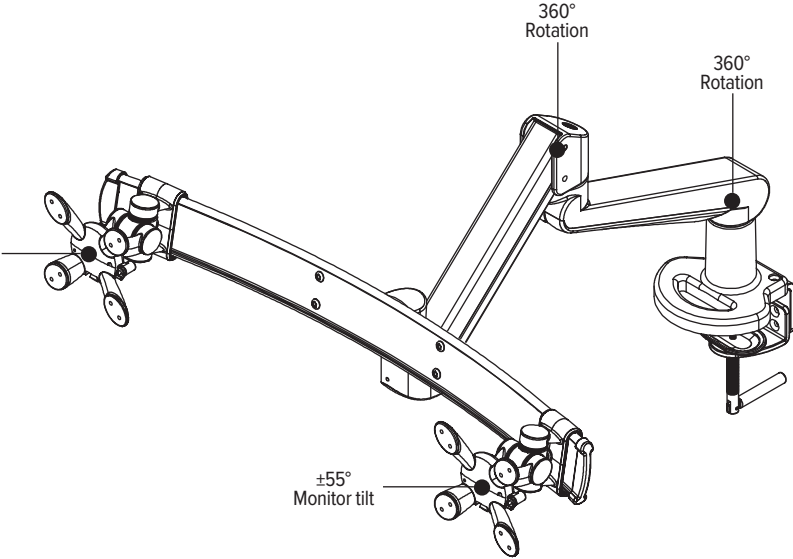
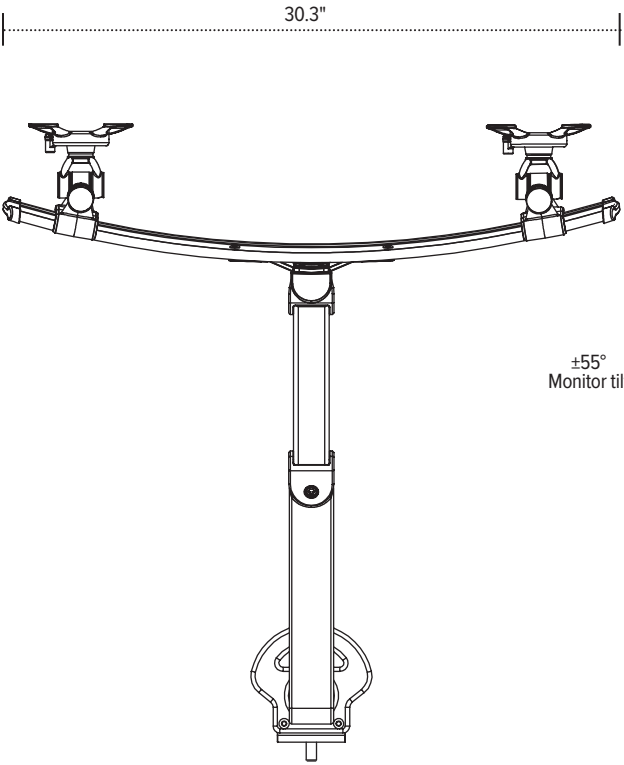
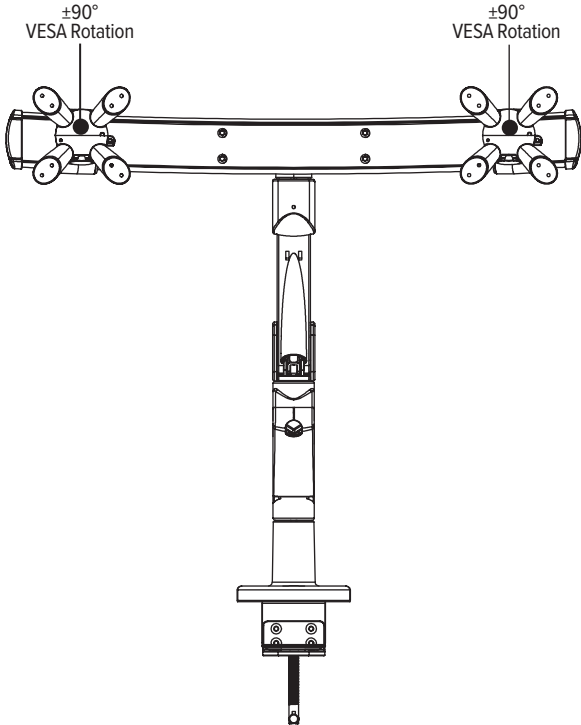
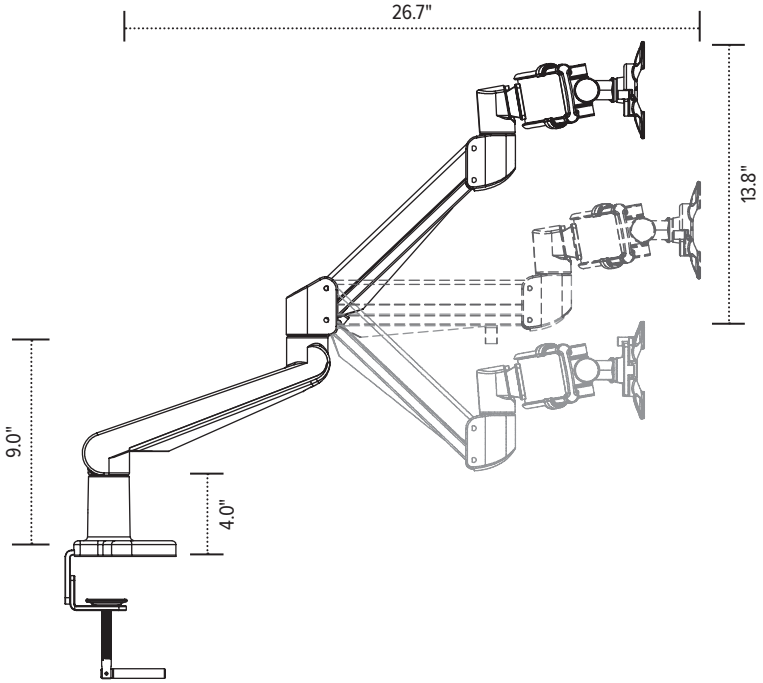
grommet mount



desk clamp

# Edge2-Max

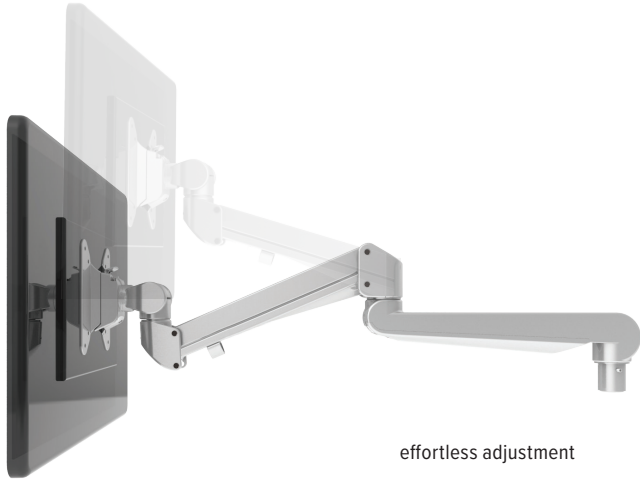
Heavy duty dual monitor arm



# Edge-Max-Dual



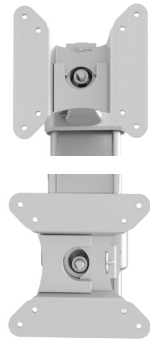
Dual monitor arm



effortless adjustment



cable management



landscape/portrait rotation



grommet mount



desk clamp

## Product specs

- Finger touch dynamic height adjustment
- Recommended for worksurfaces 36.0" deep or less
- 14.16" height adjustment range
  - 9.89"-24.05" (low/high)
- 25.18" arm extension
- 4.14" arm retraction
- +85°/-35° monitor tilt
- ±90° VESA rotation
- 17.6 lb.–42.0 lb. weight capacity (*per arm*)
- VESA 75mm/100mm quick release
- 180° lock-out feature
- 360° rotation at three points
- Meets or exceeds BIFMA x5.5 and CSA CAN/CGSB44.227 guidelines
- Desk clamp and grommet mount included
- 51.18" max. monitor width  
*Bezel measured left to right.*  
*Max. width is contingent on weight capacity.*
- Warranty: 15 yr.



## Model #

EDGE-MAX-DUAL-SLV



VESA quick release

# Edge-Max-Dual



Dual monitor arm

