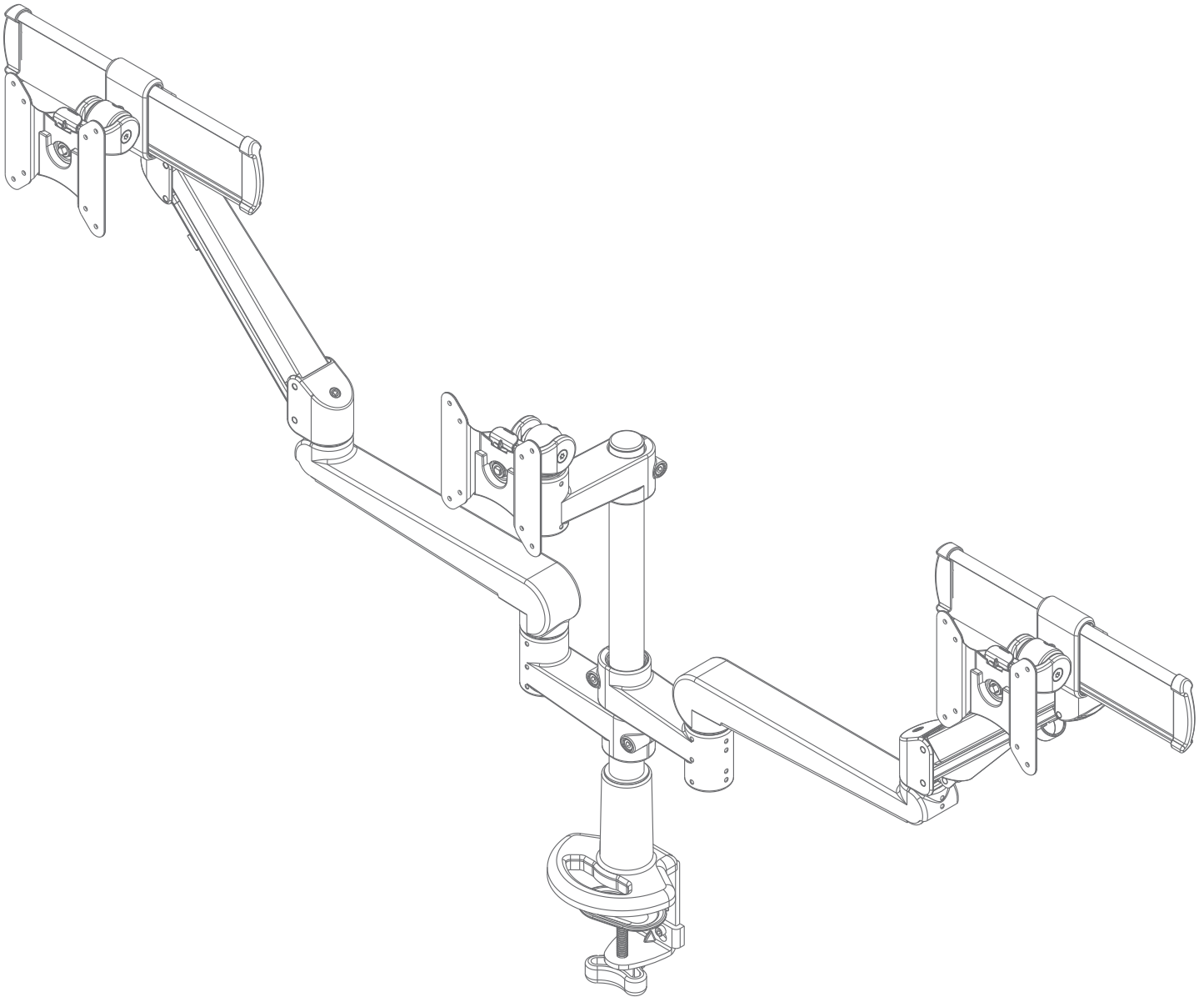


EVOLVE SERIES: Disassembly Instructions

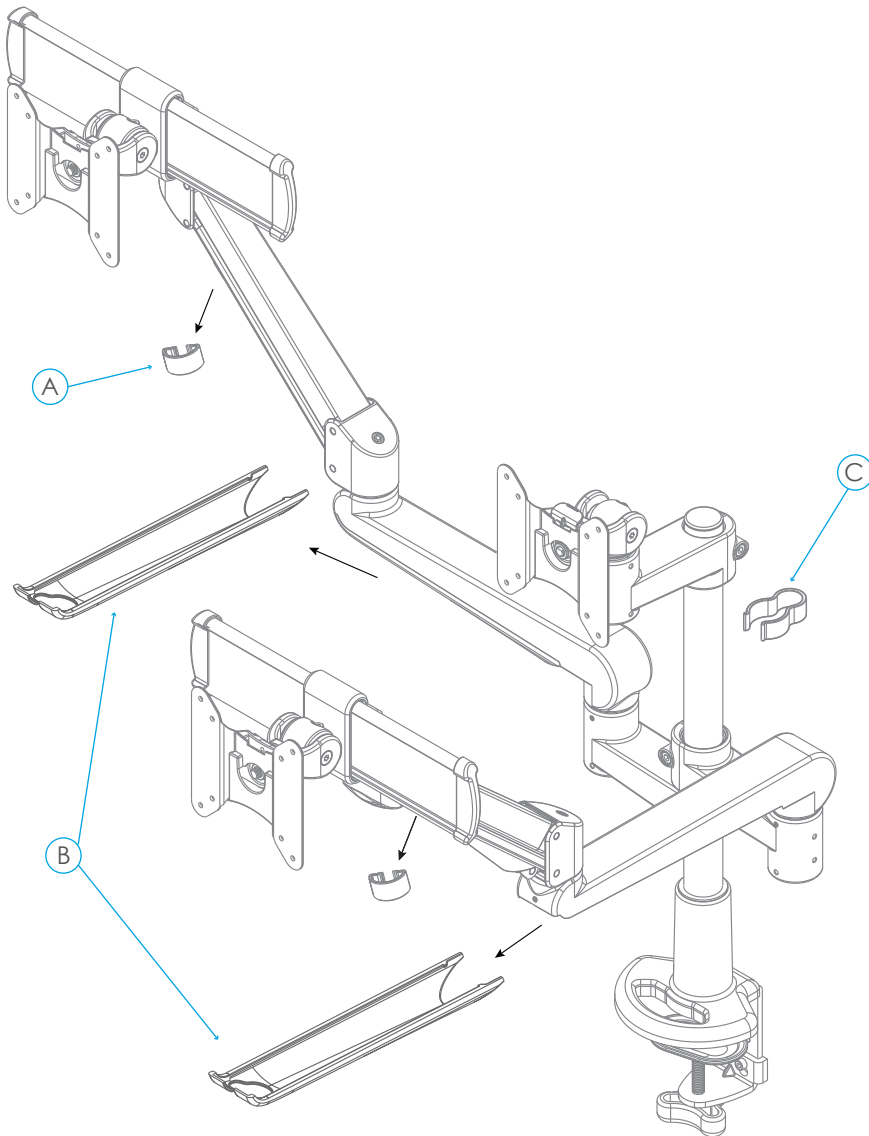
EVOLVE SERIES Assembled

APPLIES TO: Entire EVOLVE Series & the EDV-SLD



EVOLVE SERIES: Disassembly

EVOLVE SERIES Components for breakdown



Material Identification

- A: Wire Management Clip
- Plastic
- B: Wire Management Channel
- Plastic
- C: Wire Management Pole Clip
- Plastic

Recommended Tools



Gloves



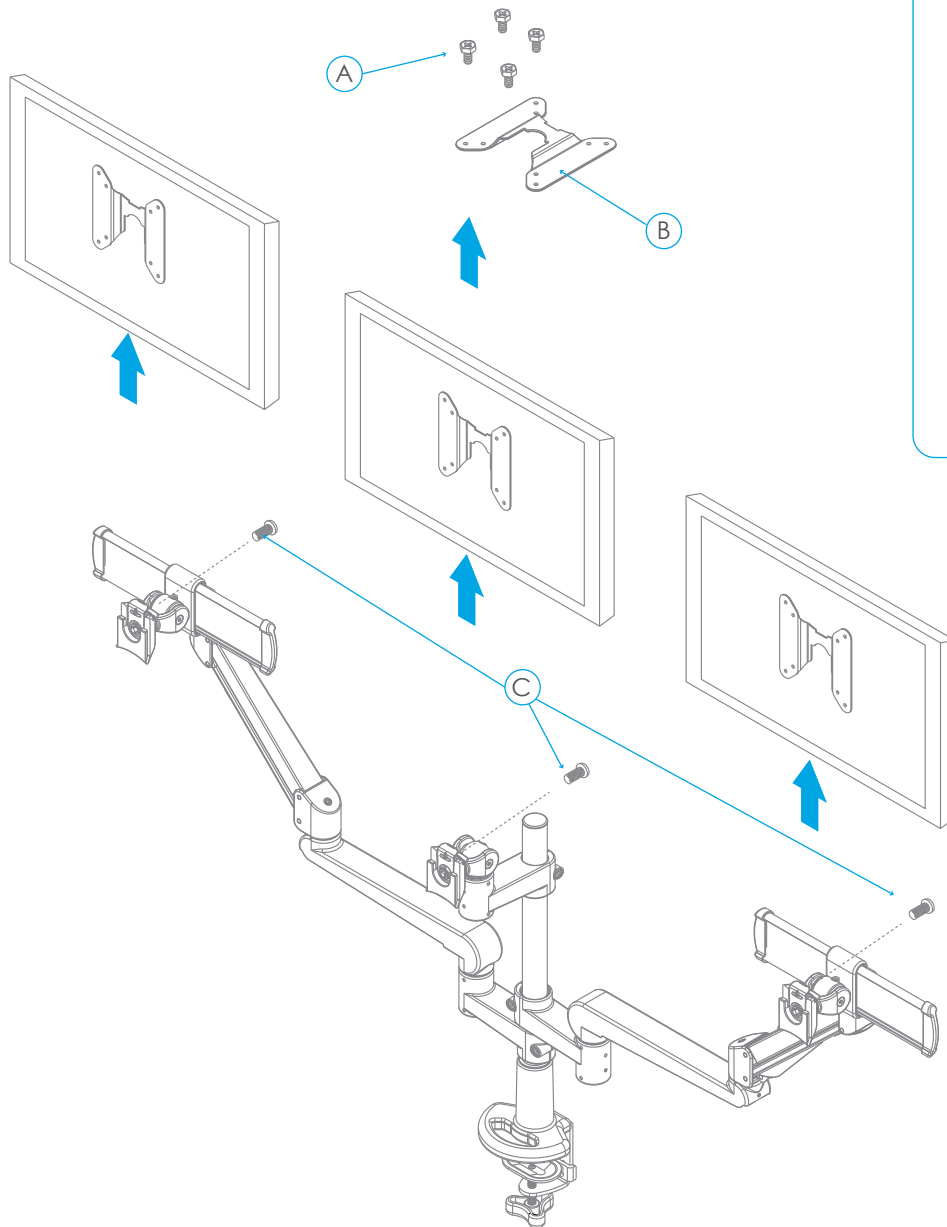
Goggles



Phillips Screwdriver

EVOLVE SERIES: Disassembly

EVOLVE SERIES Components for breakdown



Material Identification

A: Screws

- Steel 

B: Vesa Plate

- Steel 

C: Screws

- Steel 

Recommended Tools



Gloves



Goggles





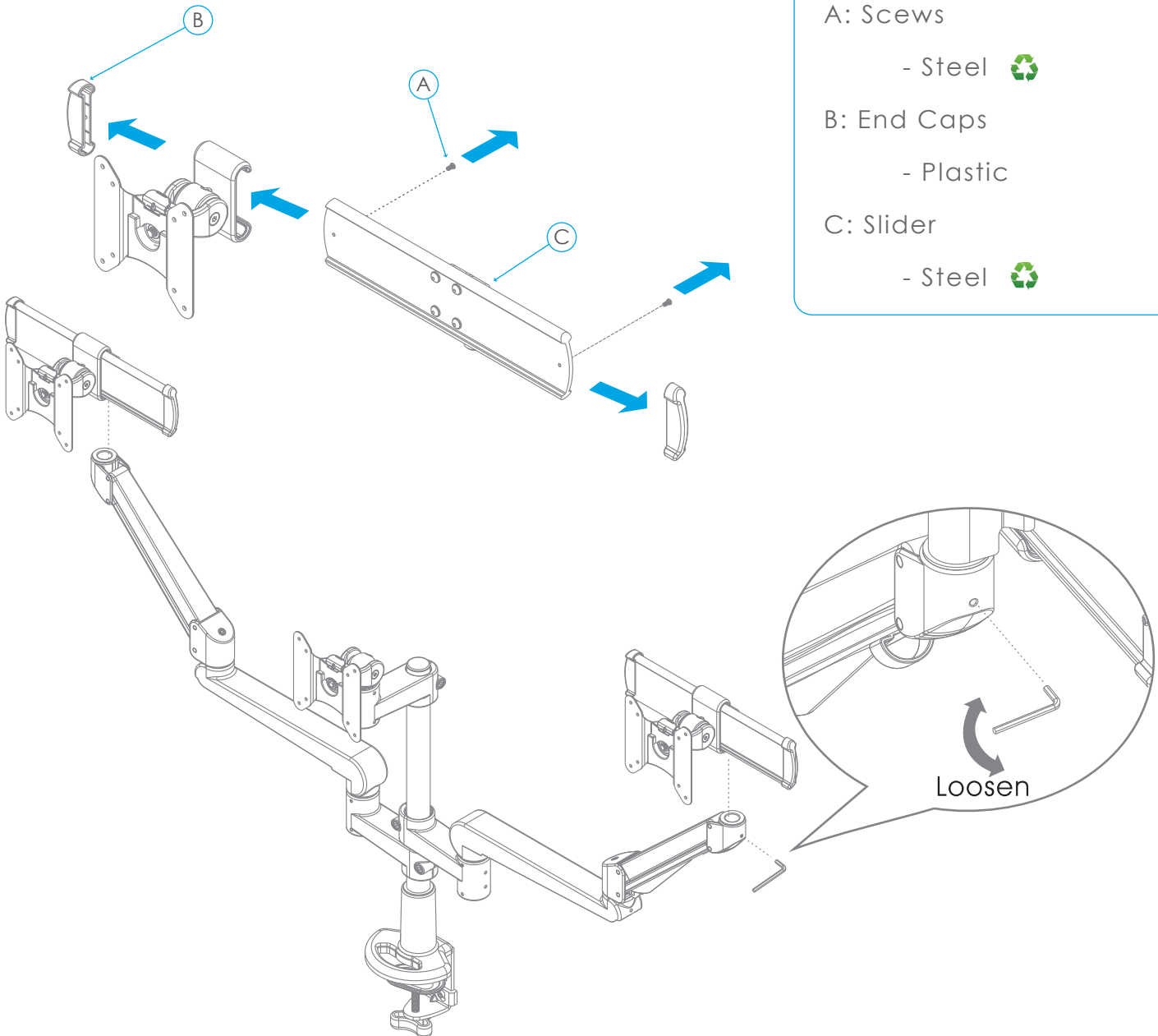
Phillips Screwdriver

EVOLVE SERIES: Disassembly

EVOLVE SERIES Components for breakdown

Material Identification

- A: Screws
 - Steel 
- B: End Caps
 - Plastic
- C: Slider
 - Steel 



Recommended Tools



Gloves



Goggles



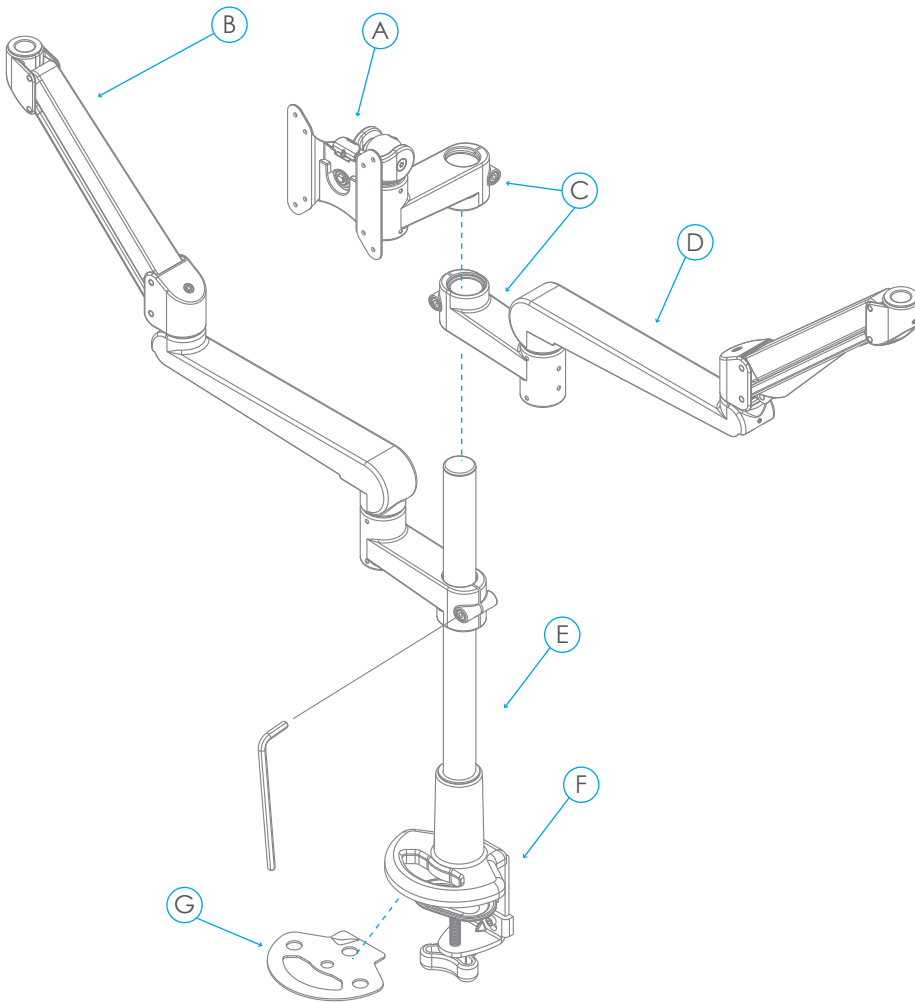
Phillips Screwdriver



2mm Allen Wrench

EVOLVE SERIES: Disassembly

EVOLVE SERIES Components for breakdown



Material Identification

A: Vesa Mount

- Steel

B: Motion Arm

- Steel

C: Arm Stem

- Steel

D: Fixed Arm

- Steel

E: Pole

- Steel

F: Grommet

- Steel

G: Adhesive Pad

- Rubber

Recommended Tools



Gloves



Goggles



5mm Allen Wrench