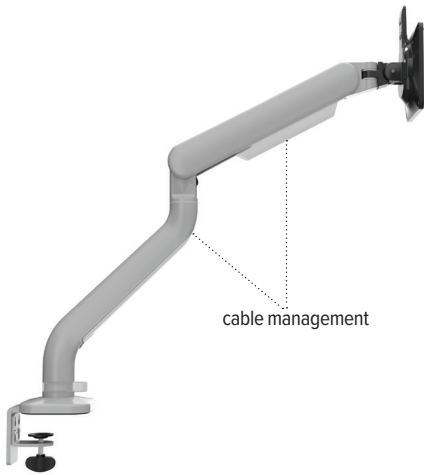


Kata

Single monitor arm



tension adjustment



integrated tool storage



grommet mount



clamp mount

Product specs

- Finger touch dynamic height adjustment
- Recommended for worksurfaces 36.0" deep or less
- 13.72" height adjustment range
 - 7.79"-21.51" (low/high)
- 22.40" arm extension
- 3.46" arm retraction
- +90°/-25° monitor tilt
- ±90° VESA rotation
- 4.0 lb.–20.0 lb. weight capacity
- VESA 75mm/100mm quick release
- 180° lock-out feature
- Specify a grommet mount or a desk clamp mount
- Tension adjustment indicator for precision installation
- Capable of portrait and landscape orientation
- Partially assembled for quick installation
- Integrated cord management
- Integrated tool holder within the VESA plate keeping hex keys accessible
- Warranty: 15 yr.
- Designed for ESI by Roger Webb Associates of London

Model

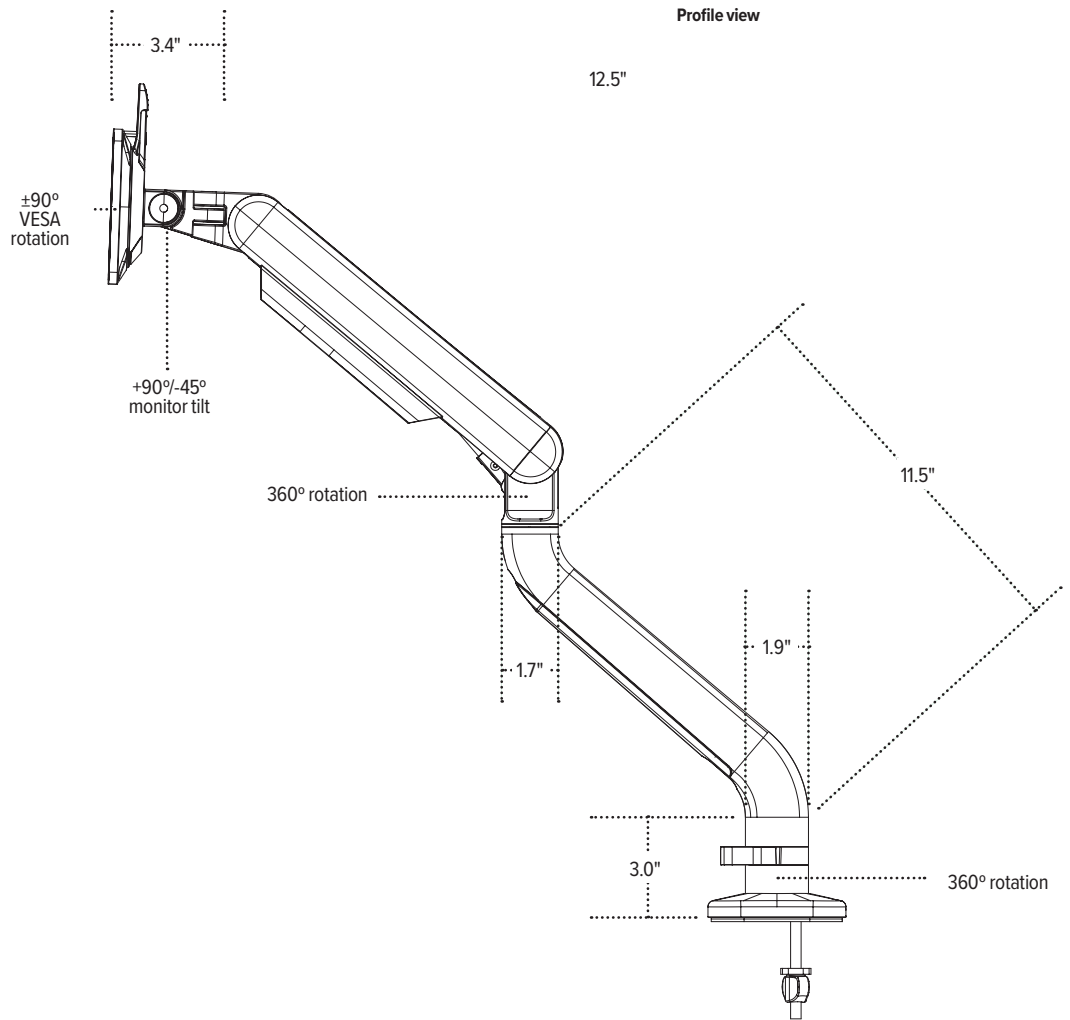
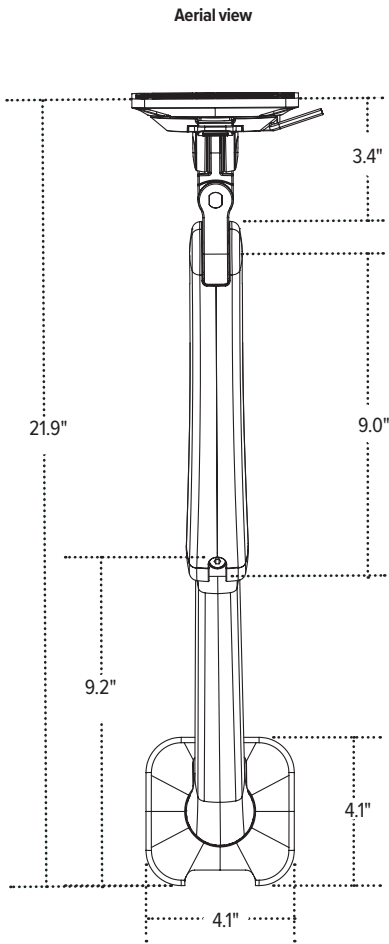
- KATA-DC-SLV
- KATA-DC-BLK
- KATA-DC-WHT
- KATA-GM-SLV
- KATA-GM-BLK
- KATA-GM-WHT

Available mounting options

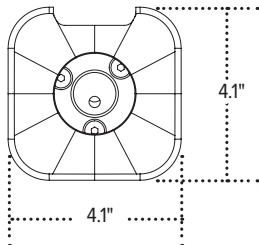
- DC - Desk clamp
- GM - Grommet mount

Kata

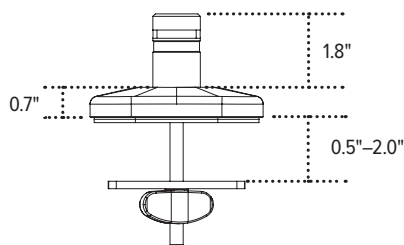
Single monitor arm



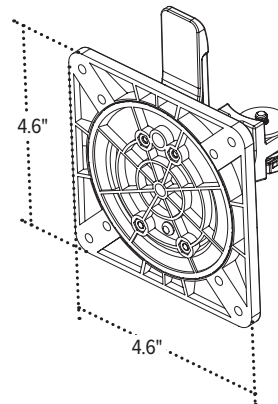
Base (bottom view)



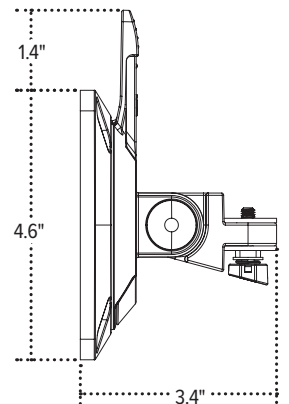
Base (straight on view)



VESA Plate

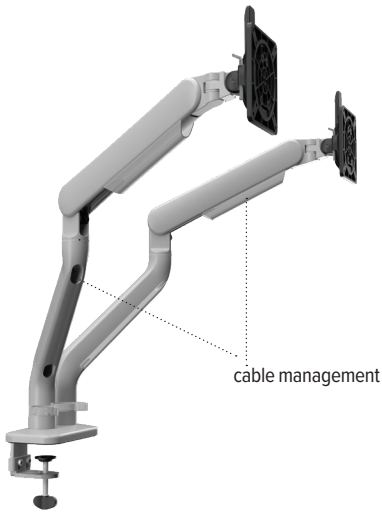


VESA (profile view)



Kata2

Dual monitor arm



tension adjustment



integrated tool storage



grommet mount



clamp mount

Product specs

- Finger touch dynamic height adjustment
- Recommended for worksurfaces 36.0" deep or less
- 13.72" height adjustment range
 - 7.79"-21.47" (low/high)
- 22.41" arm extension
- 3.44" arm retraction
- +90°/-25° monitor tilt
- ±90° VESA rotation
- 4.0 lb.–20.0 lb. weight capacity (*per arm*)
- VESA 75mm/100mm quick release
- 180° lock-out feature
- Specify a grommet mount or a desk clamp mount
- 42.04" max. monitor width
 - Bezel measured left to right.*
 - Max. width is contingent on weight capacity.*
- Tension adjustment indicator for precision installation
- Capable of portrait and landscape orientation
- Partially assembled for quick installation
- Integrated cord management
- Integrated tool holder within the VESA plate keeping hex keys accessible
- Warranty: 15 yr.
- Designed for ESI by Roger Webb Associates of London

Model

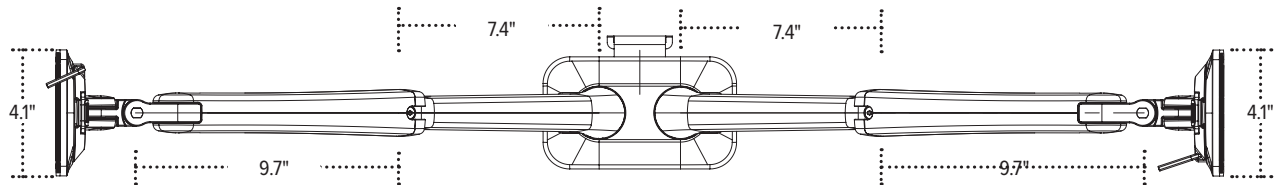
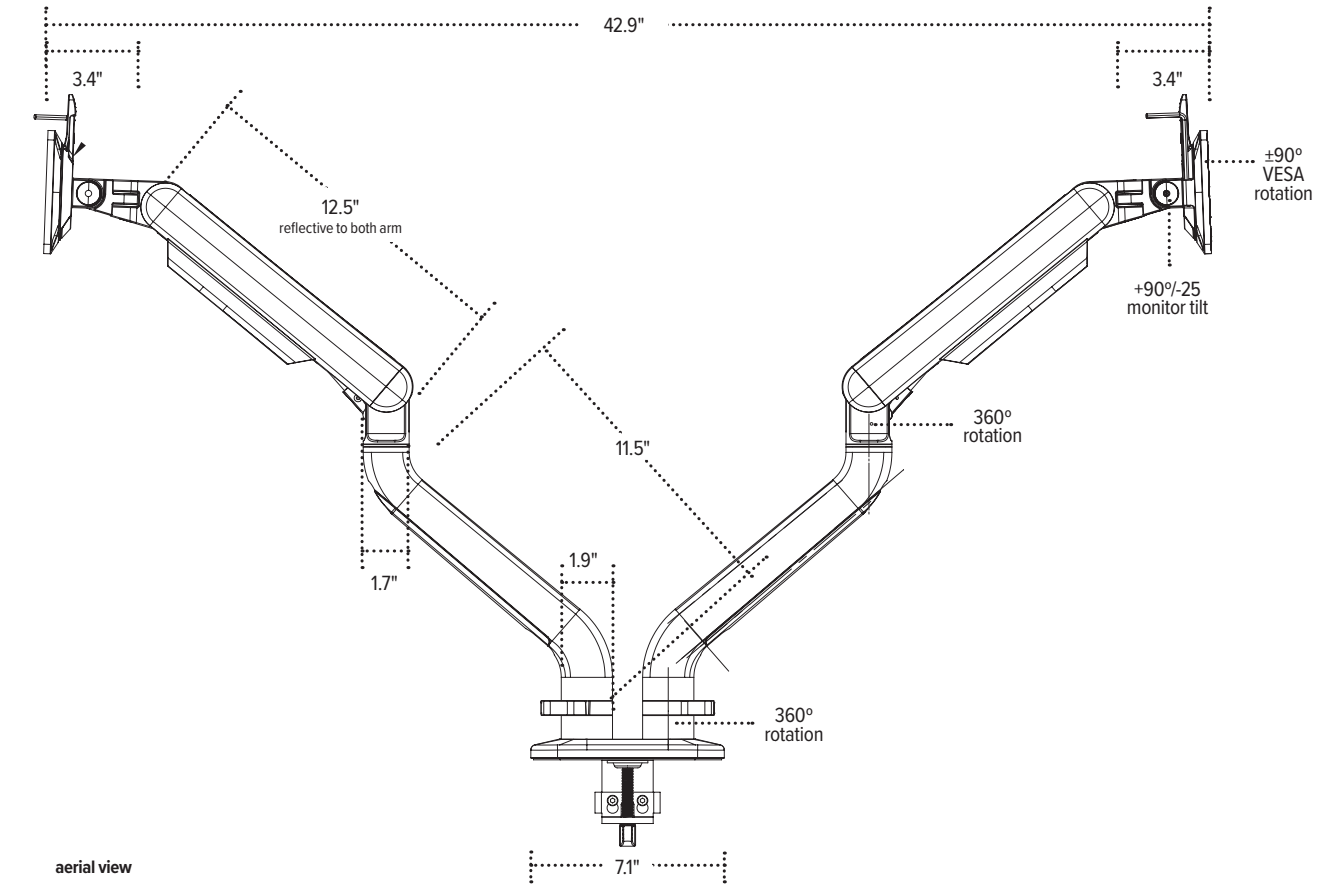
- KATA2-DC- SLV
- KATA2-DC- BLK
- KATA2-DC- WHT
- KATA2-GM- SLV
- KATA2-GM- BLK
- KATA2-GM- WHT

Available mounting options

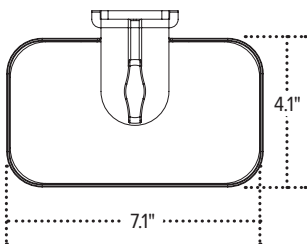
- DC - Desk clamp
- GM - Grommet mount

Kata2

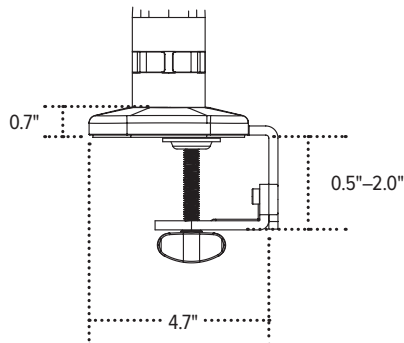
Dual monitor arm



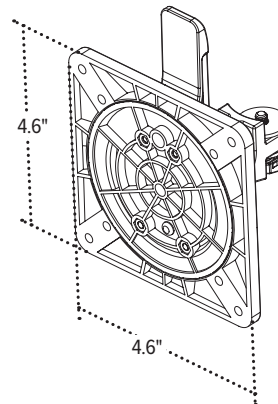
Base
(bottom view)



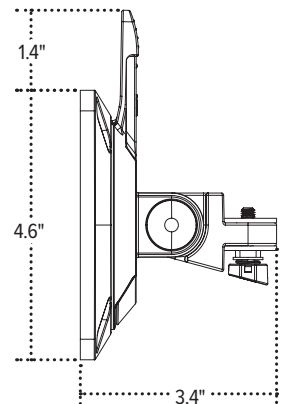
Base Clamp
(profile view)



VESA Plate



VESA
(profile view)



Kata2-MS

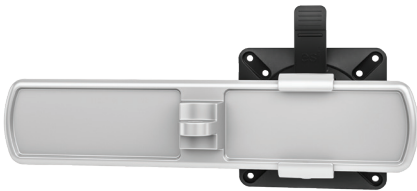
Dual monitor arm



tension adjustment



integrated tool storage



slider mount



grommet mount



desk clamp

Product specs

- Finger touch dynamic height adjustment
- Recommended for worksurfaces 30.0" deep or less
- 4.0" height adjustment range
 - 3.0"–17.0" (low/high)
- 18.7" arm extension
- 6.5" arm retraction
- +90°/-25° monitor tilt
- ±90° VESA rotation
- 6.0" base height
- 2.5 lb.–18.5 lb. weight capacity (*per arm*)
- VESA 75mm/100mm quick release
- 180° lock-out feature
- Specify a grommet mount or a desk clamp mount
- Sliders provide 9.5" of additional horizontal adjustability
- Tension adjustment indicator for precision installation
- Partially assembled for quick installation
- Integrated cord management
- Integrated tool holder
- 32.0" max. monitor width
Bezel measured left to right.
Max. width is contingent on weight capacity.
- Warranty: 15 yr.
- Designed for ESI by Roger Webb Associates of London

Model

- KATA2-MS-DC-SLV
- KATA2-MS-DC-BLK
- KATA2-MS-DC-WHT
- KATA2-MS-GM-SLV
- KATA2-MS-GM-BLK
- KATA2-MS-GM-WHT

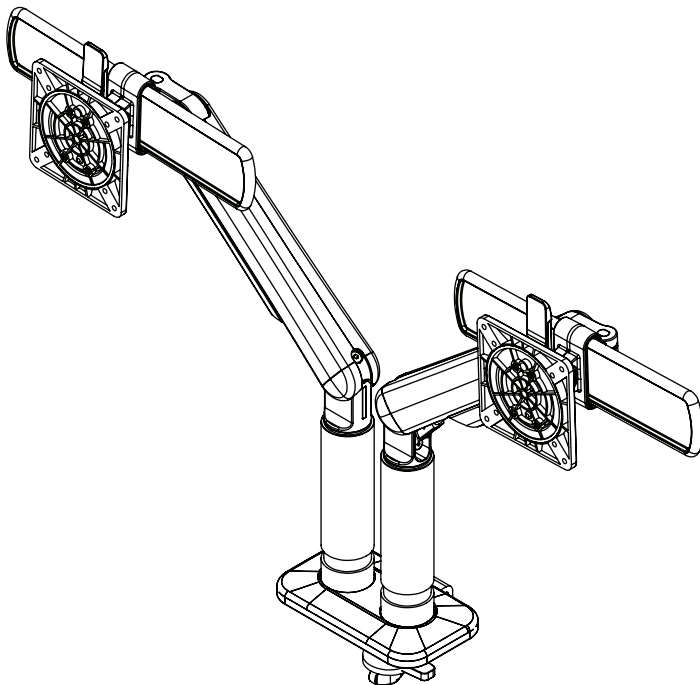
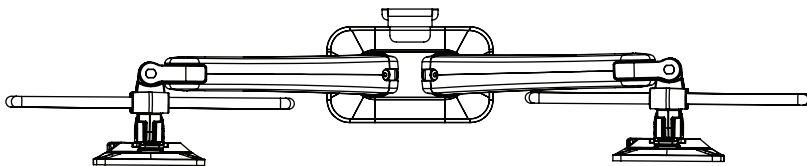
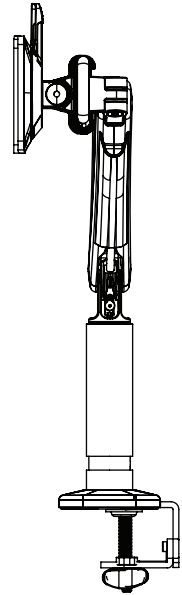
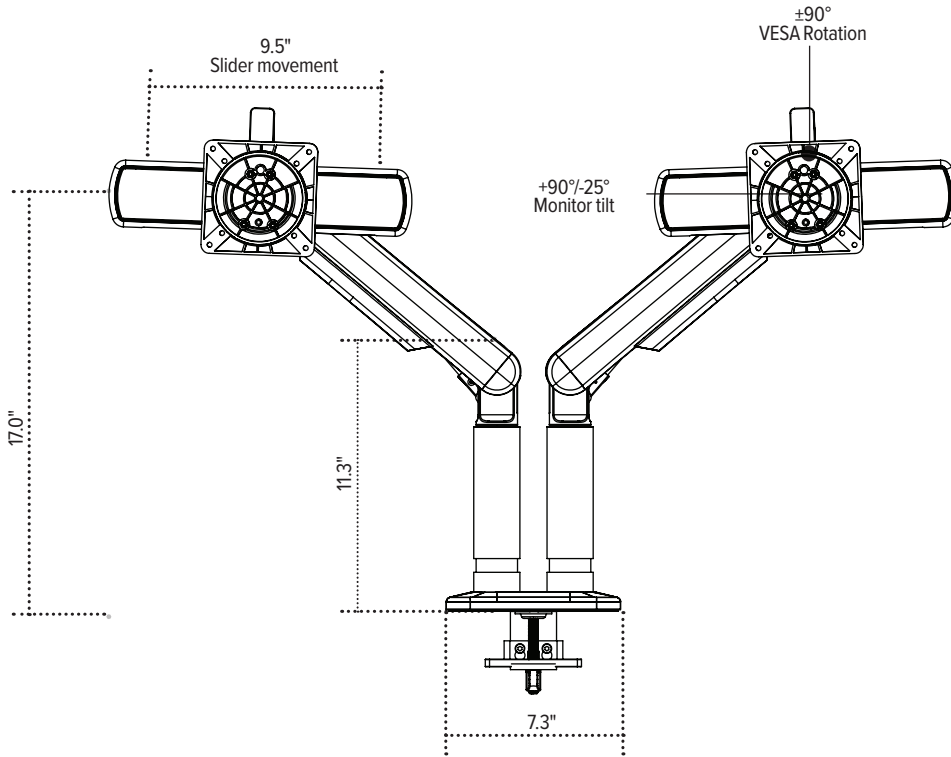
Available mounting options

DC - Desk clamp

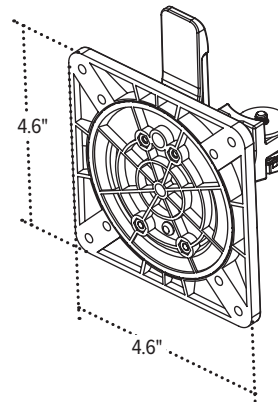
GM - Grommet mount

Kata2-MS

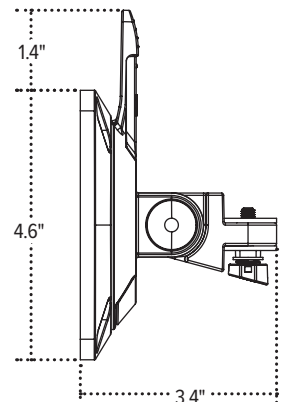
Dual monitor arm



VESA Plate



VESA (profile view)



KataEX1-F

Single monitor arm



tension adjustment



integrated tool storage



grommet mount



desk clamp



connection sleeve

Product specs

- Manual height adjustment
- Recommended for worksurfaces 30.0" deep or less
- 18.78" arm extension
- 4.27" arm retraction
- +90°/-45° monitor tilt
- ±90° VESA rotation
- Up to 20.0 lb. weight capacity
- 15.99" pole height (includes base)
- VESA 75mm/100mm quick release
- 180° lock-out feature
- Specify a grommet mount or a desk clamp mount
- Tension adjustment indicator for precision installation
- Each connection sleeve can accommodate up to three monitors depending on the configuration
- Partially assembled for quick installation
- Integrated cord management
- Integrated tool holder
- Meets or exceeds ANSI/BIFMA x5.5 guidelines
- Designed for ESI by Roger Webb Associates of London
- Warranty: 15 yr.

Model

- KATAEX1-DC-F-SLV
- KATAEX1-DC-F-BLK
- KATAEX1-DC-F-WHT
- KATAEX1-GM-F-SLV
- KATAEX1-GM-F-BLK
- KATAEX1-GM-F-WHT

KataEX monitor arm key

- F - Fixed monitor arm
- M - Motion monitor arm
- S - Slider mount

Available mounting options

- DC - Desk clamp
- GM - Grommet mount

KataEX for every need

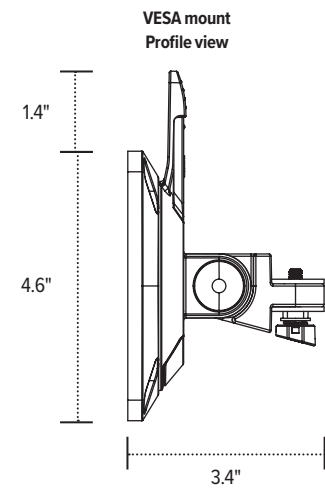
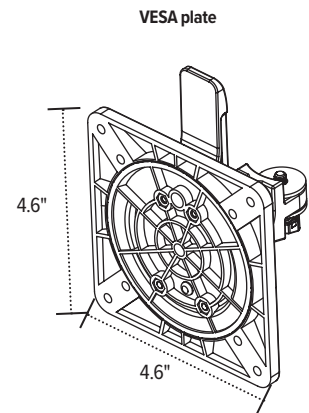
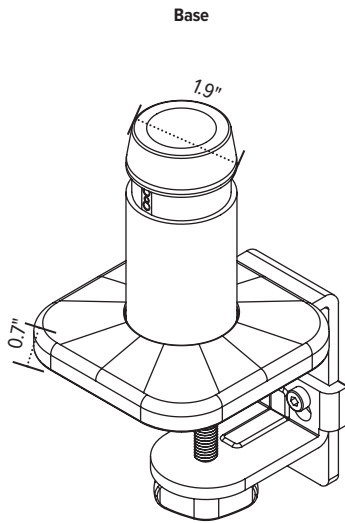
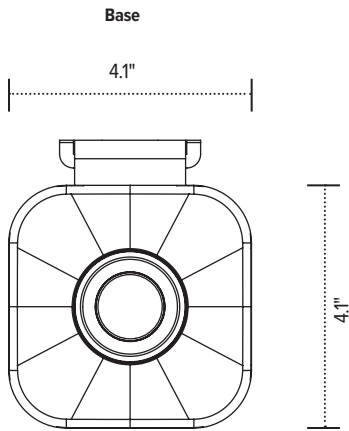
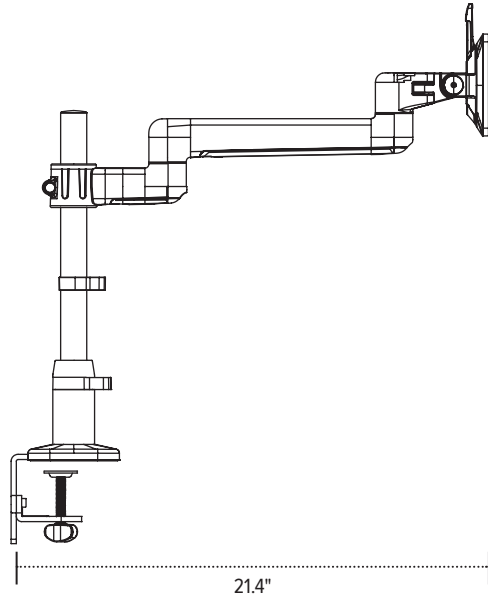
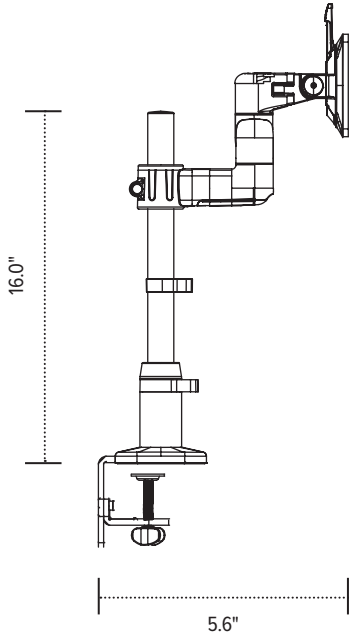
- As workstation needs change, so can the KataEX configurations. Additional components sold separately
- Benching system mount(s) available

Call our Customer Service Department for compatibility and pricing for custom configurations.

KataEX1-F

Single monitor arm

esi®



KataEX1-FF

Single fixed + fixed monitor arm



tension adjustment



integrated tool storage



grommet mount



desk clamp



connection sleeve

Product specs

- Manual height adjustment
- Recommended for worksurfaces 36.0" deep or less
- 33.28" arm extension
- 4.27" arm retraction
- +90°/-45° monitor tilt
- ±90° VESA rotation
- Up to 20.0 lb. weight capacity
- 15.99" pole height (includes base)
- VESA 75mm/100mm quick release
- 180° lock-out feature
- Specify a grommet mount or a desk clamp mount
- Tension adjustment indicator for precision installation
- Each connection sleeve can accommodate up to three monitors depending on the configuration
- Partially assembled for quick installation
- Integrated cord management
- Integrated tool holder
- Meets or exceeds ANSI/BIFMA x5.5 guidelines
- Designed for ESI by Roger Webb Associates of London
- Warranty: 15 yr.

Model

- KATAEX1-DC-FF-SLV
- KATAEX1-DC-FF-BLK
- KATAEX1-DC-FF-WHT
- KATAEX1-GM-FF-SLV
- KATAEX1-GM-FF-BLK
- KATAEX1-GM-FF-WHT

KataEX monitor arm key

- F - Fixed monitor arm
- M - Motion monitor arm
- S - Slider mount

Available mounting options

- DC - Desk clamp
- GM - Grommet mount

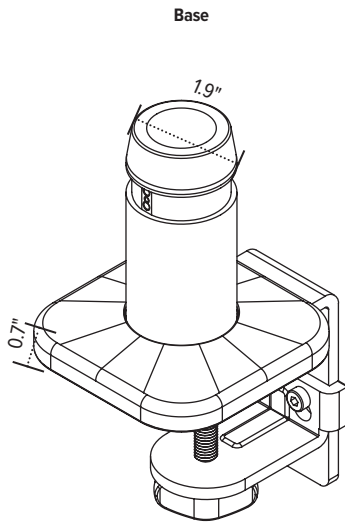
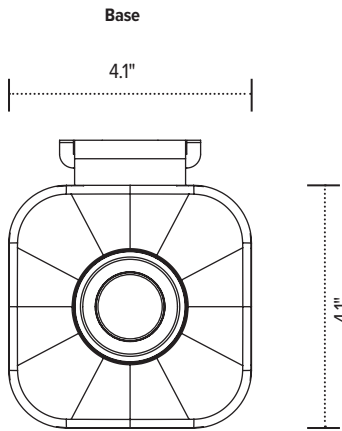
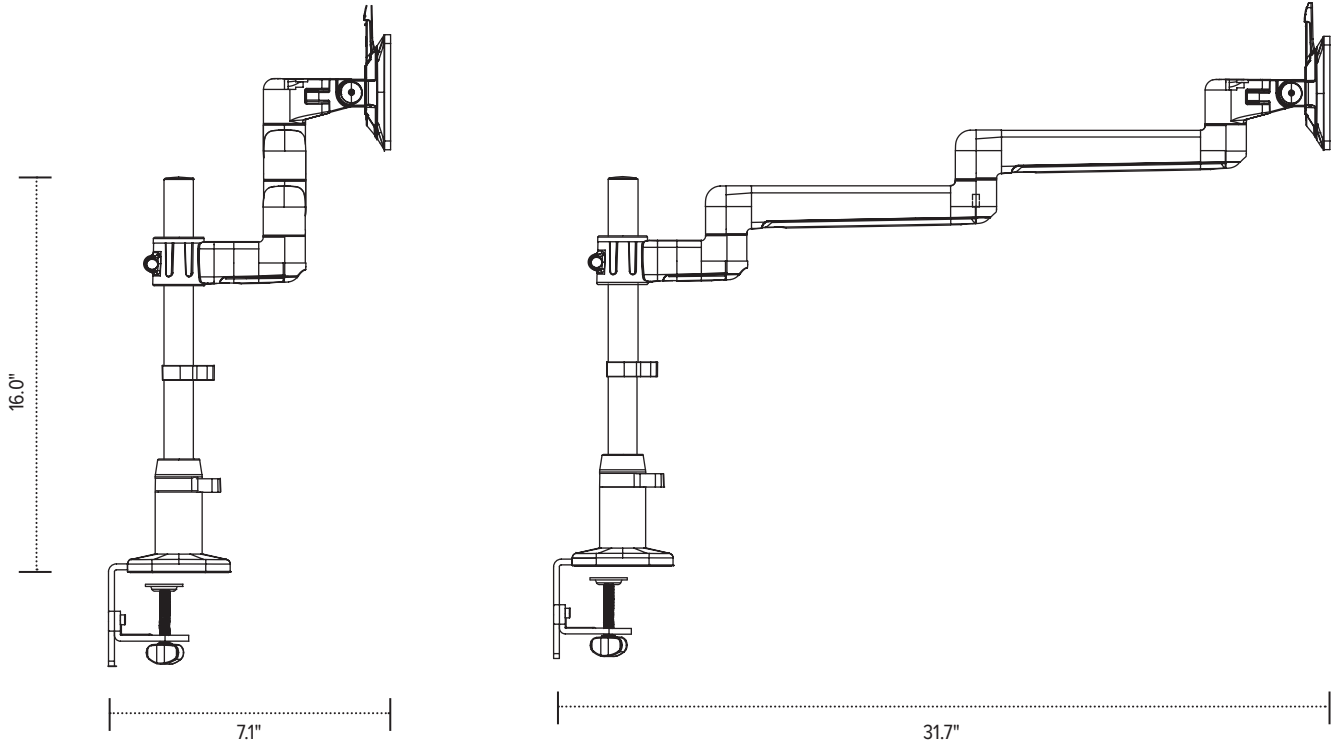
KataEX for every need

- As workstation needs change, so can the KataEX configurations. Additional components sold separately
- Benching system mount(s) available

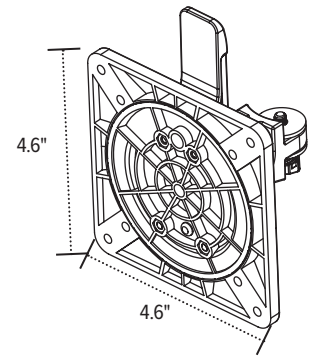
Call our Customer Service Department for compatibility and pricing for custom configurations.

KataEX1-FF

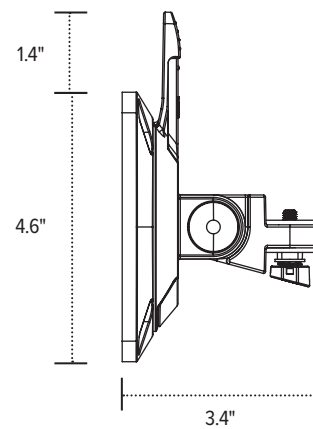
Single fixed + fixed monitor arm



VESA plate



VESA mount
Profile view



KataEX1-FM

Single fixed + motion monitor arm



tension adjustment



integrated tool storage



grommet mount



desk clamp



connection sleeve

Product specs

- Finger touch dynamic height adjustment
- Recommended for worksurfaces 36.0" deep or less
- 29.52" arm extension
- 2.89" arm retraction
- +90°/-45° monitor tilt
- ±90° VESA rotation
- 4.0 lb.–20.0 lb. weight capacity
- 15.99" pole height (*includes base*)
- VESA 75mm/100mm quick release
- 180° lock-out feature
- Specify a grommet mount or a desk clamp mount
- Tension adjustment indicator for precision installation
- Each connection sleeve can accommodate up to three monitors depending on the configuration
- Partially assembled for quick installation
- Integrated cord management
- Integrated tool holder
- Meets or exceeds ANSI/BIFMA x5.5 guidelines
- Designed for ESI by Roger Webb Associates of London
- Warranty: 15 yr.

Model

- KATAEX1-DC-FM-SLV
- KATAEX1-DC-FM-BLK
- KATAEX1-DC-FM-WHT
- KATAEX1-GM-FM-SLV
- KATAEX1-GM-FM-BLK
- KATAEX1-GM-FM-WHT

KataEX monitor arm key Available mounting options

- | | |
|------------------------|--------------------|
| F - Fixed monitor arm | DC - Desk clamp |
| M - Motion monitor arm | GM - Grommet mount |
| S - Slider mount | |

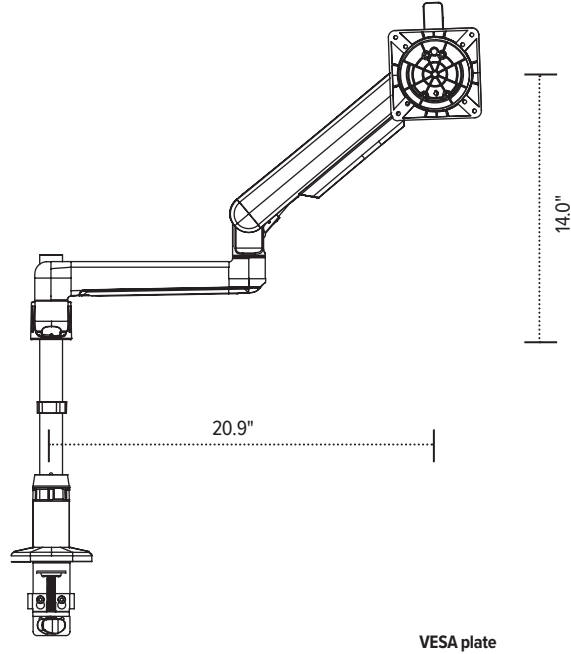
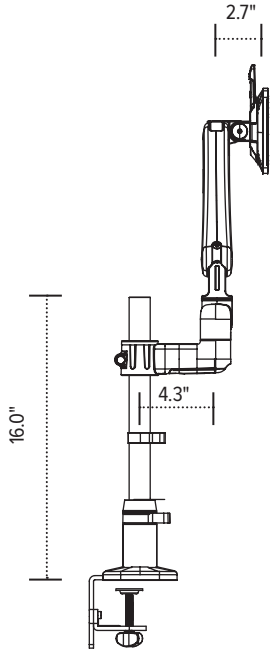
KataEX for every need

- As workstation needs change, so can the KataEX configurations. Additional components sold separately
- Benching system mount(s) available

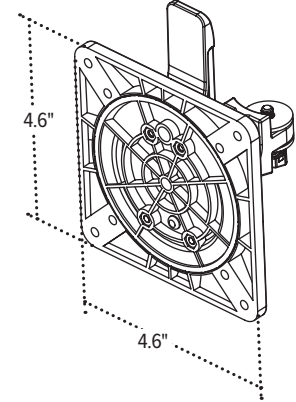
Call our Customer Service Department for compatibility and pricing for custom configurations.

KataEX1-FM

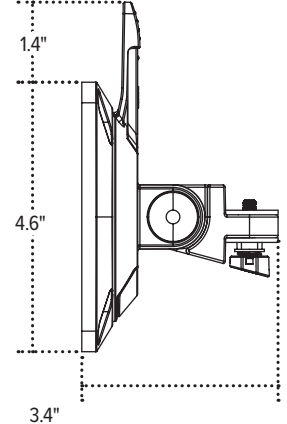
Single fixed + motion monitor arm



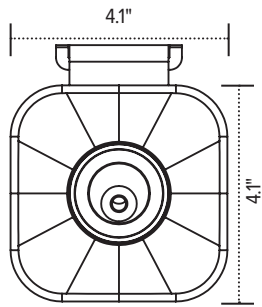
VESA plate



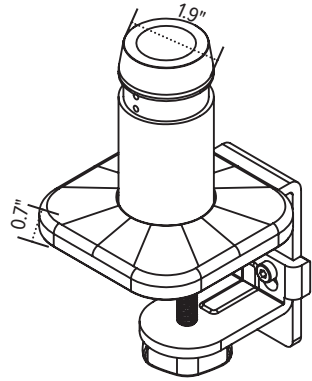
VESA mount
Profile view



Base



Base



KataEX1-M

Single motion monitor arm



tension adjustment



integrated tool storage



grommet mount



desk clamp



connection sleeve

Product specs

- Finger touch dynamic height adjustment
- Recommended for worksurfaces 30.0" deep or less
- 19.26" arm extension
- 2.89" arm retraction
- +90°/-45° monitor tilt
- ±90° VESA rotation
- 4.0 lb.–20.0lb. weight capacity
- 15.99" pole height (*includes base*)
- VESA 75mm/100mm quick release
- 180° lock-out feature
- Specify a grommet mount or a desk clamp mount
- Tension adjustment indicator for precision installation
- Each connection sleeve can accommodate up to three monitors depending on the configuration
- Partially assembled for quick installation
- Integrated cord management
- Integrated tool holder
- Meets or exceeds ANSI/BIFMA x5.5 guidelines
- Designed for ESI by Roger Webb Associates of London
- Warranty: 15 yr.

Model

- KATAEX1-DC-M-SLV
- KATAEX1-DC-M-BLK
- KATAEX1-DC-M-WHT
- KATAEX1-GM-M-SLV
- KATAEX1-GM-M-BLK
- KATAEX1-GM-M-WHT

KataEX monitor arm key

- F - Fixed monitor arm
- M - Motion monitor arm
- S - Slider mount

Available mounting options

- DC - Desk clamp
- GM - Grommet mount

KataEX for every need

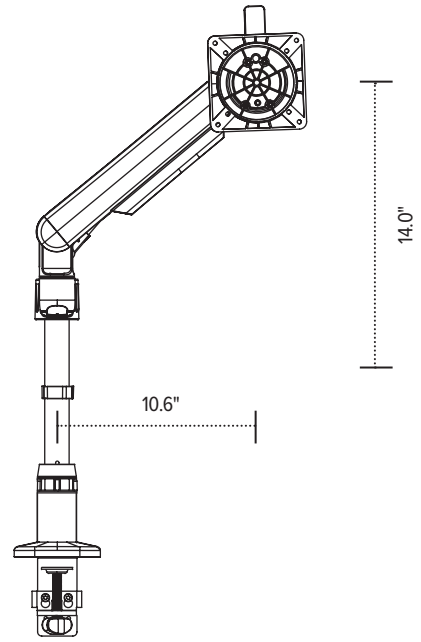
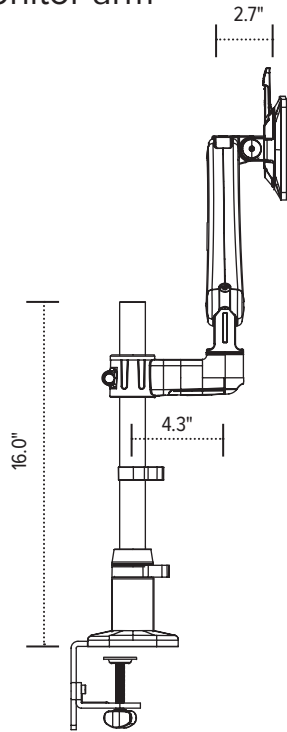
- As workstation needs change, so can the KataEX configurations. Additional components sold separately
- Benching system mount(s) available

Call our Customer Service Department for compatibility and pricing for custom configurations.

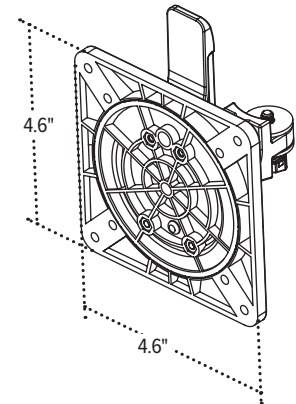
KataEX1-M

Single motion monitor arm

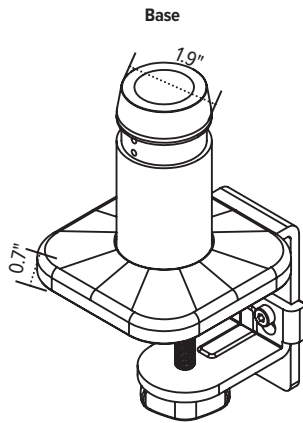
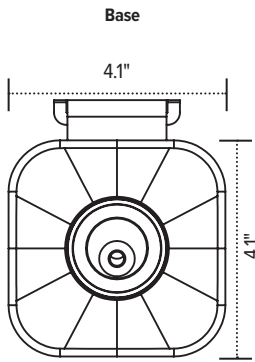
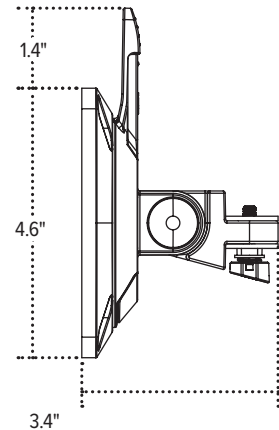
esi®



VESA plate



VESA mount
Profile view



KataEX1-MS

Single motion + slider monitor arm



tension adjustment



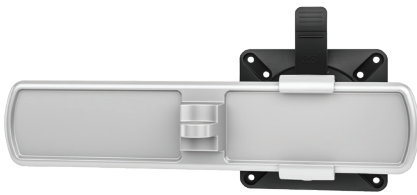
integrated tool storage



grommet mount



desk clamp



slider mount



connection sleeve

Product specs

- Finger touch dynamic height adjustment
- Recommended for worksurfaces 30.0" deep or less
- 20.33" arm extension
- 3.95" arm retraction
- +90°/-45° monitor tilt
- ±90° VESA rotation
- 2.5 lb.–18.5 lb. weight capacity
- 15.99" pole height (*includes base*)
- VESA 75mm/100mm quick release
- 180° lock-out feature
- Specify a grommet mount or a desk clamp mount
- Slider provides 9.5" of additional horizontal adjustability
- Tension adjustment indicator for precision installation
- Each connection sleeve can accommodate up to three monitors depending on the configuration
- Partially assembled for quick installation
- Integrated cord management
- Integrated tool holder
- Meets or exceeds ANSI/BIFMA x5.5 guidelines
- Designed for ESI by Roger Webb Associates of London
- Warranty: 15 yr.

Model

- KATAEX1-DC-MS-SLV
- KATAEX1-DC-MS-BLK
- KATAEX1-DC-MS-WHT
- KATAEX1-GM-MS-SLV
- KATAEX1-GM-MS-BLK
- KATAEX1-GM-MS-WHT

KataEX monitor arm key

- F - Fixed monitor arm
- M - Motion monitor arm
- S - Slider mount

Available mounting options

- DC - Desk clamp
- GM - Grommet mount

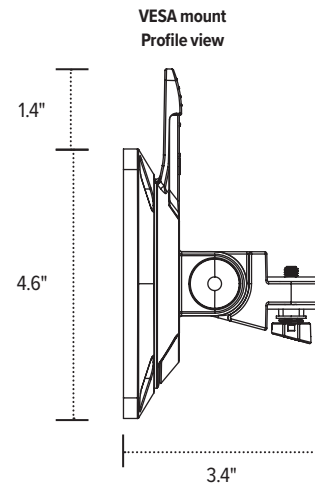
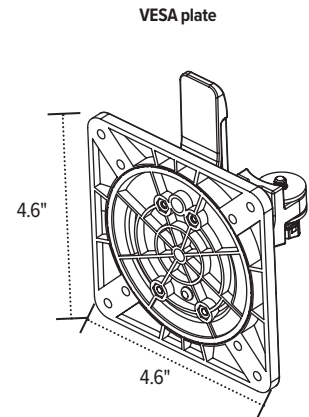
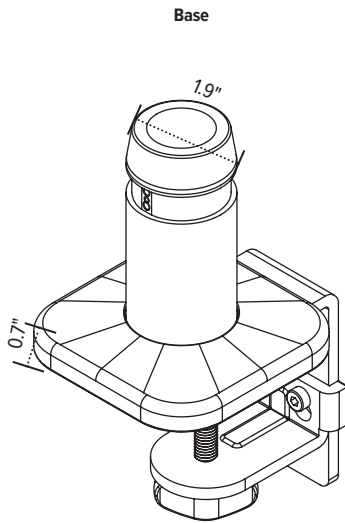
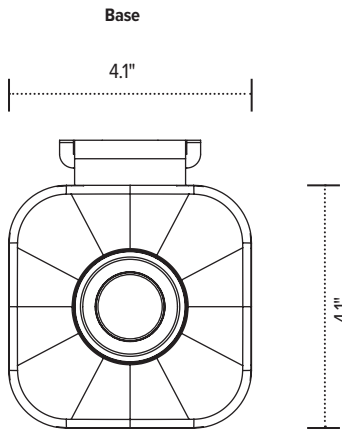
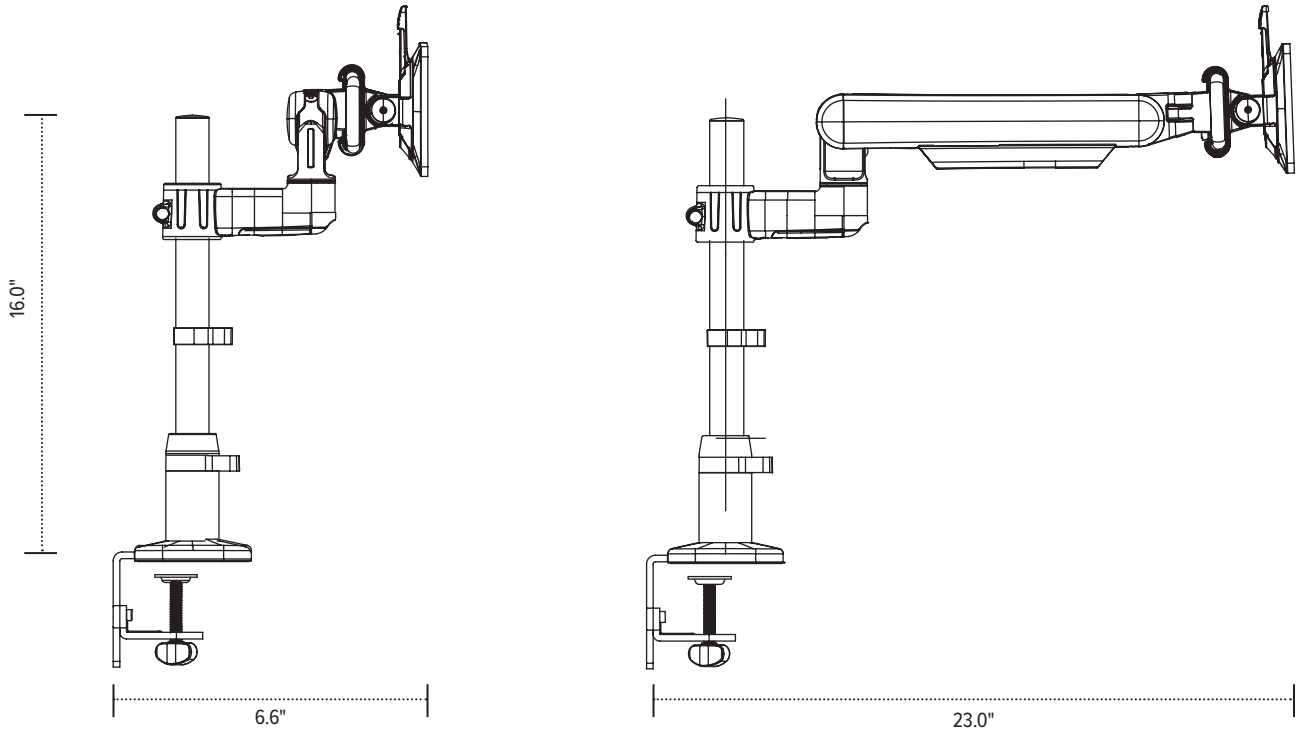
KataEX for every need

- As workstation needs change, so can the KataEX configurations. Additional components sold separately
- Benching system mount(s) available

Call our Customer Service Department for compatibility and pricing for custom configurations.

KataEX1-MS

Single motion + slider monitor arm



KataEX-Stem

Single short fixed monitor arm



tension adjustment



integrated tool storage



grommet mount



desk clamp



connection sleeve

Product specs

- Manual height adjustment
- Recommended for worksurfaces 24.0" deep or less
- 8.52" arm extension
- 4.27" arm retraction
- +90°/-45° monitor tilt
- ±90° VESA rotation
- Up to 20.0 lb. weight capacity
- 15.99" pole height (includes base)
- VESA 75mm/100mm quick release
- Specify a grommet mount or a desk clamp mount
- Tension adjustment indicator for precision installation
- Each connection sleeve can accommodate up to three monitors depending on the configuration
- Partially assembled for quick installation
- Integrated cord management
- Integrated tool holder
- Meets or exceeds ANSI/BIFMA x5.5 guidelines
- Designed for ESI by Roger Webb Associates of London
- Warranty: 15 yr.

Model

- KATAEX1-DC-ST-SLV
- KATAEX1-DC-ST-BLK
- KATAEX1-DC-ST-WHT
- KATAEX1-GM-ST-SLV
- KATAEX1-GM-ST-BLK
- KATAEX1-GM-ST-WHT

KataEX monitor arm key Available mounting options

- | | |
|------------------------|--------------------|
| F - Fixed monitor arm | DC - Desk clamp |
| M - Motion monitor arm | GM - Grommet mount |
| S - Slider mount | |

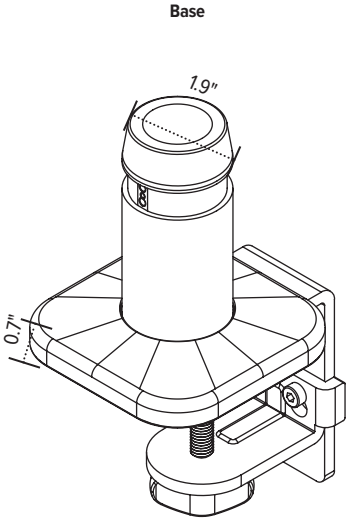
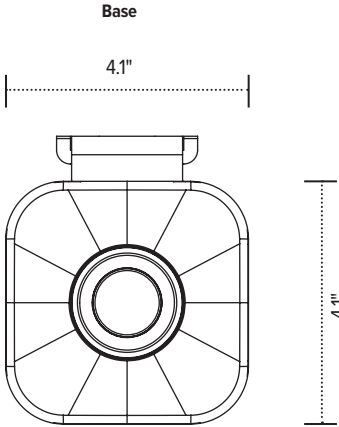
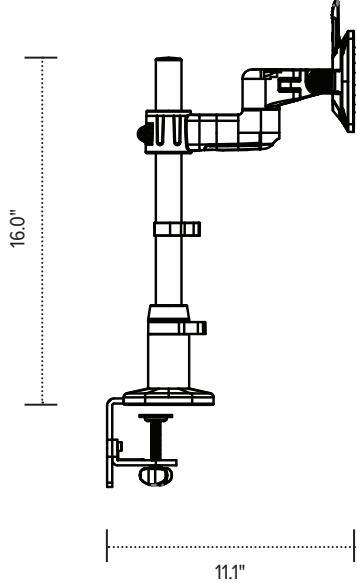
KataEX for every need

- As workstation needs change, so can the KataEX configurations. Additional components sold separately
- Benching system mount(s) available

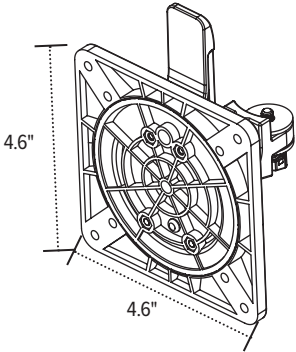
Call our Customer Service Department for compatibility and pricing for custom configurations.

KataEX-Stem

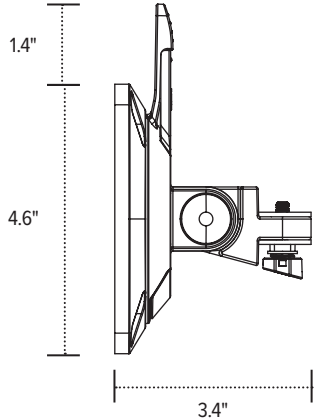
Single short fixed monitor arm



VESA plate



VESA mount
Profile view



KataEX2-F

Dual fixed monitor arm



tension adjustment



integrated tool storage



grommet mount



desk clamp



connection sleeve

Product specs

- Manual height adjustment
- Recommended for worksurfaces 30.0" deep or less
- 14.52" arm extension
- 5.12" arm retraction
- +90°/-45° monitor tilt
- ±90° VESA rotation
- Up to 20.0 lb. weight capacity (*per arm*)
- 15.99" pole height (*includes base*)
- VESA 75mm/100mm quick release
- 180° lock-out feature
- Specify a grommet mount or a desk clamp mount
- Tension adjustment indicator for precision installation
- Each connection sleeve can accommodate up to three monitors depending on the configuration
- Partially assembled for quick installation
- Integrated cord management
- Integrated tool holder
- Meets or exceeds ANSI/BIFMA x5.5 guidelines
- 29.04" max. monitor width
Bezel measured left to right.
Max. width is contingent on weight capacity.
- Designed for ESI by Roger Webb Associates of London
- Warranty: 15 yr.

Model

- KATAEX2-DC-F-SLV
- KATAEX2-DC-F-BLK
- KATAEX2-DC-F-WHT
- KATAEX2-GM-F-SLV
- KATAEX2-GM-F-BLK
- KATAEX2-GM-F-WHT

KataEX monitor arm key

- F - Fixed monitor arm
- M - Motion monitor arm
- S - Slider mount

Available mounting options

- DC - Desk clamp
- GM - Grommet mount

KataEX for every need

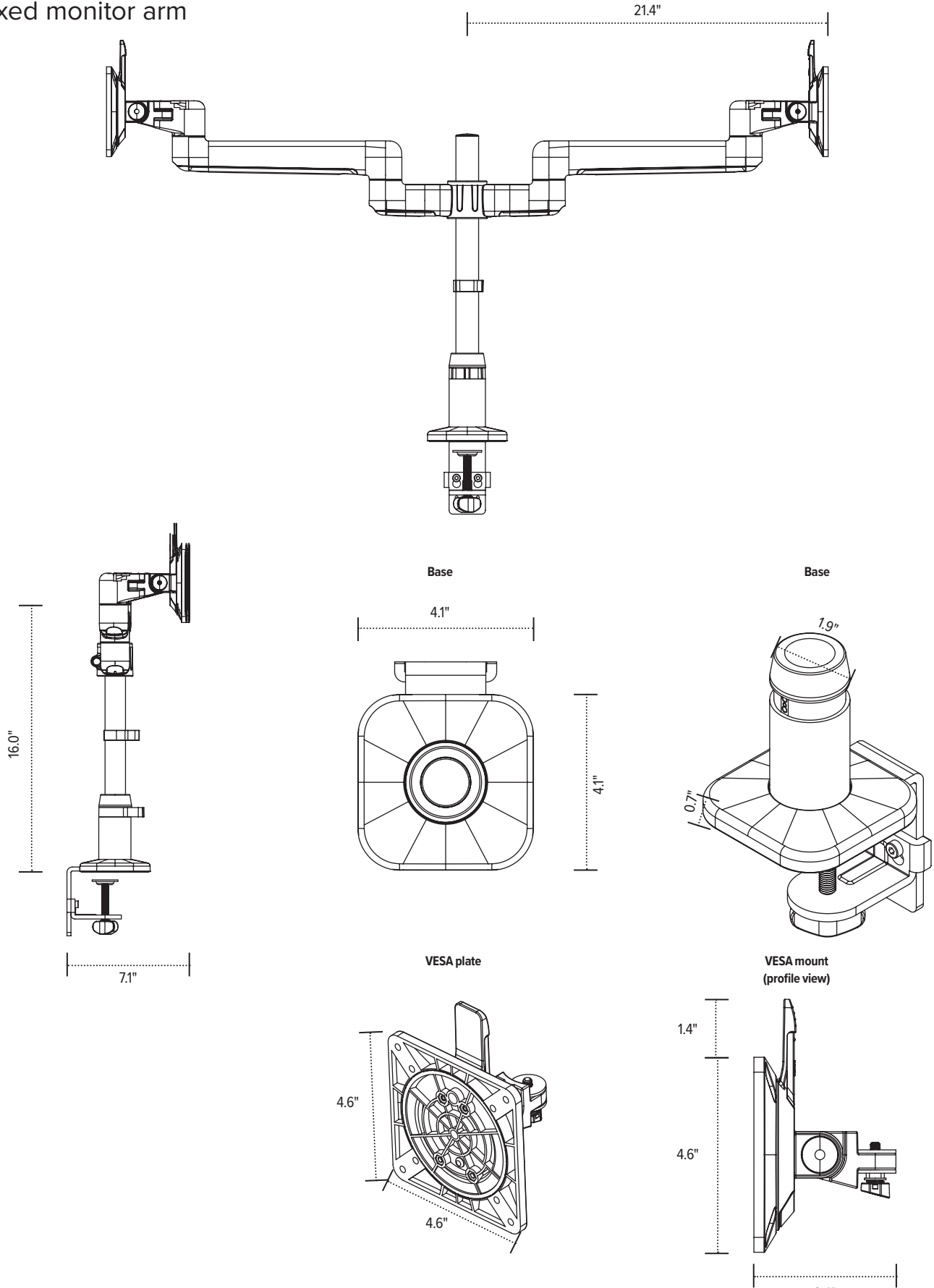
- As workstation needs change, so can the KataEX configurations. Additional components sold separately
- Benching system mount(s) available

Call our Customer Service Department for compatibility and pricing for custom configurations.

KataEX2-F

Dual fixed monitor arm

esi®



KataEX2-FF

Dual fixed + fixed monitor arm



tension adjustment



integrated tool storage



grommet mount



desk clamp



connection sleeve

Product specs

- Manual height adjustment
- Recommended for worksurfaces 36.0" deep or less
- 24.77" arm extension
- 5.12" arm retraction
- +90°/-45° monitor tilt
- ±90° VESA rotation
- Up to 20.0lb. weight capacity (*per arm*)
- 15.99" pole height (*includes base*)
- VESA 75mm/100mm quick release
- 180° lock-out feature
- Specify a grommet mount or a desk clamp mount
- Tension adjustment indicator for precision installation
- Each connection sleeve can accommodate up to three monitors depending on the configuration
- Partially assembled for quick installation
- Integrated cord management
- Integrated tool holder
- Meets or exceeds ANSI/BIFMA x5.5 guidelines
- 49.54" max. monitor width
Bezel measured left to right.
Max. width is contingent on weight capacity.
- Designed for ESI by Roger Webb Associates of London
- Warranty: 15 yr.

Model

- KATAEX2-DC-FF-SLV
- KATAEX2-DC-FF-BLK
- KATAEX2-DC-FF-WHT
- KATAEX2-GM-FF-SLV
- KATAEX2-GM-FF-BLK
- KATAEX2-GM-FF-WHT

KataEX monitor arm key Available mounting options

- | | |
|------------------------|--------------------|
| F - Fixed monitor arm | DC - Desk clamp |
| M - Motion monitor arm | GM - Grommet mount |
| S - Slider mount | |

KataEX for every need

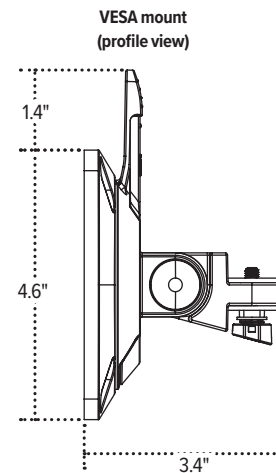
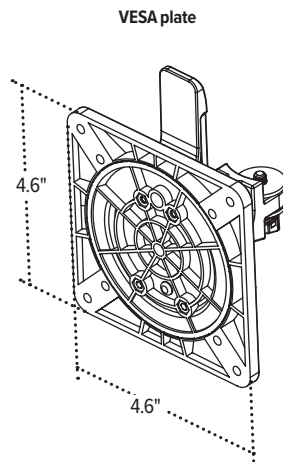
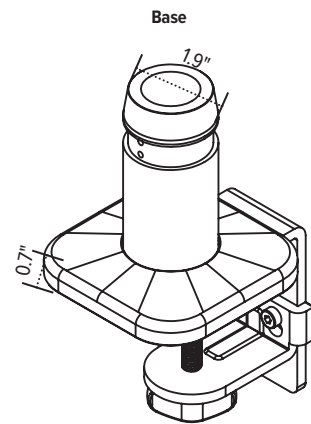
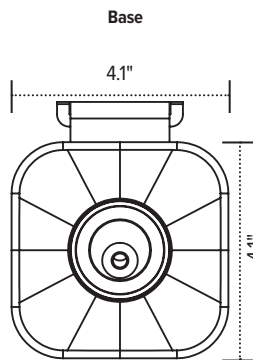
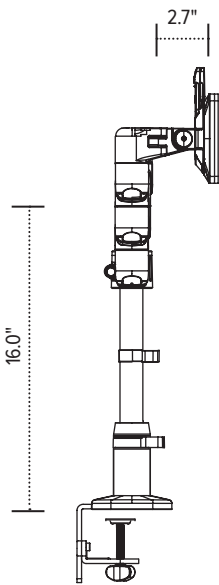
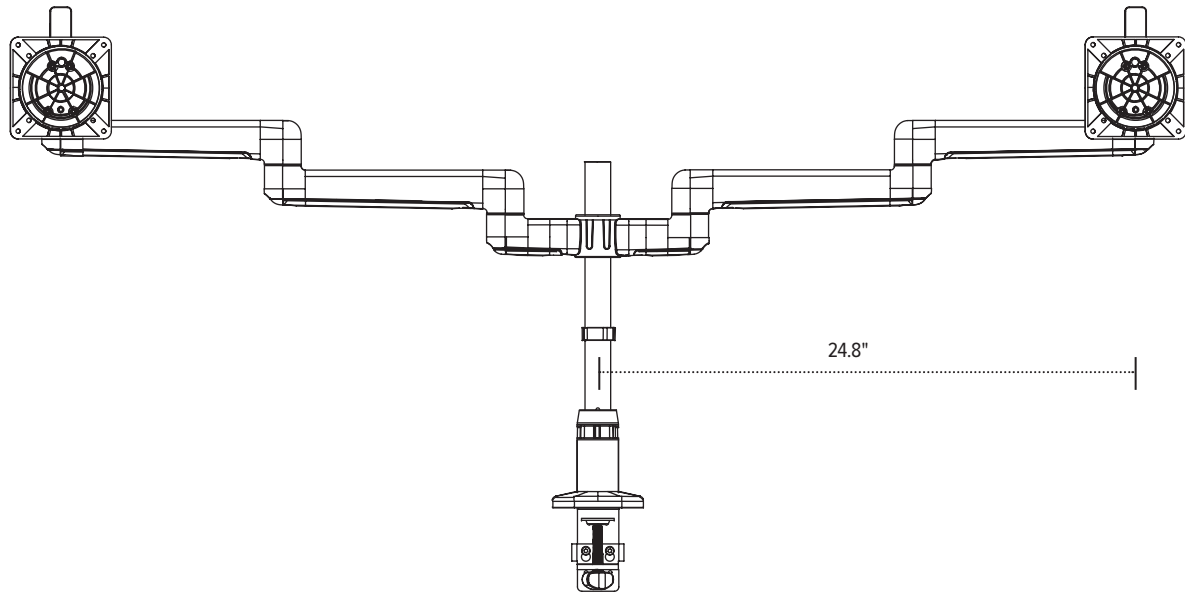
- As workstation needs change, so can the KataEX configurations. Additional components sold separately
- Benching system mount(s) available

Call our Customer Service Department for compatibility and pricing for custom configurations.

KataEX2-FF

Dual fixed + fixed monitor arm

esi®



KataEX2-FM

Dual fixed + motion monitor arm



tension adjustment



integrated tool storage



grommet mount



desk clamp



connection sleeve

Product specs

- Finger touch dynamic height adjustment
- Recommended for worksurfaces 36.0" deep or less
- 25.26" arm extension
- 3.49" arm retraction
- +90°/-45° monitor tilt
- ±90° VESA rotation
- 4.0 lb.–20.0 lb. weight capacity (*per arm*)
- 15.99" pole height (*includes base*)
- VESA 75mm/100mm quick release
- 180° lock-out feature
- Specify a grommet mount or a desk clamp mount
- Tension adjustment indicator for precision installation
- Each connection sleeve can accommodate up to three monitors depending on the configuration
- Partially assembled for quick installation
- Integrated cord management
- Integrated tool holder
- Meets or exceeds ANSI/BIFMA x5.5 guidelines
- 53.22" max. monitor width
Bezel measured left to right.
Max. width is contingent on weight capacity.
- Designed for ESI by Roger Webb Associates of London
- Warranty: 15 yr.

Model

- KATAEX2-DC-FM-SLV
- KATAEX2-DC-FM-BLK
- KATAEX2-DC-FM-WHT
- KATAEX2-GM-FM-SLV
- KATAEX2-GM-FM-BLK
- KATAEX2-GM-FM-WHT

KataEX monitor arm key Available mounting options

- | | |
|------------------------|--------------------|
| F - Fixed monitor arm | DC - Desk clamp |
| M - Motion monitor arm | GM - Grommet mount |
| S - Slider mount | |

KataEX for every need

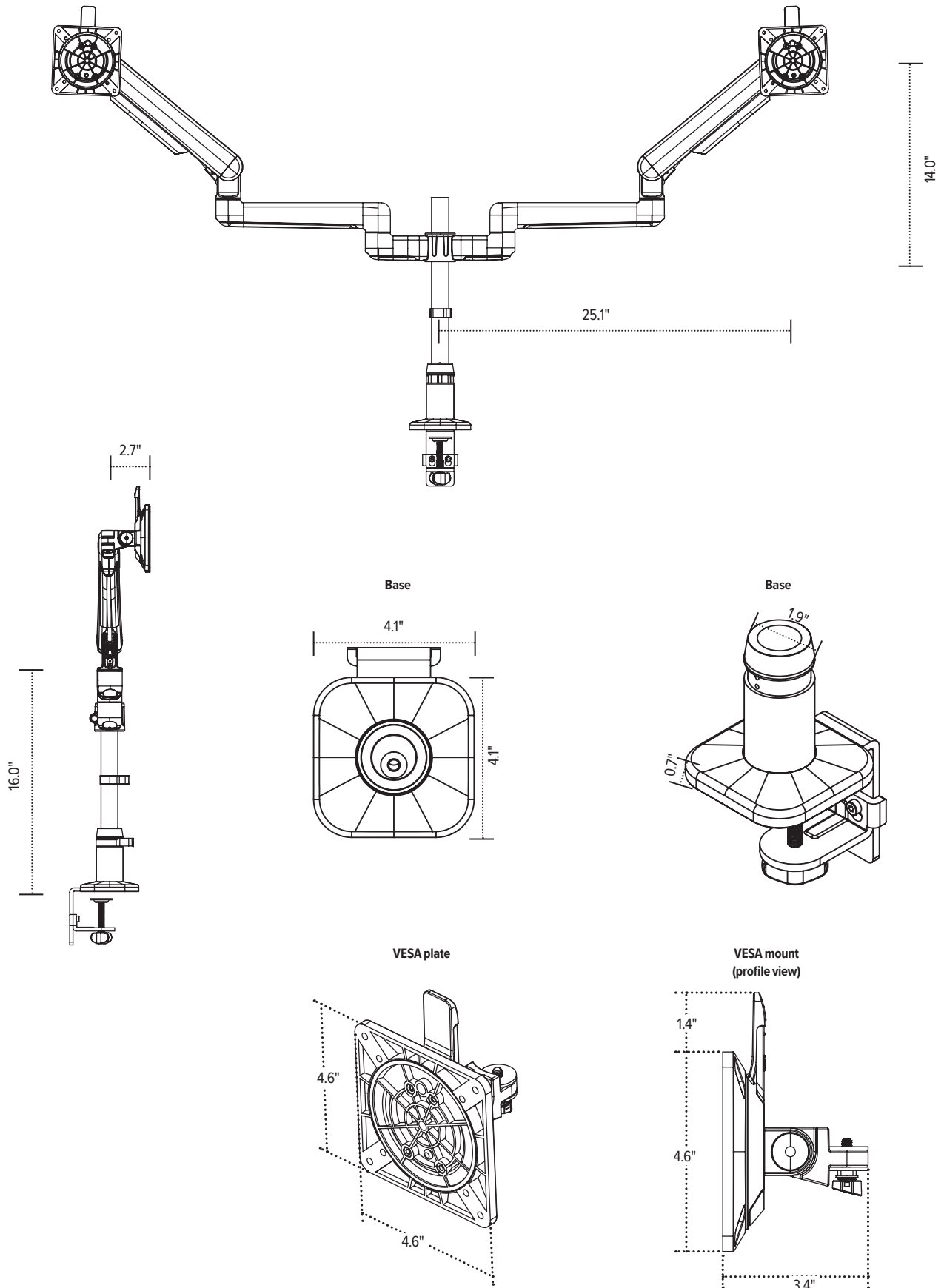
- As workstation needs change, so can the KataEX configurations. Additional components sold separately
- Benching system mount(s) available

Call our Customer Service Department for compatibility and pricing for custom configurations.

KataEX2-FM

Dual fixed + motion monitor arm

esi®



KataEX2-FMS

Dual fixed + motion + slider monitor arm



tension adjustment



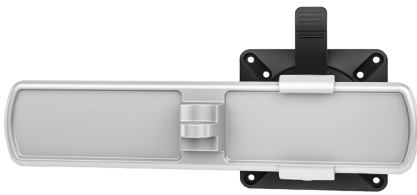
integrated tool storage



grommet mount



desk clamp



slider mount



connection sleeve

Product specs

- Finger touch dynamic height adjustment
- Recommended for worksurfaces 36.0" deep or less
- 26.32" arm extension
- 4.91" arm retraction
- +90°/-45° monitor tilt
- ±90° VESA rotation
- 2.5 lb.–18.5 lb. weight capacity (*per arm*)
- 15.99" pole height (*includes base*)
- VESA 75mm/100mm quick release
- 180° lock-out feature
- Specify a grommet mount or a desk clamp mount
- Slider provide 9.5" of additional horizontal adjustability
- Tension adjustment indicator for precision installation
- Each connection sleeve can accommodate up to three monitors depending on the configuration
- Partially assembled for quick installation
- Integrated cord management
- Integrated tool holder
- Meets or exceeds ANSI/BIFMA x5.5 guidelines
- 62.79" max. monitor width
Bezel measured left to right.
Max. width is contingent on weight capacity.
- Designed for ESI by Roger Webb Associates of London
- Warranty: 15 yr.

Model

- KATAEX2-DC-FMS-SLV
- KATAEX2-DC-FMS-BLK
- KATAEX2-DC-FMS-WHT
- KATAEX2-GM-FMS-SLV
- KATAEX2-GM-FMS-BLK
- KATAEX2-GM-FMS-WHT

KataEX monitor arm key Available mounting options

- | | |
|------------------------|--------------------|
| F - Fixed monitor arm | DC - Desk clamp |
| M - Motion monitor arm | GM - Grommet mount |
| S - Slider mount | |

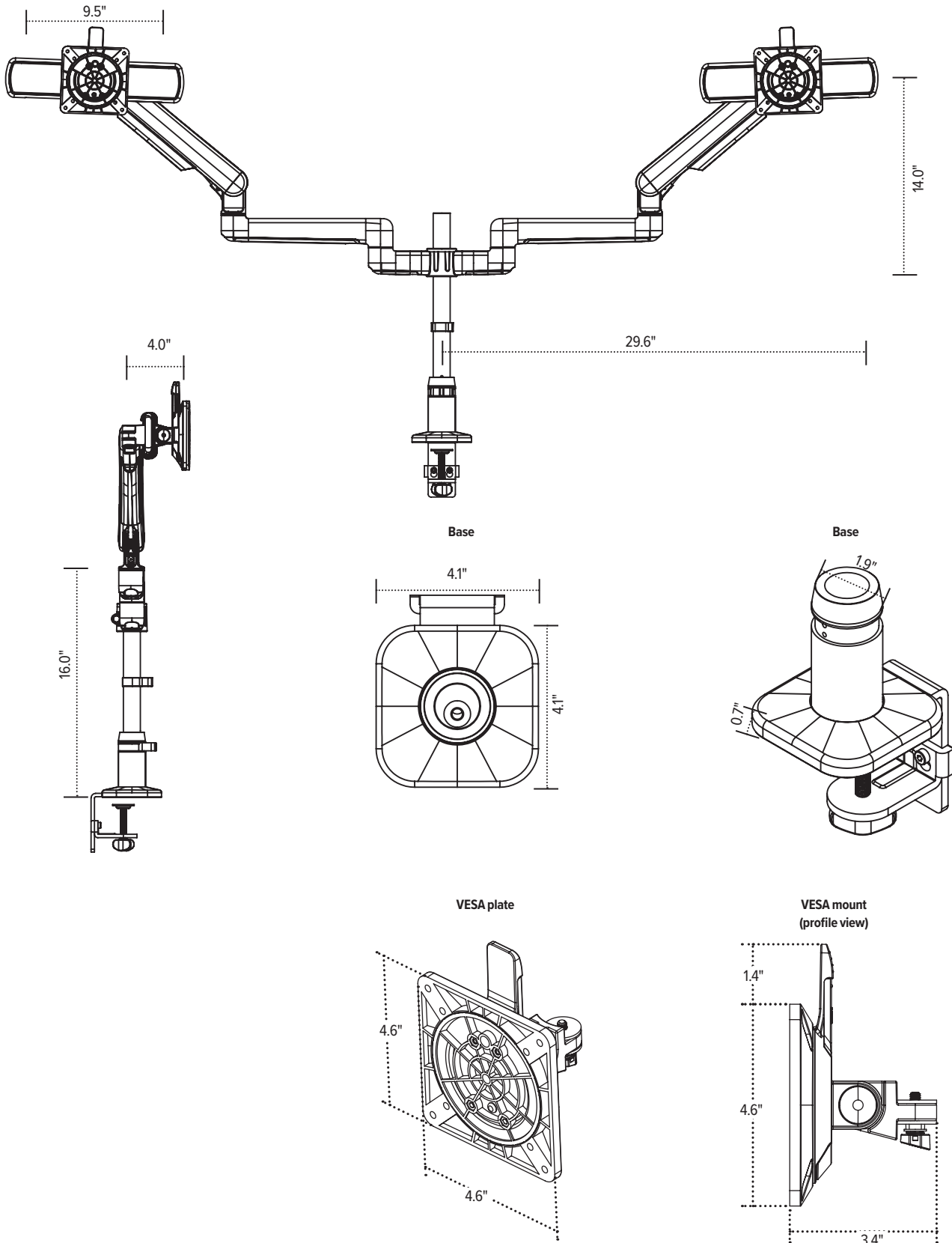
KataEX for every need

- As workstation needs change, so can the KataEX configurations. Additional components sold separately
- Benching system mount(s) available

Call our Customer Service Department for compatibility and pricing for custom configurations.

KataEX2-FMS

Dual fixed + motion + slider monitor arm



KataEX2-FS

Dual fixed + slider monitor arm



tension adjustment



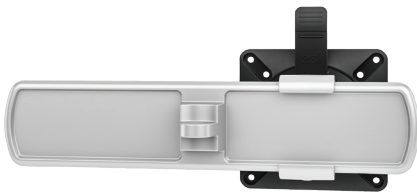
integrated tool storage



grommet mount



desk clamp



slider mount



connection sleeve

Product specs

- Manual height adjustment
- Recommended for worksurfaces 30.0" deep or less
- 15.58" arm extension
- 6.18" arm retraction
- +90°/-45° monitor tilt
- ±90° VESA rotation
- Up to 20.0 lb. weight capacity (*per arm*)
- 15.99" pole height (*includes base*)
- VESA 75mm/100mm quick release
- 180° lock-out feature
- Specify a grommet mount or a desk clamp mount
- Slider provide 9.5" of additional horizontal adjustability
- Tension adjustment indicator for precision installation
- Each connection sleeve can accommodate up to three monitors depending on the configuration
- Partially assembled for quick installation
- Integrated cord management
- Integrated tool holder
- Meets or exceeds ANSI/BIFMA x5.5 guidelines
- 38.55" max. monitor width
Bezel measured left to right.
Max. width is contingent on weight capacity.
- Designed for ESI by Roger Webb Associates of London
- Warranty: 15 yr.

Model

- KATAEX2-DC-FS-SLV
- KATAEX2-DC-FS-BLK
- KATAEX2-DC-FS-WHT
- KATAEX2-GM-FS-SLV
- KATAEX2-GM-FS-BLK
- KATAEX2-GM-FS-WHT

KataEX monitor arm key

- F - Fixed monitor arm
- M - Motion monitor arm
- S - Slider mount

Available mounting options

- DC - Desk clamp
- GM - Grommet mount

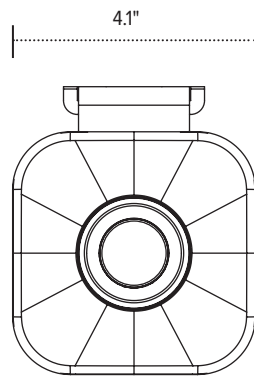
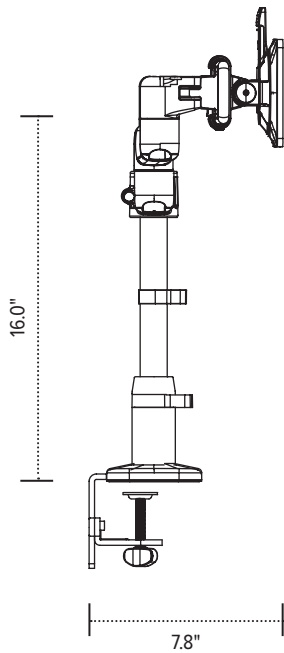
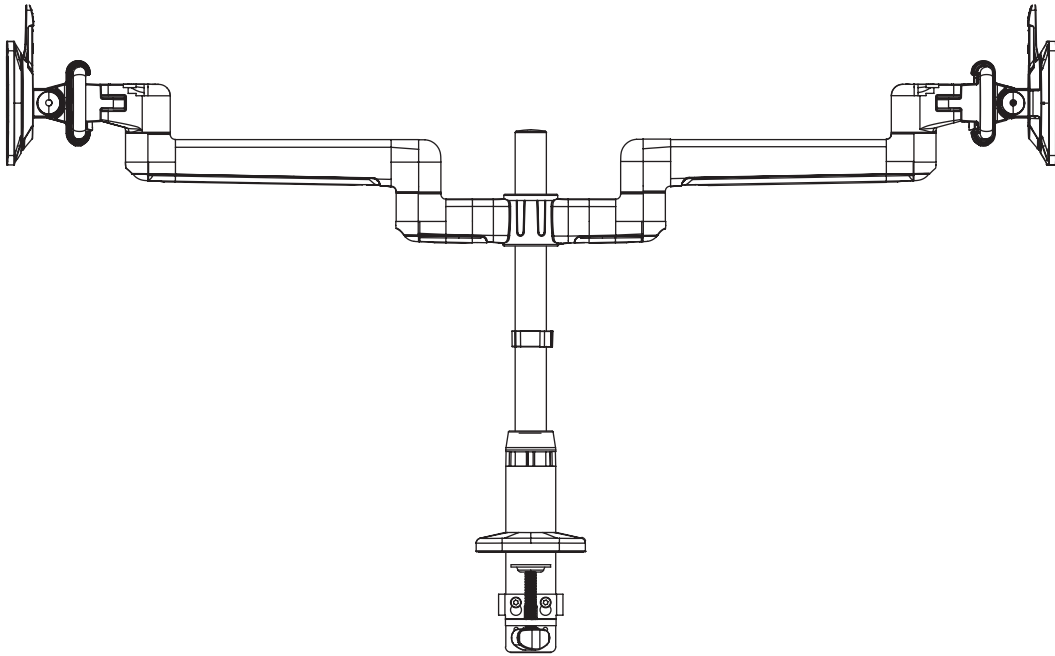
KataEX for every need

- As workstation needs change, so can the KataEX configurations. Additional components sold separately
- Benching system mount(s) available

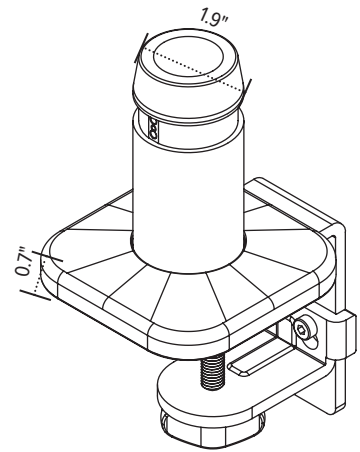
Call our Customer Service Department for compatibility and pricing for custom configurations.

KataEX2-FS

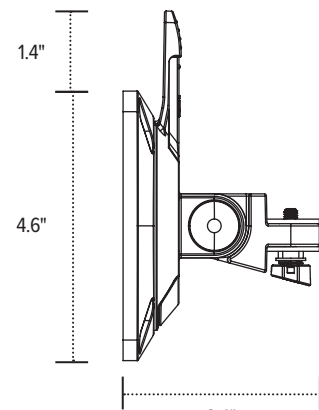
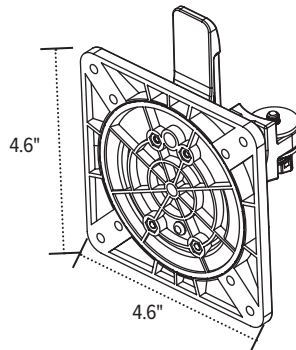
Dual fixed + slider monitor arm



VESA plate



VESA mount
(profile view)



KataEX2-M

Dual motion monitor arm



tension adjustment



integrated tool storage



grommet mount



desk clamp



connection sleeve

Product specs

- Finger touch dynamic height adjustment
- Recommended for worksurfaces 30.0" deep or less
- 15.01" arm extension
- 3.39" arm retraction
- +90°/-45° monitor tilt
- ±90° VESA rotation
- 4.0 lb.–20.0 lb. weight capacity (*per arm*)
- 15.99" pole height (*includes base*)
- VESA 75mm/100mm quick release
- 180° lock-out feature
- Specify a grommet mount or a desk clamp mount
- Tension adjustment indicator for precision installation
- Each connection sleeve can accommodate up to three monitors depending on the configuration
- Partially assembled for quick installation
- Integrated cord management
- Integrated tool holder
- Meets or exceeds ANSI/BIFMA x5.5 guidelines
- 32.72" max. monitor width
Bezel measured left to right.
Max. width is contingent on weight capacity.
- Designed for ESI by Roger Webb Associates of London
- Warranty: 15 yr.

Model

- KATAEX2-DC-M-SLV
- KATAEX2-DC-M-BLK
- KATAEX2-DC-M-WHT
- KATAEX2-GM-M-SLV
- KATAEX2-GM-M-BLK
- KATAEX2-GM-M-WHT

KataEX monitor arm key Available mounting options

- | | |
|------------------------|--------------------|
| F - Fixed monitor arm | DC - Desk clamp |
| M - Motion monitor arm | GM - Grommet mount |
| S - Slider mount | |

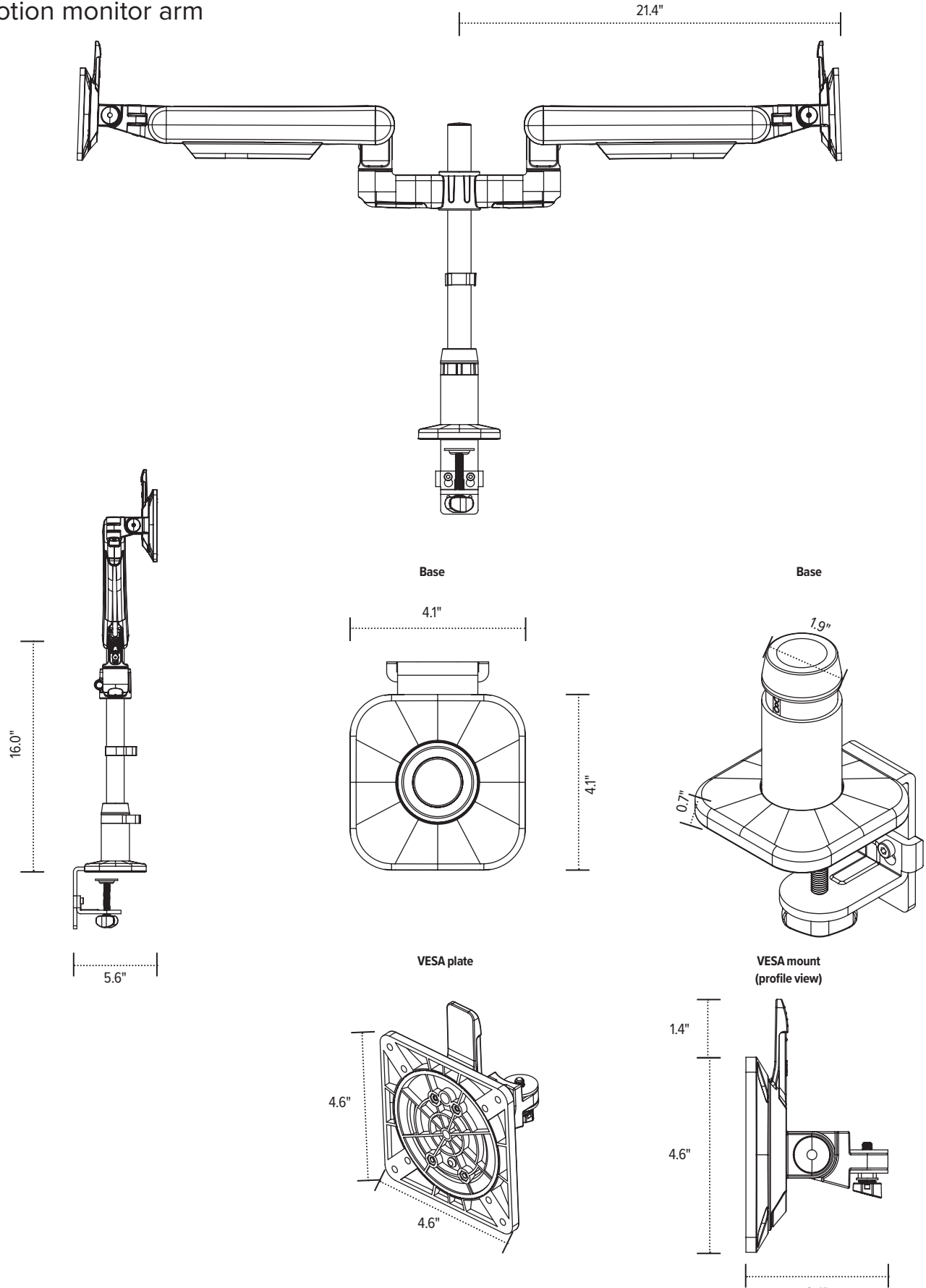
KataEX for every need

- As workstation needs change, so can the KataEX configurations. Additional components sold separately
- Benching system mount(s) available

Call our Customer Service Department for compatibility and pricing for custom configurations.

KataEX2-M

Dual motion monitor arm



KataEX2-MS

Dual motion + slider monitor arm



tension adjustment



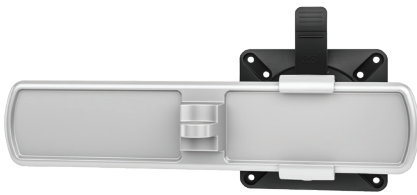
integrated tool storage



grommet mount



desk clamp



slider mount



connection sleeve

Product specs

- Finger touch dynamic height adjustment
- Recommended for worksurfaces 30.0" deep or less
- 16.07" arm extension
- 5.86" arm retraction
- +90°/-45° monitor tilt
- ±90° VESA rotation
- 2.5 lb.–18.5 lb. weight capacity (*per arm*)
- 15.99" pole height (*includes base*)
- VESA 75mm/100mm quick release
- 180° lock-out feature
- Specify a grommet mount or a desk clamp mount
- Slider provide 9.5" of additional horizontal adjustability
- Tension adjustment indicator for precision installation
- Each connection sleeve can accommodate up to three monitors depending on the configuration
- Partially assembled for quick installation
- Integrated cord management
- Integrated tool holder
- Meets or exceeds ANSI/BIFMA x5.5 guidelines
- 42.29" max. monitor width
Bezel measured left to right.
Max. width is contingent on weight capacity.
- Designed for ESI by Roger Webb Associates of London
- Warranty: 15 yr.

Model

- KATAEX2-DC-MS-SLV
- KATAEX2-DC-MS-BLK
- KATAEX2-DC-MS-WHT
- KATAEX2-GM-MS-SLV
- KATAEX2-GM-MS-BLK
- KATAEX2-GM-MS-WHT

KataEX monitor arm key Available mounting options

- | | |
|------------------------|--------------------|
| F - Fixed monitor arm | DC - Desk clamp |
| M - Motion monitor arm | GM - Grommet mount |
| S - Slider mount | |

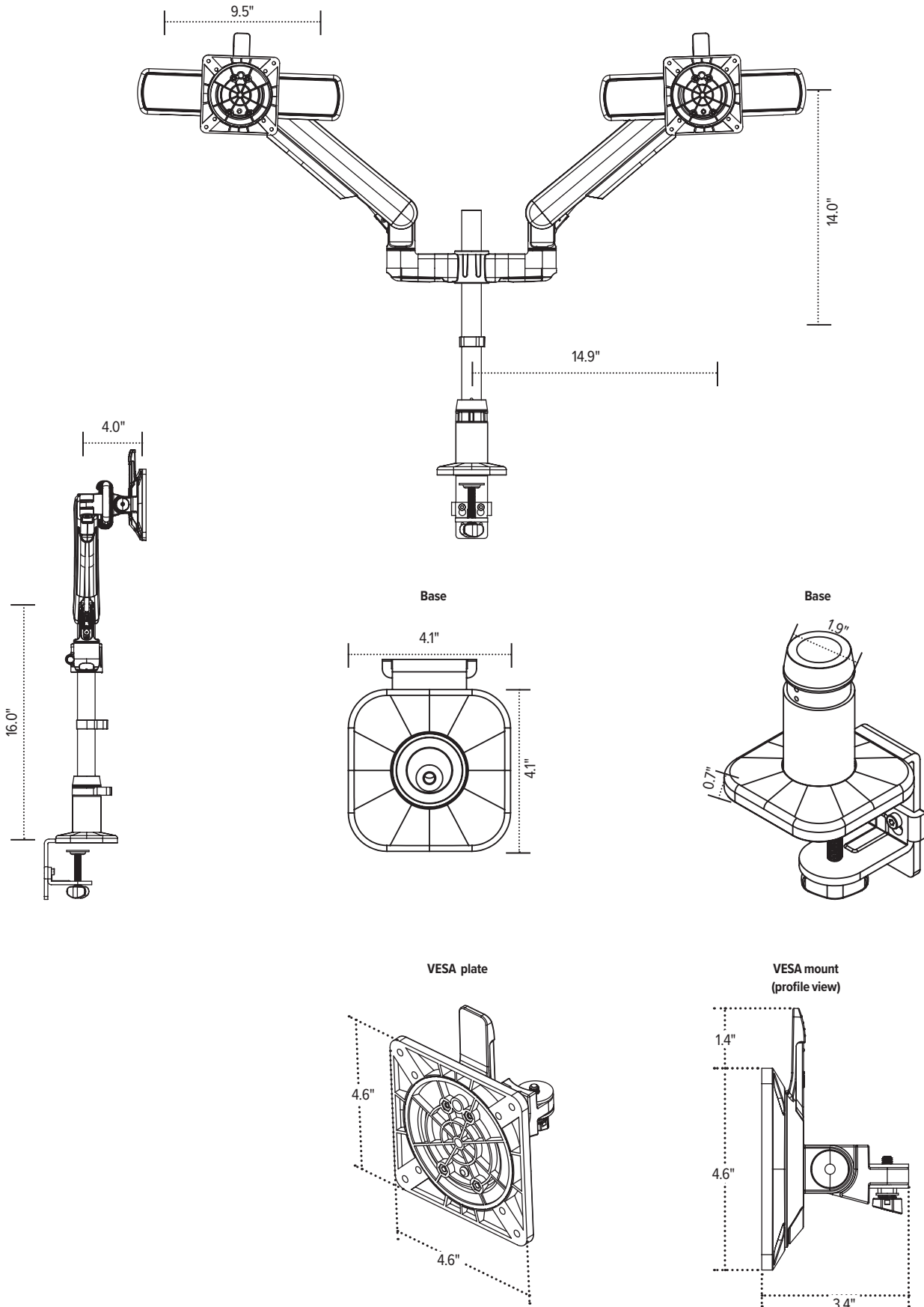
KataEX for every need

- As workstation needs change, so can the KataEX configurations. Additional components sold separately
- Benching system mount(s) available

Call our Customer Service Department for compatibility and pricing for custom configurations.

KataEX2-MS

Dual motion + slider monitor arm



KataEX3-FF

Triple fixed + fixed monitor arm



tension adjustment



integrated tool storage



grommet mount



desk clamp



connection sleeve

Product specs

- Manual height adjustment
- Recommended for worksurfaces 30.0" deep or less
- 24.77" outside arm extension
- 8.52" center arm extension
- 5.12" arm retraction
- +90°/-45° monitor tilt
- ±90° VESA rotation
- Up to 20.0 lb. weight capacity (*per arm*)
- 15.99" pole height (*includes base*)
- VESA 75mm/100mm quick release
- 180° lock-out feature
- Specify a grommet mount or a desk clamp mount
- Tension adjustment indicator for precision installation
- Each connection sleeve can accommodate up to three monitors depending on the configuration
- Partially assembled for quick installation
- Integrated cord management
- Integrated tool holder
- Meets or exceeds ANSI/BIFMA x5.5 guidelines
- 26.14" max. monitor width
Bezel measured left to right.
Max. width is contingent on weight capacity.
- Designed for ESI by Roger Webb Associates of London
- Warranty: 15 yr.

Model

- KATAEX3-DC-FF-SLV
- KATAEX3-DC-FF-BLK
- KATAEX3-DC-FF-WHT
- KATAEX3-GM-FF-SLV
- KATAEX3-GM-FF-BLK
- KATAEX3-GM-FF-WHT

KataEX monitor arm key Available mounting options

- | | |
|------------------------|--------------------|
| F - Fixed monitor arm | DC - Desk clamp |
| M - Motion monitor arm | GM - Grommet mount |
| S - Slider mount | |

KataEX for every need

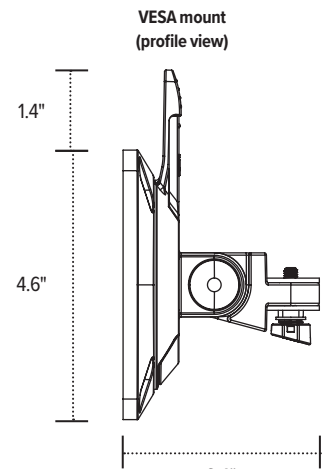
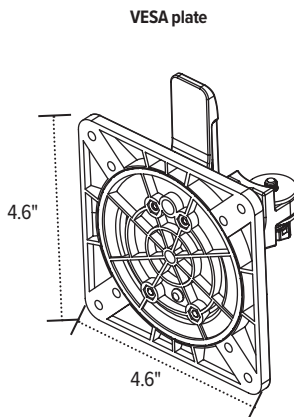
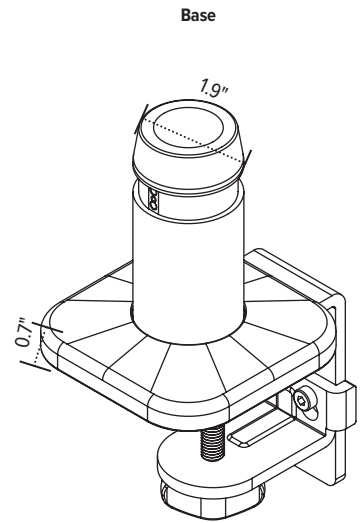
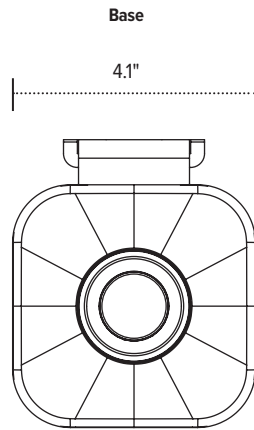
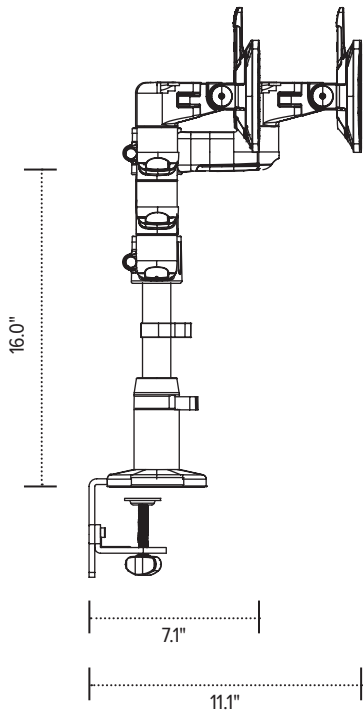
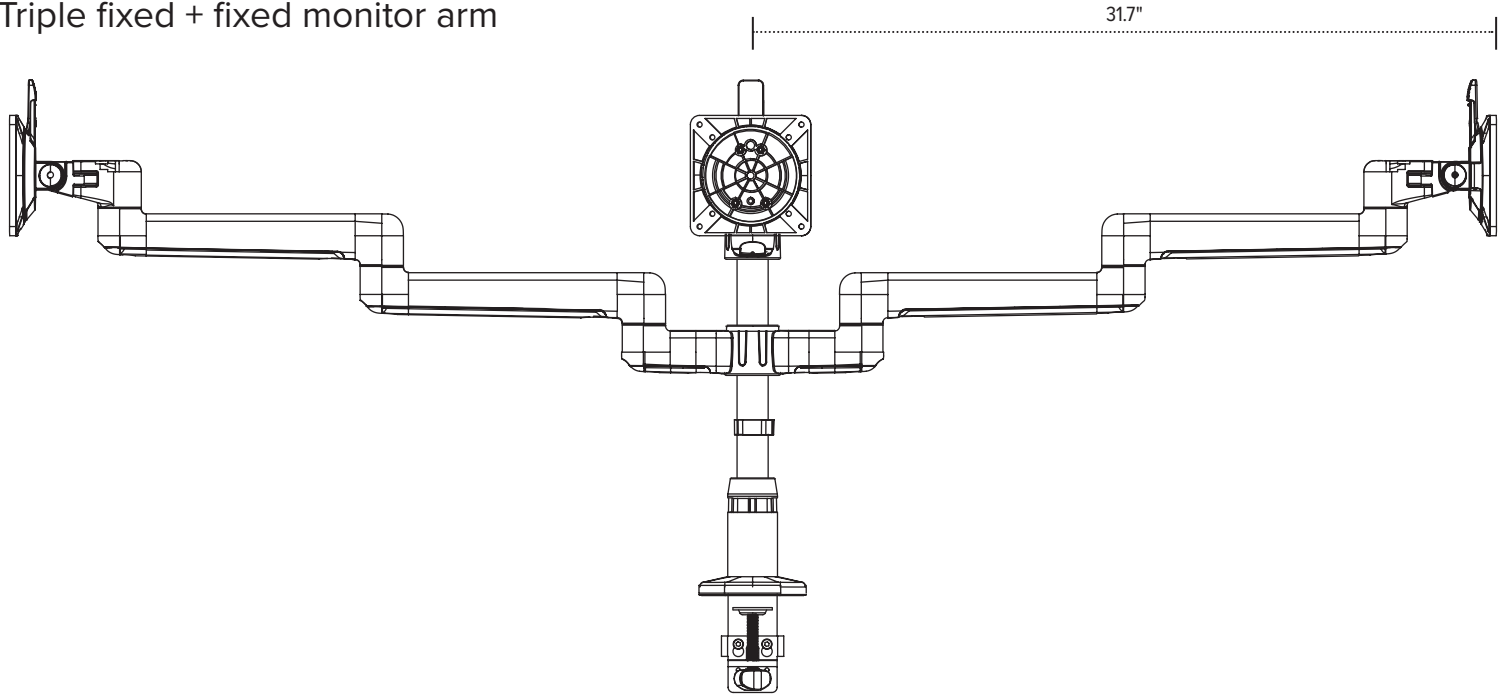
- As workstation needs change, so can the KataEX configurations. Additional components sold separately
- Benching system mount(s) available

Call our Customer Service Department for compatibility and pricing for custom configurations.

KataEX3-FF



Triple fixed + fixed monitor arm



KataEX3-FMS



Triple fixed + motion + slider monitor arm



tension adjustment



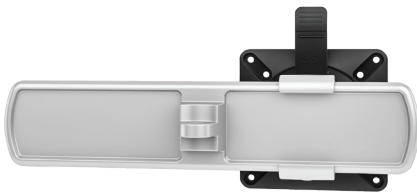
integrated tool storage



grommet mount



desk clamp



slider mount



connection sleeve

Product specs

- Finger touch dynamic height adjustment
- Recommended for worksurfaces 30.0" deep or less
- 26.32" outside arm extension
- 8.52" center arm extension
- 4.91" arm retraction
- +90°/-45° monitor tilt (*slider & standard mount*)
- ±90° VESA rotation
- Up to 20.0 lb. weight capacity (*center arm*)
2.5 lb.–18.5 lb. weight capacity (*per outside arm*)
- 15.99" pole height (*includes base*)
- VESA 75mm/100mm quick release
- 180° lock-out feature
- Includes a grommet mount or a desk clamp mount
- Slider provide 9.5" of additional horizontal adjustability
- Tension adjustment indicator for precision installation
- Each connection sleeve can accommodate up to three monitors depending on the configuration
- Partially assembled for quick installation
- Integrated cord management
- Integrated tool holder
- Meets or exceeds ANSI/BIFMA x5.5 guidelines
- 26.63" max. monitor width
Bezel measured left to right.
Max. width is contingent on weight capacity.
- Designed for ESI by Roger Webb Associates of London
- Warranty: 15 yr.

Model

- KATAEX3-DC-FMS-SLV
- KATAEX3-DC-FMS-BLK
- KATAEX3-DC-FMS-WHT
- KATAEX3-GM-FMS-SLV
- KATAEX3-GM-FMS-BLK
- KATAEX3-GM-FMS-WHT

KataEX monitor arm key Available mounting options

- | | |
|------------------------|--------------------|
| F - Fixed monitor arm | DC - Desk clamp |
| M - Motion monitor arm | GM - Grommet mount |
| S - Slider mount | |

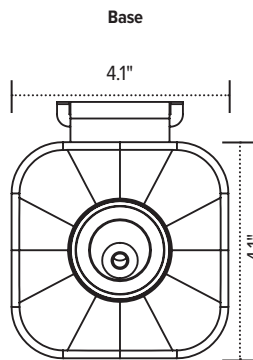
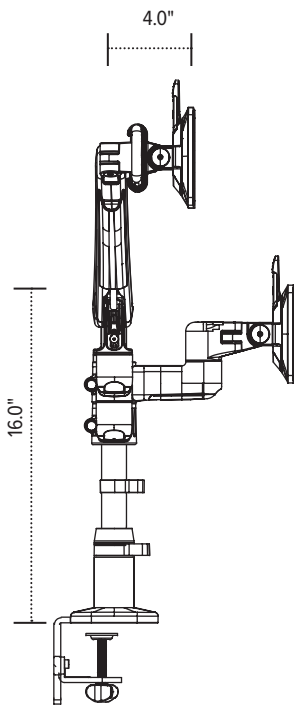
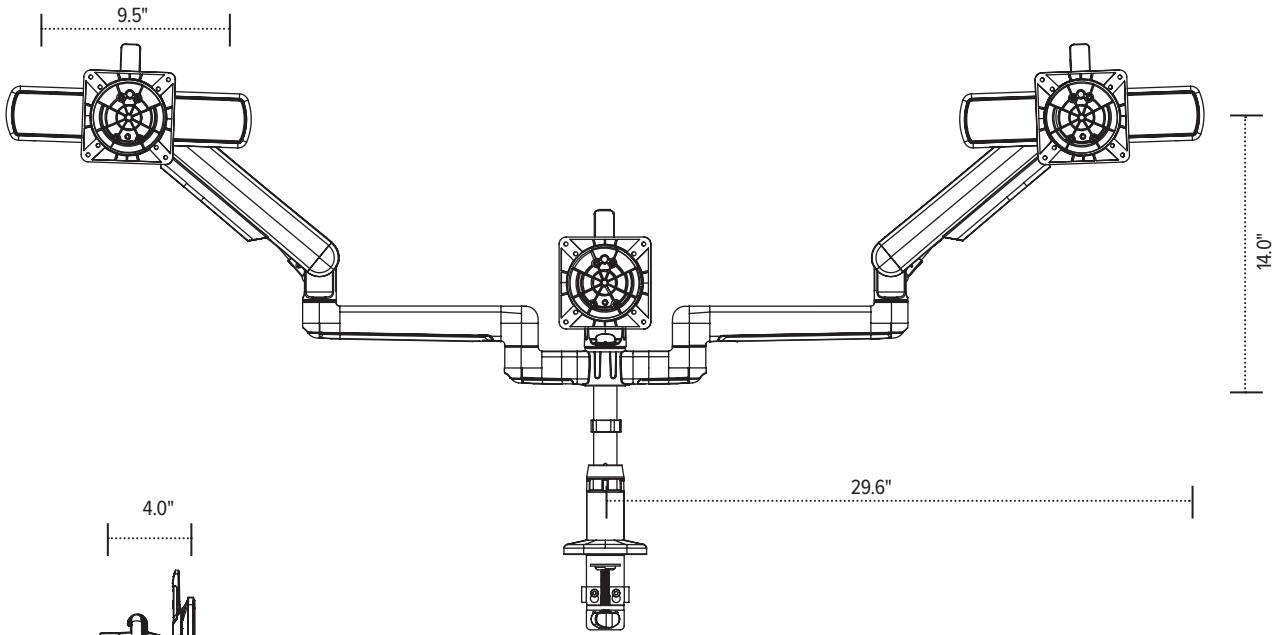
KataEX for every need

- As workstation needs change, so can the KataEX configurations. Additional components sold separately
- Benching system mount(s) available

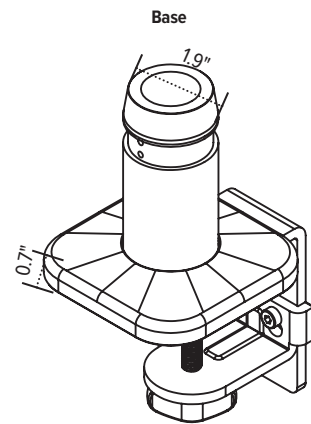
Call our Customer Service Department for compatibility and pricing for custom configurations.

KataEX3-FMS

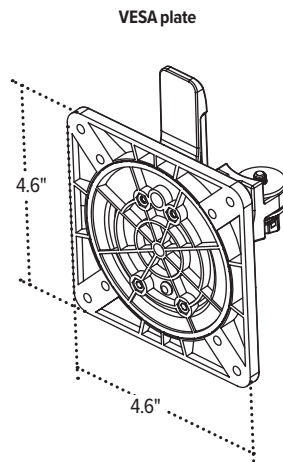
Triple fixed + motion + slider monitor arm



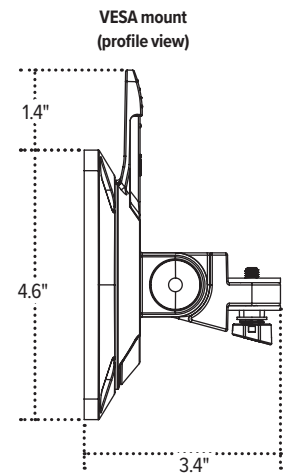
Base



Base



VESA plate



VESA mount
(profile view)

KataEX4-FF

Quad fixed + fixed monitor arm



tension adjustment



integrated tool storage



grommet mount



desk clamp



connection sleeve

Product specs

- Manual height adjustment
- Recommended for worksurfaces 36.0" deep or less
- 24.77" arm extension
- 5.12" arm retraction
- +90°/-45° monitor tilt
- ±90° VESA rotation
- Up to 20.0lb. weight capacity (*per arm*)
- 25.99" pole height (*includes base*)
- VESA 75mm/100mm quick release
- 180° lock-out feature
- Desk clamp mount only
- Tension adjustment indicator for precision installation
- Each connection sleeve can accommodate up to three monitors depending on the configuration
- Partially assembled for quick installation
- Integrated cord management
- Integrated tool holder
- Meets or exceeds ANSI/BIFMA x5.5 guidelines
- 49.54" max. monitor width
Bezel measured left to right.
Max. width is contingent on weight capacity
Note: monitor height/weight might limit size
- Designed for ESI by Roger Webb Associates of London
- Warranty: 15 yr.

Model

- KATAEX4-DC-FF-SLV
- KATAEX4-DC-FF-BLK
- KATAEX4-DC-FF-WHT

KataEX monitor arm key

- F - Fixed monitor arm
- M - Motion monitor arm
- S - Slider mount

Available mounting options

- DC - Desk clamp
- GM - Grommet mount

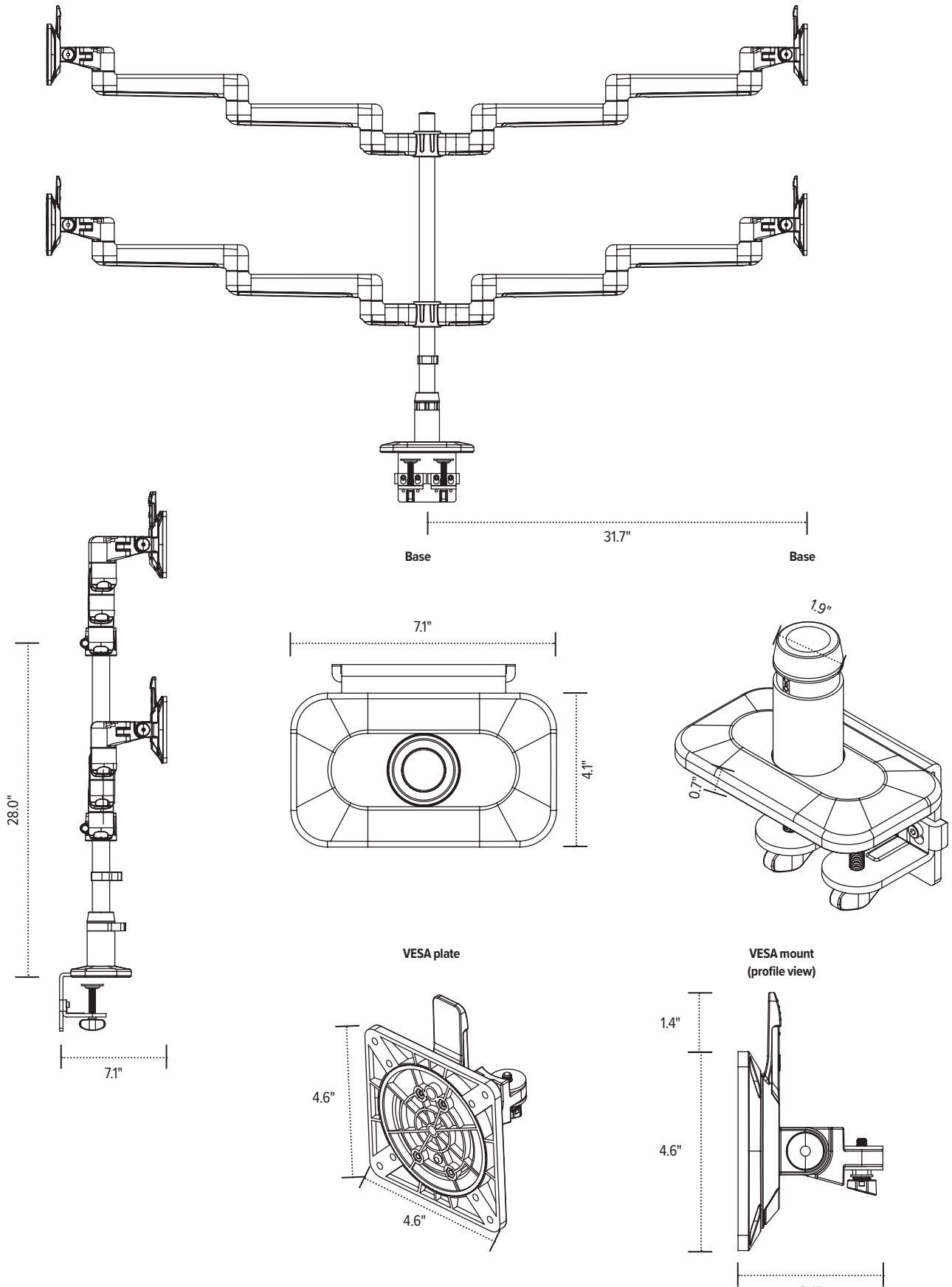
KataEX for every need

- As workstation needs change, so can the KataEX configurations. Additional components sold separately
- Benching system mount(s) available

Call our Customer Service Department for compatibility and pricing for custom configurations.

KataEX4-FF

Quad fixed + fixed monitor arm



KataEX4-FM

Triple fixed + motion monitor arm



tension adjustment



integrated tool storage



grommet mount



desk clamp



connection sleeve

Product specs

- Finger touch dynamic height adjustment
- Recommended for worksurfaces 36.0" deep or less
- 25.26" arm extension
- 3.49" arm retraction
- +90°/-45° monitor tilt
- ±90° VESA rotation
- 4.0–20.0lb. weight capacity (*per arm*)
- 25.99" pole height (*includes base*)
- VESA 75mm/100mm quick release
- 180° lock-out feature
- Desk clamp mount only
- Tension adjustment indicator for precision installation
- Each connection sleeve can accommodate up to three monitors depending on the configuration
- Partially assembled for quick installation
- Integrated cord management
- Integrated tool holder
- Meets or exceeds ANSI/BIFMA x5.5 guidelines
- 53.22" max. monitor width
Bezel measured left to right.
Max. width is contingent on weight capacity.
Note: monitor height/weight might limit size.
- Designed for ESI by Roger Webb Associates of London
- Warranty: 15 yr.

Model

- KATAEX4-DC-FM-SLV
- KATAEX4-DC-FM-BLK
- KATAEX4-DC-FM-WHT

KataEX monitor arm key

- F - Fixed monitor arm
- M - Motion monitor arm
- S - Slider mount

Available mounting options

- DC - Desk clamp
- GM - Grommet mount

KataEX for every need

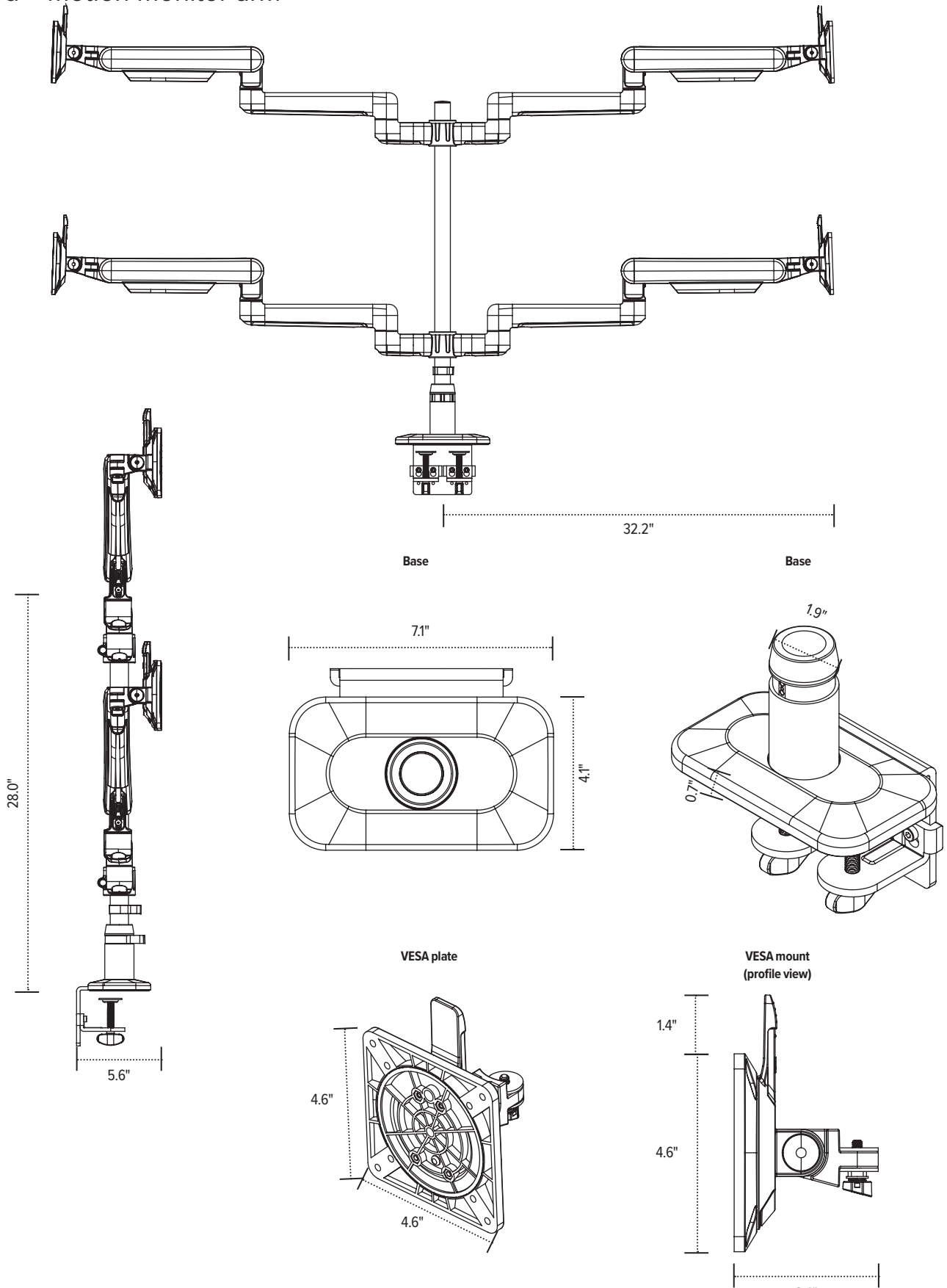
- As workstation needs change, so can the KataEX configurations. Additional components sold separately
- Benching system mount(s) available

Call our Customer Service Department for compatibility and pricing for custom configurations.

KataEX4-FM

Triple fixed + motion monitor arm

esi®



KataEX4-FMS



Quad fixed + motion + slider monitor arm



tension adjustment



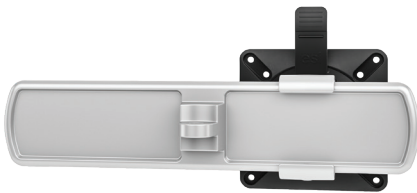
integrated tool storage



grommet mount



desk clamp



slider mount



connection sleeve

Product specs

- Finger touch dynamic height adjustment
- Recommended for worksurfaces 36.0" deep or less
- 33.4" arm extension
- 6.6" arm retraction
- +90°/-45° monitor tilt
- ±90° VESA rotation
- 2.5 lb.–18.5 lb. weight capacity (*per arm*)
- 28.0" pole height (*includes base*)
- VESA 75mm/100mm quick release
- 180° lock-out feature
- Desk clamp mount only
- Slider provide 9.5" of additional horizontal adjustability
- Tension adjustment indicator for precision installation
- Each connection sleeve can accommodate up to three monitors depending on the configuration
- Partially assembled for quick installation
- Integrated cord management
- Integrated tool holder
- Meets or exceeds ANSI/BIFMA x5.5 guidelines
- 32.0" max. monitor width
Bezel measured left to right.
Max. width is contingent on weight capacity.
Note: monitor height/weight might limit size.
- Designed for ESI by Roger Webb Associates of London
- Warranty: 15 yr.

Model

- KATAEX4-DC-FMS-SLV
- KATAEX4-DC-FMS-BLK
- KATAEX4-DC-FMS-WHT

KataEX monitor arm key

- F - Fixed monitor arm
- M - Motion monitor arm
- S - Slider mount

Available mounting options

- DC - Desk clamp
- GM - Grommet mount

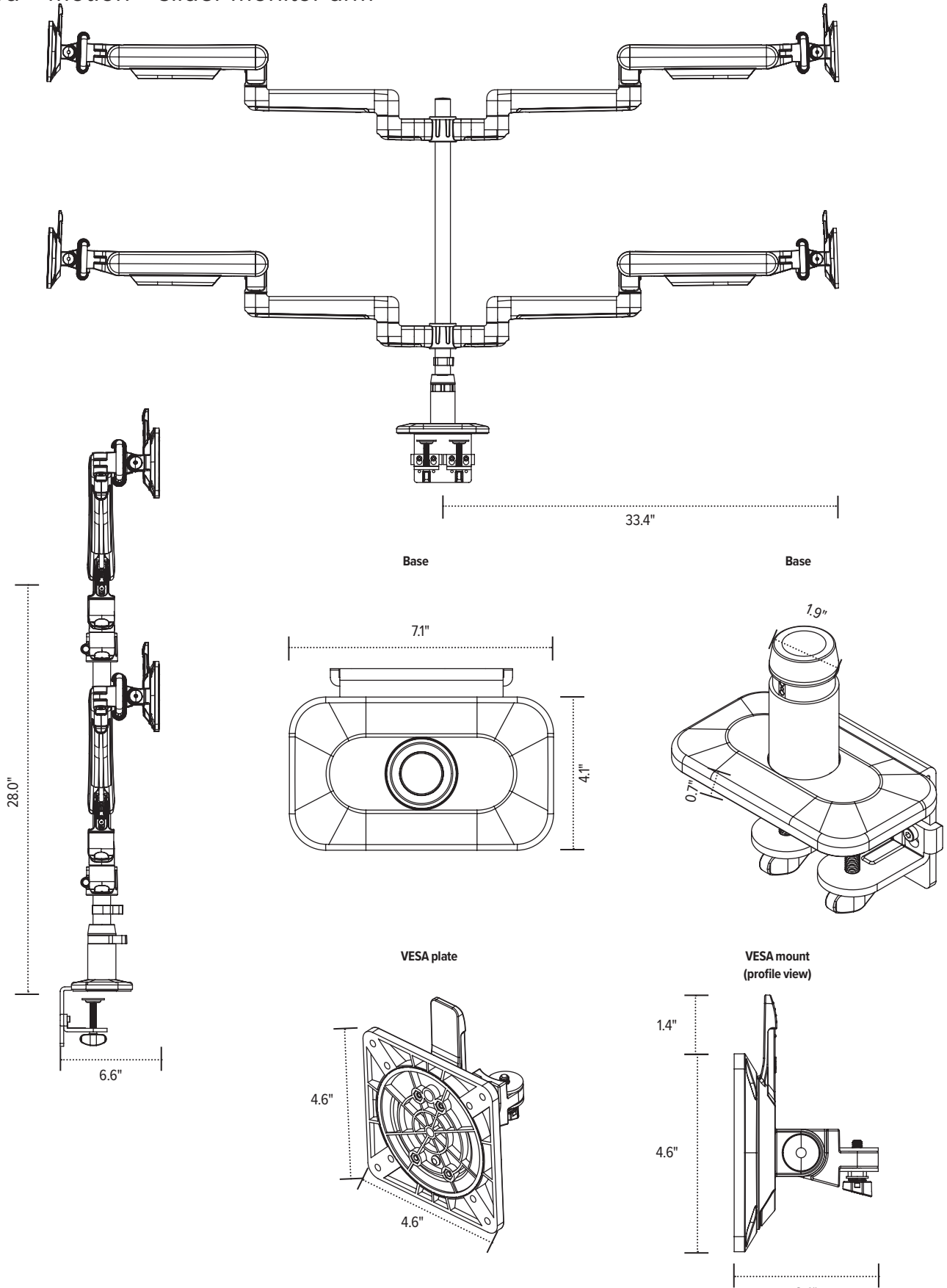
KataEX for every need

- As workstation needs change, so can the KataEX configurations. Additional components sold separately
- Benching system mount(s) available

Call our Customer Service Department for compatibility and pricing for custom configurations.

KataEX4-FMS

Quad fixed + motion + slider monitor arm



KataEX4-MS

Quad motion + slider monitor arm



tension adjustment



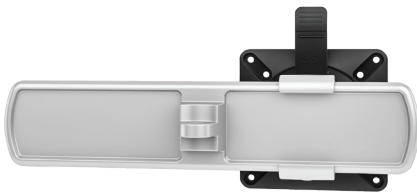
integrated tool storage



grommet mount



desk clamp



slider mount



connection sleeve

Product specs

- Finger touch dynamic height adjustment
- Recommended for worksurfaces 30.0" deep or less
- 23.0" arm extension
- 6.6" arm retraction
- +90°/-45° monitor tilt
- ±90° VESA rotation
- 2.5 lb.–18.5 lb. weight capacity (*per arm*)
- 28.0" pole height (*includes base*)
- VESA 75mm/100mm quick release
- 180° lock-out feature
- Desk clamp mount only
- Slider provide 9.5" of additional horizontal adjustability
- Tension adjustment indicator for precision installation
- Each connection sleeve can accommodate up to three monitors depending on the configuration
- Partially assembled for quick installation
- Integrated cord management
- Integrated tool holder
- Meets or exceeds ANSI/BIFMA x5.5 guidelines
- 32.0" max. monitor width
Bezel measured left to right.
Max. width is contingent on weight capacity.
Note: monitor height/weight might limit size
- Designed for ESI by Roger Webb Associates of London
- Warranty: 15 yr.

Model

- KATAEX4-DC-MS-SLV
- KATAEX4-DC-MS-BLK
- KATAEX4-DC-MS-WHT

KataEX monitor arm key

- F - Fixed monitor arm
- M - Motion monitor arm
- S - Slider mount

Available mounting options

- DC - Desk clamp
- GM - Grommet mount

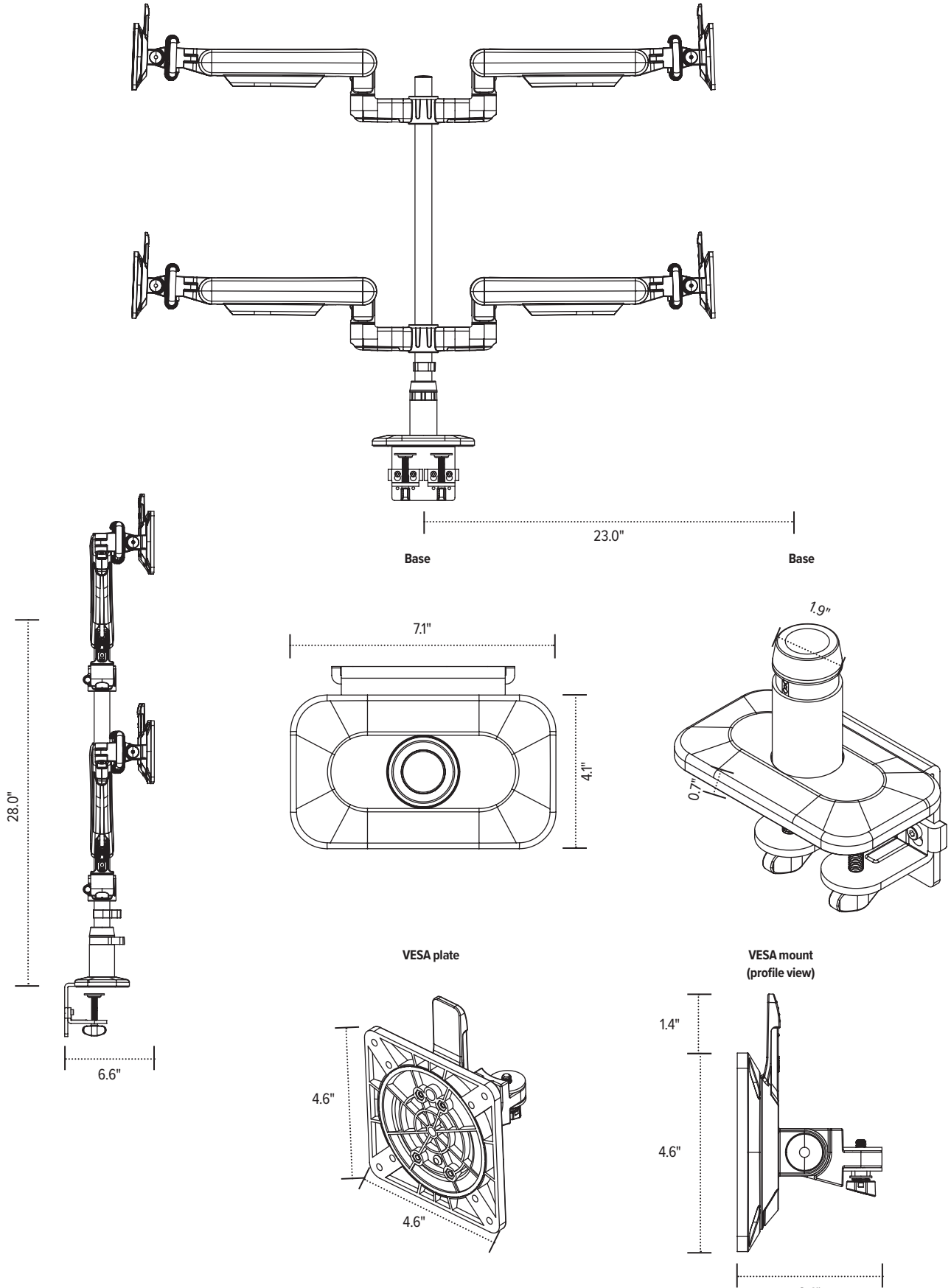
KataEX for every need

- As workstation needs change, so can the KataEX configurations. Additional components sold separately
- Benching system mount(s) available

Call our Customer Service Department for compatibility and pricing for custom configurations.

KataEX4-MS

Quad motion + slider monitor arm



KataEX6-FF

Six fixed + fixed monitor arm



tension adjustment



integrated tool storage



grommet mount



desk clamp



connection sleeve

Product specs

- Manual height adjustment
- Recommended for worksurfaces 30.0" deep or less
- 24.77" outside arm extension
- 8.52" center arm extension
- 5.12" arm retraction
- +90°/-45° monitor tilt
- ±90° VESA rotation
- Up to 20.0 lb. weight capacity (*per arm*)
- 25.99" pole height (*includes base*)
- VESA 75mm/100mm quick release
- 180° lock-out feature
- Desk clamp mount only
- Tension adjustment indicator for precision installation
- Each connection sleeve can accommodate up to three monitors depending on the configuration
- Partially assembled for quick installation
- Integrated cord management
- Integrated tool holder
- Meets or exceeds ANSI/BIFMA x5.5 guidelines
- 26.14" max. monitor width
Bezel measured left to right.
Max. width is contingent on weight capacity.
Note: monitor height/weight might limit size
- Designed for ESI by Roger Webb Associates of London
- Warranty: 15 yr.

Model

- KATAEX6-DC-FF-SLV
- KATAEX6-DC-FF-BLK
- KATAEX6-DC-FF-WHT

KataEX monitor arm key

- F - Fixed monitor arm
- M - Motion monitor arm
- S - Slider mount

Available mounting options

- DC - Desk clamp
- GM - Grommet mount

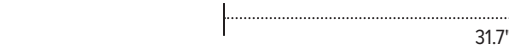
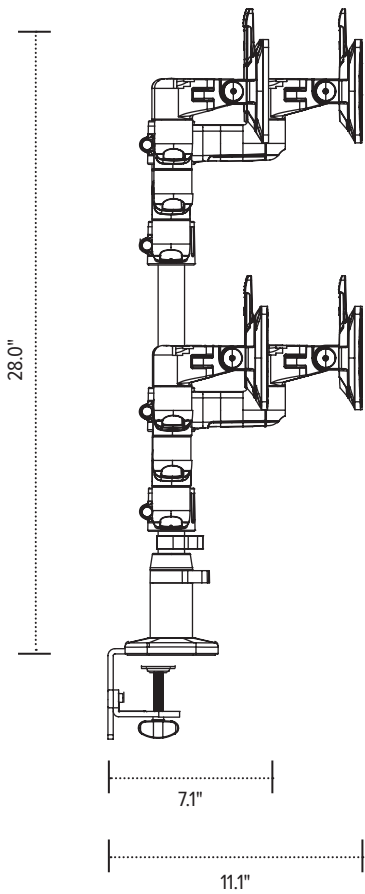
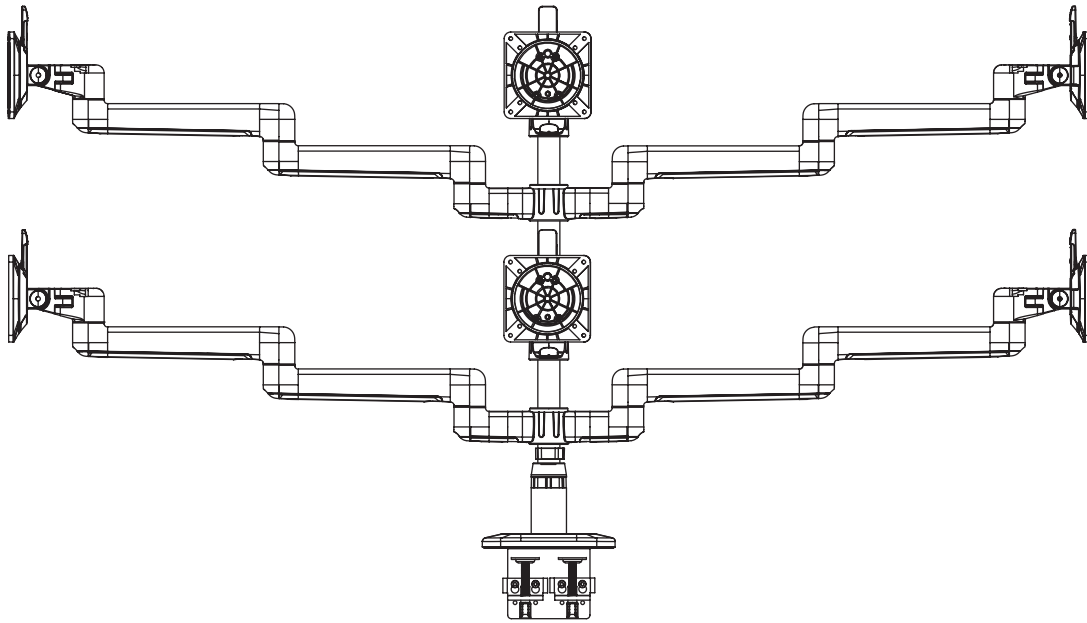
KataEX for every need

- As workstation needs change, so can the KataEX configurations. Additional components sold separately
- Benching system mount(s) available

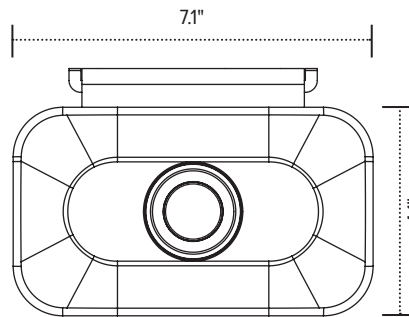
Call our Customer Service Department for compatibility and pricing for custom configurations.

KataEX6-FF

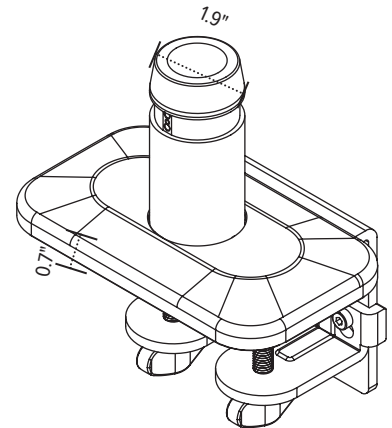
Six fixed + fixed monitor arm



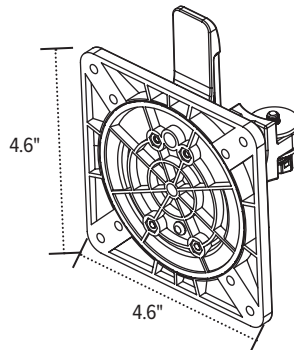
Base



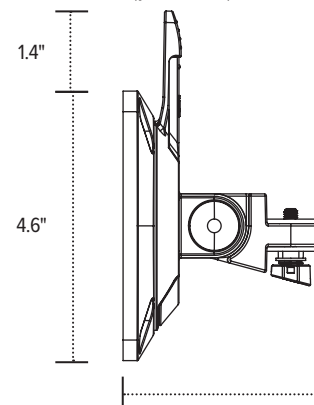
Base



VESA plate



VESA mount
(profile view)



KataEX6-FMS



Dix fixed + motion + slider monitor arm



tension adjustment



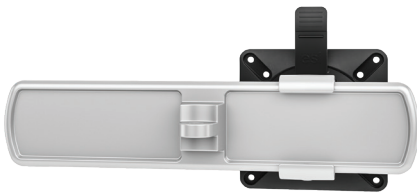
integrated tool storage



grommet mount



desk clamp



slider mount



connection sleeve

Product specs

- Finger touch dynamic height adjustment
- Recommended for worksurfaces 30.0" deep or less
- 26.32" outside arm extension
- 8.52" center arm extension
- 4.91" arm retraction
- +90°/-45° monitor tilt (*slider & standard mounts*)
- ±90° VESA rotation
- Up to 20.0 lb. weight capacity (*per center arm*)
- 2.5 lb.–18.5 lb. weight capacity (*per outside arm*)
- 25.99" pole height (*includes base*)
- VESA 75mm/100mm quick release
- 180° lock-out feature
- Desk clamp mount only
- Slider provide 9.5" of additional horizontal adjustability
- Tension adjustment indicator for precision installation
- Each connection sleeve can accommodate up to three monitors depending on the configuration
- Partially assembled for quick installation
- Integrated cord management
- Integrated tool holder
- Meets or exceeds ANSI/BIFMA x5.5 guidelines
- 26.63" max. monitor width
Bezel measured left to right.
Max. width is contingent on weight capacity.
Note: monitor height/weight might limit size
- Designed for ESI by Roger Webb Associates of London
- Warranty: 15 yr.

Model

- KATAEX6-DC-FMS-SLV
- KATAEX6-DC-FMS-BLK
- KATAEX6-DC-FMS-WHT

KataEX monitor arm key

- F - Fixed monitor arm
- M - Motion monitor arm
- S - Slider mount

Available mounting options

- DC - Desk clamp
- GM - Grommet mount

KataEX for every need

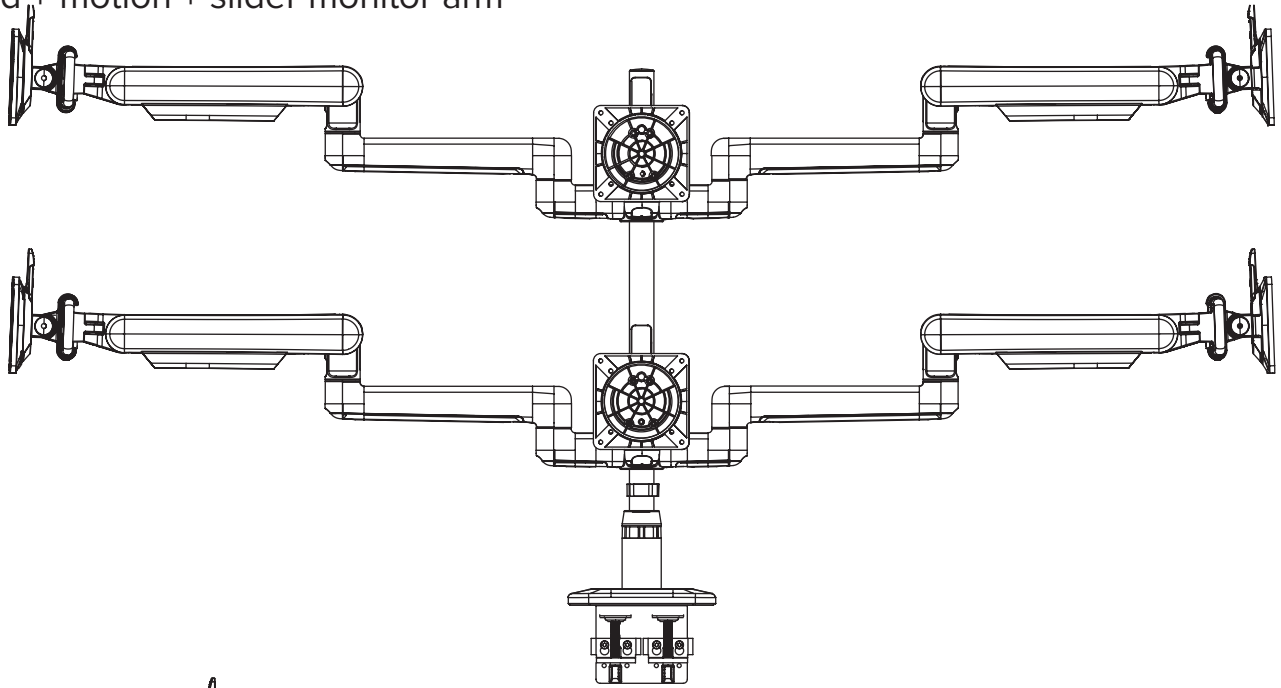
- As workstation needs change, so can the KataEX configurations. Additional components sold separately
- Benching system mount(s) available

Call our Customer Service Department for compatibility and pricing for custom configurations.

KataEX6-FMS



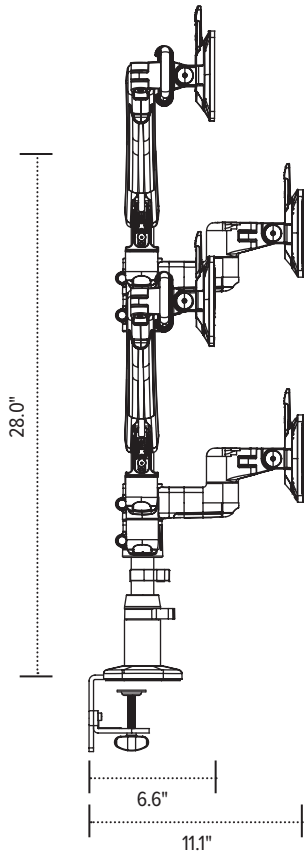
Dix fixed + motion + slider monitor arm



Base

Base

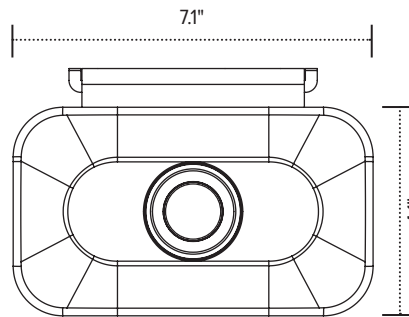
33.4"



28.0"

6.6"

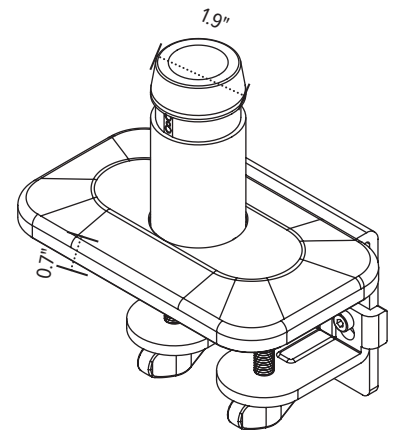
11.1"



VESA plate

7.1"

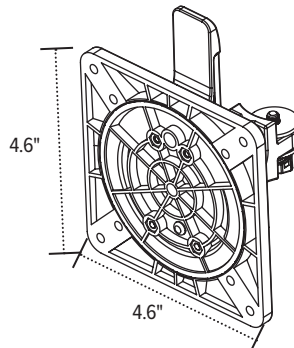
4.1"



VESA mount
(profile view)

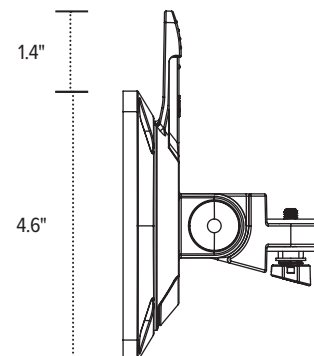
1.9"

0.7"



4.6"

4.6"



1.4"

4.6"

3.4"