

Number of monitors

ESI offers solutions for as few as one to as many as six monitors. Should the needs of the user change, the Evolve, SenaEX and KataEX series can easily be modified in the field to accommodate additional monitors and changing work environments.

Height adjustment

Monitor arms offer various types of height adjustability. The most user-friendly option is dynamic height adjustment which allows the user to adjust the monitor height quickly and easily with just the touch of a finger.

Weight of monitor(s)

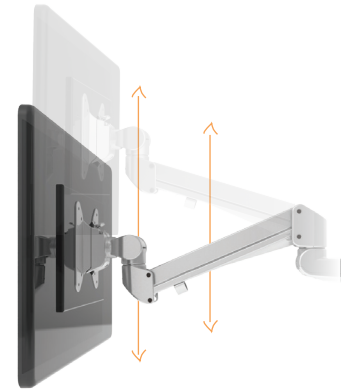
ESI's standard monitor arms in the Eppa, Edge, and Evolve series support the average monitor weights between 6 to 17 pounds. For heavier monitors, the Edge-Max will support 17 to 42 pounds, the Kata and KataEX supports 4 to 20 pounds, and the Sena and SenaEX support 2-20 pounds. The weight of the monitor arms should also include any additional monitor accessories (i.e. cables or locks).

Size of monitor(s)

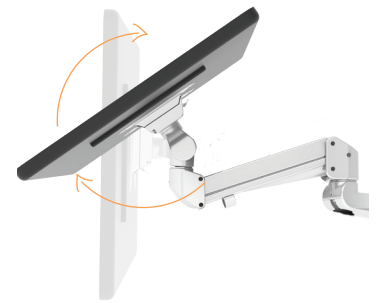
Most users prefer to have their monitors side-by-side as close as possible with no gaps between them. The versatility of ESI monitor arms allow multiple wide monitors to fit side-by-side. Max width is contingent on the monitor meeting the weight capacity of the arms. Configurations that include a slider will provide additional horizontal adjustability, allowing monitors of varying sizes to fit together seamlessly.

Size and shape of the worksurface

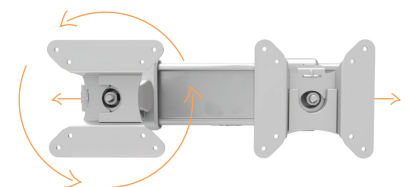
Shallow worksurface depths of 24 inches or less, are best suited for monitor arm configurations with fewer limbs. For applications that require extended reach, ESI recommends an Evolve, SenaEX or KataEX configuration with multiple limbs. When positioning two or more monitors side-by-side in a 90° corner, the maximum monitor size will be reduced. Please contact our Customer Service Department to discuss your specific applications and requirements.



Motion arms move your monitor straight up and down.



VESA mounts tilt up and down, providing a flat writing surface for touch screen monitors.



Sliders move your monitor left and right while retaining monitor tilt and $\pm 90^\circ$ monitor rotation.