

TITAN2-EDGE

Public Access Computer Station – Dual Track

Model TITAN2-EDGE

TITAN2-EDGE Rev A 6/17

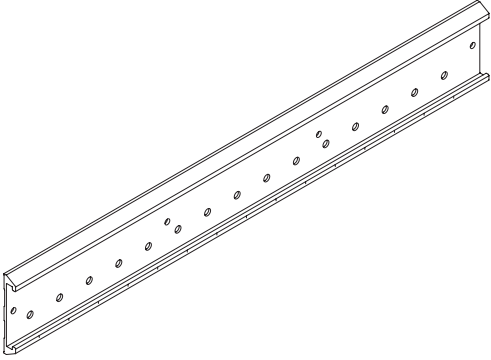
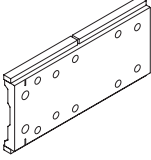
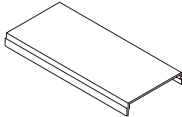
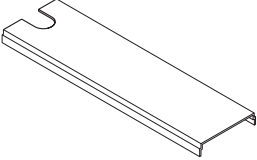
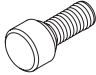
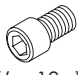
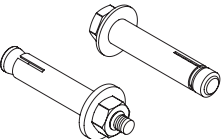


ASSEMBLY AND ADJUSTMENT

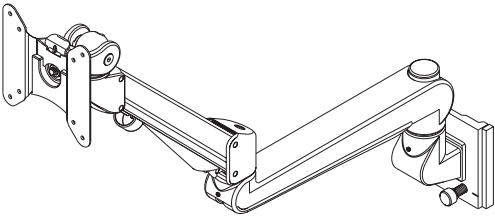

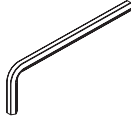
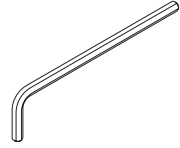



PLEASE REVIEW these instructions before beginning the assembly and adjustment procedures. Check that all the parts and tools listed below were provided with your order. Contact your supplier if any materials are missing. Do not discard the packaging until satisfied that the product operates to your satisfaction.

PARTS AND TOOLS PROVIDED

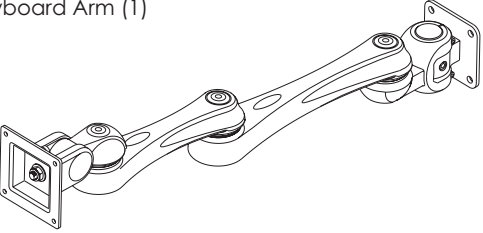
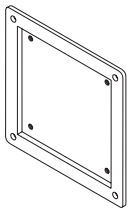
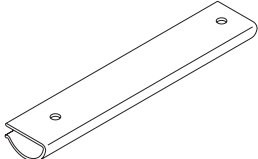
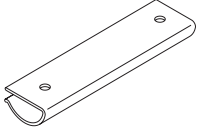


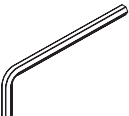
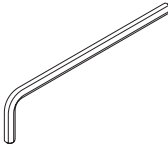
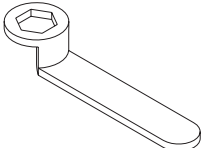
TRACK ASSEMBLY

Track (2) 	Slider Plate (2) 	Small Cover (2) 	Large Cover (2) 
	Slider Bolt (2) 	Socket Head Screw (8)  5/16x18x1/2	Expansion Bolts (4 each) 

MONITOR ARM ASSEMBLY

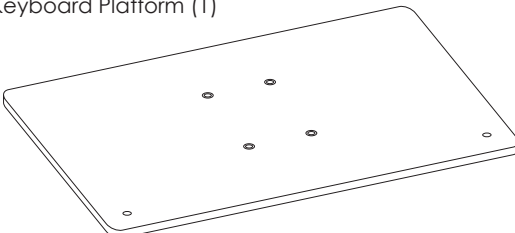
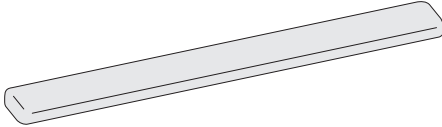
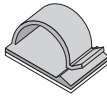


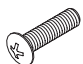
Monitor Arm with Slider Plate (1) 	2mm Allen Key (1) 	4mm Allen Key (1) 	5mm Allen Key (1) 
Hex Head Screw (4)  M4x10	VESA Locking Screw (1)  M4x10	Set Screw (1)  M4x4	

KEYBOARD ARM ASSEMBLY

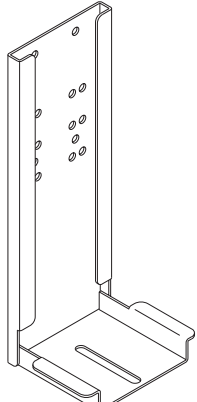
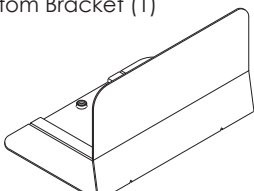
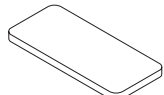
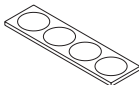
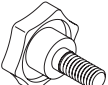


Keyboard Arm (1) 	Mounting Plate (1) 	Long Cord Clip (1) 	Short Cord Clip (1) 
Hex Head Screw (8)  M4x10	Flat Head Screw (4)  M3x6	4mm Allen Key (1) 	5mm Allen Key (1) 
			13mm Wrench (1) 

CAUTION: Hand-tighten screws only.

KEYBOARD PLATFORM ASSEMBLY

<p>Keyboard Platform (1)</p> 	<p>Palm Rest (1)</p> 	<p>Cord Clip (2)</p> 	
<p>Flathead Screw (4)</p>  <p>#8-32x1/2</p>	<p>Flange Nut (4)</p>  <p>#8x32</p>	<p>Panhead Screw (2)</p>  <p>#8-32x5/8</p>	<p>CAUTION: Hand-tighten screws on keyboard tray and palm rest only.</p>

CPU HOLDER ASSEMBLY

<p>CPU Holder (1)</p> 	<p>Bottom Bracket (1)</p> 	<p>Large Foam Pad (4)</p> 	<p>Small Foam Pad (1 Set)</p> 
	<p>Knob (1)</p> 	<p>Spacer (1)</p> 	<p>Washer (4)</p> 

ADDITIONAL TOOLS REQUIRED

- Phillips screwdriver
- 6mm Allen key
- Power drill with assorted bits.

Attach Top Track to Wall

Determine Fasteners

- In most installations, wood screws mounted into studs are the best fastening option. Expansion bolts are provided for attaching the track to concrete or brick walls, but these are not the best choice because the nut-type expansion bolts may interfere with the positioning of track components. Here is a summary of fastener choices:

- Wood: Use #12 wood screws mounted into studs. (Not included)
- Metal: Use #12 self-tapping screws. (Not included)
- Drywall (not recommended): Use toggle bolts. (Not included)
- Concrete or brick: Use expansion bolts (hex-head, sleeve-type recommended).

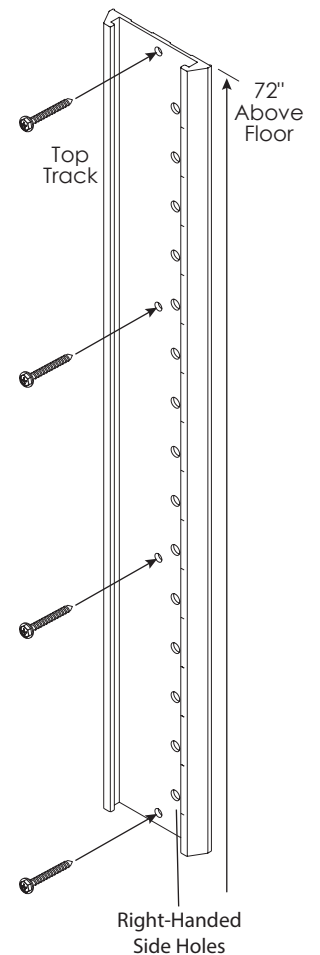
CAUTION: Whichever fasteners you use, do not over-torque the screws or bolts. Over-torquing may bend the track.

Position Top Track

- Position the top of the track 72" (183cm) above the floor. When the remaining steps in these instructions are followed, this will put the keyboard at a height of about 42".
- The 15 holes along the side of the track must be on the right.
- Use a level to ensure that the track is plumb.
- Mark the location of the four center holes along the track.

Attach Top Track

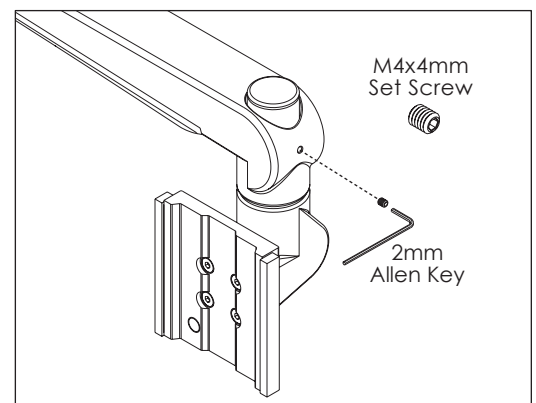
- Drill the correct diameter pilot holes at the marked locations.
- Attach the track using the appropriate four fasteners. Double-check that the track is plumb.



Attach Monitor to Track

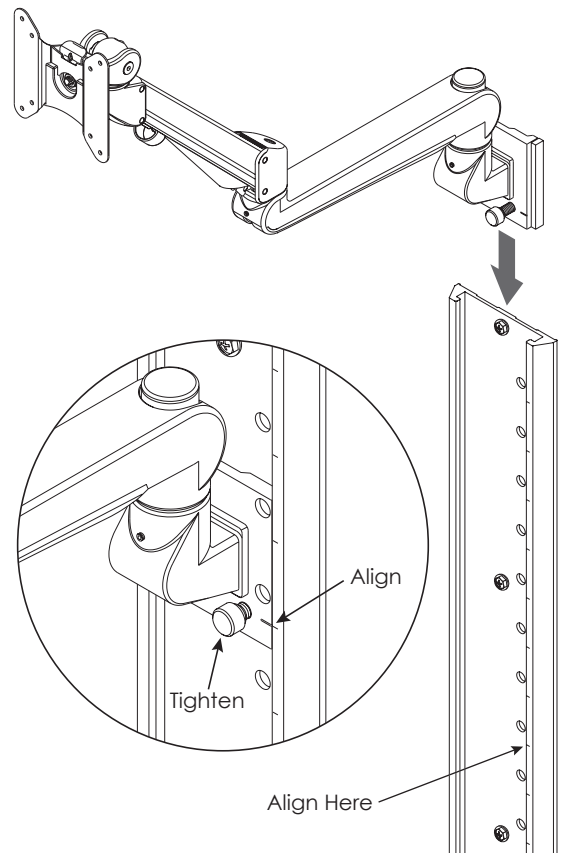
Install Set Screw

- Install the M4x4mm set screw at the rear of the fixed arm, which is the arm that remains at a fixed level.
- The tightness of the screw determines how easily the fixed arm swivels. The screw may be adjusted now or at any time after installation.



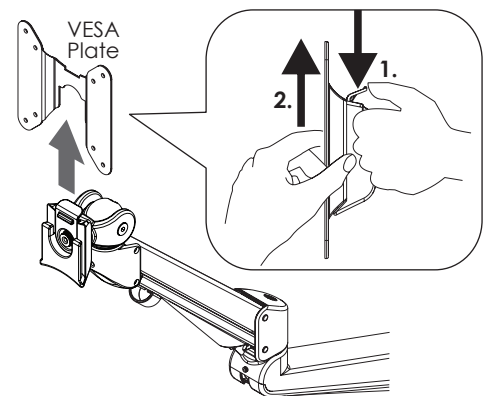
Attach Monitor Arm

- Slide the base of the monitor arm onto the top of the track.
- Align the scribed line on the monitor base with the line on the track.
- Secure the monitor arm in position by tightening the slider bolt on the base.



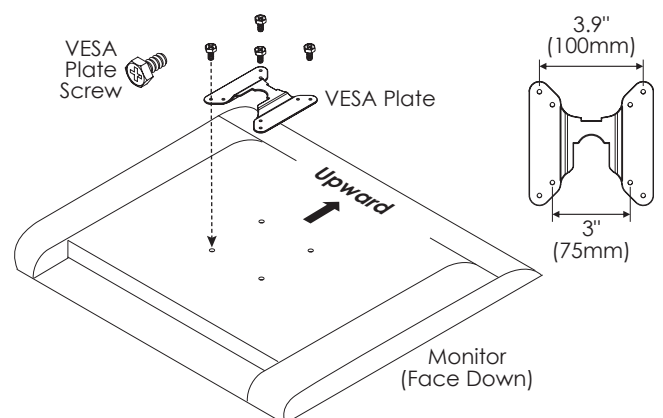
Remove VESA Plate

- Remove the VESA plate from the VESA mount by pressing down on the plastic tab to release the lock and pulling the plate upward to remove the plate.



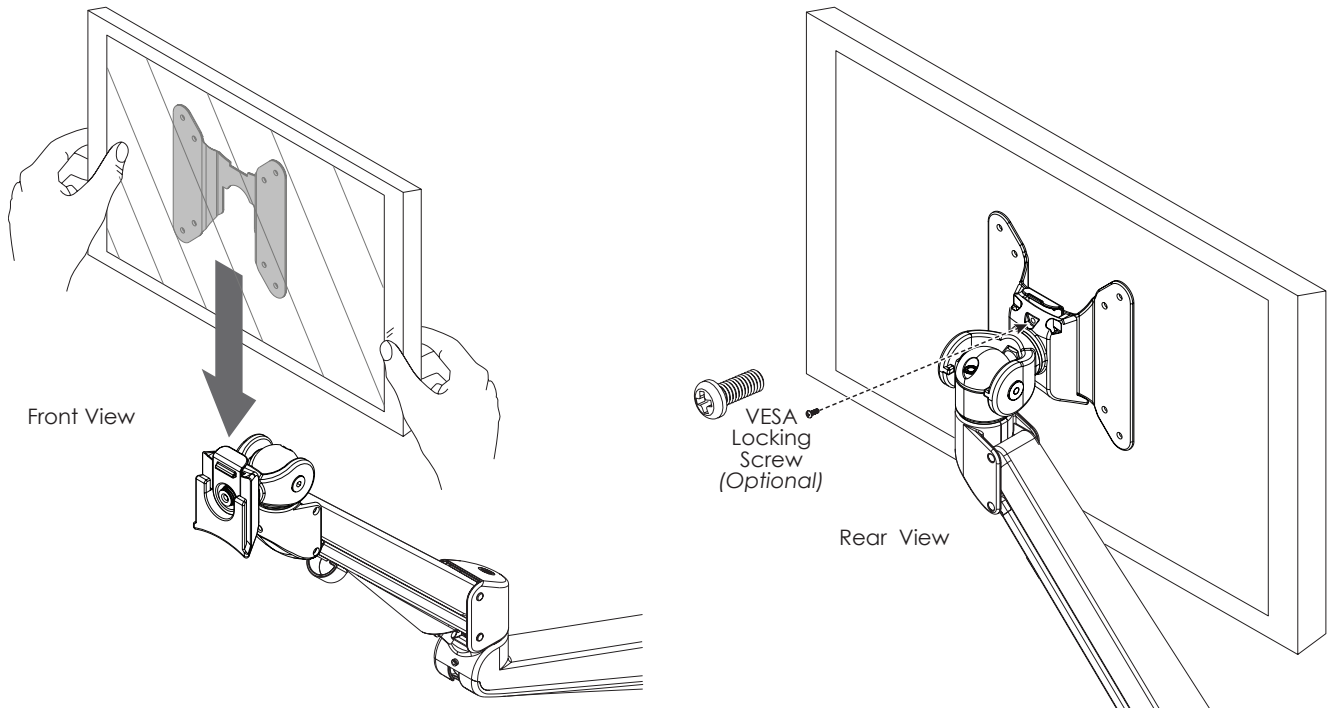
Attach VESA Plate to Monitor

- Place the LCD monitor face down on a clean, soft, flat surface. Align the VESA plate holes with the holes on the back of the monitor.
- Attach the VESA plate using the four VESA plate screws provided.
 - There are two sets of four holes on each VESA plate. One set has holes 3.9" (100mm) apart, the other set has holes 3" (75mm) apart. Use the set that matches the holes on the monitor.



Attach Monitor to VESA Mount

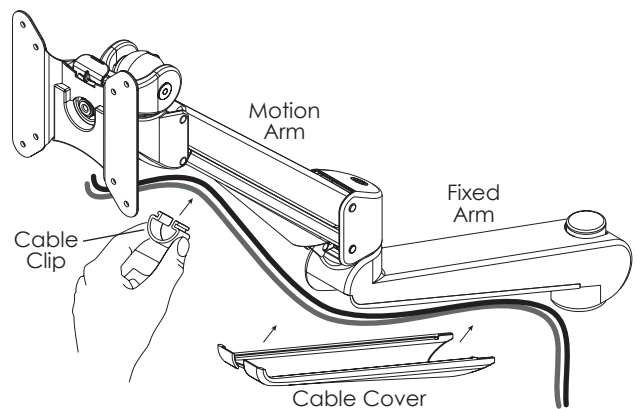
- Slide the VESA plate with monitor attached onto the VESA mount. Make sure the VESA plate clicks securely in place.
- **Optional:** Install the VESA locking screw behind the VESA plate to prevent the tab on the VESA plate from releasing the monitor.



Organize Monitor Cables

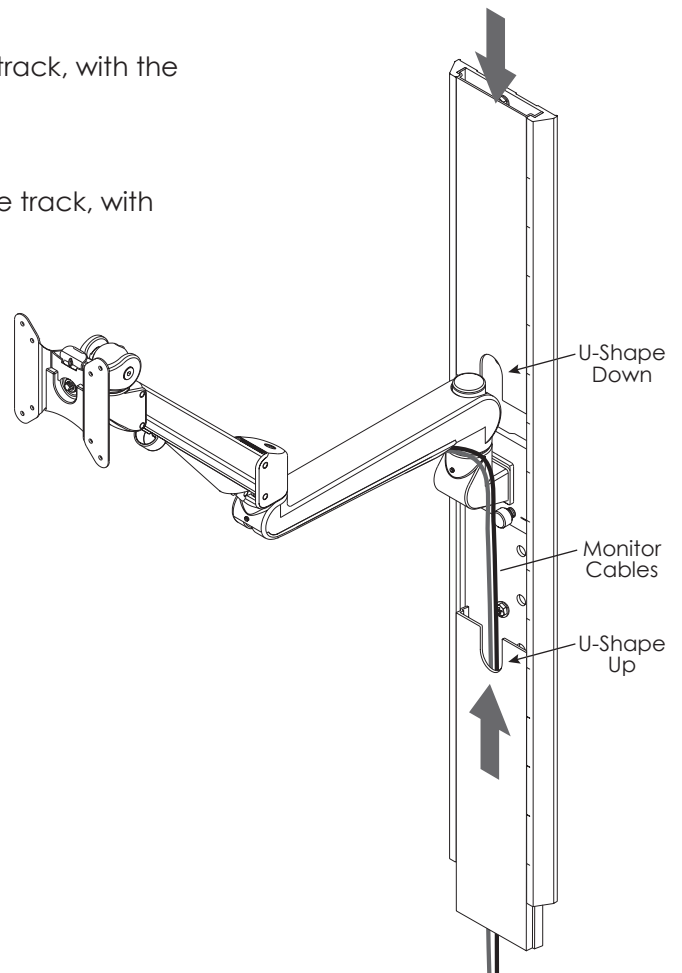
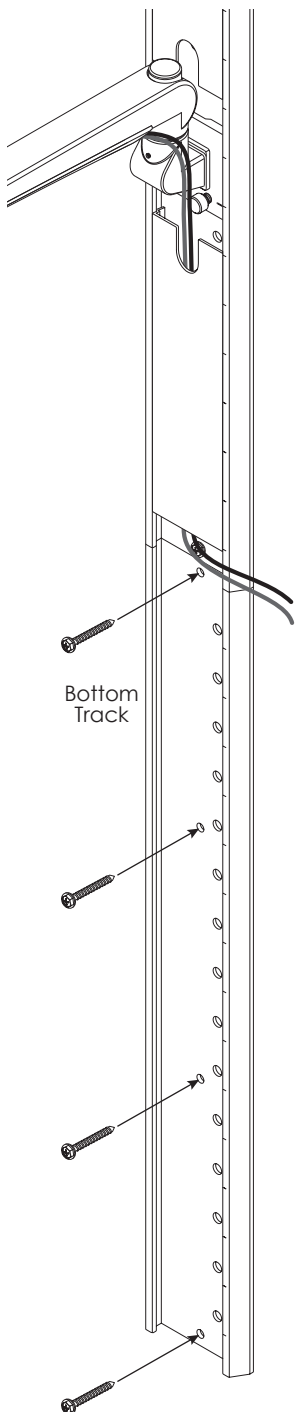
Use Cable Clip and Cable Cover

- Pinch the cable clip to remove it from the motion arm and again when re-installing it with the cables captured.
- Slide the cable cover out from the fixed arm. Slide it back in with the cables captured.



Install Top Track Covers

- Insert one of the large track covers into the top of the track, with the U-shaped opening at the bottom.
 - Align the top of the cover with the top of the track.
- Insert the other large track cover into the bottom of the track, with the U-shaped opening at the top.
 - Ensure the monitor cables are behind the track cover during install.



Attach Bottom Track to Wall

- Abut the bottom track to the top track. As with the top track, be sure the 15 holes along the side of the track are on the right.
- After using a level to make sure that the track is plumb, mark the location of the four center holes.
- Drill the correct diameter pilot holes at the marked locations.
- Attach the track using the appropriate four fasteners. Check again that both the top and bottom tracks are plumb.

Install First Slider Plate

- Insert the slider plate into the bottom of the track. As with the large track cover above it, capture the monitor cables under the slider plate.
- Align the scribed line on the slider plate with the 4th scribe on the track.
- Secure the slider plate with the slider bolt.

NOTE: The slider plate may be installed with the scribed lines and slider bolt at the top or bottom, depending on which works best for the installation. In this diagram scribed lines are at the bottom. →

Install Small Track Covers

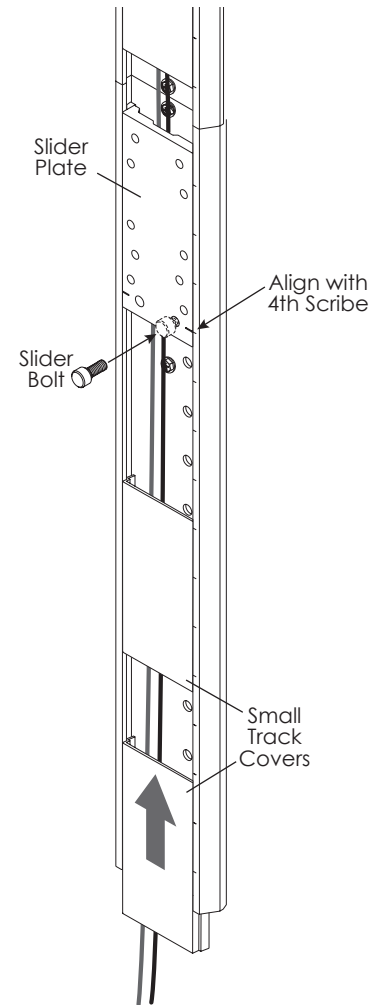
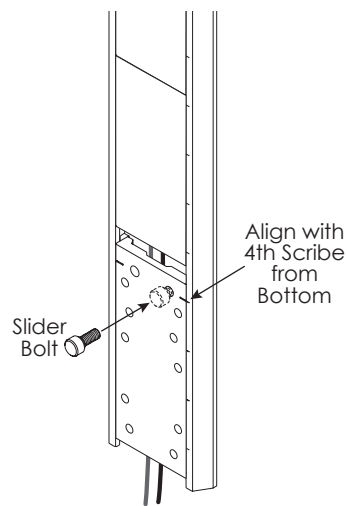
- Insert the small track covers into the bottom of the track, capturing the monitor cables as you install them.

Install Second Slider Plate

- Insert the second slider plate into the bottom of the track, again capturing the monitor cables.

IMPORTANT: The second slider plate must be installed with the scribed lines and slider bolt at the top in order to install the CPU holder (see page 10). →

- Align the scribed line on the slider plate with the 4th scribe from the bottom.
- Secure the slider plate with the slider bolt.



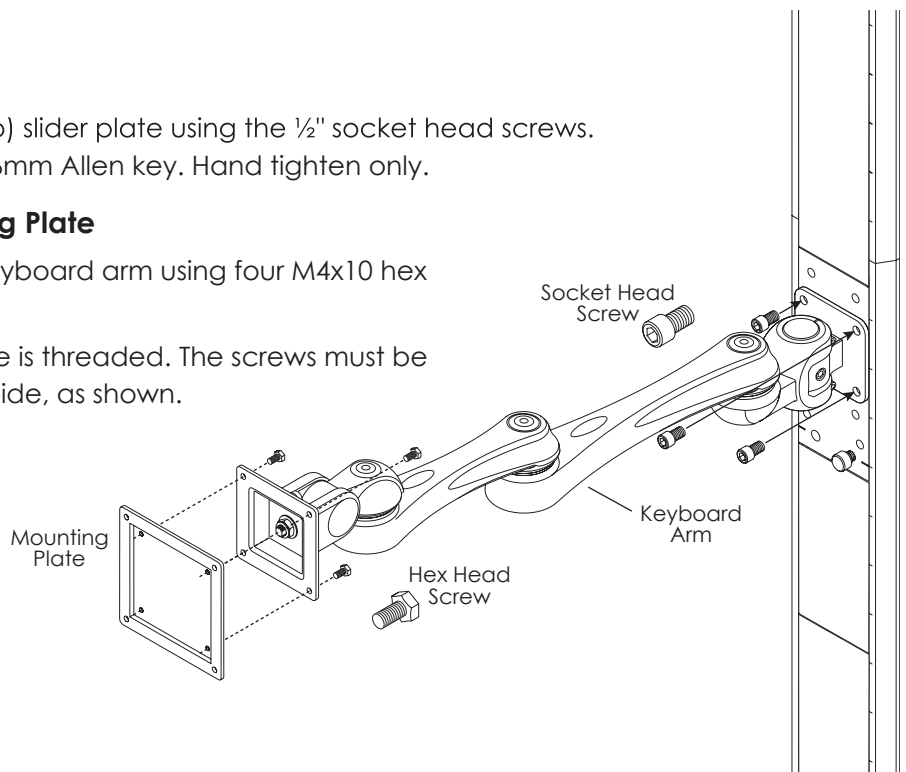
Attach Keyboard Platform to Track

Install Keyboard Arm

- Attach the keyboard arm to the (top) slider plate using the ½" socket head screws. Tighten the screws securely using a 6mm Allen key. Hand tighten only.

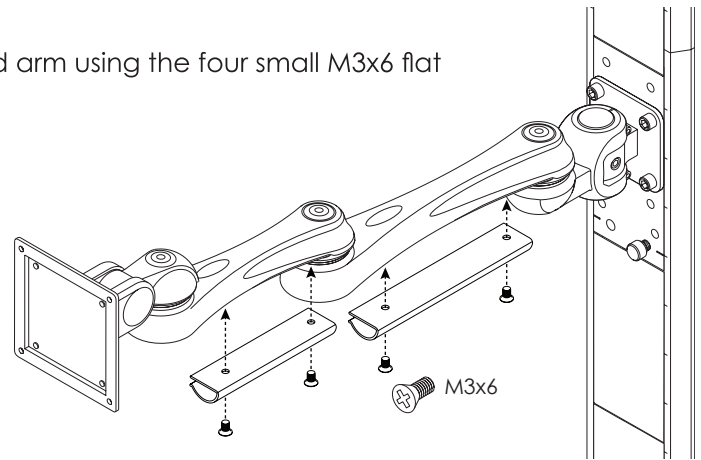
Attach Keyboard Platform Mounting Plate

- Attach the mounting plate to the keyboard arm using four M4x10 hex head screws.
 - Note that only the mounting plate is threaded. The screws must be installed from the keyboard arm side, as shown.



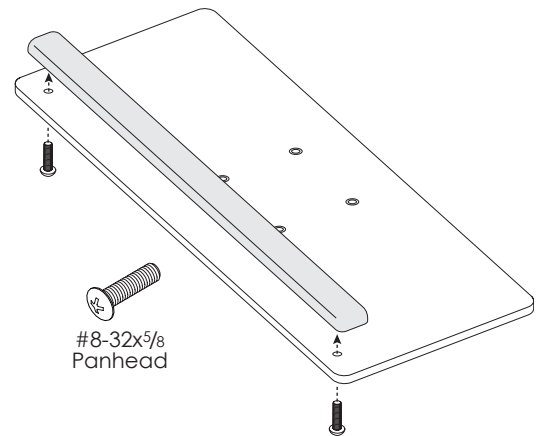
Attach Keyboard Arm Cord Clips

- Attach the short and long cord clips to the keyboard arm using the four small M3x6 flat head screws. Hand tighten only.



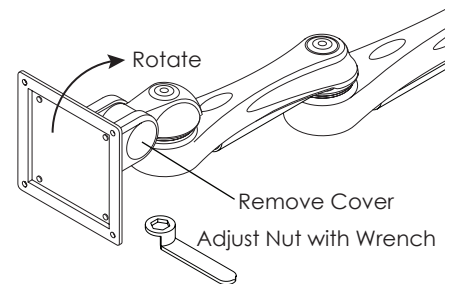
Attach Palm Rest to Keyboard Platform

- Attach the palm rest with the two #8-32x5/8 panhead screws and a Phillips screwdriver. Hand tighten only.



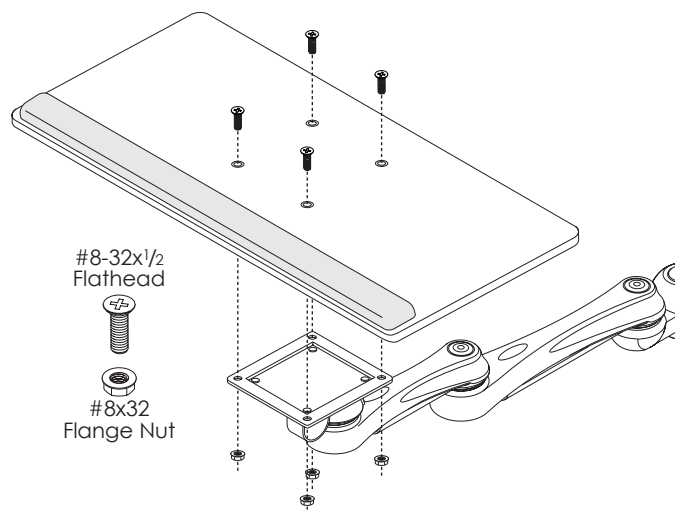
Attach Keyboard Platform

- Rotate the keyboard platform mounting plate upwards to mount the keyboard platform.
 - Remove the cover and loosen the nut with the provided wrench if necessary. Then tighten the nut and replace the cover.
- Attach the keyboard platform to the mounting plate using the four #8-32x1/2 Phillips flathead screws and flange nuts.
 - Be sure the flange on the nuts is facing upward.



IMPORTANT: The flange nuts must be snugly tightened to ensure the nuts are locked.

- Position the keyboard and mouse on the platform and route the cords through the keyboard arm cord clips.



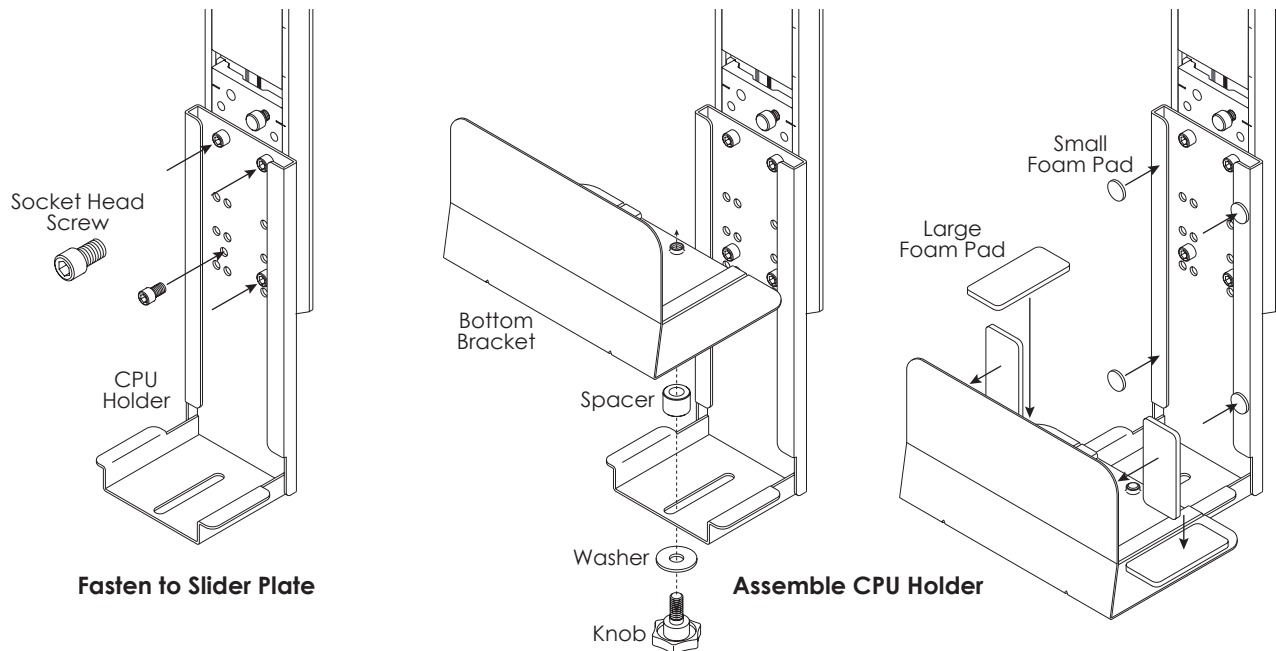
Attach CPU Holder to Track

Fasten to Slider Plate

- Attach the CPU holder to the bottom slider plate using the ½" socket head screws. Tighten the screws securely using a 6mm Allen key. (Not included)

Assemble CPU Holder

- Attach the bottom bracket to the CPU holder using the knob, washer, and spacer. Refer to the illustration below.
- Peel the backing from the small and large foam pads and attach them to the assembly in the positions shown.
- Adjust the width to fit the CPU, then tighten the knob to secure the bottom bracket in place.



Make Any Necessary Adjustments

In addition to the keyboard platform rotation adjustment just described, there are several other adjustments that can be made to the keyboard arm (see illustration on following page).

Keyboard Arm Swivel Adjustments

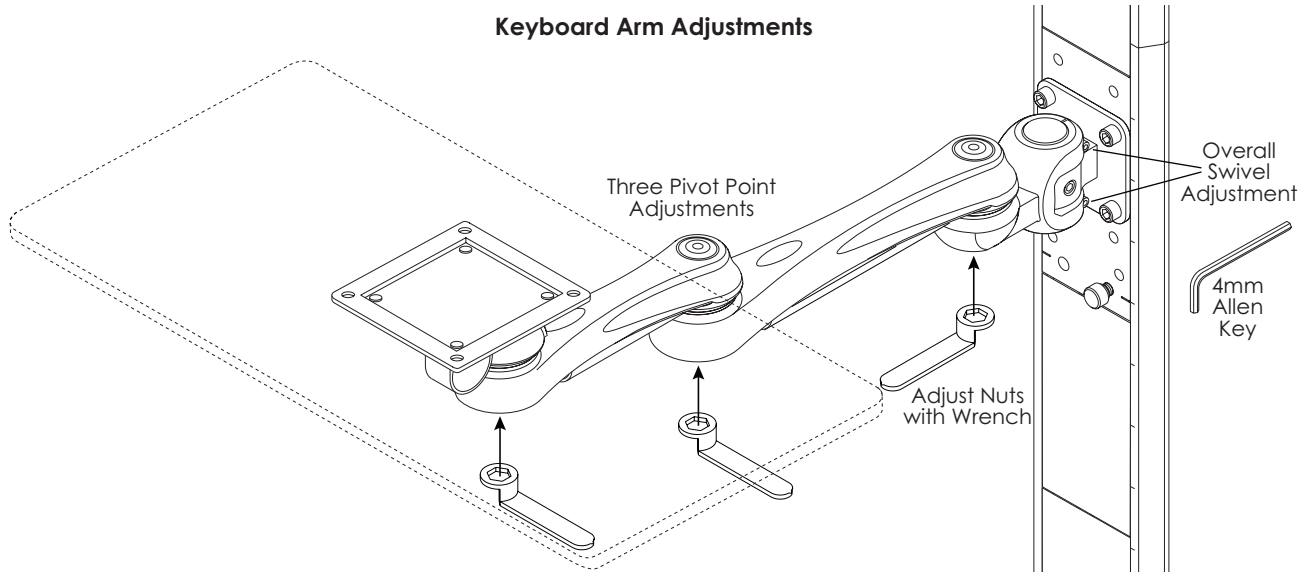
Each individual arm segment swivels for maximum adjustability.

- If any swivel point is too loose or too tight, the nut on the underside of the pivot point may be loosened or tightened with the provided wrench.

Overall Keyboard Arm Swivel Adjustment

There is also an overall keyboard arm swivel adjustment near where the keyboard arm is attached to the track, as shown in the illustration.

- To make this adjustment, loosen the two socket head screws using the 4mm Allen key.



Monitor Arm Adjustments

There are three possible swivel and tilt tension adjustments for the monitor arm:

1. Monitor tilt adjustment

— Use the 4mm Allen key to adjust the set screw for the appropriate monitor weight.

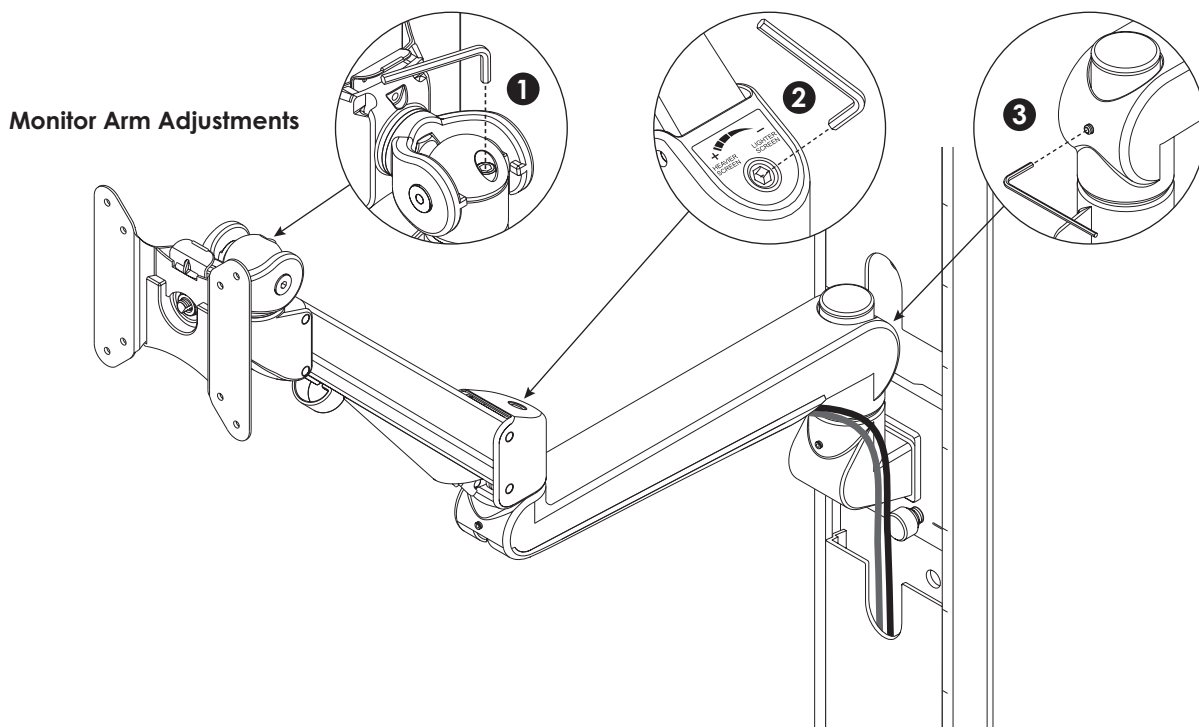
2. Monitor arm weight adjustment

— Use the 5mm Allen key to adjust the set screw for the appropriate monitor weight.

— Weight capacity is 5.5 lbs to 16.5 lbs (2.5 kg to 7.5 kg). Capacity may be reduced if monitor size is greater than 26" (66cm) or depth is greater than 2.17" (55mm).

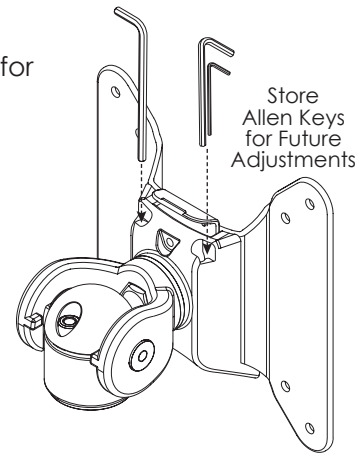
3. Fixed arm swivel adjustment

— Use the 2mm Allen key to adjust the set screw for the desired ease of fixed arm rotation.



Allen Key Storage

- Insert the Allen keys into the holes behind the VESA plate to store for future adjustment.
 - Insert the two smaller Allen keys into the same hole.



800.833.3746 esiergo.com