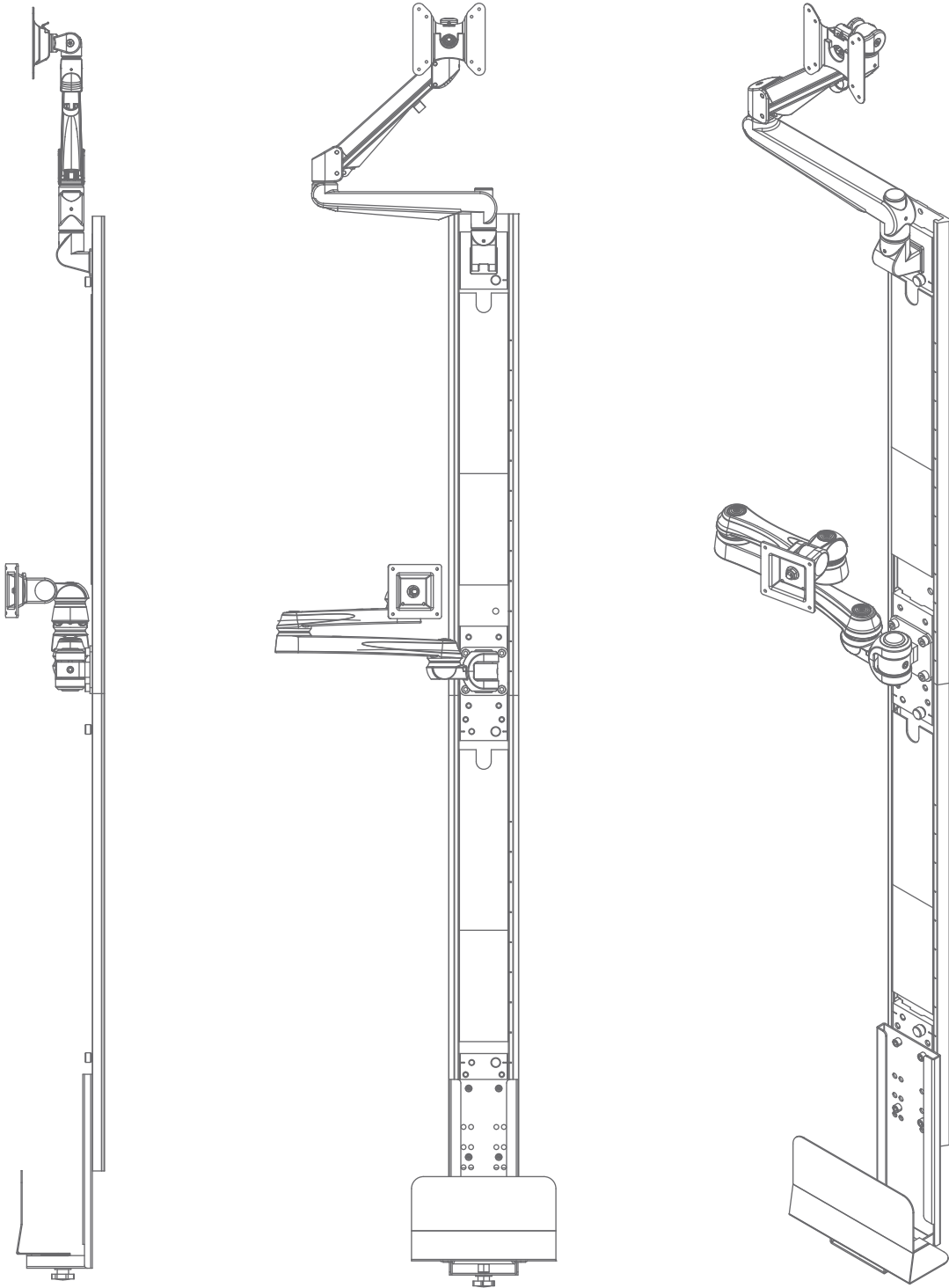


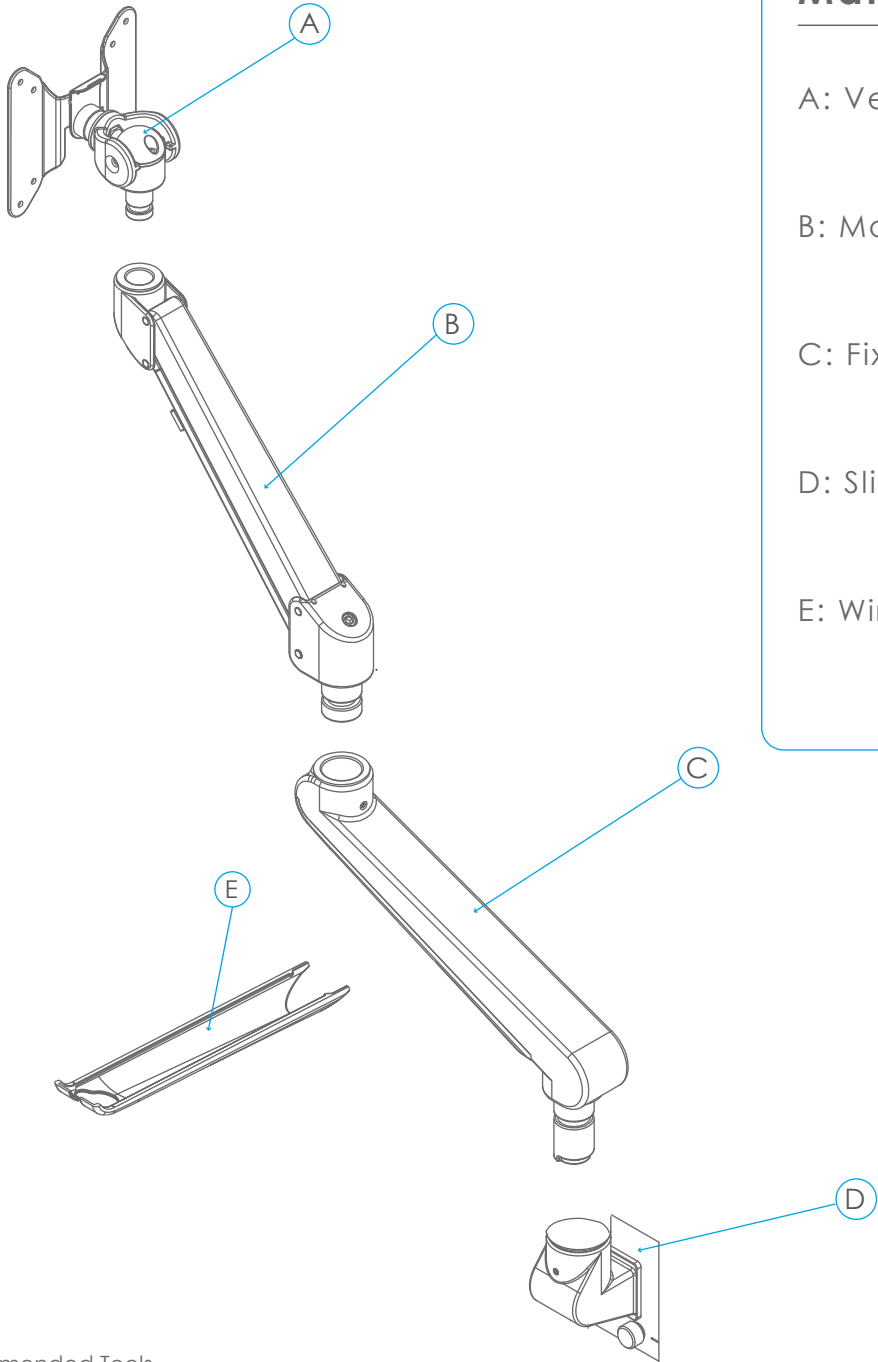
TITAN2-EDGE: Disassembly Instructions

TITAN2-EDGE Assembled



TITAN2-EDGE: Monitor Disassembly

TITAN2-EDGE Components for breakdown



Material Identification

- A: Vesa Plate
 - Steel 
- B: Motion Arm
 - Steel 
- C: Fixed Arm
 - Steel 
- D: Slider Plate
 - Steel 
- E: Wire Management Channel
 - Plastic

Recommended Tools



Gloves



Goggles



2mm Allen Wrench



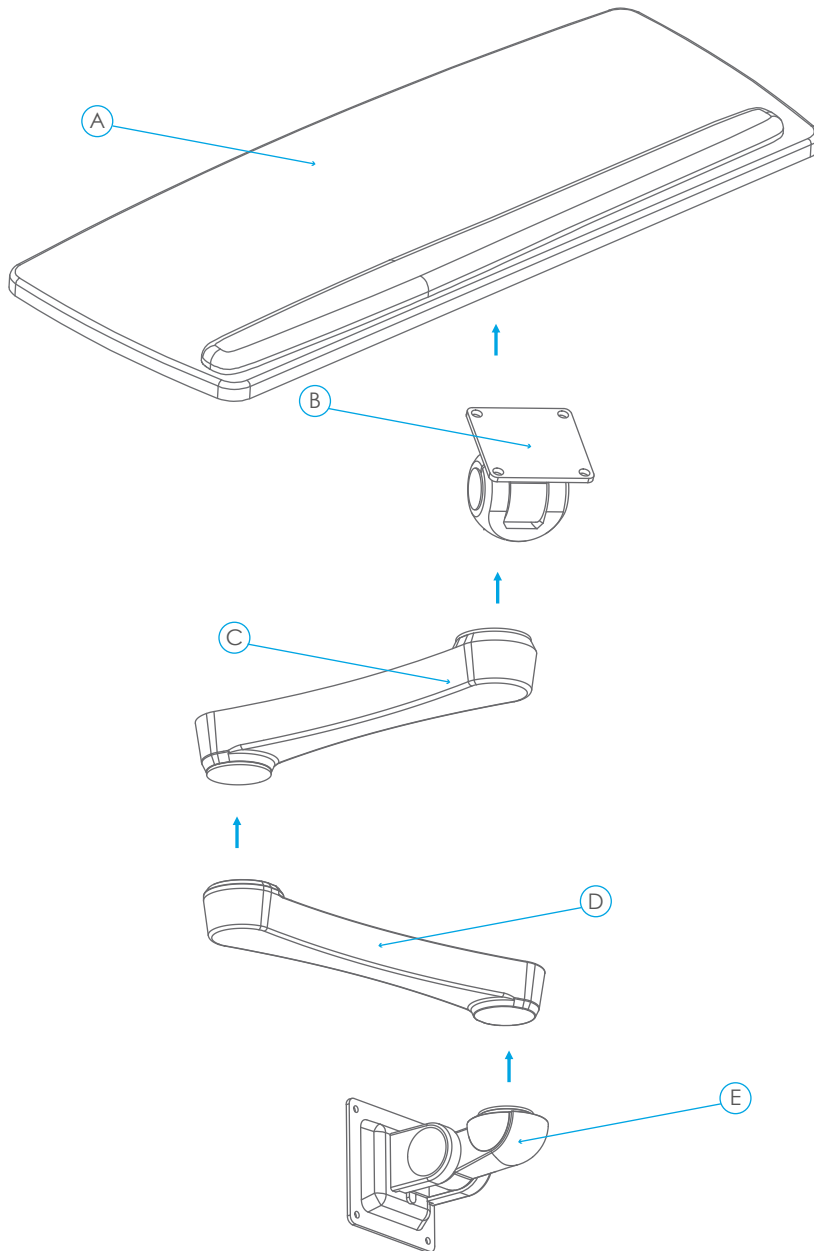
4mm Allen Wrench



T25 Screwdriver

TITAN2-EDGE: Keyboard Disassembly

TITAN2-EDGE Components for breakdown



Material Identification

A: Keyboard Platform

- Phenolic

B: VESA Mount Knuckle

- Phenolic

C: Long Limb

- Steel 

D: Short Limb

- Steel 

E: Slider

- Steel 

Recommended Tools



Gloves



Goggles



13mm Ratchet



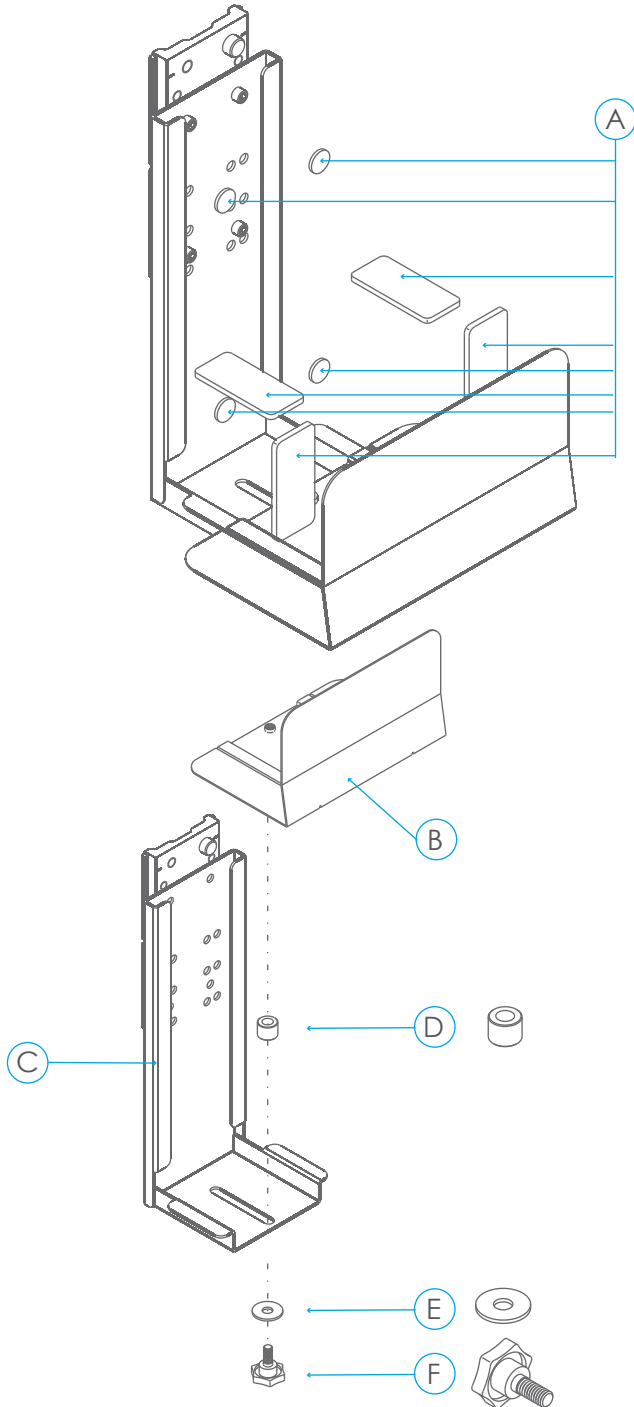
6mm Allen Wrench



#2 Phillips Screwdriver

TITAN2-EDGE: CPU Holder Disassembly

TITAN2-EDGE Components for breakdown



Material Identification

A: Non Skid Pads

- Foam

B: J Bracket 1

- Steel 

C: J Bracket 2

- Steel 

D: Sleeve

- Steel 

E: Washer

- Plastic

F: Knob

- Steel 

Recommended Tools



Gloves



Goggles



1/2" Wrench



4mm Allen Wrench

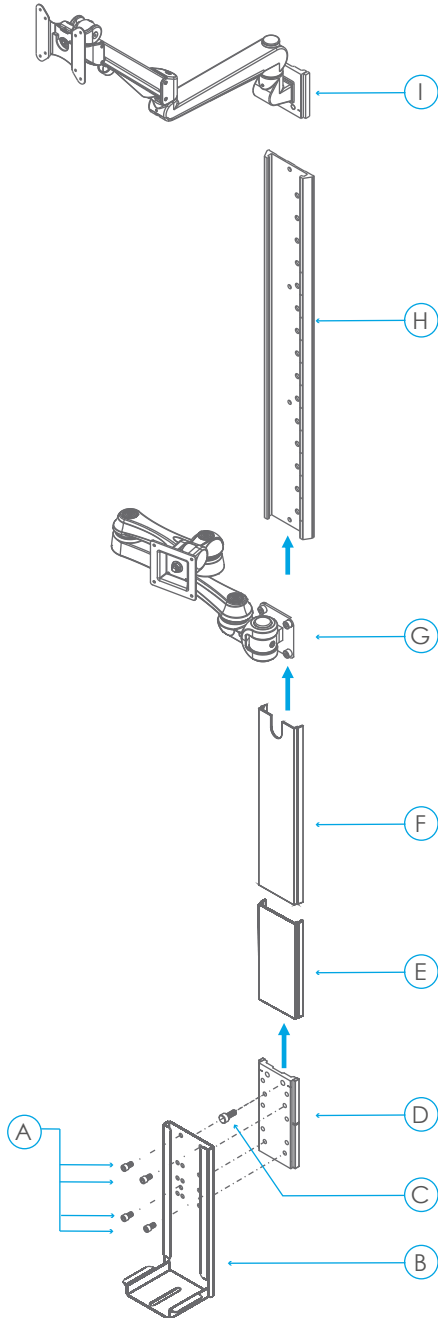


Phillips Head / Flathead Screwdriver



TITAN2-EDGE: Track Disassembly

TITAN2-EDGE Components for breakdown



Material Identification

A: Socket Head Screw

- Steel 

B: J Bracket

- Steel 

C: Bolt

- Steel 

D: Wall Track 1

- Steel 

E: Wall Track Cover 1

- Plastic

F: Wall Track Cover 2

- Plastic

G: Keyboard Slider

- Steel 

H: Wall Track 2

- Steel 

I: Monitor Arm Slider

- Steel 

Recommended Tools



Gloves



Goggles



Flathead Screwdriver