

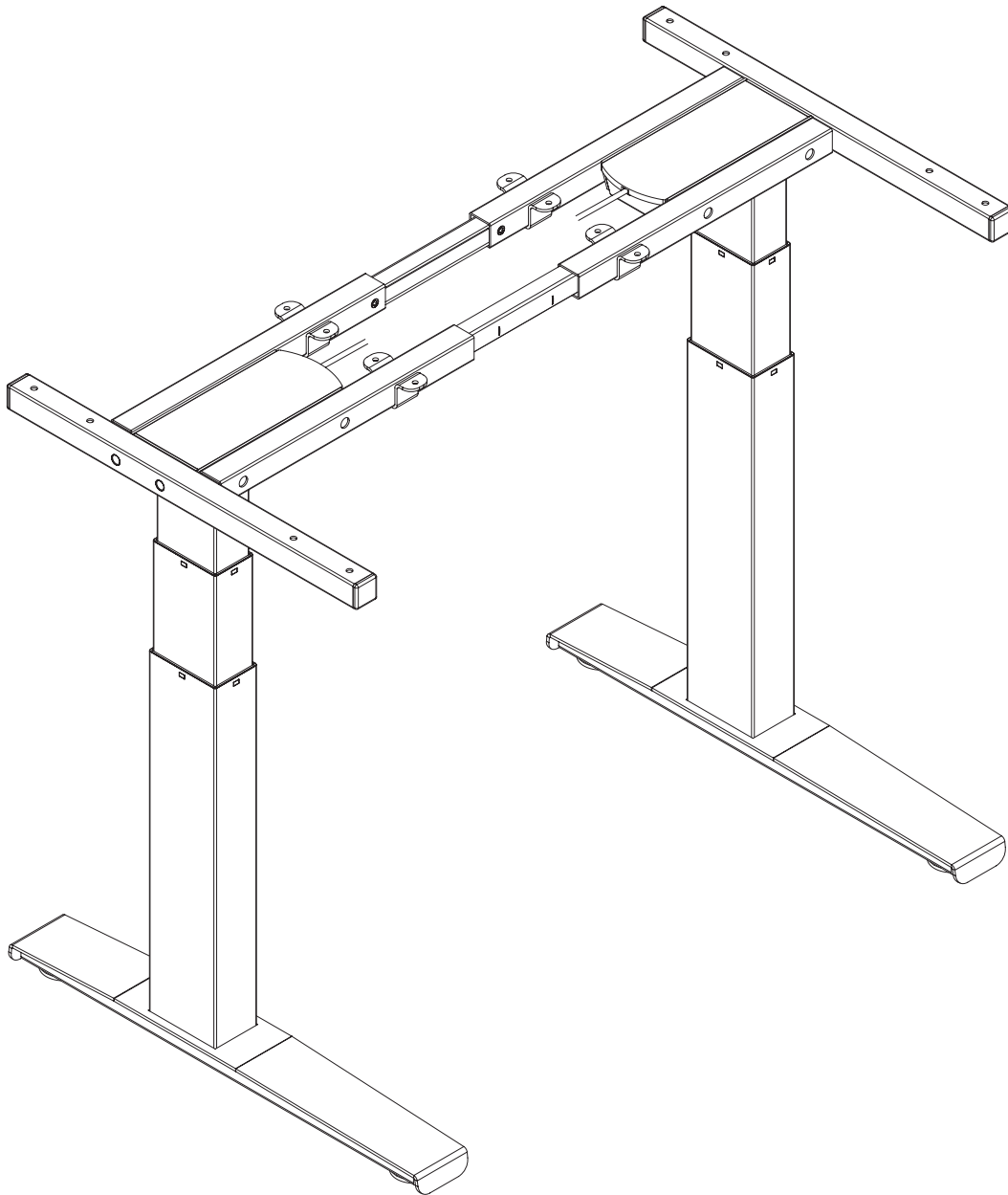
VICTORY-LX

2 LEG ELECTRIC TABLE BASE

Model 2VT-LX-C36-24-___
Model 2VT-LX-C36-30-___
Model 2VT-LX-C48-24-___
Model 2VT-LX-C48-30-___

2VT-LX Rev A 7/17

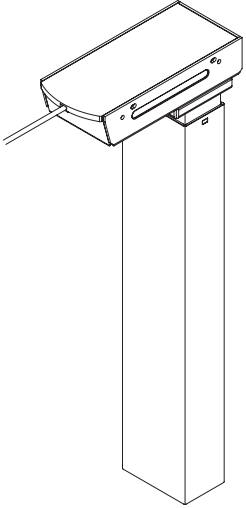
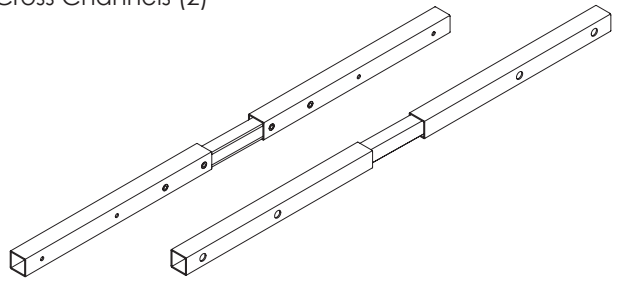
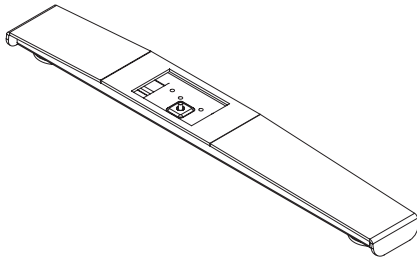
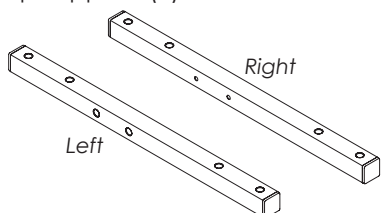
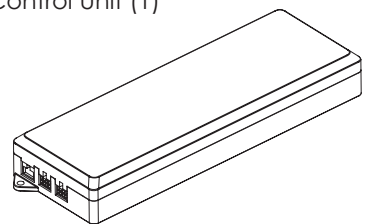
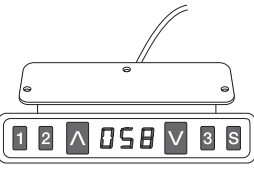
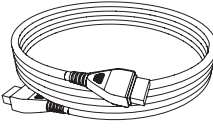
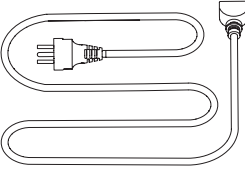
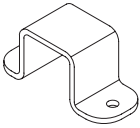
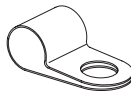
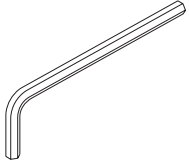


___ = SLV, BLK or WHT



ASSEMBLY AND OPERATION

PLEASE REVIEW these instructions before beginning the assembly procedures. Check that all the parts shown below were provided with your order. Contact your supplier if any materials are missing. Do not discard the packaging until satisfied that the product operates to your satisfaction.

PARTS PROVIDED

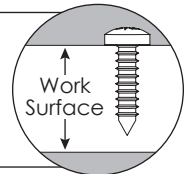
<p>Legs with Motor (2)</p> 	<p>Cross Channels (2)</p> 		<p>Feet (2)</p> 	
<p>Top Supports (2)</p> 		<p>Control Unit (1)</p> 	<p>Digital Keypad (1)</p> 	
<p>Motor Cable (2)</p> 	<p>Power Cable (1)</p> 	<p>U-Bracket (4)</p> 	<p>Cord Clip (10)</p> 	<p>5mm Allen Key (1)</p> 
<p>Fasteners</p>  <p>M6x18 (12) Socket Cap Round Point M6x15 (8) Socket Cap M6x20 (16) Round Head M3x20 (3) Round Head M5x15 (2) Round Head M3.5x16 (10) Flat Head</p> <p>Hole Cover (20)</p> 				

CAUTION: Hand-tighten screws only.

ADDITIONAL TOOLS REQUIRED

- Phillips screwdriver
- Power Drill (wood screws only)

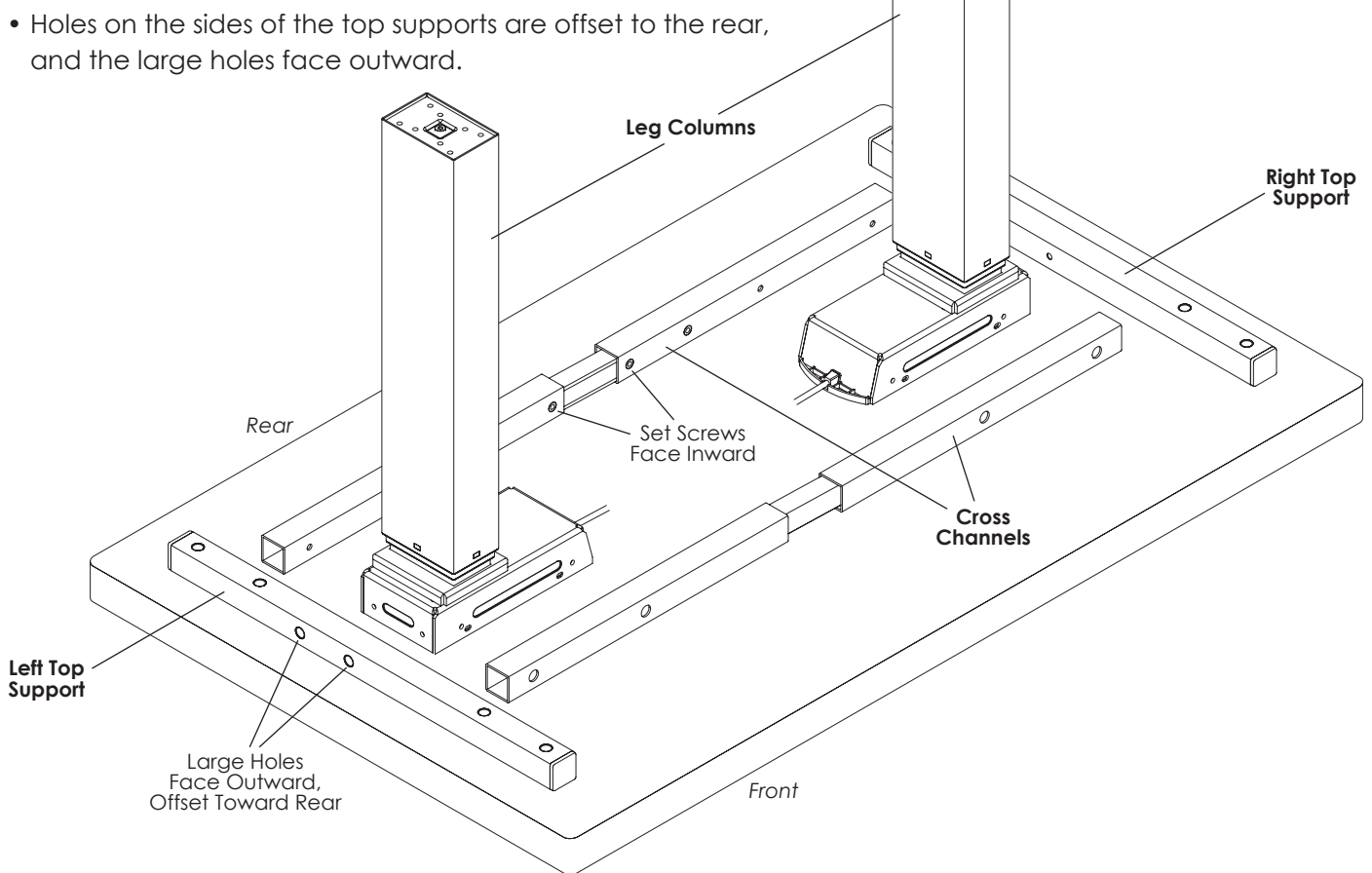
CAUTION: Always check that screws used to attach components to the work surface are not too long for the thickness of the surface.



STEP 1

With the table top facing down on a soft, clean surface, arrange the leg columns, top supports, and cross channels, as shown.

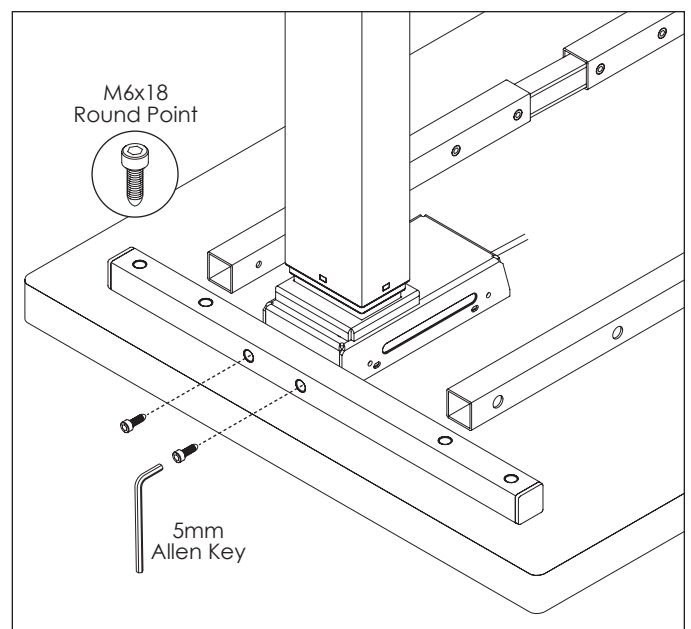
- Positioning does not need to be exact at this time.
- The set screws on the cross channels face inward, toward each other.
- Holes on the sides of the top supports are offset to the rear, and the large holes face outward.

**STEP 2**

Use M6x18 socket head screws (with round point tip) and the 5mm Allen key to attach the top supports to the leg columns.

- Use 2 screws per top support.
- The screws fit through guides in the top supports.
- Be sure the short side of the top supports is toward the rear of the work surface.

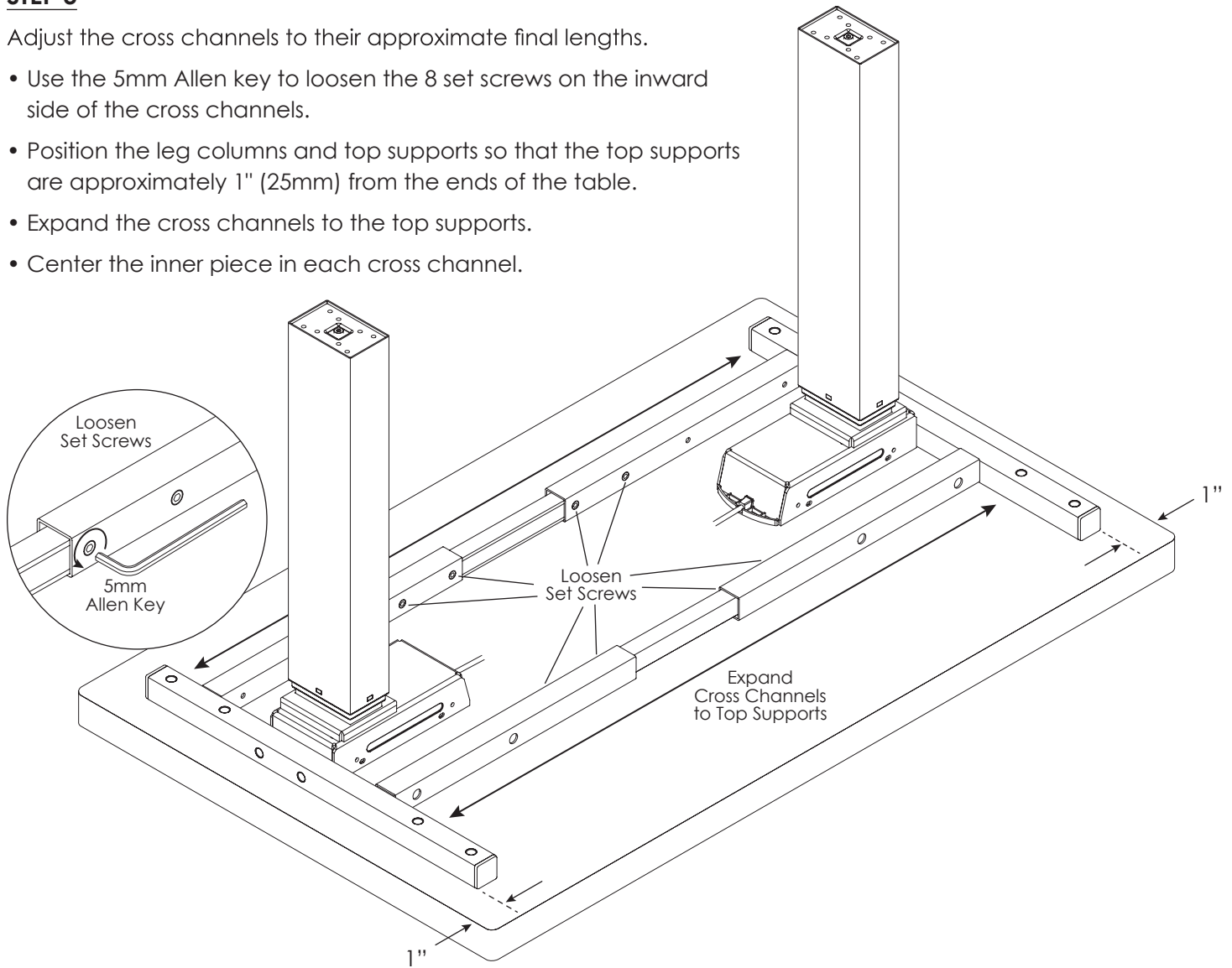
IMPORTANT: Do not use the M6x15 socket head screws with the flat tip. Those screws will be used to attach the feet.



STEP 3

Adjust the cross channels to their approximate final lengths.

- Use the 5mm Allen key to loosen the 8 set screws on the inward side of the cross channels.
- Position the leg columns and top supports so that the top supports are approximately 1" (25mm) from the ends of the table.
- Expand the cross channels to the top supports.
- Center the inner piece in each cross channel.

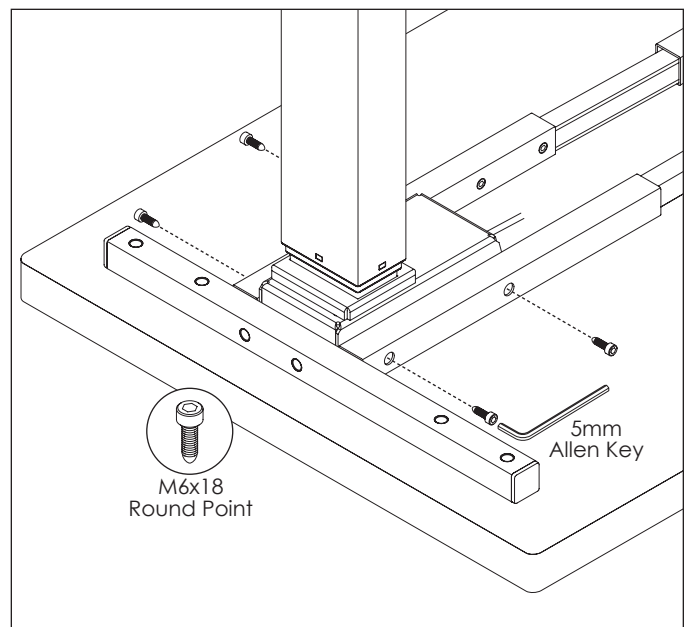


STEP 4

Attach the cross channels to the leg columns with 4 M6x18 socket head screws per leg.

- Use a 5mm Allen key.
- The screws fit through guides in the sides of the cross channel.

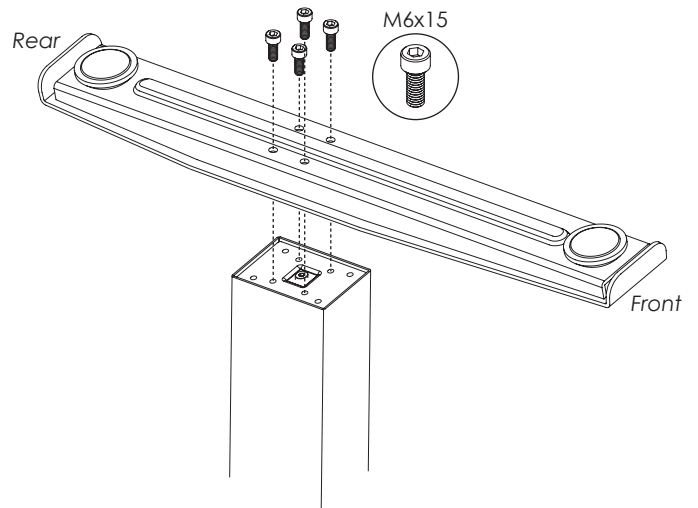
(After completing this step, there should be no remaining M6x18 screws with the round point tip.)



STEP 5

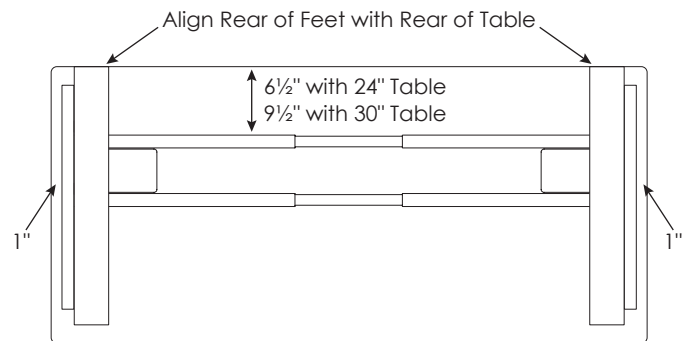
Attach the feet to the leg columns.

- Place the square opening on the foot over the leg.
- Use the 5mm Allen key and M6x15 socket head screws (with flat tip) to secure the feet in position.

**STEP 6**

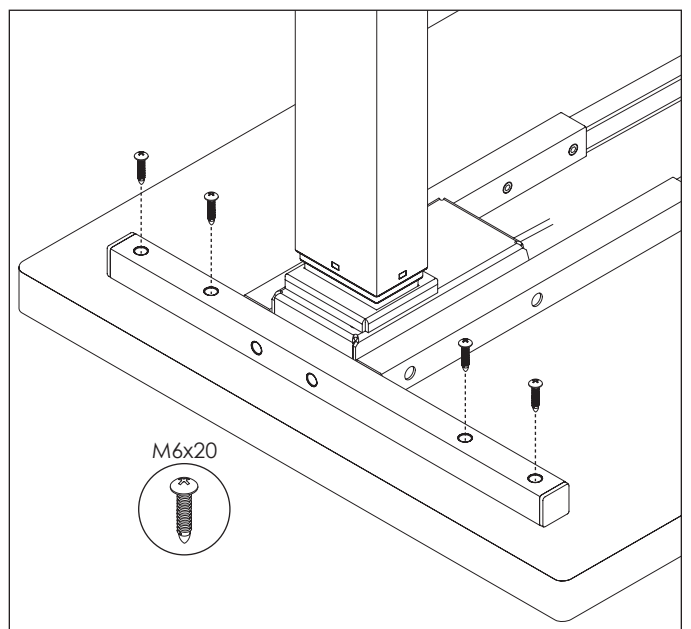
Adjust the position of the frame before attaching it to the table.

- Check that the top supports on each side are approximately 1" (25mm) from the ends of the table.
- The rear of the feet should align with the rear of the table. With feet for a 24" deep table, the rear cross channel will be 6½" from the rear of the table. With feet for a 30" table, the rear cross channel will be 9½" from the rear of the table.

**STEP 7**

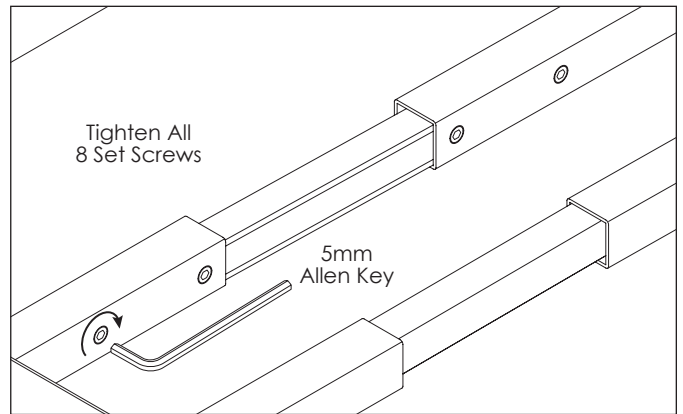
Attach the top supports to the table.

- Use the M6x20 Phillips round head screws (8 total required) and a Phillips screwdriver.
- The screws fit through guides in the top of the supports.



STEP 8

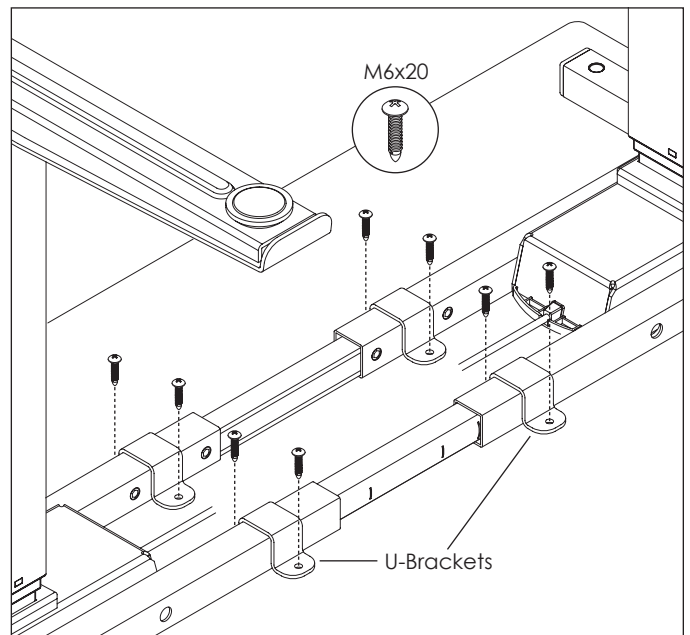
Use the 5mm Allen key to tighten the set screws (8 total) in both cross channels.



STEP 9

Attach the cross channels to the table.

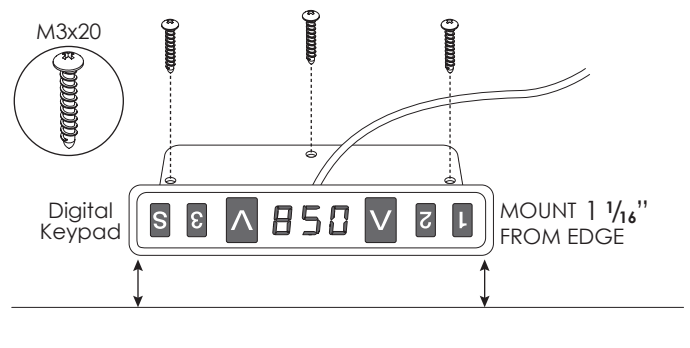
- Position one U-bracket over each section of cross channel, between the set screws, as shown (four brackets total).
- Use the remaining M6x20 Phillips round head screws (8 total) to fasten the U-brackets to the work surface.



STEP 10

Attach the digital keypad using the three M3-20 Phillips round head screws.

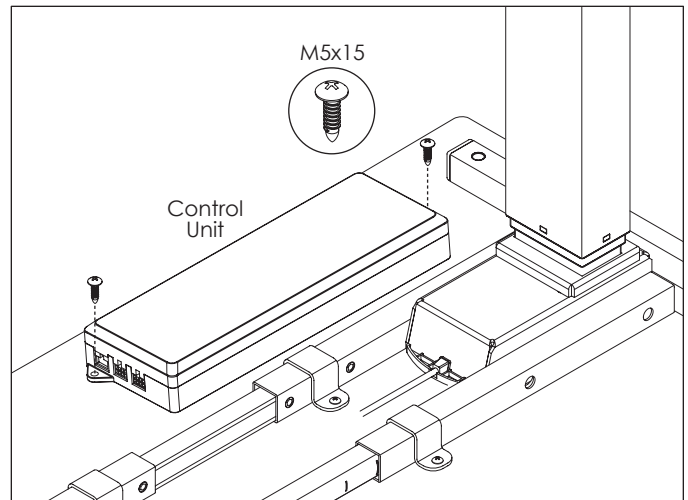
- Position the digital keypad on the left or right side of the table, according to user preference.
- Mount the keypad 1 1/16" from the front edge of the table and expand to make flush. This will prevent overhang and collision with the keypad.



STEP 11

Attach the control unit using the two M5-15 Phillips round head screws.

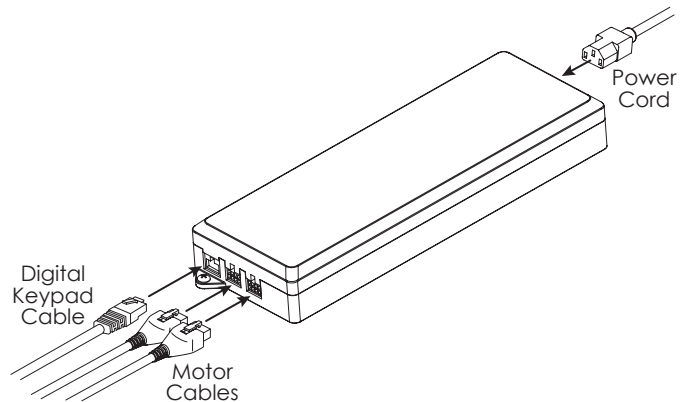
- Position the control unit near the back of the table, on the same side as the digital keypad.
- Be sure that the cable from the keypad can reach the control unit and the motor cables can extend from the control unit to both motors.

**STEP 12**

Make connections to the control unit and motors.

- Connect the cable from the digital keypad.
- Connect the motor cables to the control unit and to each of the motors on the table legs.
- Connect the power cord to the control unit.
- Plug the power cord into an AC outlet.

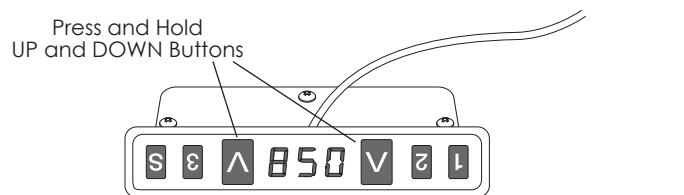
CAUTION: Do not operate the table until after initializing the system. See the following step.

**STEP 13**

Initialize the system before testing operation.

IMPORTANT: The initialization procedure below must be completed before operating the table.



- Press and hold the UP ▲ and DOWN ▼ buttons simultaneously for more than 3 seconds.
 - The legs will begin to move down at half speed of normal operation.
- Continue to press the UP ▲ and DOWN ▼ buttons.
 - The legs will move down to the lowest position, then rebound $\frac{1}{16}$ " to $\frac{3}{16}$ " (2mm to 5mm) and stop.
- Release the UP ▲ and DOWN ▼ buttons at the same time. This completes the initialization procedure.



Note: Until the table is turned upright, the DOWN button points up and the UP button points down.

STEP 14

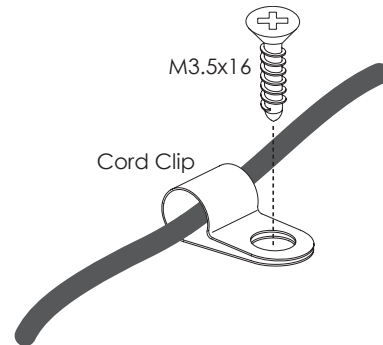
Test operation.

- Press the UP  and DOWN  buttons individually to test operation. End your test with the legs lowered and unplug the power cord.
- If there are problems with operation, check that all cable and cord connections are secure. If problems continue, call ESI Customer Service.

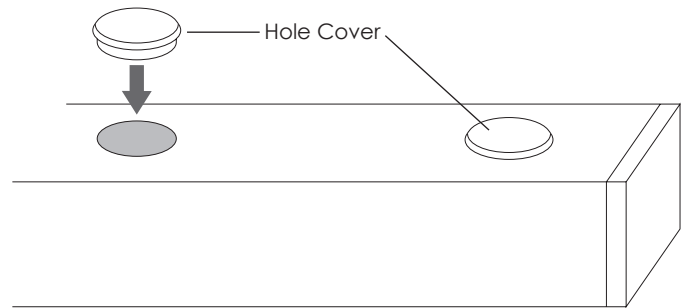
STEP 15

Use the cord clips to secure the cables and cords in position.

- Cables must not interfere with table operation.
- Cables must not interfere with the user.
- Use the M3.5x16 Phillips flat head screws to fasten the cord clips to the table.

**STEP 16**

If desired, snap hole covers over all screw holes with guides (12 total).

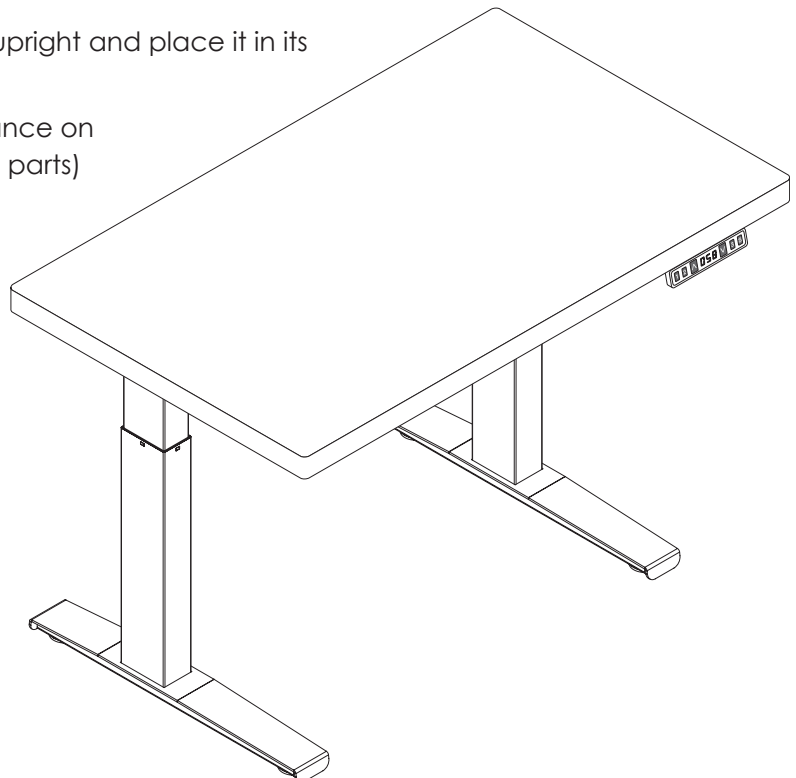
**STEP 17**

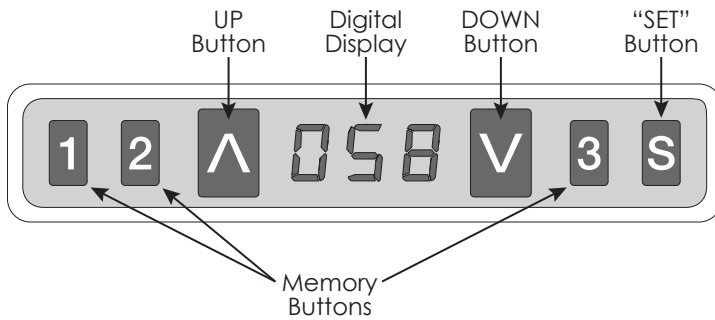
With the assistance of a helper, turn the table upright and place it in its final position.

IMPORTANT: There must be 1" (25mm) of clearance on all sides of the work surface (and other moving parts) to ensure free, unobstructed movement.

- Adjust the leveling glides on the feet to level the work surface, if necessary.
- Plug the power cord into an AC outlet and re-initialize the unit.
- See the following pages for operating procedures.

Note: If the unit is unplugged or power is cut, the table must be re-initialized.





CAUTION: The initialization procedure must be completed before operating the table. See Step 13 on page 7.

GENERAL OPERATION

Move the table up or down by pressing UP ▲ or DOWN ▼ until the work surface reaches the desired height.

The table will continue to move up or down until you release the button or until the maximum or minimum height is reached.

Table movement stops when you release the UP ▲ or DOWN ▼ button.

MEMORY STOP POSITIONS

Up to three memory stop positions can be used to save specific heights of the work surface. To set a specific position:

- Raise or lower the table to the position you want to save.
 - The display on the digital keypad shows the work surface height.
- Press the **S** button. Then press the desired memory button — **1**, **2** or **3** — within the next 3 seconds.
 - Position **1**, **2** or **3** is now saved.

To move the work surface to a memory stop position:

- Press and hold the desired memory button, **1**, **2** or **3**.
 - The work surface will move to the saved position and then stop.

If you release the memory button before the saved position is reached, table movement will stop.

LOWER STOP POSITION

This feature can be used to set the minimum height of the table.

- Raise or lower the table to the desired minimum height.
- Press and hold **S**, then press and hold **1**. Continue to press both buttons for about 3 seconds.
 - The letter “L” appears on the display. This means the minimum height of the table is locked at its current position.
- Release both buttons.

To erase the lower stop position:

- Press and hold **S**, then press and hold **2**. Continue to press both buttons for about 3 seconds.
 - The letter “C” appears on the display, indicating the lower stop position has been erased.
- Release both buttons.

If there is a memory stop position lower than the lower stop position, the memory stop will be erased..

CHANGING THE HEIGHT DISPLAY UNITS

This function allows you to change the display units from centimeters to inches or the other way around.

- Press and hold **S**, then press and hold the DOWN ▼ button. Continue to press both buttons for about 3 seconds.
 - The height information will change between centimeters and inches.
- Release both buttons.

RESET THE CONTROL UNIT TO FACTORY SETTINGS

To reset the control unit to factory settings, re-initialize the table.

- Press and hold the UP ▲ and DOWN ▼ buttons simultaneously for more than 3 seconds.
 - The legs will begin to move down at half speed of normal operation.
- Continue to press the UP ▲ and DOWN ▼ buttons.
 - The legs will move down to the lowest position, then rebound $\frac{1}{16}$ " to $\frac{3}{16}$ " (2mm to 5mm) and stop.
- Release the UP ▲ and DOWN ▼ buttons at the same time. This completes the initialization procedure.

If one or more motors are changed in a system, the control unit must be reset to factory settings.



800.833.3746 | esiergo.com