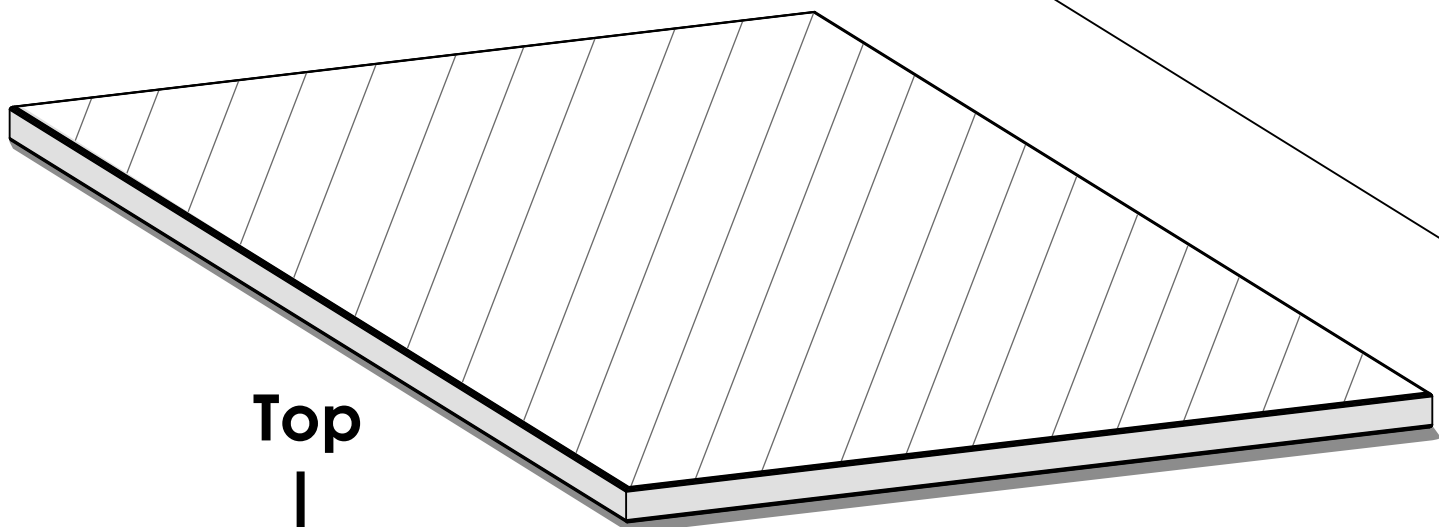


WORK SURFACE POSITIONING

Visual Aid

1. The work surface should be placed on the ground with the top side of the surface facing down and the bottom side of the work surface facing up.

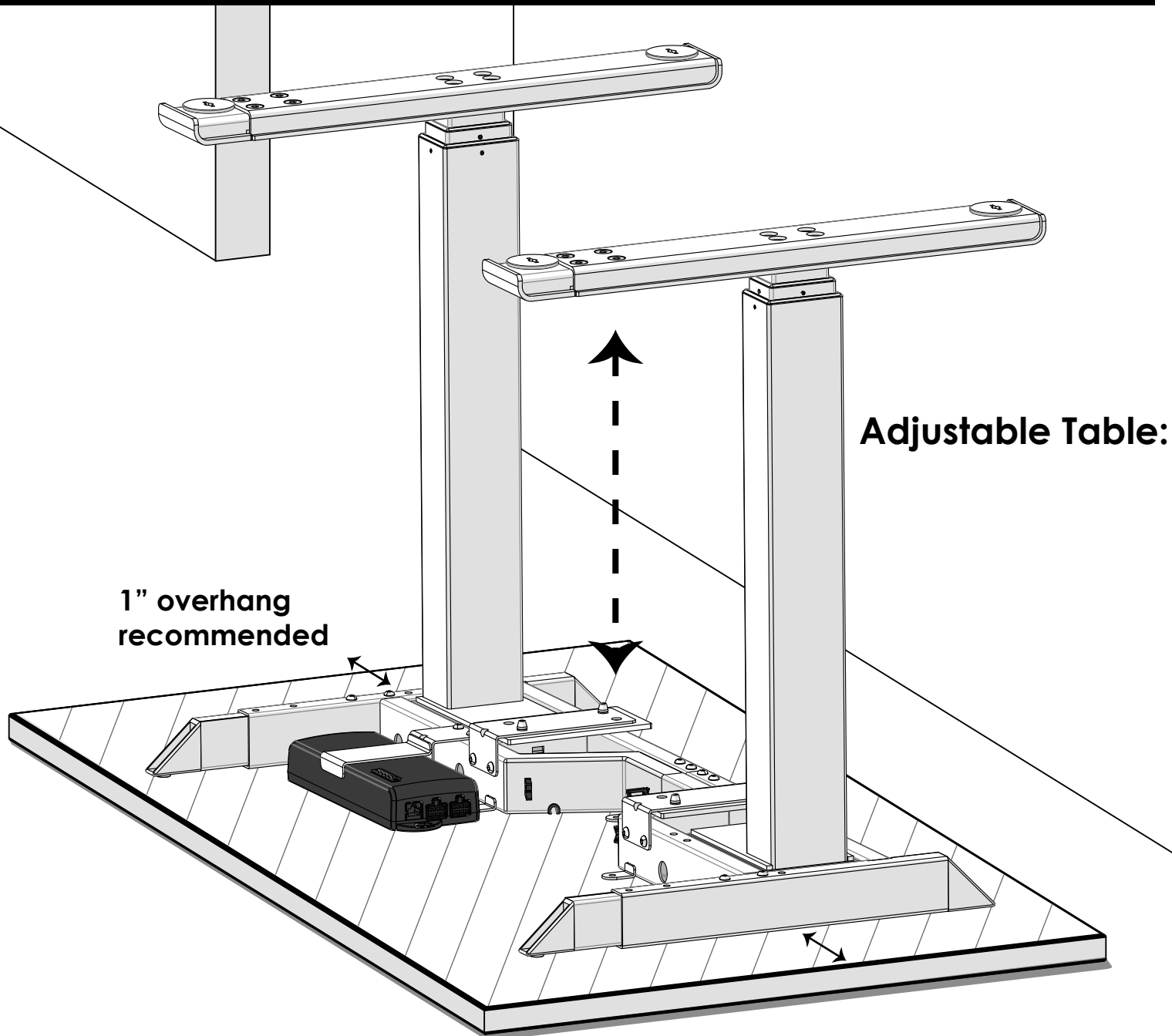


Top



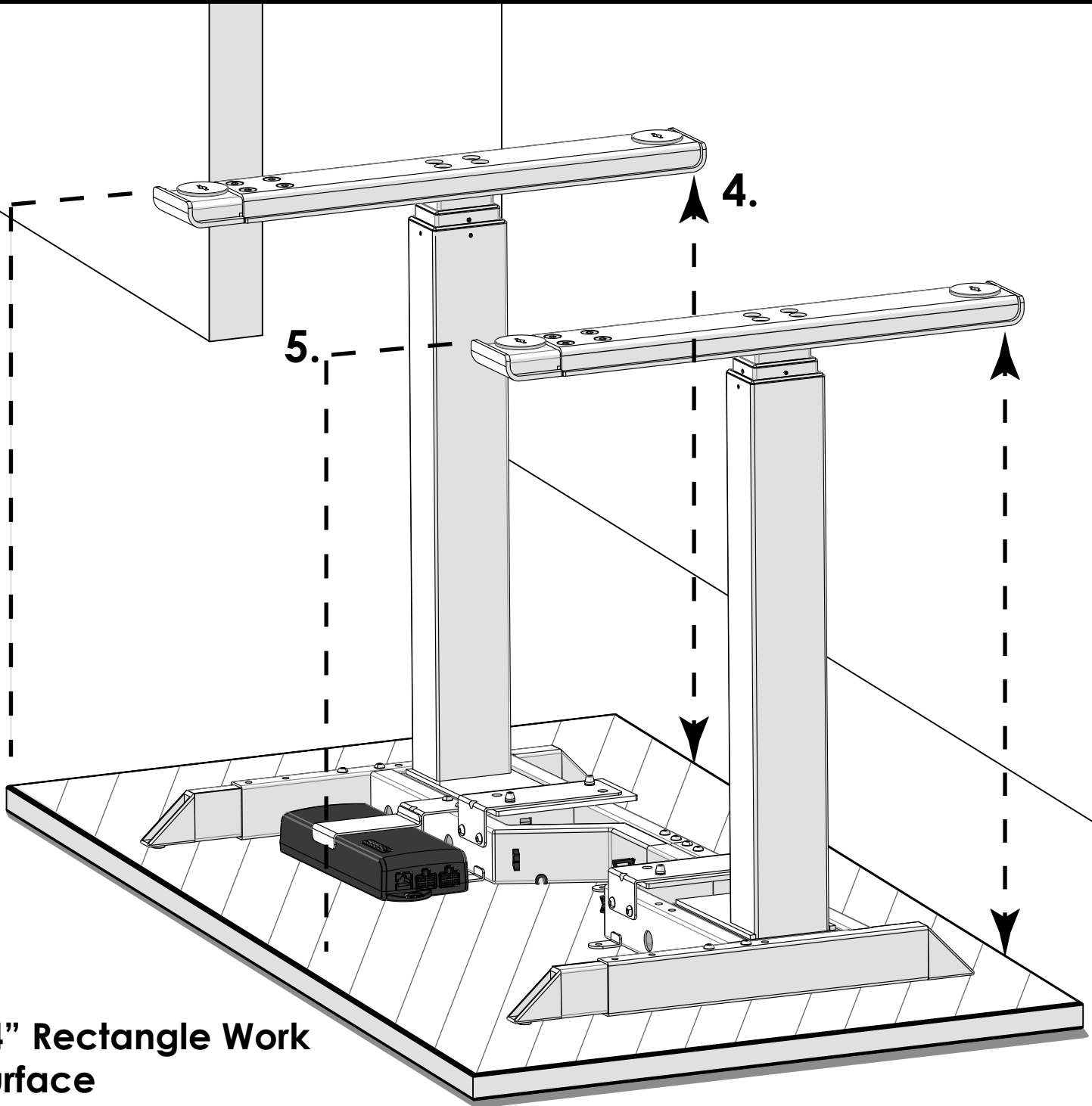
24" Rectangle Work Surface

2. Place the height adjustable table base on top of the work surface. The cross channels should be on top of the work surface while the feet will be protruding upwards.



3. On the right and left side of the work surface, position the table base as close to the edge as it will allow.

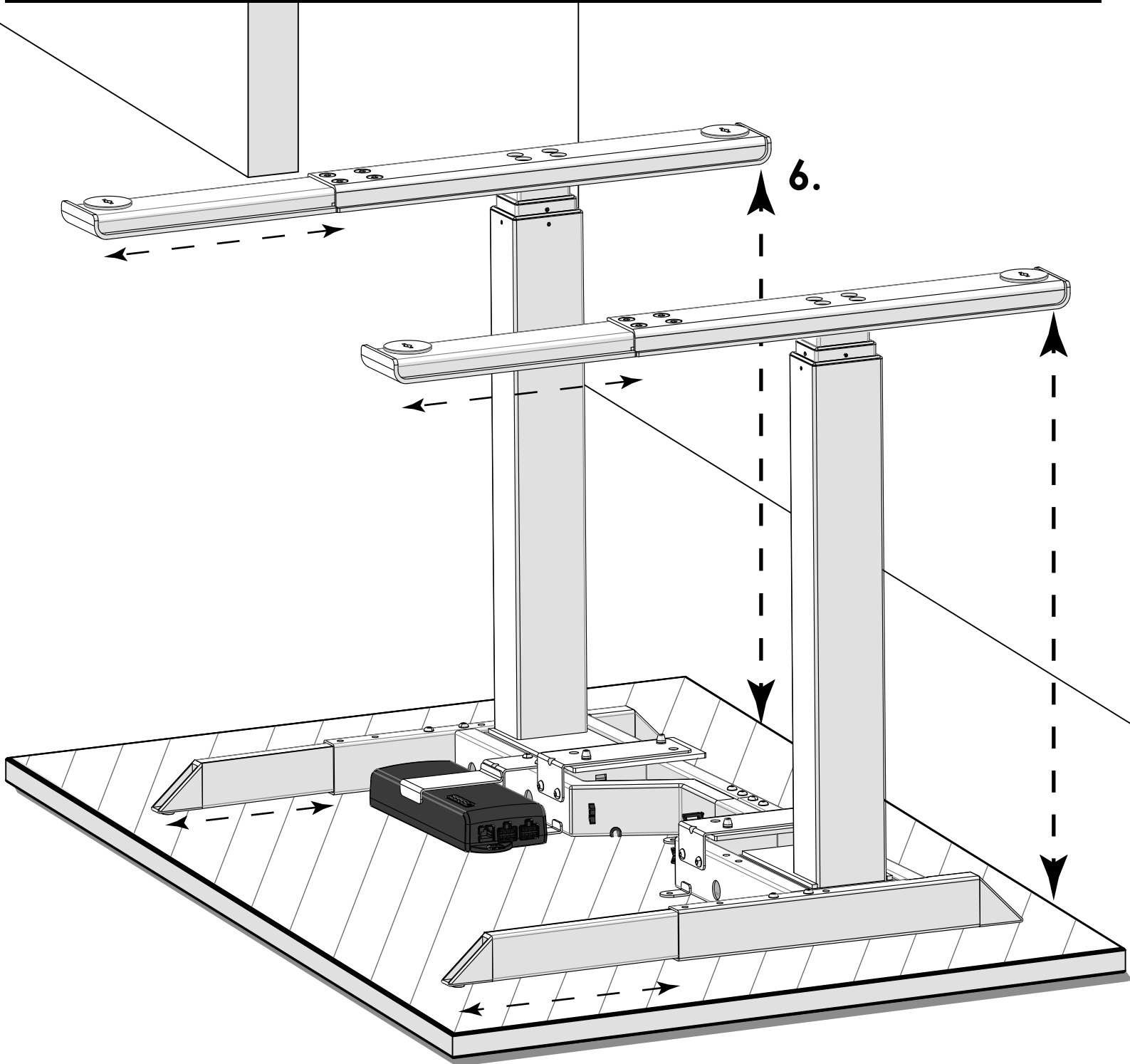
4. For a 24" work surface, the back of the work surface should be aligned with the back of the feet for maximum support.



24" Rectangle Work Surface

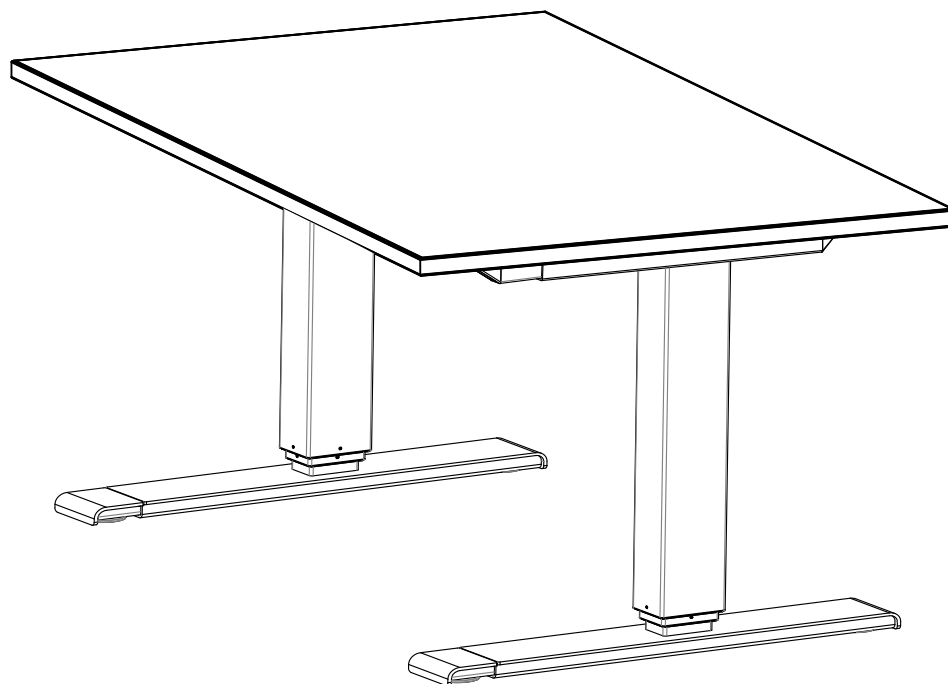
5. When the base is centered, verify that the feet do not stick out past the edge of the work surface on the front or the back. Adjust accordingly.

6. For a 30" work surface, the back of the work surface should be aligned with the back of the feet for maximum support.



30" Rectangle Work Surface

The work surface is now ready to be attached to the base.



Need Help? Please Contact Us.



Phone: 1-800-833-3746

Email: customerservice@esiergo.com

Web: www.esiergo.com