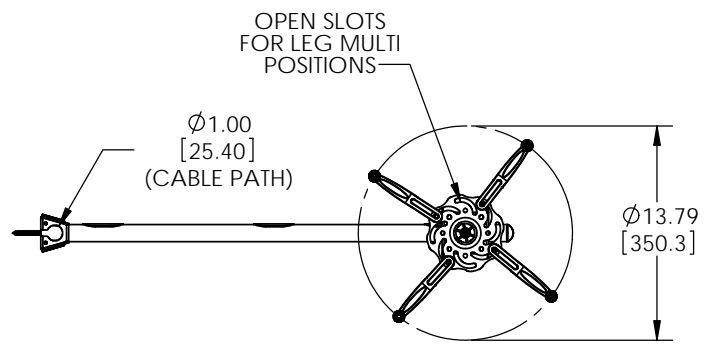
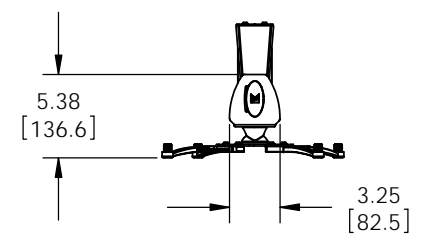
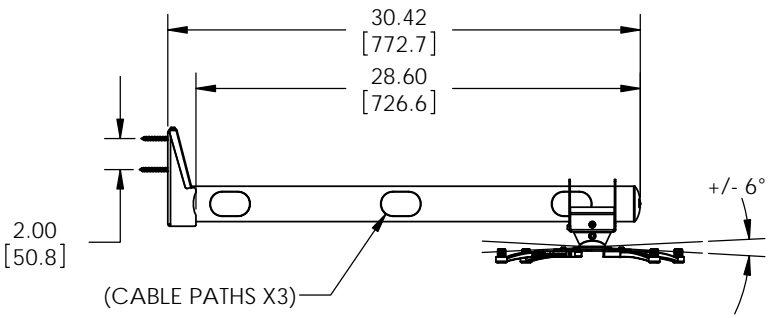
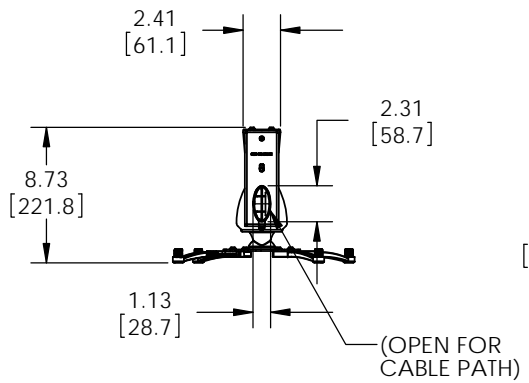
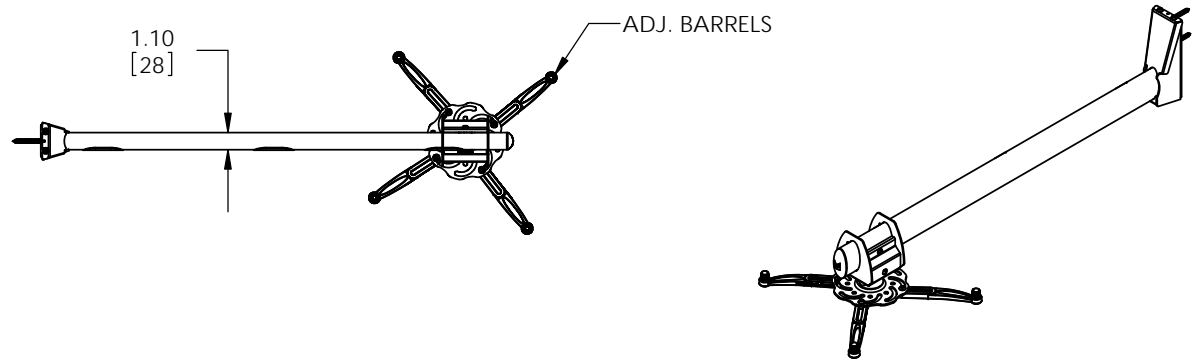


THE INFORMATION CONTAINED IN THIS DRAWING IS THE SOLE PROPERTY OF PREMIER MOUNTS DIVISION OF <PMPI>. ANY REPRODUCTION IN PART OR WHOLE WITHOUT THE WRITTEN PERMISSION OF PREMIER MOUNTS DIVISION OF <PMPI> IS PROHIBITED.




Touchboards

205 Westwood Ave, Long Branch, NJ 07740
 Phone: 866-94 BOARDS (26273) / (732)-222-1511
 Fax: (732)-222-7088 | E-mail: sales@touchboards.com

MOUNTS.COM

WEIGHT CAPACITY: 25 LBS
 DIMENSIONS ARE IN INCH AND [MM]

 PREMIER MOUNTS THE ORIGINAL MOUNT COMPANY 1321 South State College Blvd Fullerton Ca, 92831 P. 800.368.9700 - F. 800.832.4888	
ITEM DESCRIPTION: SINGLE STUD SHORT-THROW PROJECTOR WALL MOUNT	
SIZE B	DWG. NO. EST-100
SCALE: 1:8	
SHEET 1 OF 1	