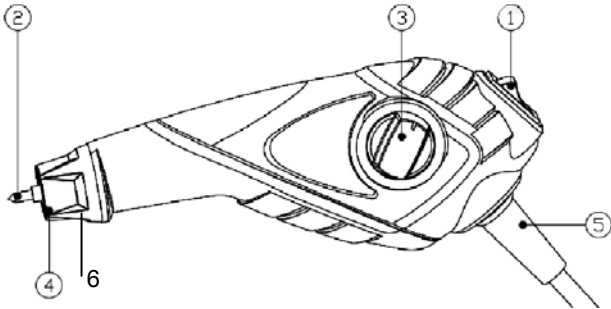


Pro'sKit®

PT-5203A/I/G Electric Engraver



1. On/off switch 2. Engraving tip 3. Stroke adjustment dial
4. Tip release screw 5. Power cord 6. LED light

CAUTION !

Thoroughly read and understand all instructions before using this product. Indicates operating time at no more than 30 minutes at rated load followed by a complete cool down of the tool.

Specifications :

Consumption : 10W

Input Voltage : PT-5203A : AC 120V 60Hz

PT-5203I : AC 220~240V 50Hz

PT-5203G : AC 220~240V 50Hz

Speed : 7,100 spm

Stroke setting : 9 Position

Engraver point holder : Φ 3.0 mm

Engraving bit : Tungsten Carbide Tipped steel

GENERAL SAFETY INSTRUCTIONS

WARNING ! Read all instructions. Failure to follow all instructions listed below may result in electric shock, fire and /or serious injury.

1) ELECTRICAL SAFETY

- Power tool plugs must match the outlet. Never modify the plug in any way. Do not use any adapter plugs with earthed (grounded) power tools. Unmodified plugs and matching outlets will reduce risk of electric shock.
- Avoid body contact with earthed or grounded surfaces such as pipes, radiators, ranges and refrigerators. There is an increased risk of electric shock if your body is earthed or grounded.
- Do not expose power tools to rain or wet conditions. Water entering a power tool will increase the risk of electric shock.
- Do not abuse the cord. Never use the cord for carrying, pulling or unplugging the power tool. Keep the cord away from heat, oil and sharp edges or moving parts. Damaged or entangled cords increase the risk of electric shock.
- If operating a power tool in a damp location is unavoidable, use a residual current device (RCD) protected supply. Use of an RCD reduces the risk of electric shock.

2) PERSONAL SAFETY

- Stay alert Watch what you are doing and use common sense when operating a power tool. Do not operate tool when you are tired or under the influence of drugs, alcohol or medication. A moment of inattention while operating power tools may result in serious personal injury.
- Use safety equipment. Always wear eye protection. Safety equipment such as dust mask, non-skid safety shoes, hardhat, or ear protection used for appropriate conditions will reduce personal injuries.
- Avoid accidental starting. Ensure the switch is in the off position before plugging in. Carrying power tools with your finger on the switch or plugging in power tools that have the switch on invites accidents.
- Remove any adjusting key or wrench before turning the power tool on. A wrench or a key left attached to a rotating part of the power tool may result in personal injury.
- Do not overreach. Keep proper footing and balance at all times. This enables better control of the power tool in unexpected situations.
- Dress appropriately. Do not wear loose clothing or jewellery. Keep your hair, clothing and gloves away from moving parts. Loose clothes, jewellery or long hair can be caught in moving parts.

3) POWER TOOL USE AND CARE

- Do not force the tool. Use the correct power tool for your application, The correct power tools will do the job better and safer at the rate for which they were designed.
- Do not use the power tool if the switch does not turn it on and off. Any power tool that cannot be controlled with the switch is dangerous and must be repaired.
- Disconnect the plug from the power source before making any adjustments, changing accessories, or storing power tools. Such preventive safety measures reduce the risk of starting the power tool accidentally.
- Maintain power tools, Check for misalignment or binding of moving parts, breakage of parts and any other condition that may affect the power tool's operation. If damaged, have the power tool repaired before use. Many

- accidents are caused by poorly maintained power tools.
- Keep cutting tools sharp and clean. Properly maintained cutting tools with sharp cutting edges are less likely to bind and are easier to control.
- Use the power tool, accessories and tool bits etc., in accordance with these instructions and in the manner intended for that particular type of power tool, taking into account the working conditions and the work to be performed. Use of the power tool for operations other than those intended could result in a hazardous situation.

4) SERVICE

- Have your power tool serviced by a qualified technician using only identical replacement parts. This will ensure that the safety of the power tool is maintained.

ADDITIONAL SAFETY INSTRUCTIONS FOR ENGRAVERS

- Always wear eye, ear and breathing protection
 - Do not apply too much pressure when engraving
- WARNING !** The use of an accessory or attachment other than those recommended in this Instruction Manual, may present a risk of personal injury. To use this tool properly, you must observe the safety regulations, the assembly instructions and the operating instructions to be found in this Manual. All persons who use and service the machine have to be acquainted with this Manual and must be informed about its potential hazards. Children and intirmed people must not use this tool. Children should be supervised at all times if they are in the area in which the tool is being used. It is also imperative that you observe the accident prevention regulations in force in your area. The same applies for general rules of occupational health and safety. The manufacturer shall not be liable for any changes made to the tool nor for any damage resulting from such changes. Even when the tool is used as prescribed it is not possible to eliminate all residual risk factors. The following hazards may arise in connection with the tool's construction and design :
- Damage to the lungs if an effective dust mask is not worn.
 - Damage to hearing if effective earmuffs are not worn.
 - Damage to eyes if effective goggles are not worn.
 - Risk of injury unless hands are kept well clear of cutting devices.

INSTALLING AN ENGRAVER TIP

WARNING ! Disconnect the engraver from the power supply before making any adjustments or maintenance procedures.

- Loosen the tip release screw (4) by turning it anticlockwise with a flat head screwdriver.
- To fit the new engraving tip (2), insert the tip through the centre of the hole of the engraver, ensuring the tip fully enters the housing. A new tip should protrude from the end of the housing by approximately 8.5mm.
- Tighten the tip release screw (4) fully by rotating in a clockwise direction.

OPERATION

WARNING ! Always wear safety glasses when using this tool.

The engraver can be used to permanently mark metal, glass, plastic, wood, ceramics and much more.

- Before using the engraver you must ensure there is an engraving tip installed.
- Connect the engraver plug to the power supply and while holding the engraver firmly, push up on the on/ off switch (1) with your thumb.

NOTE ! To turn the tool on, press the small On/Off Switch (1) upwards to the (I) position. To turn the tool off, push the on/off Switch (1) down to the (O) position.
- Hold the engraver at an angle like you would hold a pen. Do not press down hard while engraving, use light pressure while guiding the point over the work to be completed.

ADJUSTING THE DEPTH OF ENGRAVING

- The stroke adjustment dial (3) located on the side of the engraver controls the stroke length and therefore the depth of engraving.
- For a fine mark turn the stroke adjustment dial (3) anticlockwise to position "1".
- For a deeper, thicker mark turn the stroke adjustment dial (3) clockwise to position "5"

NOTE ! It is recommended that you practice on scrap material before you start.

MAINTENANCE

WARNING ! Always ensure that the tool is switched off and the plug is removed from the power point before making any adjustments or maintenance procedures.

- Use a soft brush to remove any accumulated dust. Wear safety glasses to protect your eyes whilst cleaning.
- If the body of the tool needs cleaning, wipe it with a soft damp cloth. A mild detergent can be used but never alcohol, petrol or other harsh cleaning agents.
- Never use caustic agents to clean plastic parts.

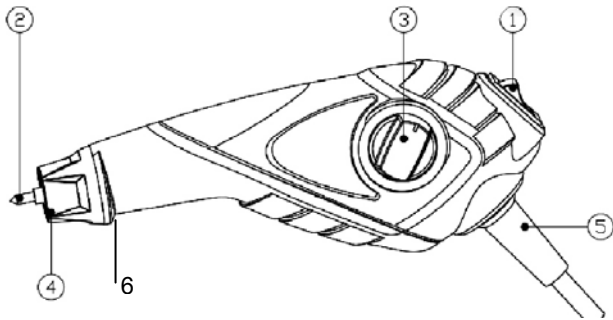
CAUTION ! Water must never come into contact with the tool.

General inspection

Regularly check that all the fixing screws are tight. They may vibrate loose over time.

Pro'sKit®

PT-5203A/I/G 電動雕刻刀



1. On/off 電源開關
2. 雕刻針
3. 衝擊速度調整旋鈕
4. 雕刻針固定螺絲
5. 電源線
6. LED 工作照明燈

注意！

使用本產品前，應詳閱和了解本說明書中的所有指示；為了確保產品的使用壽命，一般應在操作 30 分鐘以下時，讓本產品先靜止一段時間，待冷卻後再使用！

規格：

消耗功率：10W

輸入電壓：PT-5203A：AC 120V 60Hz；PT-5203I：AC 220~240V 50Hz
PT-5203G：AC 220~240V 50Hz

衝擊速度：7,100 spm

衝擊速度設定：9 段

雕刻針孔座：Φ3.0 mm

雕刻針：鎢碳化鋼

一般安全指示

危險！詳閱本說明書。未能遵循說明書中的紙是可能導致觸電、火災、和/或重傷害。

1) 電氣安全

- a) 電動工具的插頭需與插座匹配，不可用任何方式修改插頭！具有接地的電動工具，不可使用轉換插頭！不修改插頭和使用匹配的插座，將減少觸電的風險！
- b) 避免身體接觸接地的表面，例如：管線、天線、延伸空間和和電冰箱。當你身體接觸接地的表面，將有增高觸電的風險。
- c) 不可將電動工具暴露在下雨或潮濕的環境中。浸濕的電動工具，將提高觸電的風險。
- d) 不可濫用電源線。不可使用電動工具的電源線，做為攜帶、拖拉或拉拔等用途。
- e) 如果無法可避免在一個潮濕的地區中，操作一台電動工具，應使用電流保護設備，去保護電源！使用電流保護設備，可以減少觸電的風險。

2) 人身安全

- a) 當操作一台電動工具時，應保持警戒、集中注意力。注意工作。當你感覺疲倦時，或在使用藥物和飲酒後，不可操作電動工具。
- b) 使用安全的設備，戴上眼鏡保護眼睛。安全設備，例如：防塵面罩、防滑的安全鞋、頭盔，或耳朵保護罩，適當的使用可以減少人身的傷害。
- c) 避免意外的啟動。在插入插頭前，應先確認開關在關閉的狀態下！攜帶工具時，手指應遠離開關或誤插電源，當不慎打開電源可能造成意外。
- d) 在開啟電動工具前，請移除所有調整工具和扳手。調整工具或扳手等電動工具附屬的旋具，可能導致人身傷害。
- e) 不要過度延伸；始終保持穩固和平衡；這可以在出乎預料的情況下，更容易的控制電動工具。
- f) 適合的服裝：不要穿著寬鬆的衣物或掛飾珠寶項鍊。不要讓你的頭髮、服裝和手套靠近轉動的機具。寬鬆的衣服、珠寶、項鍊或長髮，可能被捲入轉動的機具中。

3) 電動工具的使用和注意事項

- a) 操作工具不要太過用力。正確的使用電動工具，正確的使用電動工

- 具，他們的設計將有助於節省成本，和將工作做得更好、更安全。
- b) 如果開關忽開忽關時，請不要繼續使用這電動工具。任何不受控制的電動工具是危險的，請速送到經銷商處維修。
- c) 更換配件或儲存電動工具之前，請拔除插頭、切斷電源。這樣可以預防意外啟動電動工具的風險，減少意外發生。
- d) 維護電動工具，檢查和鎖緊鬆動、破損的零配件，這些問題可能影響電動工具的操作。如果已損壞，請在操作電動工具前修復，很多意外的發生，是因為電動工具不當的維護所引起。
- e) 保持電動工具的鋒利和清潔。正確的保持電動工具的鋒利，比較不會受限和容易受控制。
- f) 使用電動工具和雕刻針等... 配件。依照說明書指示和用這些特別的配件類型，應用在各種工作條件下和待執行的工作上。不當的使用非正規的配件，將導致危險的發生。

4) 售後服務

- a) 本電動工具只有是經確認合格的工程師，並替換與原產品完全相同的零件下，才可以進行維修。如此才能確保產品維修的安全。

雕刻師附加指示

- 請穿戴保護眼睛、耳朵、呼吸的裝備。
- 雕刻時，請勿用力過猛。

危險！除了在這說明書中所推薦或是本產品所附加的配件外，不當的配件可能傷害人體。操作本電動工具時，請務必遵守本說明書中的相關規定。所有的使用或維修本機器的人，必須熟讀本說明書，且一定要注意它潛在的危險。小孩子與不熟悉電動工具操作的人，禁止使用本電動工具。如果小孩與旁觀者在電動工具操作的範圍中，應該要監視與注意。當它在你工作時，在規定範圍中，必需遵守意外事件預防事項，同你一樣的遵守這些一般的健康、安全守則。

安裝雕刻針

危險！當要進行調整或維修前，請先將雕刻機的電源斷開。

1. 鬆開雕刻針的(4)緊固螺絲，以扳手逆時針旋轉鬆開。
2. 挑選大小合適(φ3.0mm)新的雕刻針(2)，插入雕刻針孔座中，並確認雕刻針以完全插入座中。新的雕刻針應該凸出雕刻針座約 8.5mm。
3. 用扳手以順時針方向旋轉，旋緊固定螺絲(4)。

操作方法

危險！當使用本電動工具時，請都戴上保護眼鏡！

本電動雕刻機，適合用於金屬、玻璃、塑膠、木頭、陶磁...等，永久的刻上圖文。

1. 在您使用本電動雕刻機前，請先確認雕刻針已完全裝置妥善。
2. 連結本電動雕刻機的插頭，插妥在電源插座上，緊握住本電動雕刻機，再用手指打開 on/off 開關(1)

注意！要將電源打開，請向上壓下 on/of 開關；要將電源關閉，請向下壓下 on/of 開關。

3. 像握持一支筆一樣的緊握住本電動雕刻機。操作時請不要過度用力，只要輕力、穩定的帶動雕刻針到所有雕刻工作結束。

調整雕刻深度

1. 調整旋轉 衝擊速度調整旋鈕(3)，從 1 到 5 共 9 段，去調整你需要的雕刻深度。
2. 對於較軟的材質和刻紋需要淺一點時，請將 衝擊速度調整旋鈕(3)，逆時針調整到"1"的位置。
3. 對於較硬的材質和刻紋需要深一點時，請將 衝擊速度調整旋鈕(3)，順時針調整到"5"的位置。

注意！當你要雕刻前，請先用一小片區域進行練習。

保養與維護

危險！當要進行調整或維修前，請先將雕刻機的電源斷開。

1. 請戴上眼鏡保護眼睛，使用軟性刷子，先將本電動雕刻機上的灰塵刷除。
2. 如果需要擦拭外殼，請用軟性布沾濕後，確實擰乾後，再擦拭。可以使用中性的清潔劑，但嚴禁使用酒精、汽油...等揮發性溶劑擦拭外殼。
3. 不可使用腐蝕性溶劑擦拭外殼。

注意！擦拭清潔時，不可以讓水滲入機身內！

一般檢查

長時間的使用可能鬆動螺絲，請經常地檢查所有的固定螺絲是鎖緊的。

Pro'sKit®



寶工實業股份有限公司

PROKIT'S INDUSTRIES CO., LTD.

<http://www.prokits.com.tw>

E-mail: pk@mail.prokits.com.tw

©2015 Prokit's Industries Co., LTD. All rights reserved 2015002(C)