

Economy Rectangle Desk

Model No: 91672, 91673

TOP:

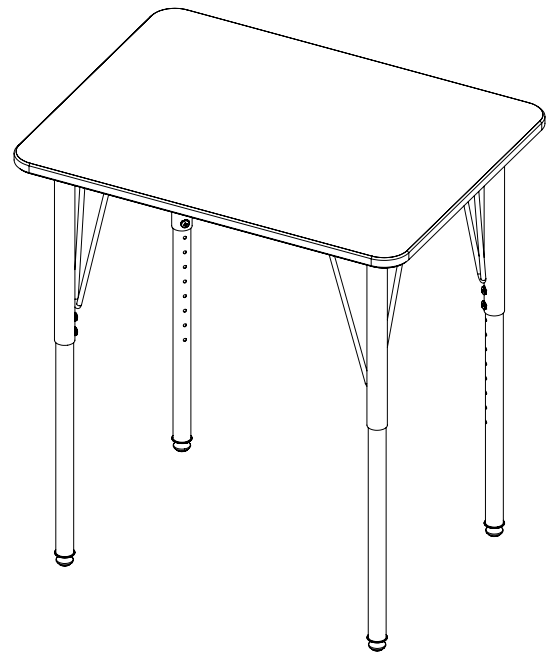
The top is made of 3/4" Particleboard Core with 4mm rounded vinyl T-mold edge. The work surface has a melamine top and bottom surface for balanced construction. Underside of top has M6 threaded metal inserts.

LEG RECEIVER:

Upper leg receiver is constructed from 18-gauge round steel tube, 30mm in diameter and powdercoated black. Receiver is welded to a 12-gauge steel top plate with 1-gauge (AWG) wire support additionally welded between the two. Leg receiver mounts to underside of top with six (6) M6 x 15mm machine screws that fasten to inserts.

LEG INSERT:

Leg insert is 27mm diameter, chrome plated 16-gauge steel tube with swivel nylon glide. Insert has eleven holes allowing for an overall height adjustment range of 21-30" in 1" increments. Two M6 x 13MM truss head screws with Philips drives are used to tighten the leg at the chosen height. Optional Youth inserts reduce height range by 6", bringing the adjustment range to 15-24" overall.

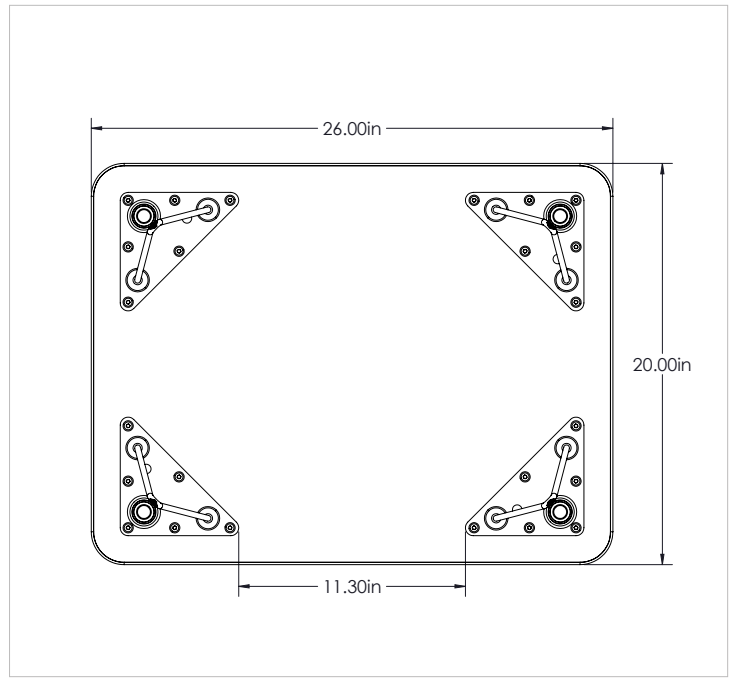
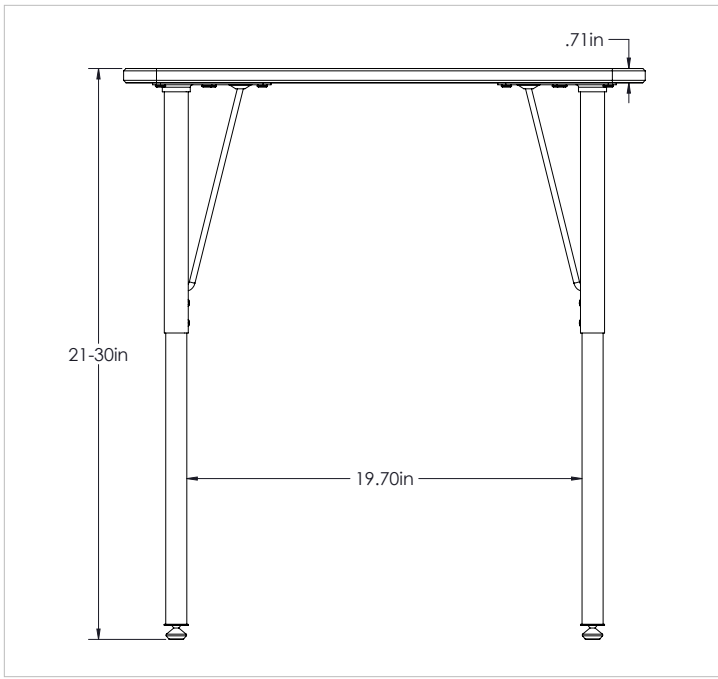


OPTIONS:

Tops are available in either Fusion Maple or Gray Nebula.

COMPLIANCE:

SCS Indoor Advantage Gold certified.



DIMENSIONS:

| Base Model No. | Description | Height - Min/Max. " | Depth " | Width " | Leg Spread |
|----------------|-------------------------------------|---------------------|---------|---------|------------|
| 91672 | Economy Rectangle Desk Fusion Maple | 22'/29" | 20" | 26" | 19.7" |
| 91673 | Economy Rectangle Desk Gray Nebula | 22'/29" | 20" | 26" | 19.7" |

ACCESSORIES:

| Base Model No. | Description |
|----------------|-------------------------|
| 89492 | Youth Height Leg Insert |