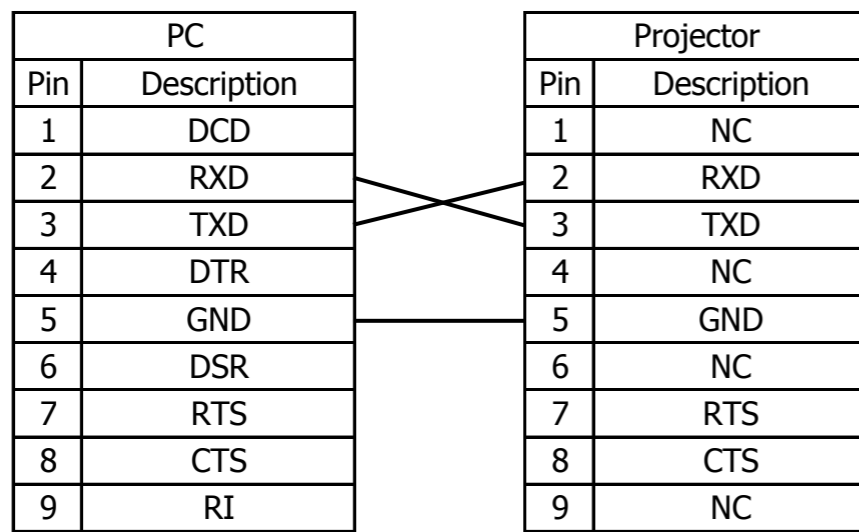


RS232C Command List for EK-620U/621W

2016/11/22
Ver 1.00

Pin Alignment



RS232C Setting

Baud Rate:	19200 (Default)
Parity Check:	None
Data Bit:	8
Stop Bit:	1
Flow Control:	None

*Baud rate can be changed below value in OSD.
--> 9600, 14400, 19200, 38400, 57600, 115200

RS232C Command List for EK-620U/621W

2016/11/22
Ver 1.00

Category	Item	Standard Format	Expand Format		Reply	Note	
		Commands	Commands	Parameter (%1=)			
	1-1			1		Presentation	
				2		Video	
				3		Bright	
				4		REC709	
				5		DICOM SIM	
				6		2D High Speed	
				7		3D	
				8		Blending	
				9		User	
				CF_IMAGE_SAVE			
			CR_IMAGE			1 ~ 9	Check Display Mode setting
	1-2				0 ~ 100		
			CF_BRIGHT_%1		UP		Increase setting value (+1) from current setting
					DN		Decrease setting value (-1) from current setting
			CR_BRIGHT			0 ~ 100	Check Bright Value
	1-3				0 ~ 100		
			CF_CONT_%1		UP		Increase setting value (+1) from current setting
					DN		Decrease setting value (-1) from current setting
			CR_CONT			0 ~ 100	Check Contrast Value
	1-4				0 ~ 4		
			CF_SHARP_%1		UP		Increase setting value (+1) from current setting
					DN		Decrease setting value (-1) from current setting
		CR_SHARP			0 ~ 4	Check Sharp Value	
1-5				0 ~ 100			
		CF_COLOR_%1		UP		Increase setting value (+1) from current setting	
				DN		Decrease setting value (-1) from current setting	
		CR_COLOR			0 ~ 100	Check Color Value	
1-6				0 ~ 100			
		CF_TINT_%1		UP		Increase setting value (+1) from current setting	
				DN		Decrease setting value (-1) from current setting	
		CR_TINT			0 ~ 100	Check Tint Value	
1-7				0 ~ 100			
		CF_PHASE_%1		UP		Increase setting value (+1) from current setting	
				DN		Decrease setting value (-1) from current setting	
		CR_PHASE			0 ~ 100	Check Phase Value	
1-8				0 ~ 100			
		CR_FREQ_%1		UP		Increase setting value (+1) from current setting	
				DN		Decrease setting value (-1) from current setting	
		CR_FREQ			0 ~ 100	Check Frequency Value	
1-9				0 ~ 100			
		CF_HPOS_%1		UP		Increase setting value (+1) from current setting	
				DN		Decrease setting value (-1) from current setting	
		CR_HPOS			0 ~ 100	Check Horizontal Position Value	
1-10				0 ~ 100			
		CF_VPOS_%1		UP		Increase setting value (+1) from current setting	
				DN		Decrease setting value (-1) from current setting	
		CR_VPOS			0 ~ 100	Check Vertical Position Value	
1-11-1				1		Auto	
				2		Frame Packing	
				3		Side by Side	
				4		Top and Bottom	
				5		Frame Sequential	
				0		Off	
		CR_3D-Mode			0 ~ 5	Check 3D Mode setting	
1-11-2		CF_3D-INVERT_%1		0		Off	
				1		On	
		CR_3D-INVERT			0 ~ 1	Check 3D-Invert setting	
1-11-3		CF_DLPLINK_%1		0		Off	
				1		On	
		CR_DLPLINK			0 ~ 1	Check DLP-LINK setting	
1-12-1		CF_CM_%1		0		Off	
				1		On	
		CR_CM			0 ~ 1	Check HSG Enable setting	
1-12-2		CF_CMAUTOTESTPAT_%1		0		Off	
				1		On	
		CR_CMAUTOTESTPAT_%1			0 ~ 1	Check Auto Test Pattern setting	
1-12-3				0 ~ 254		Set Red Hue Value (0 ~ 254)	
		CF_CM_RH_%1		UP		Increase setting value (+1) from current setting	
				DN		Decrease setting value (-1) from current setting	
		CR_CM_RH			0 ~ 254	Check Red Hue Value	

PICTURE

1-12-4			0 ~ 254		Set Red Hue Value (0 ~ 254)
		CF_CM_RS_%1	UP		Increase setting value (+1) from current setting
			DN		Decrease setting value (-1) from current setting
		CR_CM_RS		0 ~ 254	Check Red Saturant Value
1-12-5			0 ~ 254		Set Red Gain Value (0 ~ 254)
		CF_CM_RG_%1	UP		Increase setting value (+1) from current setting
			DN		Decrease setting value (-1) from current setting
		CR_CM_RG		0 ~ 254	Check Red Gain Value
1-12-6			0 ~ 254		Set Green Hue Value (0 ~ 254)
		CF_CM_GH_%1	UP		Increase setting value (+1) from current setting
			DN		Decrease setting value (-1) from current setting
		CR_CM_GH		0 ~ 254	Check Green Hue Value
1-12-7			0 ~ 254		Set Green Saturant Value (0 ~ 254)
		CF_CM_GS_%1	UP		Increase setting value (+1) from current setting
			DN		Decrease setting value (-1) from current setting
		CR_CM_GS		0 ~ 254	Check Green Saturant Value
1-12-8			0 ~ 254		Set Green Gain Value (0 ~ 254)
		CF_CM_GG_%1	UP		Increase setting value (+1) from current setting
			DN		Decrease setting value (-1) from current setting
		CR_CM_GG		0 ~ 254	Check Green Gain Value
1-12-9			0 ~ 254		Set Blue Hue Value (0 ~ 254)
		CF_CM_BH_%1	UP		Increase setting value (+1) from current setting
			DN		Decrease setting value (-1) from current setting
		CR_CM_BH		0 ~ 254	Check Blue Hue Value
1-12-10			0 ~ 254		Set Blue Saturant Value (0 ~ 254)
		CF_CM_BS_%1	UP		Increase setting value (+1) from current setting
			DN		Decrease setting value (-1) from current setting
		CR_CM_BS		0 ~ 254	Check Blue Saturant Value
1-12-11			0 ~ 254		Set Blue Gain Value (0 ~ 254)
		CF_CM_BG_%1	UP		Increase setting value (+1) from current setting
			DN		Decrease setting value (-1) from current setting
		CR_CM_BG		0 ~ 254	Check Blue Gain Value
1-12-12			0 ~ 254		Set Cyan Hue Value (0 ~ 254)
		CF_CM_CH_%1	UP		Increase setting value (+1) from current setting
			DN		Decrease setting value (-1) from current setting
		CR_CM_CH		0 ~ 254	Check Cyan Hue Value
1-12-13			0 ~ 254		Set Cyan Saturant Value (0 ~ 254)
		CF_CM_CS_%1	UP		Increase setting value (+1) from current setting
			DN		Decrease setting value (-1) from current setting
		CR_CM_CS		0 ~ 254	Check Cyan Saturant Value
1-12-14			0 ~ 254		Set Cyan Gain Value (0 ~ 254)
		CF_CM_CG_%1	UP		Increase setting value (+1) from current setting
			DN		Decrease setting value (-1) from current setting
		CR_CM_CG		0 ~ 254	Check Cyan Gain Value
1-12-15			0 ~ 254		Set Magenta Hue Value (0 ~ 254)
		CF_CM_MH_%1	UP		Increase setting value (+1) from current setting
			DN		Decrease setting value (-1) from current setting
		CR_CM_MH		0 ~ 254	Check Magenta Hue Value
1-12-16			0 ~ 254		Set Magenta Saturant Value (0 ~ 254)
		CF_CM_MS_%1	UP		Increase setting value (+1) from current setting
			DN		Decrease setting value (-1) from current setting
		CR_CM_MS		0 ~ 254	Check Magenta Saturant Value
1-12-17			0 ~ 254		Set Magenta Gain Value (0 ~ 254)
		CF_CM_MG_%1	UP		Increase setting value (+1) from current setting
			DN		Decrease setting value (-1) from current setting
		CR_CM_MG		0 ~ 254	Check Magenta Gain Value
1-12-18			0 ~ 254		Set Yellow Hue Value (0 ~ 254)
		CF_CM_YH_%1	UP		Increase setting value (+1) from current setting
			DN		Decrease setting value (-1) from current setting
		CR_CM_YH		0 ~ 254	Check Yellow Hue Value
1-12-19			0 ~ 254		Set Yellow Saturant Value (0 ~ 254)
		CF_CM_YS_%1	UP		Increase setting value (+1) from current setting
			DN		Decrease setting value (-1) from current setting
		CR_CM_YS		0 ~ 254	Check Yellow Saturant Value
1-12-20			0 ~ 254		Set Yellow Gain Value (0 ~ 254)
		CF_CM_YG_%1	UP		Increase setting value (+1) from current setting
			DN		Decrease setting value (-1) from current setting
		CR_CM_YG		0 ~ 254	Check Yellow Gain Value
1-12-21			0 ~ 254		Set White Hue Value (0 ~ 254)
		CF_CM_WH_%1	UP		Increase setting value (+1) from current setting
			DN		Decrease setting value (-1) from current setting
		CR_CM_WH		0 ~ 254	Check White Hue Value
1-12-22			0 ~ 254		Set White Saturant Value (0 ~ 254)
		CF_CM_WS_%1	UP		Increase setting value (+1) from current setting
			DN		Decrease setting value (-1) from current setting
		CR_CM_WS		0 ~ 254	Check White Saturant Value
1-12-23			0 ~ 254		Set White Gain Value (0 ~ 254)
		CF_CM_WG_%1	UP		Increase setting value (+1) from current setting
			DN		Decrease setting value (-1) from current setting
		CR_CM_WG		0 ~ 254	Check White Gain Value

1-12-24		CF_CMFDEFAULT_RST			Reset the value of HSG setting
1-13-1		CF_WPEAK_%1	0 ~ 100		Step value size is "10"
			UP		Increase setting value (+10) from current setting
		DN		Decrease setting value (-10) from current setting	
		CR_WPEAK		0 ~ 100	Check White Peaking Value
1-13-2		CF_GAMMA_%1	1		Video
			2		Film
			3		Bright
			4		CRT
			5		DICOM
		6		Gamma2.2	
		CR_GAMMA		1 ~ 6	Check Gamma setting
1-13-3		CF_COLTEMP	1		Warmest
			2		Warm
			3		Cool
		4		Bright	
		CR_COLTEMP		1 ~ 4	Check Color Temp setting
1-13-4		CF_COLORSPACE_%1	2		RGB
			3		REC709
			4		REC601
			5		RGB Video
		1		Auto	
		CR_COLORSPACE		1 ~ 5	Check Color Space setting
1-14-5-1		CF_GAIN_R_%1	000 ~ 100		Set Red Gain Value (0 ~ 100)
			UP		Increase setting value (+1) from current setting
		DN		Decrease setting value (-1) from current setting	
		CR_GAIN_R		0 ~ 100	Check Red Gain Value
1-14-5-2		CF_GAIN_G_%1	000 ~ 100		Set Green Gain Value (0 ~ 100)
			UP		Increase setting value (+1) from current setting
		DN		Decrease setting value (-1) from current setting	
		CR_GAIN_G		0 ~ 100	Check Green Gain Value
1-14-5-3		CF_GAIN_B_%1	000 ~ 100		Set Blue Gain Value (0 ~ 100)
			UP		Increase setting value (+1) from current setting
		DN		Decrease setting value (-1) from current setting	
		CR_GAIN_B		0 ~ 100	Check Blue Gain Value
1-14-5-4		CF_OFFSET_R_%1	000 ~ 100		Set Red Offset Value (0 ~ 100)
			UP		Increase setting value (+1) from current setting
		DN		Decrease setting value (-1) from current setting	
		CR_OFFSET_R		0 ~ 100	Check Red Offset Value
1-14-5-5		CF_OFFSET_G_%1	000 ~ 100		Set Green Offset Value (0 ~ 100)
			UP		Increase setting value (+1) from current setting
		DN		Decrease setting value (-1) from current setting	
		CR_OFFSET_G		0 ~ 100	Check Green Offset Value
1-14-5-6		CF_OFFSET_B_%1	000 ~ 100		Set Blue Offset Value (0 ~ 100)
			UP		Increase setting value (+1) from current setting
		DN		Decrease setting value (-1) from current setting	
		CR_OFFSET_B		0 ~ 100	Check Blue Offset Value
1-14-6		CF_GO_RST			Reset the value of Gain/Offset
1-14-7		CF_CENHANCE_%1	0 ~ 2		Set Color Enhance Value (0 ~ 2)
			UP		Increase setting value (+1) from current setting
		DN		Decrease setting value (-1) from current setting	
		CR_CENHANCE		0 ~ 2	Check Color Enhance setting
1-14-8		CF_CWSPEED_%1	1		2X
		2		3X	
		CR_CWSPEED		1 ~ 2	Check Color Wheel Speed setting
1-14-9		CF_FMODE_%1	0		Off
			1		On
		CR_FMODE		0 ~ 1	Check Film mode setting
1-14-10		CF_EXBLACK_%1	0		Off
			1		On
		CR_EXBLACK		0 ~ 1	Check Extreme Black setting
1-14-11		CF_DYNAMICBLACK_%1	0		Off
			1		On
		CR_DYNAMICBLACK		0 ~ 1	Check Dynamic Black setting
2-1	COF	CF_ASPECT_%1	1		Auto
			2		4:3
			3		16:9
			4		16:10
		5		Native	
		CR_ASPECT		1 ~ 4	CheckAspect Ratio setting
2-2		CF_OVERSCAN_%1	0		Off
			1		Zoom
		2		Crop	
		CR_OVERSCAN		0 ~ 2	Check Overscan setting
2-3		CF_DZOOM_H_%1	50 ~ 400		Set H Digital Zoom Value (50 ~ 400)
			UP		Increase setting value (+1) from current setting
		DN		Decrease setting value (-1) from current setting	
		CR_DZOOM_H		50 ~ 400	Check H Digital Zoom value

OUTPUT

2-4			50 ~ 400		Set V Digital Zoom Value (50 ~ 400)
		CF_DZOOM_V_%1	UP		Increase setting value (+1) from current setting
			DN		Decrease setting value (-1) from current setting
		CR_DZOOM_V		50 ~ 400	Check V Digital Zoom value
2-5			0 ~ 100		Set H Digital Shift Value (0 ~ 100)
		CF_DSHIFT_H_%1	UP		Increase setting value (+1) from current setting
			DN		Decrease setting value (-1) from current setting
		CR_DSHIFT_H		0 ~ 100	Check H Digital Shift value
2-6			0 ~ 100		Set V Digital Shift Value (0 ~ 100)
		CF_DSHIFT_V_%1	UP		Increase setting value (+1) from current setting
			DN		Decrease setting value (-1) from current setting
		CR_DSHIFT_V		0 ~ 100	Check V Digital Shift value
2-7-1			0		Off
		CF_PCMODE_%1	1		On
		CR_PCMODE		0~1	Check PC Mode setting
2-7-2			0 ~ 40		Set H Keystone Value (0 ~ 40)
	C90	CF_KYSTN_H_%1	UP		Increase setting value (+1) from current setting
	C91		DN		Decrease setting value (-1) from current setting
		CR_KYSTN_H			Check H Keystone value
2-7-3			0 ~ 40		Set V Keystone Value (0 ~ 40)
	C8E	CF_KYSTN_V_%1	UP		Increase setting value (+1) from current setting
	C8F		DN		Decrease setting value (-1) from current setting
		CR_KYSTN_V			Check V Keystone value
2-7-4			0 ~ 100		Set H Pincushion Value (0 ~ 100)
		CF_WARP_PB_H_%1	UP		Increase setting value (+1) from current setting
			DN		Decrease setting value (-1) from current setting
		CR_WARP_PB_H			Check H Pincushion value
2-7-5			0 ~ 100		Set V Pincushion Value (0 ~ 100)
		CF_WARP_PB_V_%1	UP		Increase setting value (+1) from current setting
			DN		Decrease setting value (-1) from current setting
		CR_WARP_PB_V			Check V Pincushion value
2-7-6-1			0 ~ 120		Set Top Left Corner X Value (0 ~ 120)
		CF_WARP_TLC_X_%1	UP		Increase setting value (+1) from current setting
			DN		Decrease setting value (-1) from current setting
		CR_WARP_TLC_X		0 ~ 120	Check Top Left Corner X Value setting
2-7-6-2			0 ~ 80		Set Top Left Corner Y Value (0 ~ 80)
		CF_WARP_TLC_Y_%1	UP		Increase setting value (+1) from current setting
			DN		Decrease setting value (-1) from current setting
		CR_WARP_TLC_Y		0 ~ 80	Check Top Left Corner Y Value setting
2-7-6-3			0 ~ 120		Set Top Right Corner X Value (0 ~ 120)
		CF_WARP_TRC_X_%1	UP		Increase setting value (+1) from current setting
			DN		Decrease setting value (-1) from current setting
		CR_WARP_TRC_X		0 ~ 120	Check Top Right Corner X Value setting
2-7-6-4			0 ~ 80		Set Top Right Corner Y Value (0 ~ 80)
		CF_WARP_TRC_Y_%1	UP		Increase setting value (+1) from current setting
			DN		Decrease setting value (-1) from current setting
		CR_WARP_TRC_Y		0 ~ 80	Check Top Right Corner Y Value setting
2-7-6-5			0 ~ 120		Set Bottom Left Corner X Value (0 ~ 120)
		CF_WARP_BLC_X_%1	UP		Increase setting value (+1) from current setting
			DN		Decrease setting value (-1) from current setting
		CR_WARP_BLC_X		0 ~ 120	Check Bottom Left Corner X Value setting
2-7-6-6			0 ~ 80		Set Bottom Left Corner Y Value (0 ~ 80)
		CF_WARP_BLC_Y_%1	UP		Increase setting value (+1) from current setting
			DN		Decrease setting value (-1) from current setting
		CR_WARP_BLC_Y		0 ~ 80	Check Bottom Left Corner Y Value setting
2-7-6-7			0 ~ 120		Set Bottom Right Corner X Value (0 ~ 120)
		CF_WARP_BRC_X_%1	UP		Increase setting value (+1) from current setting
			DN		Decrease setting value (-1) from current setting
		CR_WARP_BRC_X		0 ~ 120	Check Bottom Right Corner X Value setting
2-7-6-8			0 ~ 80		Set Bottom Right Corner Y Value (0 ~ 80)
		CF_WARP_BRC_Y_%1	UP		Increase setting value (+1) from current setting
			DN		Decrease setting value (-1) from current setting
		CR_WARP_BRC_Y		0 ~ 80	Check Bottom Right Corner Y Value setting
2-8-1			0		Off
		CF_PIPMODE_%1	1		On
		CR_PIPMODE			Check PIP/PBP Enable setting
2-8-2	C05		1		VGA
	C36		2		HDMI
	C38	CF_PIPMAININP_%1	3		DVI-D
	C52		4		HDBaseT
	C08		5		LAN
	CR1	CR_PIPMAININP		1 ~ 4	Check Main Source setting
2-8-3			1		VGA
			2		HDMI
		CF_PIPSUBINP_%1	3		DVI-D
			4		HDBaseT
			5		LAN
		CR_PIPSUBINP		1 ~ 4	Check Sub Source setting
2-8-4		CF_PIPSWAP			Execute PIP/PBP Swap

2-8-5		CF_PIPSIZE SUB_%1	1		Small	
			2		Medium	
			3		Large	
			CR_PIPSIZE SUB		1 ~ 3	Check PIP Size setting
	2-8-6		CF_PIPPOSITION_%1	1		PBP, Main Left
				2		PBP, Main Top
				3		PBP, Main Right
				4		PBP, Main Bottom
				5		PIP-Bottom Right
				6		PIP-Bottom Left
				7		PIP-Top Left
				8		PIP-Top Right
			CR_PIPPOSITION		1 ~ 13	Check Layout setting
	3-1		CF_LANG_%1	ENG		English
				FRA		French
				ESP		Spanish
				DEU		German
				ITA		Italian
				RUS		Russian
		SCH			Chinese Simplified	
		JPN			Japanese	
		KOR			Korean	
		POR			Portuguese	
		INA			Indonesian	
		NED			Dutch	
		ARA			Arabic	
			CR_LANG		ENG, FRA,	Check Language setting
3-2		CF_CEIL_%1	0		Off	
			1		On	
		2		Auto		
		CR_CEIL		0 ~ 2	Check Ceiling setting	
3-3		CF_REAR_%1	0		Off	
			1		On	
		CR_REAR		0 ~ 1	Check Rear setting	
3-4-1	C4B				Focus in - motor go step	
	C4D				Focus in - motor run	
	C4A				Focus out - motor go step	
	C4C				Focus out - motor run	
3-4-2	C46				Zoom in - motor go step	
	C48				Zoom in - motor run	
	C47				Zoom out - motor go step	
	C49				Zoom out - motor run	
3-4-3	C5D				Left shift up - motor go step	
	C63				Left shift up - motor run	
	C5E				Left shift down - motor go step	
	C64				Left shift down - motor run	
	C60				Left shift right - motor go step	
	C66				Left shift right - motor run	
	C5F				Left shift left - motor go step	
	C65				Left shift left - motor run	
3-4-4	C61				Execute Lens Calibration	
3-4-5		CF_LENSLOCK_%1	0		No	
			1		Yes	
		CR_LENSLOCK		0 ~ 1	Check Lens Lock setting	
3-5-1		CF_MENU TRANS_%1	0 ~ 9		Set Menu Transparency value (0 ~ 9)	
			CR_MENU TRANS		0 ~ 9	Check Menu Transparency setting
3-5-2		CF_DISP_%1	0		Off	
			1		On	
		CR_DISP		0 ~ 1	Check Show Messages setting	
3-6		CF_KEYLIGHT_%1	0		Off	
			1		On	
		CR_KEYLIGHT		0 ~ 1	Check Key Light setting	
3-7-1		CF_PJPINCODE_%1	00000 ~ 99999		Execute PIN Protect with code. (PIN Protect function is toggled.)	
3-7-2		CF_PJPINCODECHANGE_%1_%2	%1= Old PIN %2= New PIN (00000 ~ 99999)		Change PIN CODE setting (%1 = Current PIN Code, %2 = New PIN Code)	
3-8-1-1		CF_DHCP_%1	0		Off	
			1		On	
		CR_DHCP		0 ~ 1	Check LAN DHCP setting	
3-8-1-2		CF_IPADDRESS_%1	xxx.xxx.xxx.xxx		Set LAN IP Address	
			CR_IPADDRESS		xxx.xxx.xxx.xxx	Check LAN IP Address setting
3-8-1-3		CF_SUBNET_%1	xxx.xxx.xxx.xxx		Set LAN Subnet setting	
			CR_SUBNET		xxx.xxx.xxx.xxx	Check LAN Subnet setting
3-8-1-4		CF_GATEWAY_%1	xxx.xxx.xxx.xxx		Set LAN Gateway setting	
			CR_GATEWAY		xxx.xxx.xxx.xxx	Check LAN Gateway setting
3-8-1-5		CR_MACADDRESS		xx-xx-xx-xx-xx-xx	Check LAN MAC Address setting	
3-8-1-6		CF_LANSETAPPLY			Save LAN setting	
3-8-2-1		CF_WLAN_%1			Set WLAN Enable	
3-8-2-2		CF_WLAN_STARTIP_%1	xxx.xxx.xxx.xxx		Set WLAN Start IP Address	
			CR_WLAN_STARTIP		xxx.xxx.xxx.xxx	Check WLAN Start IP Address setting

SETUP

3-8-2-3		CF_WLAN_ENDIP_%1	xxx.xxx.xxx.xxx		Set WLAN End IP Address
		CR_WLAN_ENDIP		xxx.xxx.xxx.xxx	Check WLAN End IP Address setting
3-8-2-4		CF_WLAN_SUBNET_%1	xxx.xxx.xxx.xxx		Set WLAN Subnet setting
		CR_WLAN_SUBNET		xxx.xxx.xxx.xxx	Check WLAN Subnet setting
3-8-2-5		CF_WLAN_GATEWAY_%1	xxx.xxx.xxx.xxx		Set WLAN Gateway setting
		CR_WLAN_GATEWAY		xxx.xxx.xxx.xxx	Check WLAN Gateway setting
3-8-2-6		CR_WLAN_MACADDRESS		xx-xx-xx-xx-xx-xx	Check WLAN MAC Address setting
3-8-2-7		CR_WLAN_SSID			Check WLAN SSID setting
3-8-3		CR_NET_PJNAME			Check Network PJ Name setting
3-8-4		CF_NET_RESET			Restart Network
3-8-5		CF_NET_FACTORY_RESET			Factory Reset Network setting
3-8-6		CF_BAUDRATE_%1	1		9600
			2		14400
			3		19200
			4		38400
			5		57600
			6		115200
		CR_BAUDRATE		1 ~ 6	Check Serial Port Baud Rate setting
3-8-7		CF_SERIALPATH_%1	1		RS232
			2		HDBaseT
		CR_SERIALPATH		1 ~ 2	Check Serial Port Path setting
3-8-8		CF_PJIRADDRESS_%1	0 ~ 9		Set Projector Address
		CR_PJIRADDRESS		0 ~ 9	Check Projector Address setting
4-1		CF_AUTOSRC_%1	0		Off
			1		On
		CR_AUTOSRC		0 ~ 1	Check Auto Source setting
4-2		CF_ALTITUDE_%1	0		Off
			1		On
		CR_ALTITUDE		0 ~ 1	Check High Altitude setting
4-3		CF_TESTPAT_%1	0		Off
			1		Grid
			2		Red
			3		Green
			4		Blue
			5		Yellow
			6		Magenta
			7		Cyan
			8		White
			9		Black
		CR_TESTPAT		0 ~ 9	Check Test Pattern setting
4-4		CF_BACKGND_%1	1		Logo
			2		Blue
			3		Black
			4		White
		CR_BACKGND		1 ~ 4	Check Background color setting
4-5		CF_HOTKEY_%1	1		Blank Screen
			2		Aspect Ratio
			3		Freeze Screen
			4		Overscan
		CR_HOTKEY		1 ~ 4	Check Hot-Key setting
4-6-1		CF_ECONETWORK_%1	1		0.5W mode
			0		Communication mode
		CR_ECONETWORK		0 ~ 1	Check Stand-by Network setting
4-6-2	C29	CF_AUTOPOWERON	0		Off
	C28		1		On
		CR_AUTOPOWERON		0 ~ 1	Check Direct Power On setting
4-6-3		CF_AUTOPOWEROFF_%1	0		No
			1		5 Mins
			2		10 Mins
			3		15 Mins
			4		20 Mins
			5		25 Mins
			6		30 Mins
		CR_AUTOPOWEROFF		0 ~ 6	Check Auto Power Off setting
4-6-4		CF_SLEEP_%1	0		No
			1		2 Hours
			2		4 Hours
			3		6 Hours
		CR_SLEEP		0 ~ 3	Check Sleep Timer setting
4-7-1		CF_AUTOLAMPCONTROL_%1	2		Constant Power
			3		Constant Luminance
			1		Eco Mode
		CR_AUTOLAMPCONTRTOL			Check Light Source Mode setting
4-7-2		CF_LAMPPOWER_%1	0 ~ 99		Set Constant Power Settings Value (0 ~ 99)
		CR_LAMPPOWER		0 ~ 99	Check Constant Power Settings Value
4-7-3		CF_LAMPLUMINANCE_%a	0 ~ 99		Set Constant Luminance Settings Value (0 ~ 99)
		CR_LAMPLUMINANCE		0 ~ 99	Check Constant Luminance Settings Value
4-7-4		CR_PJTIME			Check Total Projector Hours
4-8-1		CF_LIGHTSENSCALI			Execute Light Sensor Calibration

OPTION

4-8-2		CR_LIGHTSENSCALI		0 ~ 1	Check Light Sensor Calibration is done 0 = No 1 = Yes
4-9-1		CR_MODELNAME			Check Model Name
4-9-2		CR_SERIALNO			Check Serial Number
4-9-3		CR_NRESOLUTION			Check Native Resolution
4-9-4		CR_SWVER			Check Software Version
4-9-5	CR1				Check Main Input source
4-9-6		CR_RESOLUTION			Check Main Resolution
4-9-7		CR_SYSTEM			Check Main Signal Format
4-9-8		CR_PIXELCLK			Check Main Pixel Clock
4-9-9		CR_REFRESH		%1 %2	Check Main H/V Refresh Rate
4-9-10				(%1 = H freq. %2 = V freq.)	
4-9-11		CR_PIPSUBINP			Check Sub Input source
4-9-12		CR_SUB_RESOLUTION			Check Sub Resolution
4-9-13		CR_SUB_SYSTEM			Check Sub Signal Format
4-9-14		CR_SUB_PIXELCLK			Check Sub Pixel Clock
4-9-15		CR_SUB_REFRESH		%1 %2	Check Sub H/V Refresh Rate
4-9-16				(%1 = H freq. %2 = V freq.)	
4-9-17		CR_AUTOLAMPCONTROL			Check Light Source Mode
4-9-18		CR_PJTIME			Check Total Projector Hours
4-9-19		CR_ECONETWORK			Check Stand-by Network setting
4-9-20		CR_IPADDRESS			Check LAN IP Address setting
4-9-21		CR_DHCP			Check LAN DHCP setting
4-9-22		CF_FACTORY_RESET			Execute Factory Reset

Other	A-1	C00			Power On
	A-2	C01			Power Off
	A-3	C0D			Shutter Close
	A-4	C0E			Shutter Open
	A-5	C43			Freeze On
	A-6	C44			Freeze Off
	A-7	CR0			Projector Status 1 = Stand-by 2 = Warming Up 4 = Searching Source 7 = Display Source 12 = Cooling
	A-8		CR_ALLPFAIL		

Remote Control Button	B-1	C00			Power ON
	B-2	C02			POWER OFF
	B-3		CF_KYBTN1		1
	B-4		CF_KYBTN2		2
	B-5		CF_KYBTN3		3
	B-6		CF_KYBTN4		4
	B-7		CF_KYBTN5		5
	B-8		CF_KYBTN6		6
	B-9		CF_KYBTN7		7
	B-10		CF_KYBTN8		8
	B-11		CF_KYBTN9		9
	B-12		CF_KYINFO		Info
	B-13		CF_KYBTN0		0
	B-14	C27			Mode
	B-15	C89			Auto
	B-16		CF_KYSRC		Source
	B-17	C3C			Up
	B-18	C3B			Left
	B-19	C3F			Enter
	B-20	C3A			Right
	B-21	C3D			Down
	B-22	C1C			Menu
	B-23		CF_KYEXIT		Exit
	B-24		CF_KYGAMMA		Gamma
	B-25		CF_KYBRIGHT		Bright
	B-26		CF_KYCONT		Cont.
	B-27		CF_KYPIP		PIP
	B-28	C5F			Lens H (Left)
	B-29	C60			Lens H (Right)
	B-30	C4A			Focus (Up)
	B-31	C5D			Lens V (Up)
	B-32	C5E			Lens V (Down)
	B-33	C4B			Focus (Down)
	B-34	C91			Keystone H (Left)
	B-35	C90			Keystone H (Right)
	B-36	C46			Zoom (Up)
	B-37	C8E			Keystone V (Up)
	B-38	C8F			Keystone V (Down)
	B-39	C47			Zoom (Down)
	B-40		CF_KYSHUTTER		Shutter (AV Mute)
	B-41		CF_KYHOTKEY		Hot Key
	B-42		CF_KYTESTPAT		Pattern