

6,000 Lumens · WUXGA · 3LCD · 10,000:1 Contrast
1.29~2.11:1 Throw:Width Lens

EK-308UA

Meeting Room Series Projector



Key Features

- 6,000 center lumens bright with 80% uniformity and a 10,000:1 contrast ratio.
- Native WUXGA resolution. Compatible with inputs up-to UXGA and WUXGA.
- Supports analog and digital video input in all color standards up-to 1080p.
- HDMI with MHL (Mobile High-Def Link) displays HD Video from smartphones & tablets
- Convenient mid-range (1.6:1) manual zoom and focus lens.
- Horizontal, Vertical & Corner Keystone Correction.
- Horizontal & Vertical manual lens shift.
- Built-in 10 Watt amplifier and speaker system. Closed Caption decoding.
- Side-accessed air filter & top accessed lamp for ease of maintenance.
- Wired network control and monitoring.
- Compatible with Crestron RoomView™ & AMX Device Discovery Technology.



EIKI



CRESTRON
RoomView
connected

EK-308UA

WUXGA 3LCD Portable Projector



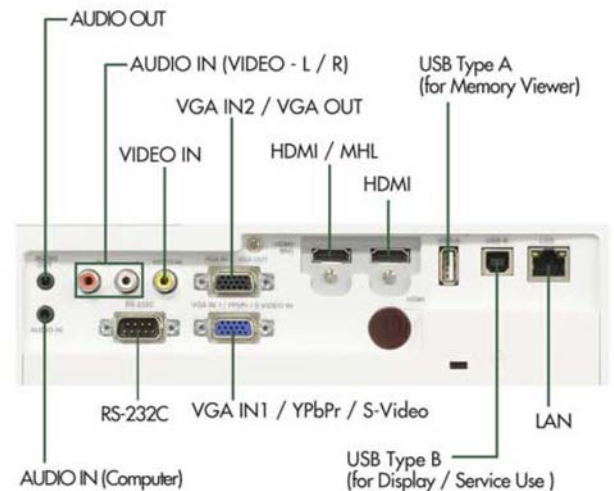
• Specifications

| | | |
|---------------------------------|--|-------------------------------------|
| Model | EK-308UA | |
| Display Type | 0.64" 3LCD | |
| Resolution | WUXGA (1920 x 1200) | |
| Aspect Ratio | 16:10 | |
| Brightness (Center Lumens) | 6,000 lumens | |
| Contrast Ratio | 10,000:1 | |
| Projection Lamp | 300 Watts | |
| Est. Lamp Life (Eco / Normal) | 4,000 / 3,000 hours | |
| Image Diagonal | 30-300" | |
| Lens (F Value / Focal Length) | f: 1.6-1.9; FL: 0.7-1.15 in (17.8-29.1 mm) | |
| Zoom Ratio | Manual x 1.6 | |
| Throw Distance | 2.23-37.5 ft (0.68-11.43 m) | |
| Throw:Width Ratio | 1.29-2.11:1 | |
| Lens Shift | V: +/- 45% H: +/- 9% (Manual) | |
| Keystone Correction | V: +/- 30° H: +/- 15°, Corner Keystone | |
| Projection Elevation Adjustment | up-to 10° | |
| Scanning Frequency | H Sync. 15-100 KHz, V Sync. 48-85 Hz | |
| Dot Clock | up-to 150 MHz | |
| Input Signals - Computer | WUXGA (1920 x 1200) - VGA (640 x 480) | |
| Input Signals - Video | 1080 i/p, 720 p, 576 i/p, 480 i/p | |
| Terminal | HDMI In | HDMI x 2 (1 HDMI supports MHL) |
| | VGA In | Dsub15 x 2 |
| | Video In | RCA x 1 |
| | USB | USB Type A x 1 (Memory Viewer) |
| | | USB Type B x 2 (Display / Firmware) |
| | VGA Out | Dsub15 x 1 (shared with VGA IN 2) |
| | Audio In | RCA x 2 (L/R), 3.5mm MiniStereo x 1 |
| | Audio Out | 3.5mm MiniStereo x 1 |
| | LAN | RJ45 x 1 |
| RS-232C | Dsub9 x 1 | |
| Built-in Speaker | Mono 10 Watt | |
| Fan Noise (Eco / Normal) | 35.9 dB / 40.9 dB | |
| Dimensions (W x H x D) | 15.5 x 5.0 x 12.5 in (39.5 x 12.8 x 31.8 cm) | |
| Weight | 9.9 lb (4.5 kg) | |
| Power Requirements | 100-240V AC, 50/60 Hz | |
| Power Consumption | 0.5 W in Eco Standby mode, up-to 420 W | |
| Thermal Dissipation | up-to 1,433 BTU | |
| Standard Accessories | Detachable AC Power Cord, HDMI Cable, Quick Start Guide, Remote Control (with 2 x AAA Batteries) | |

• Dimensions



• Terminals



• Lens Specs

1.6X Manual Zoom and Focus Lens
 f: 1.6-1.9; FL: 0.70-1.145 in (17.8-29.1 mm)
 Throw to Width: 1.29-2.11:1

Distance Chart

| | | Screen Width (feet) | | | | |
|-----------------------|------|---------------------|------|------|------|------|
| | | 4 | 6 | 8 | 10 | 12 |
| Throw Distance (feet) | Wide | 5.2 | 7.7 | 10.3 | 12.9 | 15.5 |
| | Tele | 8.4 | 12.7 | 16.9 | 21.1 | 25.3 |

Eiki International, Inc.

22552 Avenida Empresa, Rancho Santa Margarita, CA 92688
 Phone: 800-242-3454 · Email: usa@eiki.com · Web: www.eiki.com

Specifications subject to change without notice.

EIKI® is a registered trademark of EIKI International, Inc.

3LCD and 3LCD Logo are registered trademark of Seiko Epson Corporation.

HDMI® is a registered trademark of HDMI Licensing LLC.

Crestron Roomview™ is a registered trademark of Crestron Electronics, Inc

©2022 Eiki International, Inc.

2022/09-V1 GW