

Contents:

Figure 1 - Pump Side View.....	2	Figure 9 - Shroud Details - Left of Motor	4
Figure 2 - Pump Front View (shroud removed).....	2	Figure 10 - Shroud Details - Right of Motor	4
Figure 3 - Relief Valve.....	2	Figure 11 - Top View - Cord and Cables.....	5
Figure 4 - Pump Bottom View	2	Figure 12 - Electrical Schematic, 110V Pumps.....	6
Figure 5 - Pump Front View (shroud installed)	3	Figure 13 - Electrical Schematic, 220V Pumps.....	7
Figure 6 - Pump Top View (shroud removed).....	3	Figure 14 - Wiring Diagram, Motor and Thermostat.....	8
Figure 7 - Shroud Details - Behind Motor	4	Figure 15 - Foot Switch Assembly	8
Figure 8 - Shroud Details - Front of Motor	4	Figure 16 - Poppet Valve Assembly	9

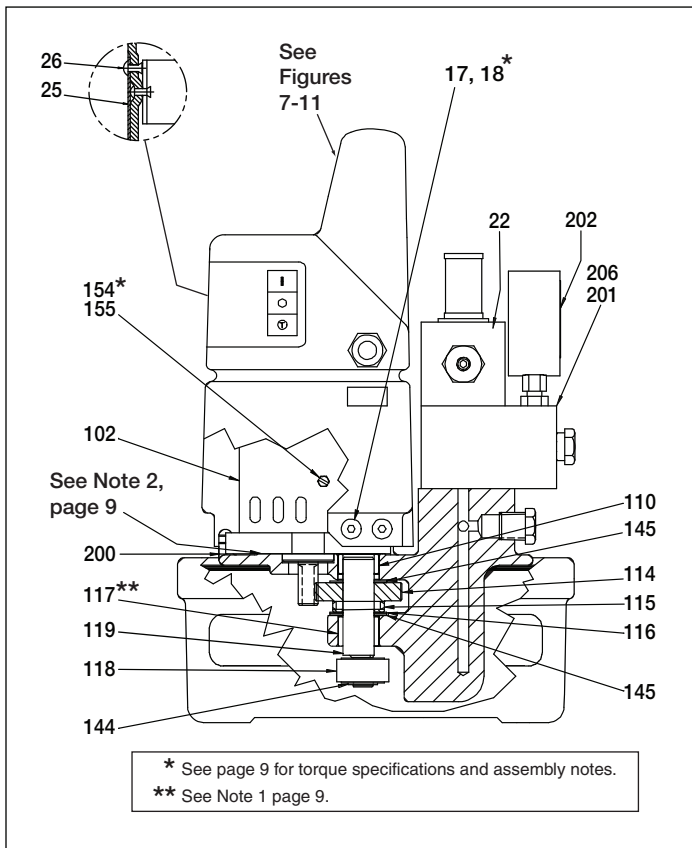


Figure 1, Pump Side View

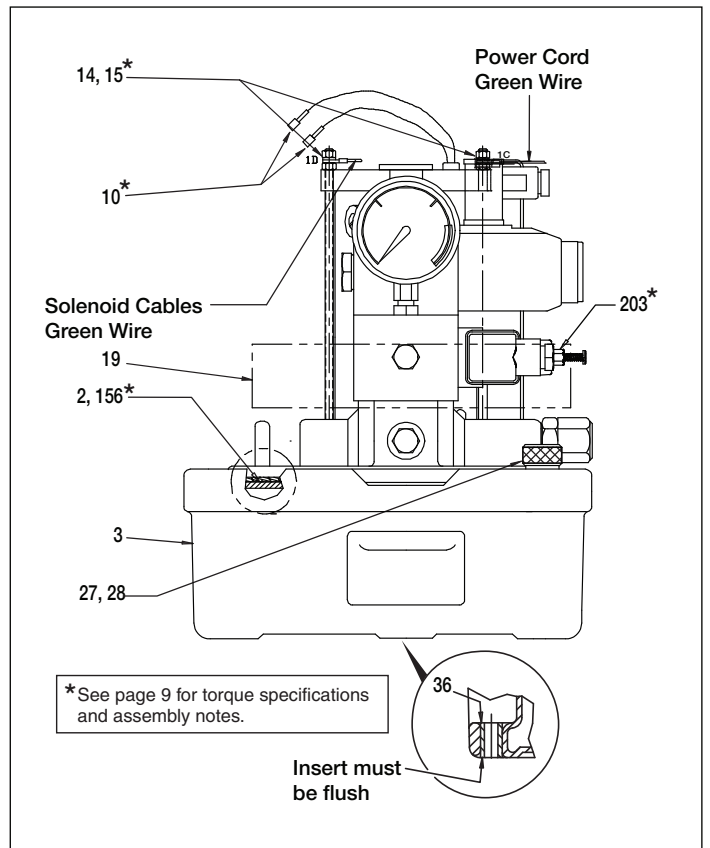


Figure 2, Pump Front View (shroud removed)

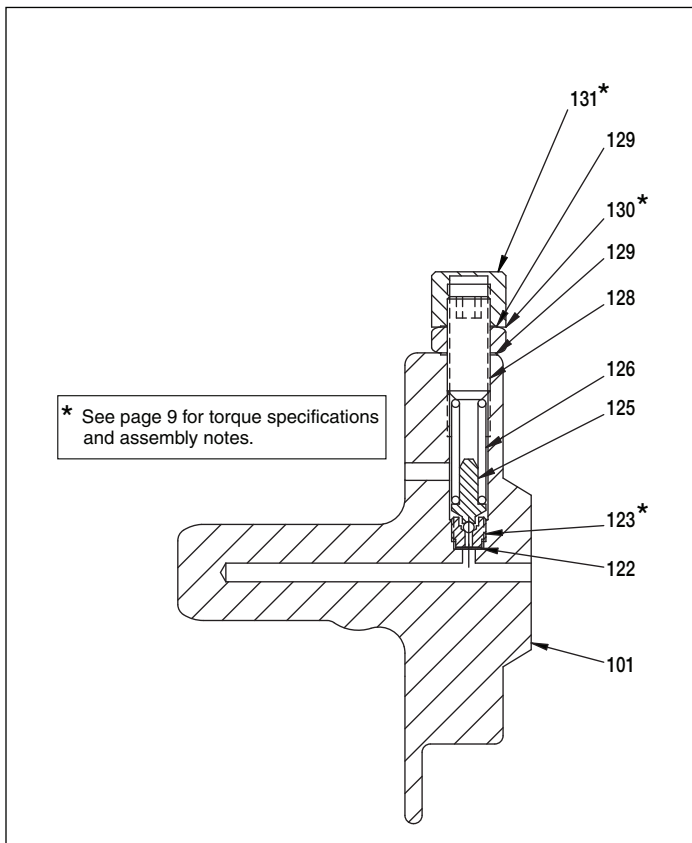


Figure 3, Relief Valve - User Adjustable

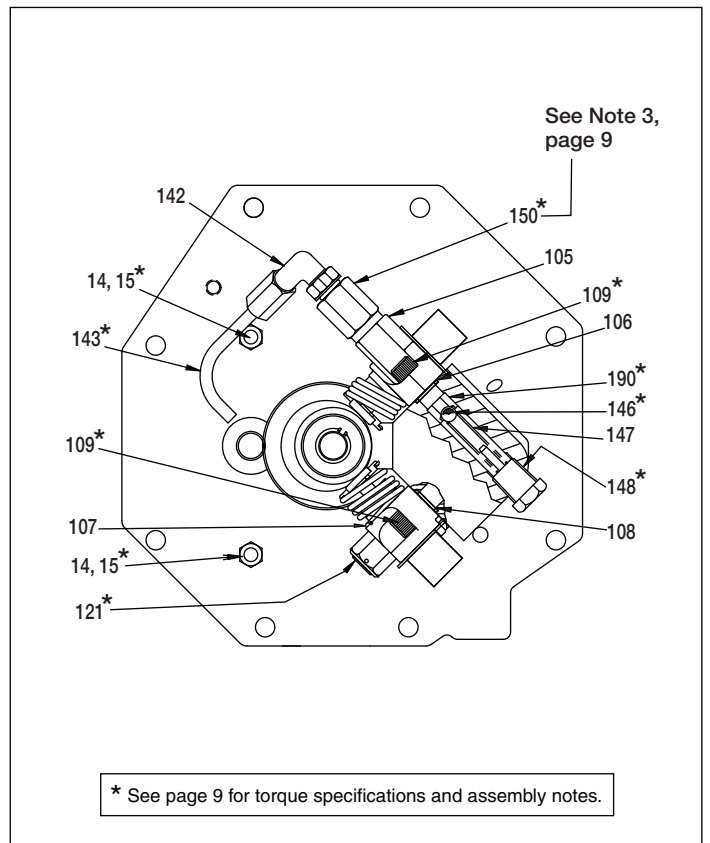


Figure 4, Pump Bottom View

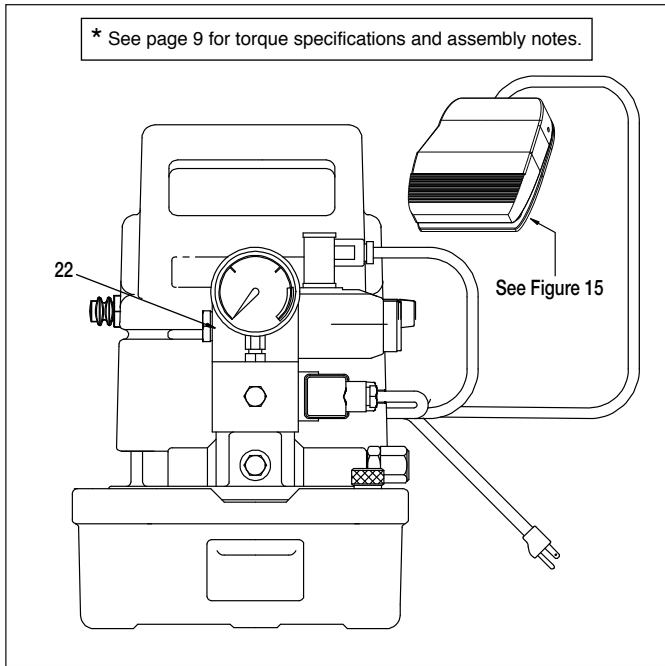


Figure 5, Pump Front View (shroud installed)

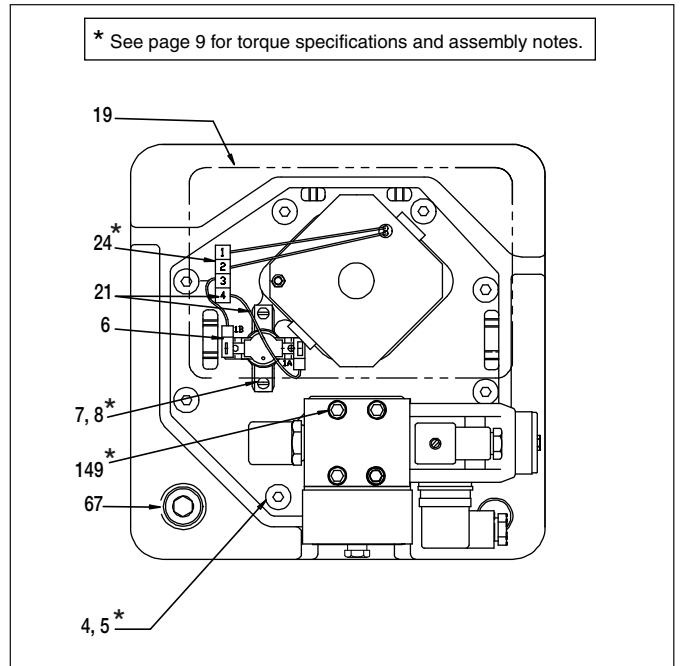


Figure 6, Pump Top View (shroud removed)

Repair Parts List for Figures 1 through 6

Item	Part Number	Qty.	Description	Item	Part Number	Qty.	Description
2	★ DA12088167SR	1	Gasket (Includes item 156)	117	CW251107	1	Bearing
3	DA1910900SR	1	Reservoir Assembly. 0.5 Gal.	118	CW302107	1	Bearing
	DA4780900SR		Reservoir Assembly. 1.0 Gal.	119	CW303104	1	Shaft
4	DA6954167	8	Gasket	121	U072286900SR	1	Safety Relief Valve
5	U112266048	8	Screw	122	★ C846037	1	Gasket
6	E1100004	1	Thermostat, 115V	123	★ DA5771290	1	Seat
	DC8401372	1	Thermostat, 230V	125	DC1316900SR	1	Ball Guide Assembly
7	C701222	2	Washer	126	★ A109164	1	Compression Spring
8	M642028	2	Screw	128	DA252028	1	Adjusting Screw
10	DA3776006	2	Pin	129	★ S1167	2	Gasket
14	DA15066	3	Lock Washer	130	CW306055	1	Lock Nut
15	B1018121	3	Hex Nut	131	CW307055	1	Cap Nut
17	CW261225	6	Eyelet	142	DA1011096	1	Elbow
18	F866028	6	Machine Screw	143	DA261268	1	Tube
19	CW259298	1	Baffle	144	★ CW467044	1	Retaining Ring
21	DC7969960	2	Assembly, Wire	145	★ DA445107	2	Bearing
22	VSG2310P	1	115V Poppet Valve Ass'y	146	★ B1007016	1	Ball
	VSG3510P	1	220V Poppet Valve Ass'y	147	★ DA1564110	1	Spring
24	DA11540380	1	Pin Housing	148	DC433950	1	Plug Assembly
25	Contact Enerpac	1	Nameplate	149	DD1086028	4	Cap Screw 1/4-28
26	DC818003	4	Snap Rivet	150	DA610900SR	1	Relief Valve Assy, First Stage
27	DA608024	1	Vent Plug	154	CU876028	3	Screw (10-24)
28	★ B1906503	1	O-Ring	155	DA3585186	3	Spacer
36	DA931225	2	Insert	156	(order item 2)	1	Gasket
67	A1009245	2	Plug	190	DA12352290	1	Ball Seat
101	DA12490840SR	1	Pump Manifold (includes # 121)	200	★ DC1947167	1	Gasket, Motor
102	CW179259	1	115 VAC Motor	201	B1011803	2	O-Ring
	DC1415259	1	220 VAC Motor (50 Hz)	202	G2517SL	1	Gauge, Pressure
105	DD1449051SR	1	.53 Piston Block Assembly	203	U112266372	1	Switch, Pressure
106	★ B1007503	1	O-Ring	206	U112266190	1	Valve Body
107	DD1450051SR	1	.24 Piston Block Assembly				
108	★ B1012803	1	O-Ring	Replacement Brushes for Electric Motor			
109	B1016028	4	Screw, Socket Head	---	DA9655380	1	Brush Set for 115V Models
110	CW252107	1	Bearing	---	DA9656380	1	Brush Set for 220V Models
114	CW301228	1	Driven Gear				
115	★ B1097057	1	Spring Pin				
116	★ CW199107	1	Bearing				

★ Included in Repair Kit PUD1100BK.

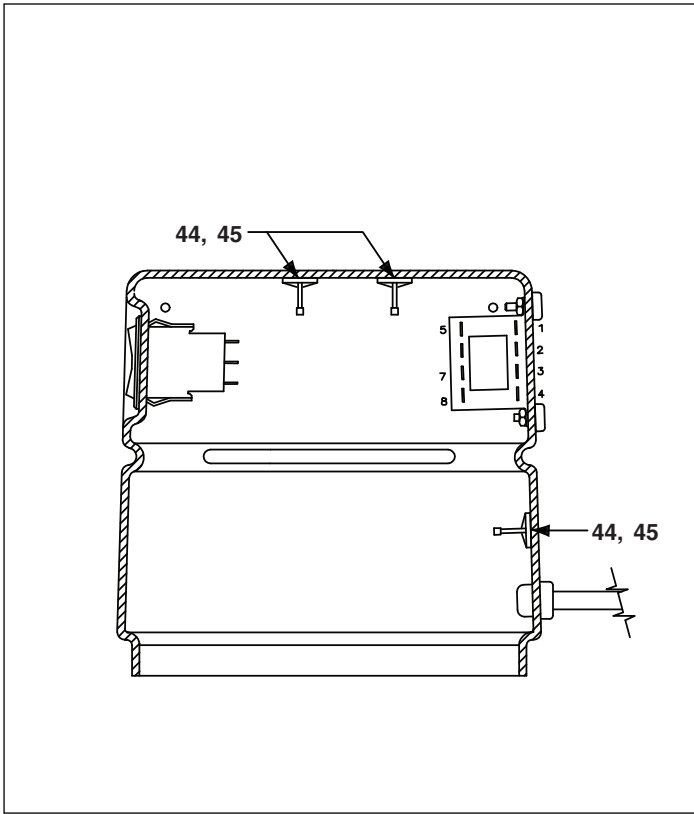


Figure 7, Shroud Details - Behind Motor

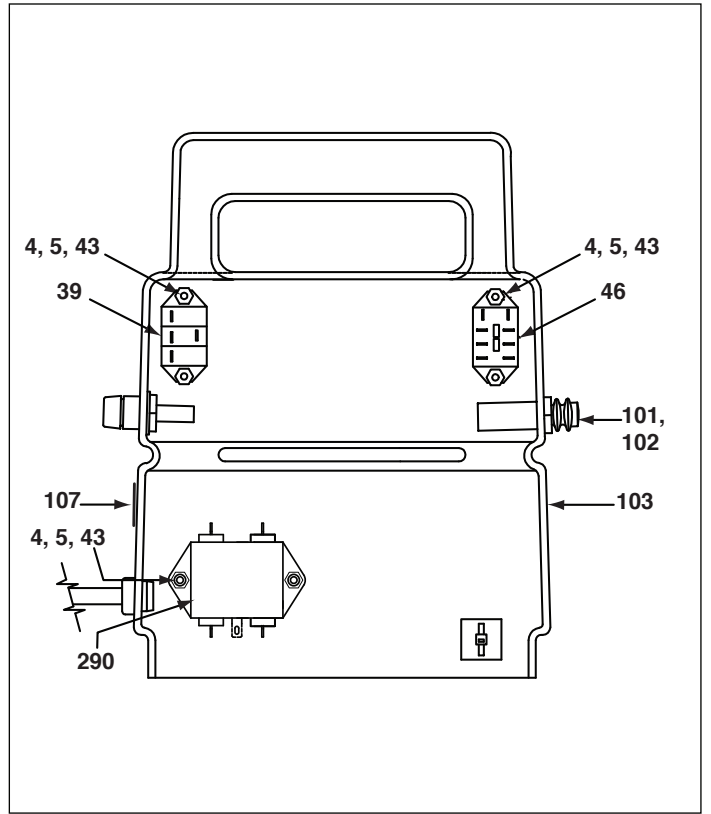


Figure 8, Shroud Details - Front of Motor

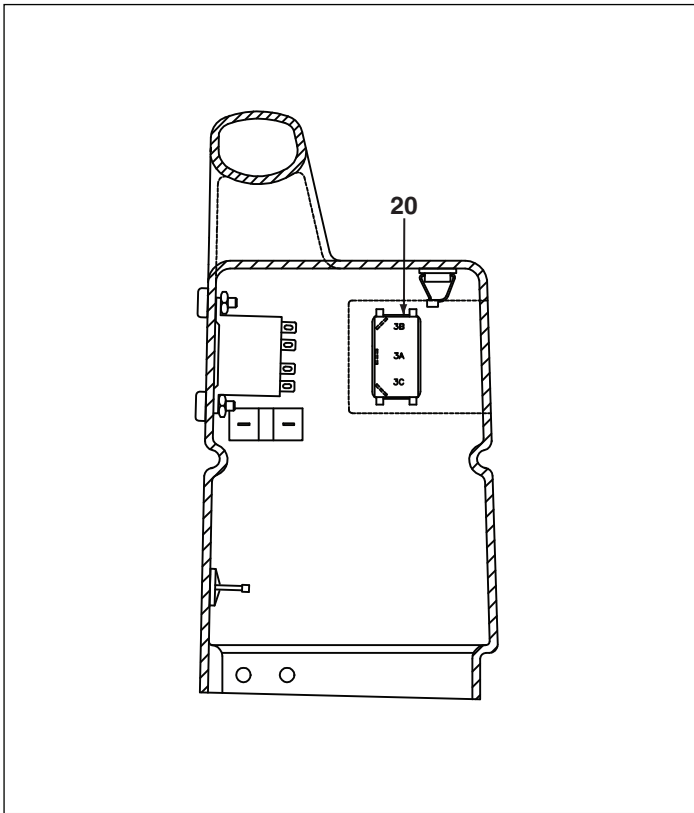


Figure 9, Shroud Details - Left of Motor

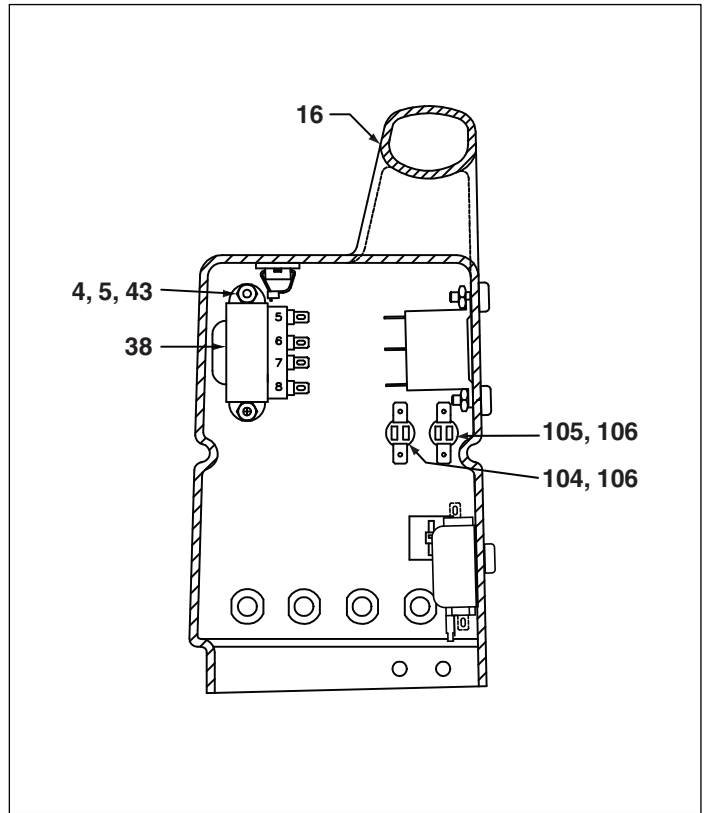


Figure 10, Shroud Details - Right of Motor

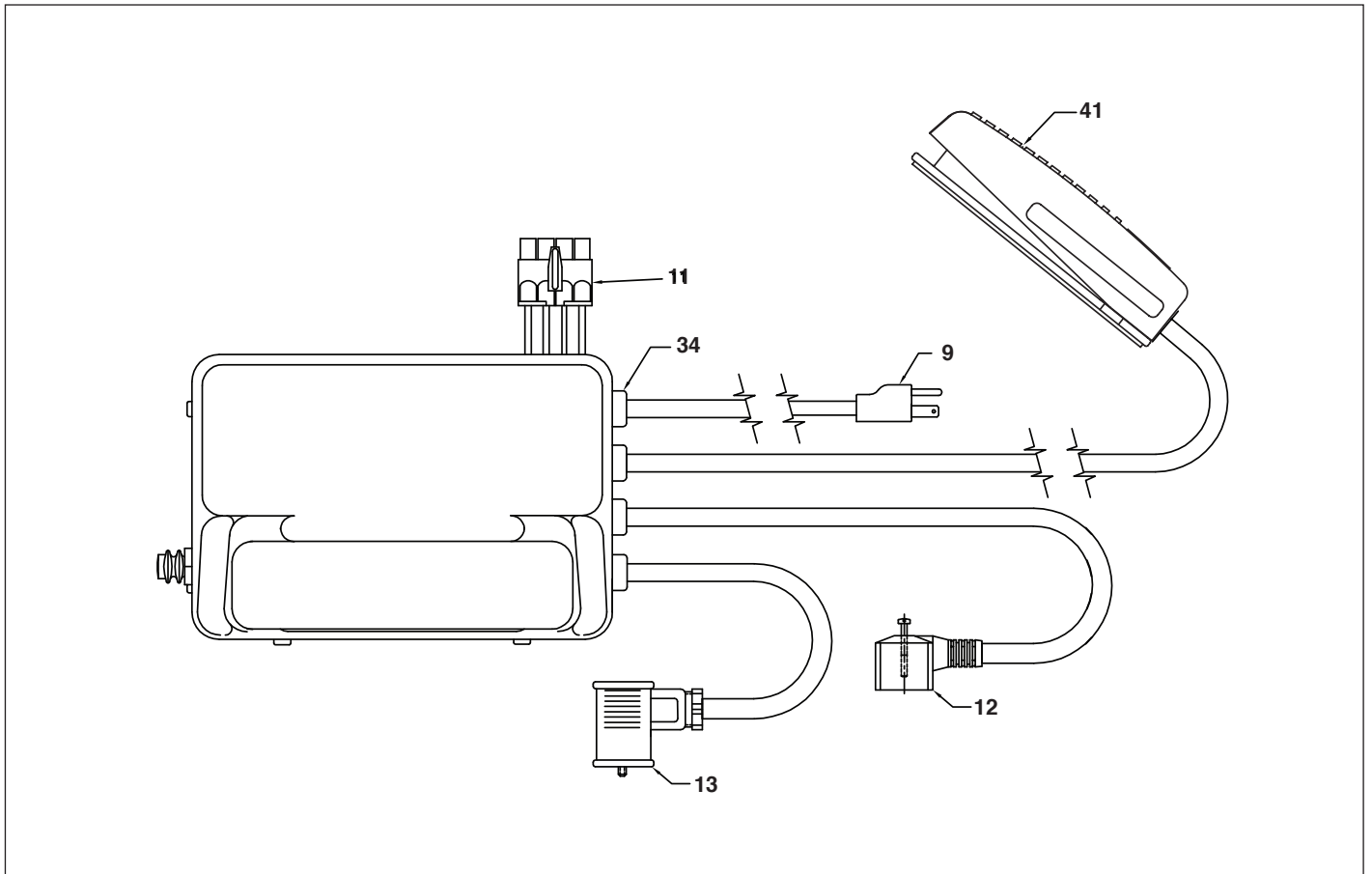
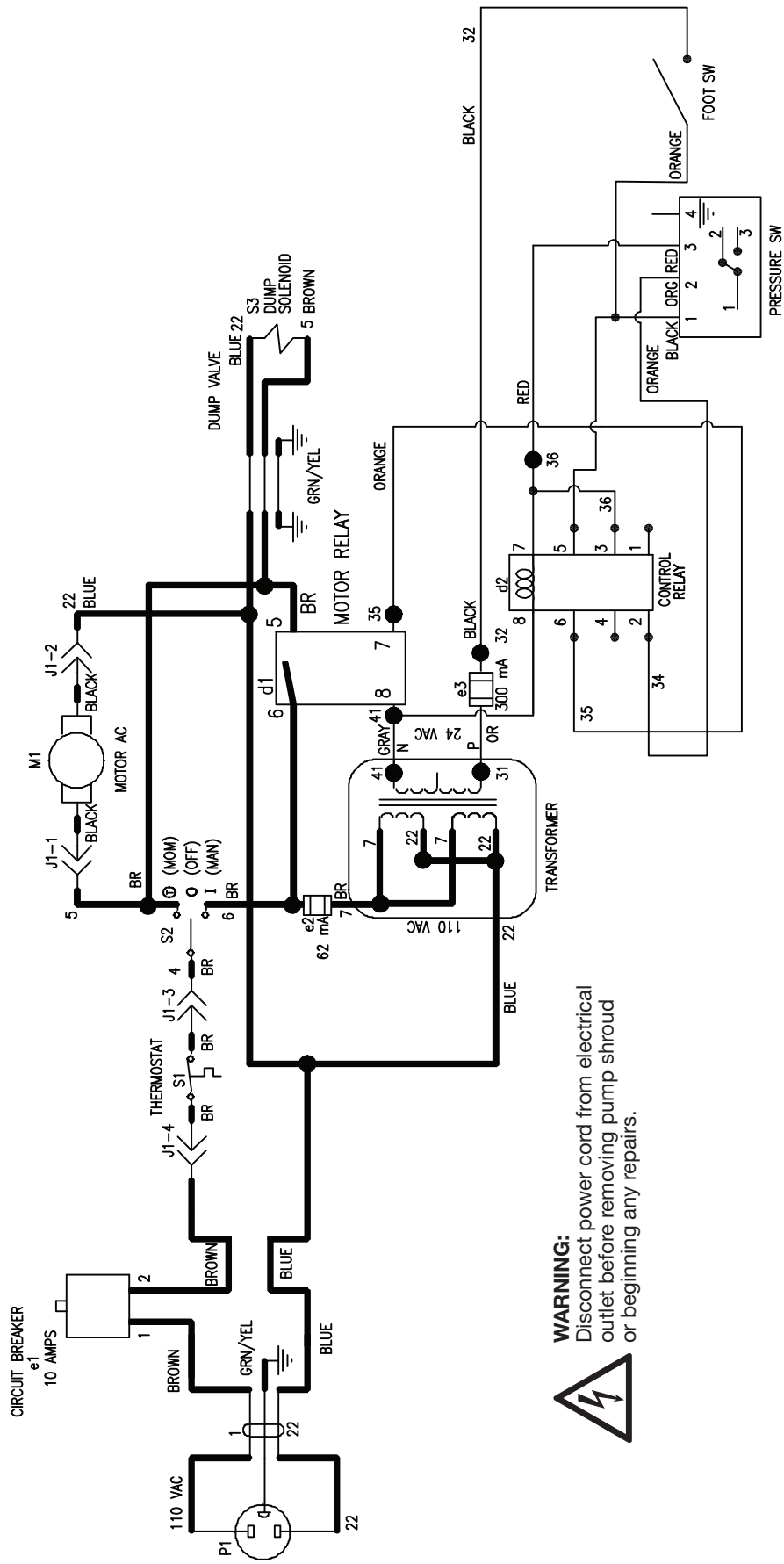


Figure 11, Top View, Cord and Cables

Repair Parts List for Figures 7 through 11

Item	Part Number	Qty.	Description	Item	Part Number	Qty.	Description
4	BC1310728	6	Screw (115V)	41	U112266218	1	Foot Switch (See Fig. 15)
	BC1310728	8	Screw (220V)	43	DA5974098	6	Screw Cover (115V)
5	F75021	6	Lock Nut #6-32 (115V)		DA5974098	8	Screw Cover (220V)
	F75021	8	Lock Nut #6-32 (220V)	44	EHC3901075	A/R	Tie Down, Self Adhesive
9	DC7954960	1	Power Cord, 115V	45	DA3131217	4	Cable Tie
	DC10008960	1	Power Cord, 220V	46	DD1163380	1	Relay, Control
11	DA11539380	1	Receptacle	101	DC8366380	1	Circuit Breaker (115V)
12	DD1093960	1	Cable, Pressure Switch		DC8367380	1	Circuit Breaker (220V)
13	DC7911960SR	1	Cable, Valve Solenoid	102	DC8200380	1	Circuit Breaker Reset Cap
16	U112266900-115	1	Shroud, Red (115V)	103	DC8237023	1	Circuit Breaker Decal
	U112266900-220	1	Shroud, Red (220V)	104	DC8371378	1	Secondary Fuse, 300mA
20	E1500002	1	Switch	105	DC8370378	1	Primary Fuse, 62mA (115V)
34	CR759291	4	Cord Bushing		DC8400378	1	Primary Fuse, 40mA (220V)
38	DA5875380	1	Transformer	106	DC8372378	2	Fuse Holder
39	E1300008	1	Relay, Motor (115V)	107	DC7891026	1	Fuse Decal
	DC8280980	1	Relay, Motor (220V)	290	DC8365380	1	EMI Filter (220V only)

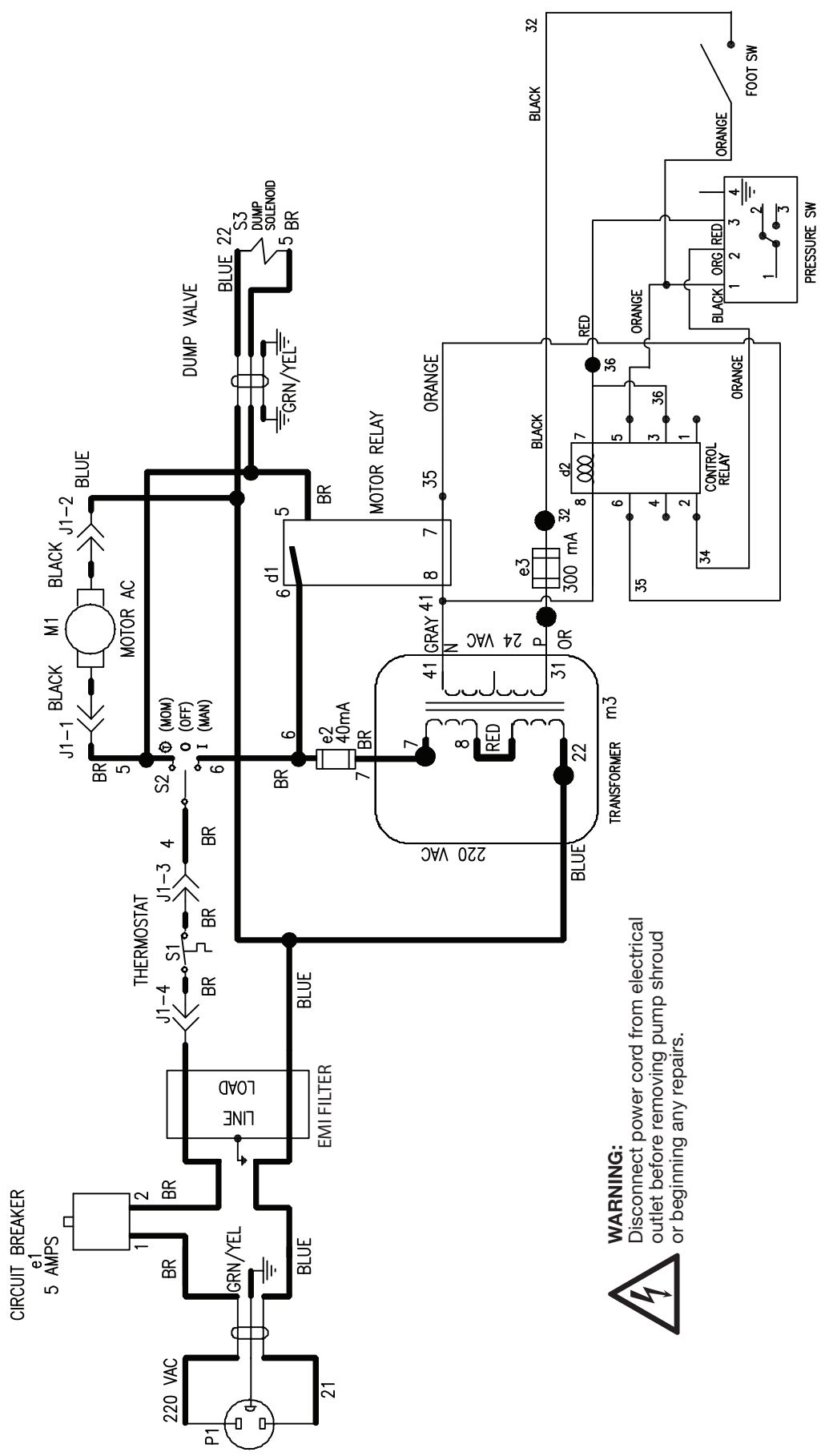
Note: For replacement shroud assembly, order Repair Kit DD1087900 (115V) or DD1088900SR (220V). A/R = As Required.



WARNING: Disconnect power cord from electrical outlet before removing pump shroud or beginning any repairs.



Figure 12, Electrical Schematic, Pump Models WUD1100BU100 and WUD1101BU100 (110 VAC)



WARNING:
 Disconnect power cord from electrical outlet before removing pump shroud or beginning any repairs.



Figure 13, Electrical Schematic, Pump Models WUD1100EU100 and WUD1101EU100 (220 VAC)

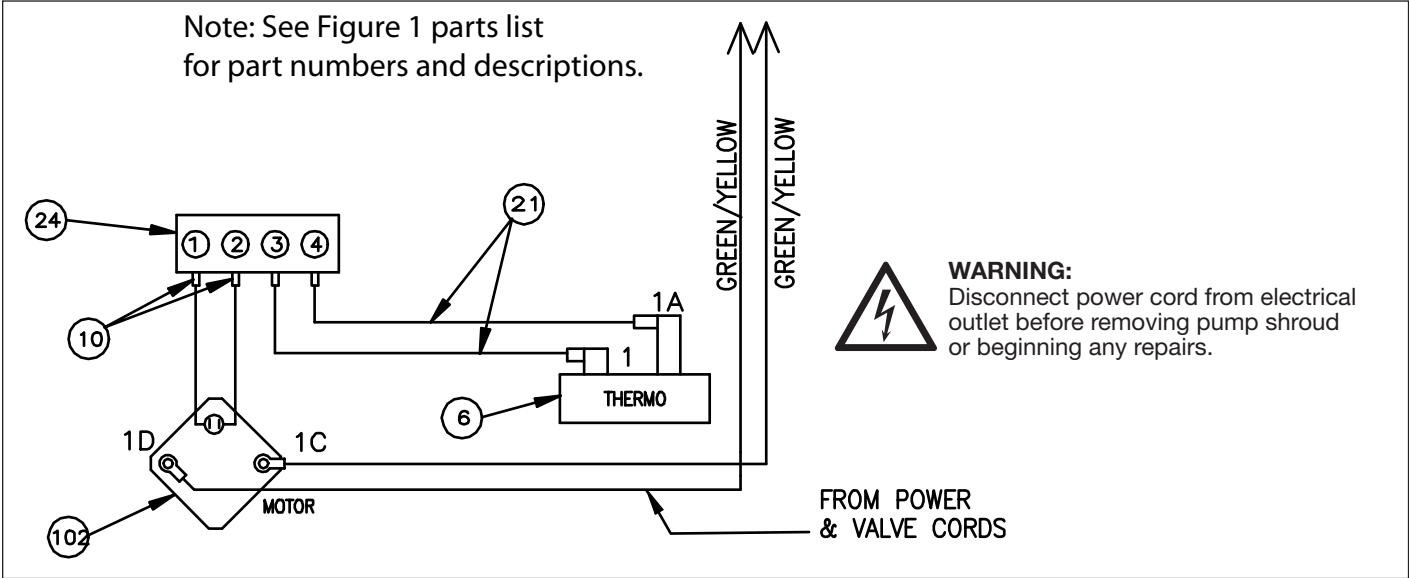


Figure 14, Wiring Diagram, Motor and Thermostat

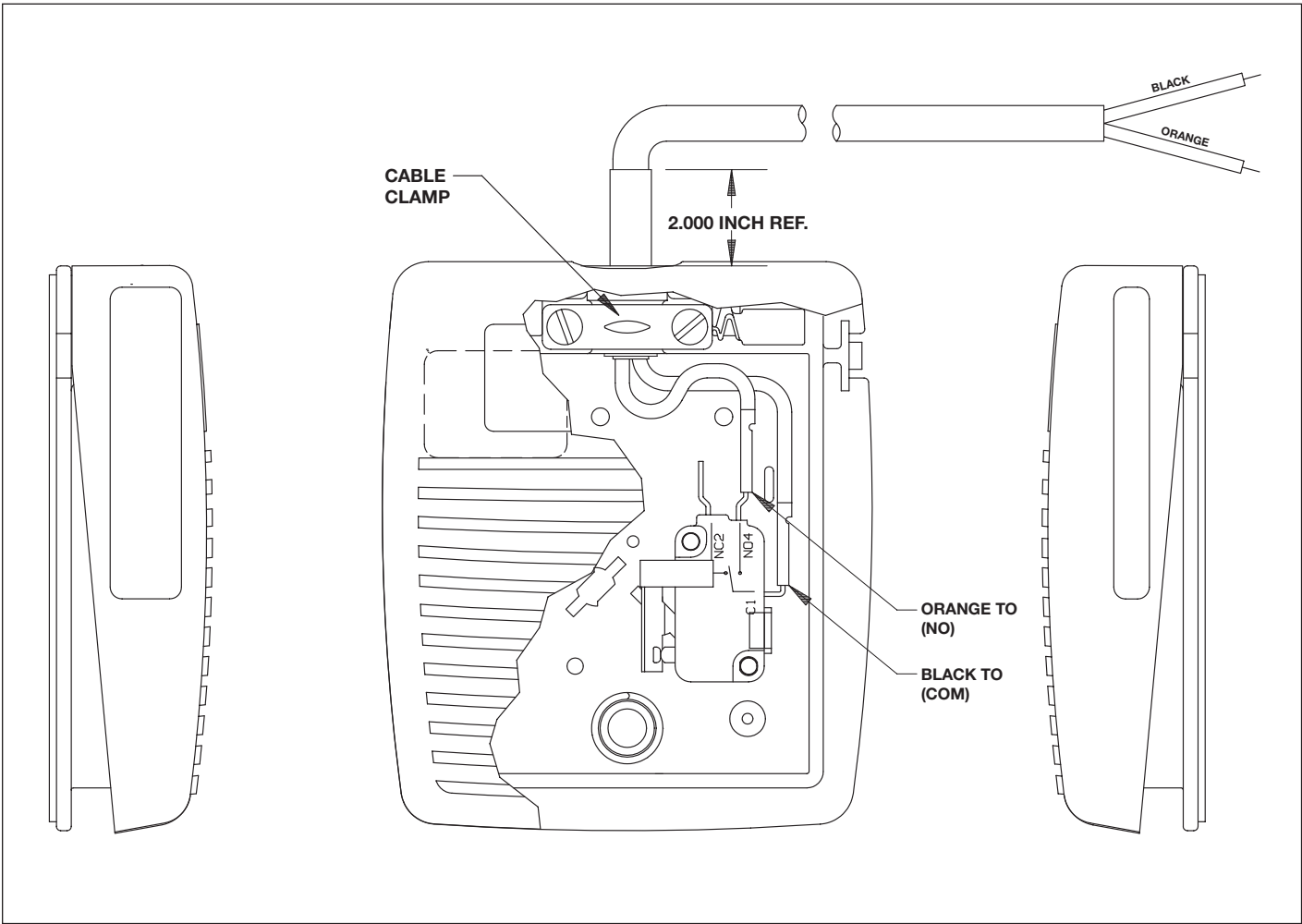


Figure 15, Foot Switch Assembly, Part Number U112266218

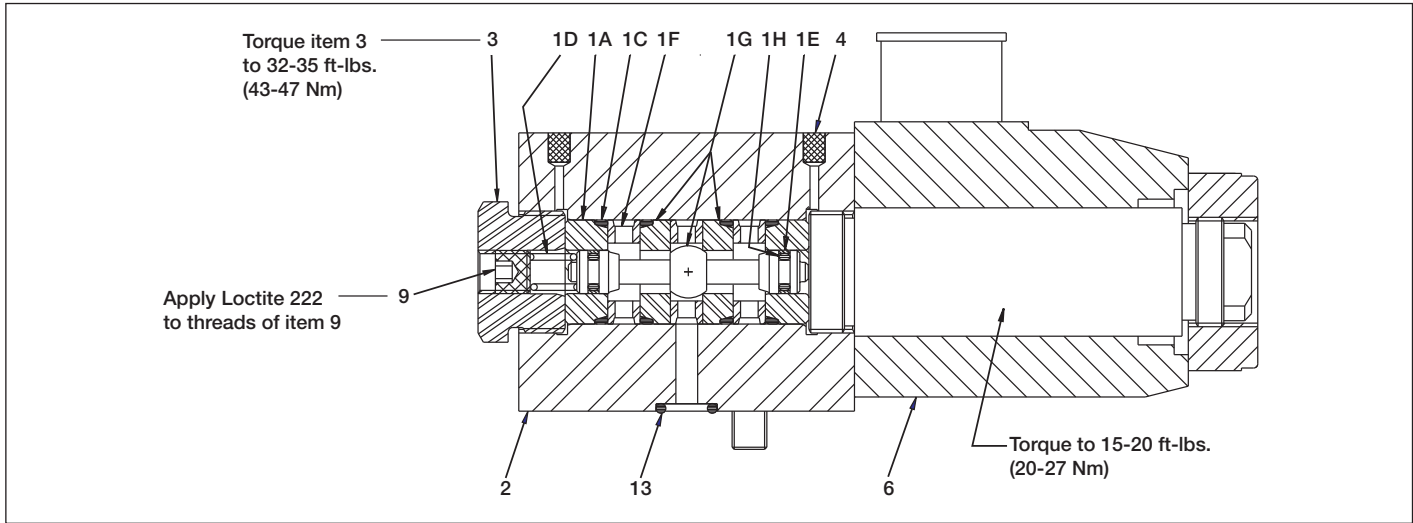


Figure 16, Poppet Valve Assembly

Repair Parts List for Figure 16

Item	Part Number	Qty.	Description	Item	Part Number	Qty.	Description
1	DA5792949SR	1	Valve Stack (inc. items 1A-1H)	2	DA4393190	1	Valve Block Body
1A	DA3697039	2	Bushing	3	DA5421009	1	Valve Plug
1C	B1016803	4	O-ring	4	DA4390118	2	Filter
1D	DA5422110	1	Comp. Spring	6	DA4405900	1	Solenoid Assembly (115V)
1E	CM279044	2	Glyd Ring		DA5714900	1	Solenoid Assembly (220V)
1F	DA3698290	3	Seat Spacer	9	PA1417027	1	Set Screw
1G	DC862949	1	Poppet Set	13	B1011803	3	O-Ring
1H	B1002503	2	O-Ring				

Figure	Item No.	Torque Specification and Assembly Notes (Figures 1 through 6)
1	18	Apply 1 drop Loctite #242 to threads. Torque to 12 to 18 in-lbs (1,4 to 2,0 Nm).
1	154	Torque to 27-31 in-lbs (3,1 to 3,5 Nm).
1	202	Torque to 10 to 15 ft-lbs (13,5 to 20,3 Nm)
1	205	Torque to 10 to 15 ft-lbs (13,5 to 20,3 Nm)
1	Note 1	Install bearing, Item 117, flush to 0.010" (2,54 mm) recessed from surface.
1	Note 2	Apply sealant to motor end cap at three locations, around the tie rods and the center boss.
2	10	Trim wire length to 9 to 10 inches (228 - 254 mm) before attaching pins (item 10). Then insert into item 24.
2	15	Torque to 27 to 31 in-lbs, (3,1 to 3,5 Nm).
2	156	Apply sealant to top of reservoir before applying cork gasket.
2	203	Torque adjustment screw locknut to 28 to 36 in-lbs (3,1 to 4,0 Nm).
3	123	Torque to 15 to 16 ft-lbs (20,3 to 21,7 Nm) lubricated.
3	130,131	Torque to 15 to 20 ft-lbs (20,3 to 27,1 Nm).
4	15	Torque to 27-31 in-lbs (3,1 to 3,5 Nm).
4	109	Torque to 14 to 16 ft-lbs, dry (19,0 to 21,7 Nm).
4	121	Torque to 16-19 ft-lbs, dry (21,7 to 25,8 Nm).
4	143	Align tube to face mesh and splash lubricate upper needle bearing.
4	146	Seat must be coined prior to assembly.
4	148	Assemble with Loctite #545.
4	150	Relief valve setting should be from 250 to 400 psi (17,3 to 27,9 bar).
4	190	Assemble with Loctite #609.
4	Note 3	Stake threads after setting pressure.
6	149	Torque to 6 to 10 ft-lbs (8,1 to 13,5 Nm).
6	5	Torque to 47-53 in-lbs (5,3 to 6,0 Nm). Use Loctite #242 on item #5.
6	8	Torque to 9-12 in-lbs (1,0-1,3 Nm).
6	24	Attach to receptacle on shroud.

Enerpac Worldwide Locations

◆ e-mail: info@enerpac.com

◆ internet: www.enerpac.com

Australia and New Zealand

Actuant Australia Ltd.
P.O. Box 6867
Wetherhill Park, NSW1851
Block V Unit 3
Regents Park Estate
391 Park Road
Regents Park NSW 2143
Australia
T +61 287 177 200
F +61 297 438 648
sales-au@enerpac.com

Brazil

Power Packer do Brasil Ltda.
Rua Luiz Lawrie Reid, 548
09930-760 - Diadema (SP) - Brazil
T +55 11 5687 2211
Toll Free: 0800 891 5770
ventasbrasil@enerpac.com

China (Taicang)

Actuant (China) Industries Co. Ltd.
No.6 Nanjing East Road,
Taicang Economic Dep Zone
Jiangsu, China
T +86 0512 5328 7500
F +86 0512 5335 9690
Toll Free: +86 400 885 0369
sales-cn@enerpac.com

France, Switzerland, North Africa and French speaking African countries

ENERPAC
Une division d'ACTUANT France S.A.S.
ZA de Courtaboeuf
32, avenue de la Baltique
91140 VILLEBON /YVETTE
France
T +33 1 60 13 68 68
F +33 1 69 20 37 50
sales-fr@enerpac.com

Germany and Austria

ENERPAC GmbH
P.O. Box 300113
D-40401 Düsseldorf
Willstätterstrasse 13
D-40549 Düsseldorf, Germany
T +49 211 471 490
F +49 211 471 49 28
sales-de@enerpac.com

India

ENERPAC Hydraulics (India) Pvt. Ltd.
No. 10, Bellary Road, Sadashivanagar,
Bangalore, Karnataka 560 080
India
T +91 80 3928 9000
info@enerpac.co.in
www.enerpac.com

Italy

ENERPAC S.p.A.
Via Canova 4
20094 Corsico (Milano)
T +39 02 4861 111
F +39 02 4860 1288
sales-it@enerpac.com

Japan

Applied Power Japan LTD KK
Besshocho 85-7
Kita-ku, Saitama-shi 331-0821, Japan
T +81 48 662 4911
F +81 48 662 4955
sales-jp@enerpac.com

Middle East, Egypt and Libya

ENERPAC Middle East FZE
Office 423, LOB 15
P.O. Box 18004, Jebel Ali, Dubai
United Arab Emirates
T +971 (0)4 8872686
F +971 (0)4 8872687
sales-ua@enerpac.com

Russia

Rep. office Enerpac
Russian Federation
Admiral Makarova Street 8
125212 Moscow, Russia
T +7 495 98090 91
F +7 495 98090 92
sales-ru@enerpac.com

Southeast Asia, Hong Kong and Taiwan

Actuant Asia Pte Ltd.
83 Joo Koon Circle
Singapore 629109
T +65 68 63 0611
F +65 64 84 5669
Toll Free: +1800 363 7722
sales-sg@enerpac.com

South Korea

Actuant Korea Ltd.
3Ba 717, Shihwa Industrial Complex
Jungwang-Dong, Shihung-Shi,
Kyunggi-Do
Republic of Korea 429-450
T +82 31 434 4506
F +82 31 434 4507
sales-kr@enerpac.com

Spain and Portugal

ENERPAC SPAIN, S.L.
Avda. Los Frailes, 40 – Nave C & D
Pol. Ind. Los Frailes
28814 Daganzo de Arriba
(Madrid) Spain
T +34 91 884 86 06
F +34 91 884 86 11
sales-es@enerpac.com

Sweden, Denmark, Norway,

Finland and Iceland

Enerpac Scandinavia AB
Kopparlundsvägen 14,
721 30 Västerås
Sweden
T +46 (0) 771 41 50 00
scandinavianinquiries@enerpac.com

The Netherlands, Belgium, Luxembourg, Central and Eastern Europe, Baltic States, Greece, Turkey and CIS countries

ENERPAC B.V.
Galvanistraat 115, 6716 AE Ede
P.O. Box 8097, 6710 AB Ede
The Netherlands
T +31 318 535 911
F +31 318 535 848
sales-nl@enerpac.com

Enerpac Integrated Solutions B.V.

Spinelstraat 15, 7554 TS Hengelo
P.O. Box 421, 7550 AK Hengelo
The Netherlands
T +31 74 242 20 45
F +31 74 243 03 38
integratedsolutions@enerpac.com

South Africa and other English speaking African countries

Enerpac Africa Pty Ltd.
No. 5 Bauhinia Avenue
Cambridge Office Park
Block E
Highveld Techno Park
Centurion 0157
Republic of South Africa
T: +27 12 940 0656
sales-za@enerpac.com

United Kingdom and Ireland

ENERPAC UK Ltd.
5 Coopies Field
Morpeth, Northumberland
NE61 6JR, England
T +44 (0) 1670 5016 50
F +44 (0) 1670 5016 51
sales-uk@enerpac.com

USA, Latin America and Caribbean

ENERPAC World Headquarters
P.O. Box 3241
Milwaukee WI 53201-3241 USA
N86 W12500 Westbrook Crossing
Menomonee Falls, Wisconsin 53051
T +1 262 293 1600
F +1 262 293 7036
User inquiries:
T +1 800 433 2766
Distributor inquiries/orders:
T +1 800 558 0530
F +1 800 628 0490
Technical inquiries:
techservices@enerpac.com
sales-us@enerpac.com

All Enerpac products are
guaranteed against defects
in workmanship and materials
for as long as you own them.

For the location of your nearest
authorized Enerpac Service Center,
visit us at www.enerpac.com