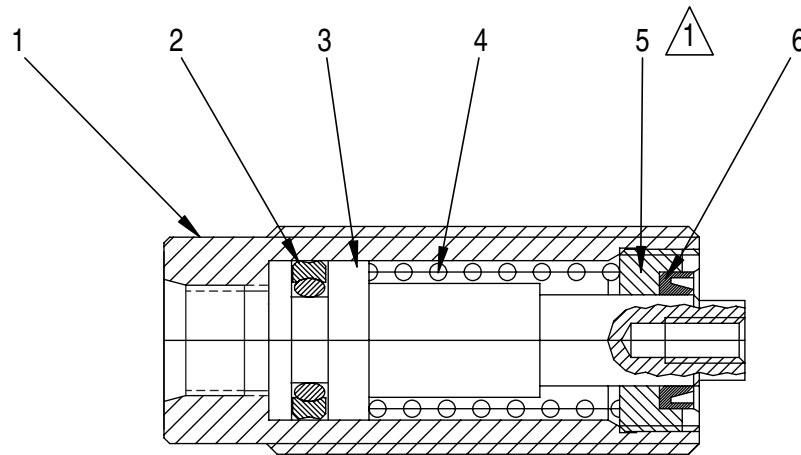


**To Protect Your Warranty, Use Only ENERPAC Hydraulic Oil.**

Enerpac recommends that all kit components be installed to insure optimum performance of the repaired product.



NOTE:



Spray threads on base (item 1) and stop ring (item 5) with Loctite Activator #7649. Apply Loctite #222 to threads after Activator has dried. Assemble and torque stop ring (item 5) to 50-100 In-Lbs (5-11 Nm).

**Parts List - CST 10 Series Cylinders**

Item						Qty.	Description
	CST1072	CST10132	CST10192	CST10252	CST10382		
1	DC6051030	DC6052030	DC6053030	DC6055030	DC6054030	1	Base
2	DC4703076	DC4703076	DC4703076	DC4703076	DC4703076	1	★ Seal, Piston
3	DC4659040	DC4660040	DC4661040	DC4663040	DC4662040	1	Plunger
4	CZ690110	CZ697110	CZ700110	DC6659110	CZ704110	1	Spring
5	DC6037044	DC6037044	DC6037044	DC6037044	DC6037044	1	Stop Ring
6	CZ691041	CZ691041	CZ691041	CZ691041	CZ691041	1	★ Wiper

★ Items included in and available only as part of Seal Kit CST10K1.

Actuant Australia Ltd.  
Block V Unit 3  
Regents Park Estate  
391 Park Road  
Regents Park NSW 2143  
(P.O. Box 261) Australia  
Tel: +61 297 438 988  
Fax: +61 297 438 648

**Brazil**  
Power Packer do Brasil Ltda.  
Rua dos Inocentes, 587  
04764-050 - Sao Paulo (SP)  
Tel: +55 11 5687 2211  
Fax: +55 11 5686 5583  
**Toll Free in Brazil:**  
Tel: 0800 891 5770  
vendasbrasil@enerpac.com

**Canada**  
Actuant Canada Corporation  
6615 Ordan Drive, Unit 14-15  
Mississauga, Ontario L5T 1X2  
Tel: +1 905 564 5749  
Fax: +1 905 564 0305  
**Toll Free:**  
Tel: +1 800 268 4987  
Fax: +1 800 461 2456  
**Technical Inquiries:**  
techservices@enerpac.com

**China**  
Actuant China Ltd.  
1F, 269 Fute N. Road  
Waigaoqiao Free Trade Zone  
Pudong New District  
Shanghai, 200 131 China  
Tel: +86 21 5866 9099  
Fax: +86 21 5866 7156

**Central and Eastern Europe, Greece**  
ENERPAC B.V.  
Galvanistraat 115  
P.O. Box 8097  
6710 AB Ede  
The Netherlands  
Tel: +31 318 535 936  
Fax: +31 318 535 951

**France, Switzerland francophone**  
ACTUANT - ENERPAC  
ZA de Courtaboeuf  
32, avenue de la Baltique  
91140 Villebon / Yvette  
France  
Tel: +33 1 60 13 68 68  
Fax: +33 1 69 20 37 50

**Germany, Austria  
and Switzerland**  
ENERPAC GmbH  
P.O. Box 300113  
D-40401 Düsseldorf  
Germany  
Tel: +49 211 471 490  
Fax: +49 211 471 49 28

**India**  
ENERPAC Hydraulics  
(India) Pvt. Ltd.  
Office No. 9,10 & 11,  
Plot No. 56, Monarch Plaza,  
Sector 11, C.B.D. Belapur  
Navi Mumbai 400614, India  
Tel: +91 22 2756 6090  
Tel: +91 22 2756 6091  
Fax: +91 22 2756 6095

Besshochou 85-7  
Saitama-shi, Kita-ku,  
Saitama 331-0821  
Japan  
Tel: +81 48 662 4911  
Fax: +81 48 662 4955

**Middle East, Turkey and  
Caspian Sea**  
ENERPAC Middle East FZE  
P.O. Box 18004  
Jebel Ali, Dubai  
United Arab Emirates  
Tel: +971 (0)4 8872686  
Fax: +971 (0)4 8872687

**Russia and CIS  
(excl. Caspian Sea Countries)**  
Actuant LLC  
Admiral Makarov Street 8  
125212 Moscow, Russia  
Tel: +7-495-9809091  
Fax: +7-495-9809092

**Singapore**  
Actuant Asia Pte. Ltd.  
25 Serangoon North Ave. 5  
#03-01 Keppel Digihub  
Singapore 554914  
Thomson Road  
P.O. Box 114  
Singapore 915704  
Tel: +65 64 84 5108  
+65 64 84 3737  
Fax: +65 64 84 5669  
**Toll Free:** +1800 363 7722  
**Technical Inquiries:**  
techsupport@enerpac.com.sg

**Spain and Portugal**  
ENERPAC  
C/San José Artesano 8  
Pol. Ind.  
28108 Alcobendas  
(Madrid) Spain  
Tel: +34 91 661 11 25  
Fax: +34 91 661 47 89

**The Netherlands, Belgium,  
Luxembourg, Sweden,  
Denmark, Norway, Finland  
and Baltic States**  
ENERPAC B.V.  
Galvanistraat 115  
P.O. Box 8097, 6710 AB Ede  
The Netherlands  
Tel: +31 318 535 911  
Fax: +31 318 525 613  
+31 318 535 848

**Technical Inquiries Europe:**  
techsupport.europe@enerpac.com

**United Kingdom, Ireland**  
ENERPAC Ltd.  
Enerpac Ltd  
Bentley Road South  
Darlaston, West Midlands  
WS10 8LQ, United Kingdom  
Tel: +44 (0)121 50 50 787  
Fax: +44 (0)121 50 50 799

**USA, Latin America  
and Caribbean**  
ENERPAC  
P.O. Box 3241  
6100 N. Baker Road  
Milwaukee, WI 53209 USA  
Tel: +1 262 781 6600  
Fax: +1 262 783 9562

**Inquiries/orders:**  
+1 800 558 0530  
**Technical Inquiries:**  
techservices@enerpac.com

**All Enerpac products are guaranteed against defects in workmanship and materials for as long as you own them.  
For your nearest authorized Enerpac Service Center, visit us at [www.enerpac.com](http://www.enerpac.com)**