

Repair Parts Sheets	Revision	Revision Date	Product Date Code Beginning With
L4257	Rev. D	08/2020	A

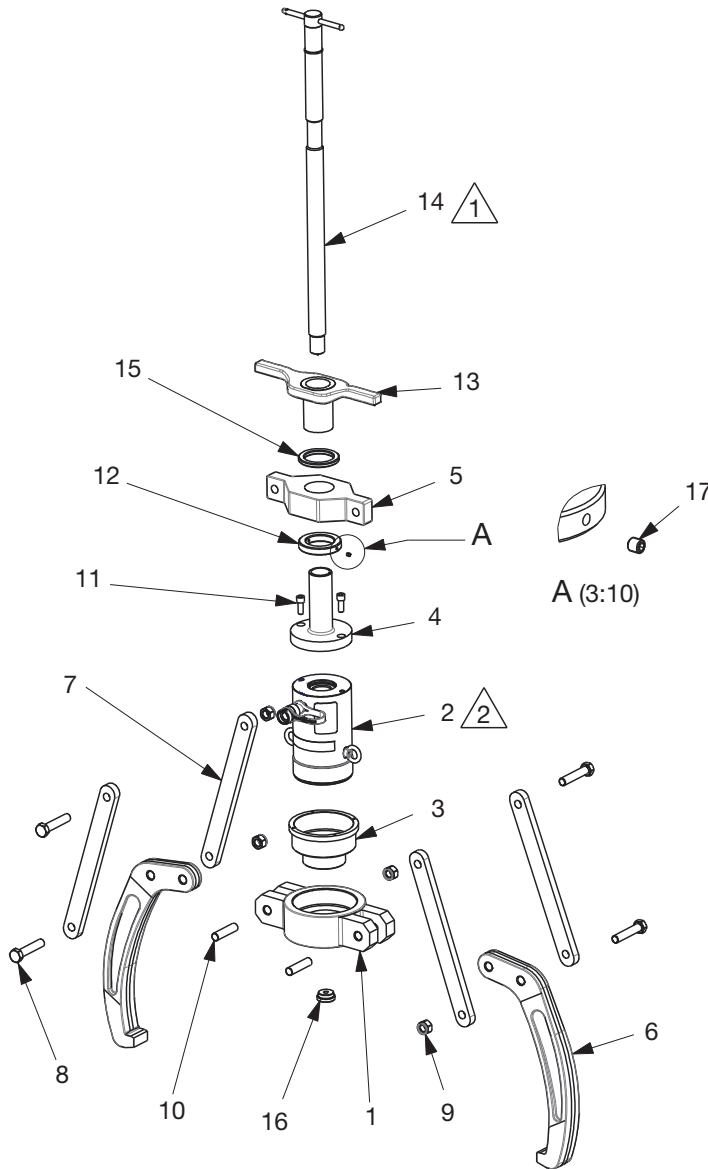


Figure 1, puller assembly for models with 2 jaws configuration. Also valid for models with 3 jaws configuration, adding one extra jaw



Note: See Page 2 for parts list.

Notes

- | | |
|---|---|
| 1 | Apply Molykote 1122 to threads |
| 2 | A further breakdown of the hollow cylinders may be found on www.enerpac.com .
For further information on the following cylinder assemblies, reference the appropriate cylinder models:
- RWH121900 = cylinder model RWH121. Assembly also includes FZ1055 (reducer connector), DC1389900 (female coupler) and DD1782020 (dust cap).
- RCH202901 = cylinder model RCH202. Assembly also includes HP2015 (threaded saddle). |

Repair Parts List, Figure 1 with 2 jaws configuration						L4257
Item	Description	Qty.	Part Number			
			LGH210	LGH214	LGH224	LGH253
1	Lower Body	1	*	%	^	##
2	Hydraulic assembly cylinder	1	RWH101B100	RWH121900	RCH202901	RCH513
3	Adaptor	1	n.a.	n.a.	n.a.	##
4	Threaded base	1	«	∅	⊗	δ
5	Upper body	1	+	&	!	**
6	Jaw	2	LGM211K4	LGH214K4	LGH224K4	LGH253K4
7	Strap	4	#	@	\$	\$\$
8	Jaw Screw	4	#	@	\$	\$\$
9	Nut	4	#	@	\$	\$\$
10	Pin	2	*	%	^	##
11	Base Screw	2	«	∅	⊗	δ
12	Support Nut	1	+	&	!	**
13	Handle + Cap	1	+	&	!	**
14	Spindle	1	LGH10K5	LGH14K5	LGH24K5	LGH253K5
15	Washer	1	n.a.	n.a.	!	**
16	Point protector	1	LGH14K6	LGH14K6	LGH24K6	LGH253K6
17	Set Screw	1	+	&	!	**

Notes:

* included in LGH210K1	% included in LGH214K1	^ included in LGH224K1	## included in LGH253K1
+ included in LGM211K2	& included in LGH214K2	! included in LGH224K2	** included in LGH253K2
# included in LGH210K3	@ included in LGH214K3	\$ included in LGM224K3	\$\$ included in LGH253K3
« included in LGH10K7	∅ included in LGH14K7	⊗ included in LGH24K7	δ included in LGH253K7

Repair Parts List, Figure 1 with 3 jaws configuration						L4257
Item	Description	Qty.	Part Number			
			LGH310	LGH314	LGH324	LGH364
1	Lower Body	1	⌘	⌘	⌘	⌘
2	Hydraulic assembly cylinder	1	RWH101B100	RWH121900	RCH202901	RCH603
3	Adaptor	1	n.a.	n.a.	n.a.	n.a.
4	Threaded base	1	♥	∅	ψ	δ
5	Upper body	1	☆	⊗	§	⌘
6	Jaw	3	LGH310K4	LGH314K4	LGH324K4	LGH364K4
7	Strap	6	+	\$	⊗	⌘
8	Jaw Screw	6	+	\$	⊗	⌘
9	Nut	6	+	\$	⊗	⌘
10	Pin	3	⌘	⌘	⌘	⌘
11	Base Screw	2	♥	∅	ψ	δ
12	Support Nut	1	☆	⊗	§	⌘
13	Handle + Cap	1	☆	⊗	§	⌘
14	Spindle	1	LGH10K5	LGH14K5	LGH24K5	LGH253K5
15	Washer	1	n.a.	n.a.	§	⌘
16	Point protector	1	LGH14K6	LGH14K6	LGH24K6	LGH253K6
17	Set Screw	1	☆	⊗	§	⌘

Notes:

⌘ included in LGH310K1	⌘ included in LGH314K1	⌘ included in LGH324K1	⌘ included in LGH364K1
☆ included in LGM318K2	⊗ included in LGH314K2	§ included in LGH324K2	⌘ included in LGH364K2
+	∅ included in LGH310K3	⊗ included in LGH324K3	⌘ included in LGH364K3
♥ included in LGH10K7	∅ included in LGH14K7	ψ included in LGH24K7	δ included in LGH253K7



To maintain your warranty:

- Have your products inspected and repaired by an Enerpac Authorized Service Center

ENERPAC

Visit www.enerpac.com for the location of the Enerpac Authorized Service Center nearest you.