

Document Number	Document Revision	Document Revision Date	Product Date Code Beginning With
L4082	F	04/2017	A

NOTICE:

Enerpac recommends that all parts included in a service assembly or repair kit be installed to ensure optimum performance of the repaired product.

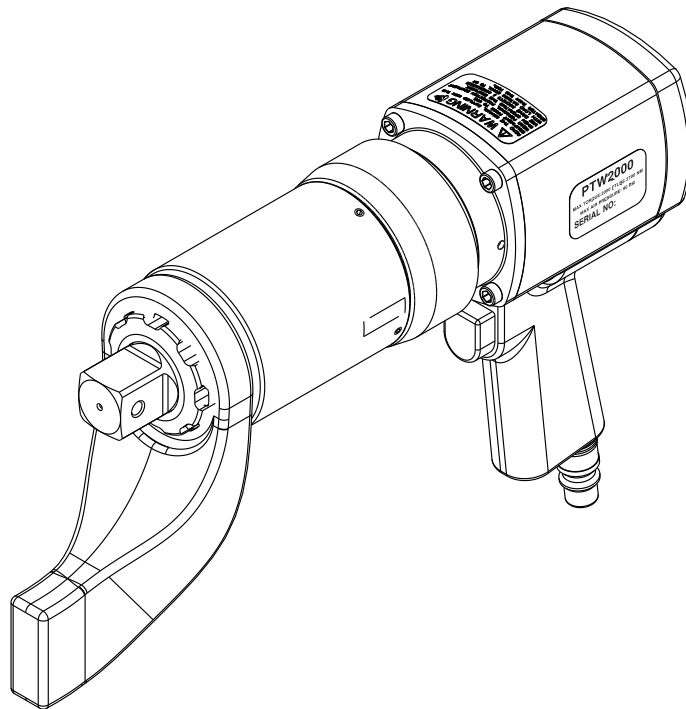
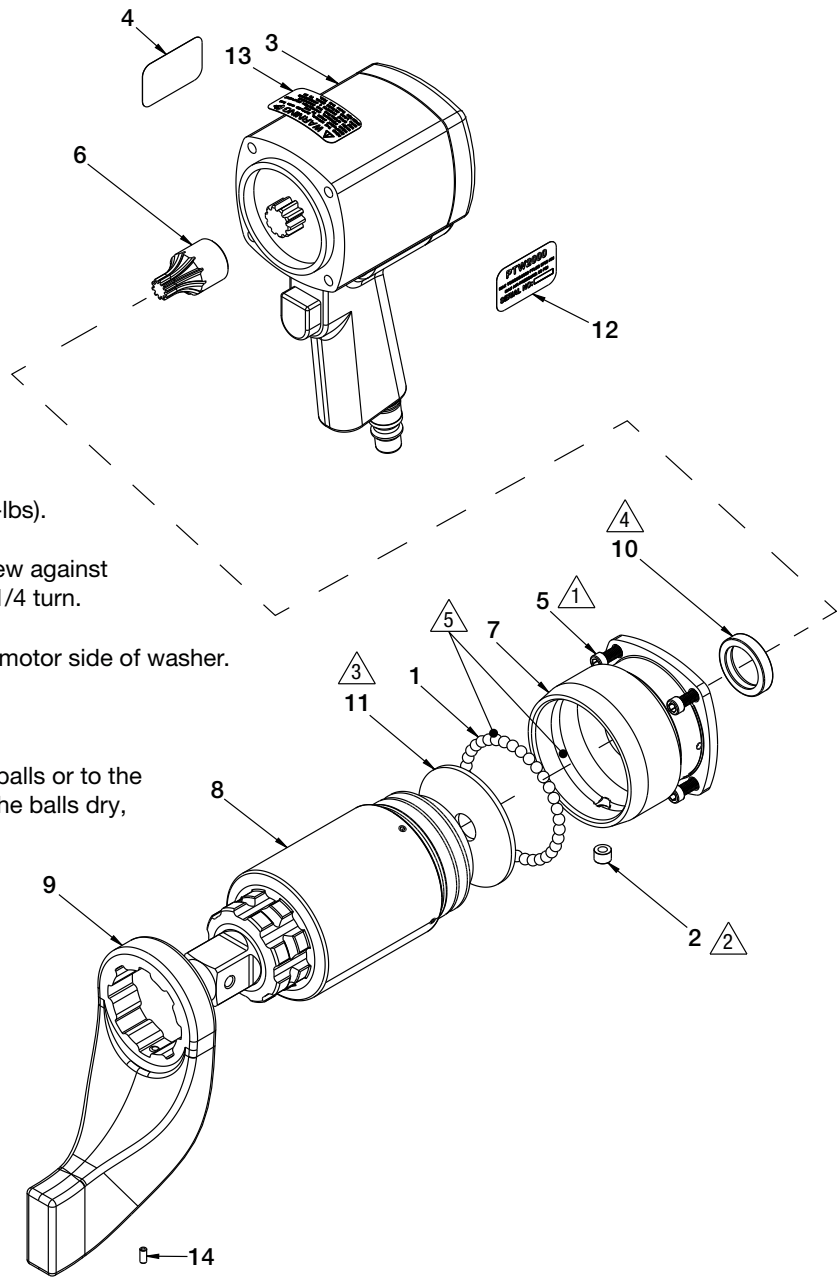


Table of Contents:

	Page		Page
Figure 1 - Main Assembly	2	Figure 4B - Extended Drive Components	7
Figure 2 - Air Motor Assembly	3	Figure 5 - Filter/Regulator/Lubricator Assembly	8
Figure 3 - Gear Box Assembly	4-5	Figure 6 - Protective Storage Case	9
Figure 4A - Accessories	6-7		

⚠ WARNING Disconnect tool from air supply before beginning any maintenance or repairs. Appropriate shop safety procedures are to be followed during disassembly and reassembly to minimize any possibility of injury.

Fig. 1, Main Assembly



Notes:

- 1 Torque to 8,0 to 8,9 Nm (70.8 - 78.8 in-lbs).
- 2 Apply Loctite 242 to threads, snug screw against ball race between balls, then back off 1/4 turn.
- 3 Apply a thin coat of Moly grease to air motor side of washer.
- 4 Fill cavity of seal lip with Moly grease.
- 5 **Note:** DO NOT apply lubricants to the balls or to the ball groove during reassembly. Install the balls dry, without applying any oil or grease.

Repair Parts List, Fig. 1

L4082

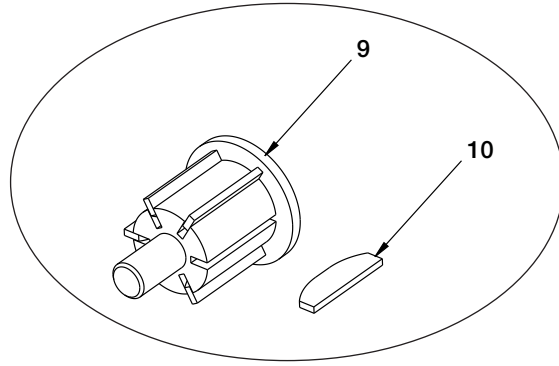
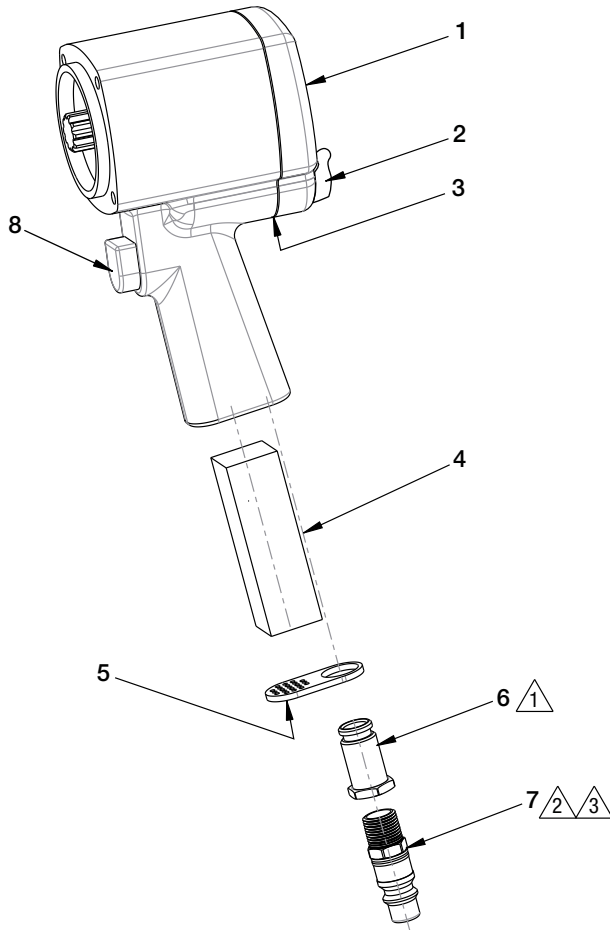
Item	Part Number	Qty.	Description	Item	Part Number	Qty.	Description
1	☆ B1007016	35	Ball, 1/4" Diameter	9	* ◆ DD5340900SR	1	Reaction Arm (standard)
2	☆ BF3804027A	1	Set Screw, Cup Point	10	☆ DD5344476	1	Seal, Radial Lip
3	+ (See Fig. 2)	1	Assembly, Air Motor	11	☆ DD5356108	1	Washer, Delrin
4	+ DD4500026	1	Decal, Brand PTW	12	+ DD5384026	1	Decal, PTW2000
5	☆ DD4608028	4	SHCS, M6 x 1 - 14, SS	13	+ DD5496026	1	Decal, Warning
6	DD5168229SR	1	Pinion, Input, PTW	14	* ◆ DD5448600SR	1	Set Screw, Reaction Arm
7	DD5169101SR	1	Plate, Adaptor PTW	-	☼ DD5587600SR	A/R	Grease, Moly, 16 oz, 454 g (A/R = Order as required)
8	◆ (See Fig. 3)	1	Assembly, Gear Box				

◆ Included in service assembly TW2000RSR, Gearbox Assembly with Reaction Arm.
 * Included in service assembly RATWS, Standard Reaction Arm.
 ☆ Included in service assembly DD5356108SR, Swivel Hardware Kit.
 + Included in service assembly DD3237900SR, Air Motor Assembly Kit.

☼ Apply Moly grease as described in Fig. 1.
 See notes and .

Note: Items included in service assemblies are not sold separately.

Fig. 2, Air Motor Assembly

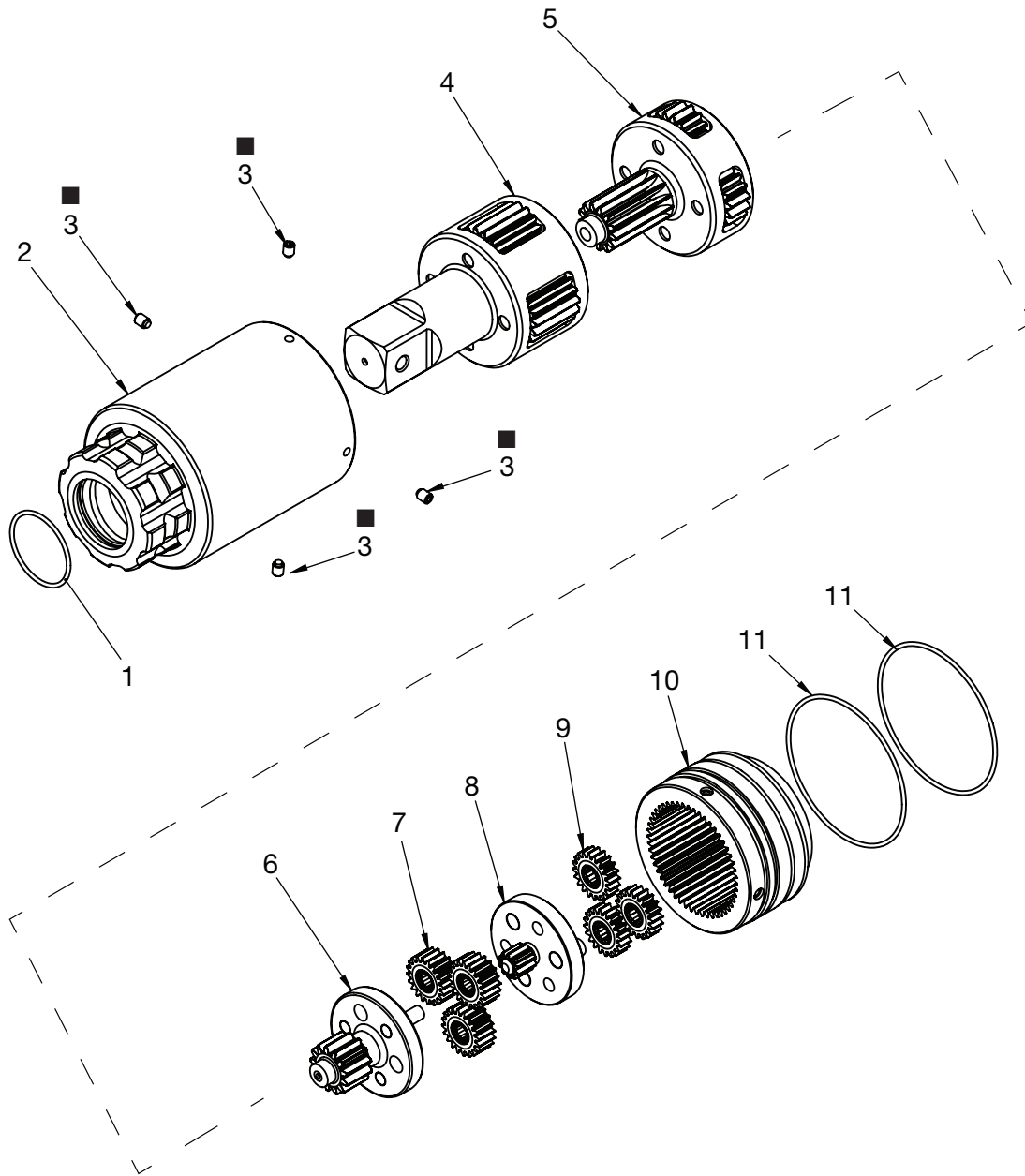


Notes:

- ① Install nut (item 6) so that it is snug against exhaust deflector plate (item 5). Torque to 4,1 to 6,7 Nm (3-5 ft-lbs). Note: Plate may crack if nut is tightened excessively.
- ② Apply Loctite 545 to threads of coupling (item 7).
- ③ Torque coupling (item 7) to 33,9 to 61,0 Nm (25 - 45 ft-lbs) while holding nut (item 6) with a wrench, to prevent it from turning.

Repair Parts List, Fig. 2				L4082
Item	Part Number	Qty.	Description	
1	+ DD3136259	1	Air Motor	
2	DD5858147SR	1	Directional Control Knob	
3	DD5914037SR	1	Gasket	
4	+ DD3236116SR	1	Foam, Muffler - Air Motor	
5	(included with item 1)	1	Exhaust Deflector Plate	
6	(included with item 1)	1	Nut, Air Inlet	
7	+ DD4847095SR	1	Coupling, Male 1/2" x 3/8" NPT	
8	DD5855144SR	1	Trigger Kit (includes roll pin)	
9	DD5472600SR	1	Replacement Rotor for Air Motor	
10	DD5820600SR	1	Replacement Vanes for Air Motor (set of 6)	
11	❖ DD5859016SR	1	Detent Service Kit (parts not shown)	
+ Included in service assembly DD3237900SR, Air Motor Assembly Kit. ❖ Detent service kit includes ball and spring for directional control spool (not shown).				Note: Items included in service assemblies and kits are not sold separately.

Fig. 3, Gear Box Assembly



Note: During reassembly, be sure that all gear teeth and bearing interfaces are coated with Moly grease. See parts list, item 12.

■ **ITEM 3:** Apply Loctite 242 to setscrew threads. Install setscrew and tighten it until snug. Then, back-off setscrew 1/4 turn.

Repair Parts List, Fig. 3

L4082

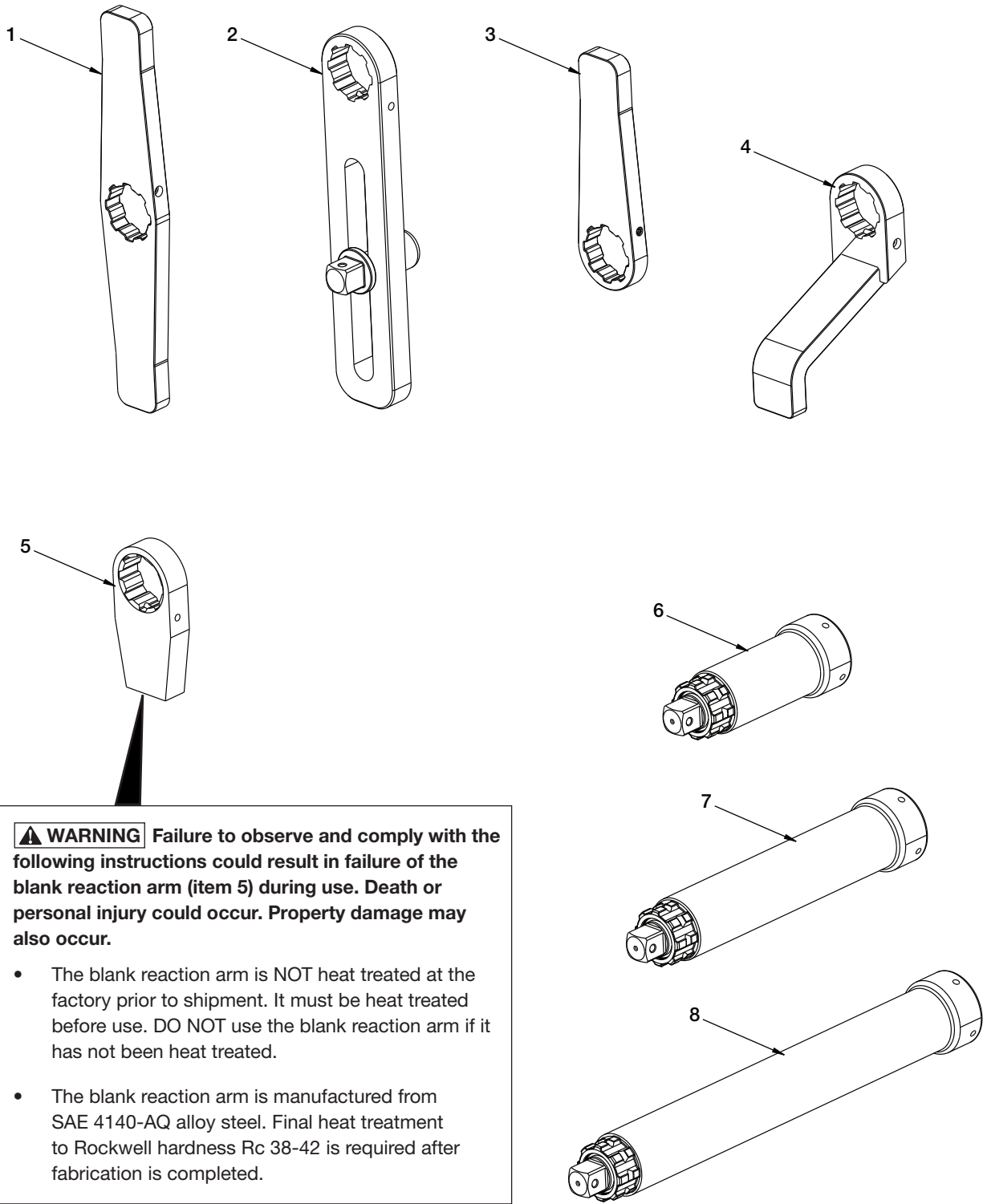
Item	Part Number	Qty.	Description
1	❖★◆ Not sold separately	1	O-Ring, Small
2	★◆ DD5450600SR	1	Gear Housing, TW2000
3	❖★◆ (not sold separately)	4	Set Screw
4	★◆ DD5451600SR	1	Assembly, Drive Stage, TW2000
5	★◆ DD5457600SR	1	Gear Carrier, Third Stage, TW2000
6	★◆ DD5455600SR	1	Gear Carrier, Second Stage, TW2000
7	❖★◆ DD5456600SR	1	Planetary Gears, Second Stage, TW2000
8	★◆ DD5453600SR	1	Gear Carrier, First Stage, TW2000
9	❖★◆ DD5454600SR	1	Planetary Gears, First Stage, TW2000
10	★◆ DD5452600SR	1	Ring Gear, TW2000
11	❖★◆ (not sold separately)	2	O-Ring, Large
12	❖ DD5587600SR	A/R	Grease, Moly, 16 oz, 454 g

- ❖ Included in MKTW2000K Maintenance Kit.
- ★ Included in service assembly TW2000SR, Replacement Gearbox Assembly.
- ◆ Included in service assembly TW2000RSR, Replacement Gearbox Assembly with Reaction Arm.
(See Figure 1 for reaction arm and set screw)
- ❖ Item includes set of three planetary gears with bearings.
- ❖ During reassembly, be sure that all gear teeth and bearing interfaces are coated with Moly grease.

A/R = Order as required.

Note: Items included in service assemblies are not sold separately.

Fig. 4A, Accessories



⚠ WARNING Failure to observe and comply with the following instructions could result in failure of the blank reaction arm (item 5) during use. Death or personal injury could occur. Property damage may also occur.

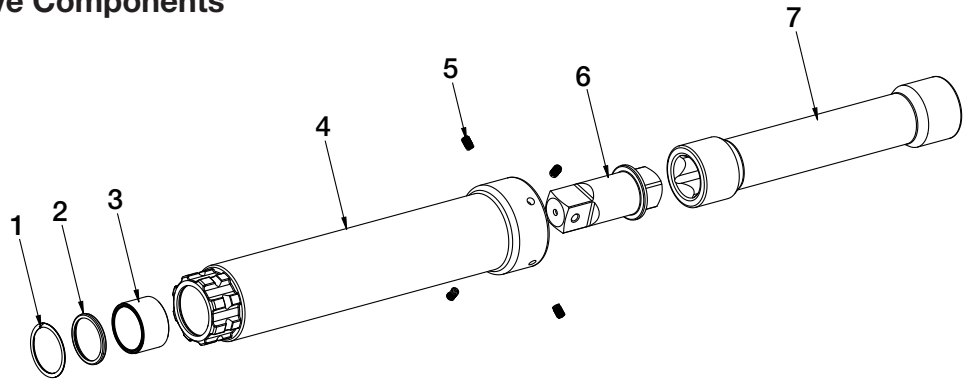
- The blank reaction arm is NOT heat treated at the factory prior to shipment. It must be heat treated before use. DO NOT use the blank reaction arm if it has not been heat treated.
- The blank reaction arm is manufactured from SAE 4140-AQ alloy steel. Final heat treatment to Rockwell hardness Rc 38-42 is required after fabrication is completed.

NOTICE: See Fig. 4B for service parts for items 6, 7 and 8.

Repair Parts List, Fig. 4A				L4082
Item	Part Number	Qty.	Description	
1	DSATWS	1	Reaction Arm, Straight, Double	
		1	Screw, 1/4 - 28 x 2" long	
		1	Nylon Hex Nut, 1/4 - 28	
2	SLRATWS	1	Reaction Arm, Sliding	
		1	Screw, 1/4 - 28 x 2 - 1/4" long	
		1	Nylon Hex Nut, 1/4 - 28	
3	SRATWS	1	Reaction Arm, Straight	
		1	Screw, 1/4 - 28 x 2" long	
		1	Nylon Hex Nut, 1/4 - 28	
4	ERATWS	1	Reaction Arm, Extended	
		1	Screw, 1/4 - 28 x 2" long	
		1	Nylon Hex Nut, 1/4 - 28	
5	BLTWS	1	Reaction Arm, Blank	
		1	Screw, 1/4 - 28 x 2" long	
		1	Nylon Hex Nut, 1/4 - 28	
6	ED6TWS	1	Extended Drive, 6" long (See Fig. 4B)	
		1	Screw, 1/4 - 28 x 3/8" long	
7	ED12TWS	1	Extended Drive, 12" long (See Fig. 4B)	
		1	Screw, 1/4 - 28 x 3/8" long	
8	ED18TWS	1	Extended Drive, 18" long (See Fig. 4B)	
		1	Screw, 1/4 - 28 x 3/8" long	

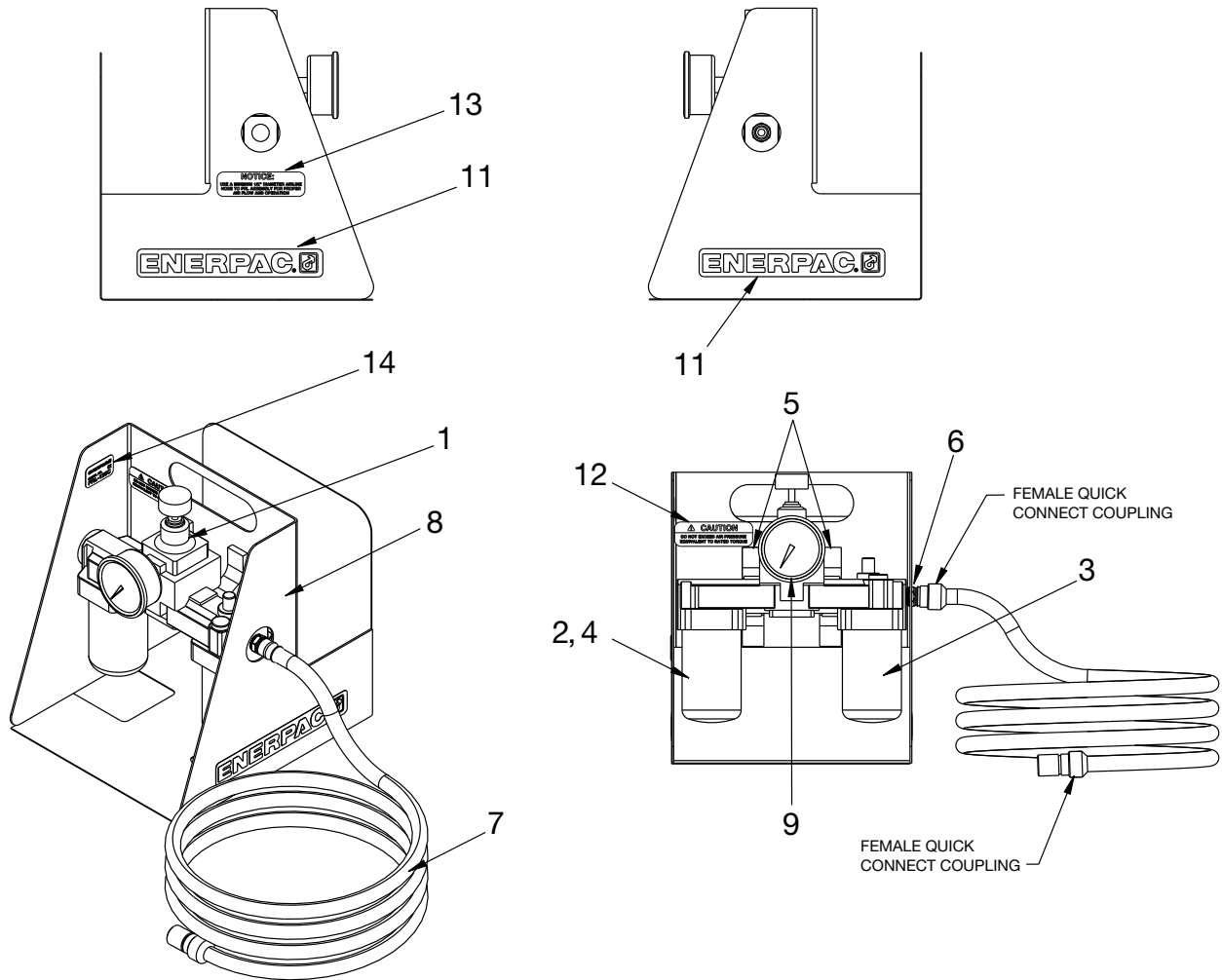
NOTICE: Mounting hardware not shown. See Figure 1 for standard reaction arm.

Fig. 4B, Extended Drive Components



Repair Parts List, Fig. 4B				L4082	
Item	Drive Model / Part Number			Qty.	Description
	ED6TWS	ED12TWS	ED18TWS		
1	DD6632249SR	DD6632249SR	DD6632249SR	1	Snap Ring
2	DD6633503SR	DD6633503SR	DD6633503SR	1	O-Ring
3	DD6636039SR	DD6636039SR	DD6636039SR	1	Bushing
4	DD6621001SR	DD6622001SR	DD6623001SR	1	Housing
5	DD6638027SR	DD6638027SR	DD6638027SR	1	Set Screw (package of four)
6	DD6560229SR	DD6560229SR	DD6560229SR	1	Square Drive
7	DD6626104SR	DD6627104SR	DD6628104SR	1	Drive Extension

Fig. 5, Filter/Regulator/Lubricator Assembly

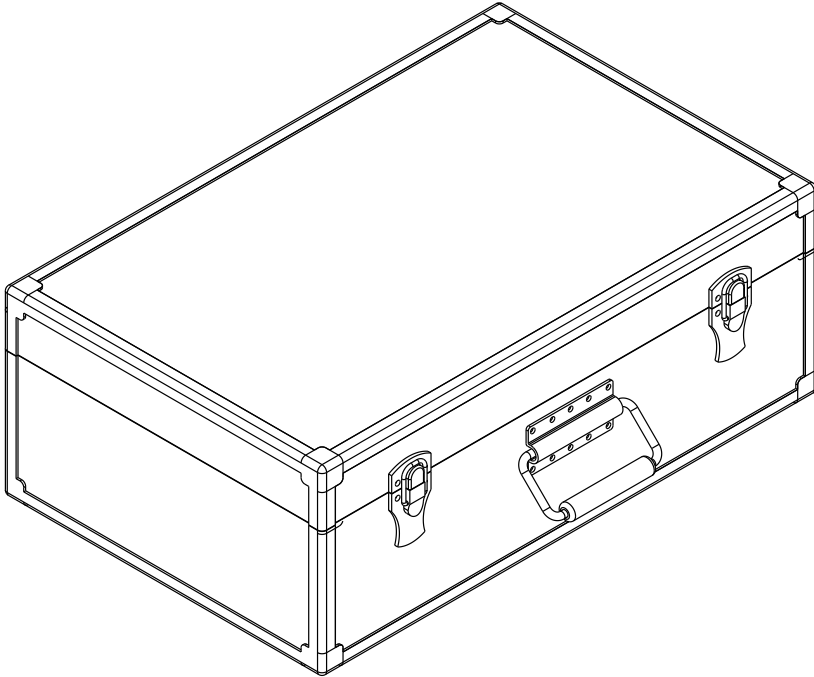


Repair Parts List, Fig. 5

L4082

Item	Part Number	Qty.	Description
1	DD5528600SR	1	Regulator Assembly
2	DD5530600SR	1	Filter Assembly, Auto Drain
3	DD5529600SR	1	Lubricator Unit
4	DD5531600SR	1	Filter Element
5	DD5532600SR	1	Mounting Bracket
6	DD5767095SR	1	Fitting, 1/2" Male Coupling Plug x 1/2" - 14 NPT
7	DD5534600SR	1	Hose Assembly, 10 Foot (with quick connect couplings)
8	DD5533600SR	1	Enclosure
9	DD5535600SR	1	Air Gauge
10	DD5536600SR	1	Oil, Air System Lubricant (not shown)
11	* DD4870026	2	Decal, Enerpac
12	* DD5543026	1	Decal, Caution, Air Pressure
13	* DD5544026	1	Decal, Notice, Air Flow
14	* DD5578026	1	Decal, Product
* Included as part of FRLDECAL Filter/Regulator/Lubricator Decal Set.			

Fig. 6, Protective Storage Case



Repair Parts List, Fig. 6			L4082
Item	Part Number	Qty.	Description
1	DD4725530SR	1	Protective Storage Case, Models PTW1000 and PTW2000

Enerpac Worldwide Locations

◆ e-mail: info@enerpac.com

◆ internet: www.enerpac.com

Australia and New Zealand

Actuant Australia Ltd.
P.O. Box 6867
Wetherhill Park, NSW 1851
Block V Unit 3
Regents Park Estate
391 Park Road
Regents Park NSW 2143
Australia
T +61 287 177 200
F +61 297 438 648

Brazil

Power Packer do Brasil Ltda.
Rua Luiz Lawrie Reid, 548
09930-760 - Diadema (SP) - Brazil
T +55 11 5687 2211
Toll Free: 0800 891 5770

China (Taicang)

Actuant (China) Industries Co. Ltd.
No. 6 Nanjing East Road,
Taicang Economic Dep Zone
Jiangsu, China
T +86 0512 5328 7500
T +86 0512 5335 9690
Toll Free: +86 400 885 0369

France, Switzerland, North Africa and French speaking African countries

ENERPAC
Une division d'Actuant France S.A.S
Zone Orlytech Bâtiment 516
1 allée du commandant Mouchotte
CS 40351
91550 Paray-Vieille-Poste
France
T +33 1 60 13 68 68
F +33 1 69 20 37 50

Germany and Austria

Actuant GmbH
P.O. Box 300113
D-40401 Düsseldorf
Willstätterstrasse 13
D-40549 Düsseldorf, Germany
T +49 211 471 490
F +49 211 471 49 28

India

Actuant India Private Limited
No. 10, Bellary Road, Sadashivanagar,
Bangalore, Karnataka 560 080
India
T +91 80 3928 9000

Italy

ENERPAC S.p.A.
Via Canova 4
20094 Corsico (Milano)
T +39 02 4861 111
F +39 02 4860 1288

Japan

Enerpac Co., Ltd.
Besshocho 85-7
Kita-ku, Saitama-shi 331-0821, Japan
T +81 48 662 4911
F +81 48 662 4955

Middle East, Egypt and Libya

ENERPAC Middle East FZE
Plot M00737m 1242nd Street
Jebel Ali Free Zone North
P.O. Box 18004, Dubai
United Arab Emirates
T +971 (0)4 8872686
F +971 (0)4 8872687

Russia

Rep. office Enerpac
Russian Federation
Admirala Makarova Street 8
125212 Moscow, Russia
T +7 495 98090 91
F +7 495 98090 92

Norway

Sales Office Norway
Unit 524, Nydalsveien 28, 0484 Oslo
P.O. Box 4814, Nydalen 0422 Oslo
Norway
T +47 91 578 300

Southeast Asia, Hong Kong and Taiwan

Actuant Asia Pte Ltd.
83 Joo Koon Circle
Singapore 629109
T +65 68 63 0611
F +65 64 84 5669
Toll Free: +1800 363 7722

South Korea

Actuant Korea Ltd.
3Ba 717, Shihwa Industrial Complex
Jungwang-Dong, Shihung-Shi,
Kyunggi-Do
Republic of Korea 429-450
T +82 31 434 4506
F +82 31 434 4507

Spain and Portugal

ENERPAC SPAIN, S.L.
Avda. Valdeparra N° 27 3ª - L8
28108 Alcobendas (Madrid), Spain
T +34 91 884 86 06
F +34 91 884 86 11

Sweden, Denmark

Finland and Iceland
Enerpac Scandinavia AB
Kopparlundsvägen 14,
721 30 Västerås
Sweden
T +46 (0) 771 41 50 00

The Netherlands, Belgium, Luxembourg, Central and Eastern Europe, Baltic States, Greece, Turkey and CIS countries

ENERPAC B.V.
Galvanistraat 115, 6716 AE Ede
P.O. Box 8097, 6710 AB Ede
The Netherlands
T +31 318 535 911
F +31 318 535 848

Enerpac Heavy Lifting Technology B.V.

Spinelstraat 15, 7554 TS Hengelo
P.O. Box 421, 7550 AK Hengelo
The Netherlands
T +31 74 242 20 45
F +31 74 243 03 38

South Africa and other English speaking African countries

Enerpac Africa Pty Ltd.
No. 5 Bauhinia Avenue
Cambridge Office Park
Block E
Highveld Techno Park
Centurion 0157
Republic of South Africa
T: +27 12 940 0656

United Kingdom and Ireland

ENERPAC UK Ltd.
5 Coopies Field
Morpeth, Northumberland
NE61 6JR, England
T +44 1670 5010 00

USA, Latin America and Caribbean

ENERPAC World Headquarters
P.O. Box 3241
Milwaukee WI 53201-3241 USA
N86 W12500 Westbrook Crossing
Menomonee Falls, Wisconsin 53051
T +1 262 293 1600
F +1 262 293 7036
User inquiries:
T +1 800 433 2766
Distributor inquiries/orders:
T +1 800 558 0530
F +1 800 628 0490

All Enerpac products are
guaranteed against defects
in workmanship and materials
for as long as you own them.

For the location of your nearest
authorized Enerpac Service Center,
visit us at www.enerpac.com

040717

ENERPAC

Visit www.enerpac.com for the location of the
Enerpac Authorized Service Center nearest you.