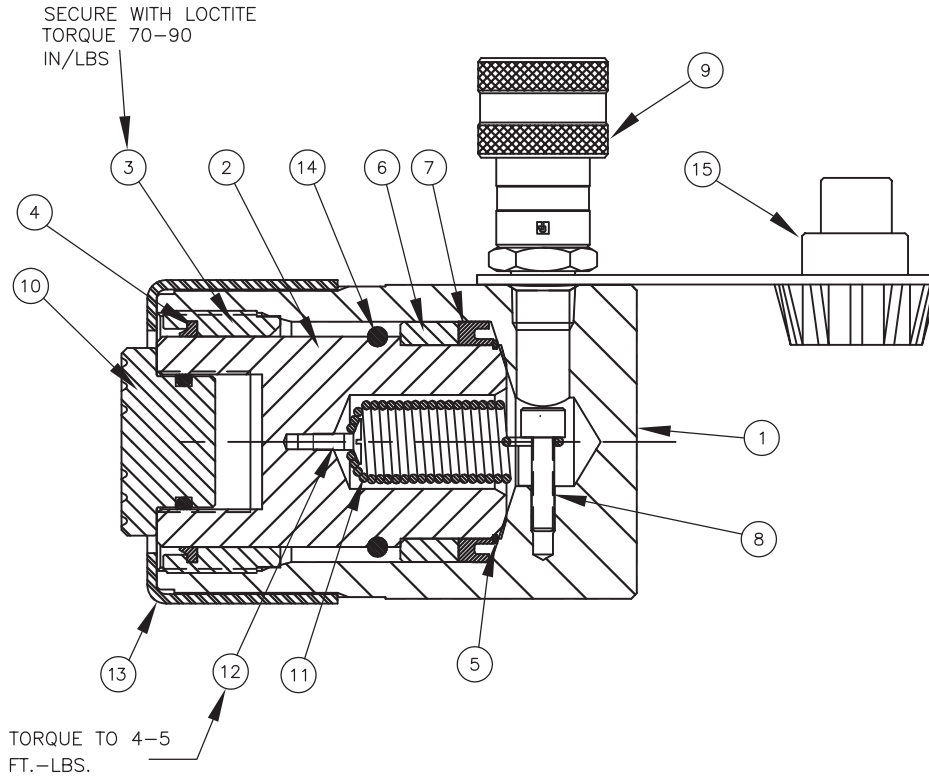




WWW.TKSIMPLEX.COM

TECHNICAL REPAIR PART SHEET
R251-R252-R254 Series Cylinders
25 Tons

PART SHEET NUMBER	REVISION NUMBER/LETTER	DATE CODE RANGE		DOCUMENT DATE
54616	D	R251	B0903 AND ABOVE	0515
		R252	K0854 AND ABOVE	
		R254	C0912 AND ABOVE	



ITEM #	DESCRIPTION	R251	QTY.	R252	QTY.	R254	QTY.
1	BASE	N/A	1	N/A	1	N/A	1
2	PISTON	89213	1	89214	1	89215	1
3	RETAINING NUT	6110176	1	6110176	1	6110176	1
4	WIPER	*	1	*	1	*	1
5	RETAINING RING	85718	1	85718	1	85718	1
6	BEARING RING	88980	1	88980	1	88980	1
7	U-SEAL	*	1	*	1	*	1
8	SHCS	6110177	1	6110177	1	6110177	1
9	FEMALE COUPLER	40858	1	40858	1	40858	1
10	LOAD CAP	6110238	1	6110238	1	6110238	1
11	SPRING	6110178	1	6110178	1	6110188	1
12	SCREW	85729	1	85729	1	85729	1
13	THREAD PROTECTOR	6110179	1	6110179	1	6110179	1
14	ROUND RETAINING RING	88970	1	88970	1	88970	1
15	DUST CAP	CR215	1	CR215	1	CR215	1
N/S	WARNING DECAL	80827	1	80827	1	80827	1
N/S	SIMPLEX LOGO	88165	1	88165	1	88165	1
	PACKING KIT (* = COMPONENTS)	54543		54543		54543	



To maintain your warranty:
 Have your products inspected and repaired by a SIMPLEX Authorized Service Center.
 Visit www.tksimplex.com to locate the nearest one.

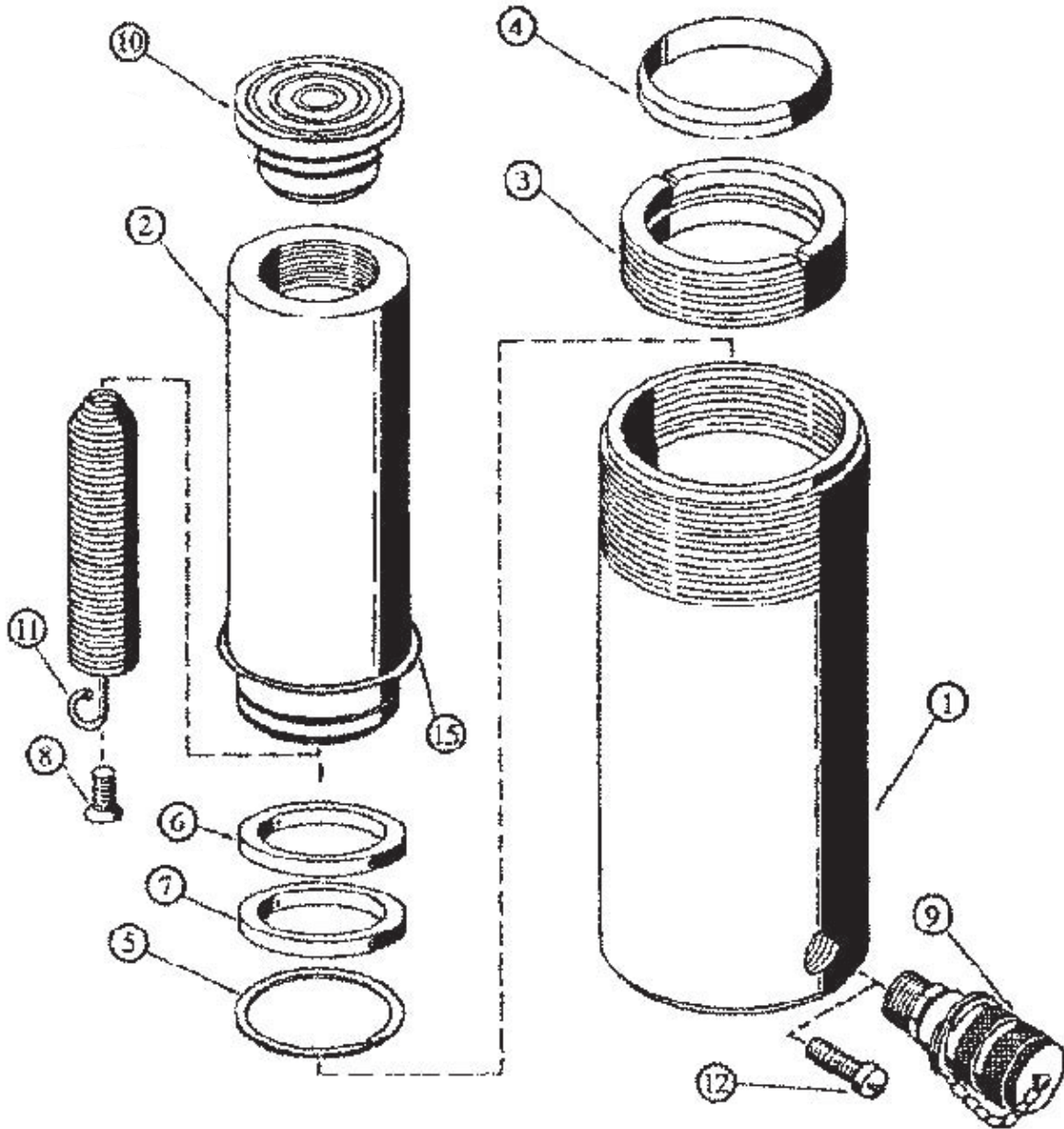


SIMPLEX

WWW.TKSIMPLEX.COM

TECHNICAL REPAIR PART SHEET R251-R252-R254 Series Cylinders 25 Tons

PART SHEET NUMBER	REVISION NUMBER/LETTER	DATE CODE RANGE	DOCUMENT DATE
54616	D	R251 B0902 AND BELOW R252 K0853 AND BELOW R254 C0911 AND BELOW	03/13



To maintain your warranty:
Have your products inspected and repaired by a SIMPLEX Authorized Service Center.
Visit www.tksimplex.com to locate the nearest one.





WWW.TKSIMPLEX.COM

TECHNICAL REPAIR PART SHEET
R251-R252-R254 Series Cylinders
25 Tons

ITEM #	DESCRIPTION	R251	R252	R254	QTY.
01	HOUSING	N/A	N/A	N/A	1.00
02	PISTON HSR-251T	89213	89214	89215	1.00
03	RETAINING NUT	89223	89223	89223	1.00
04	WIPER 2 1/4" ROD	*	*	*	1.00
05	RETAINING RING	85718	85718	85718	1.00
06	BEARING RING HSR 25	88980	88980	88980	1.00
07	U-SEAL	*	*	*	1.00
08	SHCS 1/4-28 1.00	83117	83117	83117	1.00
09	COUPLER W/ DUST CAP	C211	C211	C211	1.00
10	LOAD CAP ASSY	85525	85525	85525	1.00
11	SPRING	85676	85676	86156	1.00
12	SCREW 10-32X1/2	85729	85729	85729	1.00
15	ROUND RETAINING RING	88970	88970	88970	1.00
N/S	THREAD PROTECTOR	85664	85664	85664	1.00
N/S	WARNING DECAL	80827	80827	80827	1.00
N/S	SIMPLEX LOGO	88187	88187	88165	1.00
	PACKING KIT (* = COMPONENTS)	54336	54336	54336	1.00



To maintain your warranty:
Have your products inspected and repaired by a SIMPLEX Authorized Service Center.
Visit www.tksimplex.com to locate the nearest one.

