

**To Protect Your Warranty, Use Only ENERPAC Hydraulic Oil.**

Enerpac recommends that all kit components be installed to insure optimum performance of the repaired product.

**Index:**

Service Instructions . . . . .	English . . . . .	8-10
Entretien . . . . .	Français . . . . .	11-14
Serviceanleitung . . . . .	Deutsch . . . . .	15-18
Istruzioni Di Servizio . . . . .	Italiano . . . . .	19-22
Instrucciones De Mantenimiento . . . . .	Español . . . . .	23-26
Onderhoudsinstructies . . . . .	Hollands . . . . .	27-30

Instruções de serviço . . . . .	Português . . . . .	31-34
Huolto-ohjeet . . . . .	Suomalainen . . . . .	35-38
Serviceinstrukser . . . . .	Norsk . . . . .	39-42
Serviceinstruktioner . . . . .	Svensk . . . . .	43-46
. . . . .	中文 (Chinese) . . . . .	47-50
. . . . .	日本語 (Japanese) . . . . .	51-54

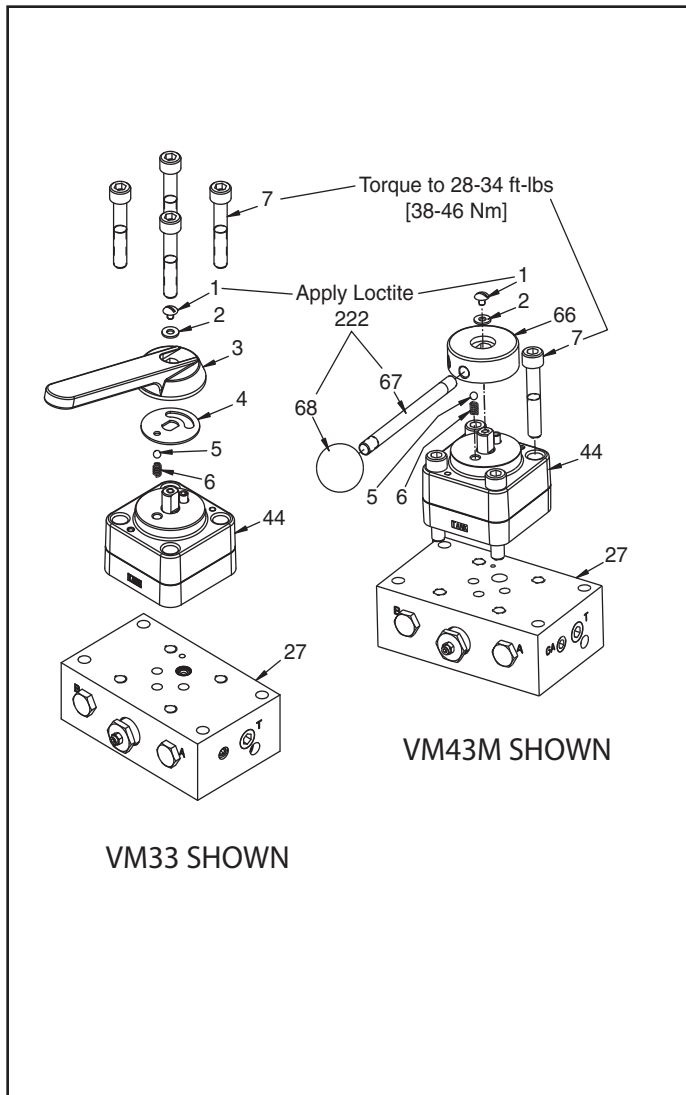


Figure 1A, VM33, VM33M, VM43, VM43M

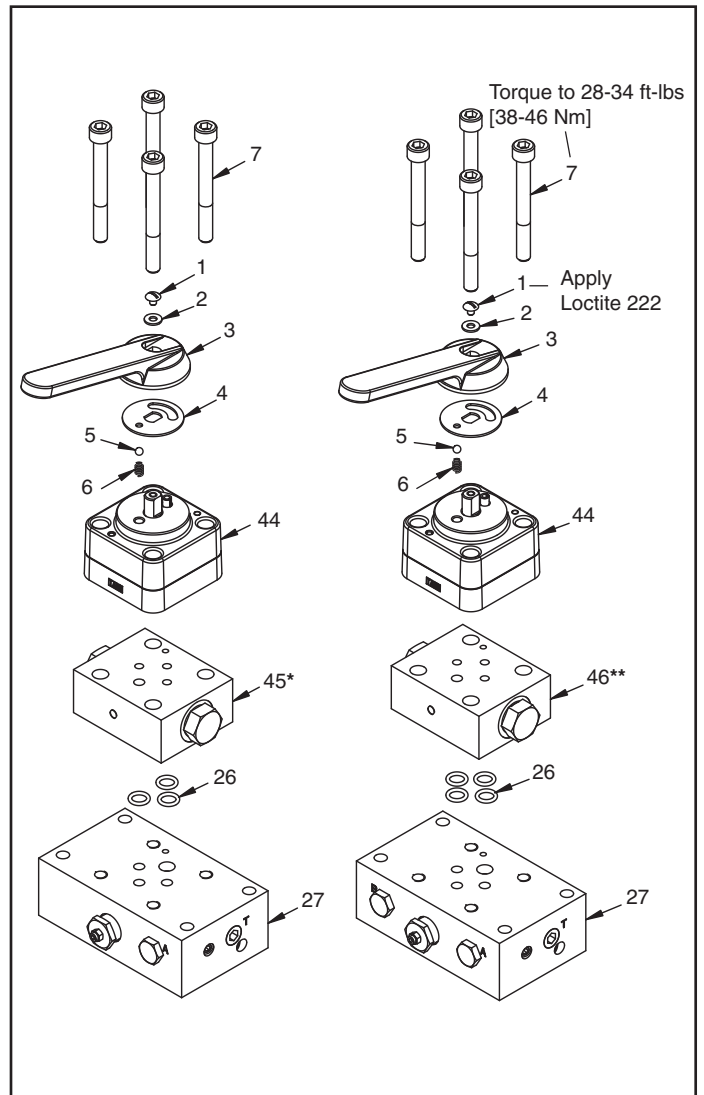
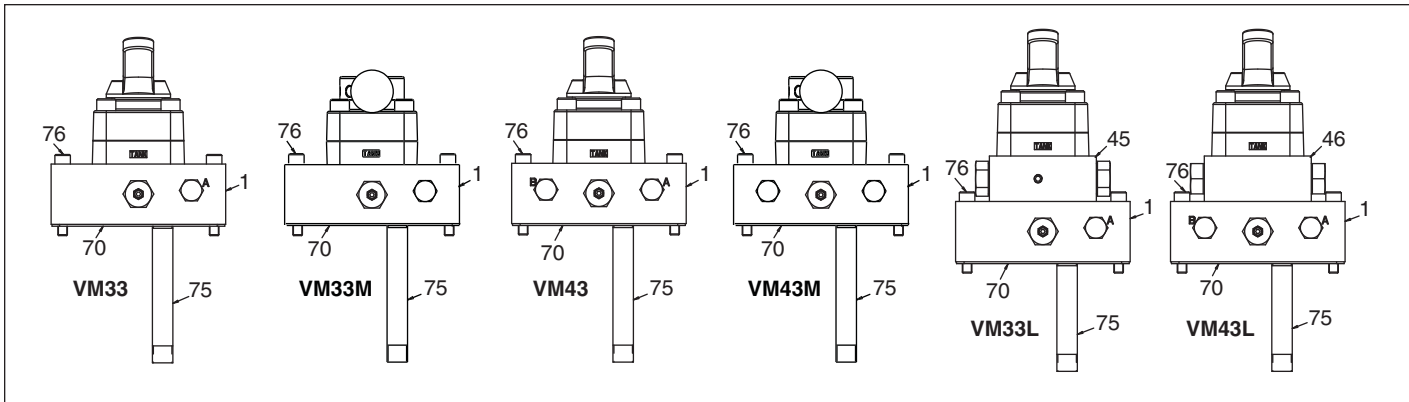


Figure 1B, VM33L, VM43L

\* See Figure 2, page 4.

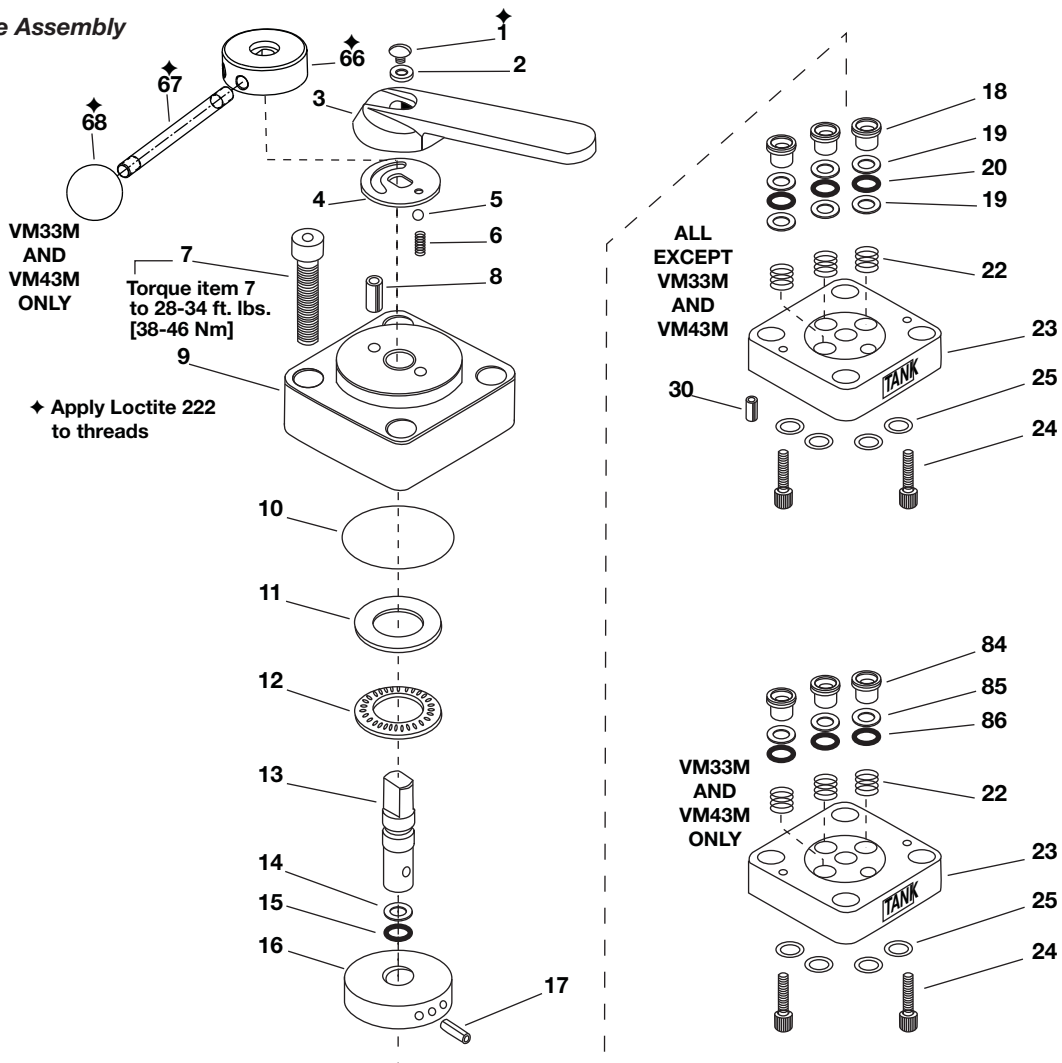
\*\* See Figure 3, page 4.



**Repair Parts List for Figure 1C, VM33 & VM43 Series Valves**

Item	Part Number	Qty.	Description	Item	Part Number	Qty.	Description
1	VM33, VM33M	-	3-way Manual Valve	45	Y383900SR	1	3-Way Locking Valve Assy.
	VM43, VM43M	-	4-way Manual Valve	46	Y123900SR	1	4-Way Locking Valve Assy.
	VM33L	-	3-way Locking Manual Valve	70	DC9356037	1	Gasket
	VM43L	-	4-way Locking Manual Valve	75	DC2749768	1	Return Pipe
				76	CBE837028-1A	4	SHCS

**Figure 1D,  
Upper Valve Assembly**



### Repair Parts List for Figure 4 (Valve Cover Assy.)

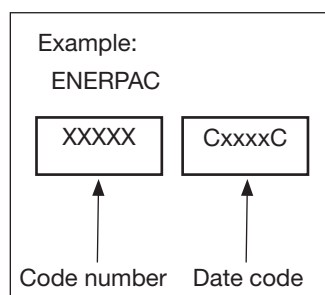
Item	Part Number	Qty.	Description	Item	Part Number	Qty.	Description
1	★ A8076048	1	Screw	20	★◆ B1006503	3	O-Ring
2	★ B1086108	1	Washer	22	★◆● CB28110	3	Spring
3	Y325070	1	Handle	23	CH539190	1	Body
4	A8005071	1	Disk	24	B1326028	2	Bolt
5	▲★ B1006016	1	7/32" Ball	25	★ B1111803	4	O-Ring
6	▲★ A8039110	1	Spring	26	★ B1111803	3	O-Ring (VM33L only)
7	CBE1037028-1A	4	SHCS (VM33/33M, VM43/43M)	27	★ B1111803	4	O-Ring (VM43L only)
	CBE1047028-1A	4	SHCS (VM33L, VM43L)		DC6171950SR	1	Port Manifold VM33 & VM33M (see fig. 4)
8	★ B1126057	1	Roll Pin		DC6868950SR	1	Port Manifold VM33L (see fig. 5)
9	CB324001	1	Valve Cap		DC5947950SR	1	Port Manifold VM43 & VM43M (see fig. 6)
10	★◆● B1269503	1	O-Ring		DC6177950SR	1	Port Manifold VM43L (see fig. 6A)
11	CB327101	1	Bearing Plate	30	B1051057	1	Pin, Locating
12	CB328281	1	Bearing	44	■ CB317900SR	1	Manual Valve, 4-way (all except VM33M & VM43M)
13	CH536104	1	Shaft		■ DC7400950SR	1	Manual Valve, 4-way (VM33M & VM43M only)
14	★ B1012564	1	Backup Ring	66	▲ DC7246489	1	Handle Cap
15	★ B1007503	1	O-Ring	67	▲ DC7304157	1	Lever
16	CH542950SR	1	Disk Assembly (Valve code begins with 40)	68	▲ DC7288147	1	Knob
	CH538950SR	1	Disk Assembly (Valve code begins with 30)	84	● DC7250041	3	Shear Seal
	CH537950SR	1	Disk Assembly (Valve code begins with 4C)	85	● B1011564	3	Backup Washer
	CH541950SR	1	Disk Assembly (Valve code begins with 3C)	86	● B1011203	3	O-Ring
17	★ B1109057	1	Roll Pin				
18	◆ DA9560041	3	Shear Seal				
19	★◆ B1011564	6	Backup Washer				

- ★ Items included in Repair Kit VM4K3. Items not sold separately.
- ◆ Items included in Repair Kit DA9560041SR. Items not sold separately.
- Items included in Repair Kit DC7250041SR. Items not sold separately.
- Includes items 9-20 & 22-25.
- Includes items 9-17, 22-25 & 84-86.
- ▲ Items included in Repair Kit VMMK. Items not sold separately.

#### Manual Valve Identification

Manual valves are stamped at the time of manufacture with a valve code number. The number is used to identify the valve model (see Valve Code Number Chart).

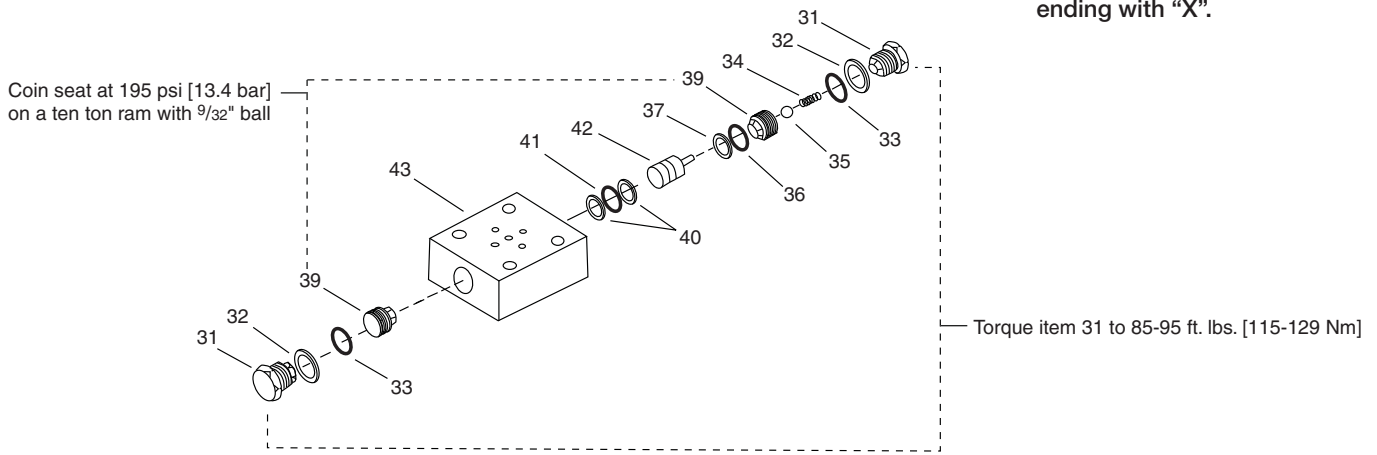
NOTE: Refer to EES115-4 for Date Code instructions.



Valve Code Number Chart					
1st Position	2nd Position	3rd Position	4th Position	5th Position	
3	3-Way Valve				
4	4-Way Valve				
	T	Tandem Center			
	O	Open Center			
	C	Closed Center			
		P	Pump Mounted		
		R	Remote		
			B	Buna	
			V	Viton	
			E	EPR	
			U	Polyurethane	
				I	In-line Check
				X	Locking Valve Section
				O	No Locking Valve Section

**Figure 2, 3-Way Locking Valve, VM33L**

Note: Use with valve codes starting with 3O and 3C and ending with "X".

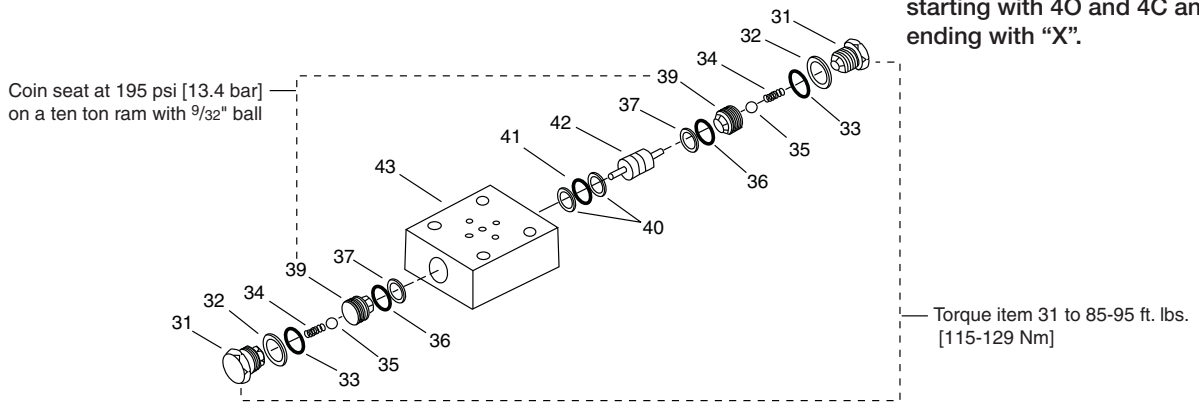


**Repair Parts List for Figure 2, Y383900SR, 3-Way Locking Valve, VM33L (Item 45)**

Item	Part Number	Qty.	Description	Item	Part Number	Qty.	Description
31	CR356013SR	2	Plug, Spring Guide (Incl. #32, 33)	37	★ B1113564	1	Washer
32	★ CR355167	2	Gasket	39	Y126290SR	2	Seat (Incl. #36, 37)
33	★ B1116803	2	O-Ring	40	★ B1111564	2	Backup Washer
34	★ CJ656110	1	Spring	41	★ B1009503	1	O-Ring
35	★ B1008016	1	9/32" Ball	42	CK598900SR	1	Piston
36	★ B1011503	1	O-Ring	43	CL889950SR	1	Valve Body

**Figure 3, 4-Way Locking Valve, VM43L**

Note: Use with valve codes starting with 4O and 4C and ending with "X".

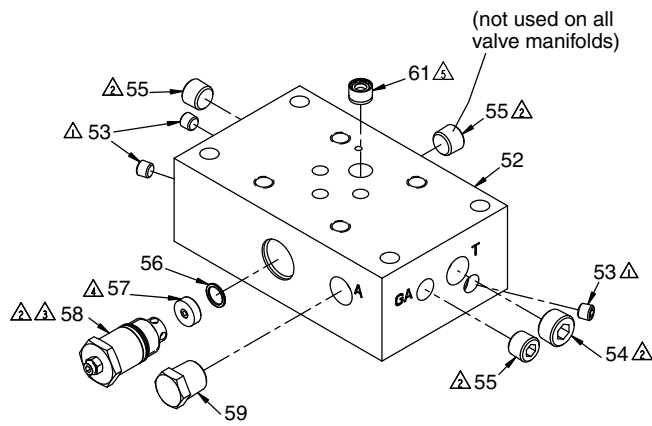


**Repair Parts List for Figure 3, Y123900SR, 4-Way Locking Valve, VM43L (Item 46)**

Item	Part Number	Qty.	Description	Item	Part Number	Qty.	Description
31	CR356013SR	2	Plug, Spring Guide (Incl. #32, 33)	37	★ B1113564	2	Washer
32	★ CR355167	2	Gasket	39	Y126290SR	2	Seat (Incl. #36, 37)
33	★ B1116803	2	O-Ring	40	★ B1111564	2	Backup Washer
34	★ CJ656110	2	Spring	41	★ B1009503	1	O-Ring
35	★ B1008016	2	9/32" Ball	42	Y128900	1	Piston
36	★ B1011503	2	O-Ring	43	CL888950SR	1	Valve Body

★ Items included in and available only as part of Repair Kit VM4K3.

**Figure 4, Manifold Assembly, VM33 & VM33M**



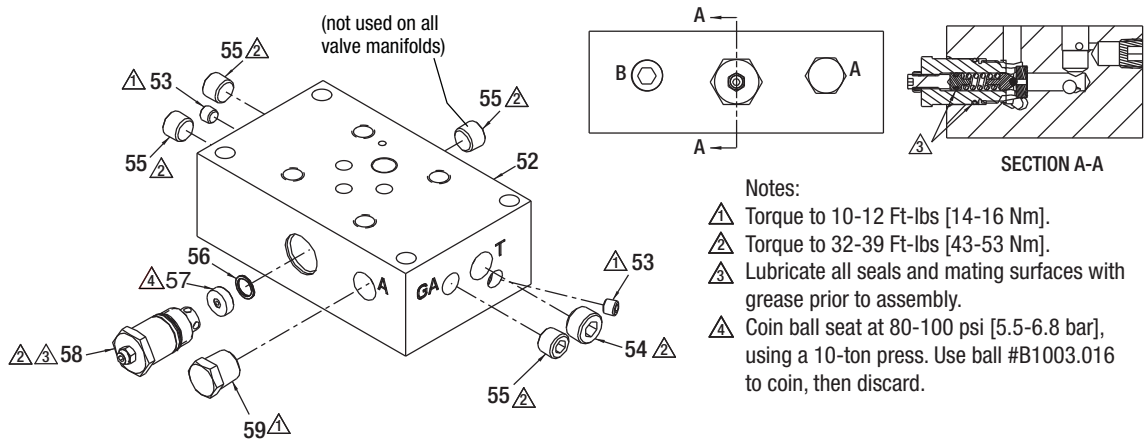
- Torque to 10-12 ft-lbs [14-16 Nm].
- Torque to 32-39 ft-lbs [43-53 Nm].
- Lubricate all seals and mating surfaces with grease prior to assembly.
- Coin ball seat at 80-100 psi [5.5-6.8 bar], using a 10-ton press. Use ball #B1003.016 to coin, then discard.
- Press seat of check valve (Item 61) into manifold (Item 52) to 1000 psi  $\pm$ 100 psi [ $\pm$ 6.8 bar] using a 10-ton press. Install ball #B1007.016 and coin ball seat to 190-200 psi [13-13.7 bar]. Install retaining ring #DC5134.549. Make sure ring is installed in groove of seat.

**Repair Parts List for Figure 4, DC6171950SR, Manifold Assembly, VM33 & VM33M**

Item	Part Number	Qty.	Description
52	★ DC6323038	1	Manifold
53	★ DC6792245	3	Flush Plug 1/16"
54	★ DC6795245	1	Flush Plug 3/8"
55	★ DC6794245	2 or 3	Flush Plug 1/4"
56	★ P20037	1	Gasket
57	★ DC5124290	1	Seat
58	★ DC5139900SR	1	Relief Valve Assembly
59	★ R515245-2	1	Plug
61	★ DC5140900	1	Check Valve

★ Items included in Repair Kit DC6171950SR.

**Figure 5, Manifold Assembly, VM33L**



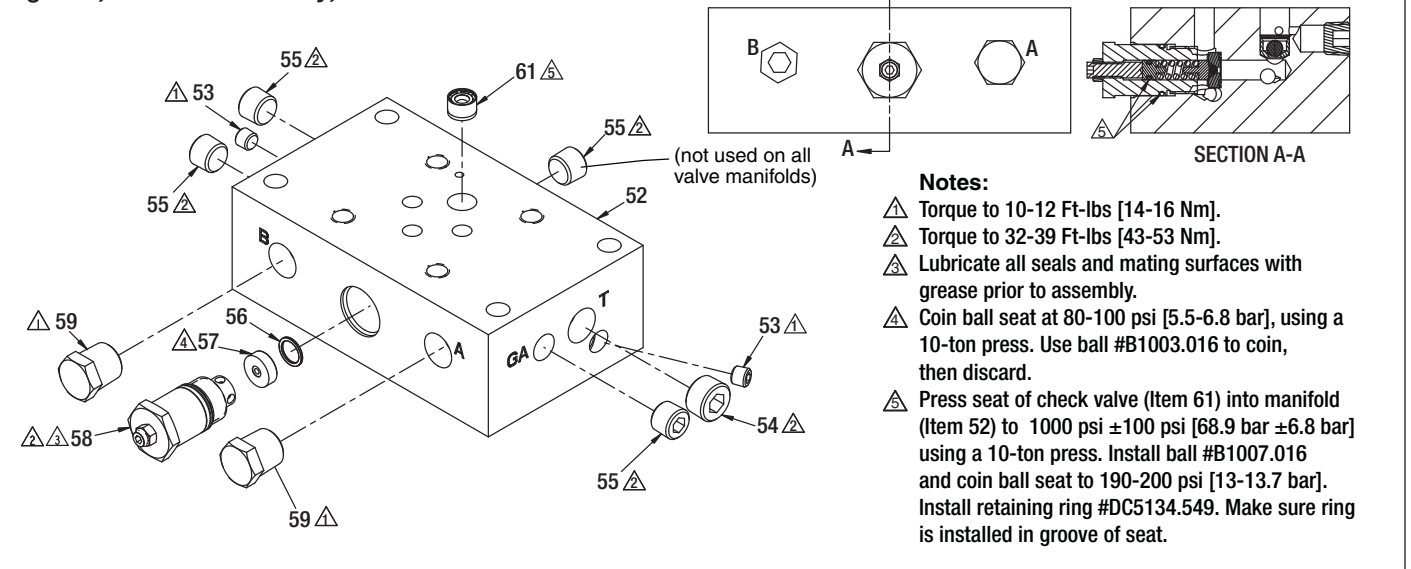
- Notes:
- Torque to 10-12 Ft-lbs [14-16 Nm].
  - Torque to 32-39 Ft-lbs [43-53 Nm].
  - Lubricate all seals and mating surfaces with grease prior to assembly.
  - Coin ball seat at 80-100 psi [5.5-6.8 bar], using a 10-ton press. Use ball #B1003.016 to coin, then discard.

**Repair Parts List for Figure 5, DC6868950SR, Manifold Assembly, VM33L**

Item	Part Number	Qty.	Description	Item	Part Number	Qty.	Description
52	★ DC6323038	1	Port Manifold	56	★ P20037	1	Gasket
53	★ DC6792245	2	Flush Plug 1/16"	57	★ DC5124290	1	Seat
54	★ DC6795245	2	Flush Plug 3/8"	58	★ DC5139900SR	1	Relief Valve Assy. (see Fig. 7)
55	★ DC6794245	3 or 4	Flush Plug 1/4"	59	★ R515245-2	1	Plug

★ Items included in Repair Kit DC6868950SR.

**Figure 6, Manifold Assembly, VM43 & VM43M**

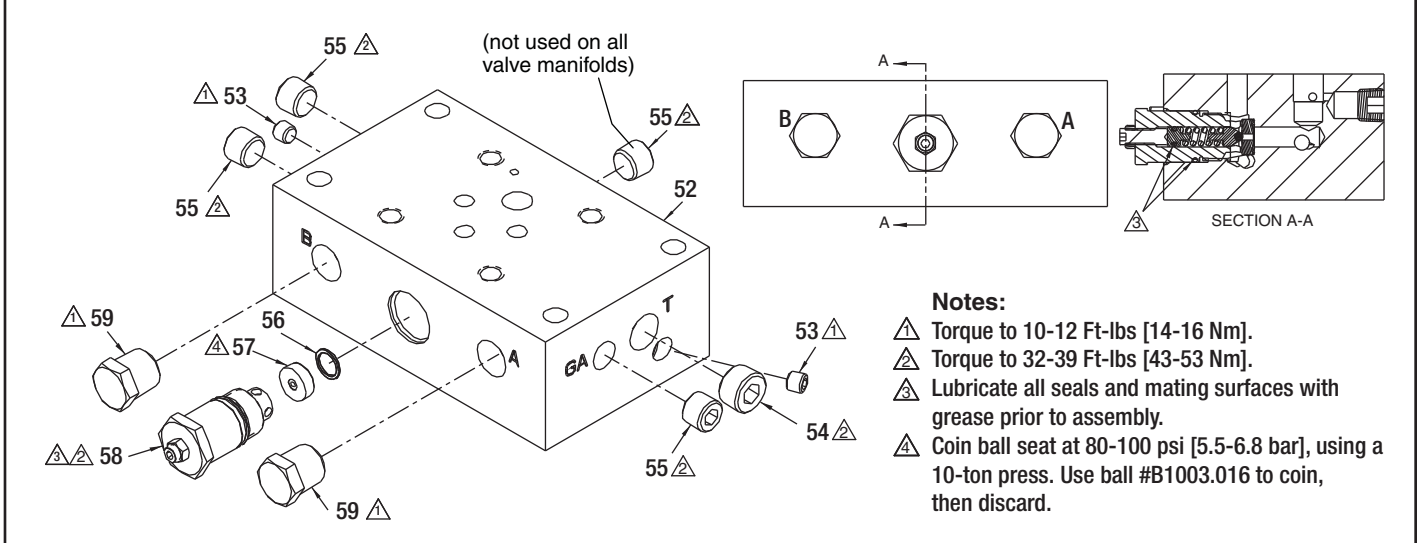


**Repair Parts List for Figure 6, DC5947950SR, Manifold Assembly, VM43 & VM43M**

Item	Part Number	Qty.	Description	Item	Part Number	Qty.	Description
52	★ DC6308038	1	Manifold	57	★ DC5124290	1	Relief Valve Seat
53	★ DC6792245	2	1/16 Plug	58	★ DC5139900SR	1	Relief Valve Assy. (See Fig. 7)
54	★ DC6795245	1	3/8 Plug	59	★ R515245-2	2	Plug
55	★ DC6794245	3 or 4	1/4 Plug	61	★ DC5140900	1	Check Valve (See Fig. 8)
56	★ P20037	1	Gasket				

★ Items included in Repair Kit DC5947950SR.

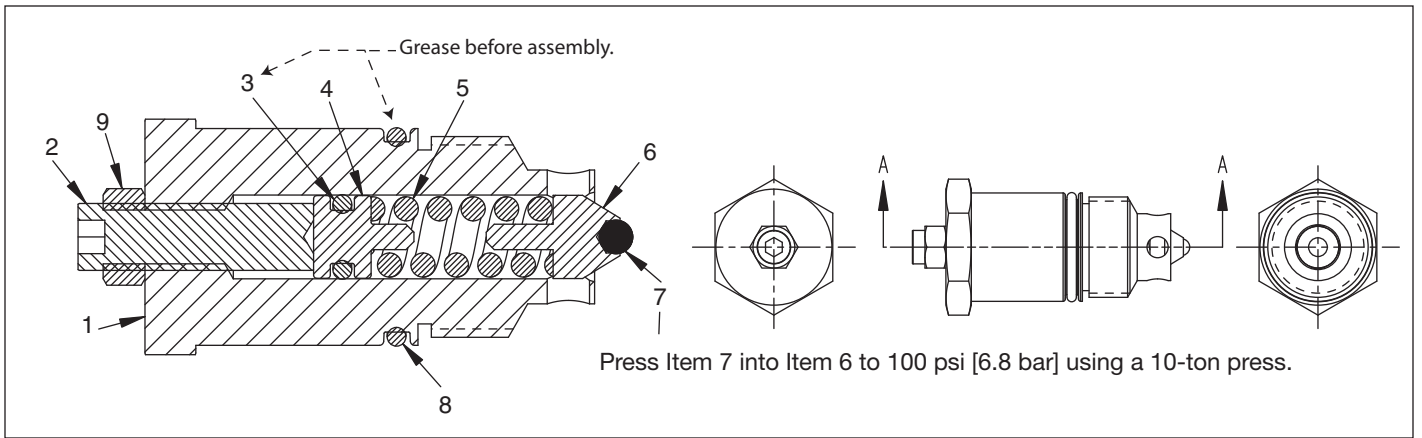
**Figure 6A, Manifold Assembly, VM43L**



**Repair Parts List for Figure 6A, DC6177950SR, Manifold Assembly, VM43L**

Item	Part Number	Qty.	Description	Item	Part Number	Qty.	Description
52	★ DC6308038	1	Manifold	56	★ P20037	1	Gasket
53	★ DC6792245	2	1/16 Plug	57	★ DC5124290	1	Relief Valve Seat
54	★ DC6795245	1	3/8 Plug	58	★ DC5139900SR	1	Relief Valve Assy. (See Fig. 7)
55	★ DC6794245	3 or 4	1/4 Plug	59	★ R515245-2	2	Plug

★ Items included in Repair Kit DC5947950SR.



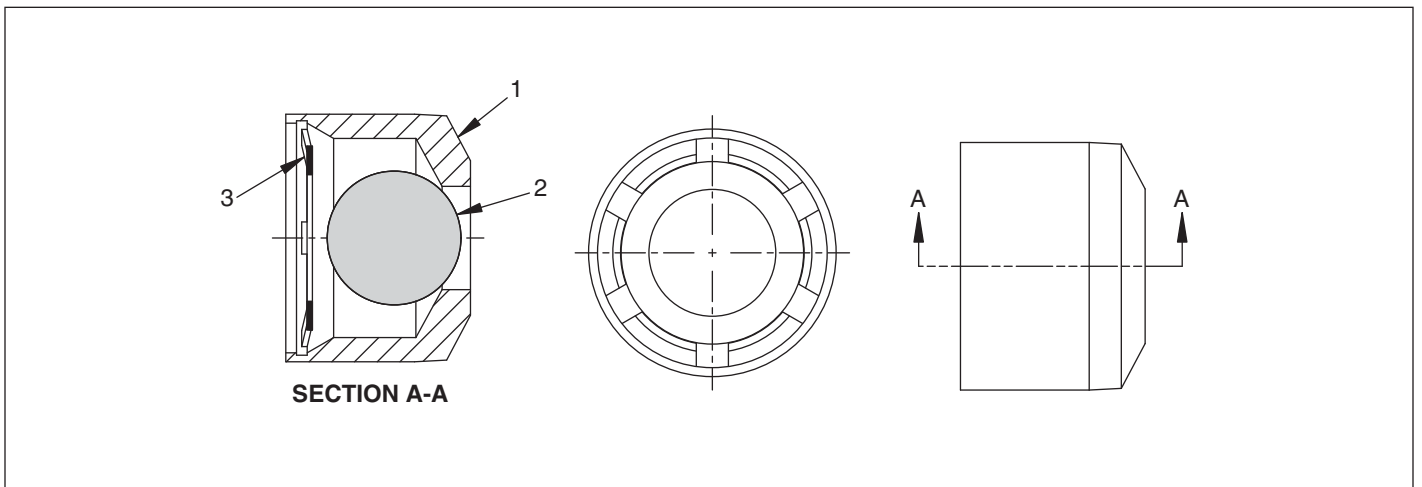
**Figure 7, User-Adjustable Relief Valve Assembly**

**Repair Parts List for Figure 7, DC5139900SR, User Adjustable Relief Valve Assembly**

Item	Part Number	Qty.	Description	Item	Part Number	Qty.	Description
1	★ DC5138190	1	Body	7	★ B1003016	1	1/8 Dia. Ball
2	★ BC2512027FX	1	Set Screw	8	★ B1223503	1	O-Ring
3	★ B1003503	1	O-Ring	9	★ B1001122	1	Lock Nut
4	★ DC5127007	1	Plug		★▲ DC5124290	1	Seat (not shown)
5	★ A8126110	1	Spring		★▲ P20037	1	Gasket (not shown)
6	★ DC5125013	1	Guide				

★ Items included in Repair Kit DC5139900SR.

▲ See Figures 4, 5, 6 & 6A, items 56 and 57.



**Figure 8, In-line Check Valve**

**Repair Parts List for Figure 8, DC5140900SR,**

**In-line Check Valve**

Item	Part Number	Qty.	Description
1	---	1	Seat (available only in the manifold)
2	★ B1007016	1	1/4 Ball
3	★ DC5134549	1	Retaining Ring

★ Items included in and available only as part of Repair Kit DC5140900SR.

## TROUBLESHOOTING AND REPAIR OF VM33, VM33M, VM33L, VM43, VM43M, VM43L MANUAL VALVE

In diagnosing malfunctioning valves, certain symptoms may be common not only to valves, but often to hydraulic equipment in general. Before repairing the valve, mount a different VM valve onto the pump and verify that the problem is not with the pump.

### TROUBLESHOOTING:



**CAUTION:** Standard safety procedures are to be followed during assembly to minimize any possibility of injury.

1. Inability to obtain any pressure may be the result of damaged connector seals on the pump, or failed relief valve components (items 6, 7, figure 7) a damaged ball and seat in the body (items 1, 2, figure 8), or damaged or worn shear seals and disc (items 16, 18, 84, figure 1D). These problems are usually a symptom of contaminated hydraulic oil. The system should be drained and refilled with fresh ENERPAC hydraulic oil.
2. Pressure leaks that are consistent and increase proportionately with increasing pressure ranges are usually the result of leaking gaskets or threaded surfaces such as NTPF fittings or plugs.
3. Ball seat leakage is often erratic and intermittent and is caused by contaminants trapped on the sealing edge. Over time, as wear occurs, these seats will need to be replaced.
4. Leakage observed on the external surfaces around the shaft (item 13, figure 1D) is an indication that the o-ring (item 15) and backup ring (item 14) need to be replaced.
5. Leakage observed on the external surfaces around the relief valve body (item 1, figure 7) is an indication that the o-ring (item 8) needs to be replaced.

### DISASSEMBLY:

1. Remove the 4 socket head cap screws (item 76, figure 1C) and remove the valve from the pump.
2. Remove the return tube (item 75) and gasket (item 70).
3. Remove the screw (item 1, figure 1D) and washer (item 2) from the shaft (item 13).
4. All models except VM33M & 43M: Remove the handle (item 3), disk (item 4) ball (item 5) and spring (item 6).
5. Models VM33M & VM43M only: Remove handle cap (item 66) lever (item 67) and knob (item 68) as an assembly. Remove ball (item 5) and spring (item 6).
6. Remove the 4 socket head cap screws (item 7) and remove the upper valve assy. (item 44, figures 1A & 1B) from the manifold (item 27) or locking valve block (item 45 or 46).
7. Remove the 2 socket head cap screws (item 24, figure 1D) and separate the body (item 23) from the valve cap (item 9).
8. Remove the shaft assembly and inspect the o-ring (item 15) and backup ring (item 14) for damage. Replace if needed.
9. Remove the o-ring (item 10) and inspect for damage such as nicks or cuts. Replace if needed.
10. Remove the bearing (item 12) and bearing plate (item 11) and inspect for damage. Replace if needed.
11. Remove the shear seal assemblies (items 18-20 or 84-86) from the bores in the body.
12. Remove o-rings (item 20 or 86) and backup washers (item 19 or 85) and inspect for damage. Replace if needed.

13. Remove springs (item 22) and inspect for damage such as breakage or permanent set. Replace if needed.
14. Disassembly of the manifold is as follows:
15. Loosen lock nut (item 9, figure 7) and unscrew the set screw. (item 2).
16. Using a 7/8" socket, loosen and remove the relief valve assembly (item 58, figures 4, 5, 6 & 6A) from the body.
17. Remove the seat (item 57) from the body.
18. Inspect the seat for damage such as nicks or dents on the sharp edge of the internal diameter. Replace if necessary.
19. Inspect the o-ring (item 8, figure 7) for damage and replace if necessary.
20. Inspect the ball (item 7) and guide (item 6). Replace if necessary.
21. Remove the pipe plugs (item 53, 54, 55, figures 4, 5, 6 & 6A) and clean the body. Inspect body for damages.

### REASSEMBLY:

#### Procedure for Manifold Assembly

1. Apply Teflon tape to threads. Install new pipe plug (item 53, figures 4, 5, 6 & 6A) and torque to 10-12 ft-lbs [14-16 Nm]. Install pipe plug (item 54, 55) and torque to 32-39 ft-lbs [43-52 Nm].
2. Install copper gasket (item 56) onto seat (item 57), with round edges facing away from the seat.
3. Place seat onto the bottom counter bore in the valve body, with the gasket side down. Note: make sure that the seat is firmly seated and not crooked.
4. Grease o-ring on relief valve assembly and insert into cavity in the valve body.
5. Torque relief valve assembly (Item 58) to 32-39 Ft-lbs [43-53 Nm].

#### Procedure for Upper Manual Valve Assembly

1. Position plate (item 11, figure 1D) and bearing (item 12) into cap.
2. Place o-ring (item 10) into cap groove.
3. Place o-ring (item 15) and backup ring (item 14) onto shaft (item 13). The o-ring is placed closest to the threaded end of the shaft.
4. Place roll pin (item 17) into thru hole in disc (item 16). Insert shaft (item 13) into disc from the solid side of the disc. Align the thru hole in the shaft with the thru hole in the disc and press or hammer roll pin until flush with disc outside diameter.
5. Lubricate the o-ring and backup ring on the shaft with grease. Insert the shaft and disc assembly into the valve cap (item 9).
6. Place springs (item 22) in each of 3 holes except for hole on tank side of the body (item 23).
7. All models except VM33M & VM43M: Assemble each shear seal (item 18) with 2 backup washers (item 19) and 1 o-ring (item 20). The o-ring is placed between the backup washers.
8. Models VM33M & VM43M Only: Assemble each shear seal (item 84) with 1 backup washer (item 85) and 1 o-ring (item 86). The o-ring is placed under the backup washer.
9. Lubricate the o-rings and backup washers. Insert the shear



seal assemblies into body (item 23) by hand.

10. Tighten body onto cap with 2 screws (item 24) with a 5/32" hex wrench, hand tight.
11. Place 4 o-rings (item 25) onto body.
12. Mount upper valve assy onto manifold or locking valve block using 4 socket head cap screws (item 7, figure 1A & 1B). Torque to 28-34 ft-lbs [38-46 Nm].
13. Insert spring (item 6, figure 1D) into hole in valve cap (item 9). Install ball (item 5) onto the spring.
14. All models except VM33M & VM43M: Place disk (item 4) with sharp edged side facing upwards onto the shaft and resting on ball. Place handle (item 3) onto shaft.
15. Models VM33M & VM43M Only: Place handle cap (item 66), lever (item 67) and knob (item 68) onto shaft as an assembly.
16. Insert washer (item 2) onto shaft. Apply Loctite 222 to threads on screw (item 1) and hand tighten.

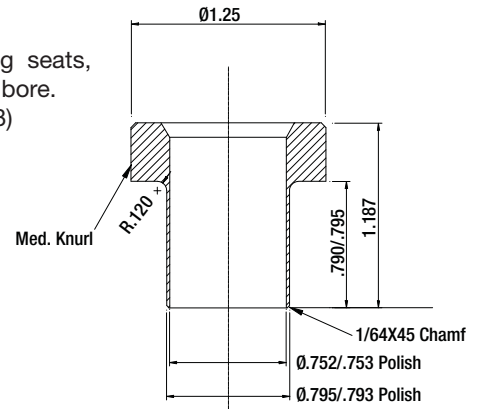
#### Procedure for Locking Valve Blocks only

1. Seat a new ball (item 35, figures 2 & 3) onto seat (item 39) with press (195 psi with 10-ton ram or 380 psi with 5-ton ram). Make two assemblies for a 4-way block or only one for a 3-way block. Set these parts aside.
2. Place o-ring (item 36) and washer (item 37) onto each seat (item 39) and lubricate with grease. Set these parts aside.
3. Place gasket (item 32) and o-ring (item 33) onto each plug (item 31). Set these parts aside.
4. Lubricate bore in valve block (item 43) with oil.
5. On 3-way blocks only: Place the uncoined seat assembly (items 36, 37 & 39 - without ball) into one end of bore. Use special tool AT100479. Do not install ball (item 35) or spring (item 34) on this end. Refer to figure 2.
6. On 4-way blocks only: Place the first seat assembly (items 36, 37 & 39) into either end of bore with ball (item 35) facing up. Use special tool AT100479. Refer to figure 3.
7. On 4-way blocks only: Dip a spring (item 34, figure 4) in grease and place into plug (item 31).
8. Thread plug assembly (items 31-33 and item 34, if used) into bore opening on same end as seat was installed. Torque to 85-95 ft-lbs [115-129 Nm].
9. Turn over valve block (item 43, figures 2 & 3) so that opposite end of bore is facing up. Lubricate bore with oil.
10. Assemble piston (item 42) with o-ring (item 41) and 2 backup washers (item 40). Place piston assembly (items 40-42) into bore. Use special tool AT100479-1.
11. Place the second seat assembly (items 36, 37 & 39) into bore with ball (item 35) facing up. Use special tool AT100479.
12. Dip spring (item 34) in grease and place into plug (item 31).
13. Thread plug assembly (items 31-33) with spring (item 34) into bore opening. Torque to 85-95 ft-lbs [115-129 Nm].
14. Place o-rings (item 26, figure 1B) onto manifold (item 27).

#### Special Tools

##### AT100479

Use for installing seats, item 39, into the bore. (see figures 2 & 3)



##### AT100479-1

Use for installing piston assembly, items 40-42, into the bore. (see figures 2 & 3)

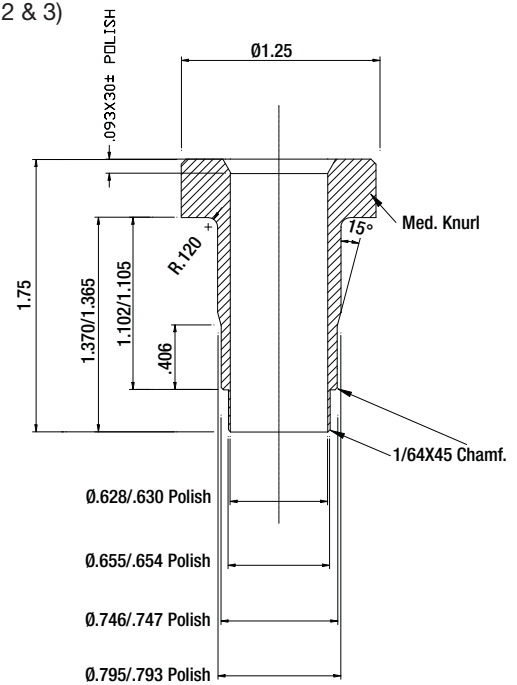


Figure 9, Special Tools

#### Relief Valve Adjustment

The valve assembly is equipped with a user-adjustable relief valve. Adjust pressure as follows:

##### VM33, VM33M, VM43 and VM43M Only

1. Install a 0-15,000 psi [0-1,035 bar] gauge in the "A" port (see Figure 10).
2. VM43 and VM43M Only: Place a 3/8" pipe plug in the "B" port and torque to 25 ft-lbs [33 Nm].
3. Loosen the relief valve locknut to permit adjustment of set screw.

4. Rotate the control valve handle to the neutral ("3") position. See Figure 11 for VM33 and VM43 valve positions. See Figure 12 for VM33M and VM43M valve positions.
5. Start the pump and allow the oil to warm.
6. Rotate the control valve handle to the advance ("1") position. Allow pressure to build.
7. To increase pressure: SLOWLY turn the relief valve set screw clockwise until pressure increases to the desired setting.  
NOTE: An internal check valve in the manifold will prevent the pressure from dropping when the set screw is turned counter-clockwise. To lower the pressure setting, follow the procedure in steps 8a through 8e.
8. To decrease pressure:
  - a. Be sure the pump is running.
  - b. Rotate the control valve handle to the neutral ("3") position to relieve pressure on the "A" port.
  - c. Turn the relief valve set screw counter-clockwise one turn.
  - d. Rotate the control valve handle to the advance ("1") position.
  - e. SLOWLY turn the relief valve set screw clockwise until pressure increases to the desired setting.
9. When the desired pressure setting is reached, lock the set screw with the locknut. DO NOT overtighten.
10. Before turning off pump, rotate the control valve handle momentarily to the retract ("2") position to relieve pressure at the "A" port. Then, rotate the handle to the neutral ("3") position. Check that gauge indicates zero (0) psi.
11. Stop the pump.

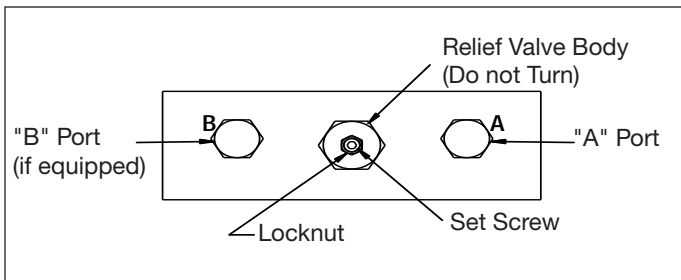


Figure 10, Adjustment Details

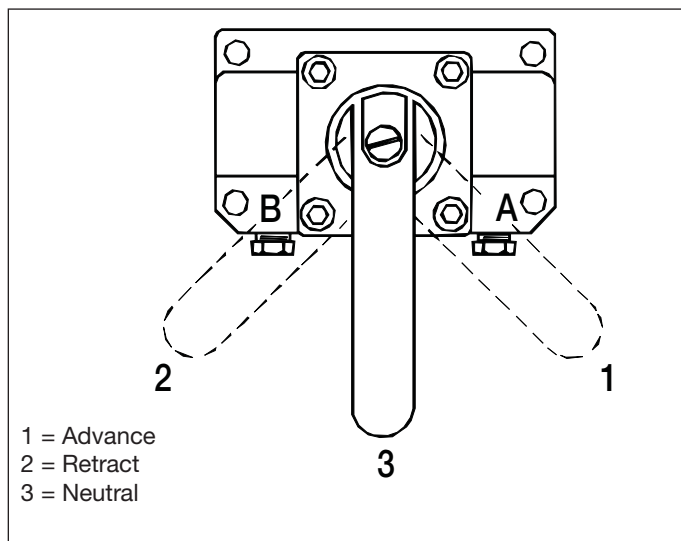


Figure 11, Valve Handle Positions, VM33, VM33L, VM43, VM43L

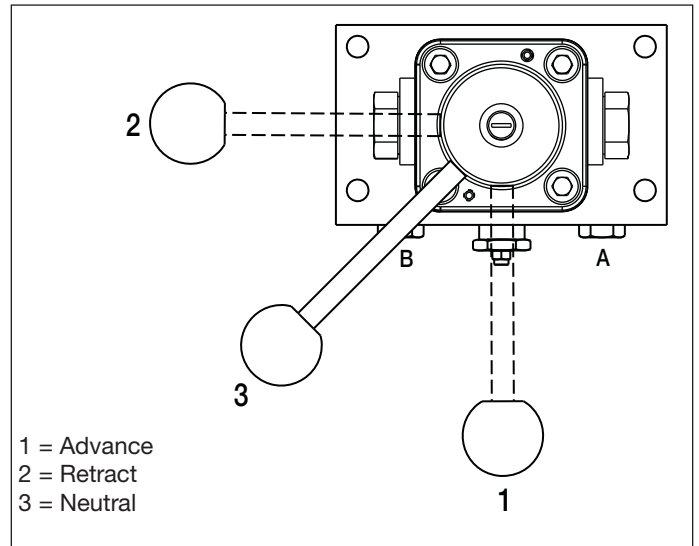


Figure 12, Valve Handle Positions, VM33M, VM43M

#### VM33L and VM43L Only

1. Install a 0-15,000 psi [0-1,035 bar] gauge in the "A" port (see Figure 10).
2. VM43L Only: Install a 3/8" pipe plug in the "B" port and torque to 25 ft-lbs [33 Nm].
3. Loosen the relief valve locknut to permit adjustment of set screw.
4. Rotate the control valve handle to the neutral ("3") position. See Figure 11 for valve positions.
5. Start the pump and allow the oil to warm.
6. Rotate the control valve handle to the advance ("1") position. Allow pressure to build.
7. To increase pressure: With the pump running, SLOWLY turn the relief valve set screw clockwise until "A" port pressure increases to the desired setting.  
NOTE: A pilot-operated check valve in the locking valve block will prevent the pressure from dropping when the set screw is turned counter-clockwise. To lower the pressure setting, follow the procedure in steps 8a through 8e.
8. To decrease pressure:
  - a. Be sure the pump is running.
  - b. Rotate the control valve handle to the retract ("2") position momentarily. Then, rotate the handle to the neutral ("3") position. This will activate the pilot-operated check valve and relieve pressure at the "A" port.
  - c. Turn the relief valve set screw counter-clockwise one turn.
  - d. Rotate the control valve handle to the advance ("1") position.
  - e. SLOWLY turn the relief valve set screw clockwise until "A" port pressure increases to the desired setting.
9. When the desired pressure setting is reached, lock the set screw with the locknut. DO NOT overtighten.
10. Before turning off pump, rotate the control valve handle momentarily to the retract ("2") position to relieve pressure at the "A" port. Then, rotate the handle to the neutral ("3") position. Check that gauge indicates zero (0) psi.
11. Stop the pump.

L2613 Rev. H 08/18

**DÉPANNAGE ET RÉPARATION DES SOUPAPES MANUELLES VM33, VM33M, VM33L, VM43, VM43M, VM43L**

Lors du diagnostic de soupapes défectueuses, certains des symptômes sont communs non seulement aux soupapes, mais plus généralement à d'autres pièces hydrauliques. Avant de réparer la soupape, installer un module VM22 différent sur la pompe et vérifier si le problème persiste.

**DÉPANNAGE**

**AVERTISSEMENT :** Il est nécessaire de suivre des procédures normales de sécurité au cours de l'assemblage pour minimiser tout risque de blessures.

1. Une absence de pression peut provenir de joints connecteurs endommagés sur la pompe, d'un composant défectueux de la soupape de retour (articles 6 et 7, figure 7), une bille et un siège endommagés dans le corps (articles 1 et 2, figure 8) ou de joints de cisaillement et disque endommagés (articles 16, 18 et 84, figure 1D). Ces problèmes indiquent normalement une huile hydraulique contaminée. Le système devrait être vidangé, puis rempli avec de l'huile hydraulique ENERPAC neuve.
2. Des fuites régulières sous pression et augmentant proportionnellement aux plages de pression sont normalement provoquées par des joints ou des filetages fuyants, par exemple des raccords ou capuchons NTPF.
3. Une fuite, au niveau du siège de bille, est souvent irrégulière et intermittente et est provoquée par des saletés emprisonnées sur le bord du scellement. Plus tard, avec l'usure, ces sièges devront être remplacés.
4. Une fuite, sur les surfaces externes, autour de l'axe (article 13, figure 1D) indique que le joint torique (article 15) et la bague d'appui (article 14) ont besoin d'un remplacement.
5. Des fuites apparaissant sur les surfaces externes, autour du corps de la soupape de retour (article 1, figure 7) indiquent que le joint torique (article 8) doit être remplacé.
6. (article 44, figures 1A et 1B) du collecteur (article 27) ou le blocage de la valve (article 45 ou 46).
7. Retirer les deux (2) vis d'assemblage à six pans creux (article 24, figure 1D), puis séparer le corps (article 23) du capuchon de la soupape (article 9).
8. Enlever le module de l'axe et inspecter le joint torique (article 15) et la bague d'appui (article 14) pour tout signe de dommages. Remplacer le cas échéant.
9. Retirer le joint torique (article 10) puis rechercher tout signe éventuel de dommages, par exemple entailles ou coupures. Remplacer le cas échéant.
10. Enlever le roulement à billes (article 12) et la plaque, puis inspecter pour tout signe de dommages. Remplacer le cas échéant.
11. Retirer le joint de cisaillement (articles 18-20 ou 84-86) des alésages dans le corps.
12. Enlever les joints toriques (article 20 ou 86) et les rondelles de retenue (article 19 ou 85), puis inspecter pour tout signe de dommages. Remplacer le cas échéant.
13. Retirer les ressorts (article 22), puis inspecter pour tout signe de dommages, par exemple un bris ou un grippage permanent. Remplacer le cas échéant.
14. Effectuer le démontage du collecteur de la façon suivante :
15. Desserrer l'écrou de blocage (article 9, figure 7) et dévisser la vis de calage (article 2).
16. À l'aide d'une douille de 22,2 mm (7/8 po), desserrer et déposer la soupape de retour (article 58 figure 4, 5, 6 et 6A) du corps.
17. Retirer le siège (article 57, figure 1) du corps.
18. Inspecter le siège pour tout signe de dommages, par exemple une entaille ou une encoche, sur le rebord tranchant du diamètre interne. Remplacer le cas échéant.
19. Inspecter le joint torique (article 8, figure 7) pour tout signe de dommages et remplacer le cas échéant.
20. Contrôler la bille (article 7) et le guide (article 6). Remplacer le cas échéant.
21. Retirer les capuchons du flexible (articles 53, 54, 55, figures 4, 5, 6 et 6A) et nettoyer le corps. Inspecter le corps pour tout signe de dommages.

**DÉMONTAGE :**

1. Déposer les quatre (4) vis d'assemblage à six pans creux, puis déposer la soupape de la pompe (article 76, figure 1C).
2. Retirer le flexible de retour (article 75), puis le joint (article 70).
3. Déposer la vis (article 1, figure 1D) et la rondelle (article 2) de l'axe (article 13)
4. Tous les modèles, sauf VM33M et 43M : Enlever la poignée (article 3), --- le disque (article 4) bille (article 5) et ressort (article 6).
5. Modèles VM33M et VM43M seulement : Retirer ensemble le capuchon de la poignée (article 66) levier (article 67) et bouton (article 68). Déposer la bille (article 5) puis les ressorts (article 6).
6. Déposer les quatre (4) vis d'assemblage à six pans creux (article 7) puis déposer l'ensemble soupape supérieur

**RÉASSEMBLAGE :****Procédure d'assemblage du collecteur**

1. Appliquer du ruban Teflon autour des filets. Insérer un nouveau capuchon de flexible (article 53, figures 4, 5, 6 et 6A) puis serrer-le au couple de 14 à 16 Nm (10 à 12 pi-lb). Insérer un capuchon de flexible (articles 54 et 55), puis serrer à un couple de 43 à 52 Nm (32 à 39 pi-lb).
2. Insérer un joint d'étanchéité statique en cuivre (article 56) sur le siège (article 57) avec les bords ronds qui s'éloignent

du siège.

3. Insérer le siège au fond du trou de contre-alésage du corps de la soupape avec le joint tourné vers le bas. Remarque: s'assurer que le siège est fermement en place et non déviant.
4. Graisser le joint torique de la soupape de retour et l'insérer dans la cavité du corps de soupape.
5. Imprimer un couple (article 58) 43-53 Nm [32 à 39 pi-lb] sur la soupape de retour.

#### **Procédure d'assemblage de la soupape manuelle supérieure**

1. Positionner la plaque (article 11, figure 1D) et la bille de roulement (article 12) dans le capuchon.
2. Insérer le joint torique (article 10) dans la rainure du capuchon.
3. Insérer le joint torique (article 15) et la rondelle de retenue (article 14) sur l'axe (article 13). Le joint torique est installé le plus près possible de l'extrémité fileté de l'axe.
4. Insérer la goupille cylindrique (article 17) dans le trou sur le disque (article 16). Insérer l'axe (article 13) dans le disque du côté solide du disque. Aligner le trou sur l'axe avec le trou sur le disque, puis insérer ou marteler la goupille cylindrique jusqu'à ce que celle-ci soit à niveau avec le diamètre externe du disque.
5. Graisser le joint torique et la bague de retenue sur l'axe. Insérer l'axe et le module du disque dans le capuchon de la soupape (article 9).
6. Insérer des ressorts (article 22) dans chacun des trois (3) trous sauf pour le trou du côté du réservoir du corps.
7. Tous les modèles, sauf VM33M et VM43M : Assembler chaque joint de cisaillement (article 18) avec deux (2) bagues de retenue (article 19) et un joint torique (article 20). Le joint torique est inséré entre les rondelles de retenue.
8. Modèles VM33M et VM43M seulement : Assembler chaque joint de cisaillement (article 84) avec deux (1) rondelles de retenue (article 85) et un joint torique (article 86). Le joint torique est inséré sous les bagues de retenue.
9. Lubrifier les joints toriques et les rondelles de retenue. Insérer manuellement les modules de joint de cisaillement dans le corps (article 23).
10. Serrer à la main le corps sur le capuchon à l'aide de deux (2) vis (article 24) avec une clé hexagonale de 4 mm (5/32 po).
11. Insérer quatre (4) joints toriques (article 25) sur le corps.
12. Monter le bloc supérieur de vanne sur le collecteur ou la valve de blocage avec 4 vis d'assemblage à six pans creux (article 7, figure 1A et 1B). Serrer à un couple de 38 à 15 Nm (28 à 11 pi-lb).
13. Insérer le ressort (article 6, figure 1D) dans le trou du capuchon de la soupape (article 9). Installer la bille (article 5) sur le ressort.
14. Tous les modèles, sauf VM33M et VM43M : Insérer le disque (article 4), côté effilé vers le haut, sur l'axe, reposant sur la bille. Insérer la poignée (article 3) sur l'axe.
15. Modèles VM33M et VM43M seulement : Poser le capuchon de poignée (article 66), le levier (article 67) et le bouton (article 68) sur l'axe comme assemblage.
16. Insérer la rondelle (article 2) sur l'axe. Appliquer du Loctite® 222 sur les filets de la vis (article 1), puis serrer manuellement.

#### **Procédure pour verrouiller les soupapes de blocage seulement :**

1. Presser la nouvelle bille (article 35, figure 2 et 3) en position

sur le siège (article 39, figure 4) à l'aide d'une presse (195 psi avec pilon de 10 tonnes, ou 380 psi avec pilon de 5 tonnes). Monter deux modules pour un bloc verrouillable à quatre (4) voies et un seul pour un bloc verrouillable à trois (3) voies. Mettre ces pièces de côté.

2. Insérer un joint torique (article 36) et une rondelle (article 37) sur chaque siège, puis lubrifier avec de la graisse. Mettre ces pièces de côté.
3. Poser le piston (article 32) avec un joint torique (article 334) sur chaque bouchon (article 31). Mettre ces pièces de côté.
4. Lubrifier les alésages dans la soupape de blocage (article 43) avec de l'huile.
5. Sur bloc 3 voies seulement : Poser l'ensemble du siège non matricé (article 36, 37 et 39 – sans la bille) dans une des extrémités de l'alésage. Utiliser l'outil spécial no AT1100479. Ne pas installer la bille (article 35) ni le ressort (article 34) dans cette extrémité. Consulter la figure 2.
6. Sur blocs 4 voies seulement : Poser l'ensemble du premier siège (article 36, 37 et 39) dans l'une des extrémités de l'alésage avec bille (article 35) par en haut. Utiliser l'outil spécial no AT1100479. Consulter la figure 3.
7. Sur blocs 4 voies seulement : Plonger le ressort (article 34, figure 4) dans la graisse et le placer dans le capuchon (article 31).
8. Visser le bouchon (articles 31-33 et article 34, le cas échéant) dans l'ouverture de l'alésage du même côté que l'installation du siège. Serrer à un couple de 115 à 129 Nm (85 à 95 pi-lb).
9. Tourner la valve de blocage (article 43, figures 2 et 3) afin que l'extrémité de l'alésage soit vers le haut. Lubrifier l'alésage avec de l'huile.
10. Assembler le piston (article 42) avec un joint torique (article 4) et deux (2) rondelles de retenue (article 40). Poser l'ensemble de piston (article 40 à 42) dans l'alésage. Utiliser l'outil spécial no AT1100479-1.
11. Poser l'ensemble du second siège (article 36, 37 et 39) dans l'une des extrémités de l'alésage avec bille (article 35) par en haut. Utiliser l'outil spécial no AT1100479.
12. Plonger le ressort (article 34) dans la graisse et le placer dans le capuchon.
13. Visser le bouchon (article 31 à 33) avec le ressort (article 34) dans l'ouverture de l'alésage. Serrer à un couple de 115 à 129 Nm (85 à 95 pi-lb).
14. Insérer les joints toriques (article 26, figure 1B) dans le collecteur (article 27).

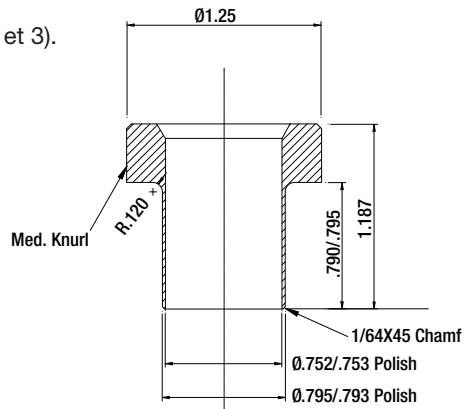
#### **Réglage de la soupape de retour.**

La soupape est dotée d'un clapet de retour réglable intégré. Régler la pression comme suit :

## Outils spéciaux

### AT100479

Utiliser pour installer les sièges, article 39, dans l'alésage. (voir les figures 2 et 3).



### AT100479-1

Utiliser pour installer le piston, article 40 à 42, dans l'alésage. (voir les figures 2 et 3).

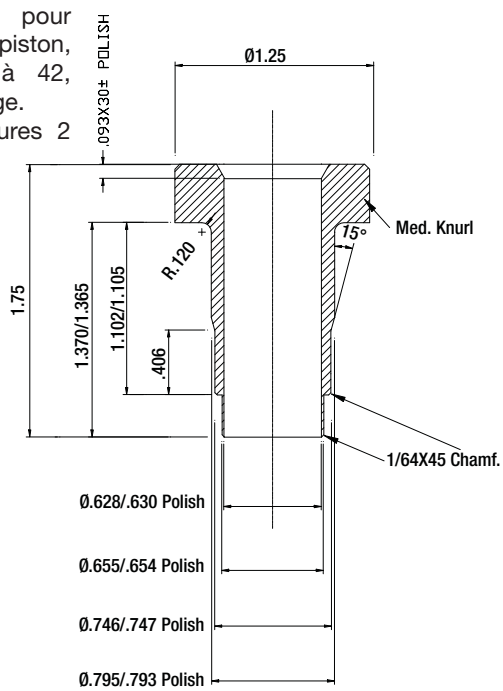


Figure 9, Outils spéciaux

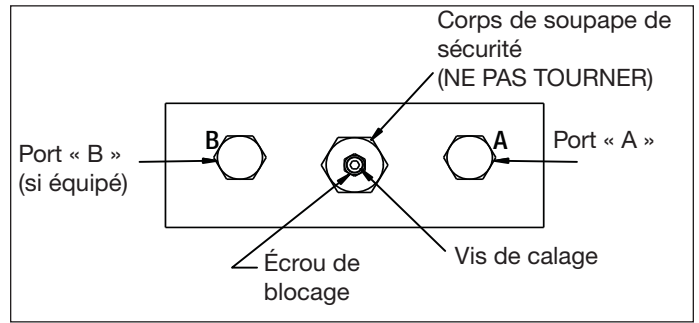


Figure 10

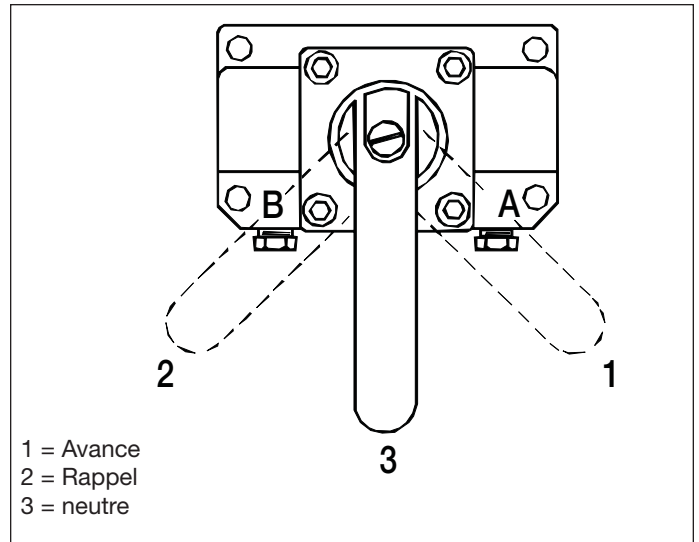


Figure 11, Positions de la poignée de valve, VM33, VM33L, VM43, VM4

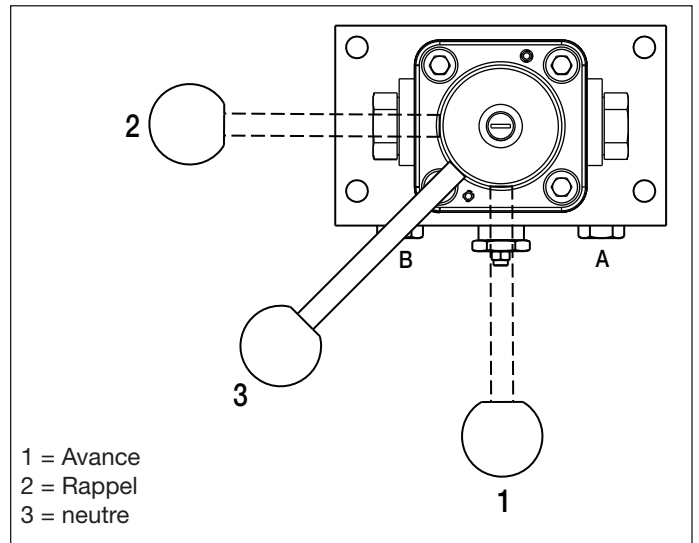


Figure 12, Positions de la poignée de valve, VM33M, VM43M

### **VM33, VM33M, VM43 et VM43M seulement**

1. Installer une jauge de 0 à 1 035 bar (0 à 15 000 psi) sur le port « A » (Figure 10).
2. Modèles VM43 et VM43M seulement : Insérer un capuchon de flexible de 9,5 mm (3/8 po) dans le port « B » et serrer à un couple de 33 Nm (25 pi-lb).
3. Desserrer l'écrou de blocage de la soupape de retour pour permettre de régler la vis.
4. Faire tourner la soupape de commande en position neutre (« 3 »). Voir la figure 11 pour les positions de la soupape VM33 et VM43. Voir la figure 12 pour les positions de la soupape VM33M et VM43M.
5. Faire démarrer la pompe et permettre à l'huile de se réchauffer.
6. Faire tourner la soupape de commande en position avancée (« 1 »). Laisser la pression s'accumuler.
7. Pour augmenter la pression : LENTEMENT tourner la vis de réglage de la soupape de retour dans le sens horaire jusqu'à ce que la pression augmente au réglage souhaité.  
REMARQUE : Une soupape de vérification interne dans le collecteur empêche la pression de chuter lorsque la vis de réglage est tournée dans le sens antihoraire. Pour baisser le réglage de pression, suivre la procédure indiquée aux étapes 8a à 8e.
8. Pour diminuer la pression :
  - a. S'assurer que la pompe tourne.
  - b. Faire tourner la soupape de commande en position neutre (« 3 ») afin de relâcher la pression sur le port « A ».
  - c. Tourner la vis de réglage de la soupape de retour un tour dans le sens antihoraire.
  - d. Faire tourner la soupape de commande en position avancée (« 1 »).
  - e. LENTEMENT tourner la vis de réglage de la soupape de retour dans le sens horaire jusqu'à ce que la pression augmente au réglage souhaité.
9. Une fois la pression exigée atteinte, verrouiller la vis de calage à l'aide du contre-écrou. Ne pas trop serrer.
10. Avant d'éteindre la pompe, faire tourner la soupape de commande momentanément jusqu'à la position rappel afin de relâcher la pression sur le port « A ». Puis, tourner la poignée jusqu'à la position neutre (« 3 »). Vérifier que la jauge indique zéro (0) psi.
11. Arrêter la pompe.

### **Modèles VM33L et VM43L seulement**

1. Installer une jauge de 0 à 1 035 bar (0 à 15 000 psi) sur le port « A » (Figure 10).
2. VM43L seulement : Insérer un capuchon de flexible de 9,5 mm (3/8 po) dans le port « B » et serrer à un couple de 33 Nm (25 pi-lb).
3. Desserrer l'écrou de blocage de la soupape de retour pour permettre de régler la vis.
4. Faire tourner la soupape de commande en position neutre (« 3 »). Voir la figure 11 pour les positions de soupape.
5. Faites démarrer la pompe et permettre à l'huile de se réchauffer.
6. Faites tourner la soupape de commande en position avancée (« 1 »). Laisser la pression s'accumuler.
7. Pour augmenter la pression : Lorsque la pompe tourne,

LENTEMENT tourner la vis de réglage de la soupape de retour dans le sens horaire jusqu'à ce que la pression du port « A » augmente au réglage souhaité.

REMARQUE : Une soupape de vérification pilotée dans la soupape de blocage empêche la pression de chuter lorsque la vis de réglage est tournée dans le sens antihoraire. Pour baisser le réglage de pression, suivre la procédure indiquée aux étapes 8a à 8e.

8. Pour diminuer la pression :
  - a. S'assurer que la pompe tourne.
  - b. Faire tourner la soupape de commande en position rappel (« 2 ») momentanément. Puis, tourner la poignée jusqu'à la position neutre (« 3 »). Ceci activera la soupape de vérification pilotée et relâchera la pression au port « A ».
  - c. Tourner la vis de réglage de la soupape de retour un tour dans le sens antihoraire.
  - d. Faire tourner la soupape de commande en position avancée (« 1 »).
  - e. LENTEMENT tourner la vis de réglage de la soupape de retour dans le sens horaire jusqu'à ce que la pression du port « A » augmente au réglage souhaité.
9. Une fois la pression exigée atteinte, verrouiller la vis de calage à l'aide du contre-écrou. Ne pas trop serrer.
10. Avant d'éteindre la pompe, faire tourner la soupape de commande momentanément jusqu'à la position rappel afin de relâcher la pression sur le port « A ». Puis, tourner la poignée jusqu'à la position neutre (« 3 »). Vérifier que la jauge indique zéro (0) psi.
11. Arrêter la pompe.

**L2613 Rev. H 08/18****Für Datumscodes, die mit dem Buchstaben "B" beginnen****FEHLERBEHEBUNG UND REPARATUR DER MANUELLEN VENTILE VM33, VM33M, VM33L, VM43, VM43M, VM43L**

Bei der Diagnose nicht funktionierender Ventile treten einige Symptome häufig nicht nur bei Ventilen, sondern auch bei Hydraulikgeräten allgemein auf. Montieren Sie vor der Reparatur des Ventils ein anderes VM-Ventil an die Pumpe, um zu verifizieren, dass das Problem nicht bei der Pumpe liegt.

**FEHLERBEHEBUNG:**

**ACHTUNG:** Während des Zusammenbaus sollten Standardsicherheitsverfahren befolgt werden, um Verletzungen zu vermeiden.

1. Wenn kein Druck erhalten werden kann, kann dies das Ergebnis beschädigter Anschlussdichtungen an der Pumpe oder ausgefallener Überdruckventilkomponenten (Punkt 6, 7, Abb. 7), einer beschädigten Kugel und des Sitzes im Gehäuse (Punkt 1, 2, Abb. 8) oder beschädigter oder abgenutzter Scherschluss und Scheibe (Punkt 16, 18, 84, Abb. 1D) sein. Diese Probleme sind normalerweise ein Symptom bei kontaminiertem Hydrauliköl. Das System sollte abgelassen und mit frischem ENERPAC-Hydrauliköl gefüllt werden.
2. Drucklecks, die konsistent sind, und sich bei steigendem Druckbereich proportional vergrößern, sind normalerweise das Ergebnis von leckenden Dichtungen oder Gewindeflächen wie NTPF-Verschraubungen oder Stopfen.
3. Kugelsitzlecks sind oft unregelmäßig und intermittierend und werden durch Verunreinigungen in den Dichtungskanten verursacht. Mit der Zeit müssen diese Sitze wegen Abnutzung ausgetauscht werden.
4. Auf den Außenflächen um die Welle (Punkt 13, Abb. 1D) beobachtete Lecks sind ein Zeichen dafür, dass der O-Ring (Punkt 15) und der Stützring (Punkt 14) ausgetauscht werden müssen.
5. Auf den Außenflächen um das Druckbegrenzungsventilgehäuse (Punkt 1, Abb. 7) beobachtete Lecks sind ein Zeichen dafür, dass der O-Ring (Punkt 8) ausgetauscht werden muss.
6. Entfernen Sie die 4 Innensechskantschrauben (Punkt 7) und entfernen Sie die obere Ventilbaugruppe (Punkt 44, Abb. 1A und 1B) vom Verteiler (Punkt 27) oder dem Sperrventilblock (Punkt 45 oder 46).
7. Entfernen Sie die 2 Innensechskantschrauben (Punkt 24, Abb. 1D) und trennen Sie das Gehäuse (Punkt 23) von der Ventilkappe (Punkt 9).
8. Entfernen Sie die Wellenbaugruppe und überprüfen Sie den O-Ring (Punkt 15) und den Stützring (Punkt 14) auf Schäden. Tauschen Sie sie nötigenfalls aus.
9. Entfernen Sie den O-Ring (Punkt 10) und überprüfen Sie ihn auf Schäden wie größere Schlitzlöcher oder Schnitte. Tauschen Sie sie nötigenfalls aus.
10. Entfernen Sie das Lager (Punkt 12) und die Lagerplatte (Punkt 11) und überprüfen Sie beides auf Schäden. Tauschen Sie sie nötigenfalls aus.
11. Entfernen Sie die Scherschlussbaugruppen (Punkte 18 – 20 oder 84 – 86) aus den Bohrungen des Gehäuses.
12. Entfernen Sie die O-Ringe (Punkt 20 oder 86) und die Stützringbeilagscheiben (Punkt 19 oder 85) und überprüfen Sie beides auf Schäden. Tauschen Sie sie nötigenfalls aus.
13. Entfernen Sie die Federn (Punkt 22) und überprüfen Sie sie auf Schäden wie Bruch oder bleibende Verformung. Tauschen Sie sie nötigenfalls aus.
14. Zerlegen Sie den Verteiler wie folgt:
15. Lösen Sie die Feststellmutter (Punkt 9, Abb. 7) und lösen Sie die Einstellschraube (Punkt 2).
16. Lösen Sie mit einem 7/8"-Steckschlüssel die Überdruckventilbaugruppe (Punkt 58, Abb. 4, 5, 6) und entfernen Sie sie vom Gehäuse.
17. Entfernen Sie den Sitz (Punkt 57) vom Gehäuse.
18. Überprüfen Sie den Sitz auf Schäden wie größere Schlitzlöcher oder Einkerbungen an der scharfen Kante des Innendurchmessers. Tauschen Sie ihn nötigenfalls aus.
19. Überprüfen Sie den O-Ring (Punkt 8, Abb. 7) auf Schäden und tauschen Sie ihn nötigenfalls aus.
20. Überprüfen Sie die Kugel (Punkt 7) und die Führung (Punkt 6). Tauschen Sie ihn nötigenfalls aus.
21. Entfernen Sie die Rohrstopfen (Punkt 53, 54, 55, Abb. 4, 5, 6 und 6A) und reinigen Sie das Gehäuse. Überprüfen Sie das Gehäuse auf Schäden.

**ZERLEGEN:**

1. Entfernen Sie die 4 Innensechskantschrauben (Punkt 76, Abb. 1C) und nehmen Sie das Ventil aus der Pumpe.
2. Entfernen Sie das Rückflussrohr (Punkt 75) und die Dichtung (Punkt 70).
3. Entfernen Sie die Schraube (Punkt 1, Abb. 1D) und die Beilagscheibe (Punkt 2) von der Welle (Punkt 13).
4. Alle Modelle außer VM33M und VM43M: Entfernen Sie den Griff (Punkt 3), die Scheiben (Punkt 4), die Kugel (Punkt 5) und die Feder (Punkt 6).
5. Nur Modelle VM33M und VM43M: Entfernen Sie die Griffkappe (Punkt 66), den Hebel (Punkt 67) und den Knopf (Punkt 68) als eine Baugruppe. Entfernen Sie die Kugel (Punkt 5) und die Feder (Punkt 6).

**ZUSAMMENSETZEN:****Verfahren für die Verteilerbaugruppe**

1. Bringen Sie Teflonband auf die Gewinde auf. Bauen Sie den neuen Rohrstopfen (Punkt 53, Abb. 4, 5, 6 und 6A) ein und ziehen Sie ihn mit 14 – 16 Nm [10-12 ft-lbs] fest. Bauen Sie den Rohrstopfen (Punkt 54, 55) ein und ziehen Sie ihn mit 43 - 52 Nm [32 – 39 ft-lbs] fest.
2. Bauen Sie die Kupferdichtung (Punkt 56) auf dem Sitz (Punkt 57) ein; die runden Kanten müssen dabei vom Sitz weg zeigen.

3. Legen Sie den Sitz auf die untere Senkung im Ventilgehäuse mit der Dichtungsseite nach unten. Hinweis: Achten Sie darauf, dass der Sitz fest sitzt und nicht verbogen ist.
4. Schmieren Sie den O-Ring an der Druckbegrenzungsventilbaugruppe und stecken Sie ihn in den Hohlraum im Ventilgehäuse.
5. Ziehen Sie die Druckbegrenzungsventilbaugruppe (Punkt 58) mit 43 - 53 Nm [32 - 39 ft-lbs] an.

#### **Verfahren für die obere manuelle Ventilbaugruppe**

1. Legen Sie die Platte (Punkt 11, Abb. 1D) und das Lager (Punkt 12) in die Kappe.
2. Legen Sie den O-Ring (Punkt 10) in die Kappennut.
3. Legen Sie den O-Ring (Punkt 15) und den Stützring (Punkt 14) auf die Welle (Punkt 13). Der O-Ring wird so nah wie möglich an das Gewindeende der Welle platziert.
4. Legen Sie den Spannstift (Punkt 17) in das Durchlassloch in der Scheibe (Punkt 16). Stecken Sie die Welle (Punkt 13) von der festen Seite der Scheibe aus in die Scheibe. Richten Sie das Durchlassloch in der Welle mit dem Durchlassloch in der Scheibe aus und drücken oder hämmern Sie den Spannstift, bis er mit dem Außendurchmesser der Scheibe eben ist.
5. Schmieren Sie den O-Ring und den Stützring an der Welle mit Schmierfett. Stecken Sie die Welle und die Scheibenbaugruppe in die Ventilkappe (Punkt 9).
6. Legen Sie Federn (Punkt 22) in jedes der 3 Löcher, mit Ausnahme des Loches an der Tankseite des Gehäuses (Punkt 23).
7. Alle Modelle außer VM33M und VM43M: Bauen Sie jeden Scherschluss (Punkt 18) mit 2 Stützringbeilagscheiben (Punkt 19) und einem O-Ring (Punkt 20) zusammen. Der O-Ring wird zwischen die Stützringbeilagscheiben gelegt.
8. Nur VM33M und VM43M: Bauen Sie jeden Scherschluss (Punkt 84) mit 1 Stützringbeilagscheibe (Punkt 85) und einem O-Ring (Punkt 86) zusammen. Der O-Ring wird unter die Stützringbeilagscheibe gelegt.
9. Schmieren Sie die O-Ringe und die Stützring-beilagscheiben. Stecken Sie die Scherschlussbaugruppe von Hand in das Gehäuse (Punkt 23).
10. Ziehen Sie das Gehäuse mit 2 Schrauben (Punkt 24) mit einem 5/32"-Sechskantschlüssel handfest auf der Kappe fest.
11. Legen Sie 4 O-Ringe (Punkt 25) auf das Gehäuse.
12. Montieren Sie die obere Ventilbaugruppe oder den Sperrventilblock mithilfe von 4 Innensechskantschrauben (Punkt 7, Abb. 1A und 1B). Ziehen Sie die Schrauben mit 38 - 46 Nm [28 - 34 ft-lbs] fest.
13. Stecken Sie die Feder (Punkt 6, Abb. 1D) in das Loch in der Ventilkappe (Punkt 9). Bauen Sie die Kugel (Punkt 5) in die Feder ein.
14. Alle Modelle außer VM33M und VM43M: Legen Sie die Scheibe (Punkt 4) mit der scharfen Kante nach oben auf die Welle, die sich auf der Kugel befindet. Positionieren Sie den Griff (Punkt 3) an der Welle.
15. Nur Modelle VM33M und VM43M: Legen Sie die Griffkappe (Punkt 66), den Hebel (Punkt 67) und den Knopf (Punkt 68) als eine Baugruppe auf die Welle.
16. Stecken Sie die Beilagscheibe (Punkt 2) in die Welle. Verwenden Sie Loctite 222 für die Gewinde der Schraube (Punkt 1) und ziehen Sie diese handfest an.

#### **Verfahren nur für Sperrventilblöcke**

1. Setzen Sie eine neue Kugel (Punkt 35, Abb. 2 und 3) auf den Sitz (Punkt 39) mit der Presse (14 bar [195] psi bei 10-Tonnen-Stempel oder 27 bar [380] psi bei 5-Tonnen-Stempel). Stellen Sie zwei Baugruppen für einen 4-Wege-Block oder nur eine für einen 3-Wege-Block her. Legen Sie diese Teile zur Seite.
2. Legen Sie einen O-Ring (Punkt 36) und eine Beilagscheibe (Punkt 39) auf jeden Sitz und schmieren Sie sie mit Schmierfett. Legen Sie diese Teile zur Seite.
3. Legen Sie die Dichtung (Punkt 32) und den O-Ring (Punkt 33) auf jeden Stopfen (Punkt 31). Legen Sie diese Teile zur Seite.
4. Schmieren Sie die Bohrung im Ventilblock (Punkt 43) mit Öl.
5. Nur bei 3-Wege-Blöcken: Legen Sie die nicht geprägte Sitzbaugruppe (Punkte 36, 37 und 39 - ohne Kugel) in ein Ende der Bohrung. Verwenden Sie das Spezialwerkzeug AT100479. Bauen Sie die Kugel (Punkt 35) oder Feder (Punkt 34) an diesem Ende nicht ein. Siehe Abb. 2.
6. Nur bei 4-Wege-Blöcken: Legen Sie die erste Sitzbaugruppe (Punkte 36, 37 und 39) in ein Ende der Bohrung mit der Kugel (Punkt 35) nach oben. Verwenden Sie das Spezialwerkzeug AT100479. Siehe Abb. 3.
7. Nur bei 4-Wege-Blöcken: Tauchen Sie eine Feder (Punkt 34, Abb. 4) in Schmierfett und legen Sie sie in den Stopfen (Punkt 31).
8. Drehen Sie die Stopfenbaugruppe (Punkte 31 - 33 und Punkt 34, falls verwendet) in die Bohrungsöffnungen am selben Ende, an dem der Sitz eingebaut wurde. Ziehen Sie mit 115 - 129 Nm [85 - 95 ft-lbs] fest.
9. Drehen Sie den Ventilblock (Punkt 43, Abb. 2 und 3) um, so dass die andere Seite der Bohrung nach oben zeigt. Schmieren Sie die Bohrung mit Öl.
10. Bauen Sie den Kolben (Punkt 42) mit O-Ring (Punkt 41) und 2 Stützringbeilagscheiben (Punkt 40) zusammen. Legen Sie die Kolbenbaugruppe (Punkte 40 - 42) in die Bohrung. Verwenden Sie das Spezialwerkzeug AT100479-1.
11. Legen Sie die zweite Sitzbaugruppe (Punkte 36, 37 und 39) in die Bohrung mit der Kugel (Punkt 35) nach oben. Verwenden Sie das Spezialwerkzeug AT100479.
12. Tauchen Sie die Feder (Punkt 34) in Schmierfett und legen Sie sie in den Stopfen (Punkt 31).
13. Drehen Sie die Stopfenbaugruppe (Punkte 31 - 33) mit Feder (Punkt 34) in die Bohrungsöffnung. Ziehen Sie mit 115 - 129 Nm [85 - 95 ft-lbs] fest.
14. Legen Sie die O-Ringe (Punkt 26, Abb. 1B) auf den Verteiler (Punkt 27).

#### **Einstellung des Druckbegrenzungsventils**

Die Ventilbaugruppe ist mit einem einstellbaren Druckbegrenzungsventil ausgestattet. Stellen Sie den Druck wie folgt ein:

#### **Nur VM33, VM33M, VM43 und VM43M**

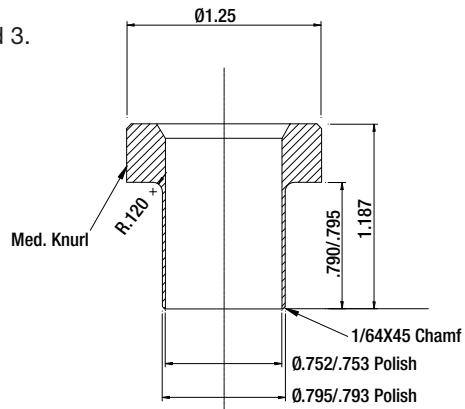
1. Bauen Sie ein 0 - 1.035 bar [0 - 15.000 psi] Manometer an Anschluss „A“ (siehe Abb. 10) ein.
2. Nur VM43 und VM43M: Platzieren Sie einen 3/8" Rohrstopfen in den Anschluss „B“ und ziehen Sie ihn mit 33 Nm [25 ft-lbs.] an.
3. Lösen Sie die Feststellmutter des Druckbegrenzungsventils,



## Spezialwerkzeuge

### AT100479

Für den Einbau der Sitze, Punkt 39, in die Bohrung verwenden. (siehe Abb. 2 und 3).



### AT100479-1

Für den Einbau der Kolbenbaugruppe, Punkt 40 – 42, in die Bohrung. (siehe Abb. 2 und 3)

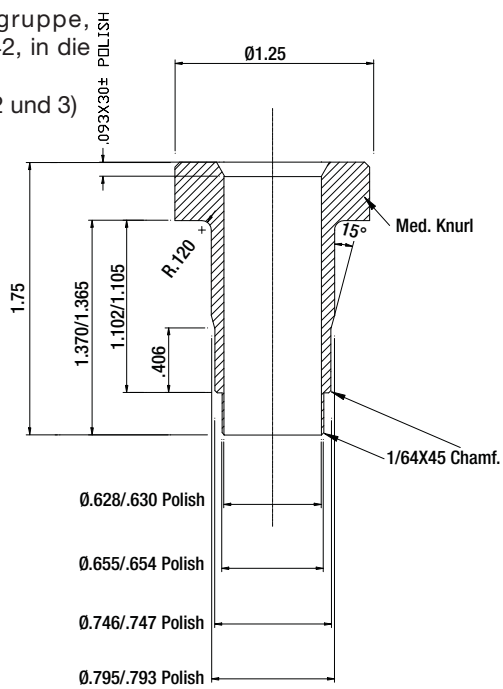


Abb. 9, Spezialwerkzeuge

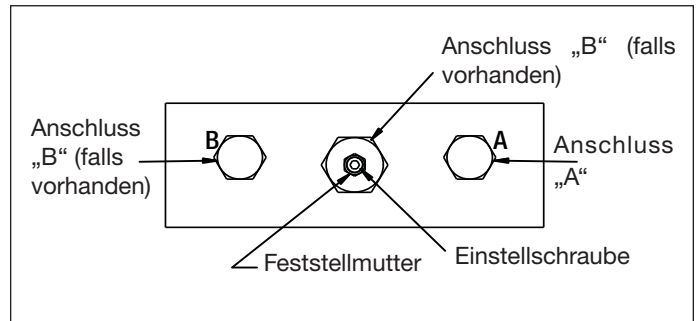


Abb. 10

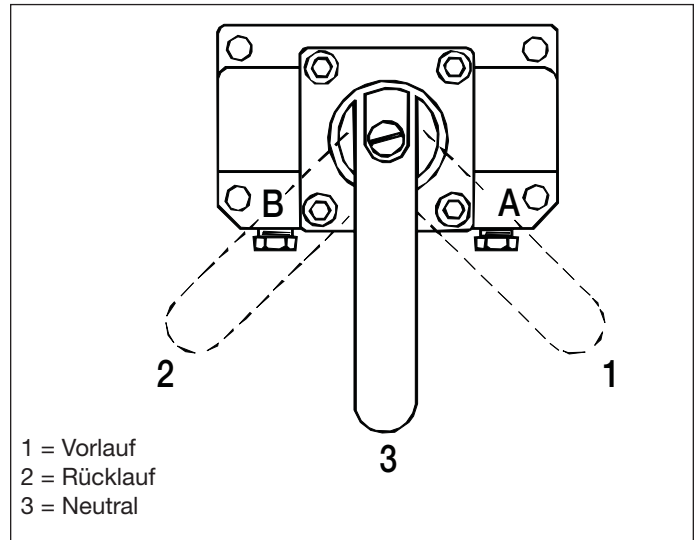


Abb. 11, Ventilgriffpositionen, VM33, VM33L, VM43, VM43L

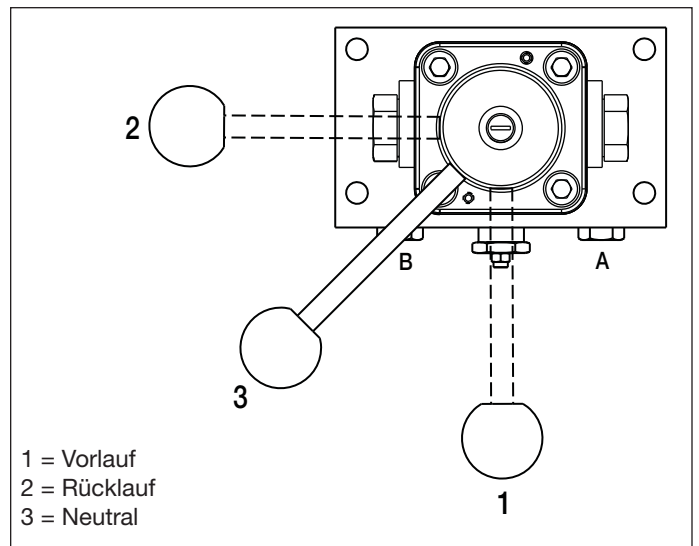


Abb. 12, Ventilgriffpositionen, VM33M, VM43M

- damit Sie die Einstellschraube einstellen können.
4. Drehen Sie den Griff des Steuerventils in die neutrale Position („3“). Ventilpositionen siehe Abb. 11 für VM33 und VM43. Ventilpositionen siehe Abb. 12 für VM33M und VM43M.
  5. Starten Sie die Pumpe, damit sich das Öl erwärmen kann.
  6. Drehen Sie den Griff des Steuerventils in die Vorlaufposition („1“). Warten Sie, bis sich der Druck aufgebaut hat.
  7. So erhöhen Sie den Druck: Drehen Sie die Einstellschraube des Druckbegrenzungsventils LANGSAM im Uhrzeigersinn, bis der Druck sich auf die gewünschte Einstellung erhöht hat.  
 HINWEIS: Ein internes Rückschlagventil im Verteiler verhindert, dass der Druck fällt, wenn die Einstellschraube entgegen dem Uhrzeigersinn gedreht wird. Um die Druckeinstellung zu verringern, befolgen Sie das Verfahren in Schritt 8a bis 8e.
  8. So verringern Sie den Druck:
    - a. Stellen Sie sicher, dass die Pumpe läuft.
    - b. Drehen Sie den Griff des Steuerventils in die neutrale Position („3“), um den Druck am Anschluss „A“ zu verringern.
    - c. Drehen Sie die Einstellschraube des Druckbegrenzungsventil um eine Drehung entgegen dem Uhrzeigersinn.
    - d. Drehen Sie den Griff des Steuerventils in die Vorlaufposition („1“).
    - e. Drehen Sie die Einstellschraube des Druckbegrenzungsventils LANGSAM im Uhrzeigersinn, bis sich der Druck auf die gewünschte Einstellung erhöht hat.
  9. Wenn die gewünschte Druckeinstellung erreicht ist, fixieren Sie die Einstellschraube mit der Feststellmutter. Ziehen Sie NICHT zu fest.
  10. Drehen Sie vor Abschalten der Pumpe den Griff des Steuerventils vorübergehend in die Rücklaufposition („2“), um den Druck am Anschluss „A“ zu verringern. Drehen Sie dann den Griff des Steuerventils in die neutrale Position („3“). Überprüfen Sie, ob das Manometer Null (0) psi anzeigt.
  11. Stoppen Sie die Pumpe.
- a. Stellen Sie sicher, dass die Pumpe läuft.
  - b. Drehen Sie den Griff des Steuerventils vorübergehend in die Rücklaufposition („2“). Drehen Sie dann den Griff des Steuerventils in die neutrale Position („3“). Dies aktiviert das pilotgesteuerte Rückschlagventil und verringert den Druck an Anschluss „A“.
  - c. Drehen Sie die Einstellschraube des Druckbegrenzungsventil um eine Drehung entgegen dem Uhrzeigersinn.
  - d. Drehen Sie den Griff des Steuerventils in die Vorlaufposition („1“).
  - e. Drehen Sie die Einstellschraube des Druckbegrenzungsventils LANGSAM im Uhrzeigersinn, bis der Druck an Anschluss „A“ sich auf die gewünschte Einstellung erhöht hat.
9. Wenn die gewünschte Druckeinstellung erreicht ist, fixieren Sie die Einstellschraube mit der Feststellmutter. Ziehen Sie NICHT zu sehr fest.
  10. Drehen Sie vor Abschalten der Pumpe den Griff des Steuerventils vorübergehend in die Rücklaufposition („2“), um den Druck am Anschluss „A“ zu verringern. Drehen Sie dann den Griff des Steuerventils in die neutrale Position („3“). Überprüfen Sie, ob das Manometer Null (0) psi anzeigt.
  11. Stoppen Sie die Pumpe.

#### **Nur VM33L und VM43L**

1. Bauen Sie ein 0 – 1.035 bar [0 – 15.000 psi] Manometer an Anschluss „A“ (siehe Abb. 10) ein.
2. Nur VM43L: Bauen Sie einen 3/8“ Rohrstopfen in den Anschluss „B“ ein und ziehen Sie ihn mit 33 Nm [25 ft-lbs.] an.
3. Lösen Sie die Feststellmutter des Druckbegrenzungsventils, damit Sie die Einstellschraube einstellen können.
4. Drehen Sie den Griff des Steuerventils in die neutrale Position („3“). Ventilpositionen siehe Abb. 11.
5. Starten Sie die Pumpe, damit sich das Öl erwärmen kann.
6. Drehen Sie den Griff des Steuerventils in die Vorlaufposition („1“). Warten Sie, bis sich der Druck aufgebaut hat.
7. So erhöhen Sie den Druck: Drehen Sie bei laufender Pumpe die Einstellschraube des Druckbegrenzungsventils LANGSAM im Uhrzeigersinn, bis der Druck an Anschluss „A“ sich auf die gewünschte Einstellung erhöht hat.  
 HINWEIS: Ein pilotgesteuertes Rückschlagventil im Sperrventilblock verhindert, dass der Druck fällt, wenn die Einstellschraube entgegen dem Uhrzeigersinn gedreht wird. Um die Druckeinstellung zu verringern, befolgen Sie das Verfahren in Schritt 8a bis 8e.
8. So verringern Sie den Druck:

L2613 Rev. H 08/18

**ELIMINAZIONE DIFETTI E RIPARAZIONE DELLE VALVOLE MANUALI  
VM33, VM33M, VM33L, VM43, VM43M, VM43L**

Nel diagnosticare il cattivo funzionamento delle valvole, certi sintomi possono essere comuni non solo alle valvole, ma spesso a tutto l'equipaggiamento idraulico in generale. Prima di riparare la valvola, montare una valvola VM differente e verificare che il problema non sia nella pompa.

**ELIMINAZIONE DEI DIFETTI**

**ATTENZIONE:** Le procedure standard di sicurezza debbono essere seguite per minimizzare qualsiasi possibilità di ferimento.

1. L'incapacità di ottenere una pressione qualsiasi può essere il risultato di guarnizioni di tenuta danneggiate nei connettori della pompa, oppure essere dovuta a componenti difettosi della valvola di scarico (voci 6, 7, figura 7), ad una sfera e una sede danneggiate nel corpo (voci 1, 2, figura 8) oppure a guarnizioni di tenuta soggette al taglio e relativo disco danneggiate o consumate (voci 16, 18, 84, figura 1D). Questi problemi sono un sintomo di olio idraulico contaminato. Il sistema dovrebbe essere scaricato totalmente e riempito con olio nuovo idraulico ENERPAC.
2. Le perdite di pressione che sono consistenti ed aumentano in proporzione con l'aumento della pressione sono solitamente il risultato di guarnizioni che perdono oppure di superfici filettate come i raccordi o i tappi NTPF.
3. La perdita della sede della valvola é spesso saltuaria ed intermittente ed é causata da sostanze contaminanti intrappolate sul bordo di tenuta. Col tempo, poiché si verifica l'usura, queste sedi dovranno essere sostituite.
4. Le perdite osservate sulle superfici esterne attorno all'albero (voce 13, figura 1D) sono un'indicazione che l'O-ring (voce 15) e l'anello di supporto (voce 14) debbono essere sostituiti.
5. Le perdite osservate sulle superfici esterne attorno al corpo della valvola di scarico (voce 1, figura 7) sono un'indicazione che l'O-ring (voce 8) deve essere sostituito.
6. Smontare le 4 viti TCEI (testa cilindrica esagono incassato) (voce 7) e smontare l'assieme superiore della valvola e smontare l'assieme superiore della valvola (voce 44, figure 1A e 1B) dal collettore (voce 27) oppure dal blocco di bloccaggio valvola (voce 45 oppure 46).
7. Smontare le 2 viti TCEI (testa cilindrica esagono incassato) (voce 24, figura 1D) e separare il corpo (voce 23) dal cappuccio valvola (voce 9).
8. Smontare l'assieme dell'albero ed ispezionare l'O-ring (voce 15) e l'anello di supporto (voce 14) per eventuali danni. Sostituire se necessario.
9. Smontare l'O-ring (voce 10) ed ispezionare per danni come intaccature o tagli. Sostituire se necessario.
10. Smontare il cuscinetto (voce 12) e la piastra del cuscinetto (voce 11) ed ispezionare per eventuali danni. Sostituire se necessario.
11. Smontare gli assiemi delle guarnizione di taglio (voci 18-20 oppure 84-86) dalle alesature nel corpo.
12. Smontare gli O-ring (voci 20 oppure 86) e le rondelle di supporto (voci 19 oppure 85) ed ispezionare per eventuali danni. Sostituire se necessario.
13. Smontare le molle (voce 22) ed ispezionare per danni come una rottura o una deformazione permanente. Sostituire se necessario.
14. Lo smontaggio del collettore deve avvenire come segue:
15. Allentare il dado di bloccaggio (voce 9, figura 7) e svitare la vite di regolazione (voce 2).
16. Usando una chiave da 7/8", allentare e smontare l'assieme della valvola di scarico (voce 58, figure 4, 5, 6 e 6A) dal corpo.
17. Smontare la sede (voce 57) dal corpo.
18. Ispezionare la sede per danni come intaccature o intaglio sullo spigolo vivo del diametro interno. Sostituire se necessario.
19. Ispezionare l'O-ring (voce 8, figura 7) per eventuali danni e sostituire se necessario.
20. Ispezionare la sfera (voce 7) e la guida (voce 6). Sostituire se necessario.
21. Smontare i tappi dei tubi (voce 53, 54, 55, figure 4, 5, 6 e 6A) e pulire il corpo. Ispezionare il corpo per eventuali danni.

**SMONTAGGIO:**

1. Smontare le 4 viti TCEI (testa cilindrica esagono incassato) (voce 76, figura 1C) e smontare la valvola dalla pompa.
2. Smontare il tubo di ritorno (voce 75) e la guarnizione (voce 70).
3. Smontare la vite (voce 1, figura 1D) e la rondella (voce 2) dall'albero (voce 13).
4. Tutti i modelli ad eccezione di VM33M e 43M: Smontare la manopola (voce 3), il disco (voce 4), la sfera (voce 5) e la molla (voce 6).
5. I modelli VM33M e VM43M soltanto: Smontare il cappuccio della manopola (voce 66), la leva (voce 67) e la manopola (voce 68) come un assieme unico. Smontare la sfera (voce 5) e la molla (voce 6).

**RIMONTAGGIO****Procedura per l'assieme manicotto**

1. Applicare del nastro di Teflon ai filetti. Installare un nuovo tappo per il tubo (voce 53, figure 4, 5, 6 e 6A) e stringere con una coppia di 14-16 Nm. Installare il tappo del tubo (voce 54, 55) e stringere con un momento torcente di 43-52 Nm.

2. Installare una guarnizione di rame (voce 56) sulla sede (voce 57), con i bordi arrotondati che guardano dall'altra parte rispetto alla sede.
3. Posizionare la sede sopra la contro-alesatura di fondo, con il lato della guarnizione verso il basso. Nota: accertarsi che la sede sia fermamente inserita e non piegata.
4. Ingrassare l'O-ring sulla valvola di scarico ed inserirlo nella cavità nel corpo della valvola.
5. Stringere l'assieme della valvola di scarico (voce 58) con una coppia di 43-53 Nm.

#### **Procedura per l'assieme superiore della valvola**

1. Posizionare la piastra (voce 11, figura 1D) ed il cuscinetto (voce 12) dentro al cappuccio.
2. Posizionare l'O-ring (voce 10) dentro alla scanalatura del cappuccio.
3. Posizionare l'O-ring (voce 15) e l'anello di supporto (voce 14) sull'albero (voce 13). L'O-ring è posizionato il più vicino possibile all'estremità filettata dell'albero.
4. Posizionare il perno del rullo (voce 17) dentro al foro passante nel disco (voce 16). Inserire l'albero (voce 13) dentro al disco dalla parte piena del disco. Allineare il foro passante dell'albero con il foro passante nel disco e premere o martellare il perno del rullo fino a che sia a filo con il diametro esterno del disco stesso.
5. Lubrificare l'O-ring e l'anello di supporto sull'albero con del grasso. Inserire l'assieme dell'albero e del disco dentro al cappuccio della valvola (voce 9).
6. Posizionare le molle (voce 22) in ognuno dei 3 fori ad eccezione del foro sul lato del serbatoio del corpo (voce 23).
7. Tutti i modelli ad eccezione di VM33M e VM43M: Montare ogni guarnizione di tenuta soggetta al taglio (voce 18) con 2 rondelle di supporto (voce 19) ed 1 O-ring (voce 20). L'O-ring è posizionato tra gli anelli di supporto.
8. I modelli VM33M e VM43M soltanto: Montare ogni guarnizione soggetta al taglio (voce 84) con 1 rondella di supporto (voce 85) ed 1 O-ring (voce 86). L'O-ring è posizionato sotto alla rondella di supporto.
9. Lubrificare gli O-ring e le rondelle di supporto. Inserire gli assieme delle guarnizioni di tenuta soggette al taglio dentro al corpo (voce 23) a mano.
10. Stringere il corpo sopra al cappuccio con 2 viti (voce 24) con una chiave esagonale da 5/32", stringendo come se fosse a mano.
11. Posizionare 4 O-ring (voce 25) sul corpo.
12. Montare l'assieme superiore della valvola sul collettore oppure sul blocco di bloccaggio della valvola usando 4 viti TCEI (voce 7, figura 1A e 1B). Coppia di 38-46 Nm.
13. Inserire la molla (voce 6, figure 1D) dentro al foro nel cappuccio della valvola (voce 9). Installare una sfera (voce 5) sulla molla.
14. Tutti i modelli ad eccezione di VM33M e VM43M: Posizionare il disco (voce 4) con il lato con gli spigoli vivi che guarda verso l'alto sopra all'albero e appoggiato sulla sfera (voce 3).
15. I Modelli VM33M e VM43M soltanto: Posizionare il cappuccio della manopola (voce 66), la leva (voce 67) e la manopola (voce 68) sull'albero come un assieme.
16. Inserire la rondella (voce 2) sull'albero. Applicare Loctite 222 ai filetti della vite (voce 1) e stringere a mano.

#### **Procedura soltanto per i blocchi della valvola di bloccaggio.**

1. Adattare una nuova sfera (voce 35, figure 2 e 3) sulla sede (voce 39) con una pressa (14 bar con una mazza da 10-ton oppure 27 bar con una mazza da 5-ton). Fare due assieme per un blocco da 4 valvole oppure solo uno per un blocco a 3 vie. Mettere queste parti da parte.
2. Posizionare l'O-ring (voce 36) e la rondella (voce 37) sopra ogni sede (voce 39) e lubrificare con grasso. Mettere queste parti da parte.
3. Posizionare la guarnizione (voce 32) e l'O-ring (voce 33) sopra ogni tappo (voce 31). Mettere queste parti da parte.
4. Lubrificare l'alesatura nel corpo del blocco della valvola (voce 43) con olio.
5. Soltanto sul blocco a 3-vie: Posizionare l'assieme della sede non coniato (voci 36, 37 e 39 - senza sfera) dentro ad un'estremità del foro. Usare l'attrezzo speciale AT100479. Non installare la sfera (voce 35) oppure la molla (voce 34) su quest'estremità. Fare riferimento alla figura 2.
6. Solo su un blocco a 4-vie: Posizionare l'assieme della prima sede (voci 36, 37 e 39) dentro alle rispettive estremità dell'alesatura con una sfera (voce 35) che guarda verso l'alto. Usare l'attrezzo speciale AT100479. Fare riferimento alla figura 3.
7. Solo sul blocco a 4-vie: Immergere una molla nel grasso (voce 34, figura 4) e posizionarla dentro al tappo (voce 31).
8. Avvitare l'assieme del tappo (voci 31-33 e voce 34, se usata) dentro all'apertura dell'alesatura dalla stessa estremità dove è stata installata la sede. Coppia di 115-129 Nm.
9. Girare sotto sopra il blocco valvola (voce 43, figure 2 e 3) così che l'estremità opposta dell'alesatura guardi verso l'alto. Lubrificare l'alesatura con olio.
10. Assiemare il pistone (voce 42) con l'O-ring (voce 41) e 2 rondelle di supporto (voce 40). Posizionare l'assieme del pistone (voci 40-42) dentro all'alesatura. Usare l'attrezzo speciale AT100479-1.
11. Posizionare l'assieme della seconda sede (voci 36, 37 e 39) dentro all'alesatura con la sfera (voce 35) che guarda verso l'alto. Usare l'attrezzo speciale AT100479.
12. Immergere la molla (voce 34) nel grasso e posizionarla dentro al tappo (voce 31).
13. Avvitare l'assieme del tappo (voci 31-33) con la molla (voce 34) dentro all'apertura dell'alesatura Coppia di 115-129 Nm.
14. Posizionare gli O-rings (voce 26, figura 1B) sopra al collettore (voce 27).

#### **Regolazione della valvola di scarico**

L'assieme della valvola è equipaggiato con una valvola di scarico regolabile da parte dell'utente. Regolare la pressione come segue:

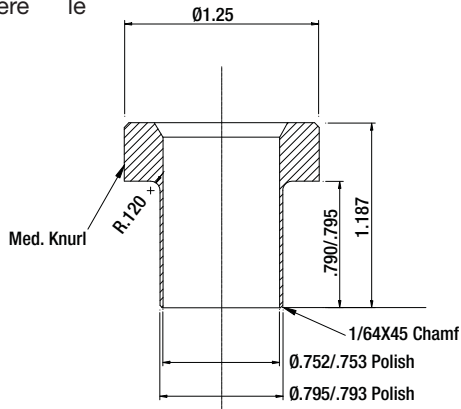
#### **VM33, VM33M, VM43 e VM43M soltanto**

1. Installare un manometro da 0-1,035 bar nel raccordo "A" (vedere la Figura 10).
2. VM43 e VM43M soltanto: Posizionare un tappo per tubo da 3/8" nel raccordo "B" stringere con una coppia di 33 Nm.
3. Allentare il dado di bloccaggio della valvola di scarico in modo da permettere la regolazione della vite.

**Attrezzi speciali**

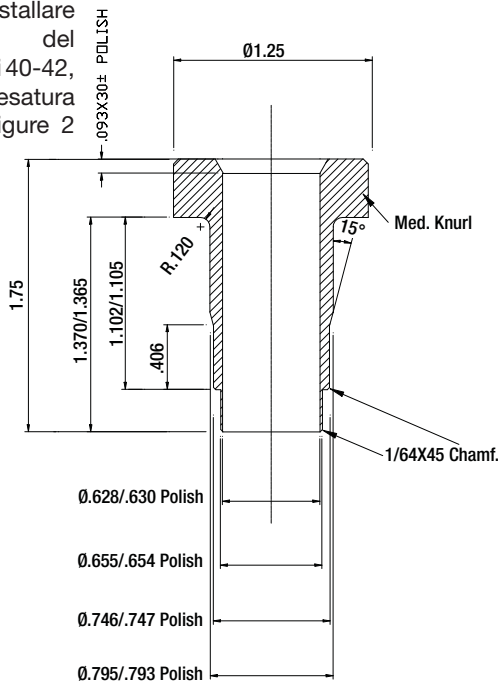
**AT100479**

Usarli per installare le sedi, voce 39, dentro all'alesatura. (vedere le figure 2 e 3)

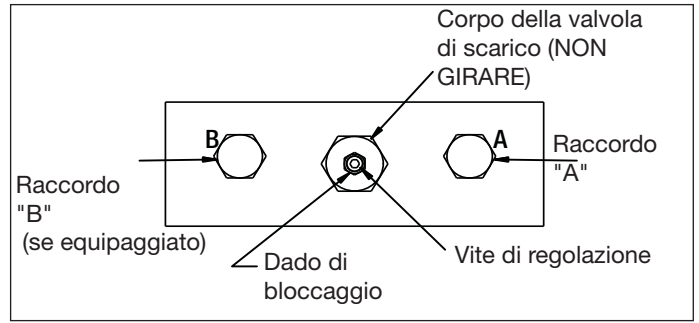


**AT100479-1**

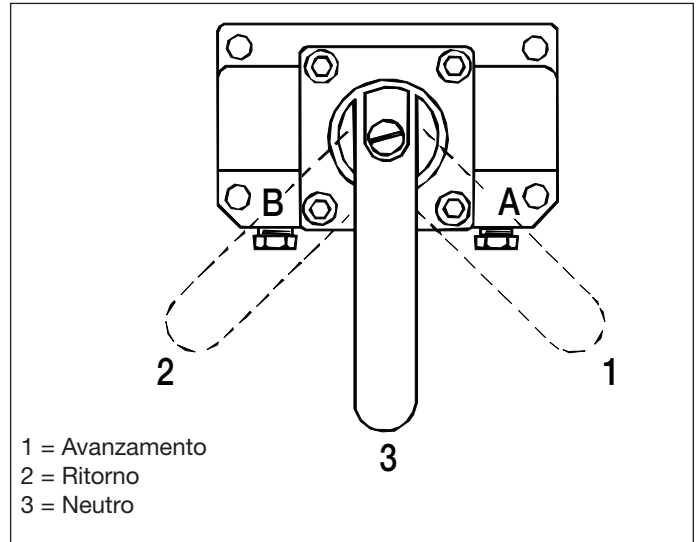
Usare per installare l'assieme del pistone, voci 40-42, dentro all'alesatura (vedere le figure 2 e 3)



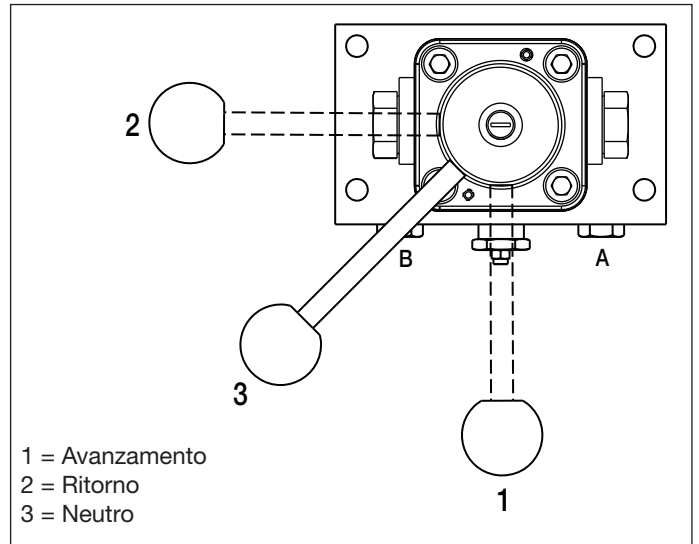
**Figura 9, attrezzi speciali**



**Figura 10**



**Figura 11, Posizioni della manopola della valvola VM33, VM33L, VM43, VM43L**



**Figura 12, Posizioni della manopola della valvola, VM33M, VM43M**

4. Ruotare la manopola della valvola di comando sulla posizione neutra ("3"). Vedere la Figura 11 per le posizioni delle valvole VM33 e VM43. Vedere la Figura 12 per le posizioni delle valvole VM33M e VM43M.
5. Avviare la pompa e permettere all'olio di scaldarsi.
6. Ruotare la manopola della valvola di comando sulla posizione ("1") d'avanzamento. Permettere alla pressione di crearsi.
7. Per aumentare la pressione: girare LENTAMENTE la vite di regolazione della valvola di scarico in senso orario fino a che la pressione non aumenti fino al valore desiderato.  
 NOTA: Una valvola di ritegno interna nel collettore impedirà alla pressione di scendere quando la vite di regolazione fosse girata in senso anti-orario. Per abbassare la regolazione della pressione, seguire la procedura dei passi da 8a fino ad 8e.
8. Per diminuire la pressione:
  - a. Accertarsi che la pompa sia in funzione.
  - b. Ruotare la manopola della valvola di comando sulla posizione neutra ("3") per scaricare la pressione sul raccordo "A".
  - c. Girare la vite di regolazione della valvola di scarico di un giro in senso anti-orario.
  - d. Ruotare la manopola della valvola di comando nella posizione di avanzamento ("1").
  - e. Girare LENTAMENTE la vite di regolazione della valvola di scarico in senso orario fino a che la pressione aumenti fino al valore desiderato.
9. Quando si è raggiunto il valore desiderato per la pressione, bloccare la vite di regolazione con il dado di bloccaggio. NON stringere esageratamente.
10. Prima di spegnere la pompa, ruotare la manopola della valvola di comando momentaneamente nella posizione di ritorno ("2") per scaricare la pressione al raccordo "A". Quindi ruotare la manopola nella posizione neutra ("3"). Controllare che il manometro indichi zero (0) bar.
11. Arrestare la pompa.

#### **VM33L e VM43L soltanto**

1. Installare un manometro da 0-1,035 bar nel raccordo "A" (vedere la Figura 10).
2. VM43L soltanto: Installare tappo per tubo da 3/8" nel raccordo "B" e stringere con un momento torcente di 33 Nm.
3. Allentare il dado di bloccaggio della valvola di scarico per permettere la regolazione della vite.
4. Ruotare la manopola della valvola di comando sulla posizione neutra ("3"). Vedere la Figura 11 per le posizioni della valvola.
5. Avviare la pompa e permettere all'olio di scaldarsi..
6. Ruotare la manopola della valvola di comando nella posizione di avanzamento ("1"). Permettere alla pressione di formarsi.
7. Per aumentare la pressione: Con la pompa in funzione, girare LENTAMENTE la vite di regolazione della valvola di scarico fino a che la pressione al raccordo "A" non aumenti fino al valore desiderato.  
 NOTA: Una valvola di ritegno con azionamento pilota dentro al blocco della valvola di bloccaggio impedirà alla pressione di cadere quando la vite di regolazione fosse girata in senso anti-orario. Per abbassare la regolazione della pressione, seguire la procedura:, seguendo i passi da 8a fino ad 8e.
8. Per diminuire la pressione:

L2613 Rev. H 08/18

**SOLUCIÓN DE PROBLEMAS Y REPARACIÓN DE VÁLVULAS MANUALES VM33, VM33M, VM33L, VM43, VM43M, VM43L**

Para el diagnóstico de válvulas con mal funcionamiento, hay ciertos síntomas típicos, no sólo de las válvulas sino, a menudo, de los equipos hidráulicos en general. Antes de reparar la válvula, montar otra válvula VM en la bomba para comprobar que el problema no está en la bomba.

**SOLUCIÓN DE PROBLEMAS:**

**PRECAUCIONES:** Deberán seguirse los procedimientos estándar de seguridad durante el montaje para reducir al mínimo cualquier posibilidad de lesiones.

1. La imposibilidad de elevar la presión puede deberse a daños en las juntas del conector de la bomba, piezas defectuosas de la válvula de descarga (elementos 6, 7, figura 7), bola y asiento del cuerpo dañados (elementos 1, 2, figura 8) o juntas y disco rotativo deslizantes (Shear) dañados o gastados (elementos 16, 18, 84 figura 1D). Estos problemas son normalmente un síntoma de contaminación del aceite hidráulico. Deberá vaciarse el sistema y rellenarse con aceite hidráulico ENERPAC nuevo.
2. Las fugas de presión constantes y que aumentan en proporción a la presión se deben generalmente a juntas o roscas como conectores o taponos NTPF que no cierran bien.
3. Las fugas por el asiento de la bola son a menudo irregulares e intermitentes y se deben a contaminantes atrapados en la superficie de cierre. Con el paso del tiempo y el consiguiente desgaste, estos asientos tendrán que reemplazarse.
4. Las fugas presentes en las superficies externas alrededor del eje (elemento 13, figura 1D) indican que es necesario sustituir la junta tórica (elemento 15) y el anillo de respaldo (elemento 14).
5. Las fugas presentes en las superficies externas alrededor del cuerpo de la válvula de descarga (elemento 1, figura 7) indican que es necesario sustituir la junta tórica (elemento 8).
6. Quitar los 4 tornillos Allen (elemento 7) y retirar el conjunto superior de la válvula (elemento 44, figuras 1A y 1B) del colector múltiple (elemento 27) o bloque de aislamiento (elemento 45 ó 46).
7. Retirar los 2 tornillos de cabeza Allen (elemento 24, figura 1D) y separar el cuerpo (elemento 23) de la tapa de la válvula (elemento 9).
8. Retirar el eje y observar si la junta tórica (elemento 15) y el anillo de respaldo (elemento 14) presentan algún daño. Reemplazar si es preciso.
9. Retirar la junta tórica (elemento 10) y observar si presenta daños como muescas o cortes. Reemplazar si es preciso.
10. Retirar el cojinete (elemento 12) y la placa del cojinete (elemento 11) e inspeccionar si presentan daños. Reemplazar si es preciso.
11. Retirar las juntas rotativas deslizantes (elementos 18-20 u 84-86) de los orificios del cuerpo.
12. Retirar las juntas tóricas (elemento 20 u 86) y las arandelas de respaldo (elemento 19 u 85) e inspeccionar si presentan daños. Reemplazar si es preciso.
13. Retirar los resortes (elemento 22) e inspeccionar si presentan daños como roturas o deformaciones permanentes. Reemplazar si es preciso.
14. El desmontaje del colector múltiple se describe a continuación:
15. Aflojar la tuerca de fijación (elemento 9, figura 7) y desenroscar el tornillo de ajuste (elemento 2).
16. Con una llave de vaso de 7/8" aflojar y retirar la válvula de descarga (elemento 58, figuras 4, 5, 6 y 6A) del cuerpo.
17. Retirar el asiento (elemento 57) del cuerpo.
18. Observar si el asiento presenta daños como muescas o indentaciones en el borde agudo del diámetro interior. Reemplazar si es preciso.
19. Observar si la junta tórica (elemento 8, figura 7) presenta algún daño y sustituirla si es preciso.
20. Inspeccionar la bola (elemento 7) y la guía (elemento 6). Reemplazar si es preciso.
21. Retirar los taponos rosca tubo (elementos 53, 54, 55; figuras 4, 5, 6 y 6A) y limpiar el cuerpo. Inspeccionar si el cuerpo presenta algún daño.

**DESMONTAJE:**

1. Quitar los 4 tornillos Allen (elemento 76, figura 1C) y retirar la válvula de la bomba.
2. Retirar el tubo de retorno (elemento 75) y la junta (elemento 70).
3. Retirar el tornillo (elemento 1, figura 1D) y la arandela (elemento 2) del eje (elemento 13).
4. Todos los modelos excepto el VM33M y e I43M: Retirar la maneta (elemento 3), el disco (elemento 4), la bola (elemento 5) y el resorte (elemento 6).
5. Modelos VM33M y VM43M solamente: Retirar la tapa de la maneta (elemento 66), la palanca (elemento 67) y el botón (elemento 68) como si fueran una sola unidad. Retirar la bola (elemento 5) y el resorte (elemento 6).

**MONTAJE:****Procedimiento para el montaje del colector múltiple**

1. Aplicar cinta de teflón a las roscas. Instalar un tapón nuevo (elemento 53, figuras 4, 5, 6 y 6A) y apretarlo a 14-16 Nm (10-12 lb-pies). Instalar el tapón rosca tubo (elemento 54, 55) y apretarlo a 43-52 Nm (32-39 lb-pies)
2. Instalar la junta de cobre (elemento 56) sobre el asiento (elemento 57), con los bordes redondeados hacia fuera.

- Colocar el asiento en el ensanchamiento del fondo del orificio, en el cuerpo de la válvula, con la cara que tiene la junta hacia abajo. Nota: Asegurarse de que el asiento se apoya firmemente y no está colocado en posición oblicua.
- Engrasar la junta tórica de la válvula de descarga e insertarla en su alojamiento en el cuerpo de la válvula.
- Apretar la válvula de descarga (elemento 58) a 43-53 Nm (32-39 lb-pies).

#### Procedimiento para el conjunto de válvula manual superior

- Colocar la placa (elemento 11, figura 1D) y el cojinete (elemento 12) en la tapa.
- Colocar la junta tórica (elemento 10) en la ranura de la tapa.
- Colocar la junta tórica (elemento 15) y la arandela de respaldo (elemento 14) en el eje (elemento 13). La junta tórica es la que va más próxima al extremo roscado del eje.
- Colocar el pasador de rodillo (elemento 17) en el orificio pasante del disco (elemento 16). Insertar el eje (elemento 13) en el disco por su parte maciza. Alinear el orificio pasante del eje con el del disco y presionar o golpear el pasador de rodillo con un martillo hasta dejarlo al ras con el diámetro exterior del disco.
- Lubricar la junta tórica y la arandela de respaldo del eje con grasa. Insertar el eje y el disco en la tapa de la válvula (elemento 9).
- Colocar los resortes (elemento 22) en cada uno de los 3 orificios, exceptuando el orificio del cuerpo que está al lado del tanque (elemento 23).
- Todos los modelos excepto el VM33M y el VM43M: Montar cada junta rotativa deslizante (elemento 18) con 2 arandelas de respaldo (elemento 19) y una junta tórica (elemento 20). La junta tórica va colocada entre las arandelas de respaldo.
- Modelos VM33M y VM43M solamente: Montar cada junta rotativa deslizante (elemento 84) con 1 arandela de respaldo (elemento 85) y una junta tórica (elemento 86). La junta tórica va colocada debajo de la arandela de respaldo.
- Lubricar las juntas tóricas y las arandelas de respaldo. Insertar manualmente las juntas rotativas deslizantes en el cuerpo (elemento 23).
- Apretar el cuerpo contra la tapa manualmente, usando 2 tornillos (elemento 24) y una llave hexagonal de 5/32 de pulg.
- Colocar 4 juntas tóricas (elemento 25) en el cuerpo.
- Montar el conjunto superior de la válvula en el colector múltiple o bloque de aislamiento usando 4 tornillos de cabeza Allen (elemento 7, figuras 1A y 1B). Apretar a 38-46 Nm (28-34 lb-pies).
- Insertar el resorte (elemento 6, figura 1D) en el orificio de la tapa de la válvula (elemento 9). Instalar la bola (elemento 5) en el resorte.
- Todos los modelos excepto el VM33M y el VM43M: Colocar el disco (elemento 4) en el eje, apoyado sobre la bola y con la cara de borde agudo hacia arriba. Colocar la maneta (elemento 3) sobre el eje.
- Modelos VM33M y VM43M solamente: Colocar la tapa de la maneta (elemento 66), la palanca (elemento 67) y el botón (elemento 68) en el eje como si fueran una sola unidad.
- Insertar la arandela (elemento 2) en el eje. Aplicar Loctite 222 a la rosca del tornillo (elemento 1) y apretar manualmente.

#### Procedimiento para bloques de aislamiento solamente

- Asentar una bola nueva (elemento 35, figuras 2 y 3) sobre el asiento (elemento 39) la presión debe ser (13,50 bar [195 psi] con cilindro de 10 toneladas de fuerza, o bien 26,20 bar [380 psi] si se usa uno de 5 toneladas). Hacer dos conjuntos para el bloque de 4 vías o sólo uno para el bloque de 3 vías. Separar estas piezas.
- Colocar la junta tórica (elemento 36) y la arandela (elemento 37) en cada asiento y lubricar con grasa. Separar estas piezas.
- Colocar la junta (elemento 32) y la junta tórica (elemento 33) en cada tapón (elemento 31). Separar estas piezas.
- Lubricar con aceite el orificio en el bloque de la válvula (elemento 43).
- Bloques de 3 vías solamente: Colocar el asiento que aún no se ha conformado (elementos 36, 37 y 39 - sin la bola) en uno de los extremos del orificio. Utilizar la herramienta especial AT100479. No instalar la bola (elemento 35) o el resorte (elemento 34) en este extremo. Véase la figura 2.
- Bloques de 4 vías solamente: Colocar el primer asiento (elementos 36, 37 y 39) con la bola hacia arriba (elemento 35) en cualquier extremo del orificio. Utilizar la herramienta especial AT100479. Véase la figura 3.
- Bloques de 4 vías solamente: Untar un resorte (elemento 34, figura 4) con grasa y colocarlo en el tapón (elemento 31).
- Enroscar el tapón (elementos 31-33 y elemento 34, si se utilizan) en la abertura del orificio del mismo extremo en el que se instaló el asiento. Apretar a 115-129 Nm (85-95 lb-pies).
- Dar vuelta el bloque de la válvula (elemento 43, figuras 2 y 3) para que el extremo contrario del orificio quede hacia arriba. Lubricar el orificio con aceite.
- Montar el pistón (elemento 42) con la junta tórica (elemento 41) y 2 arandelas de respaldo (elemento 40). Colocar el pistón (elementos 40-42) en el orificio. Utilizar la herramienta especial AT100479-1.
- Colocar el segundo asiento (elementos 36, 37 y 39) con la bola hacia arriba (elemento 35) en el orificio. Utilizar la herramienta especial AT100479.
- Untar el resorte (elemento 34) con grasa y colocarlo en el tapón (elemento 31).
- Enroscar el tapón (elementos 31-33) con el resorte (elemento 34) en la abertura del orificio. Apretar a 115-129 Nm (85-95 lb-pies).
- Colocar las juntas tóricas (elemento 26, figura 1B) en el colector múltiple (elemento 27).

#### Ajuste de la válvula de descarga

La válvula está equipada con una válvula de descarga ajustable por el usuario. Ajustar el valor de presión como se indica a continuación:

#### VM33, VM33M, VM43 y VM43M solamente

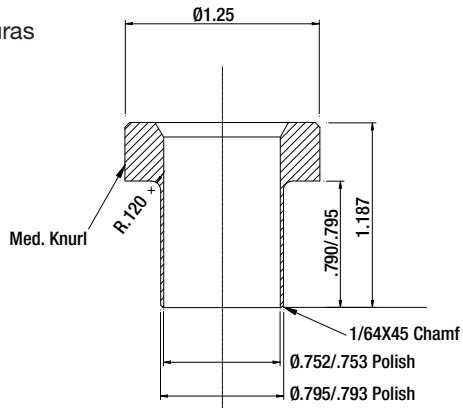
- Instalar un manómetro de 0-1.035 bar (0-15.000 psi) en la toma "A" (véase figura 10).
- VM43 y VM43M solamente: Colocar un tapón rosca tubo de 3/8 de pulg. en la toma "B" y apretarlo a 33 Nm (25 lb-pies).
- Aflojar la tuerca de fijación de la válvula de descarga para poder regular el tornillo de ajuste.



**Outils spéciaux**

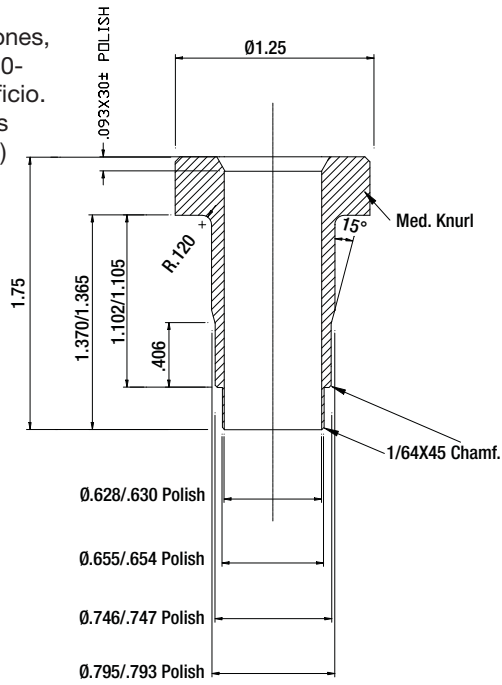
**AT100479**

Utilizar para montar asientos, elemento 39, en el orificio. (Consulte las figuras 2 y 3)

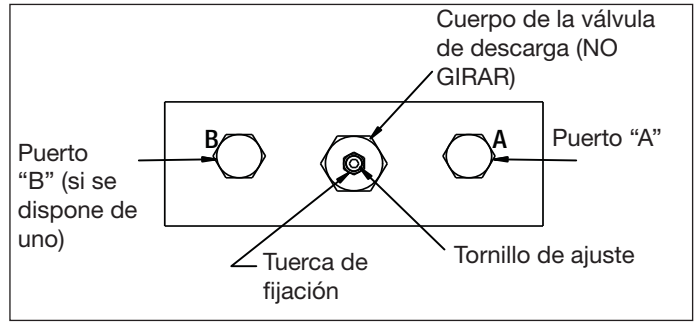


**AT100479-1**

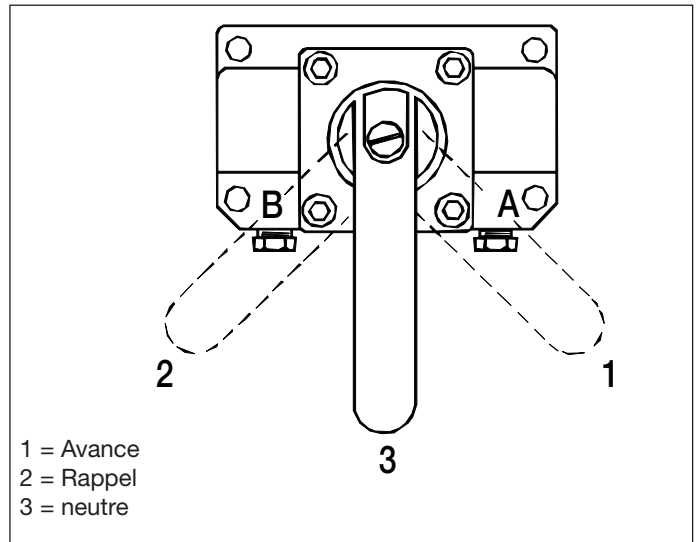
Utilizar para montar pistones, elementos 40-42, en el orificio. (Consulte las figuras 2 y 3)



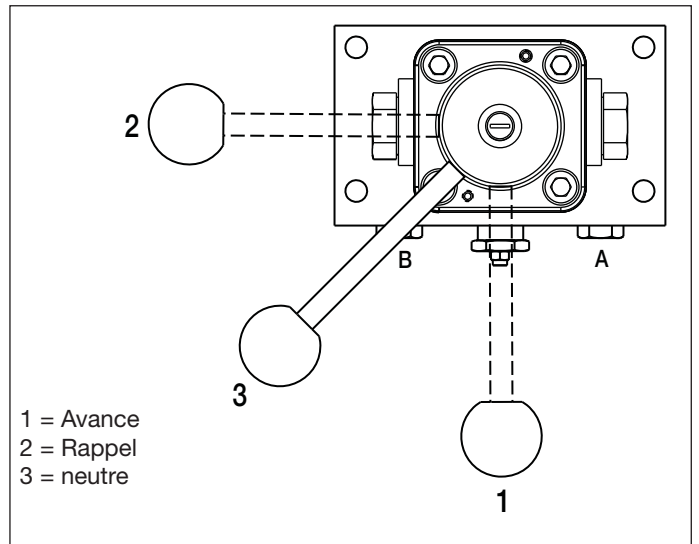
**Figura 9, herramientas especiales**



**Figura 10**



**Figura 11, Posiciones de la maneta de la válvula, VM33, VM33L, VM43, VM43L**



**Figura 12, Posiciones de la maneta de la válvula, VM33M, VM43M**

4. Girar la maneta de control de la válvula a la posición neutral ("3"). Consulte la figura 11 para las posiciones de las válvulas VM33 y VM43. Consulte la figura 12 para las posiciones de las válvulas VM33M y VM43M.
5. Arrancar la bomba para que el aceite se caliente.
6. Girar la maneta de control de la válvula a la posición de avance ("1"). Permitir que se acumule presión.
7. Para incrementar la presión: Girar LENTAMENTE en sentido horario el tornillo de ajuste de la válvula de descarga hasta que la presión alcance el valor deseado.  
NOTA: Una válvula antirretorno interna en el colector múltiple evitará que la presión descienda cuando se gira el tornillo de ajuste en sentido antihorario. Para disminuir el ajuste de presión, siga el procedimiento en los pasos 8a a 8e.
8. Para disminuir la presión:
  - a. Comprobar que la bomba esté funcionando.
  - b. Girar la maneta de control de la válvula a la posición neutral ("3") para disminuir la presión en la toma "A".
  - c. Girar una sola vuelta el tornillo de ajuste de la válvula de descarga en sentido antihorario.
  - d. Girar la maneta de control de la válvula a la posición de avance ("1").
  - e. Girar LENTAMENTE en sentido horario el tornillo de ajuste de la válvula de descarga hasta que la presión en la toma "A" alcance el valor deseado.
9. Fijar el tornillo de ajuste con la contratuerca cuando se logre el ajuste de presión deseado. NO ajustar en exceso.
10. Antes de parar la bomba, girar momentáneamente la maneta de control de la válvula a la posición de retracción ("2") para disminuir la presión en la toma "A". Después, girar la maneta a la posición neutral ("3"). Comprobar que el manómetro indique cero (0) bar (0 psi).
11. Detener la bomba.

**VM33L y VM43L solamente:**

1. Instalar un manómetro de 0-1.035 bar (0-15.000 psi) en la toma "A" (véase figura 10).
2. VM43L solamente: Instalar un tapón rosca tubo de 3/8 de pulg. en la toma "B" y apretarlo a 33 Nm (25 lb-pies).
3. Aflojar la contratuerca de la válvula de descarga para poder regular el tornillo de ajuste.
4. Girar la maneta de control de la válvula a la posición neutral ("3"). Consultar la figura 11 para las posiciones de la válvula.
5. Arrancar la bomba para que el aceite se caliente.
6. Girar la maneta de control de la válvula a la posición de avance ("1"). Permitir que se acumule presión.
7. Para incrementar la presión: Con la bomba en funcionamiento, girar LENTAMENTE en sentido horario el tornillo de ajuste de la válvula de descarga hasta que la presión en la toma "A" alcance el valor deseado.  
NOTA: Una válvula antirretorno mediante piloto en el bloque de aislamiento evitará que la presión descienda cuando se gira el tornillo de ajuste en sentido antihorario. Para disminuir el ajuste de presión, siga el procedimiento en los pasos 8a a 8e.

L2613 Rev. H 08/18

**OPLOSSEN VAN PROBLEMEN BIJ, EN HERSTELLEN VAN  
VM33, VM33M, VM33L, VM43, VM43M, VM43L HANDBEDIENDE VENTIELEN**

Tijdens het diagnosticeren van defecte ventielen is het mogelijk dat bepaalde symptomen niet alleen in ventielen voorkomen, maar dat dit vaak gemeenschappelijke symptomen zijn in hydraulische apparaten. Voordat het stuurventiel wordt gerepareerd moet een ander VM ventiel op de pomp gemonteerd worden, en dient er geverifieerd worden dat het probleem niet bij de pomp ligt.

**PROBLEMEN OPLOSSEN:**

**VOORZICHTIG:** Tijdens de montage moeten de standaard veiligheidsprocedures worden gevolgd, om de mogelijkheid op letsel tot een minimum te beperken.

1. Geen druk kunnen opbouwen, kan het gevolg zijn van beschadigde afdichtingen op de pomp of van een defecte onderdelen van een ontlastventiel (items 6, 7, figuur 7), van een beschadigde kogel en zitting in de behuizing (items 1, 2, figuur 8) of van beschadigde of versleten afdichtingen en schijf (item 16, 18, 84, figuur 1D). Dit soort problemen is gewoonlijk een symptoom van verontreinigde hydraulische olie. Het systeem moet worden afgetapt en opnieuw worden gevuld met nieuwe hydraulische olie van ENERPAC.
2. Aanhoudende druklekken die verhoudingsgewijs erger worden naarmate het drukbereik toeneemt, zijn meestal het gevolg van lekke pakkingringen, of van beschadigde schroefdraad zoals NPTF-fittingen of -pluggen.
3. Lekkage van de kogelzitting komt vaak onregelmatig en periodiek voor, en wordt veroorzaakt door in de stuurventielzitting vastgeraakte verontreinigende materialen. Na verloop van tijd, en wanneer er slijtage optreedt, moeten de zittingen worden vervangen.
4. Op de buitenoppervlakken waargenomen lekkage rondom de stang (item 13, figuur 1D) duidt erop dat de o-ring (item 15) en steuning (item 14) moeten worden vervangen.
5. Op de buitenoppervlakken waargenomen lekkage rondom de behuizing van de drukontlastventiel (item 1, figuur 7) is een aanwijzing dat de o-ring (item 8) moet worden vervangen.

**DEMONTAGE:**

1. Verwijder de 4 inbus-kopschroeven (item 76, figuur 1C) en verwijder het stuurventiel van de pomp.
2. Verwijder de retourslang (item 75) en pakkingring (item 70).
3. Verwijder de schroef (item 1, figuur 1D) en ring (item 2) van de stang (item 13).
4. Alle modellen, behalve VM33M & VM43M: Verwijder de hendel (item 3), ---schijf (item 4), kogel (item 5), en veer (item 6).
5. Enkel modellen VM33M & VM43M: Verwijder de hendeldop (item 66), hefboom (item 67), en de knop (item 68) als geheel. Verwijder de kogel (item 5) en veer (item 6).
6. Verwijder de 4 inbus-kopschroeven (item 7) en verwijder de bovenste stuurventielmontage. (item 44, figuren 1A & 1B) van het verdeelstuk (item 27) of borgventielblok (item 45 of 46).

7. Verwijder de 2 inbus-kopschroeven (item 24, figuur 1D) en verwijder de behuizing (item 23) van de stuurventieldop (item 9).
8. Verwijder de stangmontage en controleer de o-ring (item 15) en steuning (item 14) op schade. Indien noodzakelijk, vervangen.
9. Verwijder de o-ring (item 10) en controleer ze op schade zoals groeven of slijtage. Indien noodzakelijk, vervangen.
10. Verwijder de lager (item 12) en lagerplaat (item 11) en controleer ze op schade. Indien noodzakelijk, vervangen.
11. Verwijder de afdichtingsset (items 18-20 of 84-86) uit de boringen in het lichaam.
12. Verwijder de o-ringen (item 20 of 86) en steunringen (item 19 of 85) en controleer ze op schade. Indien noodzakelijk, vervangen.
13. Verwijder de veren (item 22) en controleer ze op schade zoals breuken of permanent vastraken. Indien noodzakelijk, vervangen.
14. De demontage van het verdeelstuk moet als volgt worden uitgevoerd:
15. Draai de borgmoer (item 9, figuur 7) los en draai de instelschroef los. (item 2).
16. Gebruik een 7/8" sleutel om de drukontlastventielmontage te verwijderen (item 58, figuren 4, 5, 6, en 6A) van de behuizing.
17. Verwijder de zitting (item 57) van de behuizing.
18. Controleer de zitting op schade, zoals inkepingen of deuken op de scherpe rand van de binnendiameter. Indien noodzakelijk, vervangen.
19. Controleer de o-ring (item 8, figuur 7) op schade, en vervang hem, indien noodzakelijk.
20. Controleer de kogel (item 7) en geleider (item 6). Indien noodzakelijk, vervangen.
21. Verwijder de pijppluggen (items 53, 54, 55, figuren 4, 5, 6, en 6A) en maak de behuizing schoon. De behuizing op mogelijke schade controleren.

**HERMONTAGE:**

Procedure voor de montage van het verdeelstuk

1. Breng Teflon-tape op de schroefdraad aan. Installeer de nieuwe pijpplug (item 53, figuren 4, 5, 6 & 6A) en haal deze aan tot 14-16 Nm. Installeer de pijpplug (item 54, 55) en haal deze aan tot 43-52 Nm.
2. Installeer de koperen pakkingring (item 56) op de zitting (item 57), zodat de ronde randen van de zitting afgekeerd zijn.
3. Plaats de zitting op de onderste contraboring in de stuurventielbehuizing, met de pakkingring omlaag. Opmerking: zorg ervoor dat de zitting stevig geplaatst en niet scheef zit.
4. Smeer de o-ring op het geheel van de drukontlastventiel in, en steek de ring in de opening in de stuurventielbehuizing.
5. Haal de drukontlastventielmontage (Item 58) aan tot 43-53

Nm.

### Procedure voor de montage van het bovenste handbediende ventiel

1. Plaats de plaat (item 11 figuur 1D) en lager (item 12) in de dop.
2. Plaats de o-ring (item 10) in de groef van de dop.
3. Plaats de o-ring (item 15) en steunring (item 14) op de stang (item 13). De o-ring wordt het dichtst bij het schroefdraaduiteinde van de stang geplaatst.
4. Steek de rolpen (item 17) door het doorgaande gat in de schijf (item 16). Plaats de stang (item 13) in de schijf langs de vaste kant van de schijf. Lijn het doorgaande gat in de stang uit ten opzichte van het doorgaande gat in de schijf, en druk of hamer de rolpen in, tot zijvlak ligt ten opzichte van de buitendiameter van de schijf.
5. Smeer de o-ring en steunring op de stang in met vet. Steek de spoel en schijfmontage in de stuurventieldop (item 9).
6. Plaats de veren (item 22) in elk van de 3 gaten, behalve in het gat aan de kant van de tank van de behuizing (item 23).
7. Alle modellen, behalve VM33M & VM43M: Monteer de afdichting (item 18) met 2 reserve-ringen (item 19) en 1 o-ring (item 20). De o-ring moet tussen de reserve-ringen worden geplaatst.
8. Enkel modellen VM33M & VM43M: Monteer de afdichting (item 84) met 1 reserve-ring (item 85) en 1 o-ring (item 86). De o-ring moet onder de steunring worden geplaatst.
9. Smeer de o-ringen en afdichtingen in. Plaats de schraapafdichtingen met de hand in de behuizing (item 23).
10. Met behulp van een 5/32" zeskantsleutel plaatst u de behuizing met twee schroeven (item 24) handvast op de dop.
11. Plaats 4 o-ringen (item 25) op de behuizing.
12. Plaats de bovenste stuurventielmontage op het verdeelstuk of op het borgventielblok door gebruik te maken van 4 inbuschroeven (item 7, figuur 1A & 1B). Aanhalen tot 38-46 Nm.
13. Plaats de veer (item 6, figuur 1D) in het gat in de stuurventieldop (item 9). Plaats de kogel (item 5) op de veer.
14. Alle modellen, behalve VM33M & VM43M: Zet de schijf (item 4) met de scherpe rand omhoog op de stang, zodat zij op de kogel rust. Zet de hendel (item 3) op de stang;
15. Enkel modellen VM33M & VM43M: Plaats de hendeldop (item 66), hefboom (item 67), en de knop (item 68) als geheel op de stang.
16. Plaats de ring (item 2) op de stang. Smeer Loctite 222 op de schroefdraad van de schroef (item 1) en draai deze met de hand vast.

### Procedure enkel voor borgventielblokken:

1. Plaats een nieuwe kogel (item 35, figuren 2 & 3) op de zitting (item 39), onder druk (55 bar met een 10-tons pers of 110 bar met een 5-tons pers). Voer twee montages uit voor een 4-wegs blok, of slechts een enkel voor een 3-wegs blok. Leg deze delen terzijde.
2. Plaats een o-ring (item 36) en een steunring (item 37) op elke zitting en smeer ze in met vet. Leg deze delen terzijde.
3. Plaats een pakking (item 32) en een o-ring (item 33) op elke plug (item 31) Leg deze delen terzijde.
4. Smeer de boring in het stuurventielblok (item 43) in met olie.
5. Enkel op 3-wegs blokken: Plaats het geheel van de zitting

los (items 36, 37 & 39, zonder kogel) in één uiteinde van de boring Gebruik het speciale gereedschap AT100479. Plaats de kogel (item 35) of de veer (item 34) niet langs dit einde. Zie figuur 2.

6. Enkel op 4-wegs blokken: Plaats de eerste zittingmontages (items 36, 37 & 39) in elk einde van de boring, met de kogel (item 35) naar boven gericht. Gebruik het speciale gereedschap AT100479. Zie figuur 3.
7. Enkel op 4-wegs blokken: Dompel een veer (item 34, figuur 4) in vet en plaats haar in de plug (item 31).
8. Schroef de plugmontage (items 31-33 en item 34, indien gebruikt) in de opening van de boring langs hetzelfde einde waarin de zitting werd aangebracht. Aanhalen tot 115-129 Nm.
9. Draai het stuurventielblok (item 43, figuren 2 & 3) zodat het tegenovergestelde einde van de boring naar boven is gericht. Smeer de boring in met olie.
10. Monteer de zuiger (item 42) met de o-ring (item 41) en twee steunringen (item 40). Plaats het zuigergeheel (items 40-42) in de boring. Gebruik het speciale gereedschap AT100479-1.
11. Plaats de tweede zittingmontages (items 36, 37 & 39) in de boring, met de kogel (item 35) naar boven gericht. Gebruik het speciale gereedschap AT100479.
12. Dompel de veer (item 34) in het vet en monteer deze in de plug (item 31).
13. Schroef de plugmontages (items 31-33) met de veer (item 34) in de opening van de boring. Aanhalen tot 115-129 Nm.
14. Zet de o-ringen (item 26, figuur 1B) op het verdeelstuk (item 27).

### Afstelling drukontlastventiel

Het stuurventielgeheel is uitgerust met een door de gebruiker instelbaar drukontlastventiel. Stel de druk als volgt in:

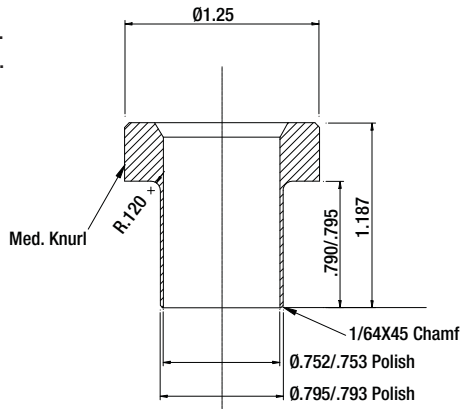
#### Enkel VM33, VM33M, VM43 en VM43M

1. Plaats een 0-1000 bar manometer in de "A"-poort (zie Figuur 10).
2. Enkel VM43 & VM43M: Plaats een 3/8" pijpplug op de "B"-poort en haal deze aan tot 33 Nm.
3. Draai de borgmoer van het ontlastventiel los om de instelling van de instelschroef mogelijk te maken.
4. Zet de hendel van het controleventiel in de neutrale ("3") stand. Zie Figuur 11 voor stuurventielstanden voor VM33 en VM43. Zie Figuur 12 voor stuurventielstanden voor VM33M en VM43M.
5. Start de pomp en laat de olie opwarmen.
6. Zet de hendel van het controlestuurventiel in de voorwaartse ("1") stand. Laat de druk opbouwen.
7. Om de druk te verhogen: Draai de instelschroef van het ontlastventiel LANGZAAM in de richting van de klok tot de druk zich instelt op het gewenste niveau.  
OPMERKING: Een interne terugslagklep in het verdeelstuk zal voorkomen dat de druk wegvalt wanneer de instelschroef tegen de richting van de klok wordt ingedraaid. Om de insteldruk te verlagen, volgt u de procedure in stappen 8a tot en met 8e.

## Speciale gereedschappen

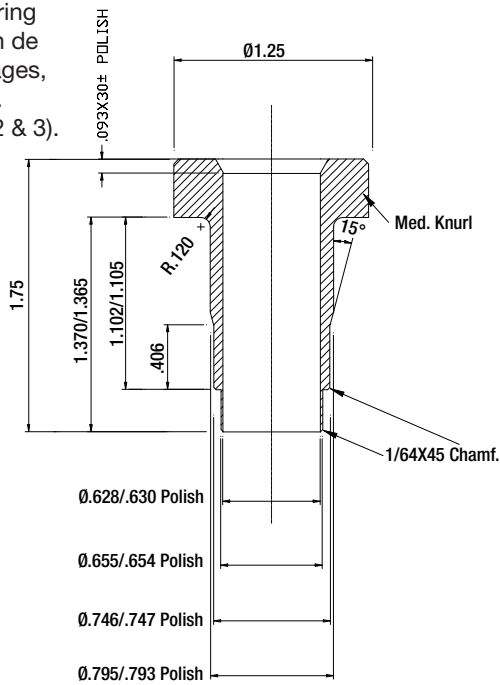
### AT100479

Te gebruiken voor het in de boring plaatsen van de zittingen, item 39. (zie figuren 2 & 3).

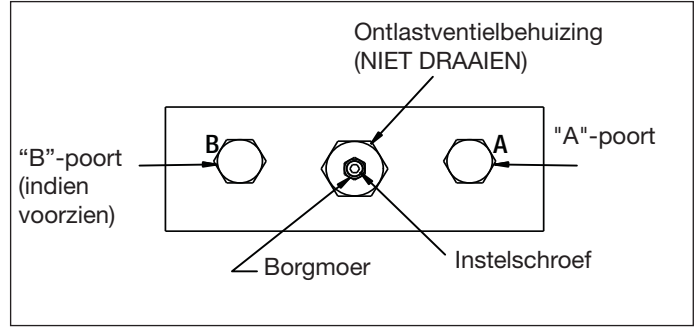


### AT100479-1

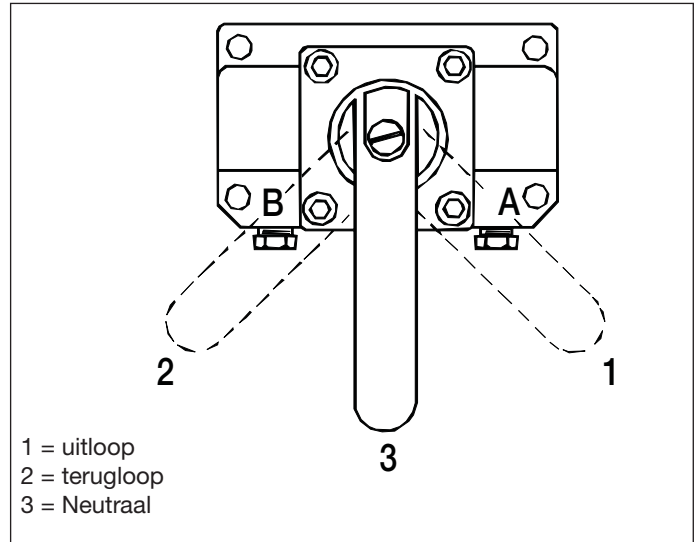
Te gebruiken voor het in de boring plaatsen van de zuigermontages, items 40-42. (zie figuren 2 & 3).



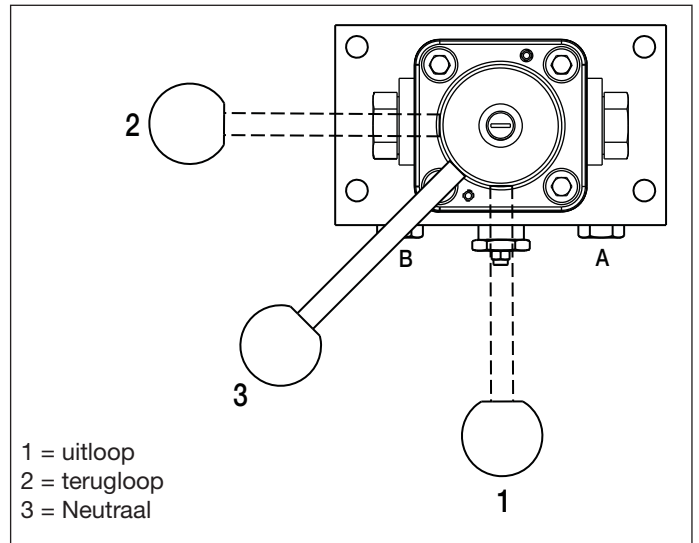
Figuur 9, Speciale Gereedschappen



Figuur 10



Figuur 11, Standen van de stuurventielhendel, VM33, VM33L, VM43, VM43L



Figuur 12, Standen van de Stuurventielhendel, VM33M, VM43M

8. Om de druk te verlagen:
  - a. Vergewis u ervan dat de pomp draait.
  - b. Draai de hendel van het controlestuurventiel in de neutrale ("3") stand om de druk weg te halen van de "A"-poort.
  - c. Draai de instelschroef van het ontlastventiel één slag tegen de richting van de klok in.
  - d. Zet de hendel van het controlestuurventiel in de voorwaartse ("1") stand.
  - e. Draai de instelschroef van het ontlastventiel LANGZAAM in de richting van de klok tot de druk zich instelt op het gewenste niveau.
9. Wanneer de gewenste insteldruk bereikt is, zet de instelschroef vast met behulp van de borgmoer. Span NIET overmatig aan.
10. Alvorens de pomp uit te schakelen, draai de hendel van het controlestuurventiel in de intrek ("2") stand om de druk op de "A"-poort te verlagen. Zet de hendel vervolgens in de neutrale ("3") stand. Controleer of de meter nul (0) bar aangeeft.
11. Schakel de pomp uit.

#### **Enkel VM33L & VM43L:**

1. Plaats een 0-1 bar meter in de "A"-poort (zie Figuur 10).
2. Enkel VM43L: Plaats een 3/8" pijpplug op de "B"-poort en haal deze aan tot 33 Nm.
3. Draai de borgmoer van het ontlastventiel los om de instelling van de instelschroef mogelijk te maken.
4. Zet de hendel van het controleventiel in de neutrale ("3") stand. Zie Figuur 11 voor de stuurventielposities.
5. Start de pomp en laat de olie opwarmen.
6. Zet de hendel van het controlestuurventiel in de voorwaartse ("1") stand. Laat de druk opbouwen.
7. Om de druk te verhogen: Draai de instelschroef van het ontlastventiel LANGZAAM in de richting van de klok tot de druk op de "A"-poort zich instelt op het gewenste niveau.  
 OPMERKING: Een drukgestuurde terugslagklep in het borgventielblok zal voorkomen dat de druk wegvalt wanneer de instelschroef tegen de richting van de klok wordt ingedraaid. Om de insteldruk te verlagen, volg de procedure in stappen 8a tot en met 8e.
8. Om de druk te verlagen:
  - a. Vergewis u ervan dat de pomp draait.
  - b. Zet de hendel van het controlestuurventiel tijdelijk in de intrek ("2") stand. Zet de hendel vervolgens in de neutrale ("3") stand. Dit zal de drukgestuurde terugslagklep activeren en de druk op de "A"-poort doen afnemen.
  - c. Draai de instelschroef van het ontlastventiel één slag tegen de richting van de klok in.
  - d. Zet de hendel van het controlestuurventiel in de voorwaartse ("1") stand.
  - e. Draai de instelschroef van het ontlastventiel LANGZAAM in de richting van de klok tot de druk op de "A"-poort zich instelt op het gewenste niveau.
9. Wanneer de gewenste insteldruk bereikt is, zet de instelschroef vast met behulp van de borgmoer. Span NIET overmatig aan.

**L2613 Rev. H 08/18****Solucionando problemas e Manutenção das Válvulas Manuais VM33, VM33M, VM33L, VM43, VM43M, VM43L**

No diagnóstico do mau funcionamento das válvulas, alguns sintomas podem ser comuns não somente para as válvulas, mas, freqüentemente, aos equipamentos hidráulicos em geral. Antes de consertar a válvula, monte uma VM diferente na bomba e verifique se o problema não é com a bomba.

**SOLUCIONANDO PROBLEMAS:**

**PRECAUÇÕES:** Procedimentos padrão de segurança devem ser observados durante a montagem para minimizar qualquer possibilidade de lesões.

1. Impossibilidade em obter qualquer pressão pode ser o resultado de vedações danificadas de conectores na bomba, ou falha de componentes da válvula de alívio (itens 6, 7, figura 7), esfera ou assento danificados no corpo (itens 16, 18,84, figura 1D). Estes problemas são, normalmente, um sintoma de óleo hidráulico contaminado. O sistema deveria ser drenado e abastecido com óleo hidráulico ENERPAC novo.
  2. Vazamentos de pressão que são consistentes e aumentam proporcionalmente com o aumento das faixas de pressão são, de forma geral, o resultado de gaxetas com vazamento ou da superfície das roscas NPTF, tais como em conexões ou bujões.
  3. Vazamento na esfera do assento é, com freqüência, irregular e intermitente, podendo ser causado por contaminantes presos na extremidade da vedação. Com o tempo, conforme ocorre o desgaste, estes assentos devem ser substituídos.
  4. Vazamento observado nas superfícies externas ao redor do eixo (item 13, figura 1D) pode ser uma indicação de que os anéis tipo "O" (item 15) e de apoio (item 14) precisam ser substituídos.
  5. Vazamento observado nas superfícies externas ao redor do corpo da válvula de alívio (item 1, figura 7) é uma indicação de que o anel tipo "O" (item 8) precisa ser substituído.
7. Remova os 2 parafusos tipo soquete de cabeça sextavada (item 24, figura 1D) e separe o corpo (item 23) da calota da válvula (item 9).
  8. Remova a montagem do eixo e inspecione os anéis tipo "O" (item 15) e de apoio (item 14) para danos. Substitua, caso necessário.
  9. Remova o anel tipo "O" (item 10) e inspecione para danos como dentes ou cortes. Substitua, caso necessário.
  10. Remova a bucha (item 12) e a placa da bucha (item 11) e inspecione para danos. Substitua, caso necessário.
  11. Remova a montagem das vedações deslizantes (itens 18-21 ou 84-86) dos furos no corpo.
  12. Remova os anéis tipo "O" (item 20 ou 86) e as arruelas de apoio (item 19 ou 85) e inspecione para danos. Substitua, caso necessário.
  13. Remova as molas (item 22) e inspecione para danos como ruptura ou deformação. Substitua, caso necessário.
  14. Desmontagem do manifold, conforme segue:
  15. Solte a porca trava (item 9, figura 7) e desparafuse o parafuso de ajuste. (item 2).
  16. Usando um soquete de 7/8", solte e remova a montagem da válvula de alívio (item 58, figuras 4, 5, 6 e 6A) do corpo.
  17. Remova o assento (item 57) do corpo.
  18. Inspeção o assento para danos como cortes ou dentes na extremidade pontiaguda do diâmetro interno. Substitua, caso necessário.
  19. Inspeção o anel tipo "O" (item 8, figura 7) para danos e substitua se necessário.
  20. Inspeção a esfera (item 7) e a guia (item 6). Substitua se necessário.
  21. Remova os bujões do tubo (item 53,54,55, figuras 4, 5, 6 e 6A) e limpe o corpo. Inspeção o corpo para danos.

**DESMONTAGEM:**

1. Remova os 4 parafusos tipo soquete de cabeça sextavada (item 76, figura 1C) e remova a válvula da bomba.
2. Remova o tubo de retorno (item 75) e a gaxeta (item 70).
3. Remova o parafuso (item 1, figura 1D) e a arruela (item 2) do eixo (item 13).
4. Todos os modelos, exceto VM33M e 43M: Remova a alavanca (item 3), ---disco (item 4) esfera (item 5) e mola (item 6).
5. Somente modelos VM33M e VM43M: Remova a calota da alavanca (item 66), a alavanca (item 67) e o botão (item 68) como uma montagem. Remova a esfera (item 5) e a mola (item 6).
6. Remova os 4 parafusos tipo soquete de cabeça sextavada (item 7) e remova a montagem superior da válvula (item 44,

**REMONTAGEM:****Procedimento para montagem do Manifold**

1. Aplique fita Teflon nas roscas. Instale um novo bujão no tubo (item 53, figuras 4, 5, 6 e 6A) e aplique torque de 14–16 Nm [10-12 pés-libras]. Instale um bujão no tubo (itens 54,55) e aplique torque de 43–52 Nm [32-39 pés-libras].
2. Instale uma gaxeta de cobre (item 56) sobre o assento (item 57), com as bordas arredondadas distantes do assento.
3. Coloque o assento sobre o contra furo inferior no corpo da válvula, com a gaxeta virada para baixo. Nota: certifique-se de que o assento está firmemente posicionado e não torcido.
4. Engraxe o anel tipo "O" da montagem da válvula de alívio e posicione-o na cavidade do corpo da válvula.

5. Na montagem da válvula de alívio (item 58) aplique torque de 43-53 Nm [32-39 pés-libras].

### Procedimento para Montagem da Válvula Manual Superior

1. Posicione a placa (item 11, figura 1D) e a bucha (item 12) na tampa.
2. Coloque o anel tipo “O” (item 10) no encaixe da tampa.
3. Coloque o anel tipo “O” (item 15) e a arruela de apoio (item 14) sobre o eixo (item 13). O anel tipo “O” é colocado o mais próximo possível da extremidade rosqueada do eixo.
4. Coloque o pino do eixo (item 17) no furo do disco (item 16). Insira o eixo (item 13) no lado sólido do disco. Alinhe o furo no eixo no disco e pressione ou bata com um martelo até que o pino esteja nivelado com o diâmetro externo do disco.
5. Lubrifique o anel tipo “O” e anel de apoio no eixo com graxa. Insira o eixo e a montagem do disco na calota da válvula (item 9).
6. Coloque as molas (item 22) em cada um dos três furos, exceto no furo lateral do tanque no corpo (item 23).
7. Todos os modelos exceto VM33M e VM43M: Monte cada vedação deslizante (item 18) com duas arruelas de apoio (item 19) e 1 anel tipo “O” (item 20). O anel tipo “O” é posicionado entre as arruelas de apoio.
8. Somente Modelos VM33M e VM43M: Monte cada vedação deslizante (item 84) com 1 arruela de apoio (item 85) e 1 anel tipo “O” (item 86). O anel tipo “O” é colocado posicionado debaixo da arruela de apoio.
9. Lubrifique o anel tipo “O” e as arruelas de apoio. Insira, manualmente, as montagens das vedações deslizantes no corpo (item 23).
10. Aperte o corpo sobre a tampa com 2 parafusos (item 24) com uma chave de fenda de 5/32”.
11. Coloque 4 anéis tipo “O” (item 25) sobre o corpo.
12. Coloque a montagem da válvula superior sobre o manifold ou sobre a válvula com bloco de retenção usando 4 parafusos tipo soquete de cabeça sextavada (item 7, figuras 1A e 1B). Aplique torque de 38-46 Nm [28-34 pés-libras].
13. Insira a mola (item 6, figura 1D) no furo da calota da válvula (item 9). Instale a esfera (item 5) sobre a mola.
14. Todos os modelos exceto VM33M e VM43M: Coloque o disco (item 4) com o canto agudo voltado para cima sobre o eixo e apoiado na esfera. Coloque a alavanca (item 3) sobre o eixo.
15. Somente para modelos VM33M e VM43M: Coloque a calota da alavanca (item 66), a alavanca (item 67) e o botão (item 68) como uma montagem.
16. Insira a arruela (item 2) sobre o eixo. Aplique Loctite 222 nas roscas do parafuso (item 1) e aperte manualmente.

### Procedimento para Válvulas com bloco de retenção, somente:

1. Posicione uma nova esfera (item 35, figuras 2 e 3) sobre o assento (item 39) com prensa (195 psi com cilindros de 10 ton ou 380 psi com cilindros de 5 ton.). Faça duas montagens para blocos de retenção de 4 vias ou somente um bloco de retenção de 3 vias. Deixe estas partes reservadas.
2. Coloque os anéis tipo “O” (item 36) e de apoio (item 37) sobre cada assento (item 39) e lubrifique com graxa. Coloque estas partes de lado.
3. Coloque a gaxeta (item 32) e o anel tipo “O” (item 33) sobre

cada bujão (item 31).Deixe estas partes reservadas.

4. Lubrifique com óleo o furo do bloco da válvula (item 43).
5. Somente para blocos de 3 vias: Coloque a montagem do assento não marcado (itens 36, 37 e 39 – sem esfera) numa extremidade do furo. Use a ferramenta especial AT100479. Não instale a esfera (item 35) ou a mola (item 34) nesta extremidade. Veja a figura 2.
6. Somente para blocos de 4 vias: Coloque a montagem do primeiro assento (itens 36, 37 e 39) em qualquer das extremidades do furo com a esfera (item 35) virada para cima. Use a ferramenta especial AT100479. Veja a figura 3.
7. Somente para blocos de 4 vias: Mergulhe uma mola (item 34, figura 4) na graxa e coloque-a no bujão (item 31).
8. Rosqueie a montagem do bujão(itens 31-33 e item 34, caso usado) na abertura do furo no mesmo lado em que o assento foi instalado. Aplique torque de 115-129 Nm [85-95 pés-libras].
9. Gire o bloco da válvula (item 43, figuras 2 e 3) de forma que a extremidade oposta do furo esteja virada para cima. Lubrifique o furo com óleo.
10. Monte o pistão (item 42) com anel tipo “O” (item 41) e 2 arruelas de apoio (item 40).
- 40). Coloque a montagem do pistão (itens 40-42) no furo. Use a ferramenta especial AT100479-1.
11. Coloque a segunda montagem do assento (itens 36, 37 e 39) no furo com a esfera (item 35) virada para cima. Use a ferramenta especial AT100479.
12. Mergulhe a mola (item 34) na graxa e coloque-a no bujão (item 31).
13. Rosqueie a montagem do bujão (itens 31-33) com mola (item 34) na abertura do furo. Aplique torque de 115-129 Nm [85-95 pés-libras].
14. Coloque anéis tipo “O” (item 26, figura 1B) sobre o manifold (item 27).

### Ajuste da Válvula de Alívio

A montagem da válvula é equipada com uma válvula de alívio ajustável pelo usuário. Ajuste a pressão como a seguir:

Somente para VM33, VM33M, VM43 e VM43M

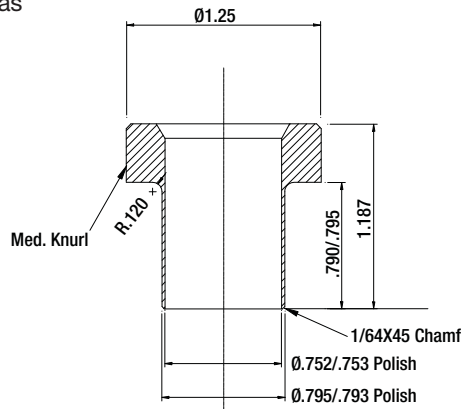
1. Instale um manômetro 0-1,035 bar [ 0-15,000 psi ] na saída “A” (ver figura 10).
2. Somente VM43 e VM43M: Coloque um bujão no tubo de 3/8" na saída “B” e aplique torque de 33Nm [25 pés-libras].
3. Solte a porca trava da válvula de alívio para permitir a regulação do parafuso de ajuste.
4. Gire a alavanca de controle da válvula para a posição neutro (“3”). Ver figura 11 para a posição das válvulas VM33 e VM43. Ver figura 12 para as posições das válvulas VM33M e VM43M.
5. Acione a bomba e permita o aquecimento do óleo.
6. Gire a alavanca de controle da válvula para a posição avanço (“1”). Permita a geração de pressão.
7. Para aumentar a pressão: VAGAROSAMENTE gire o parafuso de ajuste da válvula de alívio no sentido horário, até que a pressão atinja a regulação desejada.  
NOTA: Uma válvula interna de bloqueio no manifold evita que a pressão caia quando o parafuso de ajuste é girado no sentido anti-horário. Para diminuir o ajuste de pressão, siga o procedimento dos passos 8a até 8e.
8. Para diminuir a pressão:



## Ferramentas Especiais

### AT100479

Use para instalar os assentos, item 39, no furo. (ver figuras 2 e 3)



### AT100479-1

Use para instalar a montagem do pistão, itens 40-42, no furo. (ver figuras 2 e 3)

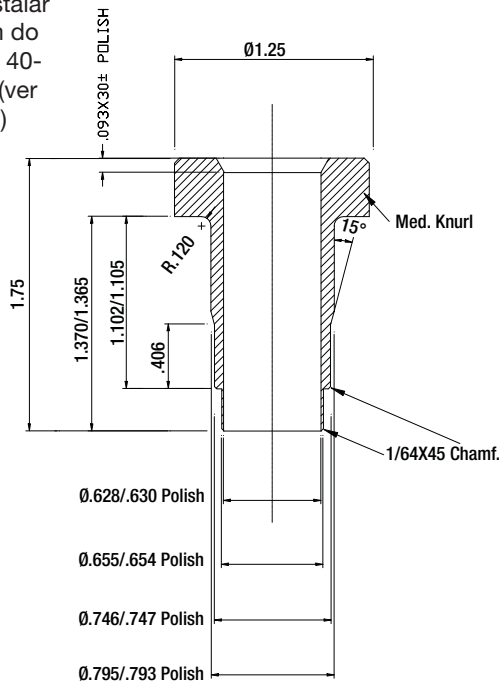


Figura 9, Ferramentas Especiais

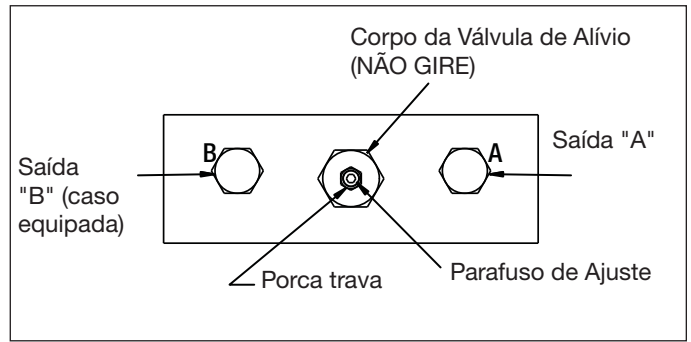


Figura 10

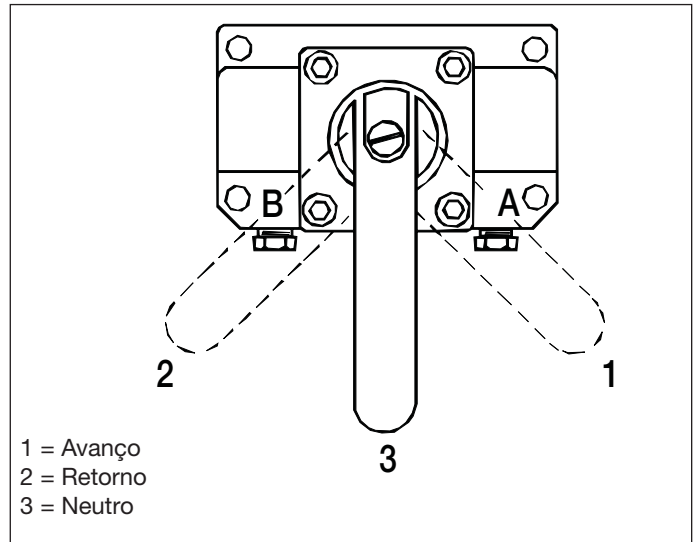


Figura 11, Posições da Alavanca das Válvulas, VM33, VM33L, VM43, VM43

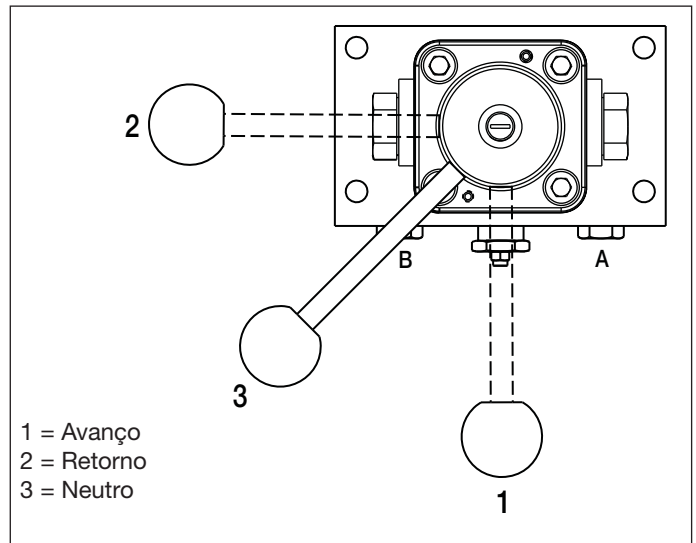


Figura 12, Posição da Alavanca das Válvulas, VM33M, VM43M

- a. Certifique-se de que a bomba está trabalhando.
  - b. Gire a alavanca de controle da válvula para a posição neutro (“3”) para reduzir a pressão na saída “A”.
  - c. Gire o parafuso de ajuste da válvula de alívio no sentido anti-horário uma volta.
  - d. Gire a alavanca de controle da válvula para a posição avanço (“1”).
  - e. VAGAROSAMENTE gire o parafuso de ajuste da válvula de alívio no sentido horário, até que a pressão atinja a regulagem desejada.
9. Uma vez que a pressão pretendida é alcançada, trave o parafuso de ajuste com porca trava. Não aperte demais.
  10. Antes de desligar a bomba, gire a alavanca da válvula de controle momentaneamente para a posição de retorno (“2”) para liberar a pressão na saída “A”. Depois, gire a alavanca para a posição neutro (“3”). Certifique-se de que o manômetro indica zero (0) psi.
  11. Pare a bomba.

### **Somente VM33L e VM43L**

1. Instale um manômetro 0-1,035 bar [l a 0-15,000 psi] na saída “A” (ver figura 10).
2. Somente VM43L: Coloque um bujão no tubo de 3/8" na saída “B” e aplique torque de 33Nm [25 pés-libras].
3. Solte a porca trava da válvula de alívio para permitir a regulagem do parafuso de ajuste.
4. Gire a alavanca de controle da válvula para a posição neutro (“3”). Ver figura 11 para a posição das válvulas.
5. Acione a bomba e permita o aquecimento do óleo.
6. Gire a alavanca de controle da válvula para a posição avanço (“1”). Permita a geração de pressão.
7. Para aumentar a pressão: VAGAROSAMENTE gire o parafuso de ajuste da válvula de alívio no sentido horário, até que a pressão atinja a regulagem desejada na saída “A”.  
NOTA: Uma válvula interna de bloqueio no manifold evita que a pressão caia quando o parafuso de ajuste é girado no sentido anti-horário. Para diminuir o ajuste de pressão, siga o procedimento dos passos 8a até 8e.
8. Para diminuir a pressão:
  - a. Certifique-se de que a bomba está trabalhando.
  - b. Gire a alavanca de controle da válvula para a posição retorno (“2”) momentaneamente. Então gire a alavanca para a posição neutro (“3”). Isto irá ativar a válvula de retenção pilotada e liberar a pressão na saída “A”.
  - c. Gire o parafuso de ajuste da válvula de alívio no sentido anti-horário uma volta.
  - d. Gire a alavanca de controle da válvula para a posição avanço (“1”).
  - e. VAGAROSAMENTE gire o parafuso de ajuste da válvula de alívio no sentido horário, até que a pressão na saída “A” aumente a regulagem desejada.
9. Uma vez que a pressão pretendida é alcançada, trave o parafuso de ajuste com porca trava. Não aperte demais.
10. Antes de desligar a bomba, gire a alavanca da válvula de controle momentaneamente para a posição de retorno (“2”) para liberar a pressão na saída “A”. Depois, gire a alavanca para a posição neutro (“3”). Certifique-se de que o manômetro indica zero (0) psi.
11. Pare a bomba.

L2613 Rev. H 08/18

**KÄSIVENTTIILIIEN VM33, VM33M, VM33L, VM43, VM43M, VM43L VIANMÄÄRITYS JA KORJAAMINEN**

Kun tehdään diagnoosi toimintahäiriöisille venttiileille, niin tietyt oireet saattavat olla yleisiä ei vain venttiileille, vaan lisäksi myös hydraulilaitteille yleensä. Ennen venttiin korjausta, aseta eri VM-venttiili pumppuun ja varmista, että ongelma ei ole pumpussa.

**VIANETSINTÄ:**

**VAROVAISUUS:** Standardi varotoimia tulee noudattaa kokoamisen aikana työtaturvavaaran minimoimiseksi.

1. Jos hydraulipaine ei muodostu se voi olla seurausta vaurioituneesta tiivisteestä pumpussa, tai vaurioituneista varoventtiin osasta (osa 6, kuva 7), vaurioituneesta kuulasta ja tiivisteestä rungossa (osa 1, 2. kuva 8), vaurioituneesta tai kuluneesta tiivisteestä ja kiekosta (osa 16, 18, kuva 1D). Nämä ongelmat ovat yleensä oire likaisesta hydraulijäätystä. Järjestelmään pitää vaihtaa uudet ENERPAC-hydrauliöljyt.
2. Yhdenmukaiset ja paineen kasvun kanssa suhteellisesti kasvavat painevuodot ovat yleensä seurausta vuotavista tiivisteistä tai liittimistä, kuten NTPF-liittimet tai tulpat.
3. Kuulapesän vuodot ovat yleensä säännöttömiä ja ajoittaisia, ja johtuvat yleensä saumojen reunaan jääneistä epäpuhtauksista. Ajan myötä kulumista tapahtuessa, nämä kuulapesät pitää vaihtaa.
4. Ulkopinnalla, varren (osa 13) ympärillä havaittava vuoto on osoitus siitä että o-rengas (osa 15) ja tukirengas (osa 14) täytyy vaihtaa.
5. Ulkopinnalla, varoventtiin rungon (osa 1, kuva 7) ympärillä havaittava vuoto on osoitus siitä, että o-rengas (osa 8) täytyy vaihtaa.
8. Poista akselikokonaisuus ja tarkasta o-rengas (osa 15) ja tukirengasrengas (osa 14) vaurioiden varalta. Korvaa tarvittaessa.
9. Poista o-rengas (osa 10) ja tarkasta vauriot, kuten viillot ja leikkeet. Korvaa tarvittaessa.
10. Poista laakeri (osa 12) ja laakerikiekko (osa 11) ja tarkasta vaurioiden varalta. Korvaa tarvittaessa.
11. Poista tiivistekokonaisuudet (osat 18–20 ja 84–86) rungon rei'istä.
12. Poista o-renkaat (osa 20 tai 86) ja tukirenkaat (osa 19) ja tarkasta vaurioiden varalta. Korvaa tarvittaessa.
13. Poista jouset (osa 22) ja tarkasta vaurioiden, kuten rikkoutumisen ja pysyvän venymän varalta. Korvaa tarvittaessa.
14. Pura venttiilipesä seuraavasti:
15. Löysää lukkomutteri (osa 9, kuva 7) ja ruuvaa irti säätöruuvi (osa 2).
16. Löysää ja poista rungosta varoventtiilikokoonpano (osa 58, kuvat 4, 5, 6 & 6A) rungosta 7/8" kannalla.
17. Poista istukka (osa 57) rungosta.
18. Tarkista istukka vaurioiden, kuten viiltojen tai lommojen varalta sisäläpimitan terävältä puolelta. Korvaa tarvittaessa.
19. Tarkista o-rengas (osa 8, kuva 7) vaurioiden varalta ja vaihda tarvittaessa.
20. Tarkista kuula (osa 7) ja kisko (osa 6). Korvaa tarvittaessa.
21. Poista putkitulpat (osat 53, 54, 55, kuvat 4, 5, 6 & 6A) ja puhdista runko. Tarkista runko vaurioiden varalta.

**PURKAMINEN:**

1. Poista 4 kuusiokoloruuvia ja poista venttiili pumpusta (osa 76, kuva 1C).
2. Poista poistoputki (osa 75) ja tiiviste (osa 70).
3. Poista ruuvi (osa 1, kuva 1 D) ja tiivistysrengas (osa 2) varresta (osa 13).
4. Kaikki mallit lukuun ottamatta malleja VM33M & 43M: Poista kahva (osa 3), --levy (osa 4), kuula (osa 5) sekä jousi (osa 6).
5. Ainoastaan mallit VM33M & VM43M: Poista kahvan suljin (osa 66), vipu (osa 67) ja nuppi (osa 68) yhtenä kokonaisuutena. Poista kuula (osa 5) ja jousi (osa 6).
6. Poista 4 kantakoloruuvia (osa 7) ja poista ylempi venttiilikokoonpano. (osa 44, kuvat 1A & 1B) pesästä (kuva 27) tai suljetusta venttiilipesästä (osa 45 tai 46).
7. Poista 2 kantakoloruuvia (osa 24, kuva 1D) ja erota runko (osa 23) venttiilihatusta (osa 9).

**UDELLEEN KOKOAMINEN:****Menettely pesäkokonaisuuksien kanssa**

1. Käytä kierteisiin teflonteippiä. Asenna uusi putkitulppa (osa 53, kuvat 4, 5, 6 & 6A) ja kiristä vääntömomentilla 14-16 Nm [10-12 ft-lbs]. Asenna putkitulppa (osa 54, 55) ja kiristä vääntömomentilla 43-52 Nm [32-39 ft-lbs].
2. Asenna kuparitiiviste (osa 56) istukkaan (osa 57), pyöreät reunat istukasta pois päin.
3. Aseta istukka alempaan vastahalkaisijaan venttiin rungossa, tiiviste puoli alaspäin. Huomaa: varmista, että istukka on tiukasti paikallaan eikä vinossa.
4. Rasvaa o-rengas varoventtiilikokoonpanossa ja aseta venttiilirungossa olevaan onteloon.
5. Kiristä varoventtiilikokoonpano (osa 58) vääntömomentilla 43-53 Nm [32-39 Ft-lbs].

**Ylemmän käsiventtiilikokonaisuuden kokoaminen**

1. Asettele levy (osa 11, kuva 1D) ja laakeri (osa 12) hattuun.
2. Aseta o-rengas (osa 10) hattu-uraan.
3. Aseta o-rengas (osa 15) ja varatiivisterengas (osa 14) akseliin

- (osa 13). O-rengas on lähimpänä akselin kierteitettyä päätä.
- Aseta tappi (osa 17) reiän läpi kiekkoon (osa 16). Aseta akseli (osa 13) kiekkoon sen kiinteältä puolelta. Kohdista akselin läpimenoireikä kiekon läpimenoireikään ja paina tai vasaroi tappia kunnes se on tasassa kiekon ulkoreunan kanssa
  - Voitele akselin o-rengas ja tukirengas rasvalla. Aseta akseli ja kiekko -kokoontuon venttiilihattuun (osa 9).
  - Aseta jouset (osa 22) jokaiseen kolmeen reikään paitsi siihen, joka on rungton tankin puoleisella sivulla (osa 23).
  - Kaikki mallit lukuun ottamatta malleja VM33M & VM43M: Kokoa jokainen tiiviste (osa 18) 2 varatiivisteellä (osa 19) ja o-renkaalla (osa 20). O-rengas asetetaan tukiprikkojen väliin.
  - Ainoastaan mallit VM33M & VM43M: Kokoa jokainen tiiviste (osa 84) 1 tukirenkaalla (osa 85) ja o-renkaalla (osa 86). O-rengas asetetaan tukirenkaan alapuolelle.
  - Voitele o-renkaat ja tukirenkaat. Aseta tiivistekokoontuonot käsin runkoon (osa 23).
  - Kiristä runko hattuun 2 ruuvilla (osa 24) 5/32" kuusiokoloavaimella, käsitiukkuuteen.
  - Aseta 4 o-rengasta (osa 25) runkoon.
  - Kiinnitä ylempi venttiilikokonaisuus pesään tai suljettuun venttiilipesään käyttämällä 4 kuusiokoloruuvia (osa 7, kuvat 1A & 1B). Kiristä vääntömomentilla 38-46 Nm [28-1 036,32 cm-lbs].
  - Asenna jousi (osa 6, kuva 1D) venttiilihatun (osa 9) reikään. Asenna pallo (osa 5) jouseen.
  - Kaikki mallit lukuun ottamatta malleja VM33M & VM43M: Aseta kiekko (osa 4) akseliin terävä reuna ylöspäin ja lepäämään pallon päälle. Aseta kahva (osa 3) akseliin.
  - Ainoastaan mallit VM33M & VM43M: Aseta kahvan suljin (osa 66), vipu (osa 67) ja nappi (osa 68) akseliin yhtenä kokonaisuutena.
  - Aseta tiivisterengas (osa 2) akseliin. Käytä Loctite 222 -ainetta ruuvien (osa 1) kierteisiin ja kiristä tiukasti.

#### Ainoastaan suljettujen venttiilipesien kokoaminen

- Istuta pallo (osa 35, kuvat 2 & 3) istukkaan (osa 39) paineella (195 psi 10 tonnin puskimella tai 380 psi 5 tonnin puskimella). Suorita kaksi asennusta neliteiseen pesään ja yksi kolmiteiseen pesään. Aseta nämä osat sivuun.
- Aseta o-rengas (osa 36) ja tiiviste (osa 37) jokaiseen istukkaan (osa 39) ja voitele rasvalla. Aseta nämä osat sivuun.
- Sijoita tiiviste (osa 32) ja o-rengas (osa 33) jokaiseen tulppaan (osa 31). Aseta nämä osat sivuun.
- Voitele venttiilipesän reikä (osa 43) öljyllä.
- Ainoastaan kolmiteiset pesät: Sijoita merkitsemättömät istukkakokonaisuudet (osat 36, 37 & 39) jompaankumpaan päähän siten, että pallo (osa 35) osoittaa ylöspäin. Käytä erikoistyökälyä AT100479. Älä asenna palloa (osa 35) tai joustaa (osa 34) tähän päähän. Katso kuva 2.
- Ainoastaan neliteiset pesät: Sijoita ensimmäinen istukkakokonaisuus (osat 36, 37 & 39) jompaankumpaan päähän siten, että pallo (osa 35) osoittaa ylöspäin. Käytä erikoistyökälyä AT100479. Katso kuva 3.
- Ainoastaan neliteiset pesät: Pyöritä jousi (osa 34, kuva 4) rasvassa ja aseta tulppaan (osa 31).
- Pujota tulppakokonaisuus (osat 31-33 ja osa 34, mikäli käytössä) sen päädyn reiän suuhun mihin istukka asennettiin. Kiristä vääntömomentilla 115-129 Nm [85-95 ft-lbs].

- Käännä venttiilipesä (osa 43, kuvat 2 & 3) siten, että reiän vastakkainen puoli on ylöspäin. Voitele reikä öljyllä.
- Kokoa kiekkomäntä (osa 42) o-renkaalla (osa 41) ja 2 varatiivisterenkaalla (osa 40). Sijoita kiekkomäntäkokonaisuus (osat 40-42) reikään. Käytä erityistyökälyä AT100479-1.
- Sijoita ensimmäinen istukkakokonaisuus (osat 36, 37 & 39) reikään siten, että pallo (osa 35) osoittaa ylöspäin. Käytä erikoistyökälyä AT100479.
- Pyöritä jousi (osa 34) rasvassa ja aseta tulppaan (osa 31).
- Pujota tulppakokonaisuus (osat 31-33) jousineen (osa 34) reiän suuhun. Kiristä vääntömomentilla 115-129 Nm [85-95 ft-lbs].
- Aseta o-renkaat (osa 26, kuva 1B) venttiilipesään (osa 27).

#### Vapauta venttiilisäädin

Venttiilikokonaisuuteen kuuluu käyttäjän säädettävä varoventtiili. Säädä paine seuraavasti:

Mallit VM33, VM33M, VM43 ja VM43M ainoastaan

- Asenna 0-1,035 bar:in [0-15,000 psi] mittaruuvi liitäntäaukkoon "A" (katso kuva 10).
  - Ainoastaan mallit VM43 & VM43M: Aseta 3/8" putkitulppa liitäntäaukkoon "B" ja kiristä vääntömomentilla 33 Nm [25 ft-lbs].
  - Löysää vapautusventtiilin lukkomutteri pystyäkseen säätämään säätöruuvia.
  - Käännä tarkistusventtiilin kahva neutraaliin ("3") asentoon. Katso kuva 11 mallien VM33 ja VM43 venttiilien asentoon. Katso kuva 12 mallien VM33M ja VM43M venttiilien asentoon.
  - Käynnistä pumppu öljyn lämmittämiseksi.
  - Käännä tarkistusventtiilin kahva syöttö-asentoon ("1"). Anna paineen muodostua.
  - Paineen nostaminen: Käännä HITAASTI varoventtiilin säätöruuvia myötäpäivään kunnes paine on noussut halutulle tasolle.
- HUOMAA: Venttiilipesän sisäinen tarkistusventtiili ehkäisee paineen laskun, kun säätöruuvia käännetään vastapäivään. Laskeaksesi painetta, seuraa ohjeita 8a:sta 8e:hen.
- Paineen laskeminen:
    - Varmista, että pumppu on käynnissä.
    - Käännä tarkistusventtiilin kahva neutraaliin ("3") asentoon vapauttaaksesi "A"-liitäntäaukon paine.
    - Käännä varoventtiilin säätöruuvia yksi kierros vastapäivään.
    - Käännä tarkistusventtiilin kahva syöttö-asentoon ("1").
    - Käännä HITAASTI varoventtiilin säätöruuvia myötäpäivään kunnes paine on noussut halutulle tasolle.
  - Kun haluttu paineen taso on saavutettu, lukitse säätöruuvi lukkomutterilla. ÄLÄ kiristä liian tiukalle.
  - Ennen kuin sammutat pumpun, käännä tarkistusventtiilin kahva palautusasentoon ("2") vapauttaaksesi "A"-liitäntäaukon paine. Sen jälkeen, käännä kahva neutraaliin ("3") asentoon. Tarkista, että mittalaite osoittaa nolla (0) bar:ia.
  - Sammuta pumppu.

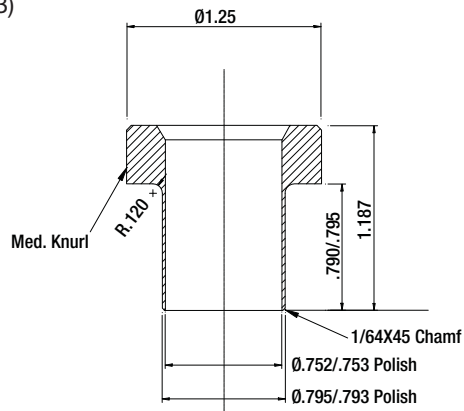
#### Ainoastaan mallit VM33L & VM43L:

- Asenna 0-1,035 bar:in [0-15,000 psi] mittaruuvi liitäntäaukkoon "A" (katso kuva 10).

## Erikoistyökalut

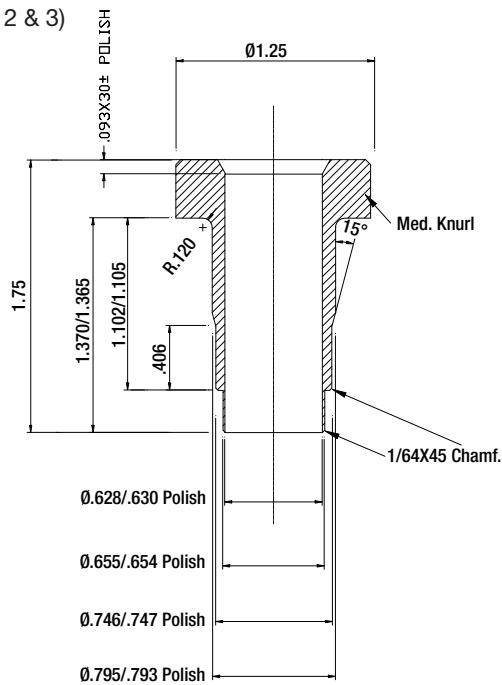
### AT100479

Käytä istukoiden, osa 39, sijoittamisessa reikiin. (katso kuvat 2 & 3)

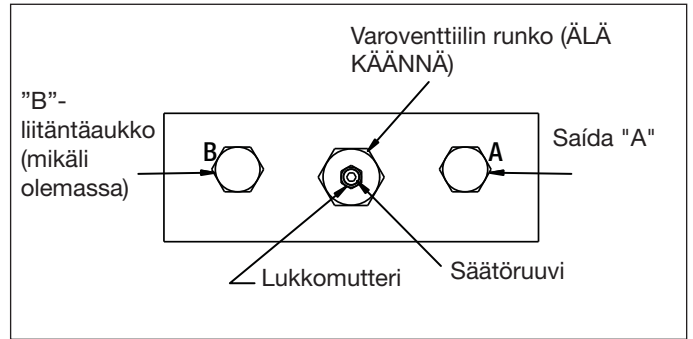


### AT100479-1

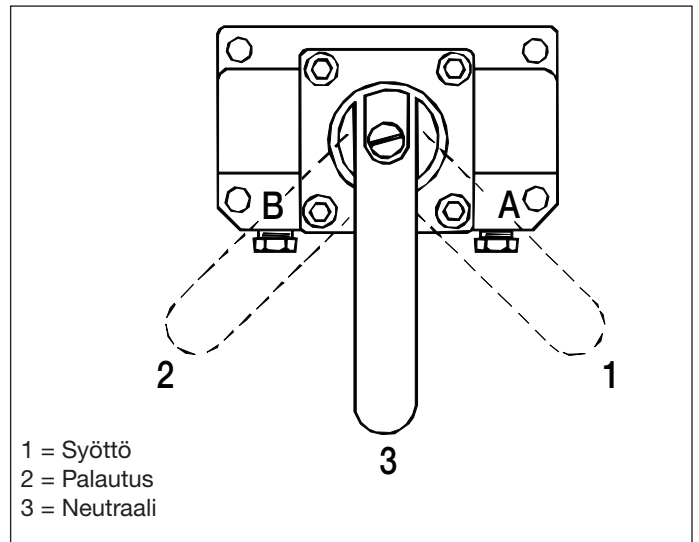
Käytä kiekkomäntäkonaisuuden, osat 40-42, asentamiseen reikiin. (katso kuvat 2 & 3)



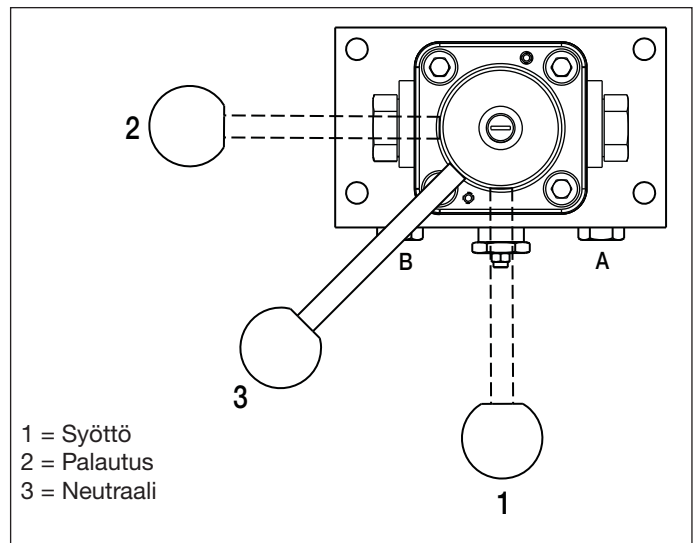
Kuva 9, Erikoistyökalut



Kuva 10



Kuva 11, Venttiilin kahvan asennot, VM33, VM33L, VM43, VM43L



Kuva 12, Venttiilin kahvan asennot, VM33M, VM43M

2. Ainoastaan malli VM43L: Asenna 3/8" putkitulppa liitäntäaukkoon "B" ja kiristä vääntömomentilla 33 Nm [25 ft-lbs].
3. Löysää vapautusventtiilin lukkomutteri pystyäkseen säätämään säätöruuvia.
4. Käännä tarkistusventtiilin kahva neutraaliin ("3") asentoon. Katso kuva 11 nähdäkseen venttiilin asennot.
5. Käynnistä pumppu öljyn lämmittämiseksi.
6. Käännä tarkistusventtiilin kahva syöttö-asentoon ("1"). Anna paineen muodostua.
7. Paineen nostaminen: Pumpun ollessa käynnissä käännä HITAASTI varoventtiilin säätöruuvia myötäpäivään kunnes "A"-liitäntäaukon paine on noussut halutulle tasolle.  
HUOMAA: Automaattisesti ohjattu suljetun venttiilipesän tarkistusventtiili ehkäisee paineen laskun, kun säätöruuvia käännetään vastapäivään. Laskeaksesi painetta, seuraa ohjeita 8a:sta 8e:hen.
8. Paineen laskeminen:
  - a. Varmista, että pumppu on käynnissä.
  - b. Käännä tarkistusventtiilin kahva hetkeksi palautusasentoon ("2"). Sen jälkeen, käännä kahva neutraaliin ("3") asentoon. Tämä aktivoi automaattisesti ohjatun tarkistusventtiilin ja vapauttaa paineen "A"-liitäntäaukossa.
  - c. Käännä varoventtiilin säätöruuvia yksi kierros vastapäivään.
  - d. Käännä tarkistusventtiilin kahva syöttö-asentoon ("1").
  - e. Käännä HITAASTI varoventtiilin säätöruuvia myötäpäivään kunnes "A"-liitäntäaukon paine on noussut halutulle tasolle.
9. Kun haluttu paineen taso on saavutettu, lukitse säätöruuvi lukkomutterilla. ÄLÄ kiristä liian tiukalle.
10. Ennen kuin sammutat pumpun, käännä tarkistusventtiilin kahva palautusasentoon ("2") vapauttaaksesi "A"-liitäntäaukon paine. Sen jälkeen, käännä kahva neutraaliin ("3") asentoon. Tarkista, että mittalaite osoittaa nolla (0) bar:ia.
11. Sammuta pumppu.

**L2613 Rev. H 08/18****FEILSØKING OG REPARASJON AV VM33, VM33M, VM33L, VM43, VM43M, VM43L MANUELLE VENTILER**

Ved diagnostisering av ventiler med funksjonsfeil, kan visse symptomer være felles - ikke bare for ventiler, men ofte for hydraulisk utstyr generelt. Før du reparerer ventilen, monter en annen VM-ventil på pumpen og kontroller at problemet ikke er selve pumpen.

**FEILSØKING:**

**FORSIKTIG:** Det bør følges standard sikkerhetsprosedyrer under montering, for å minimere mulighetene for skader.

1. Mangel på trykk kan være et resultat av skade på koplingstetningen på pumpen, eller av feil på komponenter i avlastningsventilen (deler 6, 7 - fig. 7), en skadet kule eller sete (del 1, 2, fig. 8), eller skadede eller nedslitte forseglinger og skiver (deler 16, 18, 84, fig. 1D). Disse problemene er vanligvis tegn på kontaminert hydraulikkolje. Systemet bør tappes av og fylles opp igjen med ny ENERPAC hydraulikkolje.
  2. Trykklekkasjer som vedvarer og øker proporsjonalt med økte trykkområder, er vanligvis et resultat av lekkasje på pakninger eller gjengeflater som NTPF-koplinger eller pluggen.
  3. En kulesetelekkasje er ofte uregelmessig og avbrutt og forsakes av forurensning som setter seg på kanten av pakningen. Over tid, med slitasje, må disse pakningene skiftes ut.
  4. Lekkasje som observeres på utvendige flater rundt akselen (del 13, fig. 1D) indikerer at o-ringen (del 15) og reserveringen (del 14) må skiftes ut.
  5. Lekkasje som observeres på utvendige flater rundt avlastningsventilens kropp (del 1, fig. 7) indikerer at o-ringen (del 8) må skiftes ut.
- (del 14) for skade. Skift ut ved behov.
9. Ta av o-ringen (del 10) og inspiser for skader som hakk eller kutt. Skift ut ved behov.
  10. Ta av lageret (del 12) og lagerplaten (del 11) og inspiser for skade. Skift ut ved behov.
  11. Fjern pakningsenheten (deler 18-20 og 84-86) fra boringene i kroppen.
  12. Ta av o-ringene (del 20 eller 86) og reserveskivene (del 19 eller 85) og inspiser for skade. Skift ut ved behov.
  13. Ta av fjærene (del 22) og inspiser for skader som brudd eller permanent deformering. Skift ut ved behov.
  14. Demontering av manifolden gjøres som følger:
  15. Løsne låsemutteren (del 9, fig. 7) og skru ut innstillingsskruen (del 2).
  16. Bruk en 10 mm pipenøkkel, løsne og fjern avlastningsventilen (del 58, fig. 4, 5, 6 & 6A) fra kroppen.
  17. Ta ut setet (del 57) fra kroppen.
  18. Inspiser setet for skade som hakk eller fordypninger på den skarpe enden av den indre diameteren. Skift ut ved behov.
  19. Inspiser o-ringen (del 8, fig. 7) for skade, og skift ut ved behov.
  20. Inspiser kulen (del 7) og føringen (del 6). Skift ut ved behov.
  21. Ta ut rørpluggene (deler 53, 54, 55, fig. 4, 5, 6 & 6A) og rengjør kroppen. Inspiser kroppen for skader.

**DEMONTERING:**

1. Ta ut de 4 hodeskruene (del 76, fig. 1C) og fjern halvparten fra pumpen.
2. Ta ut returslangen (del 75) og pakningen (del 70).
3. Ta skruen (del 1, fig. 1D) og skiven (del 2) av akselen (del 13).
4. Alle modeller bortsett fra VM33M & 43M: Fjern hendelen (del 3), skiven (del 4), knotten (del 5) og fjæren (del 6).
5. Modeller VM33M og VM43M: Fjern hendellokket (del 66), hendelen (del 67) og knotten (del 68) som én enhet. Ta ut kulen (del 5) og fjæren (del 6).
6. Ta ut de 4 hodeskruene (del 7) og fjern halvparten fra pumpen. (del 44, fig. 1A & 1B) fra manifolden (del 27) eller låseblokken (del 45 eller 46).
7. Skru ut de 2 hodeskruene (del 24, fig. 1D) og separer kroppen (del 23) fra ventillokket (del 9).
8. Ta ut akselen og inspiser o-ringen (del 15) og reserveringen

**MONTERING:****Prosedyre for manifoldmontering**

1. Legg teflontape på gjengene. Installer en ny rørplugg (del 53, fig. 4, 5, 6 & 6A) og trekk til med 14-16 Nm [10-12 ft-lbs]. Installer rørplugg (del 54, 55) og trekk til med 43-52 Nm [32-39 ft-lbs].
2. Installer kopperpakningen (del 56) på setet (del 57), med de runde kantene pekende vekk fra setet.
3. Plasser setet på ventilkroppens nedre motboring, med pakningssiden ned. Merk: Påse at setet sitter riktig på plass og ikke er krummet.
4. Smør o-ringen på avlastningsventilen med fett og sett den inn i hulrommet i ventilkroppen.
5. Trekk til avlastningsventilen (del 58) med 43-53 Nm [32-39 ft-lbs].

**Prosedyre for montering av øvre manuelle ventil**

1. Plasser platen (del 11, fig. 1D) og lageret (del 12) i lokket.
2. Plasser o-ringen (del 10) i sporet i lokket.
3. Plasser o-ringene (del 15) og reserveringen (del 14) på akselen (del 13). O-ringen plasseres nærmest den gjengede enden av akselen.
4. Plasser låsepinnen (del 17) inn gjennom hullet i skiven (del

- 16). Sett akselen (del 13) inn i skiven fra skivens solide side. Juster hullet i akselen inn med hullet i skiven og press eller bank låsepinnen til den er jevnt med skivens ytre diameter.
- Smør o-ringene og reserveringen på akselen med fett. Sett akselen og skivemontasjen inn i ventillokket (del 9).
  - Plasser fjærene (del 22) i hvert av de 3 hullene bortsett fra hullet på tanksiden av kroppen (del 23).
  - Alle modeller bortsett fra VM33M & VM43M: Monter hver pakning (del 18) med 2 reserveskiver (del 19) og 1 o-ring (del 20). O-ringene plasseres mellom reserveskivene.
  - Kun modeller VM33M og VM43M: Monter hver pakning (del 84) med 1 reserveskive (del 85) og 1 o-ring (del 86). O-ringene plasseres under reserveskiven.
  - Smør o-ringene og reserveskivene. Sett pakningsenhetene inn i kroppen (del 23) for hånd.
  - Stram kroppen til på lokket for hånd med 2 skruer (del 24) med en 4 mm (5/32") sekskantnøkkel.
  - Plasser 4 o-ringer (del 25) på kroppen.
  - Monter den øvre ventilmontasjen på manifolden eller låseblokken med 4 hodeskruer (del 7, fig. 1A & 1B). Stram til med 38-46 Nm [28-34 ft-lbs].
  - Sett inn fjæren (del 6, fig. 1D) i hullet i ventillokket (del 9). Sett kulen (del 5) på fjæren.
  - Alle modeller bortsett fra VM33M & VM43M: Plasser skiven (del 4) med den skarpe kanten vendt oppover på akselen og hvilende mot kulen. Sett hendelen (del 3) på akselen.
  - Kun modeller VM33M og VM43M: Plasser hendellokket (del 66), hendelen (del 67) og knotten (del 68) på akselen som én enhet.
  - Sett skiven (del 2) på akselen. Legg Loctite 222 på skruegjengene (del 1) og stram til for hånd.

#### Prosedyre kun for låseventilblokker

- Sett en ny kule (del 35, fig. 2 & 3) på setet (del 39) med en presse (13 bar (195 psi) med 10-tonns press eller 26 bar (380 psi) med 5-tonns press). Lag to montasjer for en 4-veis blokk eller kun én for en 3-veis blokk. Legg delene til side.
- Plasser o-ringene (del 36) og skiven (del 37) på hvert sete (del 39) og smør med fett. Legg delene til side.
- Plasser pakningen (del 32) og o-ringene (del 33) på hver plugg (del 31). Legg delene til side.
- Smør boringen i ventilblokken (del 43) med olje.
- Kun på 3-veis blokker: Plasser upresset setemontasje (deler 36, 37 & 39 - uten kule) inn i en ende av boringen. Bruk spesialverktøy AT100479. Ikke installer kulen (del 35) eller fjæren (del 34) i denne enden. Se fig. 2.
- Kun på 4-veis blokker: Plasser den første seteenheden (deler 36, 37 & 39) inn i én av endene på boringen, med kulen (del 35) vendt opp. Bruk spesialverktøy AT100479. Se fig. 3.
- Kun på 4-veis blokker: Dypp en fjær (del 34, fig. 4) i fett og plasser den i pluggen (del 31).
- Skru pluggen (deler 31-33 og del 34 hvis den brukes) inn i boreåpningen i samme ende som der setet ble installert. Stram til med 115-129 Nm [85-95 ft-lbs].
- Snu ventilblokken (del 43, fig. 2 & 3) slik at motsatt ende av boringen vender opp. Smør boringen med olje.
- Monter stemplet (del 42) med o-ring (del 41) og 2 reserveskiver (del 40). Plasser stempelenheten (deler 40-42) inn i boringen. Bruk spesialverktøy AT100479-1.
- Plasser den andre seteenheden (deler 36, 37 & 39) inn i

- boringen med kulen (del 35) vendt opp. Bruk spesialverktøy AT100479.
- Dypp fjæren (del 34) i fett og plasser den i pluggen (del 31).
  - Skru pluggenheten (deler 31-33) med fjæren (del 34) inn i boreåpningen. Stram til med 115-129 Nm [85-95 ft-lbs].
  - Plasser o-ringene (del 26, fig. 1B) på manifolden (del 27).

#### Justering av avlastningsventilen

Ventilen er utstyrt med en brukerjustert avlastningsventil. Trykket justeres som følger:

#### Kun VM33, VM33M, VM43 og VM43M

- Monter en 0-1.035 bar [0-15.000 psi] trykkmåler på port "A" (se fig. 10).
- Kun VM43 og VM43M: Installer en 10 mm rørplugg i port "B" og trekk til med 33 Nm [25 ft-lbs].
- Løsne avlastningsventilens låsemutter for å kunne bevege innstillingsskruen.
- Drei kontrollventilhendelen til posisjonen for hold ("3"). Se fig. 11 for ventilposisjoner for VM33 og VM43. Se fig. 12 for ventilposisjoner for VM33M og VM43M.
- Start pumpen og la oljen varmes opp.
- Drei kontrollventilhendelen til posisjonen for fremkjøring ("1"). La trykket bygges opp.
- Slik økes trykket: Drei ventilens innstillingsskrue SAKTE med klokken til trykket øker til ønsket nivå.  
Merk: En intern tilbakeslagsventil i manifolden vil hindre at trykket faller når innstillingsskruen dreies mot klokken. For å senke trykkinnstillingen, følger du prosedyren i trinn 8a t.o.m.8e.
- Slik reduseres trykket:
  - Påse at pumpen er i gang.
  - Før pumpen slås av, drei kontrollventilhendelen til posisjonen for retur ("3") for å avlaste trykket på port "A".
  - Drei avlastningsventilens innstillingsskrue mot klokken 1 omdreining.
  - Drei kontrollventilhendelen til posisjonen for fremkjøring ("1").
  - Drei ventilens innstillingsskrue SAKTE med klokken til trykket øker til ønsket nivå.
- Når riktig trykkinnstilling er nådd, låses innstillingsskruen med låsemutteren. IKKE trekk til for mye.
- Før pumpen slås av, drei kontrollventilhendelen et øyeblikk til posisjonen for retur ("2") for å avlaste trykket på port "A". Drei kontrollhendelen deretter til posisjonen for nøytral/hold ("3"). Sjekk at måleren viser 0 bar.
- Stans pumpen.

#### Kun VM33L og VM43L:

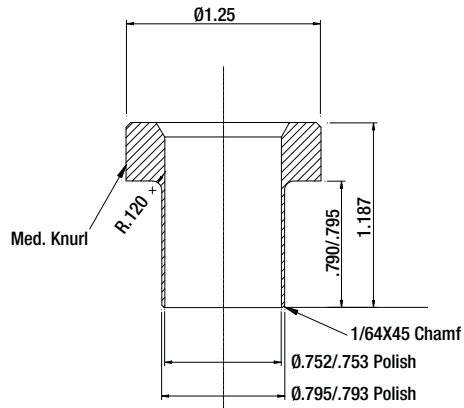
- Monter en 0-1.035 bar [0-15.000 psi] trykkmåler på port "A" (se fig. 10).
- Kun VM43L: Installer en 10 mm rørplugg i port "B" og trekk til med 33 Nm [25 ft-lbs].
- Løsne avlastningsventilens låsemutter for å kunne bevege innstillingsskruen.
- Drei kontrollventilhendelen til posisjonen for hold ("3"). Se fig. 11 for ventilposisjoner.
- Start pumpen og la oljen varmes opp.



## Spesialverktøy

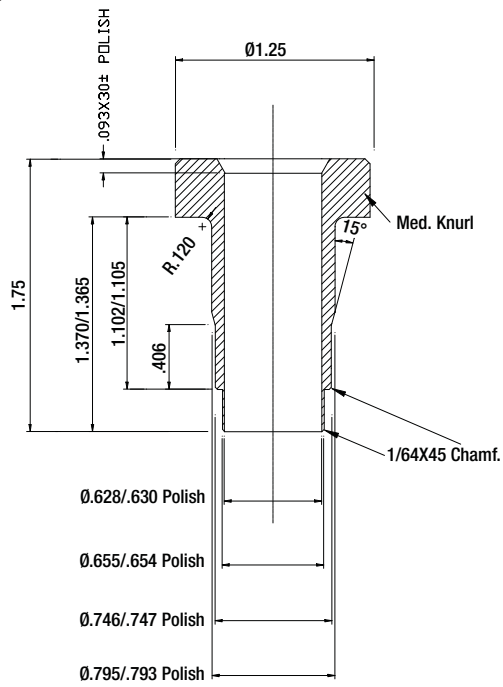
### AT100479

Brukes til å installere setene (del 39) i boringen. (se fig. 2 & 3)

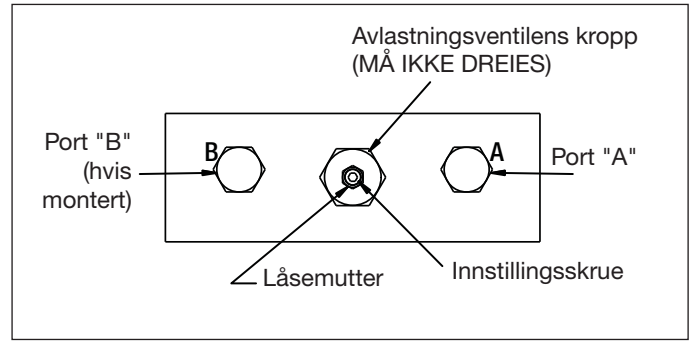


### AT100479-1

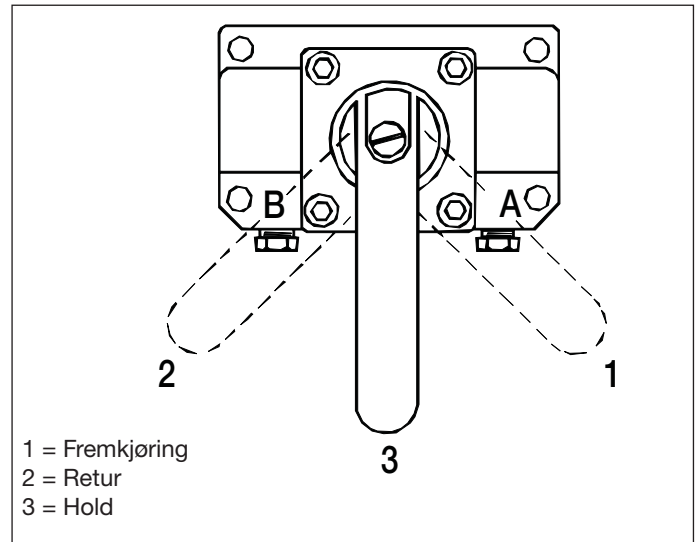
Brukes til å installere stempelenheten (deler 40-42) i boringen. (se fig. 2 & 3)



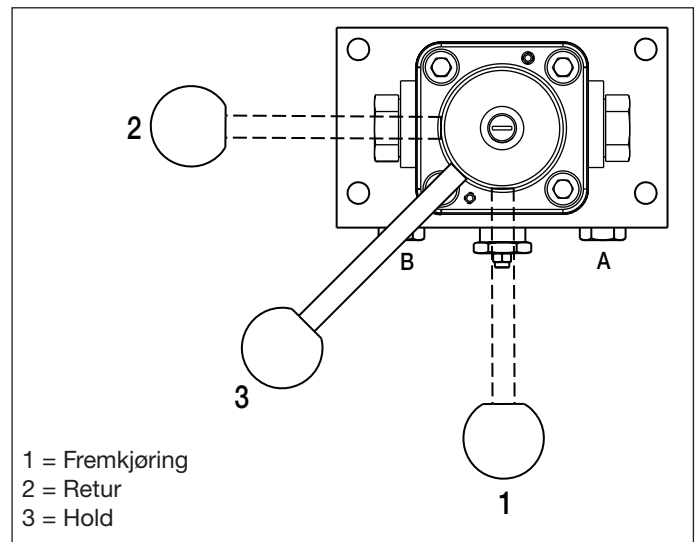
**Kuva 9, Erikoistyökalut**



**Fig. 10**



**Fig. 11, Ventilhendelposisjoner, VM33, VM33L, VM43, VM43L**



**Fig. 12, Ventilhendelens posisjoner, VM33M, VM43M**

6. Drei kontrollventilhendelen til posisjonen for fremkjøring ("1"). La trykket bygges opp.
7. Slik økes trykket: Mens pumpen er i gang, dreier du ventilens innstillingsskrue SAKTE med klokken til trykket på port "A" øker til ønsket nivå.  
Merk: En pilotoperert tilbakeslagsventil i låseblokken vil hindre at trykket faller når innstillingsskruen dreies mot klokken. For å senke trykkinnstillingen, følger du prosedyren i trinn 8a t.o.m. 8e.
8. Slik reduseres trykket:
  - a. Påse at pumpen er i gang.
  - b. Drei kontrollventilhendelen et øyeblikk til posisjonen for retur ("2"). Drei kontrollhendelen deretter til posisjonen for nøytral/hold ("3"). Dette vil aktivere den pilotopererte tilbakeslagsventilen og avlaste trykket på port "A".
  - c. Drei avlastningsventilens innstillingsskrue mot klokken 1 omdreining.
  - d. Drei kontrollventilhendelen til posisjonen for fremkjøring ("1").
  - e. Drei ventilens innstillingsskrue SAKTE med klokken til trykket på port "A" øker til ønsket nivå.
9. Når riktig trykkinnstilling er nådd, låses innstillingsskruen med låsemutteren. IKKE trekk til for mye.
10. Før pumpen slås av, drei kontrollventilhendelen et øyeblikk til posisjonen for retur ("2") for å avlaste trykket på port "A". Drei kontrollhendelen deretter til posisjonen for nøytral/hold ("3"). Sjekk at måleren viser 0 bar (0 psi).
11. Stans pumpen.

L2613 Rev. H 08/18

**FELSÖKNING OCH REPARATION AV MANUELL VENTIL PÅ VM33, VM33M, VM33L, VM43, VM43M, VM43L**

När funktionsodugliga ventiler diagnostiseras kan vissa symtom vara vanliga inte bara för ventiler, utan ofta för hydraulutrustning i allmänhet. Innan ventilen repareras, monterar du en annan VM-ventil på pumpen och verifierar att det inte är pumpen som är problemet.

**FELSÖKNING:**

**WARNING:** Säkerhetsprocedurer av standardtyp ska efterföljas under monteringen för att minimera alla möjligheter till personskada.

1. Oförmåga att erhålla tryck kan bli resultatet av skadade anslutningstätningar på pumpen, eller läckande avlastningsventilskomponenter (nr. 6, 7, figur 7), en skadad kula eller skadat säte i huset (nr. 1, 2, figur 8), eller tecken på slitna säkerhetstätningar och skiva (nr. 16, 18, 84, figur 1 D). Dessa problem är vanligtvis symtom på förorenad hydraulolja. Systemet bör tömmas och fyllas på nytt med färsk ENERPAC hydraulolja.
2. Tryckläckor som återkommer och ökar proportionerligt med ökade tryckområden är vanligtvis resultat av läckande tätningar eller gängade ytor t.ex. NPTF-förbindningar eller pluggar.
3. Läckande kulsäten är ofta oregelbundna och ojämna och orsakas av föroreningar som fastnat på tätningskanten. Med tiden, när förslitning uppstår, måste dessa säten bytas ut.
4. Läckage som observeras på ytterytorna runt axeln (nr. 13, figur 1 D) är tecken på att o-ringen (nr. 15) och stödringen (nr. 14) måste bytas ut.
5. Läckage som observeras på ytterytorna runt avlastningsventilens hus (nr. 1, figur 7) är tecken på att o-ringen (nr. 8) måste bytas ut.
8. Ta bort axelenheten och undersök o-ringen (nr. 15) och stödringen (nr. 14) och leta efter skada. Byt vid behov.
9. Ta bort o-ringen (nr. 10) och undersök den och leta efter skada t.ex. repor eller hack. Byt vid behov.
10. Ta bort bärlagret (nr. 12) och lagerskölden (nr. 11) och leta efter skada. Byt vid behov.
11. Ta bort säkerhetstätningensenheter (nr. 18-20 eller 84-86) från loppen inne i huset.
12. Ta bort o-ringarna (nr. 20 eller 86) och stödbrickorna (nr. 19 eller 85) och leta efter skada. Byt vid behov.
13. Ta bort fjädrarna (nr. 22) och leta efter skada t.ex. brott eller permanent nedböjning. Byt vid behov.
14. Så här tas insugningsgrenröret isär:
15. Lossa låsmuttern (nr. 9, figur 7) och skruva loss inställningsskruven (nr. 2).
16. Använd en 7/8-tums hylsnyckel och lossa och ta bort säkerhetsventilsenheten (nr 58, figur 4, 5, 6 och 6 A) från huset.
17. Ta bort sätet (nr. 57) från huset.
18. Undersök sätet och leta efter skador t.ex. repor eller fördjupningar på innerdiameters skarpa kant. Byt ut vid behov.
19. Undersök o-ringen (nr. 8, figur 7) och leta efter skada och byt den vid behov.
20. Undersök kulan (nr. 7) och guiden (nr. 6). Byt ut vid behov.
21. Ta bort rörpluggarna (nr. 53, 54, 55, figur 4, 5, 6, och 6 A) och rengör huset. Undersök huset och leta efter skador.

**ISÄRTAGNING:**

1. Ta bort de 4 insexskruvarna (nr. 76, figur 1 C) och ta bort ventilen från pumpen.
2. Ta bort returslangen (nr. 75) och packningen (nr. 70).
3. Ta bort skruven (nr. 1, figur 1 D) och brickan (nr. 2) från axeln (nr. 13).
4. Alla modeller utom VM33M och 43M: Ta bort handtaget (nr. 3), skivan (nr. 4) kulan (nr. 5) och fjädern (nr. 6).
5. Endast modellerna VM33M och VM43M: Ta bort handtagslocket (nr. 66) spaken (nr. 67) och vredet (nr. 68) som en enhet. Ta bort kulan (nr. 5) och fjädern (nr. 6).
6. Ta bort de 4 insexskruvarna (nr. 7) och ta bort övre ventilenheten (nr. 44, figurerna 1A och 1B) från insugningsgrenröret (nr. 27) eller låsventilblocket (nr. 45 eller 46).
7. Ta bort de 2 insexskruvarna (nr. 24, figur 1 D) och separera huset (nr. 23) från ventilhatten (nr. 9).

**IHOPSÄTTNING:**

Procedur för insugningsgrenrörsenheten

1. Lägg på teflontejp på gängorna. Montera ny rörplugg (nr. 53, figur 4, 5, 6 och 6A) och momentdra till 14-16 Nm (10-12 ft-lbs). Montera rörpluggen (nr. 54, 55) och momentdra till 43-52 Nm (32-39 ft-lbs).
2. Montera kopparpackningen (nr. 56) på sätet (nr. 57) med de runda kanterna bort från sätet.
3. Placera sätet på nedre försänkningen i ventilhuset, med packningssidan neråt. OBS! Se till att sätet sitter fast ordentligt och inte är snett.
4. Smörj o-ringen på säkerhetsventilsenheten och sätt in den i ventilhusets urtag.
5. Momentdra säkerhetsventilsenheten (nr. 58) till 43-53 Nm [32-39 ft-lbs].

**Procedur för övre manuella ventilenheten**

1. Placera lagerskölden (nr. 11, figur 1 D) och bärlagret (nr. 12) i locket.
2. Placera o-ringen (nr. 10) i lockspåret.

3. Placera o-ringen (nr. 15) och stödringen (nr. 14) på axeln (nr. 13). O-ringen placeras närmast axelns gängade ände.
4. Placera in valstappen (nr. 17) genom hålet i skivan (nr. 16). Sätt in axeln (nr. 13) i skivan från dess fasta sida. Rikta in det genomgående hålet i axeln med det genomgående hålet i skivan och tryck eller hamra in valstappen tills den är i jäms med skivans ytterdiameter.
5. Smörj o-ringen och stödringen på axeln med fett. Sätt in axeln och skivenheten i ventilhatten (nr. 9).
6. Placera fjädrarna (nr. 22) i vart och ett av hålen utom hålet på husets tanksida (nr. 23)
7. Alla modeller utom VM33M och VM43M: Montera säkerhetsstämningen (nr. 18) med 2 stödbrickor (nr. 19) och 1 o-ring (nr. 20). O-ringen placeras mellan stödbrickorna.
8. Endast modellerna VM33M och VM43M: Montera varje säkerhetsstämning (nr. 84) med 1 stödbricka (nr. 85) och 1 o-ring (nr. 86). O-ringen placeras under stödbrickan.
9. Smörj o-ringarna och stödbrickorna. Sätt in säkerhetsstämningens enheterna i huset (nr. 23) för hand.
10. Dra åt huset på locket med 2 skruvar (nr. 24) med en 5/32-tums sexkantsnyckel för hand.
11. Placera 4 o-ringar (nr. 25) på huset.
12. Montera övre ventilensheten på insugningsgrenröret eller låsventilblocket med 4 insexskruvar (nr. 7, figur 1 A och 1 B). Momentdra till 38-46 Nm (28-34 ft-lbs).
13. Sätt in fjädern (nr. 6, figur 1 D) i hålet i ventillocket (nr. 9). Montera kulan (nr. 5) på fjädern.
14. Alla modeller utom VM33M och VM43M: Placera skivan (nr. 4) med den skarpslipade sidan uppåt på axeln, så den vilar på kulan. Placera handtaget (nr. 3) på axeln.
15. Endast modellerna VM33M och VM43M: Placera handtagslocket (nr. 66) spaken (nr. 67) och vredet (nr. 68) på axeln som en enhet.
16. Sätt in brickan (nr. 2) på axeln. Applicera Loctite 222 på gängorna på skruven (nr. 1) och dra åt för hand.
10. Montera kolven (nr. 42) med o-ringen (nr. 41) och 2 stödbrickor (nr. 40). Placera in kolvenheten (nr. 40-42) i loppet. Använd specialverktyg AT100479-1.
11. Placera in den andra sätesenheten (nr. 36, 37 och 39) i loppet med kulan (nr. 35) vänd uppåt. Använd specialverktyg AT100479.
12. Doppa fjädern (nr. 34) i fett och placera den i pluggen (nr 31).
13. Gånga in pluggenheten (nr. 31-33) med fjäder (nr. 34) i loppets öppning. Momentdra till 115-129 Nm (85-95 ft-lbs).
14. Placera o-ringarna (nr. 26, figur 1 B) på insugningsgrenröret (nr. 27).

### Justering av avlastningsventilen

Ventilen är utrustad med en användarjusterbar säkerhetsventil. Justera tryck enligt följande:

### Endast VM33, VM33M, VM43 och VM43M

1. Montera en 0-1 035 bar-[0-15 000 psi]-mätare i A-porten (se figur 10).
2. Endast VM43 och VM43M: Placera en 3/8-tums rörplugg i B-porten och momentdra till 33 Nm [25 ft-lbs].
3. Lossa säkerhetsventilens låsmutter för att möjliggöra justering av justeringskruven.
4. Vrid reglerventilens handtag till neutralläget (3). Se figur 11 för VM33- och VM43-ventillägen. Se figur 12 för VM33M- och VM43M-ventillägen.
5. Starta pumpen och låt oljan värmas upp.
6. Vrid reglerventilens handtag till framföringsläget (1). Låt trycket skapas.
7. Så här ökar du trycket: Vrid säkerhetsventilens justerskriv LÅNGSAMT medurs tills trycket ökar till önskad inställning. OBS! En intern backventil i insugningsgrenröret förhindrar trycket från att falla när justerskriven vrids moturs. Följ instruktionerna i steg 8 a till och med 8 e för att sänka tryckinställningen.
8. Så här minskar du trycket:
  - a. Se till att pumpen är i gång.
  - b. Vrid reglerventilens handtag till neutralläget (3) för att lätta på trycket på A-porten.
  - c. Vrid säkerhetsventilens justerskriv moturs ett varv.
  - d. Vrid reglerventilens handtag till framföringsläget (1).
  - e. Vrid säkerhetsventilens justerskriv LÅNGSAMT medurs tills trycket ökar till önskad inställning.
9. När önskat tryck uppnåtts, låser du justerskriven med låsmuttern. Dra INTE åt för hårt.
10. Vrid reglerventilens handtag tillfälligt till tillbakadragningsläget (2) för att lätta på trycket på A-porten, innan du stänger av pumpen. Vrid sedan handtaget till neutralläget (3). Kontrollera att mätaren visar noll (0) psi.
11. Stoppa pumpen.

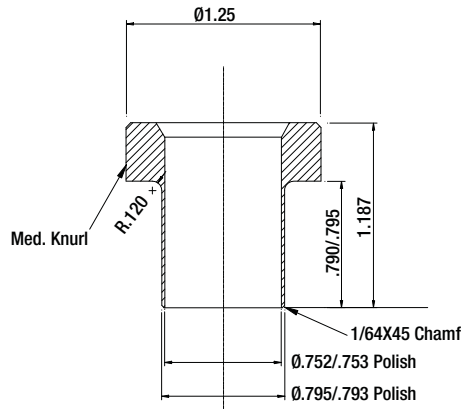
### Endast VM33L och VM43L:

1. Montera en 0-1 035 bar-[0-15 000 psi]-mätare i A-porten (se figur 10).
2. Endast VM43L: Montera en 3/8-tums rörplugg i B-porten och momentdra till 33 Nm [25 ft-lbs].
3. Lossa säkerhetsventilens låsmutter för att möjliggöra

## Särskilda verktyg

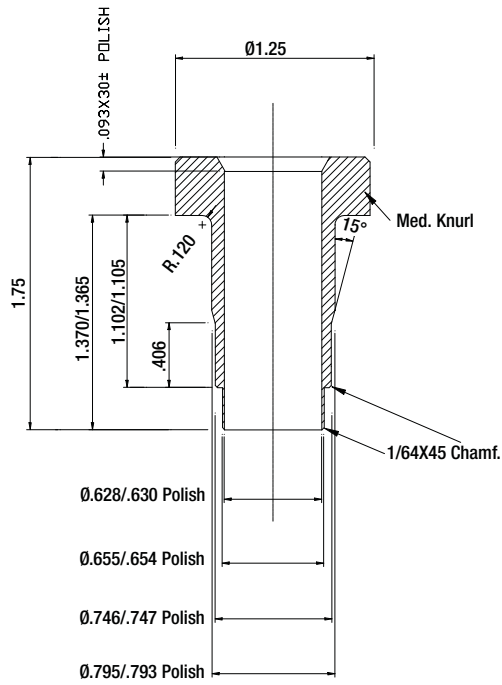
### AT100479

Används för montering av säten, nr. 39, i loppet. (se figur 2 och 3)



### AT100479-1

Brukes til å installere stempelenheten (deler 40-42) i boringen. (se fig. 2 & 3)



Figur 9, Specialverktøy

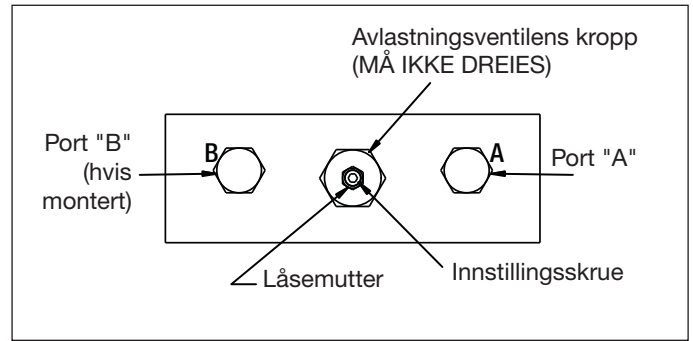
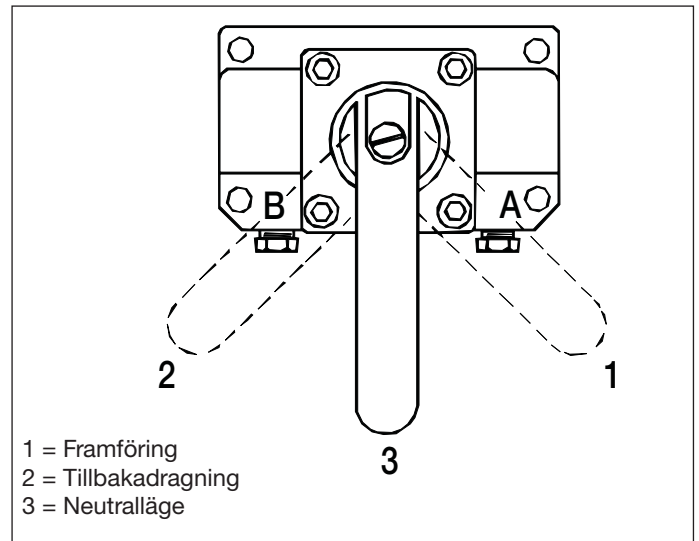
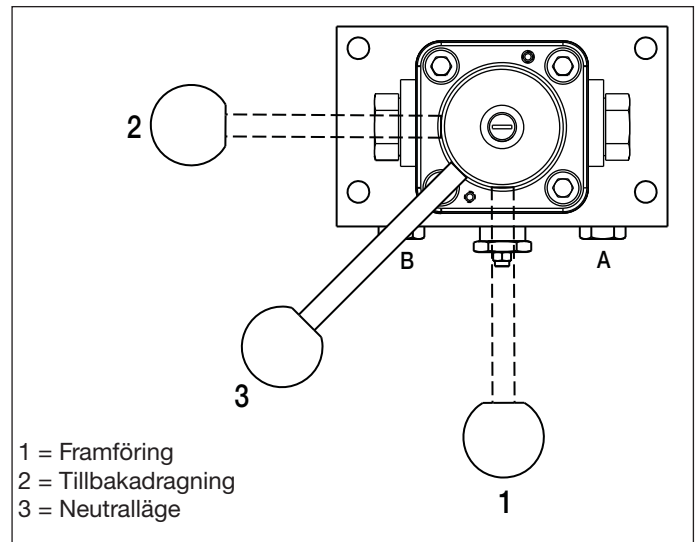


Fig. 10



Figur 11, ventilhandtagslägen, VM33, VM33L, VM43, VM43



Figur 12, ventilhandtagslägen, VM33M, VM33M

justering av justeringsskruven.

4. Vrid reglerventilens handtag till neutralläget (3). Se figur 11 för ventillägen.
5. Starta pumpen och låt oljan värmas upp.
6. Vrid reglerventilens handtag till framföringsläget (1). Låt trycket skapas.
7. Så här ökar du trycket: Med pumpen igång vrider du säkerhetsventilens justerskruv LÅNGSAMT medurs tills A-portens tryck ökar till önskad inställning.  
OBS! En pilotdriven backventil i låsventilsblocket förhindrar trycket från att falla när justerskruven vrids moturs. Följ instruktionerna i steg 8 a till och med 8 e för att sänka tryckinställningen.
8. Så här minskar du trycket:
  - a. Se till att pumpen är i gång.
  - b. Vrid reglerventilens handtag till tillbakadragningsläget (2) tillfälligt. Vrid sedan handtaget till neutralläget (3). Detta aktiverar den pilotdrivna backventilen och lättar på trycket vid A-porten.
  - c. Vrid säkerhetsventilens justerskruv moturs ett varv.
  - d. Vrid säkerhetsventilens handtag till framföringsläget (1).
  - e. Vrid säkerhetsventilens justerskruv LÅNGSAMT medurs tills A-portens tryck ökar till önskad inställning.
9. När önskat tryck uppnåtts, låser du justerskruven med låsmuttern. Dra INTE åt för hårt.
10. Vrid reglerventilens handtag tillfälligt till tillbakadragningsläget (2) för att lätta på trycket på A-porten, innan du stänger av pumpen. Vrid sedan handtaget till neutralläget (3). Kontrollera att mätaren visar noll (0) psi.
11. Stoppa pumpen.

L2613 Rev. H 08/18

#### VM33、VM33M、VM33L、VM43、VM43M、VM43L 手动阀故障排除和维修

当诊断出现故障的阀时，通常某些故障现象可能为阀和液压设备所共有。因此，在维修阀之前，需要先将另一个 VM 阀安装到泵上，以便验证问题是否出在泵上。

#### 故障排除：



小心：组装过程中需要遵守标准安全程序，以便将受伤的可能性降到最低。

1. 如果无法获得任何压力，则可能是泵上的接头密封损坏、安全阀组件（图 7，第 6、7 项）出现故障、阀体中的止回球和底座（图 8，第 1、2 项）损坏，或是剪力密封组件和转盘（图 1D，第 16、18、84 项）磨损或损坏。这些问题通常是液压油受污染的故障现象。应排空系统中的油，然后重新加满新鲜的 ENERPAC 液压油。
2. 如果压力下降稳定，并且泄漏量随压力范围的提高而成比例增加，通常表明垫圈或螺纹连接处有泄漏（例如 NTPF 配件或塞子）。
3. 球座泄漏通常不稳定并且是间歇性的，原因通常是密封边上聚集了污染物。当随着时间的推移底座发生磨损时，就需要进行更换。
4. 如果在轴（图 1D，第 13 项）的外表面上观察到泄漏，则表明 O 型圈（第 15 项）和支撑环（第 14 项）需要更换。
5. 如果在安全阀体（图 7，第 1 项）的外表面上观察到泄漏，则表明 O 型圈（第 8 项）需要更换。

#### 拆卸：

1. 卸掉 4 个内六角螺钉（图 1C，第 76 项），然后从泵上卸下阀。
2. 卸下回油管（第 75 项）和垫圈（第 70 项）。
3. 从轴（第 13 项）上拆下螺钉（图 1D，第 1 项）和垫圈（第 2 项）。
4. 除 VM33M 和 43M 之外的所有型号：拆下阀柄（第 3 项），---盘（第 4 项）、球（第 5 项）和弹簧（第 6 项）。
5. 仅型号 VM33M 和 VM43M：将阀柄帽（第 66 项）、杆（第 67 项）和旋钮（第 68 项）作为一套组件拆下。拆下球（第 5 项）和弹簧（第 6 项）。
6. 卸下 4 个内六角螺钉（第 7 项），然后从阀块（第 27 项）或锁紧给油阀组（第 45 项或第 46 项）上卸掉阀的上部组件（图 1A 和 1B，第 44 项）。
7. 卸下 2 个内六角螺钉（图 1D，第 24 项），然后将阀体（第 23 项）与阀盖（第 9 项）分开。
8. 卸下轴组件，检查 O 型圈（第 15 项）和支撑环（第 14 项）是否损坏。必要时进行更换。
9. 卸下 O 型圈（第 10 项），检查是否存在损坏（如缺口或切口）。必要时进行更换。
10. 卸下轴承（第 12 项）和支承板（第 11 项），检查是否损坏。必要时进行更换。

11. 从阀体的孔中卸下剪力密封组件（第 18-20 或 84-86 项）。
12. 卸下 O 型圈（第 20 或 86 项）和支撑垫圈（第 19 或 85 项），检查是否损坏。必要时进行更换。
13. 卸下弹簧（第 22 项），检查是否存在破裂或永久变形等损坏。必要时进行更换。
14. 按下列步骤拆卸阀块：
15. 拧松防松螺母（图 7，第 9 项），卸下固定螺钉。（第 2 项）。
16. 使用 7/8" 套筒扳手，从阀体上拧松并卸下安全阀组件（图 4、5、6 和 6A，第 58 项）。
17. 从阀体上卸下底座（第 57 项）。
18. 检查底座是否损坏，例如，在内径的尖锐边缘上是否存在缺口或凹痕。必要时进行更换。
19. 检查 O 型圈（图 7，第 8 项）是否损坏，必要时进行更换。
20. 检查止回球（第 7 项）和导槽（第 6 项）。必要时进行更换。
21. 卸下管塞（图 4、5、6 和 6A，第 53、54、55 项）并清理阀体。检查阀体是否损坏。

#### 重新组装：

#### 阀块组装程序

1. 将特氟纶胶带缠到螺纹上。安装新的管塞（图 4、5、6 和 6A，第 53 项），然后施加 14-16 Nm (10-12 ft-lbs) 的扭矩。安装管塞（第 54、55 项），然后施加 43-52 Nm (32-39 ft-lbs) 的扭矩。
2. 将铜垫圈（第 56 项）安装到底座（第 57 项）上，圆边应远离底座。
3. 将底座放到阀体的底部沉孔上，使垫圈面向下。注：确保底座牢固地安放在阀体底部且没有弯曲。
4. 在安全阀组件的 O 型圈上涂抹油脂，然后将它插入阀体的空腔中。
5. 为安全阀组件施加 43-53 Nm (32-39 Ft-lbs) 的扭矩。

#### 手动阀组件组装程序

1. 将支撑板（图 1D，第 11 项）和轴承（第 12 项）定位到阀盖中。
2. 将 O 型圈（第 10 项）放到阀盖凹槽中。
3. 将 O 型圈（第 15 项）和支撑环（第 14 项）放到轴（第 13 项）上。O 型圈放置在最靠近轴的螺纹端的位置。
4. 将销钉（第 17 项）放到转盘（第 16 项）的通孔中。将轴（第 13 项）从转盘的实心侧插入盘中。将轴的通孔与转盘的通孔对齐，然后按下或锤打销钉，直到它与转盘的外径齐平。
5. 用油脂润滑轴上的 O 型圈和支撑环。将轴和转盘组件插入阀盖（第 9 项）。

6. 在除阀体（第 23 项）油箱侧的那个孔之外的 3 个孔中，每孔都放入弹簧（第 22 项）。
7. 除 VM33M 和 VM43M 之外的所有型号：用 2 个支撑垫圈（第 19 项）和 1 个 O 型圈（第 20 项）装配成各剪力密封（第 18 项）。O 型圈放置在两个支撑垫圈之间。
8. 仅型号 VM33M 和 VM43M：用 1 个支撑垫圈（第 85 项）和 1 个 O 型圈（第 86 项）装配成各剪力密封（第 84 项）。O 型圈放置在支撑垫圈下面。
9. 润滑 O 型圈和支撑垫圈。用手将剪力密封组件插入阀体（第 23 项）中。
10. 使用 5/32" 六角扳手，通过 2 个螺钉（第 24 项）将阀体拧紧到盖子上（手紧）。
11. 将 4 个 O 型圈（第 25 项）放到阀体上。
12. 使用 4 个内六角螺钉（图 1A 和 1B，第 7 项）将阀的上部组件安装到阀块或锁紧给油阀组上。施加 38-46 Nm (28-34 ft-lbs) 的扭矩。
13. 将弹簧（图 1D，第 6 项）插进阀盖（第 9 项）上的孔内。将球（第 5 项）安装在弹簧上。
14. 除 VM33M 和 VM43M 之外的所有型号：放置转盘（第 4 项）时让尖锐边缘朝上指向轴，并靠在止回球上。将手柄（第 3 项）放到轴上。
15. 仅型号 VM33M 和 VM43M：将阀柄帽（第 66 项）、杆（第 67 项）和旋钮（第 68 项）作为一套组件装到轴上。
16. 将垫圈（第 2 项）插入轴上。将 Loctite 222 涂抹到螺钉（第 1 项）的螺纹上，然后用手拧紧。

#### 仅限锁紧给油阀组使用的程序

1. 通过压力将一个新球（图 2 和 3，第 35 项）安装到底座（第 39 项）上（若使用 10 吨撞锤为 13.65 bar [195 psi]，若使用 5 吨撞锤为 26.60 bar [380 psi]）。对于 4 通给油阀组，组装两套组件，对于 3 通给油阀组，只组装一套组件。将这些部件放在一边。
2. 在各底座（第 39 项）上放置 O 型圈（第 36 项）和垫圈（第 37 项），并用油脂润滑。将这些部件放在一边。
3. 在各塞子（第 31 项）上放置垫圈（第 32 项）和 O 型圈（第 33 项）。将这些部件放在一边。
4. 用油润滑给油阀组（第 43 项）上的孔。
5. 仅对于 3 通给油阀组：将非铸造底座组件（第 36、37 和 39 项 - 不带球）装在孔的一端。使用专用工具 AT100479。不要在这端安装球（第 35 项）或弹簧（第 34 项）。参阅图 2。
6. 仅对于 4 通给油阀组：将第一个底座组件（第 36、37 和 39 项）安装在孔的任一端，球（第 35 项）朝上。使用专用工具 AT100479。参阅图 3。
7. 仅对于 4 通给油阀组：在弹簧（图 4，第 34 项）上蘸上油脂，然后放到塞子（第 31 项）中。
8. 将塞子组件（第 31-33 项，如果使用了，还包括第 34 项）穿进与底座安装相同端的孔口内。施加 115-129 Nm (85-95 ft-lbs) 的扭矩。
9. 翻转给油阀组（图 2 和 3，第 43 项），使孔的另一端朝上。使用油润滑孔。
10. 在活塞（第 42 项）上装配 O 型圈（第 41 项）和 2 个支撑垫圈（第 40 项）。把活塞组件（第 40-42 项）装进孔内。使用专用工具 AT100479-1。
11. 把第二个底座组件（第 36、37 和 39 项）安装在孔内，球（第 35 项）朝上。使用专用工具 AT100479。
12. 在弹簧（第 34 项）上蘸上油脂，然后放到塞子（第 31 项）中。
13. 将装有弹簧（第 34 项）的塞子组件（第 31-33 项）穿进孔口内。施加 115-129 Nm (85-95 ft-lbs) 的扭矩。

14. 将 O 型圈（图 1B，第 26 项）放到阀块（第 27 项）上。

#### 安全阀调节

该阀组件装有一个用户调节安全阀。压力调整方法如下：

仅 VM33、VM33M、VM43 和 VM43M

1. 在接口“A”安装一个 0-1,035 bar (0-15,000 psi) 压力表（见图 10）。
2. 仅型号 VM43 和 VM43M：在接口“B”安装一个 3/8" 管塞，拧紧至 33 Nm (25 ft-lbs) 的扭矩。
3. 拧松安全阀防松螺母，以便调整固定螺钉。
4. 将控制阀柄旋转到中间（“3”）位置。关于 VM33 和 VM43 的阀位置，请参阅图 11。关于 VM33M 和 VM43M 的阀位置，请参阅图 12。
5. 启动泵让油升温。
6. 将控制阀柄旋转到前进（“1”）位置。等待压力升高。
7. 调高压力的方法：顺时针方向缓慢转动安全阀固定螺钉，直至压力增高到所需设置值。  
注：当逆时针转动固定螺钉时，阀块内的一个内部止回阀将阻止压力下降。如果要降低压力设置，请按第 8a 至 8e 步操作。
8. 调低压力的方法：
  - a. 确保泵正在运转。
  - b. 将控制阀柄旋转至中间（“3”）位置来释放接口“A”的压力。
  - c. 逆时针转动安全阀固定螺钉一圈。
  - d. 将控制阀柄旋转到前进（“1”）位置。
  - e. 顺时针方向缓慢转动安全阀固定螺钉，直至压力增高到所需设置值。
9. 达到所需压力设置值后，使用防松螺母锁定固定螺钉。请勿拧得过紧。
10. 停止泵之前，快速将控制阀柄旋转至后退（“2”）位置来释放接口“A”的压力。然后，将阀柄旋转到中间（“3”）位置。确认压力表指示零 (0) bar (0 psi)。
11. 停止泵。

仅 VM33L 和 VM43L

1. 在接口“A”安装一个 0-1,035 bar (0-15,000 psi) 压力表（见图 10）。
2. 仅 VM43L：在接口“B”安装一个 3/8" 管塞，拧紧至 33 Nm (25 ft-lbs) 的扭矩。
3. 拧松安全阀防松螺母，以便调整固定螺钉。
4. 将控制阀柄旋转到中间（“3”）位置。关于阀位置，请参阅图 11。
5. 启动泵让油升温。
6. 将控制阀柄旋转到前进（“1”）位置。让压力升高。
7. 调高压力的方法：在泵运转状态下，顺时针方向缓慢转动安全阀固定螺钉，直至接口“A”压力增高到所需设置值。  
注：当逆时针转动固定螺钉时，给油阀组内的一个先导式止回阀将阻止压力下降。如果要降低压力设置，请按第 8a 至 8e 步操作。
8. 调低压力的方法：
  - a. 确保泵正在运转。
  - b. 快速将控制阀柄旋转至后退（“2”）位置。然后，将阀柄旋转到中间（“3”）位置。这将激活先导式止回阀并释放接口“A”的压力。
  - c. 逆时针转动安全阀固定螺钉一周。
  - d. 将控制阀柄旋转到前进（“1”）位置。

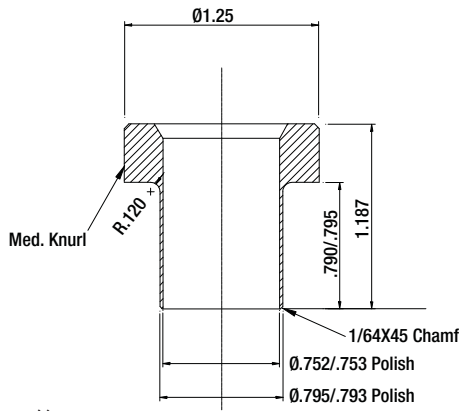


专用工具

**AT100479**

用于将底座（第 39 项）  
装进孔内。

（见图 2 和 3）



**AT100479-1**

用于将活塞组件（第  
40-42 项）装进孔内。

（见图 2 和 3）

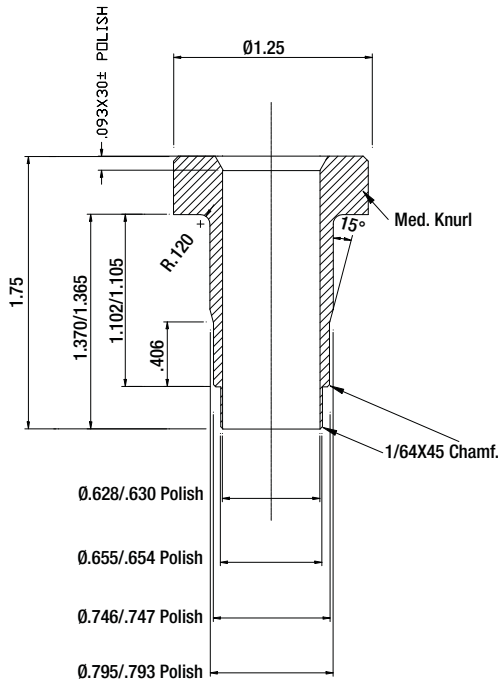


图 9, 专用工具

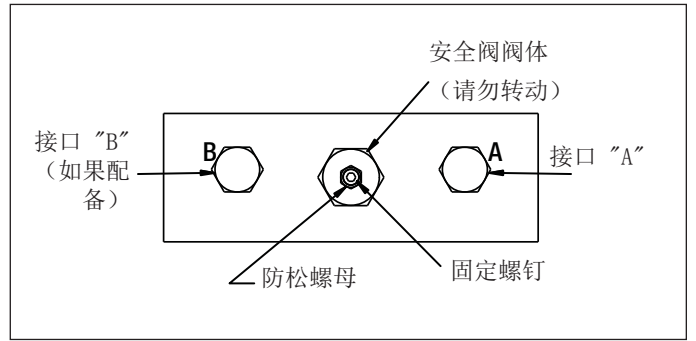


图 10

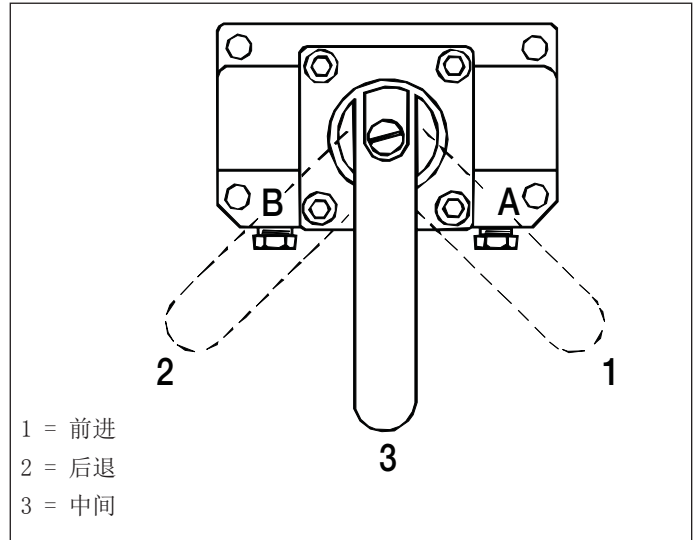


图 11, 阀柄位置, VM33、VM33L、VM43、VM43L

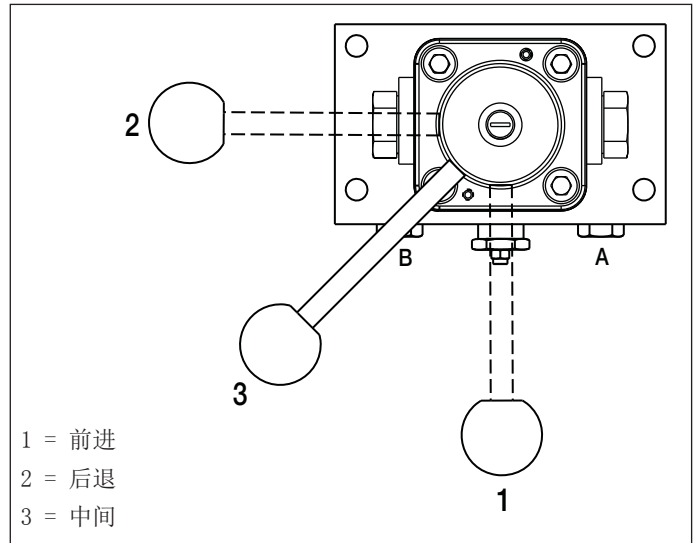


图 12, 阀柄位置, VM33M、VM43M


- e. 顺时针方向缓慢转动安全阀固定螺钉，直至接口 “A” 压力增高到所需设置值。
9. 达到所需压力设置值后，使用防松螺母锁定固定螺钉。请勿拧得过紧。
10. 停止泵之前，快速将控制阀柄旋转至后退（“2”）位置来释放接口 “A” 的压力。然后，将阀柄旋转到中间（“3”）位置。确认压力表指示零（0）bar（0 psi）。
11. 停止泵。

L2613 Rev. H 08/18

## VM33, VM33M, VM33L, VM43, VM43M, VM43L手動バルブのトラブルシューティングと修理

バルブの動作不良を診断する際、バルブのみならず油圧機器一般によく見られる症状があります。バルブを修理する前にVMバルブをポンプに取り付け、問題の原因がポンプではないことを確認してください。

## トラブルシューティング

 注意: 取り付け時、事故が起こる可能性を最小限にするための一般的な安全手順に従ってください。

1. 圧力が生じない場合、ポンプの接続箇所シールの損傷、逃し弁の部品 (品目6, 7 図7) の故障、本体内のボールやシート (品目1, 2 図8) の損傷、シャーシールおよびディスク (品目16, 18, 84 図1D) の損傷もしくは摩耗が原因である可能性があります。これらの不具合は、一般に作動油が汚れているときに発生します。システムから作動油を排出し、新しいエナパックの作動油を充填してください。
2. 圧力漏れが恒常的に生じ、圧力の上昇に比例して大きくなる場合は、一般に、ガスケットの漏れ、NTPF継手やプラグなどのネジ込み面の漏れが原因です。
3. ボールシートからの漏れは規則性がないことが多く、漏れたり漏れなかったりします。これはシール部端面に異物が挟まっていることが原因です。ボールシートは摩耗するため、時間が経つと交換する必要があります。
4. シャフト (品目13, 図1D) の外側表面に漏れが見られる場合は、Oリング (品目15) とバックアップリング (品目14) を交換する必要があります。
5. 逃し弁本体 (品目1 図7) 外側の表面に漏れが見られる場合は、Oリング (品目8) の交換が必要です。
8. シャフトアセンブリを取り外し、Oリング (品目15) とバックアップリング (品目14) が損傷していないか点検します。必要に応じて交換します。
9. Oリング (品目10) を取り外し、キズや刻み目などの損傷がないか点検します。必要に応じて交換します。
10. ベアリング (品目12) とベアリングプレート (品目11) を取り外し、損傷がないか点検します。必要に応じて交換します。
11. 本体のボアからシャーシールアセンブリ (品目18~20または84~86) を取り外します。
12. Oリング (品目20または86) とバックアップワッシャー (品目19または85) を取り外し、損傷がないか点検します。必要に応じて交換します。
13. バネ (品目22) を取り外し、折損や永久歪みがないか点検します。必要に応じて交換します。
14. マニホールドの分解手順は以下の通りです。
15. ロックナット (品目9 図7) を弛め、設定ネジ (品目2) を取り外します。
16. 22.25mm (7/8インチ) のソケットを使用し、逃し弁アセンブリ (品目58 図4, 5, 6, 6A) を弛めて本体から取り外します。
17. 本体からシート (品目57) を取り外します。
18. シートの内径側の鋭角部にキズや凹みがないか点検します。必要に応じて交換します。
19. Oリング (品目8, 図7) に損傷がないか点検し、必要に応じて交換します。
20. ボール (品目7) およびガイド (品目6) を点検します。必要に応じて交換します。
21. 本体からパイプ栓 (品目53, 54, 55 図4, 5, 6, 6A) を取り外し、本体の汚れを落とします。本体に損傷がないか点検します。

## 分解:

1. 4本のソケットヘッドキャップネジ (品目76 図1C) を取り外し、バルブをポンプから取り外します。
2. 戻りチューブ (品目75) およびガスケット (品目70) を取り外します。
3. シャフト (品目13 図1D) から、ネジ (品目1) とワッシャー (品目2) を取り外します。
4. VM33Mおよび43M以外のすべてのモデル: ハンドル (品目3)、ディスク (品目4)、ボール (品目5)、バネ (品目6) を取り外します。
5. VM33MとVM43Mモデルのみ: 組み立てられた状態のまま、ハンドルキャップ (品目66)、レバー (品目67)、ノブ (品目68) を取り外します。ボール (品目5) とバネ (品目6) を取り外します。
6. 4本のソケットヘッドキャップネジ (品目7 図1Aおよび1B) を取り外し、バルブアセンブリ上部 (品目44) をマニホールド (品目27) またはロックバルブブロック (品目45または46) から取り外します。
7. 2本のソケットヘッドキャップネジ (品目24 図1D) を取り外し、バルブキャップ (品目9) と本体 (品目23) を分離します。

## 再組み立て:

## マニホールドアセンブリの組み立て手順

1. ねじ部にテフロンテープを巻きます。新しいパイプ栓 (品目53 図4, 5, 6, 6A) を取り付け、[14-16 N m] (10-12 ft-lbs) のトルクで締め付けます。パイプ栓 (品目54, 55) を取り付け、[43-52 Nm] (32-39 ft-lbs) のトルクで締めます。
2. 銅製ガスケット (品目56) をシート (品目57) に取り付けます。丸みのある端部がシートの反対側になるようにしてください。
3. シートをバルブ本体底部の皿穴の上に載せます。ガスケット側が下になるようにします。注意: シートをしっかりとめ込み、ずれないようにします。
4. 逃し弁アセンブリのOリングにグリースを塗布し、バルブ本体の空洞部に挿入します。
5. 逃し弁アセンブリ (品目58) を [43-53 Nm] (32-39 ft-lbs) のトルクで締め付けます。

## 手動バルブアセンブリ上部の組み立て手順

1. プレート(品目11 図1D)とベアリング(品目12)をキャップの中に配置します。
2. Oリング(品目10)をキャップの溝に取り付けます。
3. Oリング(品目15)とバックアップリング(品目14)をシャフト(品目13)に取り付けます。Oリングは、シャフトのねじ加工されている側に最も近い位置に配置します。
4. ロールピン(品目17)をディスク(品目16)の貫通穴に通します。ディスクのフラット面側からシャフト(品目13)を挿入します。シャフトの貫通穴とディスクの貫通穴の位置を合わせ、ロールピンを押し込むかあるいはハンマーで叩いて、ロールピンの端面をディスク円周面に合わせます。
5. シャフトに取り付けたOリングとバックアップリングにグリースを塗布します。シャフトとディスクのアセンブリをバルブキャップ(品目9)に挿入します。
6. 本体(品目23)のタンク側の穴を除く3つの穴のそれぞれにバネ(品目22)を挿入します。
7. VM33MとVM43M以外のすべてのモデル: 各シャーシール(品目18)に2つのバックアップワッシャー(品目19)と1つのOリングを取り付けます。Oリングは2つのバックアップワッシャーの間に取り付けます。
8. VM33MとVM43Mモデルのみ: シャーシール(品目84)に1つのバックアップワッシャー(品目85)と1つのOリング(品目86)を取り付けます。Oリングはバックアップワッシャーの下に取り付けます。
9. Oリングとバックアップワッシャーにグリースを塗布します。シャーシールアセンブリを本体(品目23)に手で挿入します。
10. 本体をキャップに2個のネジ(品目24)で取り付けます。3.9688mm(5/32インチ)の六角レンチを用いて手の力で締めます。
11. 本体に4個のOリング(品目25)を取り付けます。
12. 4本のソケットヘッドキャップネジ(品目7 図1A、1B)を用いて、バルブアセンブリ上部をマニホールドまたはロッキングバルブブロックに取り付けます。28-34 ft-lbs[38-46 Nm]のトルクで締めます。
13. バルブキャップ(品目9 図1D)の穴にバネ(品目6)を挿入します。ボール(品目5)をバネの上に取り付けます。
14. VM33MとVM43M以外のすべてのモデル: ディスク(品目4)を、端部が鋭角になっている側を上向きにし、ボールに載せるようにして、シャフトに取り付けます。ハンドル(品目3)をシャフトに取り付けます。
15. VM33MとVM43Mモデルのみ: 組み立てられた状態のまま、ハンドルキャップ(品目66)、レバー(品目67)、ノブ(品目68)をシャフトに取り付けます。
16. ワッシャー(品目2)をシャフトに通します。Loctite 222をネジ(品目1)のネジ山に塗布し手で締めます。

## ロッキングバルブブロックのみの組み立て手順:

1. 所定の圧力(10トンラムで13.4 バール[1.34 Mpa、195 psi]もしくは5トンラムで26.2 バール[2.62 MPa、380 psi])で、ボール(品目35 図2、3)をシート(品目39)にはめ込みます。4方ブロックの場合は2つのアセンブリを、3方ブロックの場合は1つのアセンブリを作成します。これらの部品を脇によけて保管しておきます。
2. Oリング(品目36)とワッシャー(品目37)を各シートに取り付け、グリースを塗布します。これらの部品を脇によけて保管しておきます。

3. ガasket(品目32)とOリング(品目33)を各プラグ(品目31)に取り付けます。これらの部品を脇によけて保管しておきます。
4. バルブブロック(品目43)のボアをオイルで潤滑します。
5. 3方ブロックの場合のみ: ボールの押し付けを行っていないシートのアセンブリ(品目36、37、39 - ボールなし)をボアの片方の端に取り付けます。この作業には専用工具AT100479を使用してください。この側にはボール(品目35)またはバネ(品目34)は取り付けではありません。図2を参照してください。
6. 4方ブロックの場合のみ: 最初のシートアセンブリ(品目36、37、39)を、ボール(品目35)が上に来るようにしながら、ボアのいずれかの端に取り付けます。この作業には専用工具AT100479を使用してください。図3を参照してください。
7. 4方ブロックの場合のみ: バネ(品目34 図4)をグリースに浸けプラグ(品目31)に取り付けます。
8. プラグアセンブリ(品目31~33および、使われている場合は品目34)を、シートを取り付けたのと同じ側のボア開口部にねじ込みます。85-95 ft-lbs[115-129 Nm]のトルクで締めます。
9. バルブブロック(品目43 図2、3)の上下を逆さまにして、ボアの反対側の端を上に向けます。ボアをオイルで潤滑します。
10. ピストン(品目42)にOリング(品目41)と2つのバックアップワッシャー(品目40)を取り付けます。ピストンアセンブリ(品目40~42)をボアに取り付けます。この作業には専用工具AT100479-1を使用してください。
11. 2つ目のシートアセンブリ(品目36、37、39)を、ボール(品目35)が上に来るようにしながら、ボアに入れて取り付けます。この作業には専用工具AT100479を使用してください。
12. バネ(品目34)をグリースに浸けプラグ(品目31)に取り付けます。
13. プラグアセンブリ(品目31~33)とバネ(品目34)をボアの開口部にねじ入れます。[115-129 Nm](85-95 ft-lbs)のトルクで締めます。
14. Oリング(品目26 図1B)をマニホールド(品目27)に取り付けます。

## 逃し弁の調整

バルブアセンブリには使用者が設定できる逃し弁が付いています。圧力は以下に従って調節します:

## VM33、VM33M、VM43、VM43Mのみ

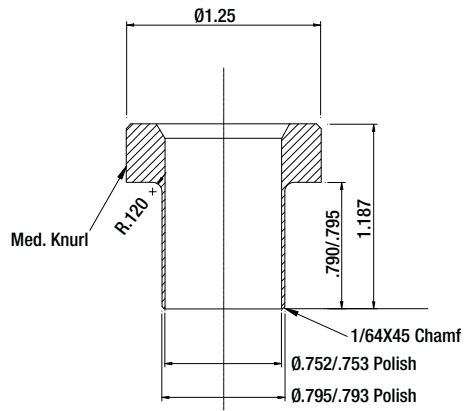
1. 「A」ポート(図10)に[0-1,035 バール](0-15,000 psi)の圧力計を取り付けます。
2. VM43とVM43Mモデルのみ: 「B」ポートに9.525(3/8インチ)パイプ栓を取り付け、[33 Nm](25 ft-lbs)のトルクで締め付けます。
3. 逃がし弁ロックナットを弛め、設定ネジを調節できる状態にします。
4. バルブハンドルを中立位置(「3」)まで回します。VM33およびVM43バルブのハンドル位置は図11を参照してください。VM33MおよびVM43Mバルブのハンドル位置は図12を参照してください。
5. ポンプを始動してオイルを温めます。
6. バルブハンドルを前進位置(「1」)まで回します。圧力が高まるのを待ちます。
7. 圧力を上げる場合: 目的の圧力に達するまで、逃し弁の設定ネジをゆっくりと時計方向に回します。  
注: マニホールド内の内部チェックバルブにより、設定ネジを反時計方向に回しても圧力は下がらないようになっています。

専用工具

**AT100479**

シート(品目39)のボアへの取り付けに使用します。

(図2, 3を参照)



**AT100479-1**

ピストンアセンブリ(品目40~42)のボアへの取り付けに使用します。

(図2, 3を参照)

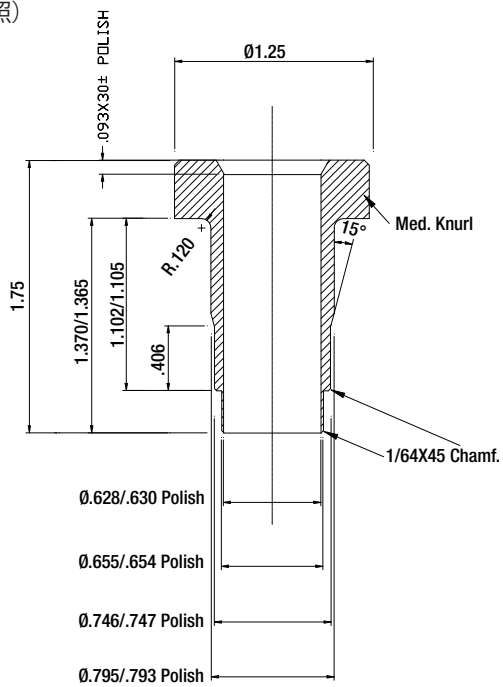


図9、専用工具

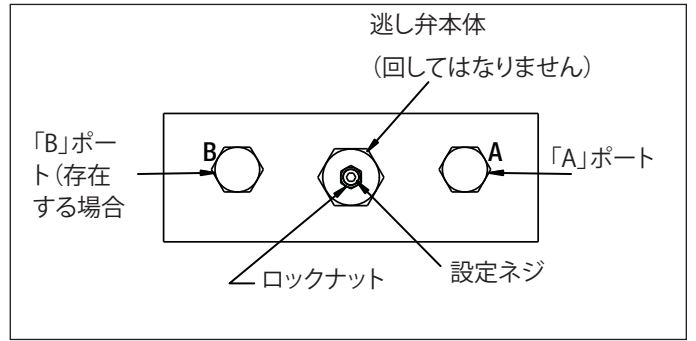


図10

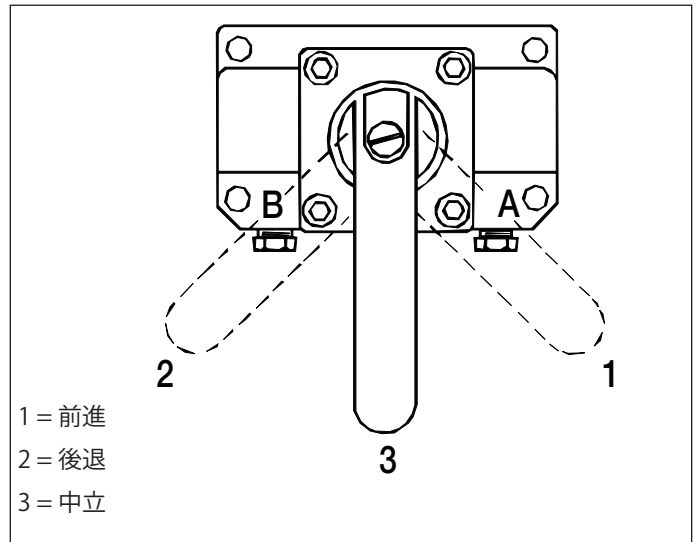


図11、バルブハンドル位置、VM33、VM33L、VM43、VM43L

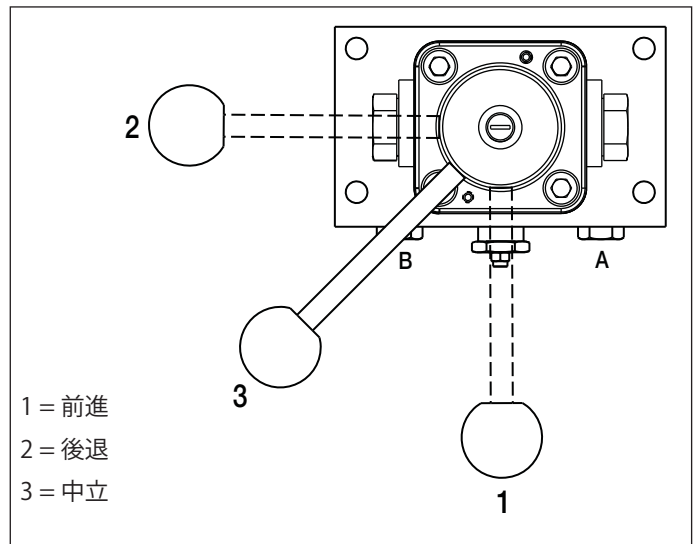


図12、バルブハンドル位置、VM33M、VM43M

圧力設定を下げるには、以下の8aから8eまでの手順に従います。

8. 圧力を下げる場合：
  - a. ポンプが運転されていることを確認します。
  - b. バルブハンドルを中立位置(「3」)まで回すことにより、「A」ポートの圧力を逃がします。
  - c. 逃がし弁の設定ネジを反時計方向に1回転させます。
  - d. バルブハンドルを前進位置(「1」)まで回します。
  - e. 目的の圧力に達するまで、逃がし弁の設定ネジをゆっくりと時計方向に回します。
9. 所要の圧力設定が得られたら、ロックナットで設定ネジを固定します。締めすぎないようにしてください。
10. ポンプを停止する前に、バルブハンドルを少しの間だけ後退位置(「2」)まで回すことにより、「A」ポートの圧力を逃がします。次にハンドルを中立位置(「3」)まで回します。圧力計がゼロ(0) psiを示していることを確認します。
11. ポンプを停止します。

#### VM33LとVM43Lモデルのみ：

1. 「A」ポート(図10)に[0-1,035 バール](0-15,000 psi) の圧力計を取り付けます。
2. VM43Lのみ：「B」ポートに9.525mm(3/8インチ)パイプ栓を取り付け、[33 Nm](25 ft-lbs)のトルクで締め付けます。
3. 逃し弁ロックナットを弛め、設定ネジを調節できる状態にします。
4. バルブハンドルを中立位置(「3」)まで回します。バルブの位置については図11を参照してください。
5. ポンプを始動してオイルを温めます。
6. バルブハンドルを前進位置(「1」)まで回します。圧力が高まるのを待ちます。
7. 圧力を上げる場合：ポンプを運転した状態で、「A」ポートが目的の圧力に達するまで、逃し弁の設定ネジをゆっくりと時計方向に回します。

注：ロッキングバルブブロック内のパイロット動作式のチェックバルブにより、設定ネジを反時計方向に回しても、圧力は下がりません。圧力設定を下げるには、以下の8aから8eまでの手順に従います。
8. 圧力を下げる場合：
  - a. ポンプが運転されていることを確認します。
  - b. バルブハンドルを少しの間だけ後退位置(「2」)まで回します。次にハンドルを中立位置(「3」)まで回します。これにより、パイロット動作のチェックバルブが動作し、「A」ポートの圧力が逃がされます。
  - c. 逃し弁の設定ネジを反時計方向に1回転させます。
  - d. バルブハンドルを前進位置(「1」)まで回します。
  - e. 「A」ポートが目的の圧力に達するまで、逃し弁の設定ネジをゆっくりと時計方向に回します。
9. 所要の圧力設定が得られたら、ロックナットで設定ネジを固定します。締めすぎないようにしてください。
10. ポンプを停止する前に、バルブハンドルを少しの間だけ後退位置(「2」)まで回すことにより、「A」ポートの圧力を逃がします。次にハンドルを中立位置(「3」)まで回します。圧力計がゼロ(0) psiを示していることを確認します。
11. ポンプを停止します。



**ENERPAC**   
POWERFUL SOLUTIONS. GLOBAL FORCE.  
<http://www.enerpac.com>