

Specifications

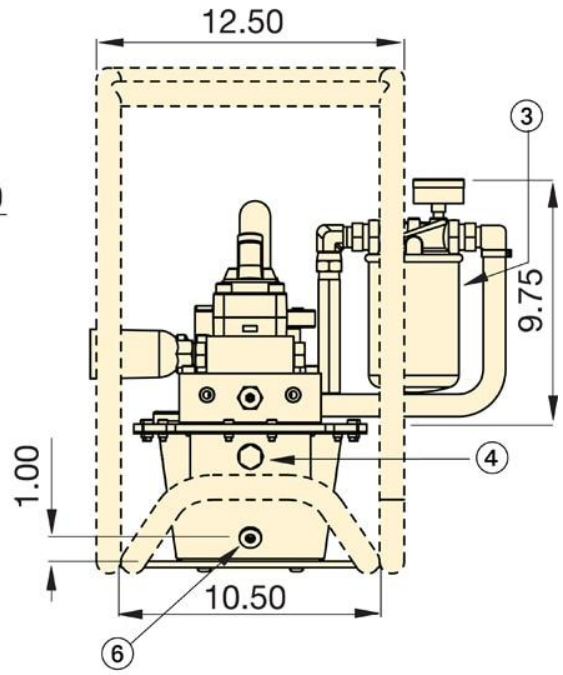
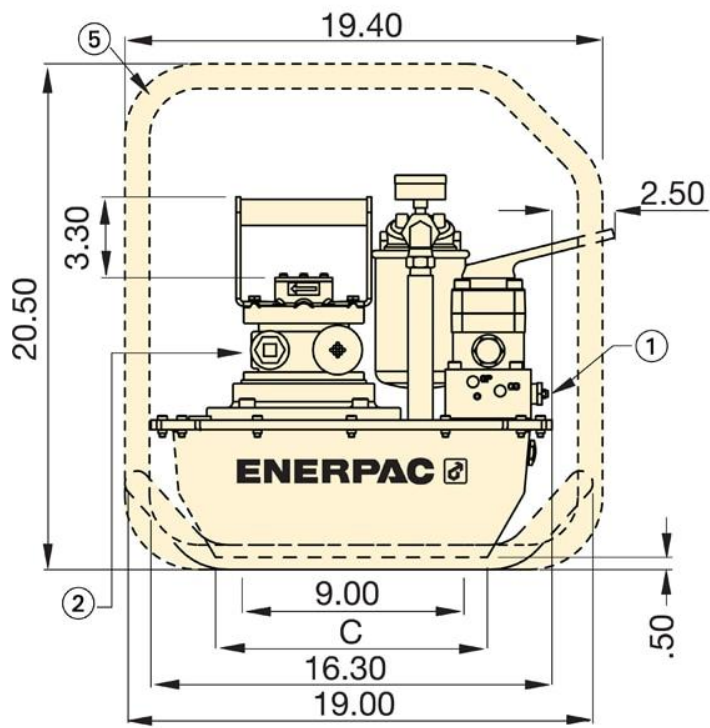
Units: Imperial Metric

Maximum Operating Pressure (psi)	10,000
Cylinder Compatability	Single-acting
Reservoir Capacity (in ³)	231
Usable Oil Capacity (gal)	1
Maximum Flow at Rated Pressure	80 in ³ /min
Output Flow Rate (in ³ /min) 100 psi	850
Output Flow Rate (in ³ /min) 700 psi	675
Output Flow Rate (in ³ /min) 5000 psi	110
Output Flow Rate (in ³ /min) 10000 psi	80
Valve Function	Advance / Retract
Valve Operation	Manual
Valve Type	3-way, 2-position
Valve Model	VM32
Power Source	Air
Air Pressure Range (psi)	60 - 100
Air Consumption (scfm)	20 - 100
Sound Level (dBa)	94 - 97
Weight (lbs)	65.5

Dimensions

Units: Imperial Metric

Dimension A (in)	11.6
Dimension B (in)	5.6
Dimension C (in)	11
Dimension D (in)	6
Dimension E (in)	15.4



1 and 2 gallon reservoirs