

Specifications

Units:

Imperial

Metric

Maximum Operating Pressure (psi)	10,000
Cylinder Compatability	Double-acting
Reservoir Capacity (in ³)	1,155
Usable Oil Capacity (gal)	5.2
Maximum Flow at Rated Pressure	80 in ³ /min
Output Flow Rate (in ³ /min) 100 psi	850
Output Flow Rate (in ³ /min) 700 psi	675
Output Flow Rate (in ³ /min) 5000 psi	110
Output Flow Rate (in ³ /min) 10000 psi	80
Valve Function	Advance / Hold / Retract
Valve Operation	Manual
Valve Type	4-way, 3-position
Valve Model	VM43
Power Source	Air
Air Pressure Range (psi)	60 - 100
Air Consumption (scfm)	20 - 100
Sound Level (dBa)	94 - 97
Weight (lbs)	113.9

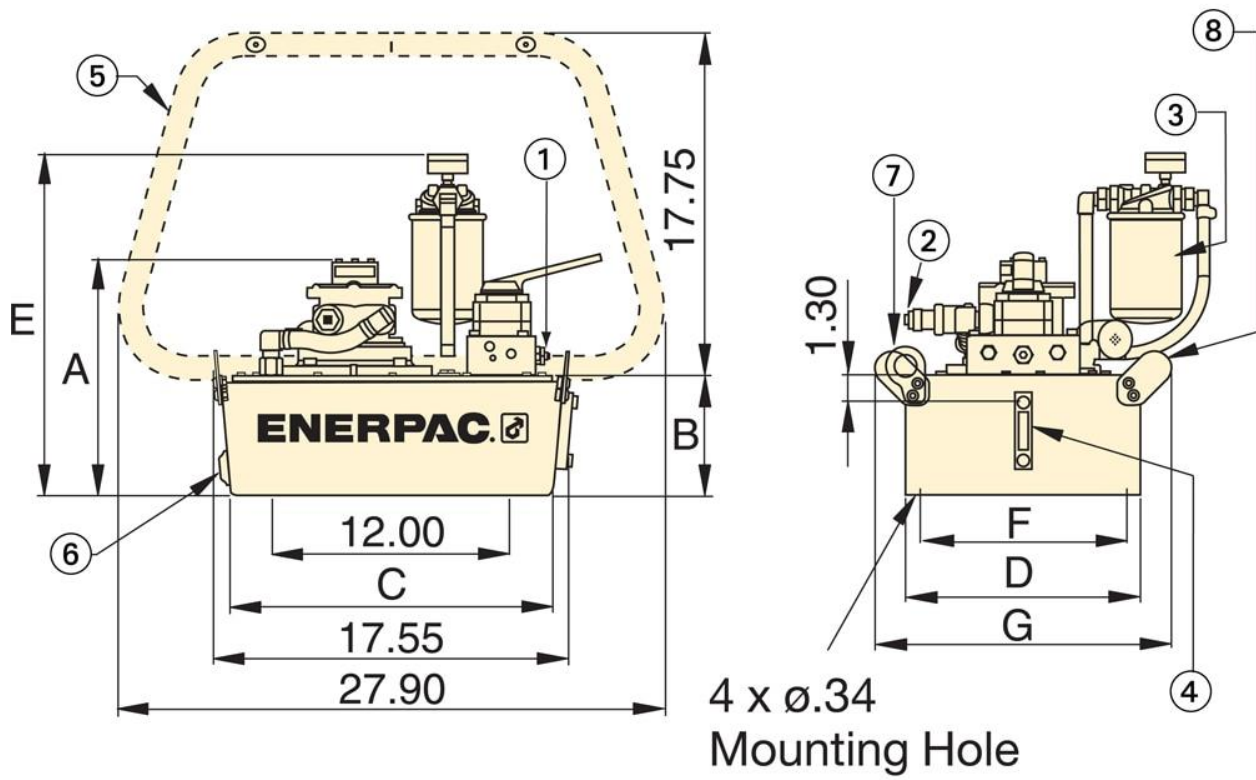
Dimensions

Units:

Imperial

Metric

Dimension A (in)	13
Dimension B (in)	7.1
Dimension C (in)	16.5
Dimension D (in)	16.6
Dimension E (in)	16.9
Dimension F (in)	15.6
Dimension G (in)	18.4



2.5, 5, 10 gallon reservoirs