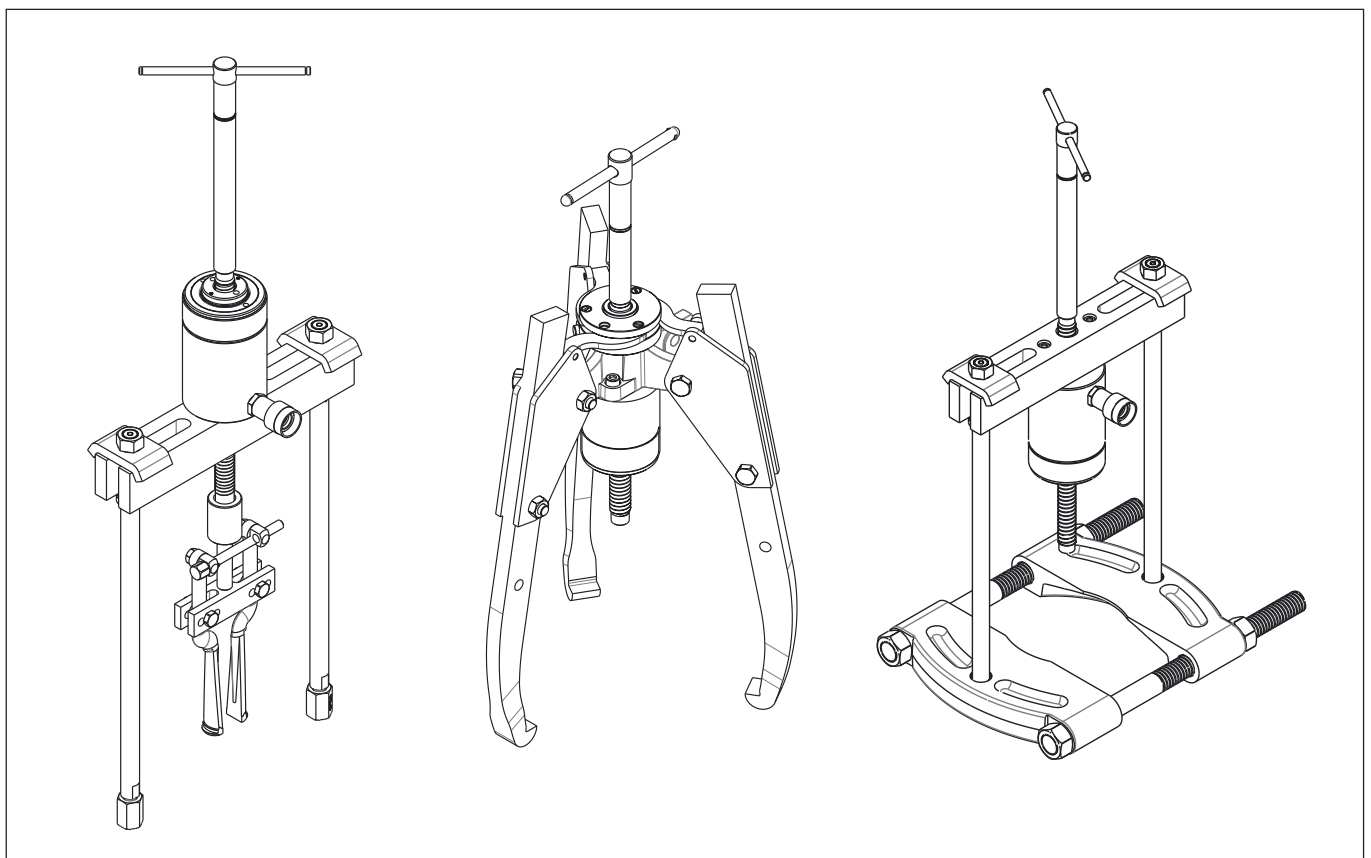


Document Number	Document Revision	Document Revision Date	Product Date Code Beginning With
L4181	D	06/2021	A

**NOTICE:**

To ensure optimum performance of the repaired product, Enerpac recommends the installation of ALL parts included in a service assembly or repair kit.



**Table of Contents:**

	<b>Page</b>
Figure 1 - Sync-Grip Puller - SGH14.....	2
Figure 2 - Sync-Grip Puller - SGH24, SGH36, SGH64 and SGH100 .....	2
Figure 3 - MPS Maintenance Set (Bearing Race Puller) .....	3
Figure 4 - MPS Maintenance Set (Cross Bearing Puller & Bearing Separator Attachment) .....	3
Figure 5 - Legs .....	4

**⚠ WARNING** Be certain that hydraulic pressure is completely relieved (0 psi/bar) and that load has been removed from tool before beginning any adjustment, maintenance or repair procedures. Appropriate shop safety procedures are to be followed during disassembly and reassembly to minimize any possibility of injury.

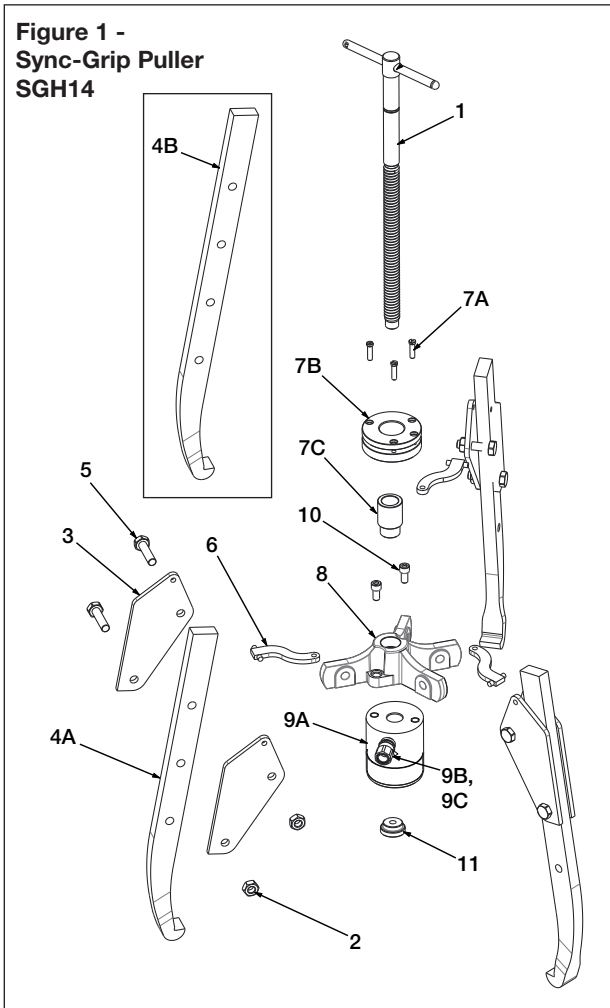
**Repair Parts List for Figures 1 and 2**

Item	Puller Model/Part Number					Qty.	Description
	SGH14	SGH24	SGH36	SGH64	SGH100		
1	SGH1001	SGH2001	SGH3001	SGH6001	SGH10001	1	Adjusting Rod (spindle)
2	★	◆	⊕	✱	▲	6	Nut
3	✱	*	*	*	▼	6	Plate (interchangeable left or right-hand)
3A	*	⊗	✱	⊗	*	3	Plate (left-hand)
3B	*	⊗	✱	⊗	*	3	Plate (right-hand)
4A	SG1008	SG2008	SG3008	SG6008	SG10008	1	Jaw, Standard Length (1 jaw)
	SG1003K	SG2003K	SG3003K	SG6003K	SG10003K	3	Jaw, Standard Length (accessory kit - 3 jaws)
4B	SG1009	SG2009	SG3009	SG6009	*	1	Jaw, Extended Reach (1 jaw)
	SG1002K	SG2002K	SG3002K	SG6002K	*	3	Jaw, Extended Reach (accessory kit - 3 jaws)
5	★	◆	⊕	✱	▲	6	Capscrew
6	✱	⊗	✱	⊗	▼	3	Strap
7A	★	◆	⊕	✱	▲	3	Screw, Self-Centering
7B	✱	✱	✱	✱	✱	1	Assembly, Self-Centering Ring
7C	✱	✱	✱	✱	✱	1	Bushing, Self-Centering
8	✱	✱	✱	✱	✱	1	Body
9A	RWH121900	RCH202	RCH302	RCH603	RCH1003	1	Hydraulic Cylinder
9B	⌘ CR400	⌘ CR400	⌘ CR400	⌘ CR400	⌘ CR400	1	Hydraulic Coupler
9C	⌘ FZ1055	---	---	---	---	1	Reducer Connector
9D	---	---	---	---	DD8992667	2	Swivel Lifting Eye
10	HP1120	HP2113	HP2013	HP5013	▲	2	Kit, Mounting Screw (short)
11	SGH1004	SGH2004	SGH3004	SGH6004	SGH10004	1	Point Protector

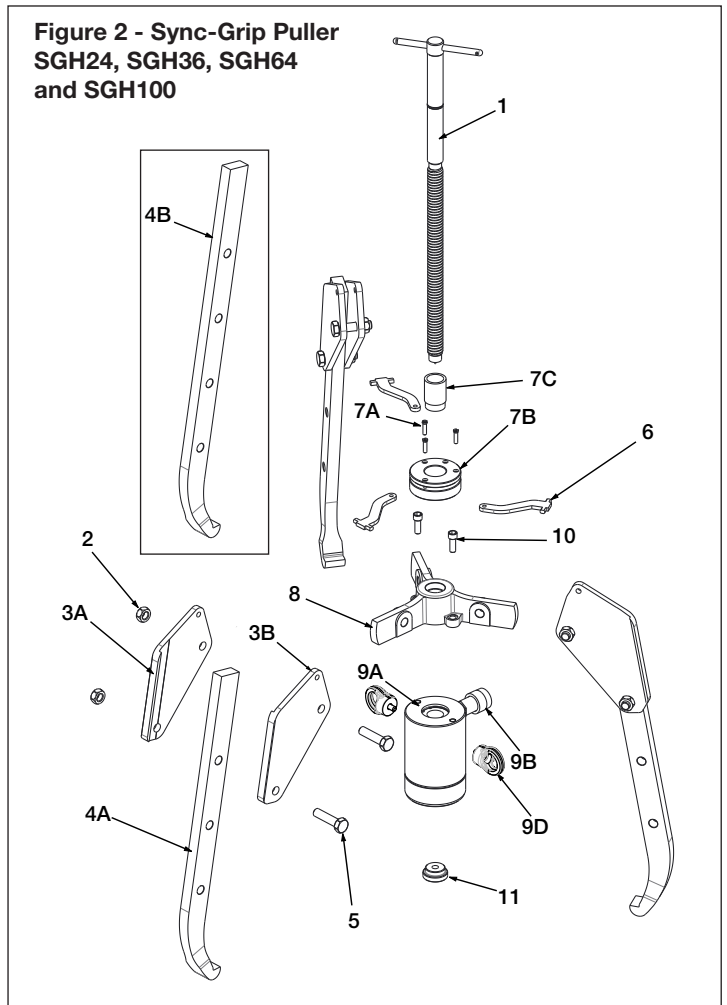
**Notes:**

- |                                     |                                  |   |
|-------------------------------------|----------------------------------|---|
| ★ Included in Hardware Kit SG1006K. | ✱ Included in Strap Kit SG1007K. | ▲ Included in Hardware Kit SG10006K.      |
| ◆ Included in Hardware Kit SG2006K. | ⊗ Included in Strap Kit SG2007K. | ▼ Included in Strap Kit SG10007K.         |
| ⊕ Included in Hardware Kit SG3006K. | ✱ Included in Strap Kit SG3007K. | ⌘ Included with item 9A.                  |
| ✱ Included in Hardware Kit SG6006K. | ⊗ Included in Strap Kit SG6007K. | ✱ Item not available as replacement part. |
|                                     |                                  | * Item not used on this puller model.     |

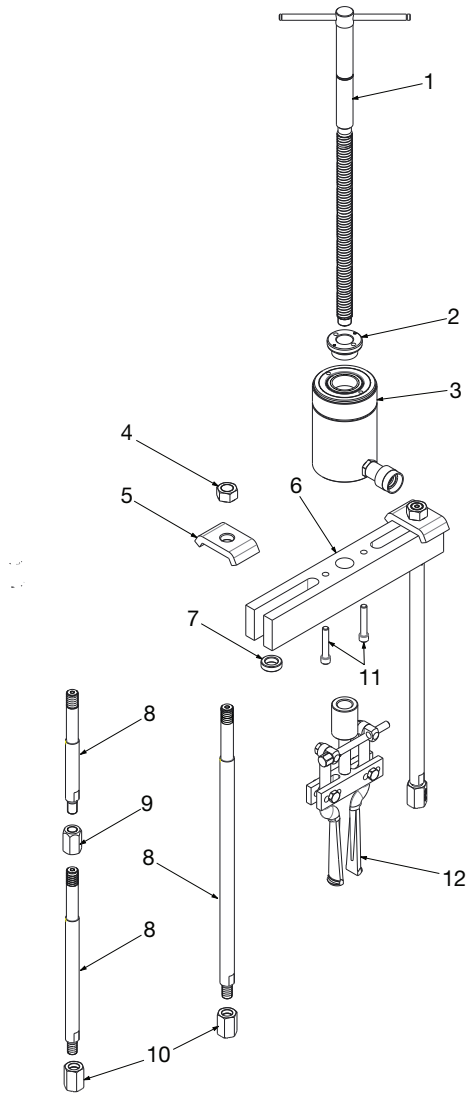
**Figure 1 -  
Sync-Grip Puller  
SGH14**



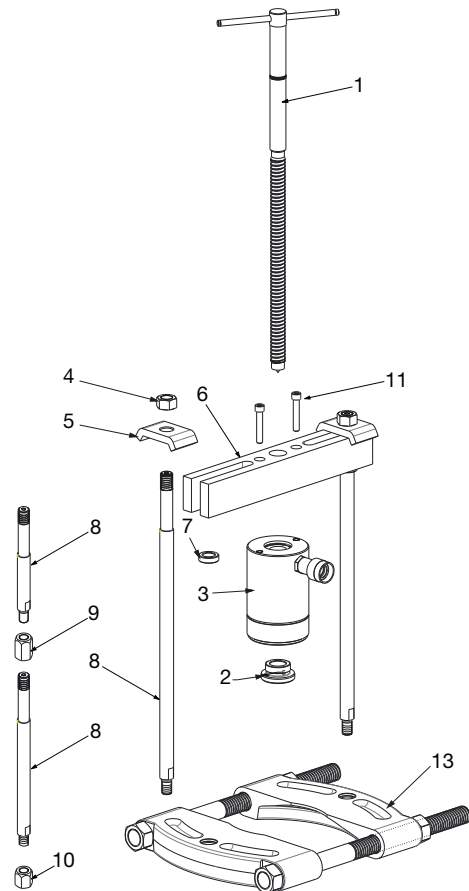
**Figure 2 - Sync-Grip Puller  
SGH24, SGH36, SGH64  
and SGH100**



**Figure 3 - MPS Maintenance Set  
(Bearing Race Puller)**



**Figure 4 - MPS Maintenance Set  
(Cross Bearing Puller and Bearing Separator Attachment)**



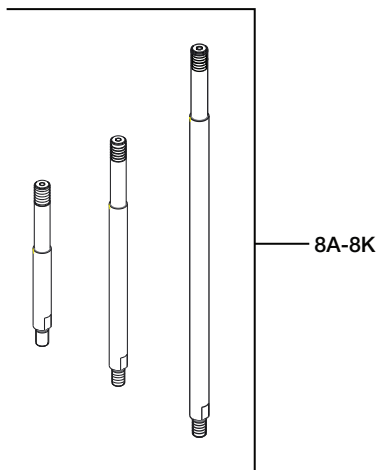
**Repair Parts List for Figures 3 and 4**

Item	Master Puller Set Model/Part Number				Qty.		Description
	MPS14	MPS24	MPS36	MPS64	Fig. 3	Fig. 4	
1	SGH1001	SGH2001	SGH3001	SGH6001	1	1	Adjusting Rod (spindle)
2	*	HP2015	HP3015	HP5016	1	1	Threaded Saddle
3	(See Fig. 1)	(See Fig. 2)	(See Fig. 2)	(See Fig. 2)	1	1	Hydraulic Cylinder
4	HP2001	HP2001	HP3031	HP5001	2	2	Kit, Leg Nut
5	HP1105	HP2105	HP3135	HP5102	2	2	Slide Plate
6	HP1103	HP2103	HP3104	HP5103	1	1	Slotted Crosshead
7	HP1102	HP2002	HP3032	*	2	2	Leg Washer
8	(See Fig. 5)	(See Fig. 5)	(See Fig. 5)	(See Fig. 5)	1	1	Leg
9	HP2031	HP2031	HP3041	*	4	4	Kit, Leg Reducer
10	HP2009	HP2009	HP3039	*	2	2	Kit, Leg End
11	HP1120	HP2113	HP2013	HP5013	2	2	Kit, Mounting Screw (short)
	HP1213	HP2213	HP3113	HP5113	2	2	Kit, Mounting Screw (long)
12	BHP180	BHP280	BHP380	BHP580	1	-	Internal Bearing Race Puller
13	BHP181	BHP282	BHP382	BHP582	-	1	Bearing Separator Attachment

**Notes:**

\* Item not used on this master puller set model.

**Figure 5 - Legs**  
**(For use with components**  
**shown in Fig. 3 and 4)**



Repair Parts List for Figure 5				
Item	Leg Part Number	Leg Length		Used on Master Puller Set Models:
		inch	mm	
8A	HP1136	4.2	106	MPS14, BHP162, BHP1752, BHP1772
8B	HP1137	14.1	357	
8C	HP2006	9.4	240	MPS24, BHP261G, BHP2751G, BHP262
8D	HP2007	16.5	420	
8E	HP2008	22.4	570	
8F	HP2012	4.5	115	
8G	HP3036	8.0	204	MPS36, BHP361G, BHP3751G, BHP362
8H	HP3037	18.1	460	
8I	HP3038	28.0	710	
8J	HP5007	24.0	608.5	MPS64, BHP561G, BHP5751G, BHP562
8K	HP5008	34.0	863.5	





