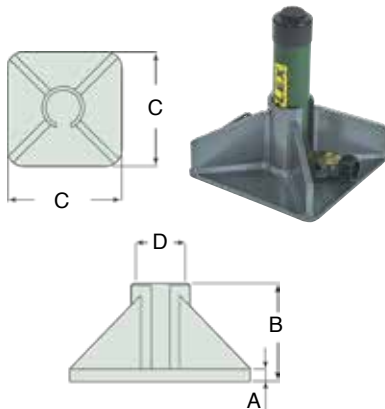




Cylinder Bases



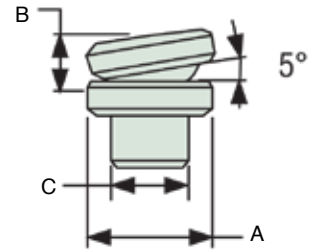
Model	A (in)	B (in)	C (in)	D (in)
BA10	.39	4.72	9.06	2.28
BA25	.63	4.96	11.02	3.39

Cylinder Load Caps



Model	Type of Cylinder
18347	Used on R5 Series
18348	Used on R10 & R15 Series
85525	Used on R25 Series
85525	Used on R30 Series
85546	Used on R55 Series
85546	Used on R75 Series
85546	Used on R100 Series
18348	Used on RDA10 Series
85525	Used on RDA30 Series
88390	Used on RDA55 Series
18323	Used on RDA100 Series
18326	Used on RDA150 Series
87721	Used on RDA200 Series

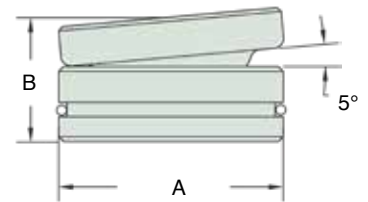
Tilt Saddles



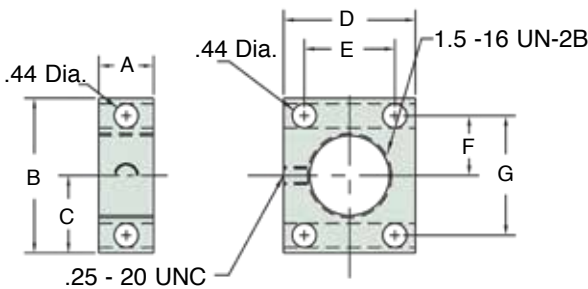
Model	A (in)	B (in)	C (in)
ATS10	1.38	.59	.88
ATS25	1.97	.83	1.4
ATS100	2.82	1.55	----

ATS10ATS25

ATS100 for R-Series 55, 75 and 100 ton cylinders



Mounting Blocks For R5 Series Cylinders

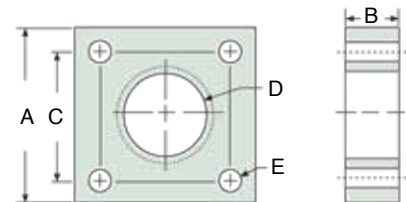


Model	A (in)	B (in)	C (in)	D (in)	E (in)	F (in)	G (in)
BR5	.99	2.75	1.38	2.36	1.62	1.06	2.12

Mounting Blocks



Mounting Blocks For R10, R15 & R25 Series Cylinders

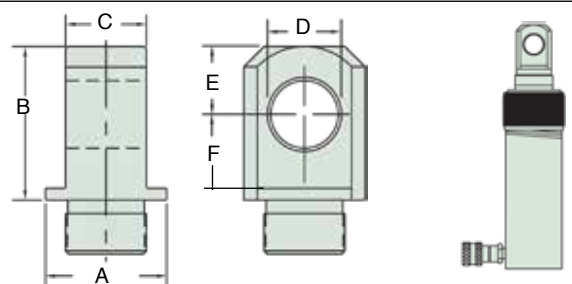


Model	A (in)	B (in)	C (in)	D (in)	E (in)
BR10	3.5	1	2.63	2.25-14 UN-2B	.34
BR15	3.5	1	2.63	2.75-16 UN-2B	.34
BR25	5	2	3.66	3.93-12 UN-2B	.66

For R-Series 5, 10, 15 & 25 ton cylinders

Model	A (in)	B (in)	C (in)	D (in)	E (in)	F (in)
BCR5	1.12	1.74	.56	.63	.62	.76
BCR10	1.69	2.44	1	.88	1	1.12
BCR15	1.69	2.44	1	.88	1	1.12
BCR25	2.25	2.82	1.5	1.26	1.25	1.37

Piston Clevis



For R-Series 10, 15 & 25 ton cylinders

Model	A (in)	B (in)	C (in)	D (in)	E (in)	F (in)	G (under cut)
BC10	2.5		1	.88	1	1.38	.25
BC15	3		1	.88	1	1.38	.25
BC25	3.75		1.5	1.26	1.25	1.53	.25

Base Clevis

