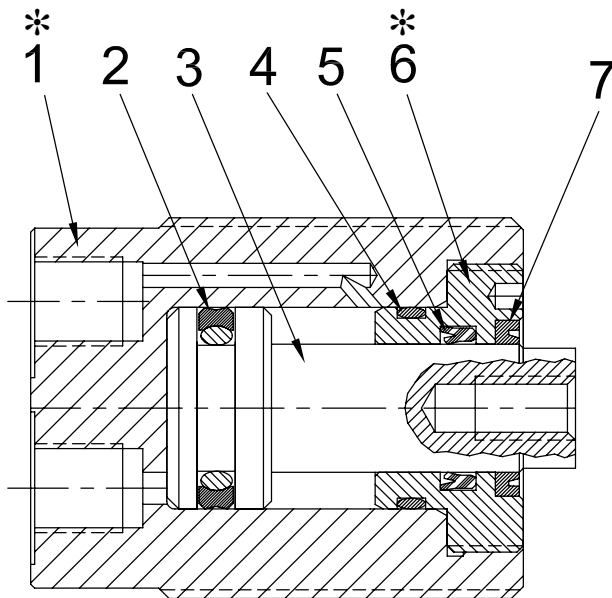


**To Protect Your Warranty, Use Only ENERPAC Hydraulic Oil.**

Enerpac recommends that all kit components be installed to insure optimum performance of the repaired product.



NOTES:

- \* Spray threads on base (item 1) and stop ring (item 6) with Loctite Activator #7649. Apply Loctite #222 to threads after Activator has dried. Assemble and torque stop ring (item 6) to 50-100 In-Lbs (5-11 Nm).

The U-Cup (item 5) shown in this view replaces an O-Ring and backup used on older models.

**Parts List - CDT18 Series Cylinders**

Item	Model Number								Qty.	Description
	CDT18131	CDT18251	CDT18381	CDT18501	CDT18132	CDT18252	CDT18382	CDT18502		
1	DC6976030	DC6977030	DC6978030	DC6979030	DC6067030	DC6068030	DC6069030	DC6070030	1	Base
2	DC4704076	DC4704076	DC4704076	DC4704076	DC4704076	DC4704076	DC4704076	DC4704076	1	★ Seal, Piston
3	DC6972040	DC6973040	DC6974040	DC6975040	DC6470040	DC6471040	DC6472040	DC6473040	1	Plunger
4	B1024803	B1024803	B1024803	B1024803	B1024803	B1024803	B1024803	B1024803	1	★ O-Ring
5	DW1061041	DW1061041	DW1061041	DW1061041	DW1061041	DW1061041	DW1061041	DW1061041	1	★ U-Cup
6	PA2806044	PA2806044	PA2806044	PA2806044	DC6041044	DC6041044	DC6041044	DC6041044	1	Stop Ring
7	CZ717041	CZ717041	CZ717041	CZ717041	CZ717041	CZ717041	CZ717041	CZ717041	1	★ Wiper

★ Items included in and available only as part of Seal Kit CDT18K1.

## Enerpac Worldwide Locations

◆ e-mail: [info@enerpac.com](mailto:info@enerpac.com)

◆ internet: [www.enerpac.com](http://www.enerpac.com)

### Africa

ENERPAC Middle East FZE  
Office 423, JAFZA 15  
P.O. Box 18004  
Jebel Ali, Dubai  
United Arab Emirates  
Tel: +971 (0)4 8872686  
Fax: +971 (0)4 8872687

### Australia, New Zealand Actuant Australia Ltd.

Block V Unit 3  
Regents Park Estate  
391 Park Road  
Regents Park NSW 2143  
(P.O. Box 261) Australia  
Tel: +61 297 438 988  
Fax: +61 297 438 648

### Brazil

Power Packer do Brasil Ltda.  
Rua dos Inocentes, 587  
04764-050 - Sao Paulo (SP)  
Tel: +55 11 5687 2211  
Fax: +55 11 5686 5583  
Toll Free in Brazil:  
Tel: 0800 891 5770  
[vendasbrasil@enerpac.com](mailto:vendasbrasil@enerpac.com)

### Canada

Actuant Canada Corporation  
6615 Ordan Drive, Unit 14-15  
Mississauga, Ontario L5T 1X2  
Tel: +1 905 564 5749  
Fax: +1 905 564 0305  
Toll Free:  
Tel: +1 800 268 4987  
Fax: +1 800 461 2456  
Technical Inquiries:  
[techservices@enerpac.com](mailto:techservices@enerpac.com)

### China

Actuant Industries Co. Ltd.  
No. 6 Nanjing Road  
Taicang Economic Dep Zone  
Jiangsu, China  
Tel: +86 0512 5328 7529  
+86 0512 5328 7500 7529  
Fax: +86 0512 5335 9690

### Actuant China Ltd. (Peking)

709B Diyang Building  
Xin No. 2  
Dong San Huan North Rd.  
Beijing City  
100028 China  
Tel: +86 10 845 36166  
Fax: +86 10 845 36220

### France, Switzerland francophone

ACTUANT - ENERPAC  
France S.A., ZA de Courtaboeuf  
32, avenue de la Baltique  
91140 Villebon / Yvette  
France  
Tel: +33 1 60 13 68 68  
Fax: +33 1 69 20 37 50

### Germany, Austria, Switzerland, Greece, Baltic States, Central and Eastern Europe

ENERPAC GmbH  
P.O. Box 300113  
D-40401 Düsseldorf  
Willstätterstrasse 13  
D-40549 Düsseldorf  
Germany  
Tel: +49 211 471 490  
Fax: +49 211 471 49 28

### India

ENERPAC Hydraulics  
(India) Pvt. Ltd.  
No. 1A,  
Peenya Industrial Area,  
IInd Phase  
Bangalore, 560 058 India  
Tel: +91 80 40 792 777  
Fax: +91 80 40 792 792

### Italy

ENERPAC S.p.A.  
Via Canova 4  
20094 Corsico (Milano)  
Tel: +39 02 4861 111  
Fax: +39 02 4860 1288

### Japan

Applied Power Japan LTD KK  
Besshochou 85-7  
Kita-ku,  
Saitama-shi 331-0821  
Japan  
Tel: +81 48 662 4911  
Fax: +81 48 662 4955

### Middle East, Turkey and Caspian Sea

ENERPAC Middle East FZE  
Office 423, JAFZA 15  
P.O. Box 18004  
Jebel Ali, Dubai  
United Arab Emirates  
Tel: +971 (0)4 8872686  
Fax: +971 (0)4 8872687

### Russia and CIS (excl. Caspian Sea Countries)

Actuant LLC  
Admiral Makarov Street 8  
125212 Moscow, Russia  
Tel: +7-495-9809091  
Fax: +7-495-9809092

### Sweden, Denmark, Norway, Finland and Iceland

ENERPAC Scandinavia AB  
Fabriksgatan 7  
412 50 Gothenburg  
Sweden  
Tel: +46 31 7990281  
Fax: +46 31 7990010  
[scandinavianinquiries@enerpac.com](mailto:scandinavianinquiries@enerpac.com)

### Singapore

Actuant Asia Pte. Ltd.  
37C, Benoi Road Pioneer Lot,  
Singapore 627796  
Tel: +65 68 63 0611  
Fax: +65 64 84 5669  
Toll Free: +1800 363 7722  
Technical Inquiries:  
[tech.service-sg@enerpac.com](mailto:tech.service-sg@enerpac.com)

### South Korea

Actuant Korea Ltd.  
3Ba 717,  
Shihwa Industrial Complex  
Jungwang-Dong, Shihung-Shi,  
Kyunggi-Do  
Republic of Korea 429-450  
Tel: +82 31 434 4506  
Fax: +82 31 434 4507

### Spain and Portugal

ENERPAC SPAIN, S.L.  
Avda. Los Frailes, 40 – Nave C  
& D  
Pol. Ind. Los Frailes  
28814 DAGANZO DE ARRIBA  
(Madrid)  
Spain  
Tel: +34 91 884 86 06  
Fax: +34 91 884 86 11

### Sweden, Denmark, Norway, Finland and Iceland

Enerpac Scandinavia AB  
Fabriksgatan 7  
412 50 Gothenburg  
Sweden  
Tel: +46 (0) 31 7990281  
Fax: +46 (0) 31 7990010  
Inquiries:  
[Scandinavianinquiries@enerpac.com](mailto:Scandinavianinquiries@enerpac.com)

### The Netherlands, Belgium, Luxembourg

ENERPAC B.V.  
Galvanistraat 115, 6716 AE Ede  
P.O. Box 8097, 6710 AB Ede  
The Netherlands  
Tel: +31 318 535 800  
Fax: +31 318 525 613  
+31 318 535 848  
[beneluxinquiries@enerpac.com](mailto:beneluxinquiries@enerpac.com)  
Technical Inquiries Europe:  
[techsupport.europe@enerpac.com](mailto:techsupport.europe@enerpac.com)

### United Kingdom, Ireland Enerpac Ltd

Bentley Road South  
Darlaston, West Midlands  
WS10 8LQ, United Kingdom  
Tel: +44 (0)121 50 50 787  
Fax: +44 (0)121 50 50 799

### USA, Latin America and Caribbean

ENERPAC  
P.O. Box 3241  
6100 N. Baker Road  
Milwaukee, WI 53209 USA  
Tel: +1 262 781 6600  
Fax: +1 262 783 9562

User inquiries:  
+1 800 433 2766  
Inquiries/orders:  
+1 800 558 0530  
Technical Inquiries:  
[techservices@enerpac.com](mailto:techservices@enerpac.com)

### ENERPAC

704 W. Simonds  
Dallas, TX 75159 USA  
Tel: +1 972 287 2390  
Fax: +1 972 287 4469

09/30/09

All Enerpac products are guaranteed against defects in workmanship and materials for as long as you own them. For your nearest authorized Enerpac Service Center, visit us at [www.enerpac.com](http://www.enerpac.com)