

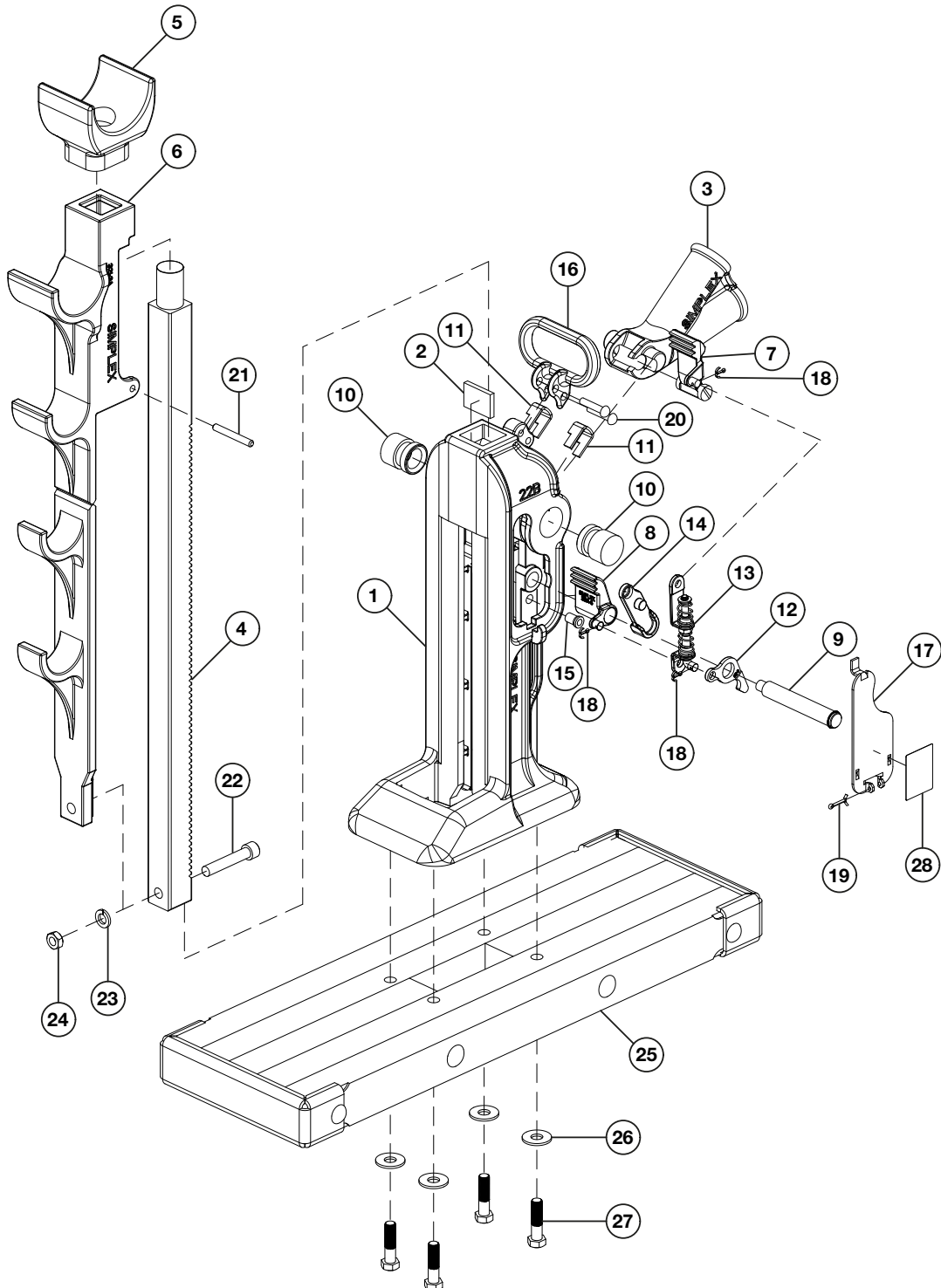


# Repair Parts Sheet

## Reel Jack CR321B

TD101 Rev. D 10/2021

Simplex recommends that all kit components be installed to insure optimum performance of the repaired product.



| Repair Parts List |             |      |                                |
|-------------------|-------------|------|--------------------------------|
| Item No.          | Part Number | Qty. | Description                    |
|                   | CR321B      |      |                                |
| 1                 | N/A         | 1    | Housing - Not Serviceable      |
| 2                 | ★           | 1    | Wearing Plate                  |
| 3                 | 90586       | 1    | Lever Socket (Dbl. Rounded)    |
| 4                 | 89091       | 1    | Rack Bar                       |
| 5                 | 90608       | 1    | Cap                            |
| 6                 | 90606       | 1    | Shoe Assembly                  |
| 7                 | 90588       | 1    | Lifting Pawl                   |
| 8                 | 90589       | 1    | Retaining Pawl                 |
| 9                 | 90273       | 1    | Retaining Pawl Pin Assembly    |
| 10                | ★           | 2    | Trunnion Bearing               |
| 11                | ★           | 2    | Trunnion Bearing Key           |
| 12                | 90275       | 1    | Spring Link Lever              |
| 13                | ★           | 1    | Spring Link Complete           |
| 14                | 90970       | 1    | Reversing Lever                |
| 15                | 90440       | 1    | Reversing Lever Rivet          |
| 16                | 41192       | 1    | Handle                         |
| 17                | 90965       | 1    | Side Plate                     |
| 18                | ★           | 3    | Cotter Pin                     |
| 19                | 93781       | 1    | Side Plate Cotter Pin          |
| 20                | 93898       | 2    | Handle Rivet                   |
| 21                | 90607       | 1    | Shoe Pin                       |
| 22                | 93603       | 1    | Screw Socket Hex Head          |
| 23                | 93946       | 1    | Lockwasher                     |
| 24                | 93879       | 1    | Hex Nut                        |
| 25                | 90604       | 1    | Base                           |
| 26                | 93926       | 4    | Washer                         |
| 27                | 88594       | 4    | Hex Head Screw                 |
| 28                | ★           | 1    | Capacity and Instruction Label |

★ - Indicates parts included in 40562 Repair Kit  
Replacement Decals available in CRSERIESDK Kit  
N/A - Not Available.



N86 W12500 Westbrook Crossing  
Menomonee Falls, WI 53051  
Phone - USA Only: 1 (800) 323-9114  
Phone - Inside/Outside USA: 1 (262) 293-1575  
Fax: 1 (262) 597-1127  
[www.tksimplex.com](http://www.tksimplex.com)