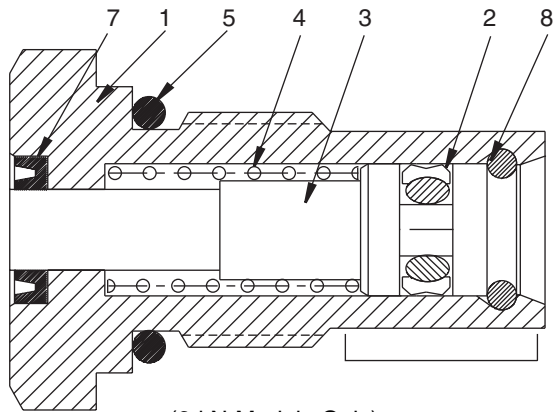
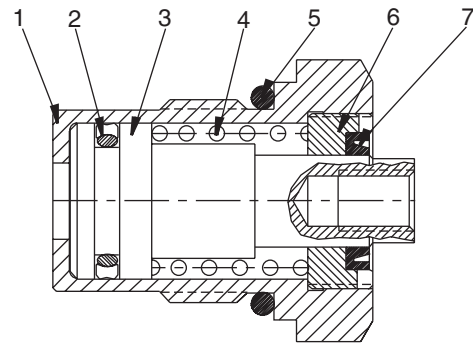


**To Protect Your Warranty, Use Only ENERPAC Hydraulic Oil.**

Enerpac recommends that all kit components be installed to insure optimum performance of the repaired product.



(2 kN Models Only)



(All other models)

Item	Part Number					Qty	Description
	2 KN	5 KN	10 KN	18 KN	27 KN		
1	DC4768030	DC4774030	DC4877030	---	---	1	Base (.28" Stroke imperial)
	DC4769030	DC4775030	DC4878030	DC4873030	---	1	Base (.51" Stroke imperial)
	---	---	---	---	DC4900030	1	Base (.58" Stroke metric)
	---	---	DC4879030	---	---	1	Base (.74" Stroke imperial)
	---	---	---	DC4872030	DC4901030	1	Base (1.00" Stroke imperial)
	DC4770030	DC4772030	DC4874030	---	---	1	Base (7 mm Stroke metric)
	DC4771030	---	DC4875030	D04870030	---	1	Base (13 mm Stroke metric)
	---	---	---	---	DC4902030	1	Base (5 mm Stroke metric)
	---	---	DC4876030	---	---	1	Base (19 mm Stroke metric)
	---	---	---	DC4871030	DC4903030	1	Base (25 mm Stroke metric)
2	★ DC4700076	★ DC4701076	★ DC4703076	★ DC4704076	★ DC4889076	1	Seal
3	PA2124040	DC4624040	DC4880040	---	---	1	Plunger (.28" Stroke imperial)
	DC4573040	PA2121040	DC4881040	PA2142040	---	1	Plunger (.51" Stroke imperial)
	---	---	---	---	DC4847040	1	Plunger (.58" Stroke imperial)
	---	---	DC4882040	---	---	1	Plunger (.74" Stroke imperial)
	---	---	---	PA2141040	DC4848040	1	Plunger (1.00" Stroke imperial)
	PA2127040	DC4624040	DC4659040	---	---	1	Plunger (7 mm Stroke metric)
	PA2128040	---	DC4660040	PA2142040	---	1	Plunger (13 mm Stroke metric)
	---	---	---	---	DC4851040	1	Plunger (15 mm Stroke imperial)
	---	---	DC4661040	---	---	1	Plunger (19 mm Stroke metric)
	---	---	---	PA2143040	DC4852040	1	Plunger (25 mm Stroke metric)
4	CZ549110	CZ565110	CZ690110	---	---	1	Spring (7 mm Stroke)
	CZ566110	CZ643110	CZ697110	CZ716110	---	1	Spring (13 mm Stroke)
	---	---	---	---	CZ781110	1	Spring (15 mm Stroke)
	---	---	CZ700110	---	---	1	Spring (19 mm Stroke)
	---	---	---	CZ720110	CZ784110	1	Spring (25 mm Stroke)
5	★ B1906503	★ PA1827503	★ CZ752041	★ CZ758041	★ PA1833503	1	O-ring
6	---	DC4636044	DC4674044	DC4722044	DC4822044	1	Stop ring (5,10,18,27 KN)
7	★ CZ550041	★ CZ572041	★ CZ691041	★ CZ717041	★ CZ771041	1	Wiper
8	★ B1010803	---	---	---	---	1	O-ring (2 KN ONLY)
	CSM2K	CSM5K	CSM10K	CSM18K	CSM27K		Repair kit

\* Starred items are included and available only as part of Repair Kit.

## Enerpac Worldwide Locations

### Africa

ENERPAC Middle East FZE  
P.O. Box 18004  
Jebel Ali, Dubai  
United Arab Emirates  
Tel: +971 (0)4 8872686  
Fax: +971 (0)4 8872687

### Australia

ENERPAC, Actuant Australia Ltd.  
Block V Unit 3, Regents Park Estate  
391 Park Road, Regents Park NSW 2143  
(P.O. Box 261) Australia  
Tel: +61 297 438 988  
Fax: +61 297 438 648

### Brazil

Power Packer do Brasil Ltda.  
Rua dos Inocentes, 587  
04764-050 - Sao Paulo (SP)  
Tel: +55 11 5687 2211  
Fax: +55 11 5686 5583

### Toll Free in Brazil:

Tel: 0800 891 5770  
vendasbrasil@enerpac.com

### Canada

Actuant Canada Corporation  
6615 Ordan Drive, Unit 14-15  
Mississauga, Ontario L5T 1X2  
Tel: +1 905 564 5749  
Fax: +1 905 564 0305

### Toll Free:

Tel: +1 800 268 4987  
Fax: +1 800 461 2456

### Technical Inquiries:

techservices@enerpac.com

### China

Actuant China Ltd.  
1F, 269 Fute N. Road  
Waigaoqiao Free Trade Zone  
Pudong New District  
Shanghai, 200 131 China  
Tel: +86 21 5866 9099  
Fax: +86 21 5866 7156

◆ e-mail: [info@enerpac.com](mailto:info@enerpac.com)

Actuant China Ltd. (Beijing)  
709A Xin No. 2  
Diyang Building  
Dong San Huan North Rd.  
Beijing City, 100028 China  
Tel: +86 10 845 36166  
Fax: +86 10 845 36220

### Central and Eastern Europe

ENERPAC B.V.  
Galvanistraat 115  
P.O. Box 8097, 6710 AB Ede  
The Netherlands  
Tel: +31 318 535 936  
Fax: +31 318 535 951

### France

ENERPAC  
Une division de ACTUANT France s.a.  
B.P. 200  
Parc d'Activités  
du Moulin de Massy  
F-91882 Massy CEDEX France  
Tel: +33 1 601 368 68  
Fax: +33 1 692 037 50

### Germany, Austria, Switzerland, Russia, Greece and CIS (excl. Caspian Sea Countries)

ENERPAC Applied Power GmbH  
P.O. Box 300113  
D-40401 Düsseldorf  
Germany  
Tel: +49 211 471 490  
Fax: +49 211 471 49 28

### India

ENERPAC Hydraulics (India) Pvt. Ltd.  
Plot No. A/571  
MIDC, TTC Industrial Area  
Mahape-400 701  
Navi Mumbai, India  
Tel: +91 22 2778 1472  
Fax: +91 22 2778 1473

### Italy

ENERPAC S.p.A.  
Via Canova 4  
20094 Corsico (Milano)  
Tel: +39 02 4861 111  
Fax: +39 02 4860 1288

### Japan

Applied Power Japan Ltd.  
1-1-11, Shimomae  
Toda-shi  
Saitama Pref.  
Japan 335-0016  
Tel: +81 484 30 1055  
Fax: +81 484 30 1066

### The Netherlands, Belgium, Luxembourg, Sweden, Denmark, Norway, Finland, Baltic States

ENERPAC B.V.  
Galvanistraat 115  
P.O. Box 8097, 6710 AB Ede  
The Netherlands  
Tel: +31 318 535 911  
Fax: +31 318 525 613  
+31 318 535 848

### Technical Inquiries Europe:

[techsupport.europe@enerpac.com](mailto:techsupport.europe@enerpac.com)

### Singapore

Enerpac Asia Pte. Ltd.  
25 Serangoon North Ave. 5  
#03-01 Keppel Digihub  
Singapore 554914  
Thomson Road  
P.O. Box 114  
Singapore 915704  
Tel: +65 64 84 5108, +65 64 84 3737  
1800 363 7722

### Technical Inquiries:

Fax: +65 64 84 5669  
[sales@enerpac.com.sg](mailto:sales@enerpac.com.sg)

### South Korea

Actuant Korea Ltd.  
3Ba 717, Shihwa Industrial Complex,  
Jungwang-Dong, Shihung-Shi, Kyunggi-Do  
Republic of Korea 429-450  
Tel: +82 31 434 4506  
Fax: +82 31 434 4507

◆ internet: [www.enerpac.com](http://www.enerpac.com)

### Spain, Portugal

ENERPAC  
C/San José Artesano 8  
Pol. Ind.  
28108 Alcobendas  
(Madrid) Spain  
Tel: +34 91 661 11 25  
Fax: +34 91 661 47 89

### Middle East, Turkey, Caspian Sea

ENERPAC Middle East FZE  
P.O. Box 18004  
Jebel Ali, Dubai  
United Arab Emirates  
Tel: +971 (0)4 8872686  
Fax: +971 (0)4 8872687

### United Kingdom, Ireland

ENERPAC Ltd., P.O. Box 33  
New Romney, TN28 8QF  
United Kingdom  
Tel: +44 1527 598 900  
Fax: +44 1527 585 500

### USA, Latin America and Caribbean

ENERPAC  
P.O. Box 3241  
6100 N. Baker Road  
Milwaukee, WI 53209 USA  
Tel: +1 262 781 6600  
Fax: +1 262 783 9562

### User inquiries:

+1 800 433 2766

### Distributor inquiries/orders:

+1 800 558 0530

### Technical Inquiries:

[techservices@enerpac.com](mailto:techservices@enerpac.com)

All Enerpac products are guaranteed against defects in workmanship and materials for as long as you own them.  
For your nearest authorized Enerpac Service Center, visit us at [www.enerpac.com](http://www.enerpac.com)