

HYDRAULIC TOOLS

SPH Series - Single Acting Punch



SPH35A Shown

Capacity▶ 35 tons
 Maximum Thickness▶ .5 in.
 Maximum Pressure▶ 10,000 psi

- ▶ Industrial grade, single acting, spring return design.
- ▶ Punches holes in material up to .5" thick mild steel.
- ▶ All models come equipped with a heavy duty steel case, providing tool and die organization along with ease of transport.
- ▶ Large selection of square, rounded and oblong dies and punches are offered to complete a wide variety of applications.

HOSES - pages 78 - 79



Heavy duty and thermo plastic hydraulic hoses to meet your requirements and safety factor.

POWER PUMPS - pages 43 - 65



Simplex offers a wide variety of lightweight power pumps to fit any application.

GAUGES -



Improve your system visibility and safety by adding an inline hydraulic gauge to your circuit.

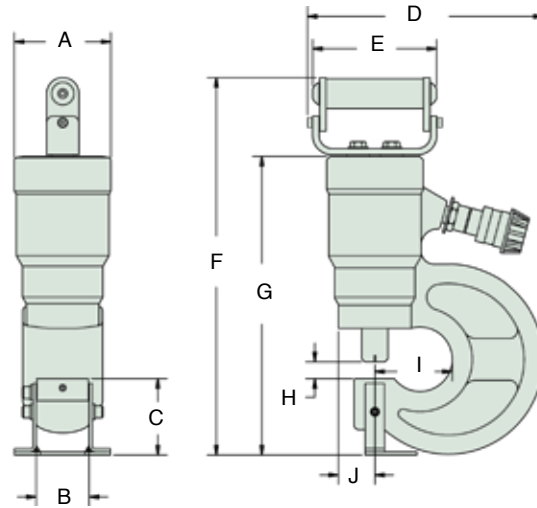
Simplex offers a punch mounted motor control so that work can be performed safely and more productively as shown in this fabricating shop.▼

**SPH35SPA Kit Includes:
 Punch - Case - Punch & Die Set - Pump - Hose**



Model	Punch	Steel Case	Punch & Die Set	Pump	Pump Voltage	Hose	Weight Punch Only (lbs.)
SPH35A	SPH35A	Yes	----	----	----	----	32
SPH35SA	SPH35A	Yes	DS-44, DS-56, DS-69, DS-81	----	----	----	32
SPH35SPA - 115	SPH35A	Yes	DS-44, DS-56, DS-69, DS-81	G1101F	115	HCA6	32
SPH35SPA - 230	SPH35A	Yes	DS-44, DS-56, DS-69, DS-81	G1201F	230	HCA6	32
*SPH35MA	SPH35A	Yes	DS-38, DS-44, DS-53, DS-69	----	----	----	32
*SPH35MPA - 115	SPH35A	Yes	DS-38, DS-44, DS-53, DS-69	G1101F	115	HCA6	32
*SPH35MPA - 230	SPH35A	Yes	DS-38, DS-44, DS-53, DS-69	G1201F	230	HCA6	32

* "M" = METRIC DIE SET



Punch Dimensions

	A	B	C	D	E	F	G	H	I	J
Imperial	3.75	2.06	2.97	9.16	4.81	14.66	11.6	.66	3	1.42
Metric	95.25	52.32	75.43	232.66	122.17	372.36	294.64	16.76	76.2	36.06

QUALITY OF STEEL REFERENCE TABLE

- A: Mild A-7
- B: Boiler Plate
- C: Structural A-36
- D: Struct Corten (ASTM A242)

- E: Cold Rolled C-1018
- F: Hot Rolled C-1050
- G: Hot Rolled C-1095
- H: Hot Rolled C-1095 Annealed

- I: Stainless Annealed
- J: Stainless 304 Hot Rolled
- K: Stainless 316 Cold Rolled

Contact Factory for additional dimensions.

Hole Type	Punch Model	Die Model	Punch & Die Set	Bevel Punch & Die Set for I-Beams	Bevel Punch & Die Set for U-Beams	Hole Size		Bolt Size		A	B	C	D	E	F	G	H	I	J	K
						(in)	(mm)	(in)	(mm)	*Maximum Metal Thickness To Be Punched (in.)										
Round	DP-31	DD-31	DS-31	DSB-31	---	.31	7.9	.25	---	.31	.31	.25	.25	.25	.25	.13	.19	.25	.25	.25
Round	DP-38	DD-38	DS-38	DSB-38	---	.38	9.5	.31	M8	.38	.38	.31	.31	.31	.31	.19	.25	.31	.31	.31
Round	DP-44	DD-44	DS-44	DSB-44	DSBU-44	.44	11.1	.44	M10	.44	.44	.38	.38	.38	.31	.19	.31	.31	.31	.31
Round	DP-53	DD-53	DS-53	DSB-53	DSBU-53	.53	13.5	.44	M12	.50	.50	.44	.44	.44	.38	.25	.31	.38	.38	.38
Round	DP-56	DD-56	DS-56	DSB-56	---	.56	14.3	.5	---	.50	.50	.50	.44	.50	.44	.25	.38	.44	.44	.44
Round	DP-69	DD-69	DS-69	DSB-69	DSBU-69	.69	17.5	.62	M16	.50	.50	.50	.44	.50	.40	.25	.31	.40	.40	.40
Round	DP-78	DD-78	DS-78	---	---	.78	19.8	---	M18	.50	.50	.50	.44	.50	.38	.25	.31	.38	.39	.38
Round	DP-81	DD-81	DS-81	---	---	.81	20.6	.75	---	.50	.50	.50	.44	.50	.31	.19	.31	.31	.31	.31
Square	DP-45	DD-45	DS-45	---	---	.31	7.9	.25	---	.31	.31	.25	.25	.25	.25	.13	.19	.25	.25	.25
Square	DP-54	DD-54	DS-54	---	---	.38	9.5	.31	M8	.38	.38	.31	.31	.31	.31	.19	.25	.31	.31	.31
Square	DP-63	DD-63	DS-63	---	---	.44	11.1	.38	M10	.44	.44	.38	.38	.38	.31	.19	.31	.31	.31	.31
Square	DP-72	DD-72	DS-72	---	---	.50	12.7	.44	M12	.50	.50	.44	.44	.44	.38	.25	.31	.38	.38	.31
Oblong	DP-10	DD-10	DS-10	---	---	.31 x .75	7.9 x 19	.25	---	.31	.31	.25	.25	.25	.25	.13	.19	.25	.25	.25
Oblong	DP-12	DD-12	DS-12	---	---	.38 x .75	9.5 x 19	.19	M8	.38	.38	.31	.31	.31	.31	.19	.25	.31	.31	.31
Oblong	DP-18	DD-18	DS-18	---	---	.44 x .75	11.1 x 19	.38	M10	.44	.44	.38	.38	.38	.31	.19	.31	.31	.31	.31
Oblong	DP-25	DD-25	DS-25	---	---	.50 x .75	12.7 x 19	.44	M12	.50	.50	.44	.44	.44	.38	.25	.31	.38	.38	.38