

Document Number	Document Revision	Document Revision Date	Product Date Code Beginning With
L4340	D	08/2019	A

To Protect Your Warranty, Use Only ENERPAC Hydraulic Oil.
Enerpac recommends that all kit components be installed to insure optimum performance of the repaired product.

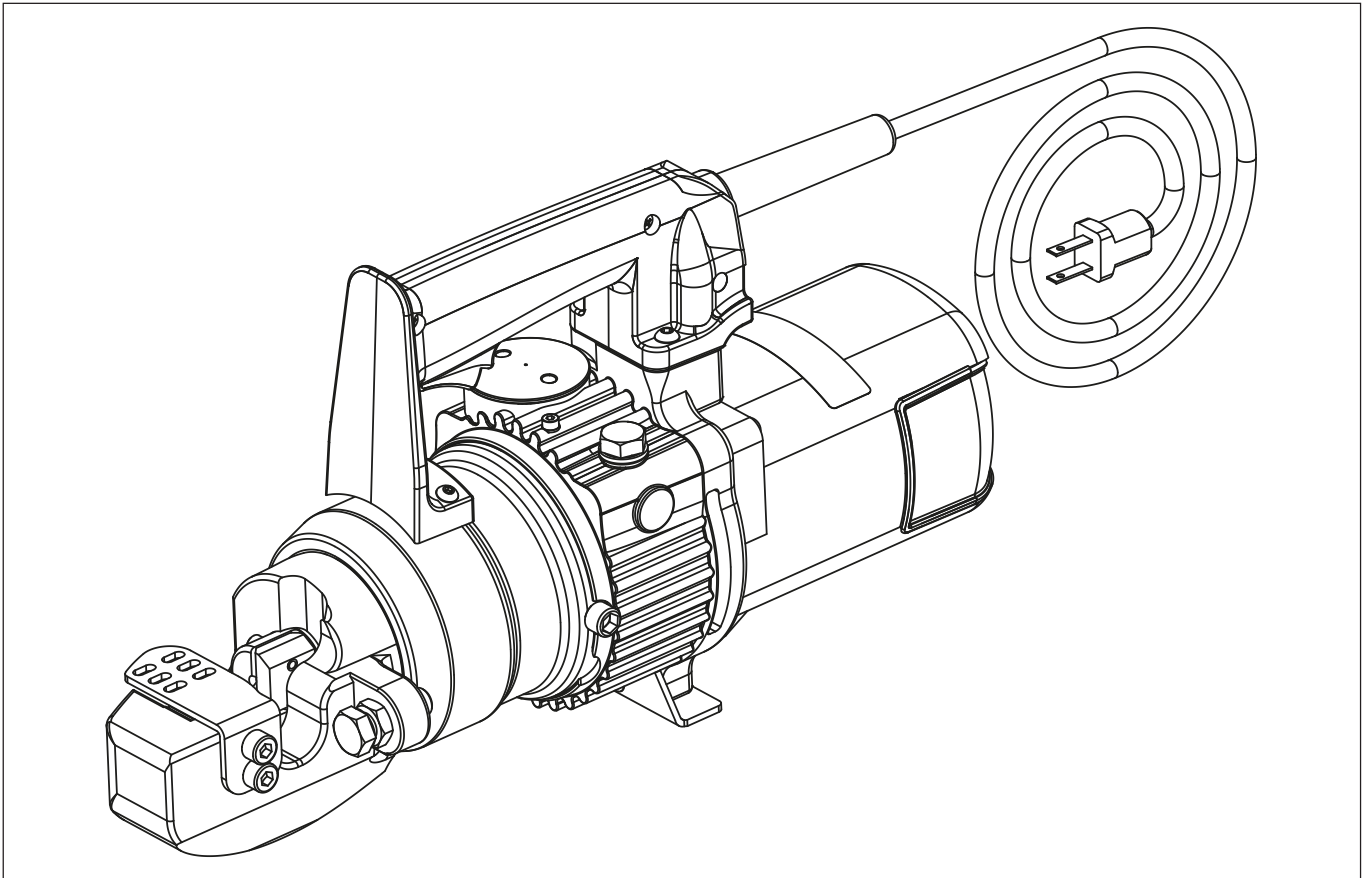


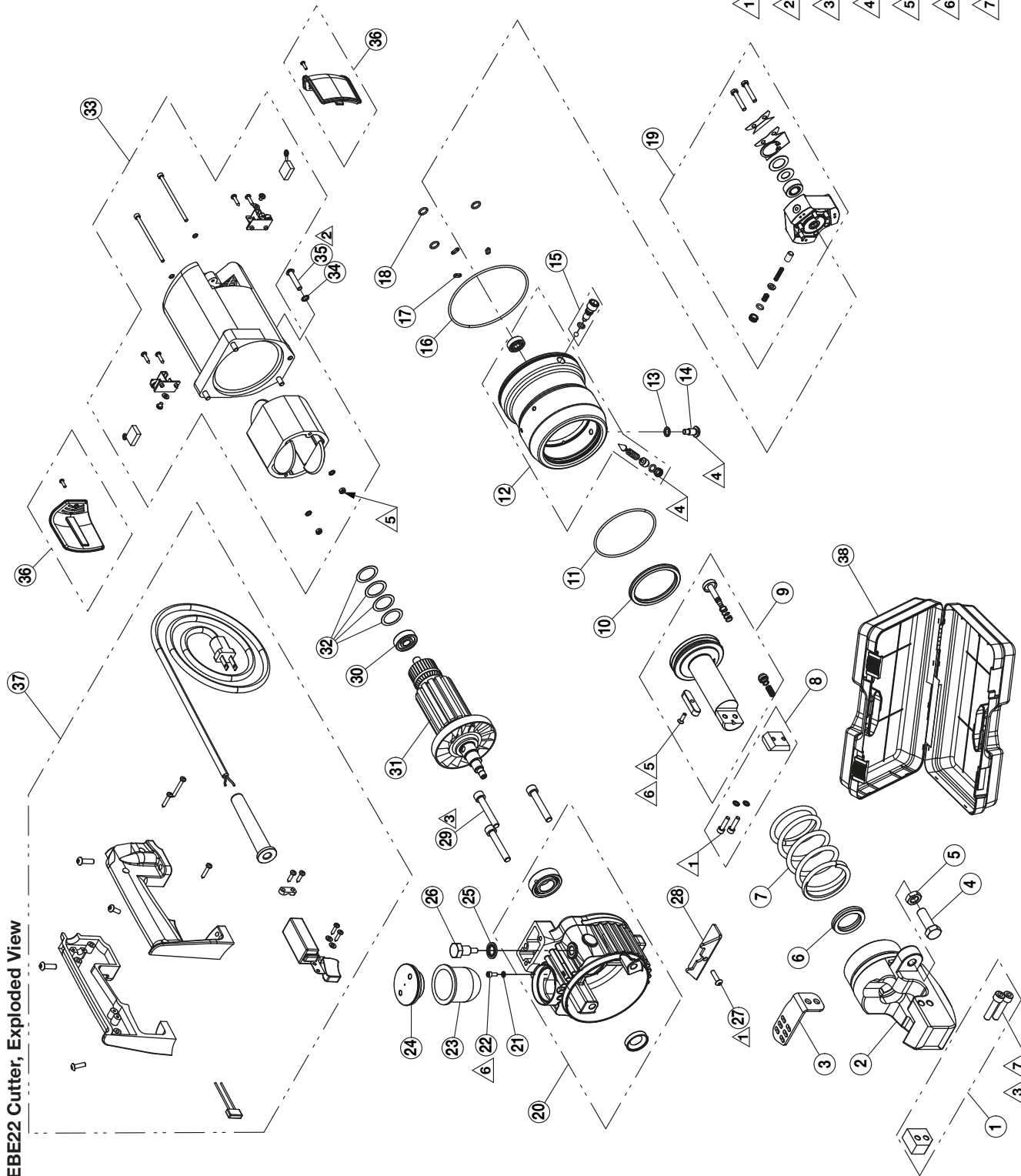
Table of Contents:

	Page		Page
Figure 1 - EBE22 Cutter, Exploded View	2	Figure 11 - EBE2218K Release Valve Kit	8
Figure 2 - EBE2201K Blade Kit	4	Figure 12 - EBE2204K & EBE2219K Handle Kit	8
Figure 3 - EBE2202K Seal Kit	4	Figure 13 - EBE2203K & EBE2223K Switch Kit	9
Figure 4 - EBE2205K Guard Kit	5	Figure 14 - EBE2214K Bearing Kit	9
Figure 5 - EBE2206K Piston Kit	5	Figure 15 - EBE2211K & EBE2220K Rotor Kit	8
Figure 6 - EBE2207K Cylinder Body Kit	6	Figure 16 - EBE2212K & EBE2221K Motor Kit	8
Figure 7 - EBE2208K Head Kit	6	Figure 17 - EBE2222K and EBE2215K Brush Kit	9
Figure 8 - EBE2607K Cylinder Spring Kit	6	Figure 18 - EBE2217K Small Parts Kit	10
Figure 9 - EBE2213K Tank Kit	7	Figure 19 - DKSCOMP Decal Kit	12
Figure 10 - EBE2210K Pump Kit	7		

⚠ WARNING Be certain that cutter is disconnected from AC power supply before beginning any adjustment, maintenance or repair procedures. Appropriate shop safety procedures are to be followed during disassembly and reassembly to minimize any possibility of injury.

Note: Parts kits, components and product features described in this document are subject to change without notice.

Figure 1 - EBE22 Cutter, Exploded View

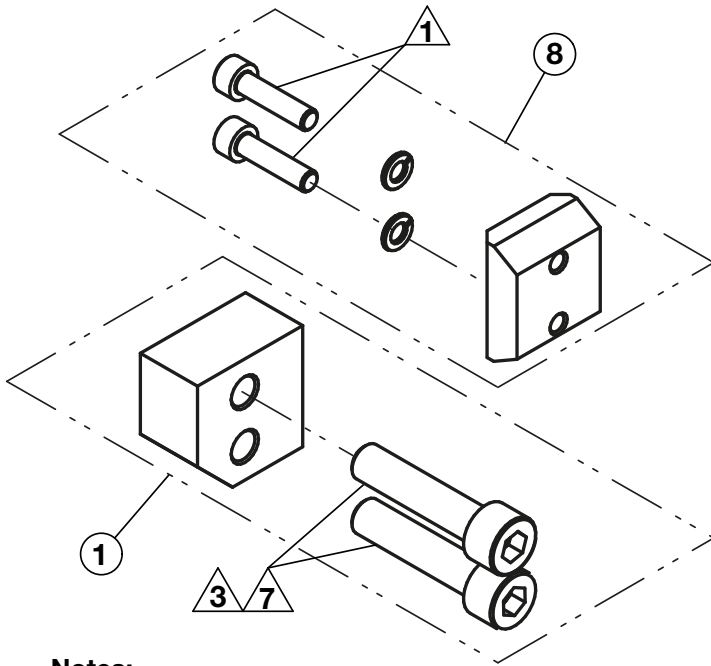


Notes:

- 1 Torque to 5.98 Nm [52.9 in.-lbs].
- 2 Torque to 10 Nm [91 in.-lbs].
- 3 Torque to 25 Nm [18 ft.-lbs].
- 4 Apply Loctite 542.
- 5 Apply Loctite 638.
- 6 Torque to 3 Nm [26 in.-lbs].
- 7 Apply Loctite 243.

Repair Parts List for Figure 1		
Item No.	Qty.	Description
1	1	Fixed Blade Assembly
2	1	Head
3	1	Guard
4	1	HXBT Screw M12 x 35 UNI 5739 Zn
5	1	Nut M12 5589 Zn
6	1	Gasket 4432
7	1	Spring F.6 x e67 x 5.5 x Lo107
8	1	Moving Blade Assembly
9	1	Piston Assembly
10	1	Gasket 7060
11	1	O-Ring 82.22 x 2.62
12	1	Cylinder Base Assembly
13	1	Flat Washer 8 x 12 x 1.4 Copper
14	1	Positioning Screw
15	1	Manual Release Valve
16	1	O-Ring 107.62 x 2.62
17	3	O-Ring 6.07 x 1.78
18	3	O-Ring 9.25 x 1.78
19	1	Pump Assembly
20	1	Tank Assembly
21	1	Bonded Seal Washer 4.10 x 7.20 x 1
22	1	Socket Cap Screw M4 x 10 UNI 5931 Zn
23	1	Diaphragm
24	1	Diaphragm Housing Lid
25	1	Bonded Seal Washer 1/4"
26	1	Magnetic Filter
27	1	Button Screw M5 x 20 10.9 UNI 7380 Zn
28	1	Stand-Off Bracket
29	3	Socket Cap Screw M8 x 50 UNI 5931 Zn
30	1	Bearing
31	1	Rotor Assembly
32	4	Compensating Ring 29.7 x 22.5 x 0.5
33	1	Motor Assembly
34	4	Shnorr Washer M6 Zn
35	4	Button Screw M6 x 30 10.9 UNI 7380 Zn
36	2	Brush Cover Assembly
37	1	Handle Assembly
38	1	Hard Case
Note: Refer to Figures 2 through 19 for repair kit parts diagrams and additional information.		

Figure 2 - EBE2201K Blade Kit



Notes:

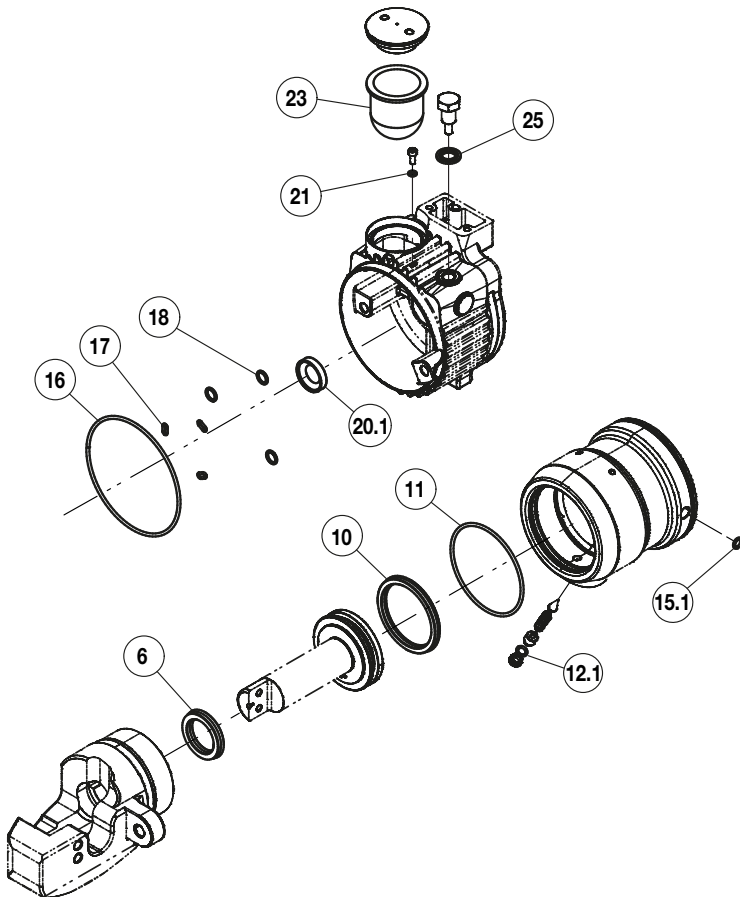
- 1 Torque to 5.98 Nm [52.9 in-lbs].
- 3 Torque to 25 Nm [18 ft-lbs].
- 7 Apply Loctite 243.

Parts List for Figure 2

Item No.	Qty.	Description
1	1	Fixed Blade Assembly
8	1	Moving Blade Assembly

Note: Kit parts available only in kits. Items not sold separately.

Figure 3 - EBE2202K Seal Kit

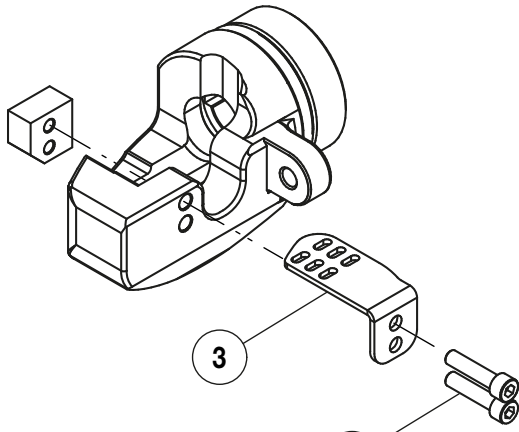


Parts List for Figure 3

Item No.	Qty.	Description
6	1	Gasket 4432
10	1	Gasket 7060
11	1	O-Ring 82.22 x 2.62
12.1	1	O-Ring 610 6.75 x 1.78
15.1	1	O-Ring 610 6.75 x 1.78
16	1	O-Ring 107.62 x 2.62
17	3	O-Ring 6.07 x 1.78
18	3	O-Ring 9.25 x 1.78
20.1	1	Oil Seal 17 x 30 x 7
21	1	Bonded Seal Washer 4.10 x 7.20 x 1
23	1	Diaphragm
25	1	Bonded Seal Washer 1/4"

Note: Kit parts available only in kits. Items not sold separately.

Figure 4 - EBE2205K Guard Kit



Notes:

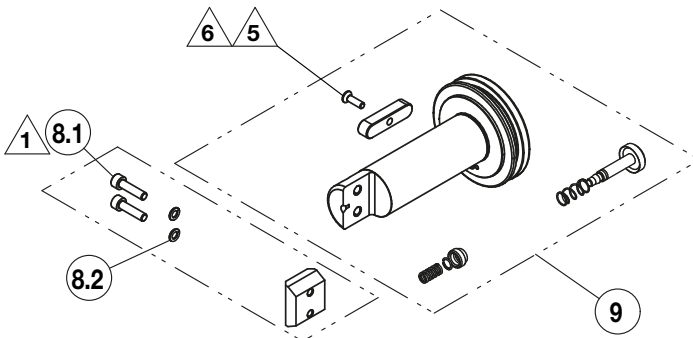
-  Torque to 25 Nm [18 ft-lbs].
-  Apply Loctite 243.

Parts List for Figure 4




Item No.	Qty.	Description
1.1	2	Socket Cap Screw M8 x 35 UNI 5931 Zn
3	1	Guard

Note: Kit parts available only in kits. Items not sold separately.

Figure 5 - EBE2206K Piston Kit



Notes:

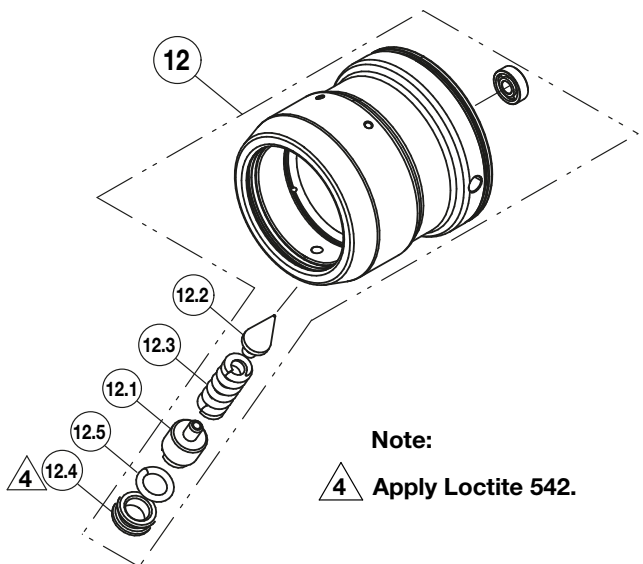
-  Torque to 5.98 Nm [52.9 in-lbs].
-  Apply Loctite 638.
-  Torque to 3 Nm [26 in-lbs].

Parts List for Figure 5

Item No.	Qty.	Description
8.1	2	Socket Cap Screw M5 x 20 UNI 5931 Zn
8.2	2	Grower Washer M5 UNI 1751 Zn
9	1	Piston Assembly

Note: Kit parts available only in kits. Items not sold separately.

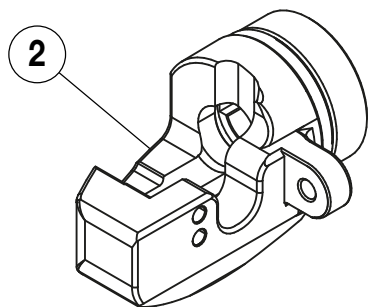
Figure 6 - EBE2207K Cylinder Body Kit



Parts List for Figure 6		
Item No.	Qty.	Description
12	1	Cylinder Base Assembly
12.1	1	Adjustment Screw
12.2	1	Shutter
12.3	1	Spring F.2 x e8 x 7 x Lo20.5
12.4	1	Cap Valve
12.5	1	O-Ring 6.75 x 1.78

Note: Kit parts available only in kits. Items not sold separately.

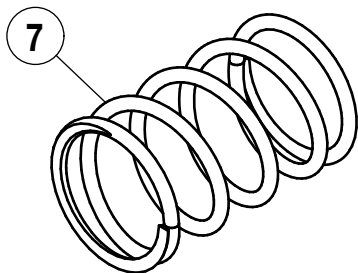
Figure 7 - EBE2208K Head Kit



Parts List for Figure 7		
Item No.	Qty.	Description
2	1	Head

Note: This kit contains only one part (item 2).

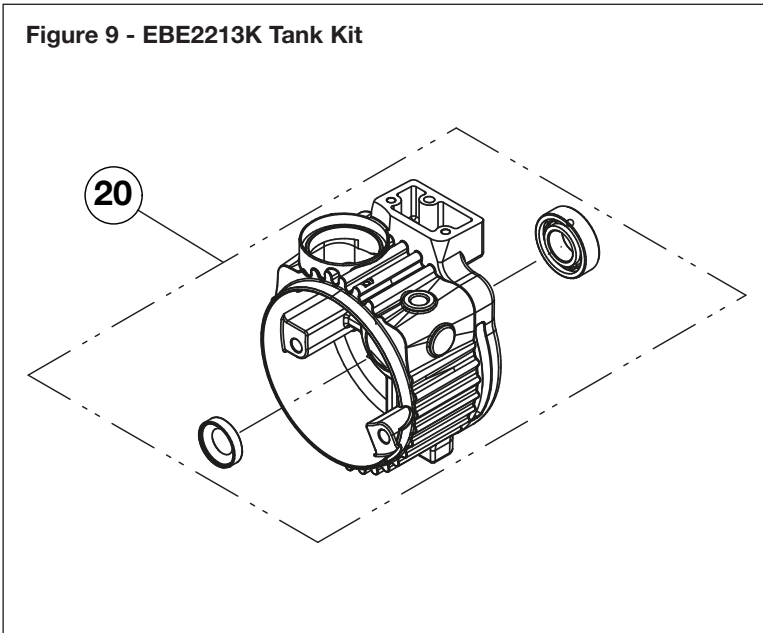
Figure 8 - EBE2607K Cylinder Spring Kit



Parts List for Figure 8		
Item No.	Qty.	Description
7	1	Spring F.6 x e67 x 5.5 x Lo107

Note: This kit contains only one part (item 7).

Figure 9 - EBE2213K Tank Kit

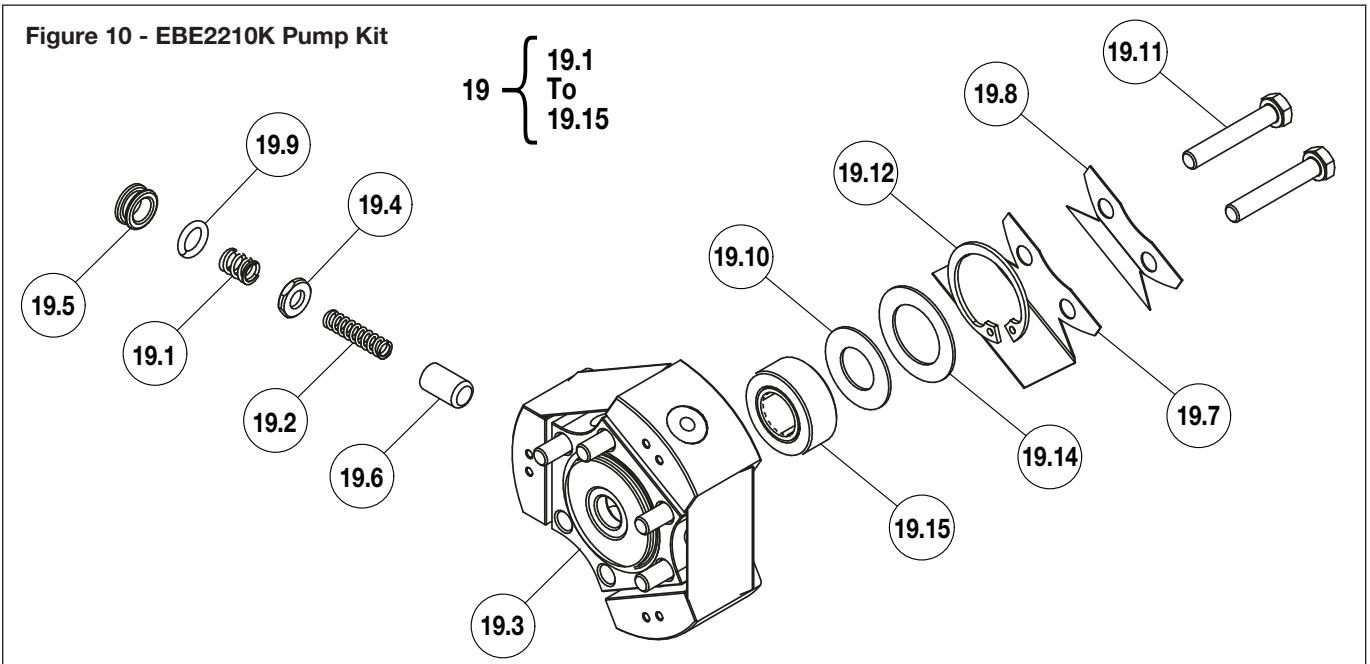


Parts List for Figure 9

Item No.	Qty.	Description
20	1	Tank Assembly

Note: Kit parts available only in kits. Items not sold separately.

Figure 10 - EBE2210K Pump Kit



Parts List for Figure 10

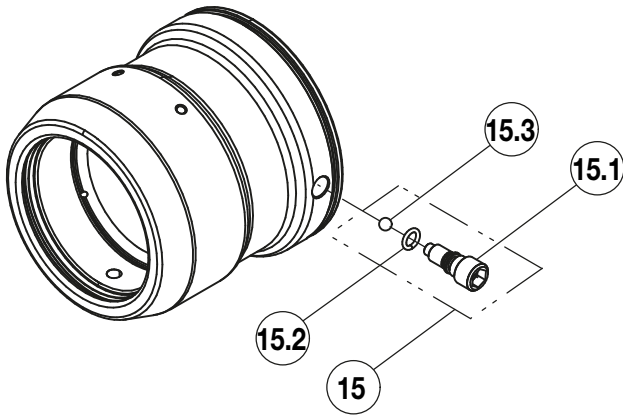
Item No.	Qty.	Description
19	1	Pump Assembly (includes parts 19.1 through 19.15)
19.1	3	Spring F.0.9 x e6.5 x 4.75 x Lo8.5
19.2	3	Spring F.0.8 x e5 x 11 x Lo20
19.3	1	Pump Body
19.4	3	Pump Valve
19.5	3	Valve Oil Cap
19.6	3	Pump Piston
19.7	3	Oil Filter

Parts List for Figure 10 (continued)

Item No.	Qty.	Description
19.8	3	Filter Support
19.9	3	O-Ring 6.75 x 1.78
19.10	1	Bearing R-R 12 x 24 x 9.8 INA RSTO 8
19.11	6	HXBT Screw M5 x 30 UNI 5739 Zn
19.12	1	Seeger Ring for Hole D=37 UNI 7437
19.13	1	Flat Washer 12.1 x 23 x 1
19.14	1	Flat Washer 17 x 26.8 x 1
19.15	1	Bearing R-R 12 x 24 x 9.8 INA RSTO 8

Note: Kit parts available only in kits. Items not sold separately.

Figure 11 - EBE2218K Release Valve Kit

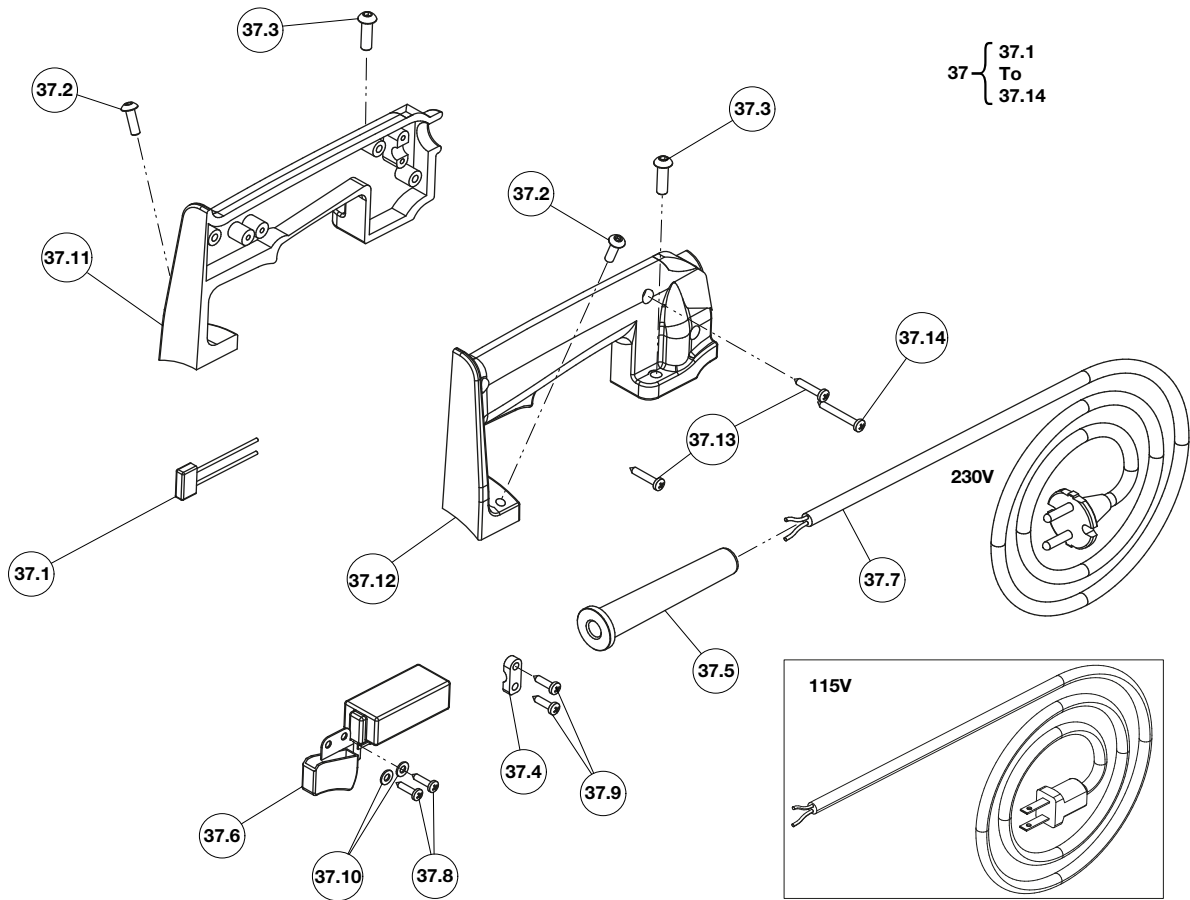


Parts List for Figure 11

Item No.	Qty.	Description
15	1	Manual Release Valve. (Includes items 15.1 through 15.3)
15.1	1	Manual Release Valve
15.2	1	O-Ring 610 6.75 x 1.78
15.3	1	Ball 7/32 d. 5.56

Note: Kit parts available only in kits. Items not sold separately.

Figure 12 - EBE2219K & EBE2204K Handle Kit



Parts List for Figure 12

Item No.	Qty.	Description
37	1	Handle Assembly (includes items 37.1 - 37.14)
37.1	1	Interference filter
37.2	2	Button Screw M5 x 16 10.9 UNI 7380 Zn
37.3	2	Button Screw M6 x 20 10.9 UNI 7380 Zn
37.4	1	Strain Relief Clamp
37.5	1	Grommet Sleeve
37.6	1	Switch (See Figure 14)
37.7	1	Power Supply Cable with Plug
37.8	2	Pan Head Screw 3.5 x 13 UNI 6954 Zn
37.9	2	Pan Head Screw 3.9 x 16 UNI 6954 Zn

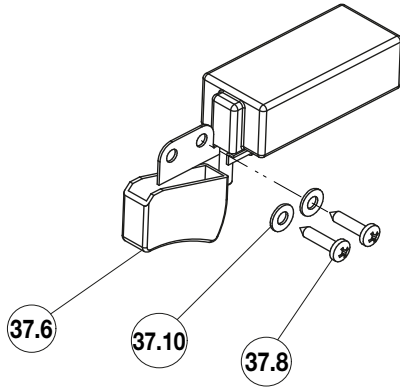
Parts List for Figure 12 (continued)

Item No.	Qty.	Description
37.10	2	Flat Washer M4 UNI 6592 Zn
37.11	1	Right Half-Handle
37.12	1	Left Half-Handle
37.13	2	Pan Head Screw 3.9 x 22 UNI 6954 Zn
37.14	1	Pan Head Screw 3.9 x 32 UNI 6954 Zn

Notes:

- Handle Kit EBE2219K - Includes parts for 115V cutter, Model EBE22B.
- Handle Kit EBE2204K - Includes parts for 230V cutter, Model EBE22E.
- Kit parts available only in kits. Items not sold separately.

Figure 13 - EBE2223K & EBE2203K Switch Kit



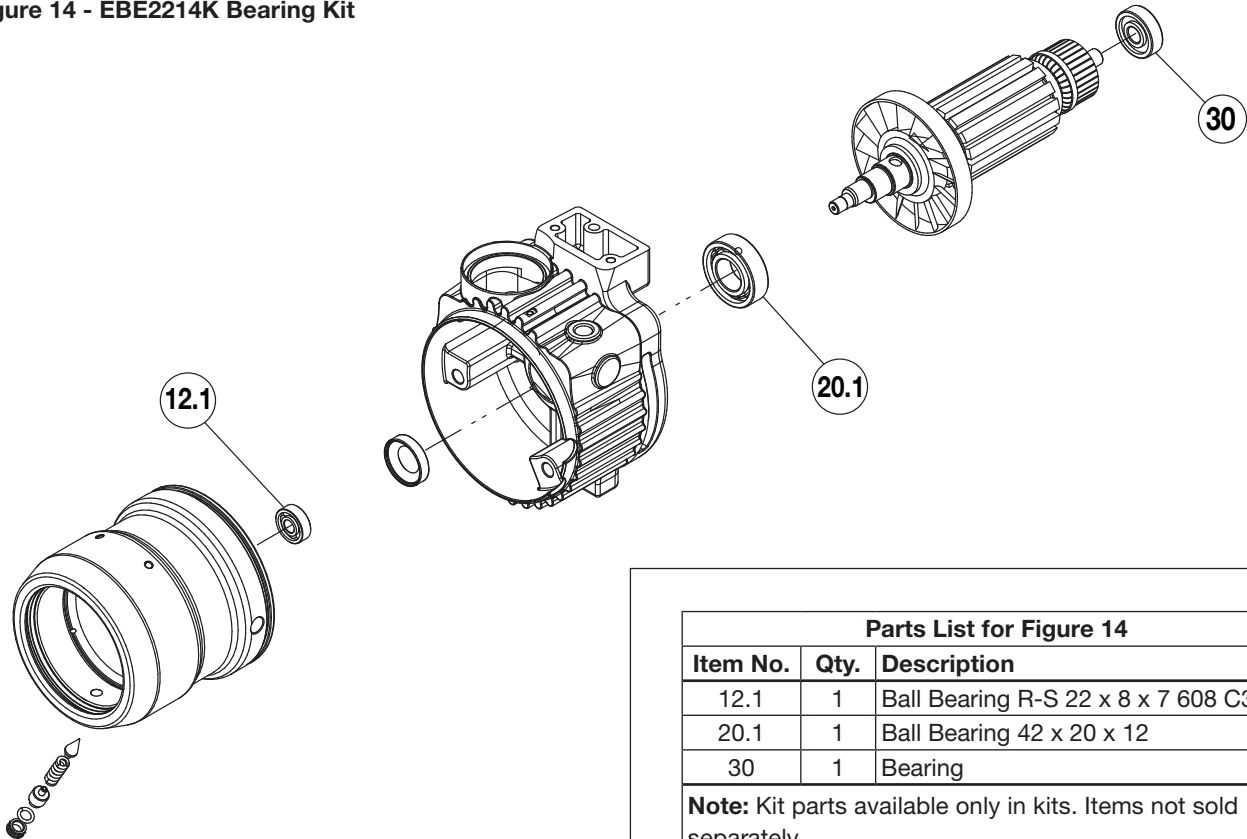
Parts List for Figure 13

Item No.	Qty.	Description
37.6	1	Switch
37.8	2	Pan Head Screw 3.5 x 13 UNI 6954 Zn
37.10	2	Flat Washer M4 UNI 6592 Zn

Notes:

- Switch Kit EBE2223K - Includes switch and hardware for 115V cutter, Model EBE22B.
- Switch Kit EBE2203K - Includes switch and hardware for 230V cutter, Model EBE22E.
- Kit parts available only in kits. Items not sold separately.

Figure 14 - EBE2214K Bearing Kit

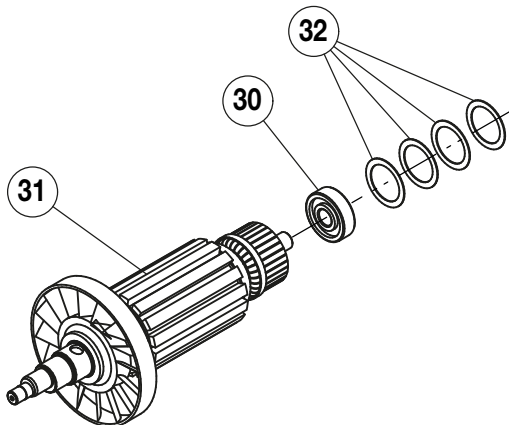


Parts List for Figure 14

Item No.	Qty.	Description
12.1	1	Ball Bearing R-S 22 x 8 x 7 608 C3
20.1	1	Ball Bearing 42 x 20 x 12
30	1	Bearing

Note: Kit parts available only in kits. Items not sold separately.

Figure 15 - EBE2220K & EBE2211K Rotor Kit



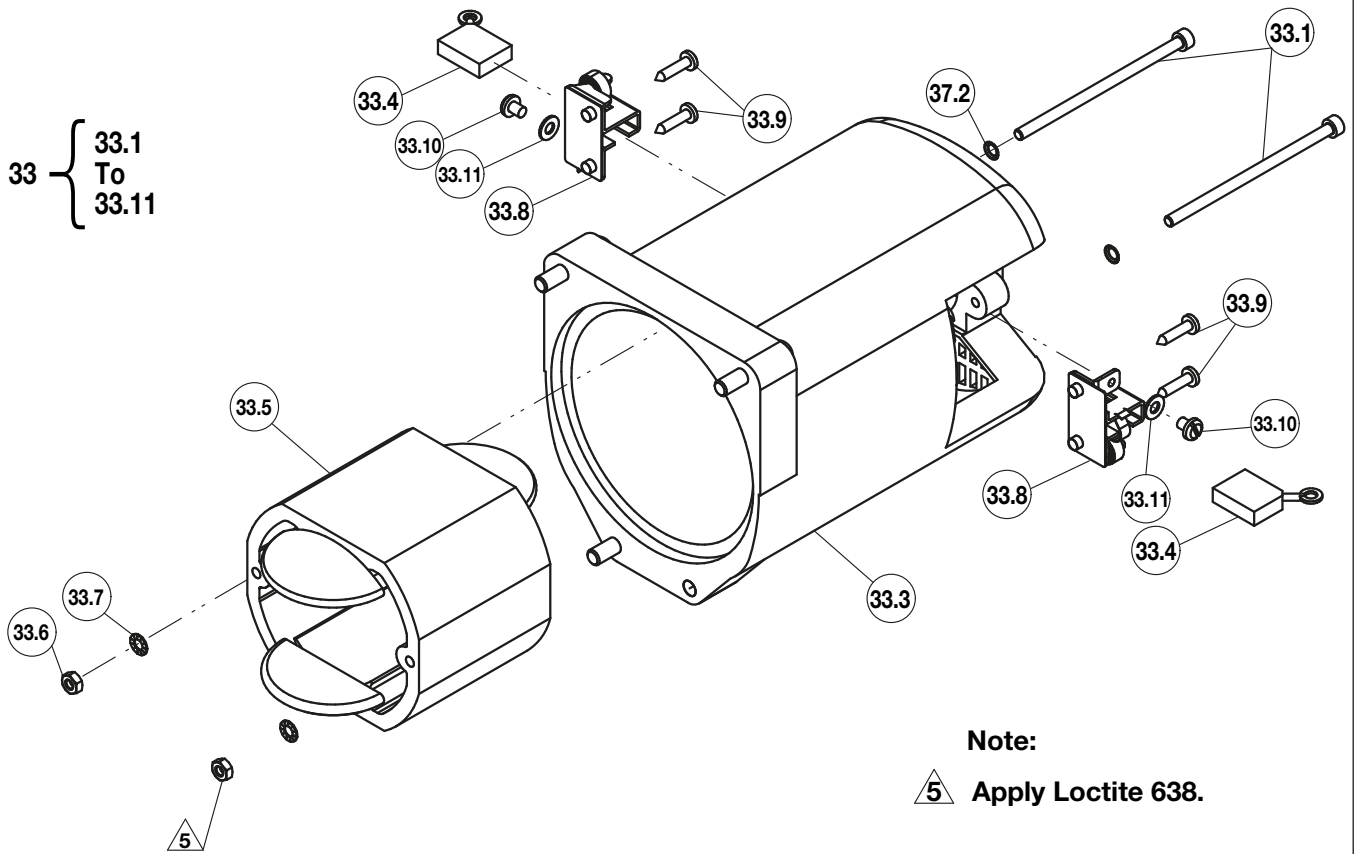
Parts List for Figure 15

Item No.	Qty.	Description
30	1	Bearing
31	1	Rotor Assembly
32	4	Compensating Ring 29.7 x 22.5 x 0.5

Notes:

- Rotor Kit EBE2220K - Includes parts for 115V cutter, Model EBE22B.
- Rotor Kit EBE2211K - Includes parts for 230V cutter, Model EBE22E.
- Kit parts available only in kits. Items not sold separately.

Figure 16 - EBE2212K & EBE221K Motor Kit



Note:

5 Apply Loctite 638.

Parts List for Figure 16

Item No.	Qty.	Description
33	1	Motor Assembly (Includes items 33.1 through 33.11)
33.1	2	Socket Cap Screw M4 x 80 UNI5931 Zn
33.2	2	Schnorr Washer M4 Zn
33.3	1	Motor Housing
33.4	2	Carbon Brush
33.5	1	Stator
33.6	2	Nut M4 UNI 5588 Zn
33.7	2	External Tooth Lock Washer D4
33.8	2	Brush Support Assembly MU22N
33.9	4	Pan Head Screw 3.5 x 16 UNI 6954 Zn

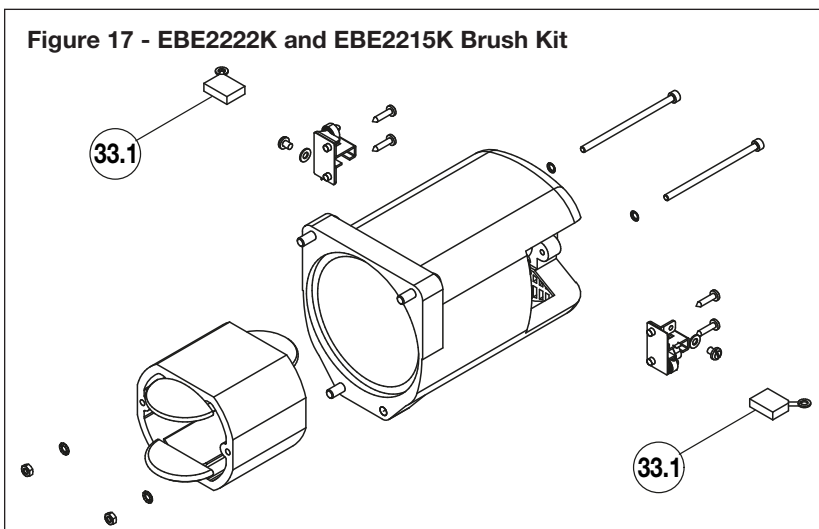
Parts List for Figure 16 (Continued)

Item No.	Qty.	Description
33.10	2	Screw TCTC M4 x 5 UNI 6107 Brass
33.11	2	Flat Washer M4 UNI 6592 Brass

Notes:

- Motor Kit EBE2221K - Includes parts used on 115V cutter, Model EBE22B.
- Motor Kit EBE2212K - Includes parts used on 230V cutter, Model EBE22E.
- Carbon Brush (item 33.4) and stator (item 33.5) are different for 115V and 230V models. Be sure to order the correct kit for your cutter model.
- Kit parts available only in kits. Items not sold separately.

Figure 17 - EBE2222K and EBE2215K Brush Kit



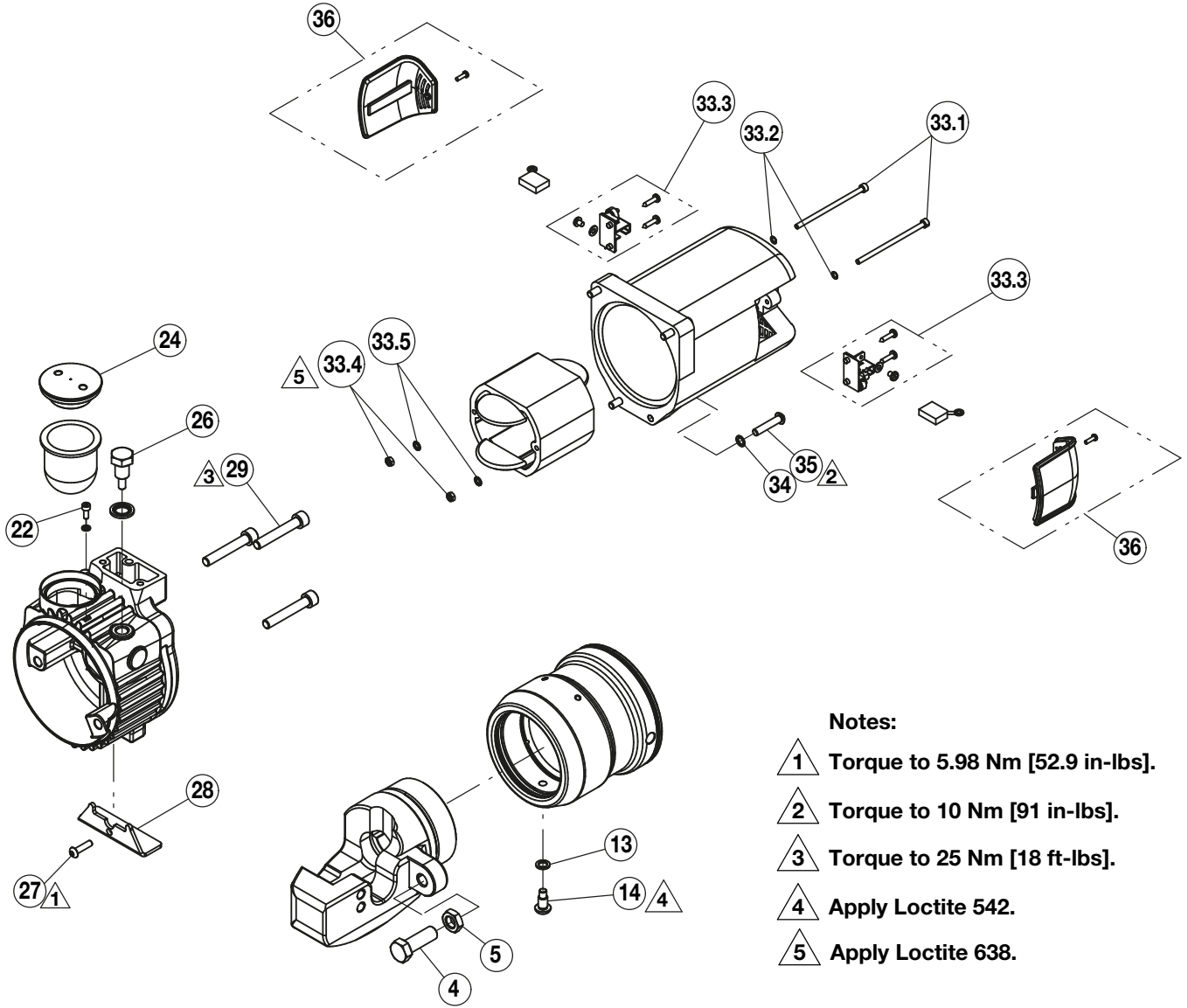
Parts List for Figure 17

Item No.	Qty.	Description
33.1	2	Carbon Brush

Notes:

- Brush Kit EBE2222K - Includes brushes used on 115V cutter, Model EBE22B.
- Brush Kit EBE2215K - Includes brushes used on 230V cutter, Model EBE22E.
- Carbon brushes are different for 115V and 230V models. Be sure to order the correct kit for your cutter model.

Figure 18 - EBE2217K Small Parts Kit



Notes:

- 1 Torque to 5.98 Nm [52.9 in-lbs].
- 2 Torque to 10 Nm [91 in-lbs].
- 3 Torque to 25 Nm [18 ft-lbs].
- 4 Apply Loctite 542.
- 5 Apply Loctite 638.

Parts List for Figure 18		
Item No.	Qty.	Description
4	1	HXBT Screw M12 x 35 UNI 5739 Zn
5	1	Nut M12 5589 Zn
13	1	Flat Washer 8 x 12 x 1.4 Copper
14	1	Positioning Screw
22	1	Socket Cap Screw M4 x 10 UNI 5931 Zn
24	1	Diaphragm Housing Lid
26	1	Magnetic Filter
27	1	Button Screw M5 x 20 10.9 UNI 7380 Zn
28	1	Stand-Off Bracket
29	3	Socket Cap Screw M8 x 50 UNI 5931 Zn
33.1	2	Socket Cap Screw M4 x 80 UNI5931 Zn
33.2	2	Schnorr Washer M4 Zn
33.3	2	Brush Holder
33.4	2	Nut M4 UNI 5588 Zn
33.5	2	External Tooth Lock Washer D. 4
34	4	Shnorr Washer M6 Zn
35	4	Button Screw M6 x 30 10.9 UNI 7380 Zn
36	2	Brush Cover Assembly

Note: Kit parts available only in kits. Items not sold separately.

Figure 19 - DKSCOMP Decal Kit

Notes:

- The decal kit contains decals used on many different cutter models.
- Replace only the decals used on your cutter. Discard the remaining decals in the kit.