



Repair Parts Sheet

Cutter / Spreader
Model ECSE300B & ECSE300E

Document Number	Document Revision	Document Revision Date	Product Date Code Beginning With
L4328	D	12/2019	A

To Protect Your Warranty, Use Only ENERPAC Hydraulic Oil.

Enerpac recommends that all kit components be installed to insure optimum performance of the repaired product.

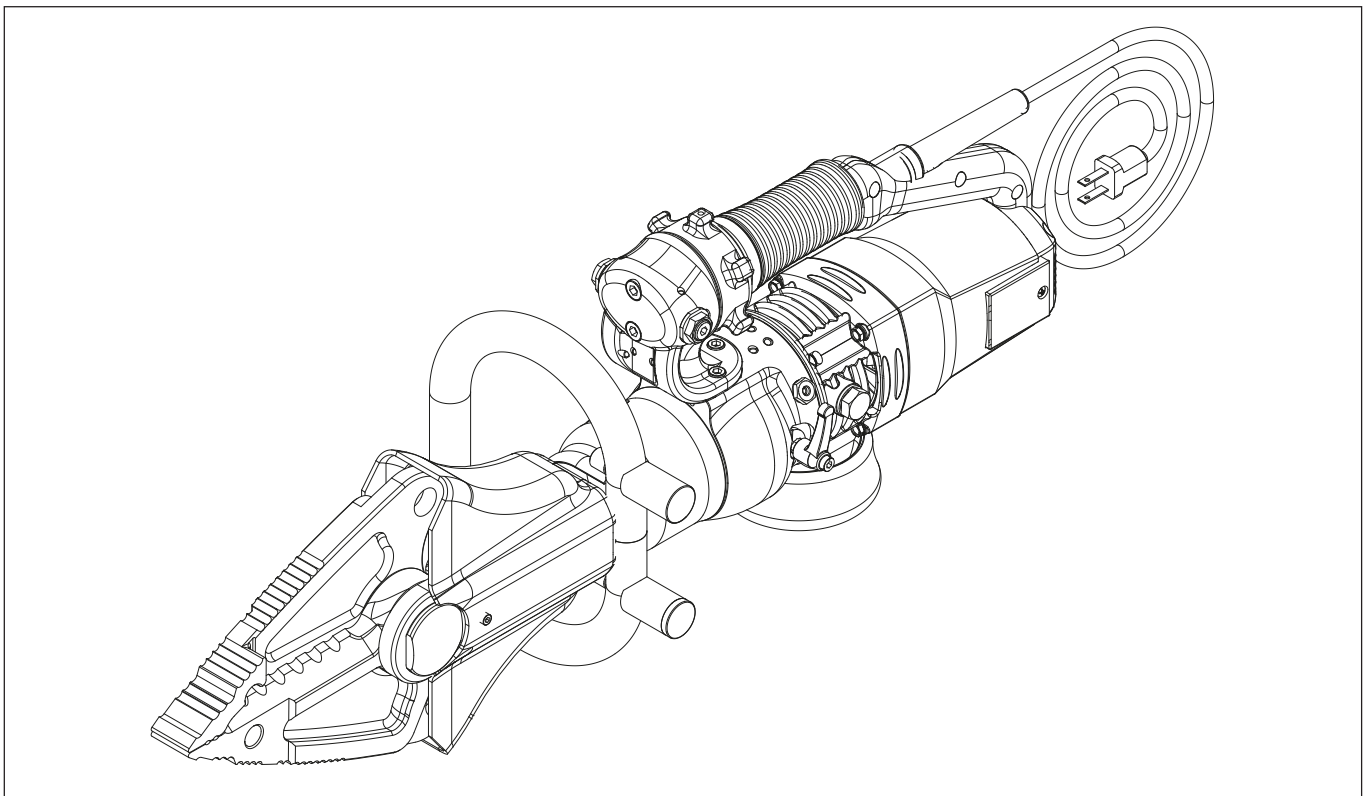


Table of Contents:

	Page	Page
Figure 1 - ECSE300 Cutter / Spreader, Exploded View	2	Figure 14 - ECSE30014K Grip Kit 9
Figure 2 - ECSE30001K Jaw Kit	4	Figure 15 - ECSE30015K Foot Kit 9
Figure 3 - ECSE30002K Linkage Kit	4	Figure 16 - ECSE30019K Seal Kit 10
Figure 4 - ECSE30016K Pin Kit	5	Figure 17 - ECSE30020K Small Parts Kit 11
Figure 5 - ECSE30005K Cylinder Body Kit	5	Figure 18 - ECSE30022K Valve Grip Guard Kit 11
Figure 6 - ECSE30003K Cover Kit	6	Figure 19 - ECSE30011K Tank Kit 12
Figure 7 - ECSE30004K Light Kit	6	Figure 20 - ECSE30010K Distributor Kit 12
Figure 8 - ECSE30006K Lift Kit	6	Figure 21 - ECCE2617K Bearing Kit 13
Figure 9 - ECSE30008K Cylinder Bottom Kit	7	Figure 22 - ECSE30021K & ECSE30018K Handle Kit 13
Figure 10 - ECSE30007K Piston Kit	7	Figure 23 - ECCE2615K & ECCE2621K Motor Kit 14
Figure 11 - ECSE30009K Valve Kit	8	Figure 24 - ECCE2614K & ECCE2620K Rotor Kit 15
Figure 12 - ECSE30012K Switch Kit	8	Figure 25 - EBE2215K & EBE2222K Brush Kit 15
Figure 13 - ECSE30013K Switch Housing Kit	9	Figure 26 - DKSCOMP Decal Kit 16

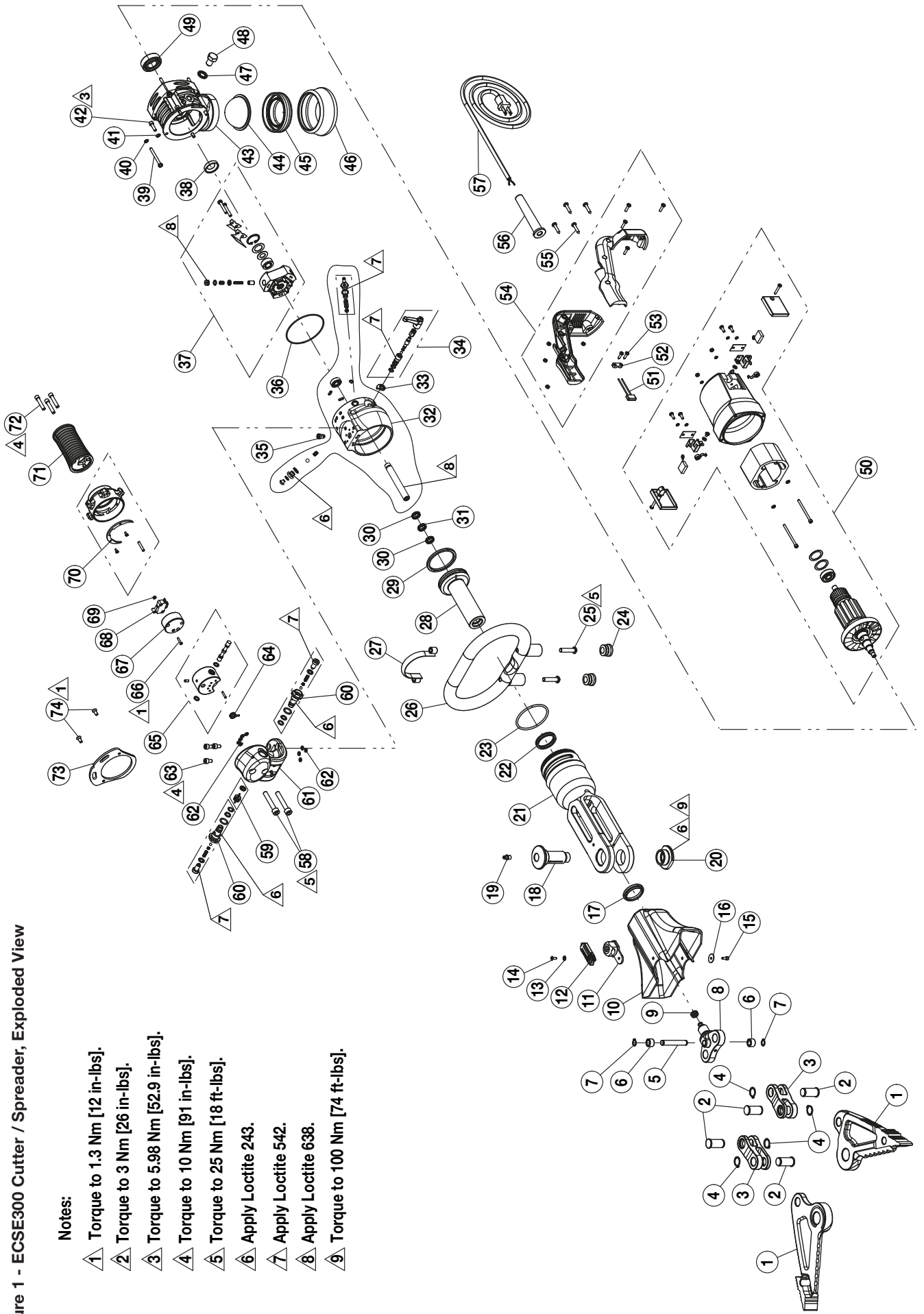
⚠ WARNING Be certain that that cutter is disconnected from AC power supply before beginning any adjustment, maintenance or repair procedures. Appropriate shop safety procedures are to be followed during disassembly and reassembly to minimize any possibility of injury.

Note: Parts kits, components and product features described in this document are subject to change without notice.

Figure 1 - ECSE300 Cutter / Spreader, Exploded View

Notes:

- ▲ 1 Torque to 1.3 Nm [12 in-lbs].
- ▲ 2 Torque to 3 Nm [26 in-lbs].
- ▲ 3 Torque to 5.98 Nm [52.9 in-lbs].
- ▲ 4 Torque to 10 Nm [91 in-lbs].
- ▲ 5 Torque to 25 Nm [18 ft-lbs].
- ▲ 6 Apply Loctite 243.
- ▲ 7 Apply Loctite 542.
- ▲ 8 Apply Loctite 638.
- ▲ 9 Torque to 100 Nm [74 ft-lbs].



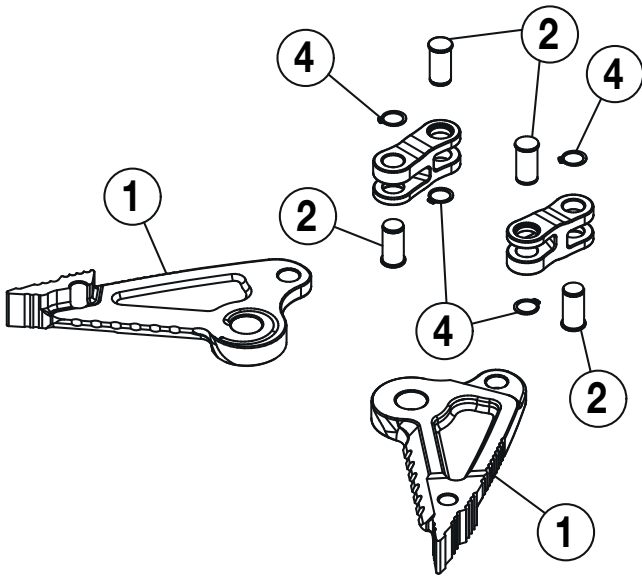
Repair Parts List for Figure 1		
Item No.	Qty.	Description
1	2	Blade
2	4	Lever Pin
3	2	Jaw Links
4	4	Seeger Ring for Shaft D=17 UNI7435
5	1	Sliding Pin
6	2	Sliding Bushing
7	2	Seeger Ring for Shaft D=10 UNI7435
8	1	Blades Yoke
9	1	Gasket 15 x 8 x 6.5
10	1	Blades Rubber Guard
11	1	Support, Lamp Assembly
12	1	Light
13	1	Flat Washer M4
14	1	Button Screw M4 x 10 UNI 7380 Zn
15	1	Socket Cap Screw M4 x 10 UNI 5931 Zn
16	1	Flat Washer
17	1	Dust Seal 44.7 x 36 x 5.4
18	1	Pin
19	1	Grease Nipple M8 x 1
20	1	Sleeve
21	1	Cylinder
22	1	Gasket 44 x 36 x 6.5
23	1	O-Ring 66.27 x 3.53
24	2	Plastic Plug
25	2	Button Screw M8 x 35 UNI 7380 Zn
26	1	Handle Assembly
27	1	Bracket
28	1	Piston
29	1	Gasket NPU 070 65 x 54 x 4.2
30	2	Backup Ring

Repair Parts List for Figure 1 (Continued)		
Item No.	Qty.	Description
31	1	O-Ring 13.5 x 3 80SH
32	1	Piston Rear End Assembly
33	1	Anti-Rotation Valve Washer
34	1	Unlocking Valve Assembly
35	1	Socket Cap Screw M8 x 10.7 Turned
36	1	O-Ring 82.27 x 1.78
37	1	Pump Assembly
38	1	Oil Seal 17 x 30 x 7
39	4	Stainless Hex Screw D.4.8 x 32 UNI 7976
40	4	Grower Washer M5 UNI 1751 Zn
41	4	Schnorr Washer M5 Zn
42	4	Socket Cap Screw M5 x 18 UNI 5931 Zn
43	1	Tank
44	1	Diaphragm
45	1	Diaphragm Housing Lid
46	1	Rubber Support
47	1	Bonded Seal Washer 1/4"
48	1	Magnetic Filter
49	1	Ball Bearing 42 x 20 x 12
50	1	Motor Assembly MU16
51	1	Interference Filter
52	1	Strain Relief Clamp
53	2	Pan Head Screw 3.9 x 16 UNI 6954 Zn
54	1	Handle Assembly
55	4	Pan Head Screw 4.8 x 25 UNI 6954 Zn
56	1	Grommet Sleeve
57	1	Power Supply Cable With Plug
58	2	Socket Cap Screw
59	1	Piston + Gasket Assembly
60	2	Check Valve Assembly

Repair Parts List for Figure 1 (Continued)		
Item No.	Qty.	Description
61	1	Control Valve Housing
62	9	O-Ring 4.48 x 1.78 90 SH
63	3	Socket Cap Screw M6 x 12 UNI 5931 Zn
64	1	Spring F.1.7 x i9.3 x 3
65	1	Distributor Assembly
66	1	Countersunk Head Screw
67	1	Insulating Housing
68	1	Micro-Switch
69	1	Nut M3 UNI 5588 Zn
70	1	Control Valve Grip
71	1	Grip
72	3	Socket Cap Screw M6 x 30 UNI 5931 Zn Turned
73	1	Control Valve Grip Guard
74	2	Screw TSEI M4 x 10 10.9 UNI 5933 Zn

Note: Refer to Figures 2 through 26 for cutter repair kit parts diagrams and additional information.

Figure 2 - ECSE30001K Jaw Kit

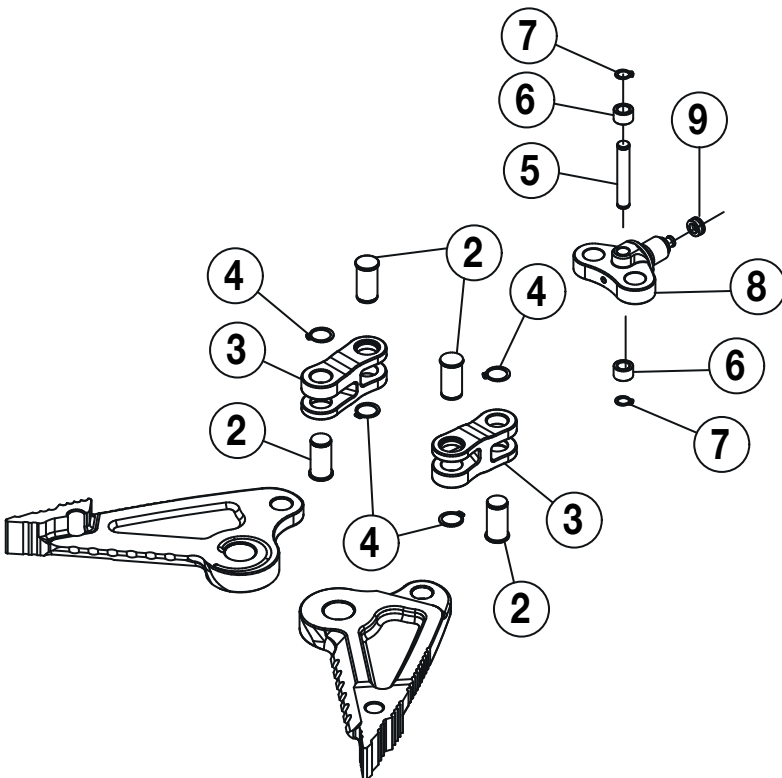


Parts List for Figure 2

Item No.	Qty.	Description
1	2	Blade
2	4	Lever Pin
4	4	Seeger Ring for Shaft D=17 UNI7435

Note: Kit parts available only in kits. Items not sold separately.

Figure 3 - ECSE30002K Linkage Kit

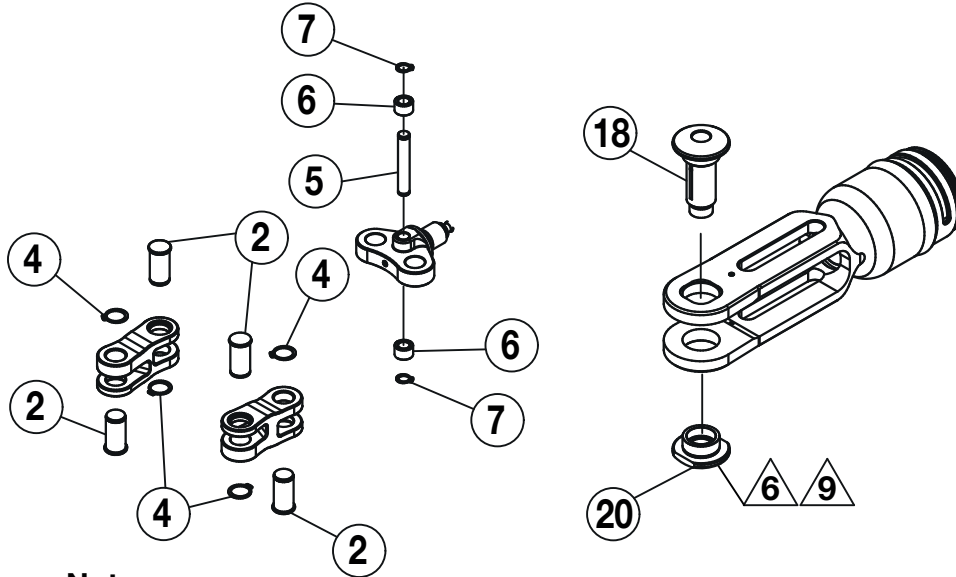


Parts List for Figure 3

Item No.	Qty.	Description
2	4	Lever Pin
3	2	Jaw Links
4	4	Seeger Ring for Shaft D=17 UNI7435
5	1	Sliding Pin
6	2	Sliding Bushing
7	2	Seeger Ring for Shaft D=10 UNI7435
8	1	Blades Yoke
9	1	Gasket 15 x 8 x 6.5

Note: Kit parts available only in kits. Items not sold separately.

Figure 4 - ECSE30016K Pin Kit



Notes:

▲ 6 Apply Loctite 243.

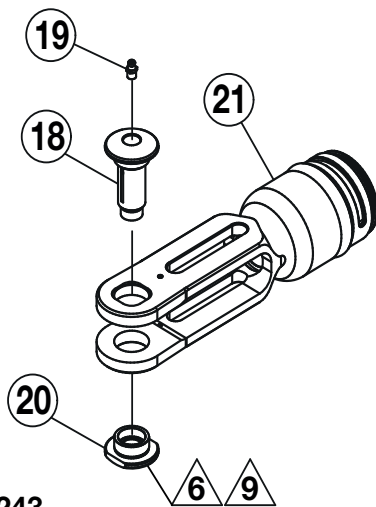
▲ 9 Torque to 100 Nm [74 ft-lbs].

Parts List for Figure 4

Item No.	Qty.	Description
2	4	Lever Pin
4	4	Seeger Ring for Shaft D=17 UNI7435
5	1	Sliding Pin
6	2	Sliding Bushing
7	2	Seeger Ring for Shaft D=10 UNI7435
18	1	Pin
20	1	Sleeve

Note: Kit parts available only in kits. Items not sold separately.

Figure 5 - ECSE30005K Cylinder Body Kit



Notes:

▲ 6 Apply Loctite 243.

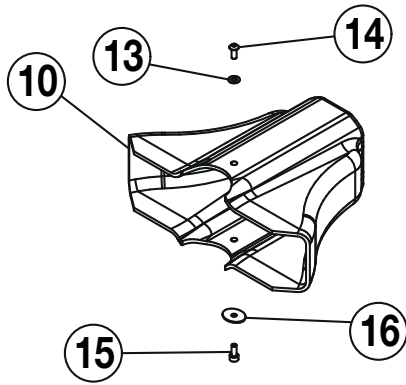
▲ 9 Torque to 100 Nm [74 ft-lbs].

Parts List for Figure 5

Item No.	Qty.	Description
18	1	Pin
19	1	Grease Nipple M8 x 1
20	1	Sleeve
21	1	Cylinder

Note: Kit parts available only in kits. Items not sold separately.

Figure 6 - ECSE30003K Cover Kit

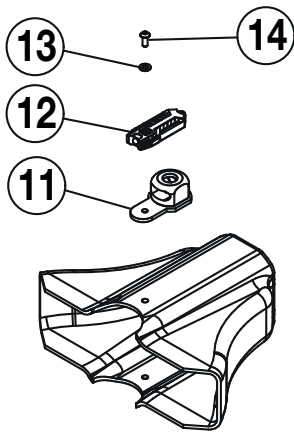


Parts List for Figure 6

Item No.	Qty.	Description
10	1	Blade Rubber Guard
13	1	Flat Washer M4
14	1	Button Screw M4 x 10 UNI 7380 Zn
15	1	Socket Cap Screw M4 x 10 UNI 5931 Zn
16	1	Flat Washer

Note: Kit parts available only in kits. Items not sold separately.

Figure 7 - ECSE30004K Light Kit

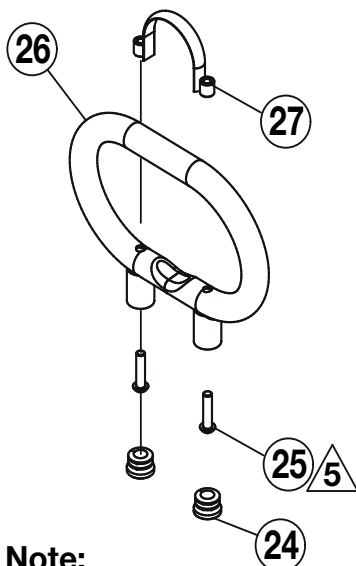


Parts List for Figure 7

Item No.	Qty.	Description
11	1	Support, Light Assembly
12	1	Light
13	1	Flat Washer M4
14	1	Socket Cap Screw M4 x 10 UNI 7380 Zn

Note: Kit parts available only in kits. Items not sold separately.

Figure 8 - ECSE30006K Lift Kit



Note:

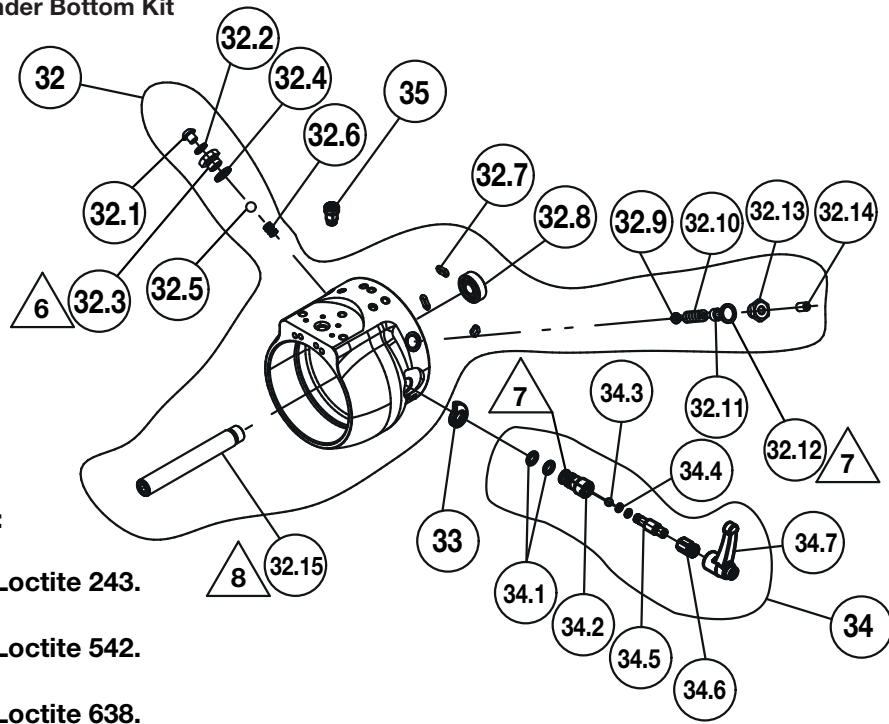
5 Torque to 25 Nm [18 ft-lbs].

Parts List for Figure 8

Item No.	Qty.	Description
24	2	Plastic Plug
25	2	Button Screw M8 x 35 UNI 7380 Zn
26	1	Handle Assembly
27	1	Bracket

Note: Kit parts available only in kits. Items not sold separately.

Figure 9 - ECSE30008K Cylinder Bottom Kit



Notes:

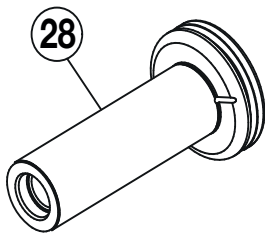
-  **6** Apply Loctite 243.
-  **7** Apply Loctite 542.
-  **8** Apply Loctite 638.

Parts List for Figure 9		
Item No.	Qty.	Description
32	1	Piston Rear End Assembly
32.1	1	Button Screw M6 x 6 ISO 7380 Stainless
32.2	1	Flat Washer 6.3 x 9.8 x 1.4 Copper
32.3	1	Cap Valve M10 x 13.8 x 1.5 Copper
32.4	1	Flat Washer 10.4 x 13.8 x 1.5 Copper
32.5	1	Ball D.5
32.6	1	Spring F.0.9 x e6.5 x 4.75 x Lo8.5 Grounded
32.7	3	O-Ring 6.07 x 1.78
32.8	1	Ball Bearing 22 x 8 x 7 608 C3
32.9	1	Socket Cap Screw M6 x 10 Flat
32.10	1	Spring F.2 x e8 x 7 x Lo20.5 Grounded
32.11	1	Piston
32.12	1	Flat Washer 10.4 x 13.8 x 1.5 Copper
32.13	1	Cap With Hole M10 x 1 M6

Parts List for Figure 9 (Continued)		
Item No.	Qty.	Description
32.14	1	Socket Cap Screw M6 x 10 Flat
32.15	1	Oil Return Pipe
33	1	Anti-Rotation Valve Washer
34	1	Unlocking Valve Assembly
34.1	2	O-Ring 6.75 x 1.78
34.2	1	Body Valve
34.3	1	Ball D.6
34.4	1	O-Ring 3 x 1.5
34.5	1	Valve Shaft
34.6	1	Hexagonal Shaft
34.7	1	Valve Lever Unlocking
35	1	Socket Cap Screw M8 x 10.7 Turned

Note: Kit parts available only in kits. Items not sold separately.

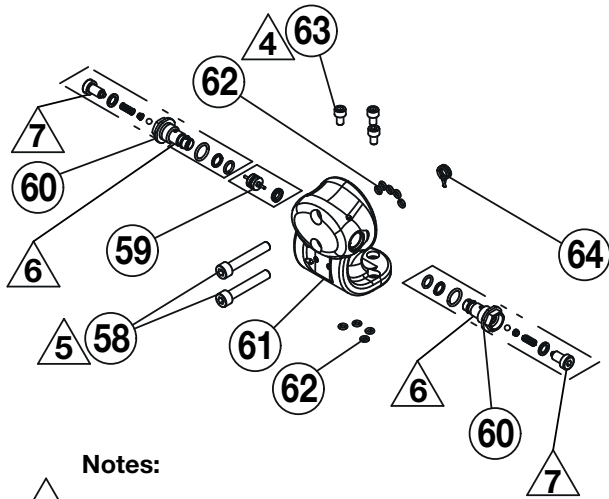
Figure 10 - ECSE3007K Piston Kit



Parts List for Figure 10		
Item No.	Qty.	Description
28	1	Piston

Note: This kit contains only one part.

Figure 11 - ECSE30009K Valve Kit



Notes:

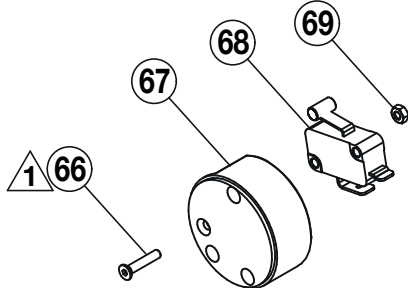
- 4** Torque to 10 Nm [91 in-lbs].
- 5** Torque to 25 Nm [18 ft-lbs].
- 6** Apply Loctite 243.
- 7** Apply Loctite 542.

Parts List for Figure 11

Item No.	Qty.	Description
58	2	Socket Cap Screw
59	1	Piston + Gasket Assembly
60	2	Check Valve Assembly
61	1	Control Valve Housing
62	9	O-Ring 4.48 x 1.78 90 SH
63	3	Socket Cap Screw M6 x 12 UNI 5931 Zn
64	1	Spring F.1.7 x i9.3 x 3

Note: Kit parts available only in kits. Items not sold separately.

Figure 12 - ECSE30012K Switch Kit



Note:

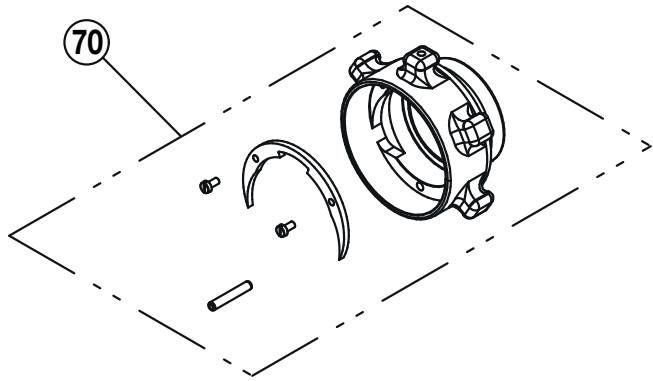
- 1** Torque to 1.3 Nm [12 in-lbs].

Parts List for Figure 12

Item No.	Qty.	Description
66	1	Countersunk Head Screw
67	1	Insulating Housing
68	1	Micro-Switch
69	1	Nut M3 UNI 5588 Zn

Note: Kit parts available only in kits. Items not sold separately.

Figure 13 - ECSE30013K Switch Housing Kit

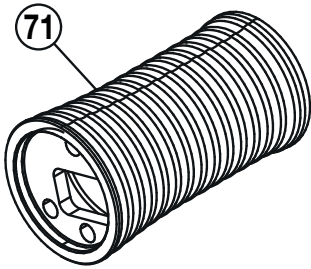


Parts List for Figure 13

Item No.	Qty.	Description
70	1	Control Valve Grip

Note: Kit parts available only in kits. Items not sold separately.

Figure 14 - ECSE30014K Grip Kit

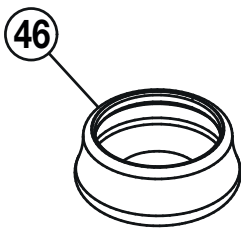


Parts List for Figure 14

Item No.	Qty.	Description
71	1	Grip

Note: This kit contains only one part.

Figure 15 - ECSE30015K Foot Kit

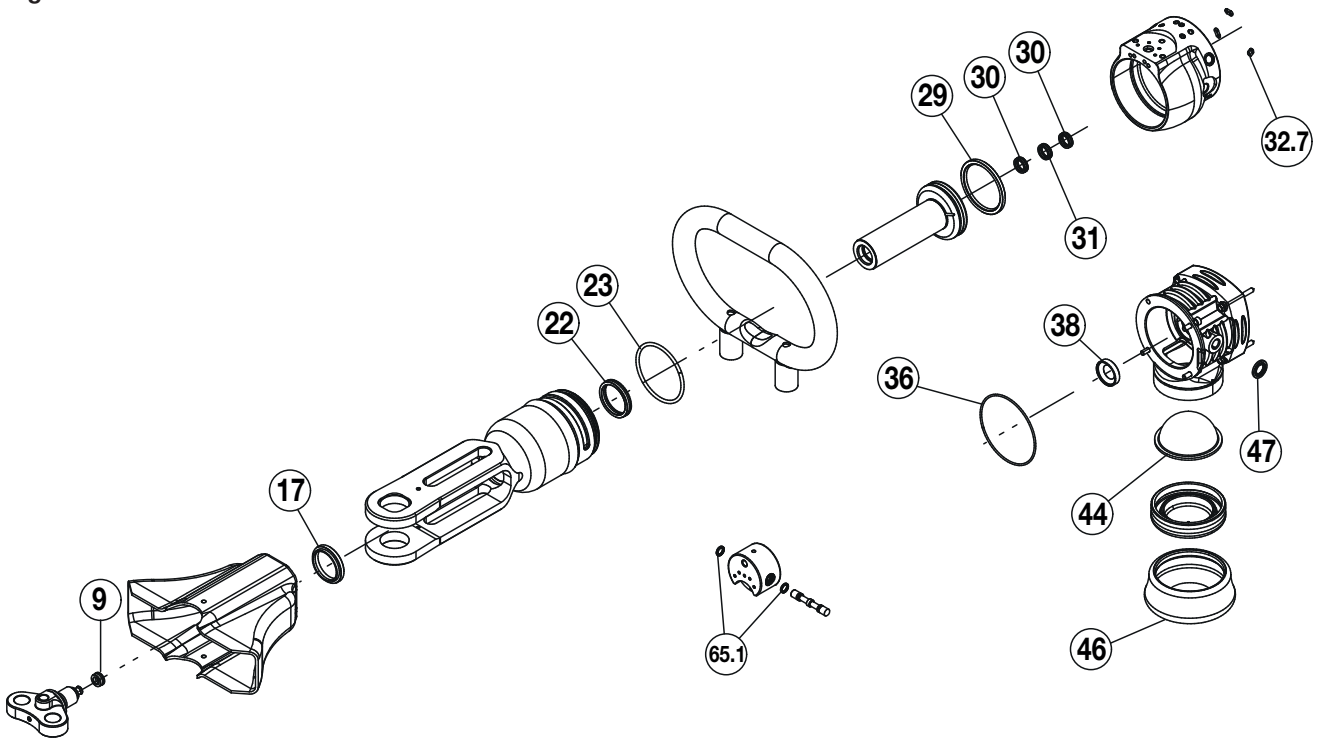


Parts List for Figure 15

Item No.	Qty.	Description
46	1	Rubber Support

Note: This kit contains only one part.

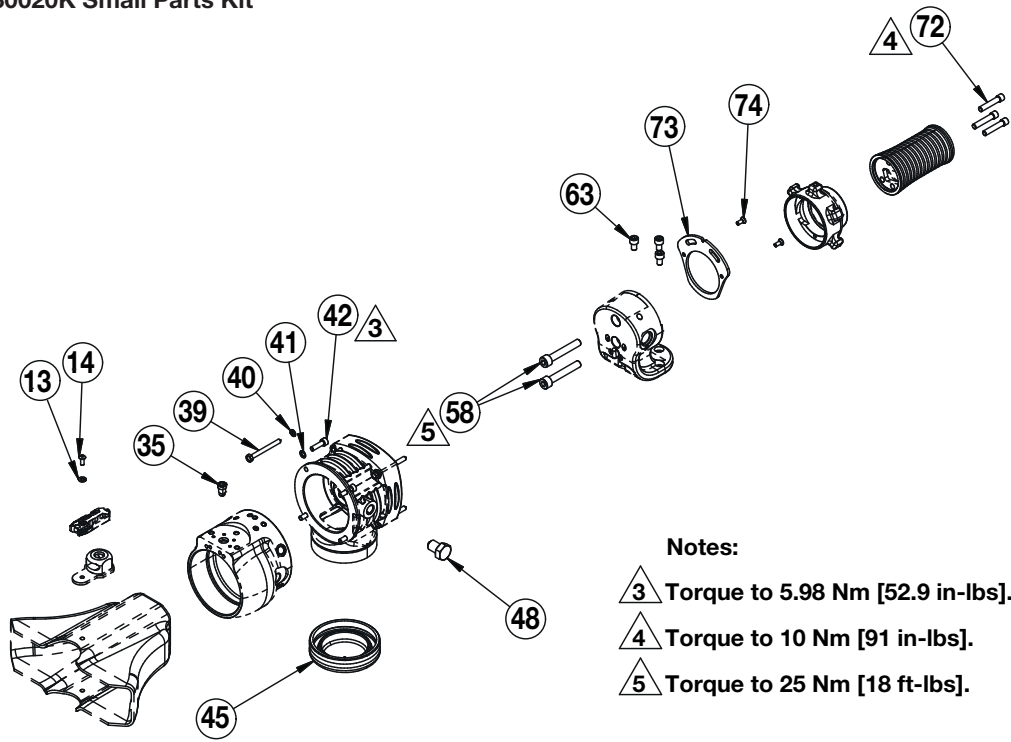
Figure 16 - ECSE30019K Seal Kit



Parts List for Figure 16		
Item No.	Qty.	Description
9	1	Gasket 15 x 8 x 6.5
17	1	Dust Seal 44.7 x 36 x 5.4
22	1	Gasket 44 x 36 x 6.5
23	1	O-Ring 66.27 x 3.53
29	1	Gasket NPU 070 65 x 54 x 4.2
30	2	Backup Ring
31	1	O-Ring 13.5 x 3 80SH
32.7	3	O-Ring 6.07 x 1.78
36	1	O-Ring 82.27 x 1.78
38	1	Oil Seal 17 x 30 x 7
44	1	Diaphragm
46	1	Rubber Support
47	1	Bonded Seal Washer 1/4"
65.1	2	Quad Ring 8.2 x 1.78

Note: Kit parts available only in kits. Items not sold separately.

Figure 17 - ECSE30020K Small Parts Kit



Notes:

- △3 Torque to 5.98 Nm [52.9 in-lbs].
- △4 Torque to 10 Nm [91 in-lbs].
- △5 Torque to 25 Nm [18 ft-lbs].

Parts List for Figure 17		
Item No.	Qty.	Description
13	1	Flat Washer M4
14	1	Button Screw M4 x 10 UNI 7380 Zn
15	1	Socket Cap Screw M4 x 10 UNI 5931 Zn
16	1	Flat Washer
35	1	Socket Cap Screw M8 x 10.7 Turned
39	4	Stainless Hex Head Screw D.4.8 x 32 UNI 7976
40	4	Grower Washer M5 UNI 1751 Zn
41	4	Schnorr Washer M5 Zn
42	4	Socket Cap Screw M5 x 18 UNI 5931 Zn

Parts List for Figure 17 (Continued)		
Item No.	Qty.	Description
45	1	Diaphragm Housing Lid
48	1	Magnetic Filter
58	2	Socket Cap Screw
63	3	Socket Cap Screw M6 x 12 UNI 5931 Zn
72	3	Socket Cap Screw M6 x 30 UNI 5931 Zn Turned
73	1	Control Valve Grip Guard
74	2	Screw TSEI M4 x 10 10.9 UNI 5993 Zn

Note: Kit parts available only in kits.
Items not sold separately.

Parts List for Figure 18		
Item No.	Qty.	Description
73	1	Control Valve Grip Guard
74	2	Screw TSEI M4 x 10 10.9 UNI 5993 Zn

Note: Kit parts available only in kits.
Items not sold separately.

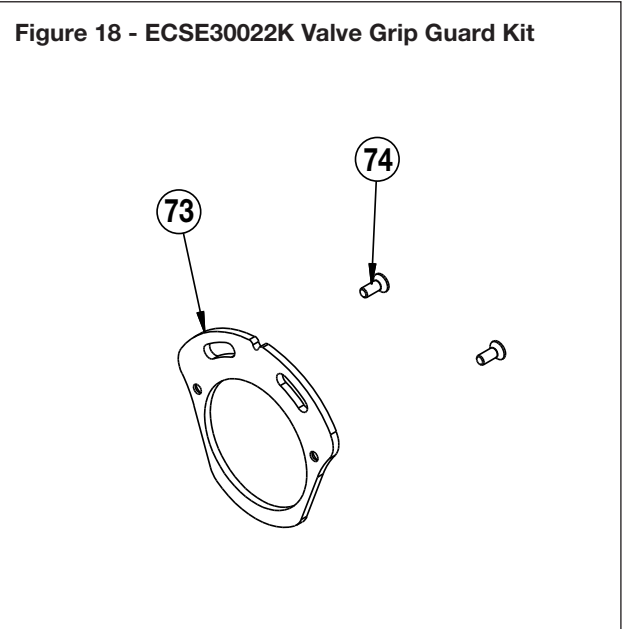
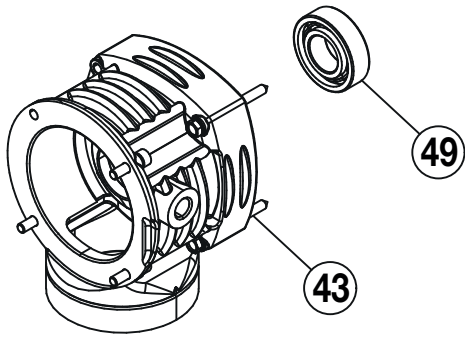


Figure 19 - ECSE30011K Tank Kit

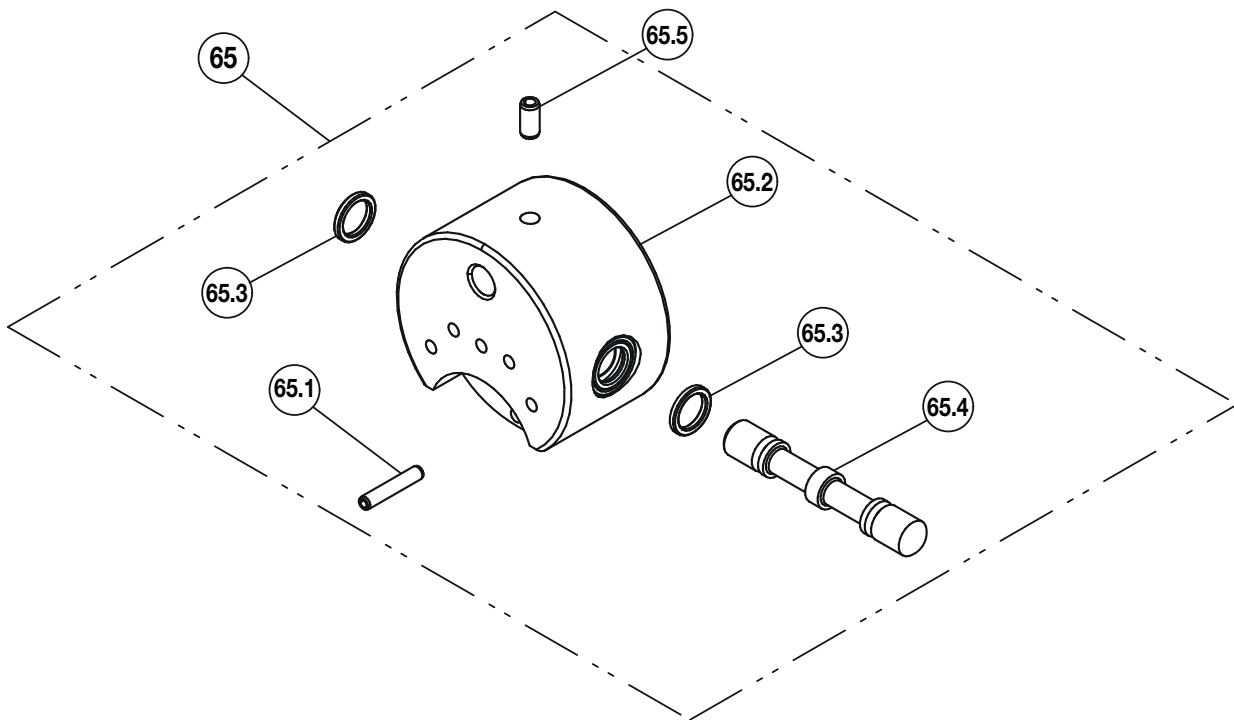


Parts List for Figure 19

Item No.	Qty.	Description
43	1	Tank
49	1	Ball Bearing 42 x 20 x 12

Note: Kit parts available only in kits. Items not sold separately.

Figure 20 - ECSE30010K Distributor Kit

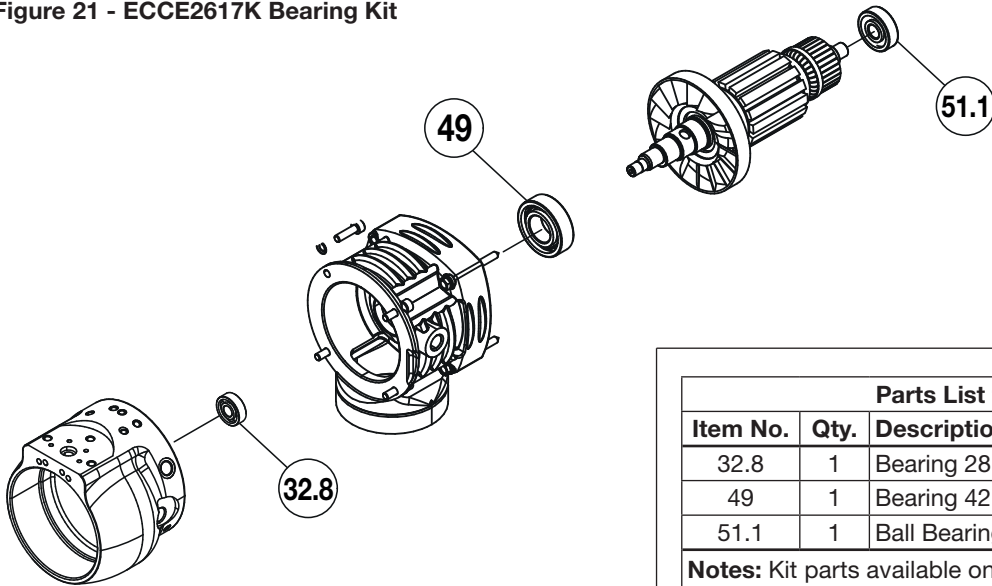


Parts List for Figure 20

Item No.	Qty.	Description
65	1	Distributor Assembly (includes items 65.1 to 65.5)
65.1	1	Spring Pin 3 x 16 UNI 6873
65.2	1	Distributor Assembly
65.3	2	Quad Ring 8.2 x 1.78
65.4	1	Valve Slider
65.5	1	Spring Pin 4 x 8 UNI 6873

Note: Kit parts available only in kits. Items not sold separately.

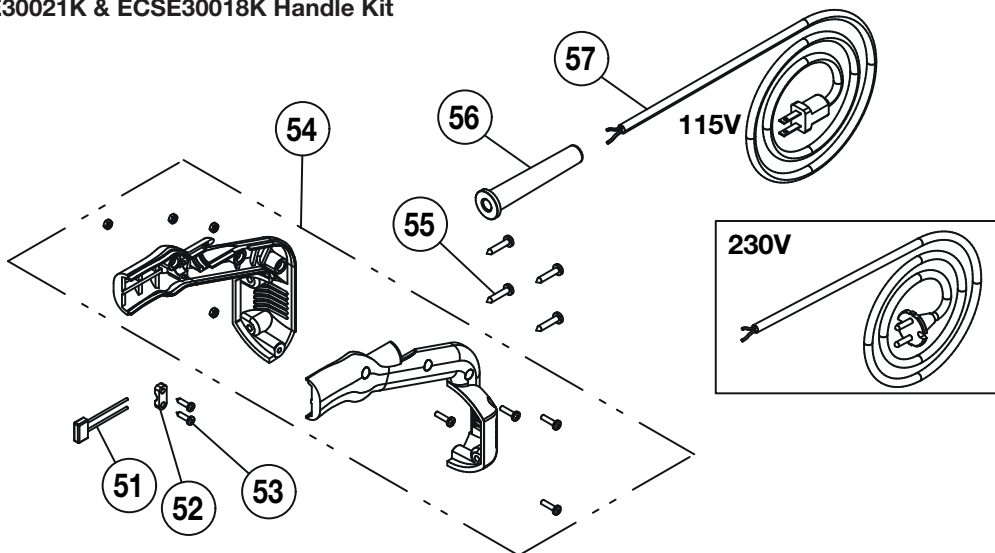
Figure 21 - ECCE2617K Bearing Kit



Parts List for Figure 21		
Item No.	Qty.	Description
32.8	1	Bearing 28 x 8 x 9
49	1	Bearing 42 x 20 x 12
51.1	1	Ball Bearing R-S 6200 30 x 10 x 9 ZZ C3

Notes: Kit parts available only in kits. Items not sold separately.

Figure 22 - ECSE30021K & ECSE30018K Handle Kit

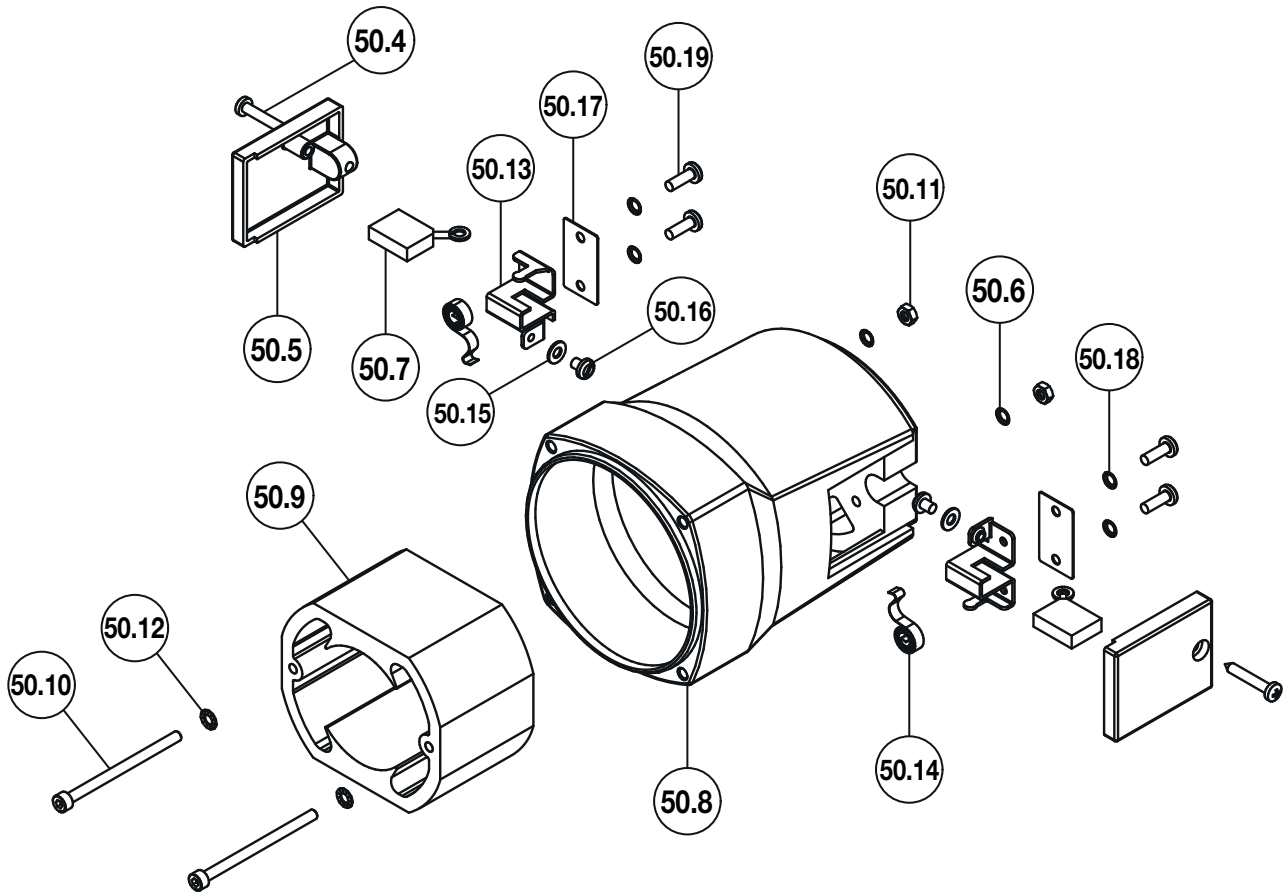


Parts List for Figure 22		
Item No.	Qty.	Description
51	1	Interference Filter
52	1	Strain Relief Clamp
53	2	Pan Head Screw 3.9 x 16 UNI 6954 Zn
54	1	Handle Assembly
55	4	Pan Head Screw 4.8 x 25 UNI 6954 Zn
56	1	Grommet Sleeve
57	1	Power Supply Cable with Plug

Notes:

- Bearing Kit ECSE30021K - Includes parts for 115V cutter, Model ECSE300B.
- Bearing Kit ECSE30018K - Includes parts for 230V cutter, Model ECSE300E.
- Kit parts available only in kits. Items not sold separately.

Figure 23 - ECCE2615K & ECCE2621K Motor Kit

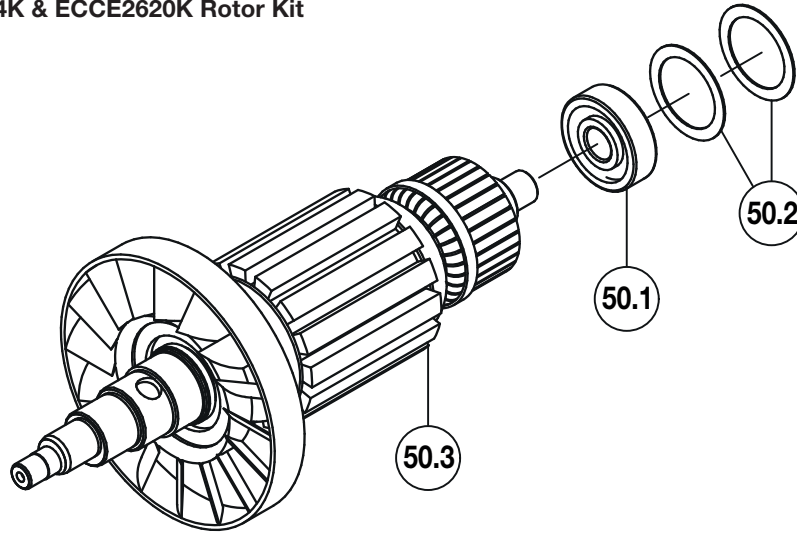


Parts List for Figure 23		
Item No.	Qty.	Description
50.4	2	Brush Cover
50.5	2	Pan Head Screw 3.9 x 25 UNI 6954 Zn
50.6	2	Schnorr Washer M4 Zn
50.7	2	Carbon Brush
50.8	1	Motor Housing MU16
50.9	1	Stator MU16
50.10	2	Socket Cap Screw M4 x 60 UNI5931 Zn
50.11	2	Nut M4 UNI 5588 Zn
50.12	2	External Tooth Lock Washer D. 4
50.13	1	Brush Support MU16
50.14	1	Brush Spring
50.15	1	Flat Washer M4 UNI 6592 OT
50.16	1	Screw M4x5 UNI 6107 OT
50.17	1	Carrying Plate MU16 18 x 30 x 5/10
50.18	2	Schnorr Washer M4 Zn
50.19	2	Pan Head Screw M4 x 12 UNI 7985 Zn

Notes:

- Motor Kit ECCE2621K - Includes parts used on 115V cutter, Model ECSE300B.
- Motor Kit ECCE2615K - Includes parts used on 230V cutter, Model ECSE300E.
- Carbon brush (item 50.7) and stator (item 50.9) are different for 115V and 230V models. Be sure to order the correct kit for your cutter model.
- Kit parts available only in kits. Items not sold separately.

Figure 24 - ECCE2614K & ECCE2620K Rotor Kit



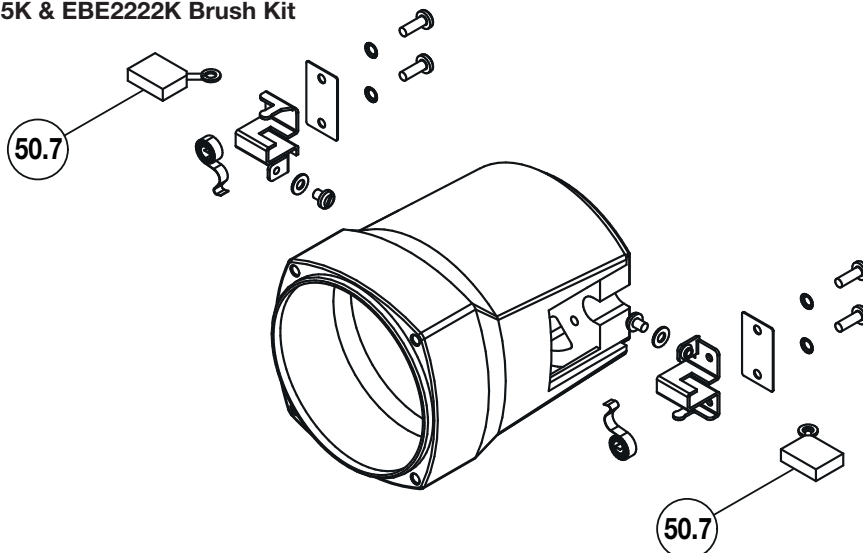
Parts List for Figure 24

Item No.	Qty.	Description
50.1	1	Ball Bearing R-S 6200 30 x 10 x 9 ZZ C3
50.2	2	Compensating Ring 29,7 x 22,5 x 0,5
50.3	1	Rotor Assembly MU16

Notes:

- Rotor Kit ECCE2620K - Includes parts for 115V cutter, Model ECSE300B.
- Rotor Kit ECCE2614K - Includes parts for 230V cutter, Model ECSE300E.
- Kit parts available only in kits. Items not sold separately.

Figure 25 - EBE2215K & EBE2222K Brush Kit



Parts List for Figure 25

Item No.	Qty.	Description
50.7	2	Carbon brush

Notes:

- Brush Kit EBE2222K - Includes brushes used on 115V cutter, Model ECSE300B.
- Brush Kit EBE2215K - Includes brushes used on 230V cutter, Model ECSE300E.
- Carbon brushes are different for 115V and 230V models. Be sure to order the correct kit for your cutter model.
- Kit parts available only in kits. Items not sold separately.

Figure 26 - DKSCOMP Decal Kit

Notes:

- The decal kit contains decals used on many different cutter models.
- Replace only the decals used on your cutter. Discard the remaining decals in the kit.