

Document Number	Document Revision	Document Revision Date	Product Date Code Beginning With
L4335	E	08/2019	A

To Protect Your Warranty, Use Only ENERPAC Hydraulic Oil.

Enerpac recommends that all kit components be installed to insure optimum performance of the repaired product.

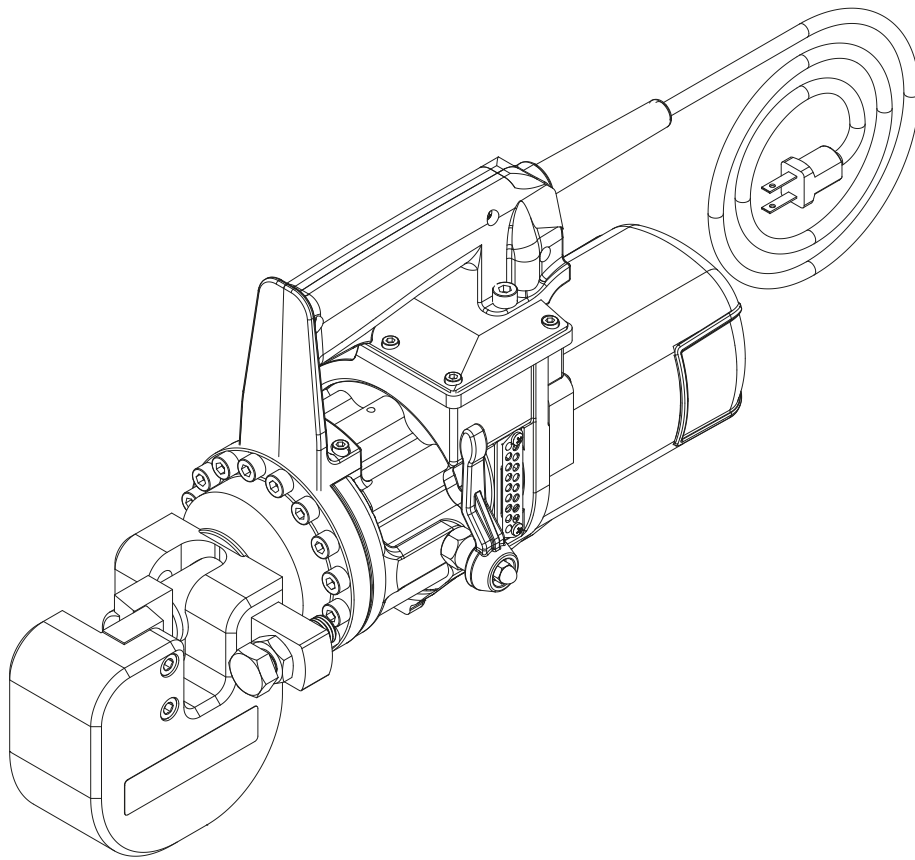


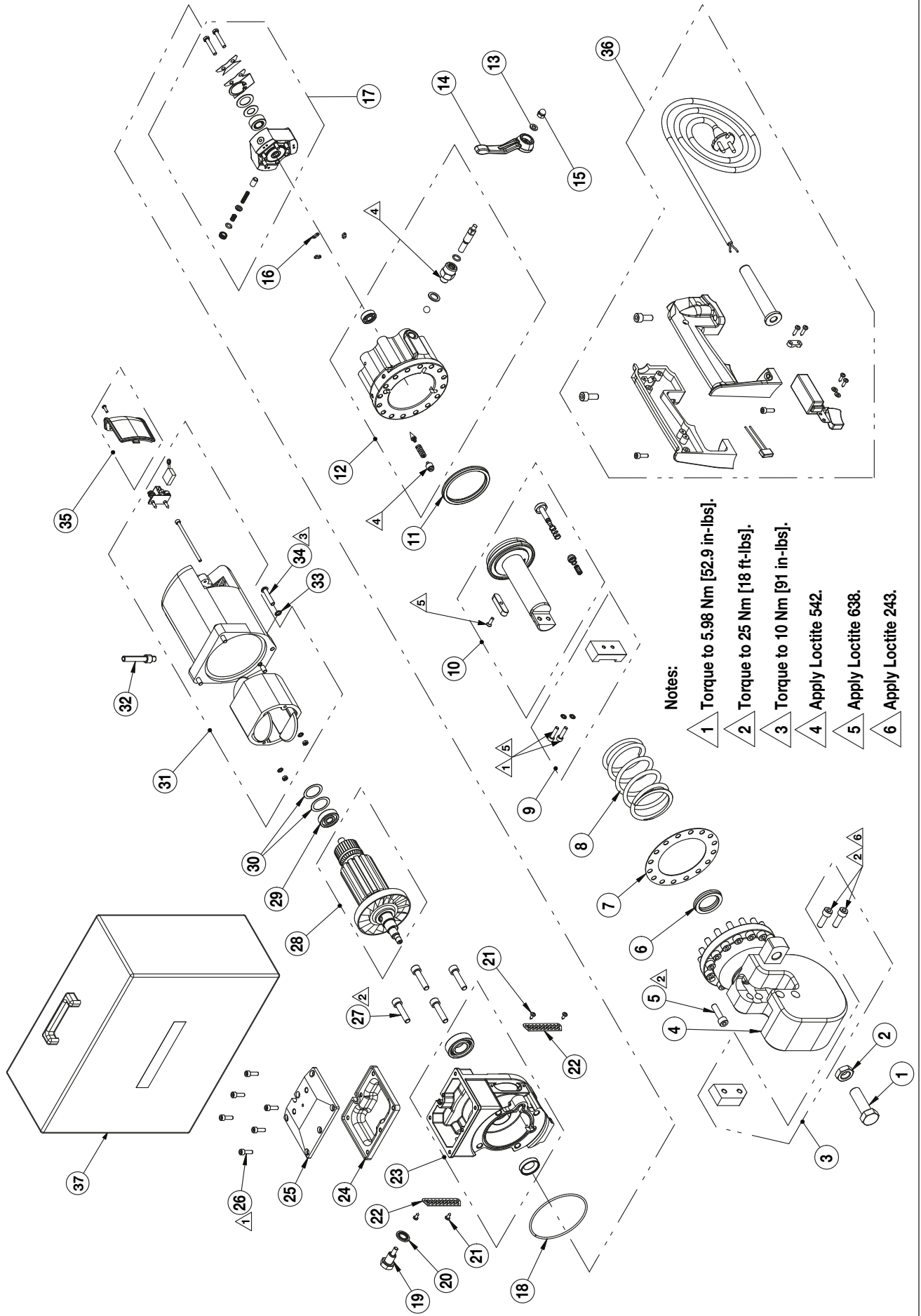
Table of Contents:

	Page		Page
Figure 1 - EFBE5017 Cutter, Exploded View	2	Figure 10 - EFBE501707K Release Valve Kit	7
Figure 2 - EFBE501701K Blade Kit	4	Figure 11 - EFBE501712K and EFBE501703K Handle Kit	8
Figure 3 - EFBE501708K Head Kit	4	Figure 12 - EBE2223K and EBE2203K Switch Kit	8
Figure 4 - EFBE501704K Piston Kit	5	Figure 13 - EBE2214K Bearing Kit	9
Figure 5 - EBE2607K Cylinder Spring Kit	5	Figure 14 - EBE2220K and EBE2211K Rotor Kit	9
Figure 6 - EFBE501705K Cylinder Body Kit	5	Figure 15 - EBE2222K and EBE2215K Brush Kit	9
Figure 7 - EFBE501702K Seal Kit	6	Figure 16 - EBE2221K and EBE2212K Motor Kit	10
Figure 8 - EBE2210K Pump Kit	6	Figure 17 - EFBE501711K Small Parts Kit	11
Figure 9 - EFBE501710K Tank Kit	7	Figure 18 - DKSCOMP Decal Kit	12

⚠ WARNING Be certain that cutter is disconnected from AC power supply before beginning any adjustment, maintenance or repair procedures. Appropriate shop safety procedures are to be followed during disassembly and reassembly to minimize any possibility of injury.

Note: Parts kits, components and product features described in this document are subject to change without notice.

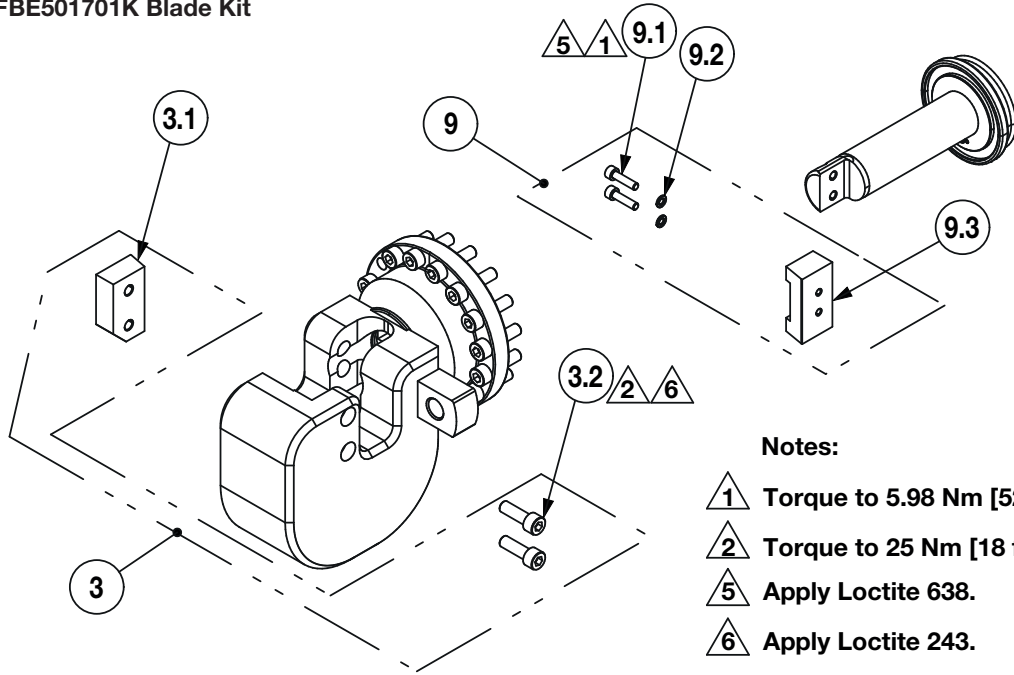
Figure 1 - EFBE5017 Cutter, Exploded View



Repair Parts List for Figure 1		
Item No.	Qty.	Description
1	1	HXBT Screw M16 x 50 UNI 5739 Zn
2	1	Nut M16 UNI 5589 Zn
3	1	Fixed Blade Assembly
4	1	Head
5	16	Socket Cap Screw M8 x 30 UNI 5931 Zn
6	1	Gasket 4432
7	1	Gasket MU20
8	1	Spring F.6 x e67 x 5.5 x Lo107 Grounded
9	1	Moving Blade Assembly
10	1	Piston Assembly
11	1	Gasket 7565
12	1	Cylinder Base Assembly
13	1	Flat Washer 6.4 x 12 x 1.6
14	1	Lever
15	1	Cap Nut M6x10 brass
16	3	O-Ring 6.07 x 1.78
17	1	Pump Assembly
18	1	O-Ring 88.57 x 2.62
19	1	Magnetic Filter
20	1	Bonded Seal Washer 1/4"
21	4	Screw Self Threading 3.5 x 9.5 UNI 6954 Zn
22	2	Screen
23	1	Tank Assembly
24	1	Diaphragm
25	1	Diaphragm Housing Lid
26	6	Socket Cap Screw M5 x 16 UNI 5931 Zn
27	4	Socket Cap Screw M8 x 35 UNI 5931 Zn
28	1	Rotor Assembly
29	1	Bearing
30	2	Compensating Ring 29.7 x 22.5 x 0.5
31	1	Motor Assembly
32	1	Grommet Sleeve
33	4	Shnorr Washer M6 Zn
34	4	Button Screw M6 x 30 10.9 UNI 7380 Zn
35	2	Brush Cover Assembly
36	1	Handle Assembly
37	1	Hard Case

Note: Refer to Figures 2 through 18 for repair kit parts diagrams and additional information.

Figure 2 - EFBE501701K Blade Kit



Notes:

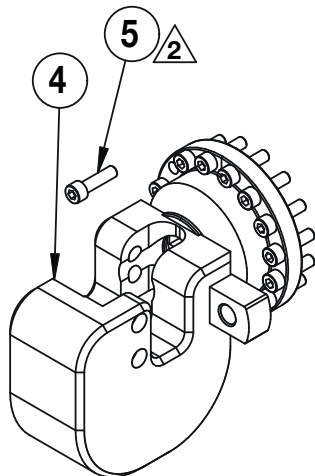
- 1** Torque to 5.98 Nm [52.9 in-lbs].
- 2** Torque to 25 Nm [18 ft-lbs].
- 5** Apply Loctite 638.
- 6** Apply Loctite 243.

Parts List for Figure 2

Item No.	Qty.	Description
3.1	1	Fixed Blade
3.2	2	Socket Cap Screw M8 x 25 UNI 5931 Zn
9.1	2	Socket Cap Screw M5 x 20 UNI 5931 Zn
9.2	2	Grower Washer M5 Zn
9.3	1	Moving Blade

Note: Kit parts available only in kits. Items not sold separately.

Figure 3 - EFBE501708K Head Kit



Note:

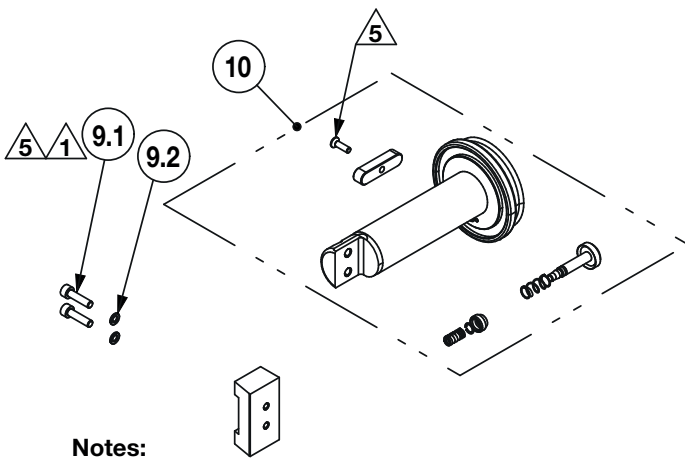
- 2** Torque to 25 Nm [18 ft-lbs].

Parts List for Figure 3

Item No.	Qty.	Description
4	1	Head
5	16	Socket Cap Screw M8 x 30 UNI 5931 Zn

Note: Kit parts available only in kits. Items not sold separately.

Figure 4 - EFBE501704K Piston Kit



Notes:

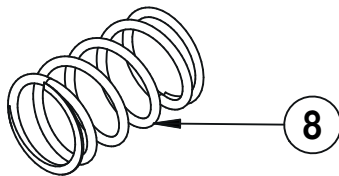
- 1 Torque to 5.98 Nm [52.9 in-lbs].
- 5 Apply Loctite 638.

Parts List for Figure 4

Item No.	Qty.	Description
9.1	2	Grower Washer M5 Zn
9.2	2	Socket Cap Screw M5 x 20 UNI 5931 Zn
10	1	Piston Assembly

Note: Kit parts available only in kits. Items not sold separately.

Figure 5 - EBE2607K Cylinder Spring Kit

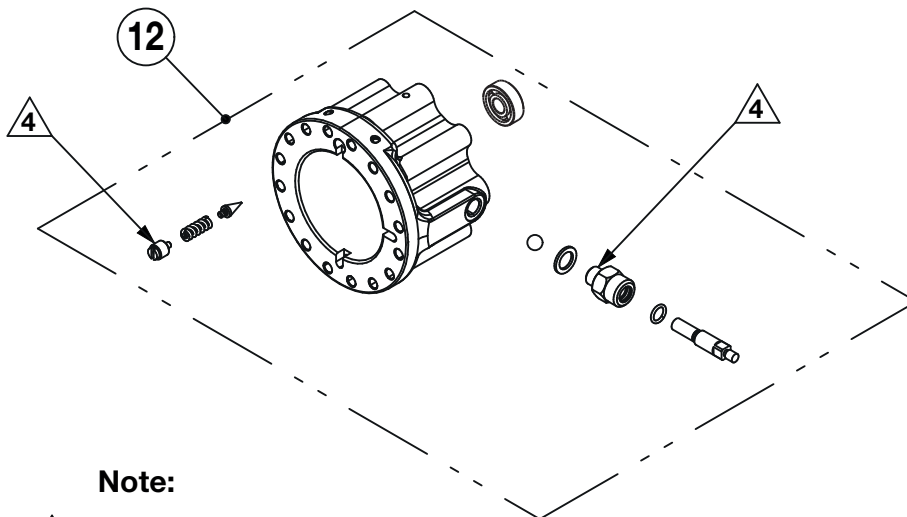


Parts List for Figure 5

Item No.	Qty.	Description
8	1	Spring F.6 x e67 x 5.5 x Lo107 Grounded

Note: This kit contains only one item. (Item 8)

Figure 6 - EFBE501705K Cylinder Body Kit



Note:

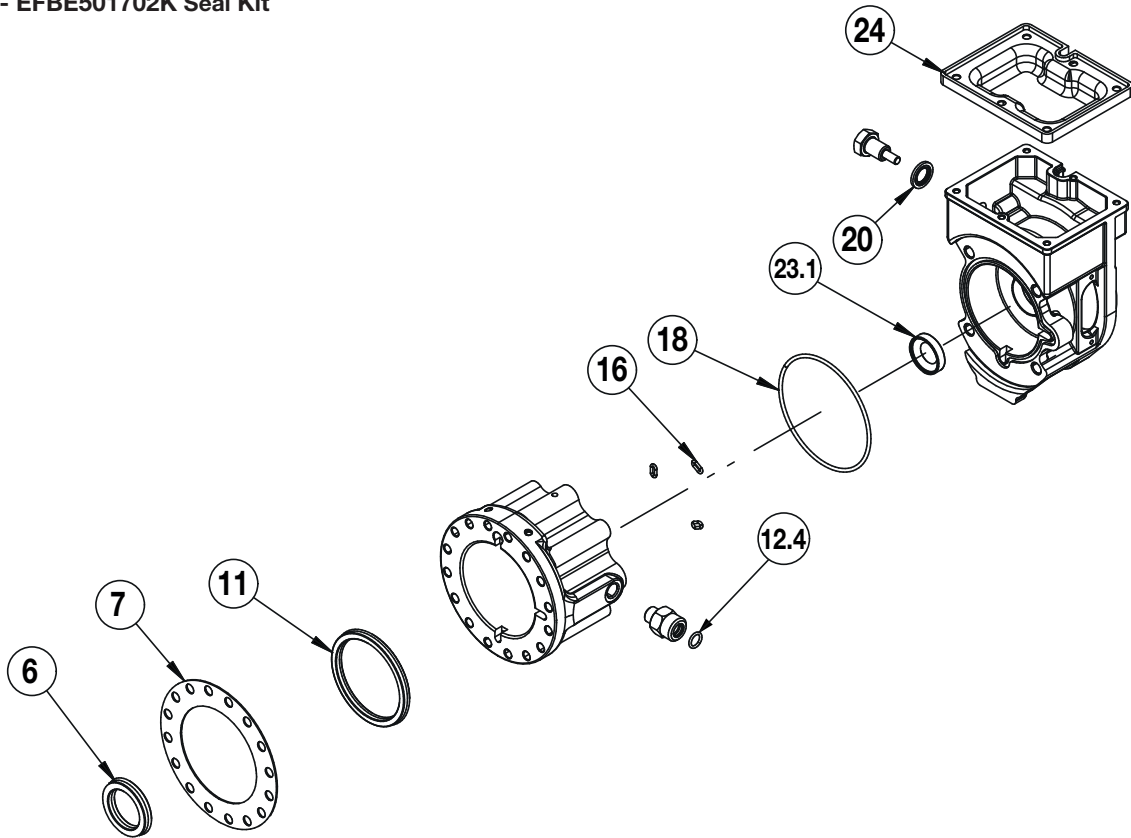
- 4 Apply Loctite 542.

Parts List for Figure 6

Item No.	Qty.	Description
12	1	Cylinder Base Assembly

Note: Kit parts available only in kits. Items not sold separately.

Figure 7 - EFBE501702K Seal Kit

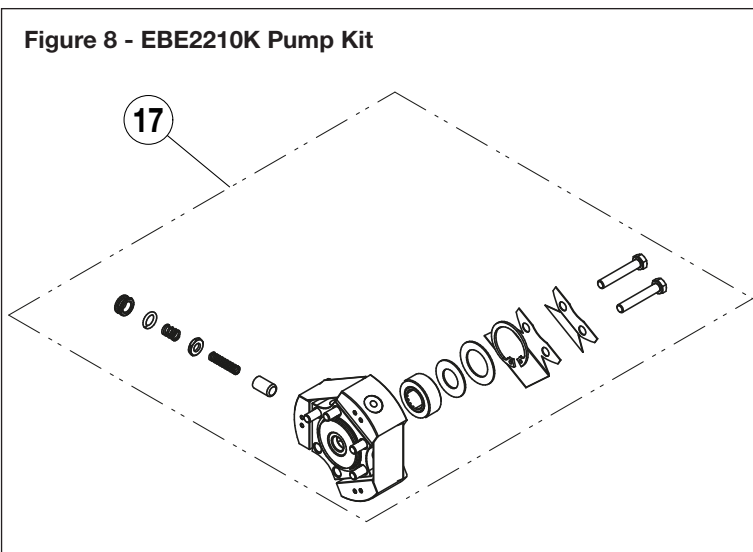


Parts List for Figure 7		
Item No.	Qty.	Description
6	1	Gasket 4432
7	1	Gasket MU20
11	1	Gasket 7565
12.4	1	O-Ring 012 9.25 x 1.78
16	3	O-Ring 6.07 x 1.78
18	1	O-Ring 88.57 x 2.62
20	1	Bonded Seal Washer 1/4"

Parts List for Figure 7 (continued)		
Item No.	Qty.	Description
23.1	1	Oil Seal 17 x 30 x 7
24	1	Diaphragm

Note: Kit parts available only in kits. Items not sold separately.

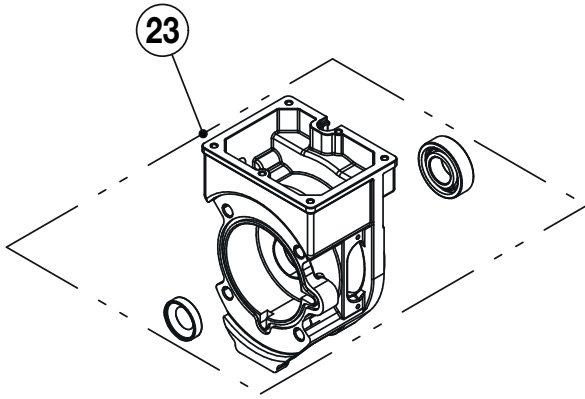
Figure 8 - EBE2210K Pump Kit



Parts List for Figure 8		
Item No.	Qty.	Description
17	1	Pump Assembly

Note: Kit parts available only in kits. Items not sold separately.

Figure 9 - EFBE501710K Tank Kit

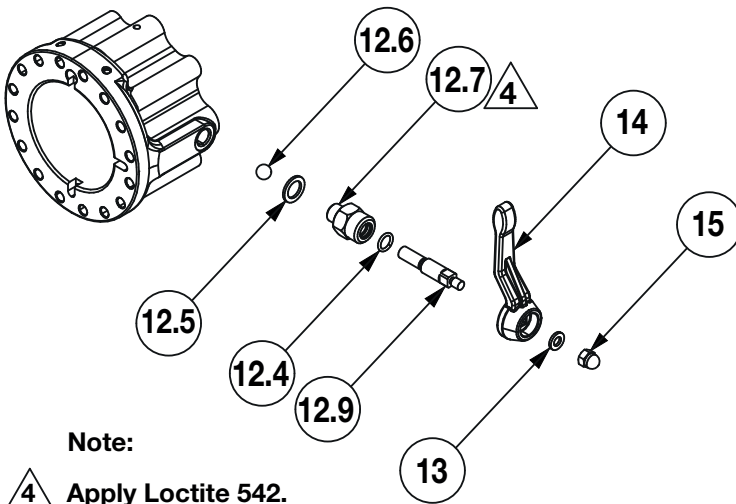


Parts List for Figure 9

Item No.	Qty.	Description
23	1	Tank Assembly

Note: Kit parts available only in kits. Items not sold separately.

Figure 10 - EFBE501707K Release Valve Kit

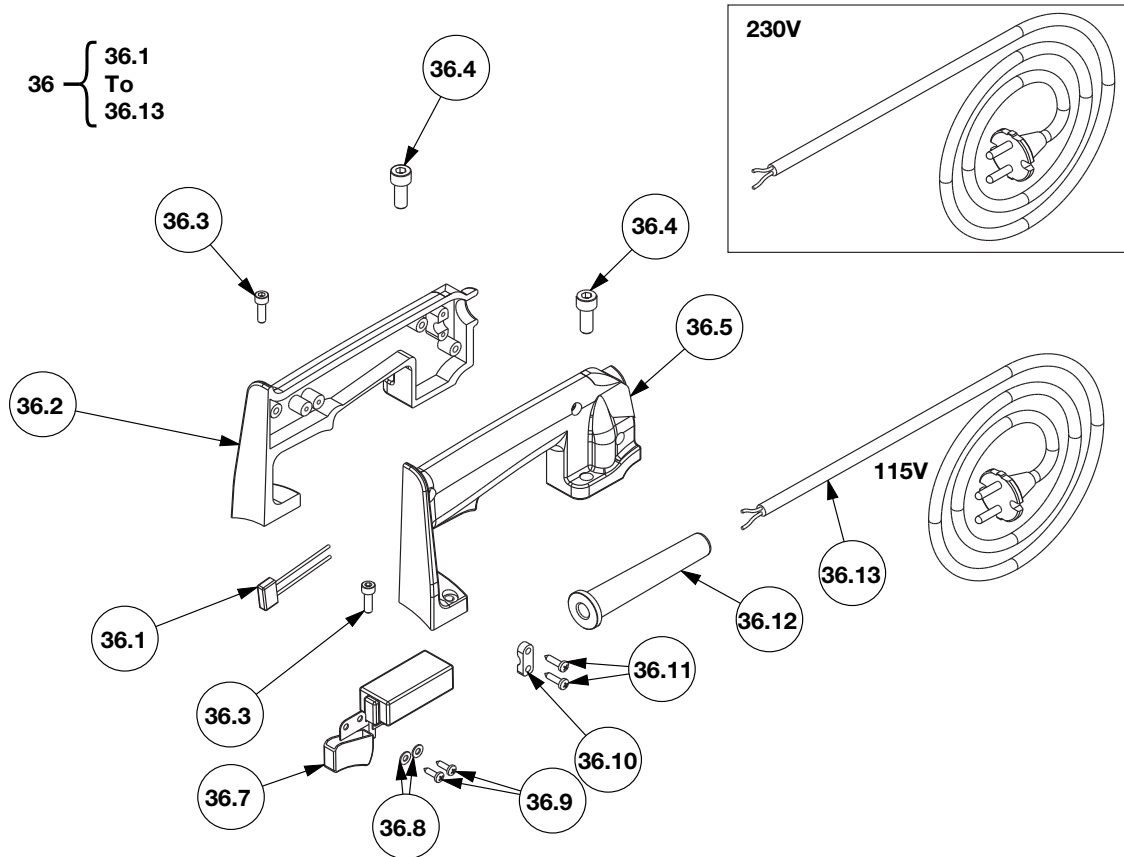


Parts List for Figure 10

Item No.	Qty.	Description
12.4	1	O-Ring 012 9.25 x 1.78
12.5	1	Flat Washer 12 x 18 x 1.5 Copper
12.6	1	Ball 3/8 D.9.5
12.7	1	Valve Pin
12.9	1	Valve Body
13	1	Flat Washer 6.4 x 12 x 1.6 ISO 7089 Zn
14	1	Lever
15	1	Cap Nut M6 x 10 Brass

Note: Kit parts available only in kits. Items not sold separately.

Figure 11 - EFBE501712K & EFBE501703K Handle Kit



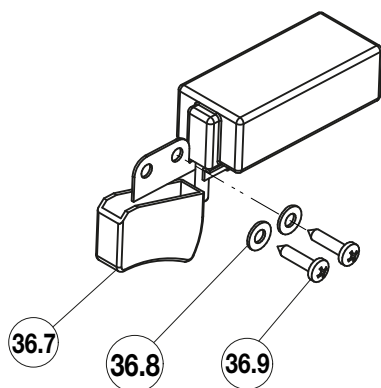
Parts List for Figure 11		
Item No.	Qty.	Description
36	1	Handle Assembly (includes items 34.1 - 34.13)
36.1	1	Interference filter
36.2	1	Right Half-Handle
36.3	2	Socket Cap Screw M5 x 16 UNI 5931 Zn
36.4	2	Socket Cap Screw M8 x 20 UNI 5931 Zn
36.5	1	Left Half-Handle
36.6	3	Pan Head Screw 3.5 x 16 UNI 6954 Zn
36.7	1	Press Switch
36.8	2	Flat Washer M4 UNI 6592 Zn
36.9	2	Pan Head Screw 3.5 x 13 UNI 6954 Zn

Parts List for Figure 11 (continued)		
Item No.	Qty.	Description
36.10	1	Grommet Sleeve
36.11	2	Pan Head Screw 3.9 x 16 UNI 6954 Zn
36.12	1	Grommet Sleeve
36.13	1	Power Supply Cable

Notes:

- Handle Kit EFBE501712K - Includes parts for 115V cutter, Model EFBE5017B.
- Handle Kit EFBE501703K - Includes parts for 230V cutter, Model EFBE5017E.
- Kit parts available only in kits. Items not sold separately.

Figure 12 - EBE2223K & EBE2203K Switch Kit

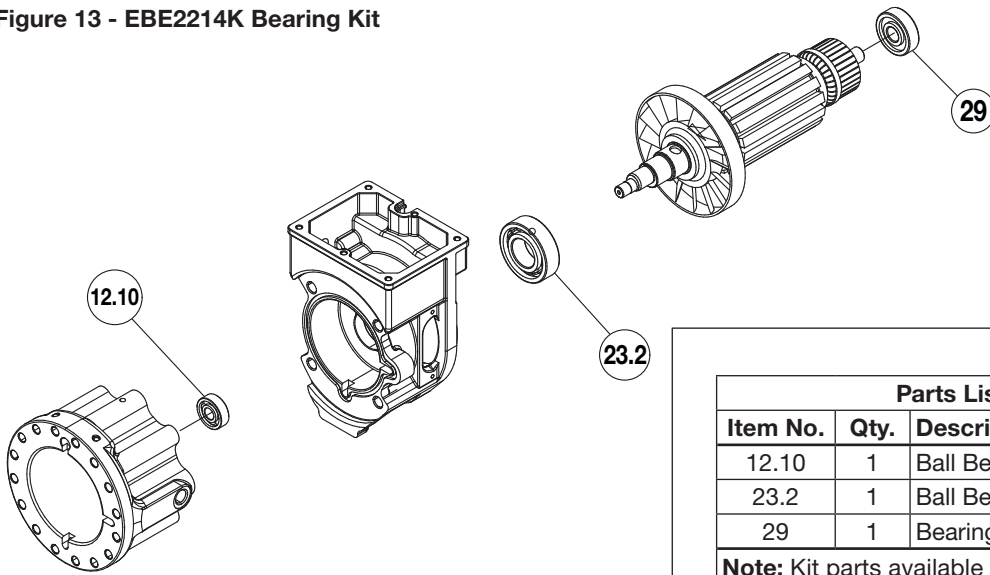


Parts List for Figure 12		
Item No.	Qty.	Description
36.7	1	Press Switch
36.8	2	Flat Washer M4 UNI 6592 Zn
36.9	2	Pan Head Screw 3.5 x 13 UNI 6954 Zn

Notes:

- Switch Kit EBE2223K - Includes switch and hardware for 115V cutter, Model EFBE5017B.
- Switch Kit EBE2203K - Includes switch and hardware for 230V cutter, Model EFBE5017E.
- Kit parts available only in kits. Items not sold separately.

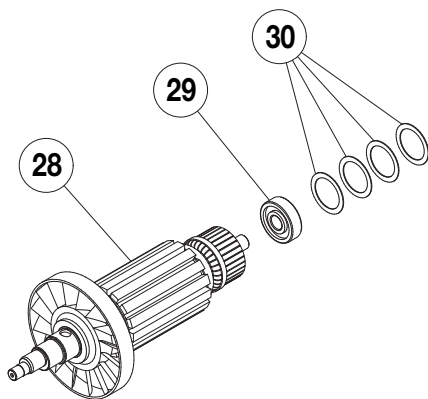
Figure 13 - EBE2214K Bearing Kit



Parts List for Figure 13		
Item No.	Qty.	Description
12.10	1	Ball Bearing R-S 22 x 8 x 7 608 C3
23.2	1	Ball Bearing 42 x 20 x 12
29	1	Bearing

Note: Kit parts available only in kits. Items not sold separately.

Figure 14 - EBE2220K & EBE2211K Rotor Kit

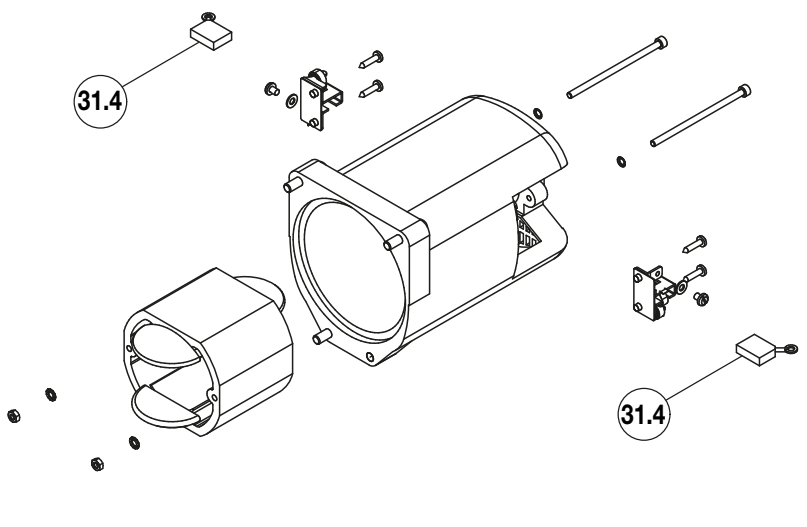


Parts List for Figure 14		
Item No.	Qty.	Description
28	1	Rotor Assembly
29	1	Bearing
30	4	Compensating Ring 29,7 x 22,5 x 0,5

Notes:

- Rotor Kit EBE2220K - Includes parts for 115V cutter, Model EFBE5017B.
- Rotor Kit EBE2211K - Includes parts for 230V cutter, Model EFBE5017E.
- Kit parts available only in kits. Items not sold separately.

Figure 15 - EBE2222K and EBE2215K Brush Kit

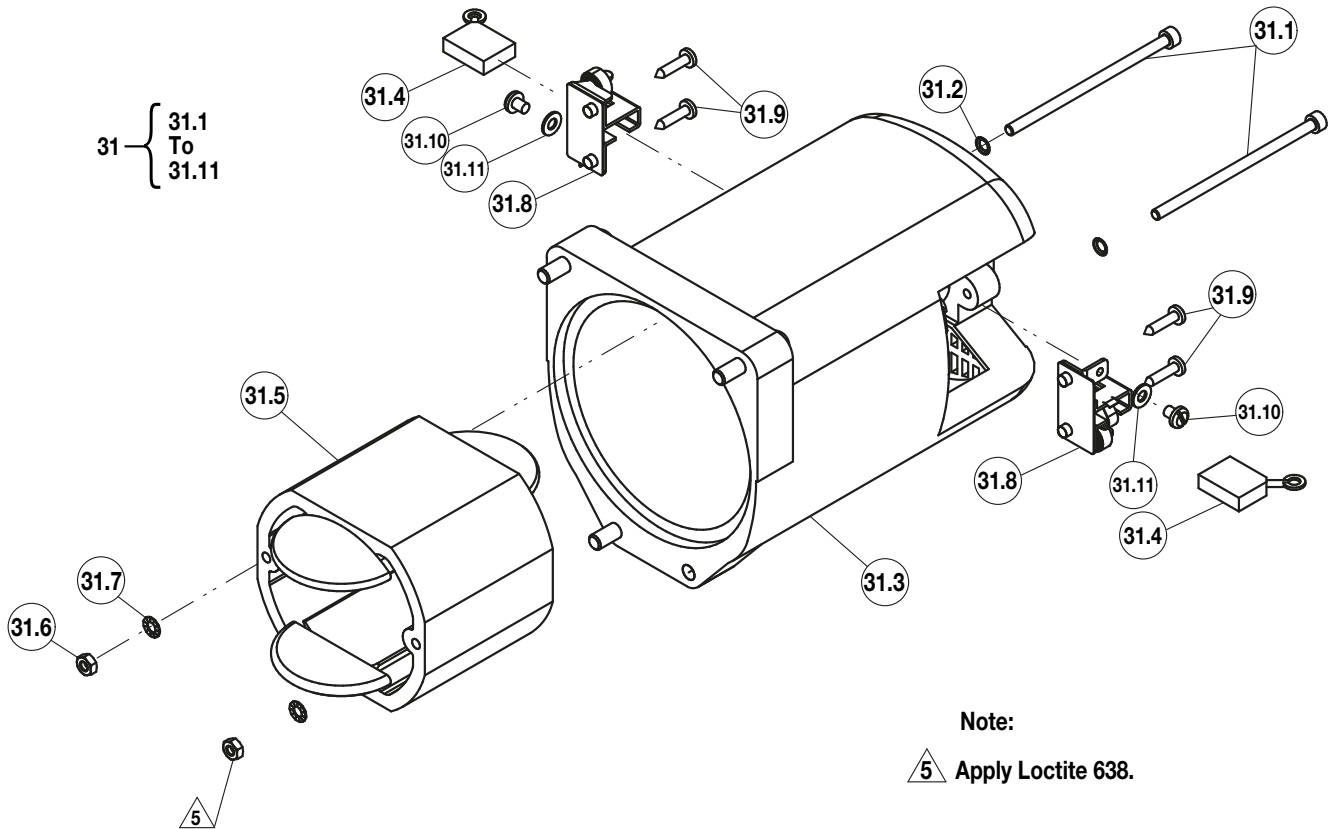


Parts List for Figure 15		
Item No.	Qty.	Description
31.4	2	Carbon Brush

Notes:

- Brush Kit EBE2222K - Includes brushes used on 115V cutter, Model EFBE5017B.
- Brush Kit EBE2215K - Includes brushes used on 230V cutter, Model EFBE5017E.
- Carbon brushes are different for 115V and 230V models. Be sure to order the correct kit for your cutter model.
- Kit parts available only in kits. Items not sold separately.

Figure 16 - EBE2221K & EBE2212K Motor Kit



Note:

5 Apply Loctite 638.

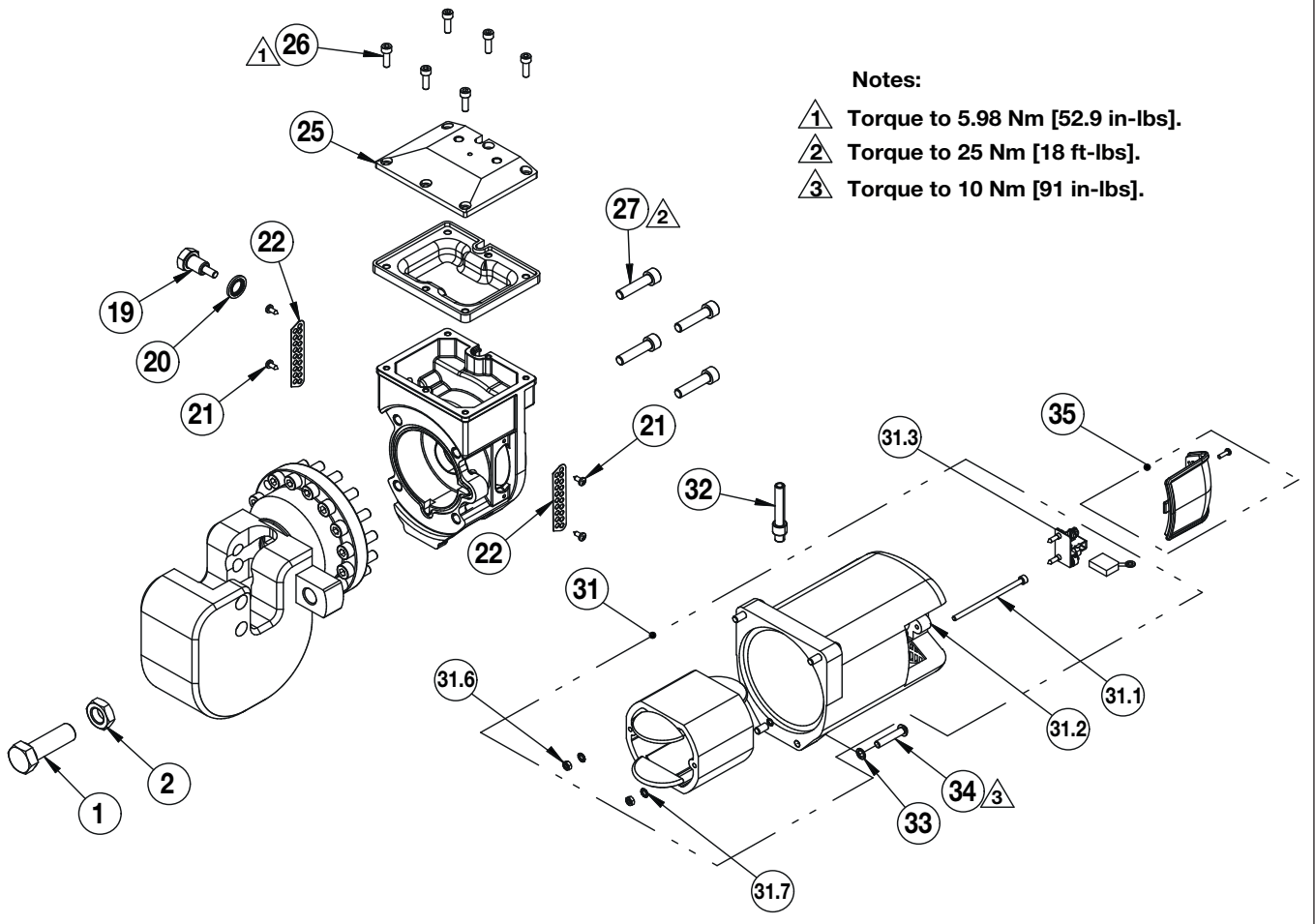
Parts List for Figure 16		
Item No.	Qty.	Description
31	1	Motor Assembly (Includes items 31.1 through 31.11)
31.1	2	Socket Cap Screw M4 x 80 UNI5931 Zn
31.2	2	Schnorr Washer M4 Zn
31.3	1	Motor Housing
31.4	2	Carbon Brush
31.5	1	Stator
31.6	2	Nut M4 UNI 5588 Zn
31.7	2	External Tooth Lock Washer D4
31.8	2	Brush Support Assembly MU22N
31.9	4	Pan Head Screw 3.5 x 16 UNI 6954 Zn

Parts List for Figure 16 (Continued)		
Item No.	Qty.	Description
31.10	2	Screw TCTC M4 x 5 UNI 6107 Brass
31.11	2	Flat Washer M4 UNI 6592 Brass

Notes:

- Motor Kit EBE2221K - Includes parts used on 115V cutter, Model EFBE5017B.
- Motor Kit EBE2212K - Includes parts used on 230V cutter, Model EFBE5017E.
- Carbon brush (item 31.4) and stator (item 31.5) are different for 115V and 230V models. Be sure to order the correct kit for your cutter model.
- Kit parts available only in kits. Items not sold separately.

Figure 17 - EFBE501711K Small Parts Kit



Notes:

- 1 Torque to 5.98 Nm [52.9 in-lbs].
- 2 Torque to 25 Nm [18 ft-lbs].
- 3 Torque to 10 Nm [91 in-lbs].

Parts List for Figure 17		
Item No.	Qty.	Description
1	1	HXBT Screw M16 x 50 UNI 5739 Zn
2	1	Nut M16 UNI 5589 Zn
19	1	Magnetic Filter
21	4	Screw Self Threading 3.5 x 9.5 UNI 6954 Zn
22	2	Screen
25	1	Diaphragm Housing Lid
26	6	Socket Cap Screw M5 x 16 UNI 5931 Zn
27	4	Socket Cap Screw M8 x 35 UNI 5931 Zn
31.1	1	Socket Cap Screw M4 x 80 UNI5931 Zn
31.2	1	Schnorr Washer M4 Zn
31.3	1	Motor Housing

Parts List for Figure 17 (Continued)		
Item No.	Qty.	Description
31.6	2	Nut M4 UNI 5588 Zn
31.7	2	External Tooth Lock Washer D. 4
32	1	Grommet Sleeve
33	4	Schnorr Washer M6 Zn
34	4	Button Screw M6 x 35 10.9 UNI 7380 Zn
35	2	Brush Cover Assembly
Notes: Kit parts available only in kits. Items not sold separately.		

Figure 18 - DKSCOMP Decal Kit

Notes:

- The decal kit contains decals used on many different cutter models.
- Replace only the decals used on your cutter. Discard the remaining decals in the kit.