

▼ TWMP503



TWMP503, Torque Wrench Moly Paste

- Enerpac 503 Moly Paste reduces friction on threaded fasteners – bolts, nuts and studs
- The low and uniform friction coefficient of 0.06 (torque coefficient, K, of 0.11) creates reliable assembly conditions
- This lubricant stays in place through heat, load and vibration to ensure trouble-free disassembly from -20° F to 750° F (-29° C to 400° C)
- 4 lbs. (1,8 kg) container

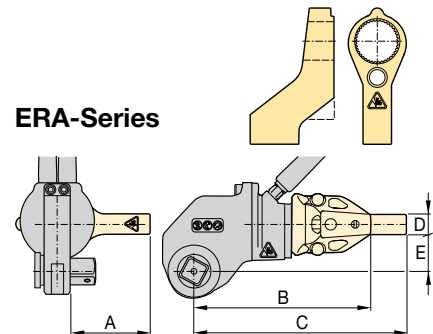
for
RSL Series



ERA-Series, Extended Reaction Arms

| For Torque Wrench Model No. | Model Number | Dimensions (in) | | | | | (lbs) |
|-----------------------------|--------------|-----------------|-------|-------|------|------|-------|
| | | A | B | C | D | E | |
| RSL1500 | ERA15114 | 3.42 | 5.71 | 7.68 | 1.14 | 1.42 | 1.98 |
| | ERA15228 | 4.45 | 7.13 | 9.06 | 1.14 | 1.42 | 3.97 |
| | ERA15342 | 5.47 | 8.90 | 10.87 | 1.14 | 1.42 | 5.95 |
| | ERA15456 | 6.46 | 9.29 | 11.26 | 1.14 | 1.42 | 7.94 |
| | ERA15570 | 7.44 | 11.30 | 13.27 | 1.14 | 1.42 | 9.92 |
| RSL3000 | ERA30114 | 4.13 | 7.68 | 10.12 | 1.34 | 1.61 | 5.95 |
| | ERA30228 | 5.16 | 9.09 | 11.54 | 1.34 | 1.61 | 7.94 |
| | ERA30342 | 6.14 | 10.47 | 12.91 | 1.34 | 1.61 | 9.92 |
| | ERA30456 | 7.13 | 11.89 | 14.66 | 1.34 | 1.61 | 11.90 |
| RSL5000 | ERA50114 | 5.16 | 8.19 | 11.18 | 1.73 | 1.89 | 9.04 |
| | ERA50228 | 6.14 | 9.57 | 12.60 | 1.73 | 1.89 | 11.02 |
| | ERA50342 | 7.13 | 10.98 | 13.98 | 1.73 | 1.89 | 13.01 |
| | ERA50456 | 8.15 | 12.37 | 15.39 | 1.73 | 1.89 | 15.00 |
| RSL11000 | ERA110114 | 4.92 | 8.62 | 11.65 | 2.01 | 2.32 | 13.89 |
| | ERA110228 | 5.91 | 10.04 | 13.06 | 2.01 | 2.32 | 16.09 |
| | ERA110342 | 6.93 | 11.46 | 14.45 | 2.01 | 2.32 | 18.08 |
| | ERA110456 | 7.91 | 12.83 | 15.83 | 2.01 | 2.32 | 20.06 |
| RSL28000 | ERA280228 | 6.73 | 13.19 | 16.18 | 2.24 | 3.50 | 24.91 |
| | ERA280342 | 7.76 | 14.57 | 17.60 | 2.24 | 3.50 | 30.00 |

- Only to be used on RSL-drive units with RSQ-square drive wrenches
- Used in place of standard reaction arm
- Lightweight interchangeable design
- Full torque rated

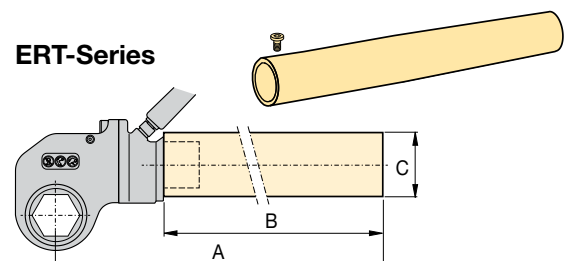


NOTE: Extended Reaction Arms for RSL8000 and RSL19000 are available on request.

ERT-Series, Extended Reaction Tubes

| For Torque Wrench Model No. | Model Number | Dimensions (in) | | | Wt. (lbs) |
|-----------------------------|--------------|-----------------|-------|------|-----------|
| | | A | B | Ø C | |
| RSL1500 | ERT152 | 6.18 | 2.01 | 2.24 | 1.98 |
| | ERT156 | 10.20 | 5.98 | 2.24 | 3.53 |
| | ERT159 | 13.19 | 9.02 | 2.24 | 5.51 |
| | ERT1512 | 16.18 | 12.01 | 2.24 | 7.50 |
| | ERT1524 | 28.19 | 24.02 | 2.24 | 14.78 |
| RSL3000 | ERT3012 | 16.89 | 12.01 | 2.76 | 6.61 |
| | ERT3024 | 28.90 | 24.02 | 2.76 | 13.01 |
| RSL5000 | ERT5012 | 17.76 | 12.01 | 3.50 | 12.35 |
| | ERT5024 | 29.76 | 24.02 | 3.50 | 24.91 |
| RSL11000 | ERT1106 | 12.99 | 5.98 | 3.74 | 4.63 |
| | ERT11012 | 19.02 | 12.01 | 3.74 | 9.04 |
| | ERT11018 | 25.00 | 17.99 | 3.74 | 13.45 |
| | ERT11024 | 30.98 | 24.02 | 3.74 | 18.52 |
| RSL19000 | ERT19024 | 31.50 | 24.02 | 5 | 36.82 |
| RSL28000 | ERT2806 | 13.82 | 5.98 | 5 | 7.94 |
| | ERT28012 | 19.80 | 12.01 | 5 | 16.09 |
| | ERT28018 | 25.79 | 17.99 | 5 | 24.03 |
| | ERT28024 | 31.81 | 24.02 | 5 | 36.60 |

- Only to be used on RSL-drive units with RLP-hexagon cassettes
- Used in place of standard reaction arm
- One-piece steel design, durable and simple
- Increases tool fit in restricted access areas
- Full torque rated



NOTE: Extended Reaction Tubes for RSL8000 are available on request.