

# BOLTING PUMPS

G1 Series - Electric



Torque



G1171T Shown

- Reservoir Capacity .....▶ 1 gallon
- Weight .....▶ 36 lbs.
- Maximum Pressure .....▶ 10,000 psi

- ▶ Light weight bolting pump equipped with an integrated gauge, adjustable relief and 15' remote power controlled pendant.
- ▶ Powered by a 115V - 60Hz, .5 hp universal motor (14,640 rpm).
- ▶ Low startup voltage, draws 10 amps at full load (230V model available).
- ▶ Two-speed pump operation provides fast tool performance.

Bolting Products



### TORQUE WRENCHES - pages 88 - 91

Torque wrenches available in lightweight square drive, or low clearance wrenches.



### THINK SAFETY

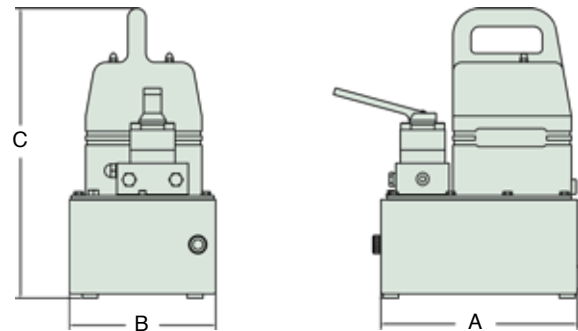
Please refer to pages 4&5 for a complete list of safety tips and recommendations.



### TORQUE HOSES - page 89

Heavy duty, thermo-plastic torque wrench hoses to meet your requirements.

The G1 bolting pump along with a WX series low clearance torque wrench was used to tighten the footing of this support tower. ▼



Reservoir (Gallons)	A	B	C
	(in)	(in)	(in)
1 (metal)	11	8.17	16.17

\* For 230 VAC pump use "2" in the 3rd character of the model number. Motor specifications 0,37 kw single phase, 5 amps @ 230 VAC.

Model	Pressure Rating (psi)		Output Flow (cu.in./min.)		Motor Spec.		Valve Type	Pendant Control	Usable Oil (Gallon)	Weight (lbs)
	1st Stage	2nd Stage	1st Stage	2nd Stage	(vac)	(amps)				
G1171T	400	10,000	250	19	115	10	4W, 2P	Motor / Solenoid	1	36