



777 OAKMONT LANE, SUITE 800 WESTMONT, IL 60559
1.800.323.9114 • Outside U.S. 1.708.865.1500
www.tksimplex.com

G3 SERIES TORQUE POWER PUMP

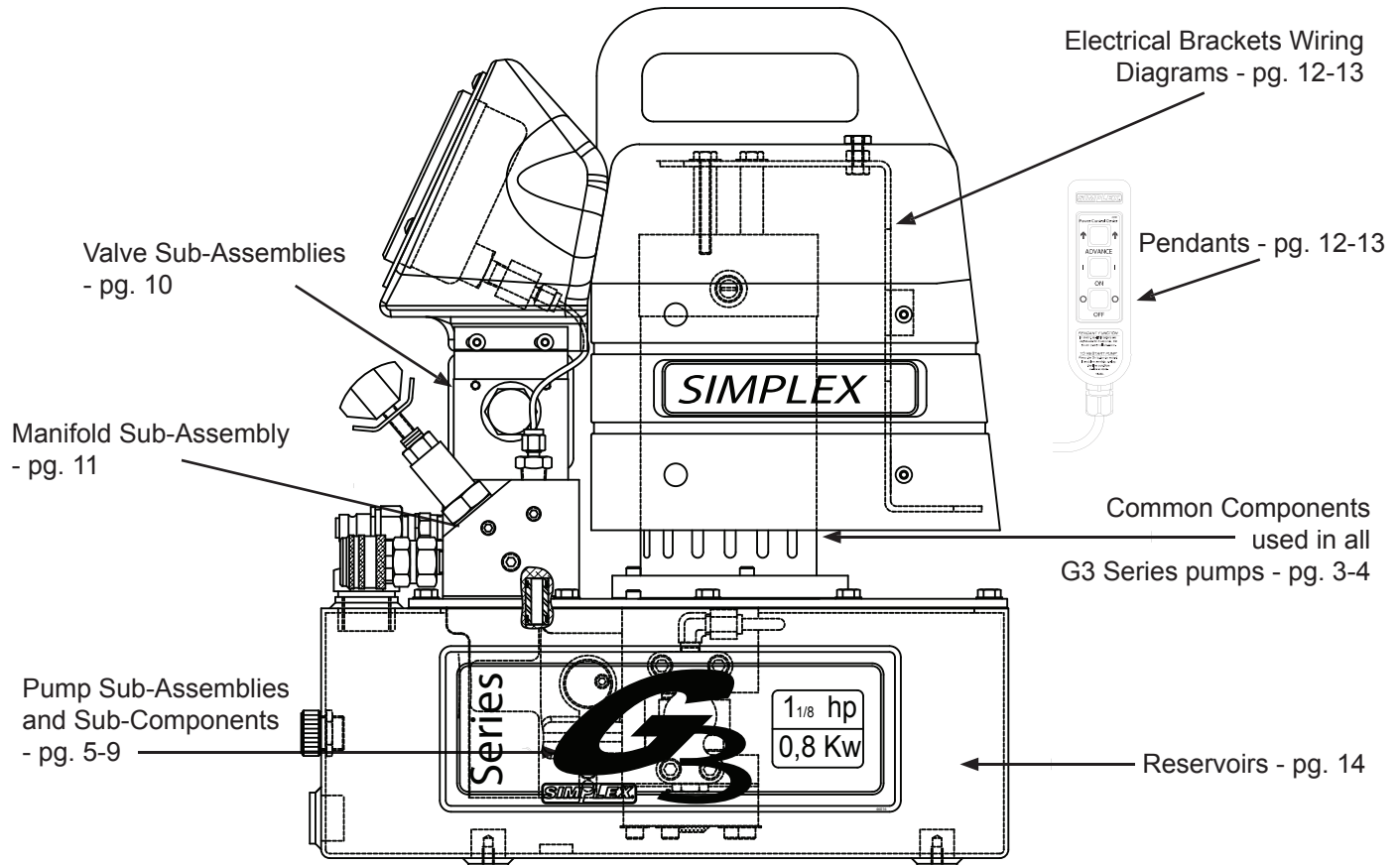
PARTS IDENTIFICATION MANUAL

Reference # - TD056

Rev. - D

Date - 1/14

This illustration is for reference purposes only. The appearance of your unit may differ from the unit shown.



G3 Torque Wrench Power Pump

How to Identify Parts for Your Model.

MODEL MATRIX

Understanding our model number configurations:

| | PUMP CLASS | | PUMP TYPE | | | OPTION 1 | OPTION 2 | OPTION 3 |
|-----------------|-----------------|--------------------|----------------------------|-------------------|---|---|----------|----------|
| Sample Model #: | G | 3 | 1 | 7 | 2 | T | Z | R |
| Description: | Model | Performance Series | Power Consumption | Valve Function | Reservoir Size | Options | | |
| | G = Gen II Pump | 3 = 1.125 HP | 1 = 115 VAC 2 = 230 VAC | 7 = Torque Wrench | 1 = 1 Gal 2 = 1.5 Gal 3 = 2.5 Gal | T = Torque Wrench C = Caster Wheel Kit R = Roll Cage Z = Multi-port (torque) | | |

MODEL NUMBER & DATE CODE LOCATION

For Example, the date code and serial number

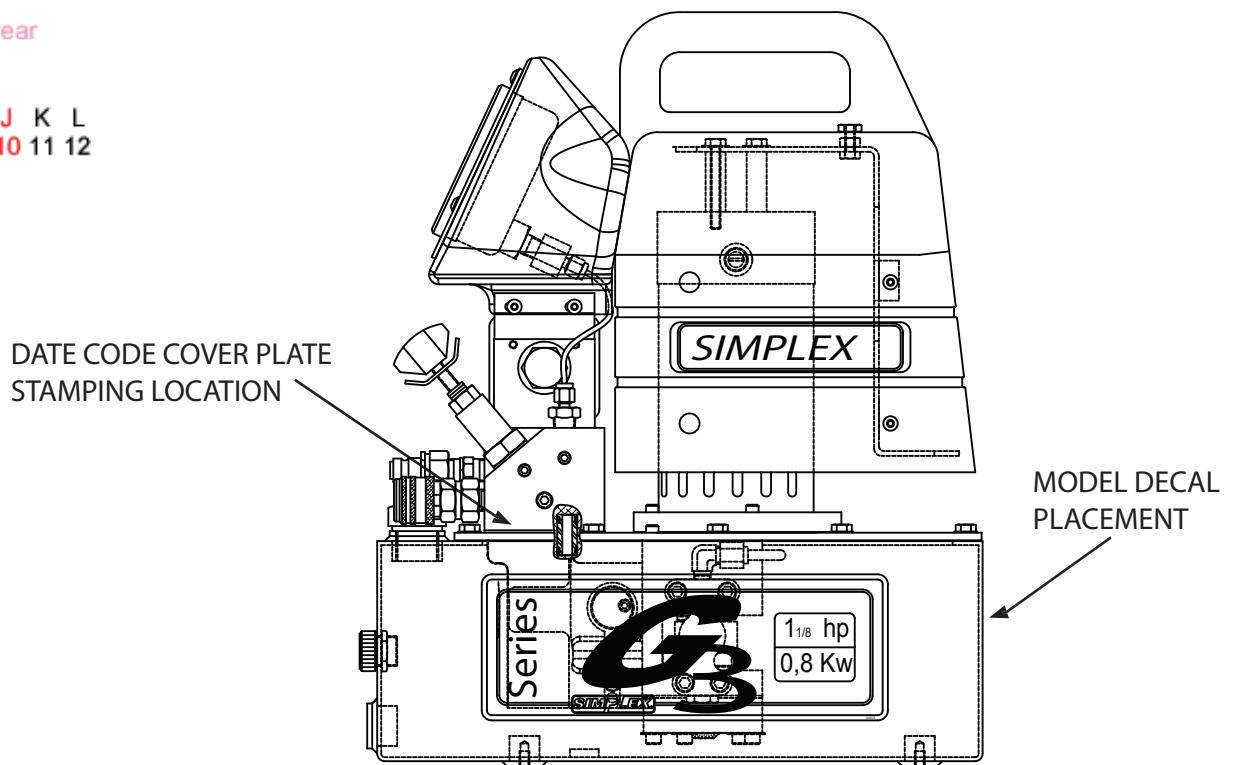
J= **October**

07 = **Year 2007**

42= **Week number in year**

J 07 42

A B C D E F G H I J K L
1 2 3 4 5 6 7 8 9 10 11 12

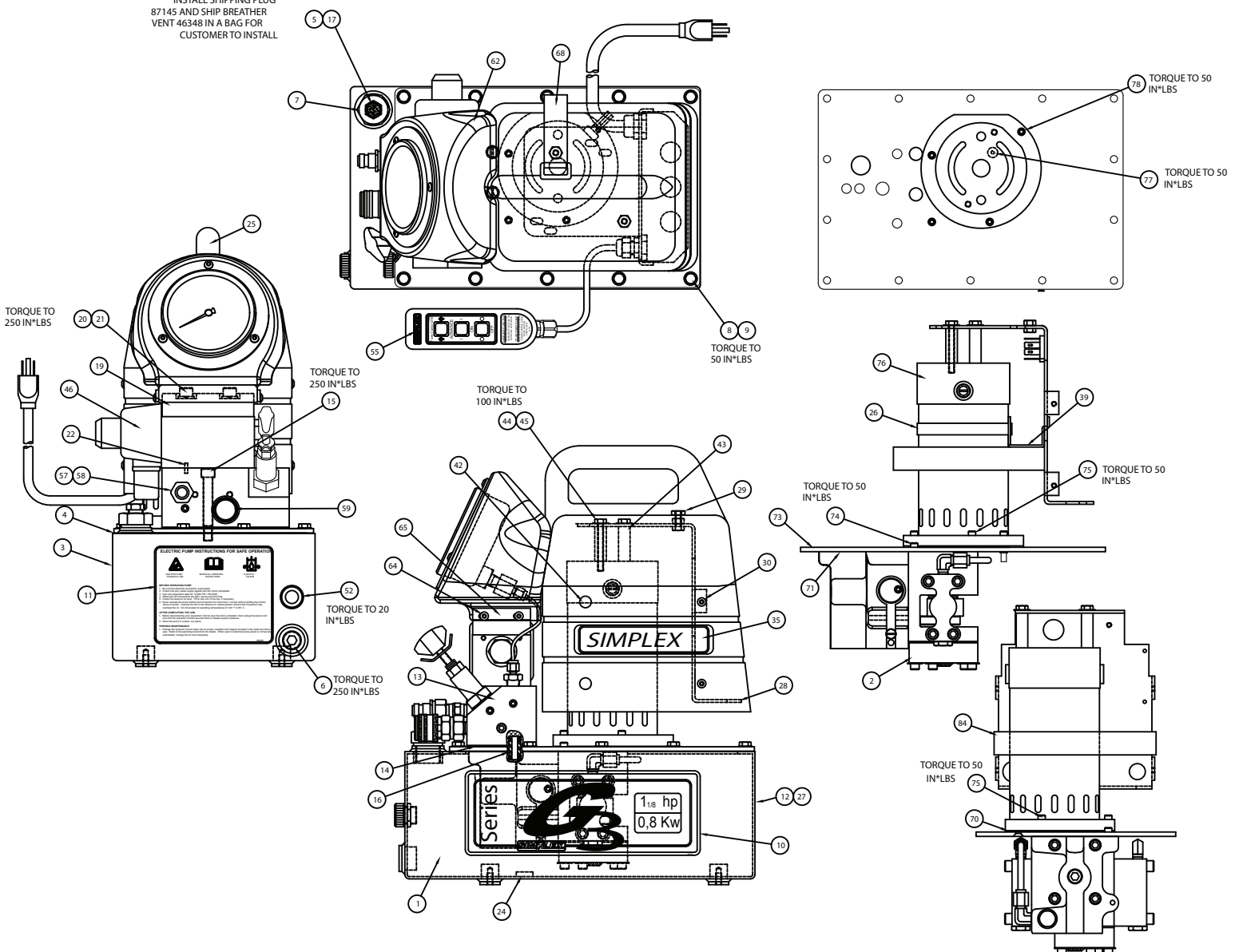


G3 Series Electric Power Pump

Common components used in pumps

NOTE: This illustration is for reference only. The appearance of your unit may differ from unit shown.

INSTALL SHIPPING PLUG
87145 AND SHIP BREATHER
VENT 46348 IN A BAG FOR
CUSTOMER TO INSTALL



G3 Series Electric Power Pump

Common components used in pumps

| ITEM # | DESCRIPTION | 115 V. | 230 V. | QTY. |
|--------|----------------------------|----------------|--------|-------|
| 02 | PUMP ASSEMBLY | SEE PAGE 5-9 | | 1.00 |
| 03 | RESERVOIR BLACK | SEE PAGE 14 | | 1.00 |
| 04 | RESERVOIR GASKET | * | | 1.00 |
| 05 | BREATHER VENT 3/8" NPT | 46348 | 46348 | 1.00 |
| 06 | PIPE PLUG 1/4" W/ COATING | 46510 | 46510 | 1.00 |
| 07 | SAE #12 HEX PLUG WITH PORT | 46118 | 46118 | 1.00 |
| 08 | HHCS 1/4-20 X .75 PLT | 65891 | 65891 | 14.00 |
| 09 | SEALING WASHER | 65892 | 65892 | 14.00 |
| 10 | G3 RESERVOIR DECAL | 46016 | 46016 | 2.00 |
| 11 | LABEL SAFE USE ELEC | 68068 | 68068 | 1.00 |
| 12 | BLANK DECAL 3 X 4 | 87305 | 87305 | 1.00 |
| 13 | MANIFOLD ASM. | SEE PAGE 11 | | 1.00 |
| 14 | VALVE GASKET | 69242 | 69242 | 1.00 |
| 15 | SHCS 3/8-16 X 2 3/4 | 99921 | 99921 | 3.00 |
| 16 | ADAPTER ASSY. | 68963 | 68963 | 1.00 |
| 17 | HEX PIPE PLUG 3/8" COATING | 46513 | 46513 | 1.00 |
| 19 | VALVE ASM. 2P/4W | SEE PAGE 10 | | 1.00 |
| 20 | SHCS 3/8-16 X 3 1/2 | 88363 | 88363 | 4.00 |
| 21 | LOCK WASHER 3/8 | 93943 | 93943 | 4.00 |
| 22 | ROLL PIN 1/8 X 3/8 LG | 561604 | 561604 | 1.00 |
| 24 | MAGNET | 66021 | 66021 | 1.00 |
| 25 | MOTOR SHROUD W/ HANDLE | 45534 | 45534 | 1.00 |
| 26 | HOSE CLAMP | 69235 | 69235 | 1.00 |
| 27 | DECAL OVERLAY | 46539 | 46539 | 1.00 |
| 28 | BRACKET ASM G PET | SEE PAGE 13-14 | | 1.00 |
| 29 | HEAVY HEX JAM NUT 1/4-20 | 69234 | 69234 | 2.00 |

| ITEM # | DESCRIPTION | 115 V. | 230 V. | QTY. |
|--------|-----------------------------|-------------|---------|------|
| 30 | BHCS 10-24 x 3/8 LG | 69236 | 69236 | 4.00 |
| 35 | SIMPLEX DECAL 5.71" x 1.15" | 46355 | 46355 | 2.00 |
| 39 | BRACKET SUPPORT G3 | 46338 | 46338 | 1.00 |
| 42 | HOLE PLUG 1/4" | 46405 | 46405 | 4.00 |
| 43 | SPACER 1.5" LONG | 46010 | 46010 | 2.00 |
| 44 | HHCS 1/4-20 X 2.00 | 40970 | 40970 | 2.00 |
| 45 | WASHER 1/4" SS | 88429 | 88429 | 2.00 |
| 46 | COIL WITH DIN CONNECTOR | 46294 | 46324 | 1.00 |
| 52 | SIGHT GAUGE | 46009 | 46009 | 1.00 |
| 53 | MEMBRANE SWITCH DECAL | ++ | | |
| 54 | DECAL PENDANT INSTRUCT. | ++ | | |
| 55 | SIMPLEX DECAL 5.71" x 1.15" | ++ | | |
| 57 | 1/4 IN NIPPLE | 4100067 | 4100067 | 1.00 |
| 58 | 1/4" NIPPLE | CT210 | CT210 | 1.00 |
| 59 | 1/4" SELF-LOCKING COUPLER | 45765 | 45765 | 1.00 |
| 62 | GAUGE SHROUD ASM | 46474 | 46474 | 1.00 |
| 64 | BHCS 10-24 X .50 | 44559 | 44559 | 4.00 |
| 65 | GAUGE SHROUD MOUNTING PLATE | 46558 | 46558 | 2.00 |
| 68 | VELCRO STRAP 1x14 | 46310 | 46310 | 1.00 |
| 70 | MOTOR GASKET | * | | 1.00 |
| 71 | GASKET POW'R PUMP | * | | 1.00 |
| 73 | COVER PLATE | SEE PAGE 14 | | 1.00 |
| 74 | SHCS #10-24 X 5/8" | 86699 | 86699 | 1.00 |
| 75 | SHCS #10-24 X 1" LG | 41327 | 41327 | 2.00 |
| 76 | G3 MOTOR 1.5HP 115V | 45418 | 45428 | 1.00 |
| 77 | FHCS 10-24 X 0.50LG | 43557 | 43557 | 1.00 |
| 78 | SHCS #10-32 X .875 | 45084 | 45084 | 1.00 |
| 84 | FOAM INSERT | 46352 | 46352 | 1.00 |

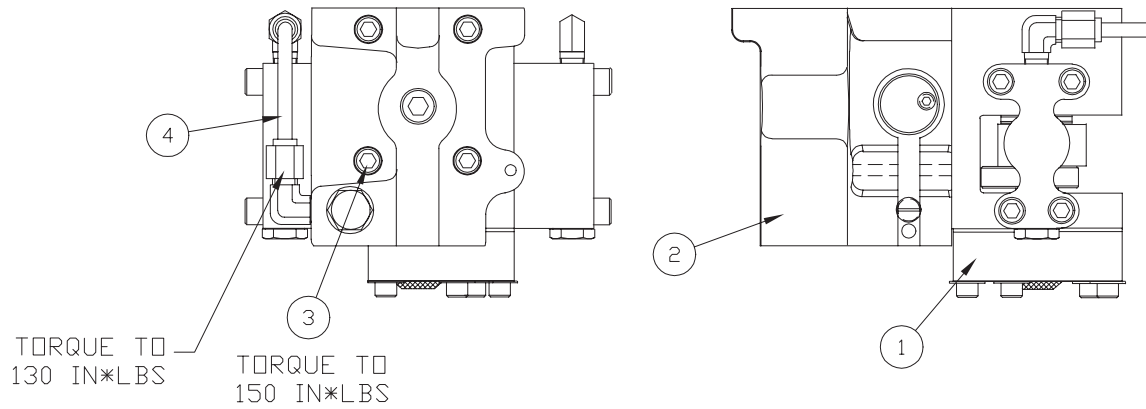
G SERIES PENDANT DECAL KIT (+ + = COMPONENTS) -- PART # 54489

G 3 REBUILD KIT (* = COMPONENTS) -- PART # 54487

G3 Series Electric Power Pump

Pump Assembly

(46541SS) PUMP ASM.

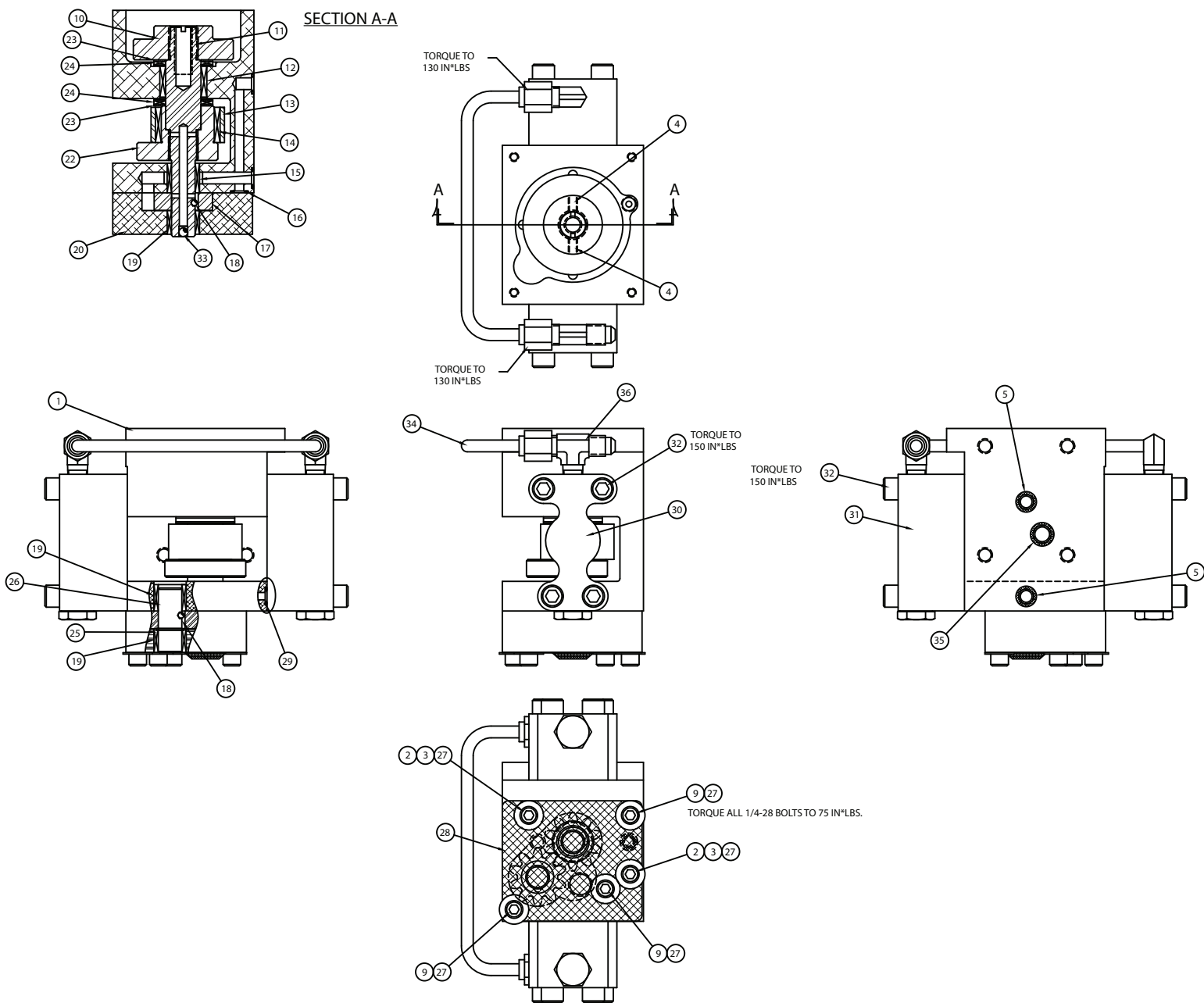


| ITEM # | DESCRIPTION | PART # | QTY. |
|--------|-----------------------------|--------------|------|
| 01 | GEAR SECTION ASSEMBLY | SEE PAGE 6-7 | 1.00 |
| 02 | PUMP VALVE SECTION ASSEMBLY | SEE PAGE 8 | 1.00 |
| 03 | SHCS 5/16-24 X 1" LG | 84188 | 4.00 |
| 04 | PISTON BLOCK TUBE G3 | 45537 | 1.00 |

G3 Series Electric Power Pump

Gear Section Assembly

(45535SS) GEAR SECTION ASM.



G3 Series Electric Power Pump

Gear Section Assembly

(45535SS) GEAR SECTION ASM.

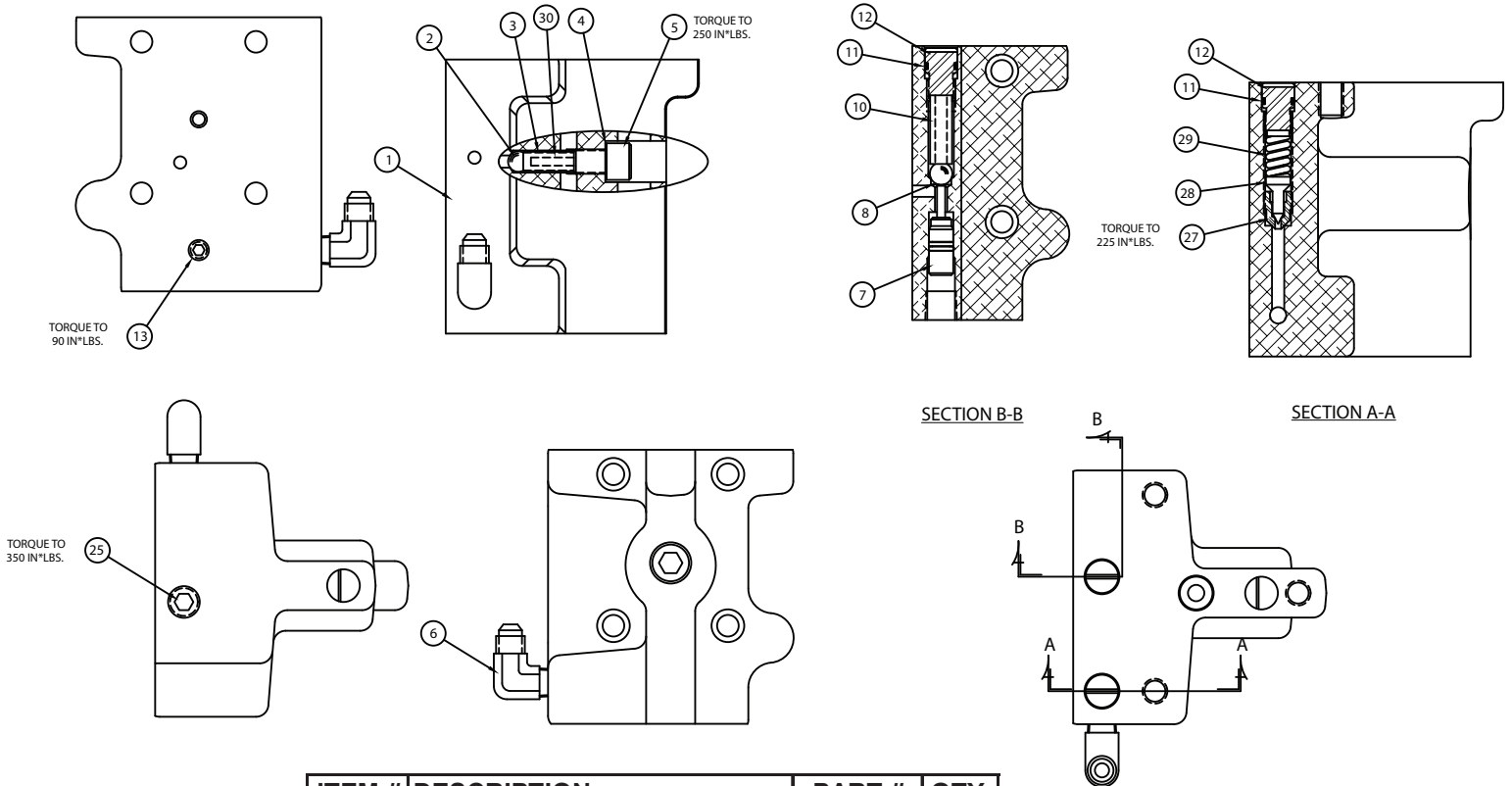
| ITEM # | DESCRIPTION | PART # | QTY. |
|--------|-----------------------------------|-------------|------|
| 01 | G3 PUMP BODY 2 PISTON | 45419 | 1.00 |
| 02 | TUBE-GUIDE .11 | 68894 | 2.00 |
| 03 | SHCS 1/4-28 X 1 1/2 | 89148 | 2.00 |
| 04 | SET SCREW #10-24 X 1/4 CUP | 44596 | 2.00 |
| 05 | O-RING 5/16X7/16 | * | 2.00 |
| 09 | SHCS 1/4-28 X 1.25LG | 40118 | 3.00 |
| 10 | POW'R BUD REDUC GEAR | 43520 | 1.00 |
| 11 | POW'R BUDDY PUMP SHAFT | 43278 | 1.00 |
| 12 | ROLL BRG 3/4ID X 5/8 | 43346 | 1.00 |
| 13 | POW'R BUD ECC RING | 43353 | 1.00 |
| 14 | ROLL BRG 1 1/8 X 3/4 | 43347 | 1.00 |
| 15 | BEARING ROLLER 1/2x11/16x1/2 WIDE | 68891 | 1.00 |
| 16 | O RING 1/4X3/8 | * | 1.00 |
| 17 | GEAR-SET G3 | DS1246228 | 1.00 |
| 18 | BALL 1/8" | 90906 | 2.00 |
| 19 | BEARING ROLLER 1/2x11/16x1/2 WIDE | 69330 | 3.00 |
| 20 | BOTTOM PLATE 3/8" GEARS G3 | 45536 | 1.00 |
| 22 | POW'R BUDDY ECCENCTRIC RING | 43275 | 1.00 |
| 23 | THRUST WASHER 3/4"ID | 43349 | 4.00 |
| 24 | THRUST BRG 3/4" ID | 43348 | 2.00 |
| 25 | POW'R BUDDY IDLER SHAFT | 43276 | 1.00 |
| 26 | RING-RETAINING | 68892 | 1.00 |
| 27 | WASHER 1/4" SS | 88429 | 5.00 |
| 28 | POW'R BUDDY SCREEN | * | 1.00 |
| 29 | O-RING 3/16X5/16 | * | 2.00 |
| 30 | PISTON BLOCK ASSEMBLY #1 G3 | SEE PAGE 10 | 1.00 |
| 31 | PISTON BLOCK ASSEMBLY G3 | SEE PAGE 10 | 1.00 |
| 32 | SHCS 5/16-24 X 1.75 | 69392 | 8.00 |
| 33 | BALL 3/16" | 90548 | 1.00 |
| 34 | G3 PISTON BLOCK TUBE | 45420 | 1.00 |
| 35 | O-RING 3/8X1/2 | * | 1.00 |
| 36 | MALE TEE | 45426 | 1.00 |

G 3 REBUILD KIT (* = COMPONENTS) -- PART # 54487

G3 Series Electric Power Pump

Pump Valve Section Assembly

(46025SS) PUMP VALVE SECT ASM.



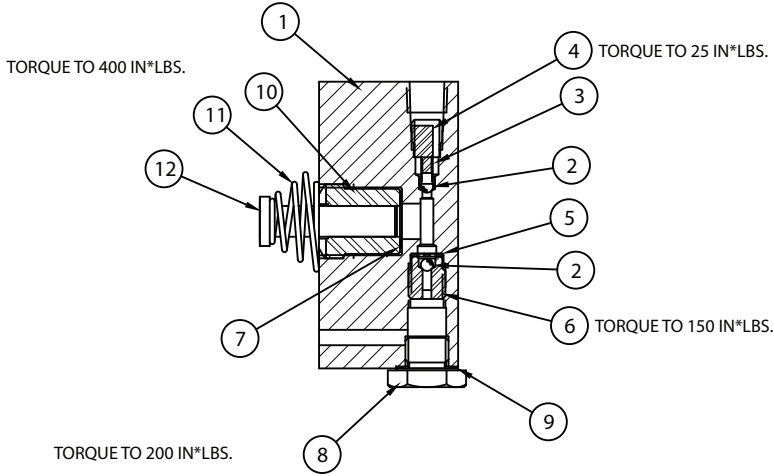
| ITEM # | DESCRIPTION | PART # | QTY. |
|--------|-----------------------|---------|------|
| 01 | PB VALVE BODY SECT. | 46593 | 1.00 |
| 02 | BALL 5/16" | 91701 | 1.00 |
| 03 | SPRING | 68825 | 1.00 |
| 04 | GASKET 25/64X19/32 | * | 1.00 |
| 05 | SCREW, BALL STOP | 68226 | 1.00 |
| 06 | MALE ELBOW 1/8 PIPE | 69354 | 1.00 |
| 07 | UNLOADING PISTON ASM | PAGE 13 | 1.00 |
| 08 | BALL 11/32" | 94219 | 1.00 |
| 10 | SPRING UNLOADING VLV | 68981 | 1.00 |
| 11 | O-RING 3/8X1/2 | * | 2.00 |
| 12 | ADJUSTING SCREW | 43274 | 2.00 |
| 13 | 1/16 SOC PIPE PLUG | 46514 | 2.00 |
| 25 | 1/4 SOC PIPE PLUG | 46510 | 1.00 |
| 27 | SEAT - EXT RELIEF | ++ | 1.00 |
| 28 | CONE - EXT RELIEF | ++ | 1.00 |
| 29 | SPRING - RELIEF VALVE | ++ | 1.00 |
| 30 | ROLL PIN 1/8X15/16 | 81332 | 1.00 |

G 3 REBUILD KIT (* = COMPONENTS) -- PART # 54487
 RELIEF REPLACEMENT KIT (++ = COMPONENTS) -- PART #55057

G3 Series Electric Power Pump

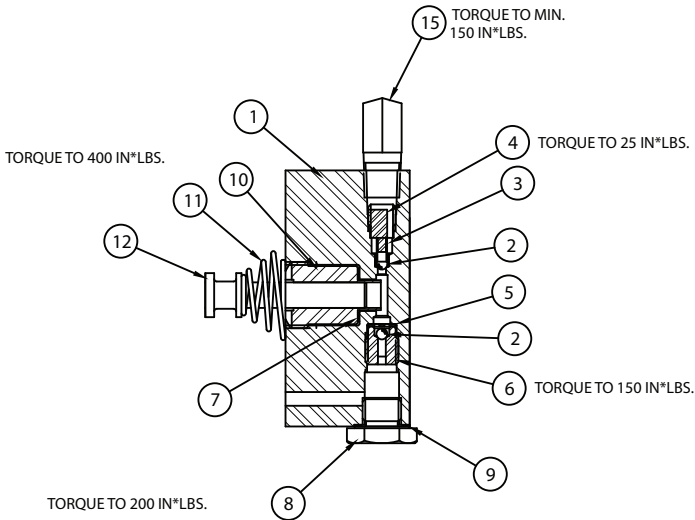
Sub Component Assemblies

(45533SS) PISTON BLK ASM.



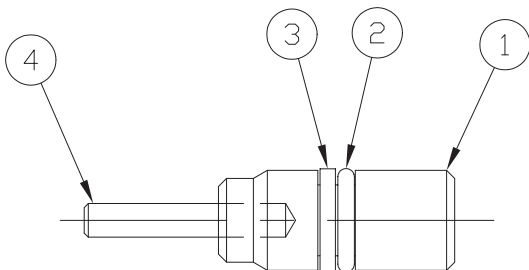
| ITEM # | DESCRIPTION | PART # | QTY. |
|--------|---------------------|--------|------|
| 01 | GEN II PISTON BLOCK | 45539 | 1.00 |
| 02 | BALL 1/8" | 90906 | 2.00 |
| 03 | SPRING | 66042 | 1.00 |
| 04 | BALL STOP | 68810 | 1.00 |
| 05 | BALL RETAINER | 66043 | 1.00 |
| 06 | INTAKE SEAT | 66046 | 1.00 |
| 07 | GASKET 29/64 X 5/8 | * | 1.00 |
| 08 | PLUG PISTON BLOCK | 68825 | 1.00 |
| 09 | GASKET 25/64X19/32 | * | 1.00 |
| 10 | ADAPTER-.290 PISTON | 68820 | 1.00 |
| 11 | SPRING, PISTON | 68340 | 1.00 |
| 12 | PISTON-.290 DIA | 68819 | 1.00 |

(45538SS) PISTON BLK ASM.



| ITEM # | DESCRIPTION | PART # | QTY. |
|--------|---------------------|--------|------|
| 01 | PISTON BLOCK | 45539 | 1.00 |
| 02 | BALL 1/8" | 90906 | 2.00 |
| 03 | SPRING | 66042 | 1.00 |
| 04 | BALL STOP | 68810 | 1.00 |
| 05 | BALL RETAINER | 66043 | 1.00 |
| 06 | INTAKE SEAT | 66046 | 1.00 |
| 07 | GASKET 29/64 X 5/8 | * | 1.00 |
| 08 | PLUG PISTON BLOCK | 68825 | 1.00 |
| 09 | GASKET 25/64X19/32 | * | 1.00 |
| 10 | ADAPTER-.290 PISTON | 68820 | 1.00 |
| 11 | SPRING, PISTON | 68340 | 1.00 |
| 12 | PISTON 0.290" DIA. | 45425 | 1.00 |
| 13 | MALE ELBOW 1/8 PIPE | 69354 | 1.00 |

(43687SS) UNLOADING PISTON ASM.



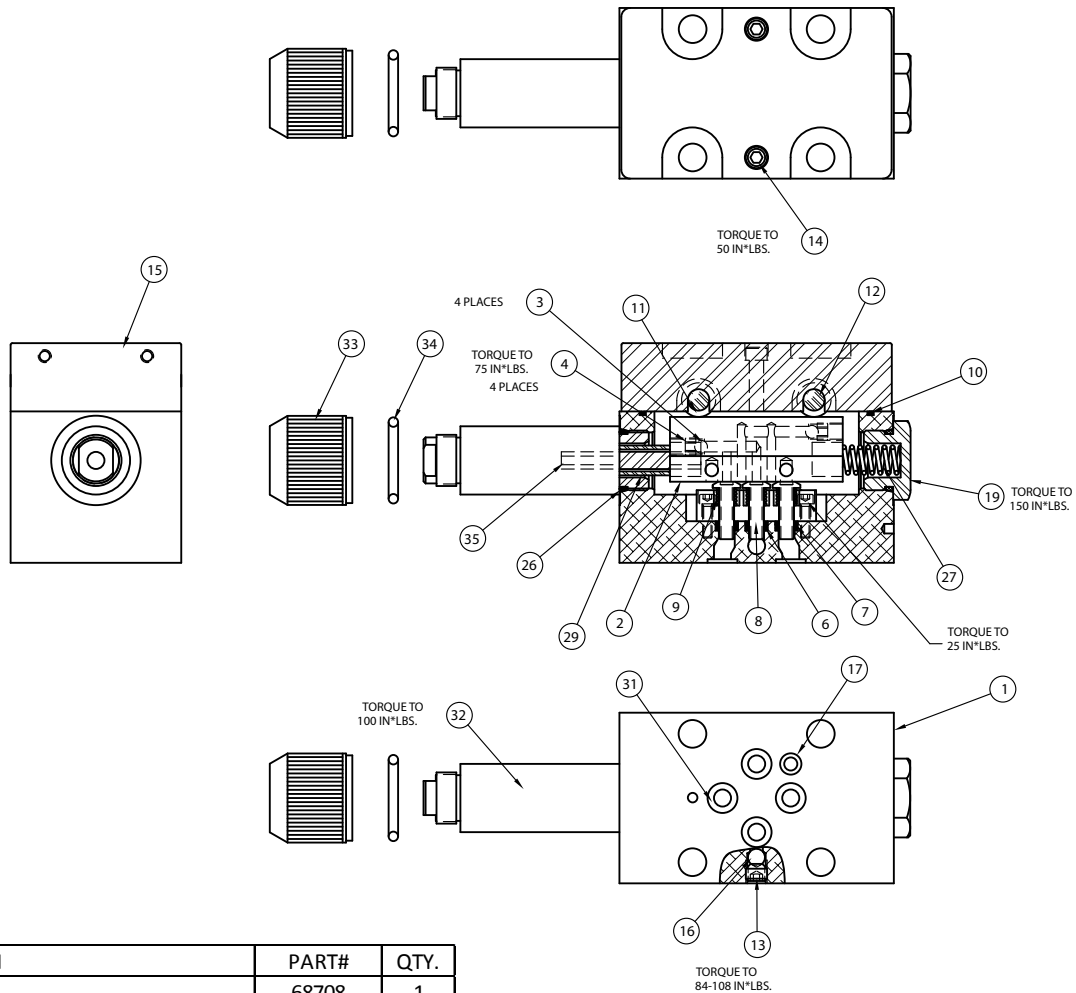
| ITEM # | DESCRIPTION | PART # | QTY. |
|--------|----------------------|--------|------|
| 01 | UNLOAD PISTON | 68209 | 1.00 |
| 02 | O RING 1/4X3/8 | * | 1.00 |
| 03 | BACK-UP WASHER | 68145 | 1.00 |
| 04 | DOWEL PIN 1/8X3/4 LG | 43686 | 1.00 |

G 3 REBUILD KIT (* = COMPONENTS) -- PART # 54487

G3 Series Electric Power Pump

Valve Sub Assemblies

(46291SS) SOLENOID VALVE 115V. / 230V.



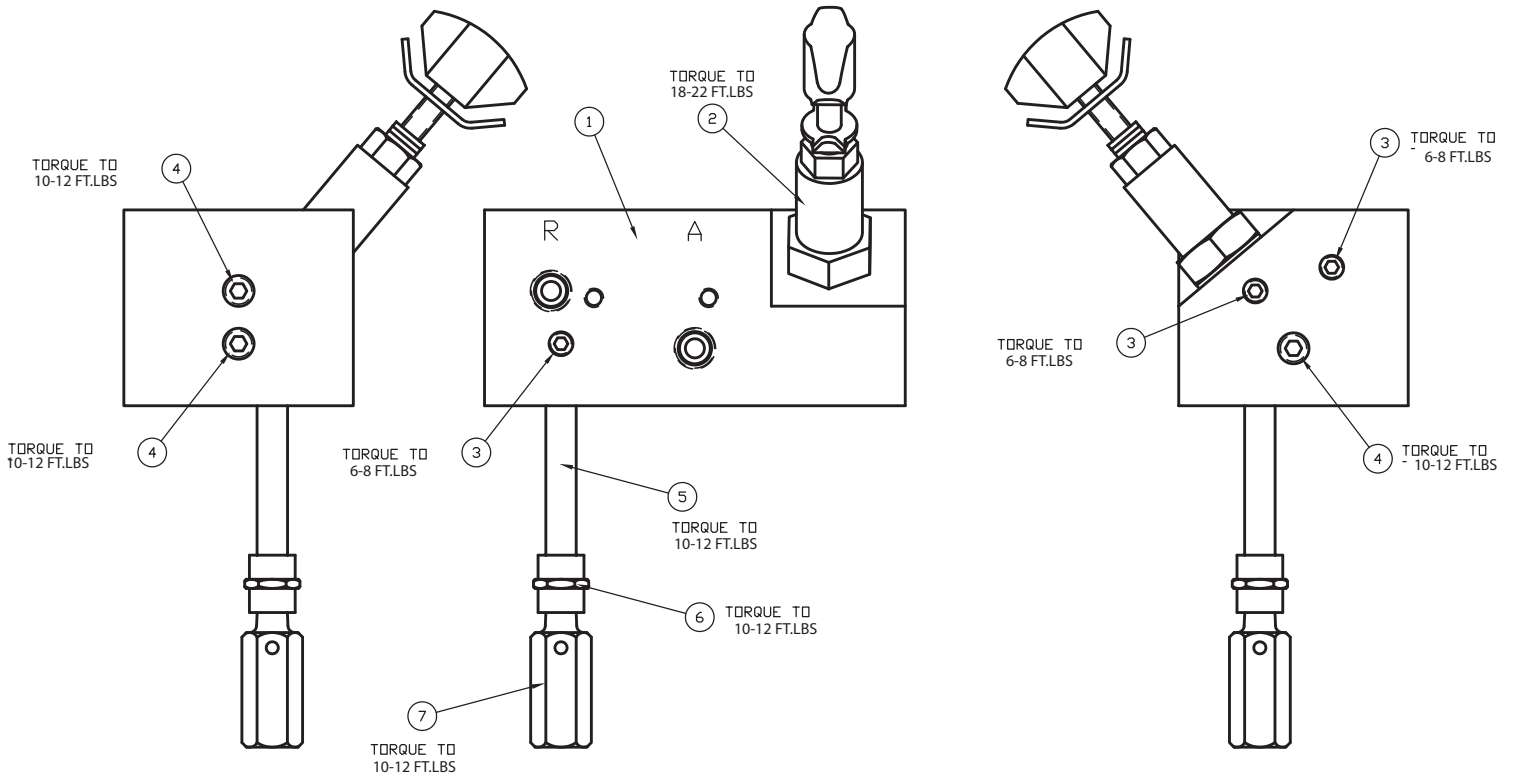
| ITEM# | DESCRIPTION | PART# | QTY. |
|-------|-----------------------------------|---------|------|
| 1 | BODY-VALVE | 68708 | 1 |
| 2 | SLIDER TANDEM CENTER | 68709 | 1 |
| 3 | 3/16" DIA. BALL REF WM581649 | 90548 | 4 |
| 4 | SET SCREW 1/4-28 X 1/4 CUP | 40254 | 4 |
| 6 | O RING REF M792041 | * | 3 |
| 7 | BACK UP WASHER | * | 3 |
| 8 | SHEAR SEAL | 68383 | 3 |
| 9 | SPRING | 68384 | 3 |
| 10 | O-RING 2 5/8 X 2 3/4 | 5602038 | 1 |
| 11 | BEARING ROLLER 5/16x1/2x5/16 WIDE | 68385 | 4 |
| 12 | PIN BEARING | 68390 | 2 |
| 13 | SET SCREW 5/16-18 X 1/4 CUP | 94418 | 1 |
| 14 | SHCS #10-32 X 1" LG PLATED | 68264 | 2 |
| 15 | VALVE TOP PLATE MACHINED | 46272 | 1 |
| 16 | 1/4" DIA. BALL | 92549 | 1 |
| 17 | O-RING (.19x.31x.06)BUNA | * | 1 |
| 19 | VALVE PLUG 2 POSITION SLIDER | 46271 | 1 |
| 26 | O RING | * | 2 |
| 27 | SPRING | 68711 | 1 |
| 31 | O-RING 5/16X7/16 URE | * | 4 |
| + 32 | PUSHER-SOLENOID | 68729SS | 1 |
| 33 | RETAINER | ++ | 1 |
| 34 | O-RING | ++ | 1 |
| 35 | PUSHER PIN | ++ | 1 |

| | | | |
|----|--|---------|--|
| * | PACKING KIT 4 WAY SOLENOID VALVE | 54491 | |
| + | PUSHER SOLENOID CONTAINS SPOOL ASSEMBLY, RETAINER, O-RING & PUSHER PIN | | |
| ++ | PUSHER REPAIR KIT | 68729RK | |
| | CONTAINS 1 EACH OF RETAINER, O-RING & PUSHER PIN | | |

G3 Series Electric Power Pump

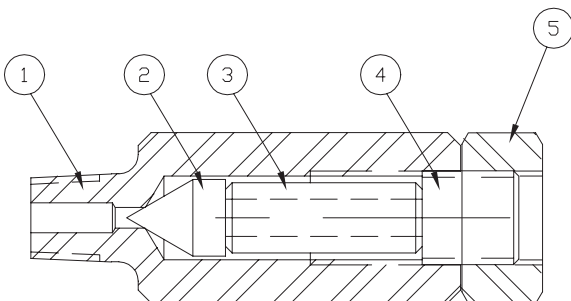
Manifold Assembly

(46292SS) MANIFOLD ASM.



| ITEM # | DESCRIPTION | PART # | QTY. |
|--------|------------------------|---------|------|
| 01 | VALVE MANIFOLD | 46270 | 1.00 |
| 02 | CARTRIDGE RELIEF VALVE | 45423 | 1.00 |
| 03 | 1/16 PIPE PLUG-FLUSH | 40049 | 3.00 |
| 04 | PIPE PLUG 1/8" FLUSH | 81093 | 3.00 |
| 05 | PIPE NIPPLE 1/8 NPT | 68917 | 1.00 |
| 06 | PIPE COUPLING 1/8 | 68918 | 1.00 |
| 07 | INT.RELIEF ASM HF | 68999SS | 1.00 |

(68999SS) INT. RELIEF ASM.

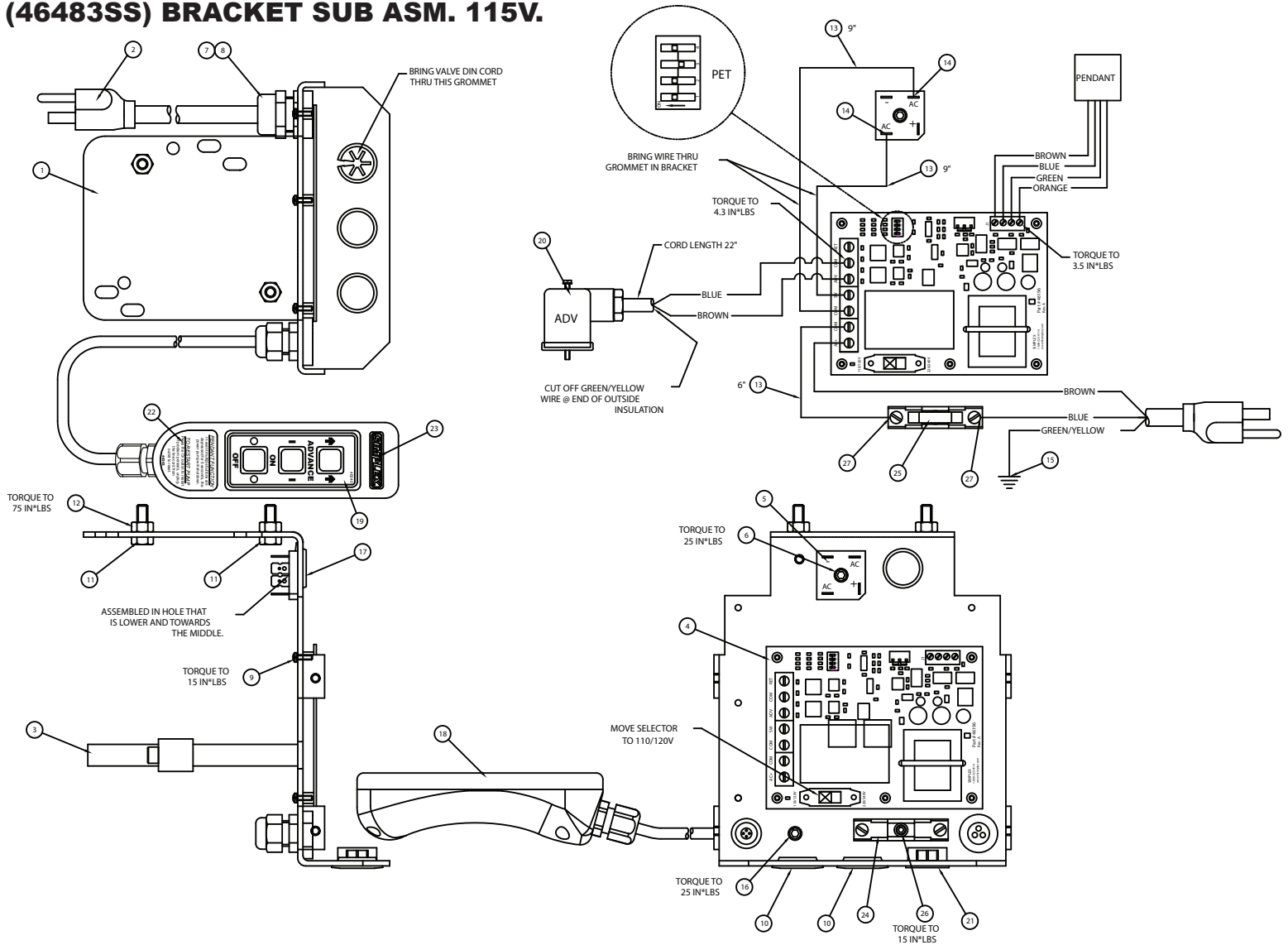


| ITEM # | DESCRIPTION | PART # | QTY. |
|--------|------------------------------|--------|------|
| 01 | CARTRIDGE | 66096 | 1.00 |
| 02 | CONE REL VLVE | 66086 | 1.00 |
| 03 | POPPET RELIEF SPRING | 44641 | 1.00 |
| 04 | RELIEF VALVE ADJUSTING SCREW | 66083 | 1.00 |
| 05 | HEX NUT 7/16-20 | 68920 | 1.00 |

G3 Series Electric Power Pump

Bracket Sub Assemblies

(46483SS) BRACKET SUB ASM. 115V.



| ITEM # | DESCRIPTION | PART # | QTY. |
|--------|----------------------------|--------|------|
| 01 | MOUNTING BRACKET | 46233 | 1.00 |
| 02 | PLUG AND CORD ASSY | 68595 | 1.00 |
| 04 | CIRCUIT BOARD BASIC | 46196 | 1.00 |
| 05 | BRIDGE RECTIFIER 25A | 68623 | 1.00 |
| 06 | SHCS #10-32 X 1/2 | 66805 | 1.00 |
| 07 | FITTING, CORD L-TIGHT | 68375 | 1.00 |
| 08 | LOCKNUT 1/2 INCH | 85510 | 1.00 |
| 09 | MACHINE SCREW W/ LOCK WASH | 46248 | 5.00 |
| 10 | HOLE PLUG 7/8" | 69652 | 2.00 |
| 11 | HHCS 1/4-20 X .75 PLT | 65891 | 2.00 |
| 12 | HEX NUT 1/4-20 PLATD | 93849 | 2.00 |
| 13 | WIRE #14 BLACK | 68261B | 2.00 |
| 14 | QUICK DISCON. FLAG BLUE | 44491 | 2.00 |

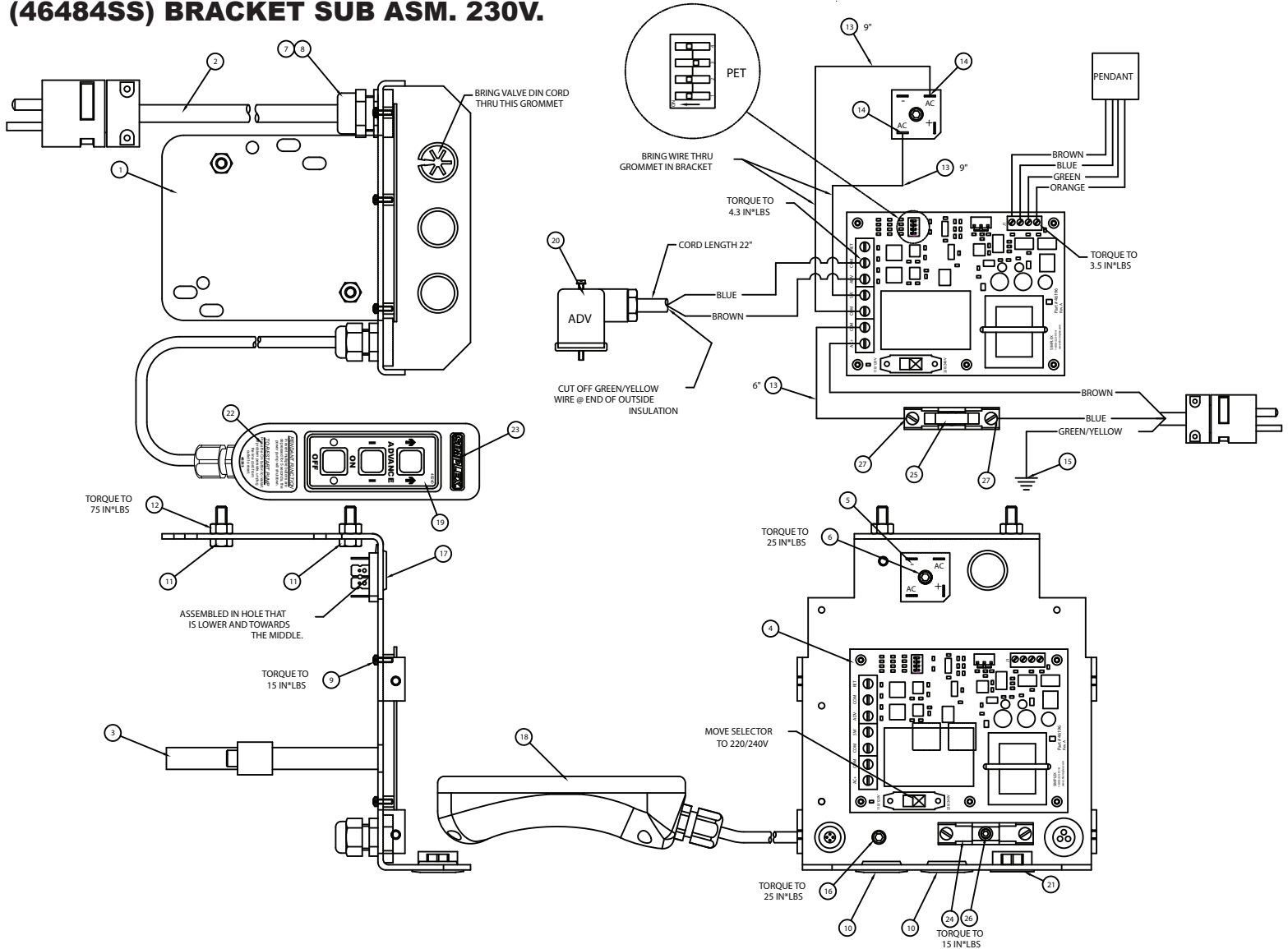
| ITEM # | DESCRIPTION | PART # | QTY. |
|--------|------------------------------|--------|------|
| 15 | RING TERMINAL 1/4" | 69917 | 1.00 |
| 16 | SHCS #10-32X1/4" LG PLATED | 45175 | 1.00 |
| 17 | GROMMET 7/8" HOLE | 69855 | 1.00 |
| 18 | PENDANT ASSEMBLY BASIC | 46220 | 1.00 |
| 19 | MEMBRANE SWITCH LABEL PET | * | 1.00 |
| 20 | MOLDED DIN CONNECTOR W/ CORD | 46327 | 1.00 |
| 21 | PUSH THRU BUSHING | 46420 | 1.00 |
| 22 | DECAL PENDANT INSTRUCTION | * | 1.00 |
| 23 | SIMPLEX DECAL 1.25" x 0.25" | * | 1.00 |
| 24 | FUSE HOLDER 30 AMP | 46481 | 1.00 |
| 25 | FUSE 25 AMP | 46482 | 1.00 |
| 26 | SHCS #6-32 x 1/4 LONG | 46506 | 1.00 |
| 27 | SPADE TERMINAL | 68116 | 2.00 |

G SERIES PENDANT DECAL KIT (* = COMPONENTS) -- PART # 54489

G3 Series Electric Power Pump

Bracket Sub Assemblies

(46484SS) BRACKET SUB ASM. 230V.



| ITEM # | DESCRIPTION | PART # | QTY. |
|--------|-------------------------------------|-----------|------|
| 01 | MOUNTING BRACKET | 46233 | 1.00 |
| 02 | Cord Assembly 230V US/CAN Lg 6FT | DD4773052 | 1.00 |
| 04 | CIRCUIT BOARD BASIC | 46196 | 1.00 |
| 05 | BRIDGE RECTIFIER 25A | 68623 | 1.00 |
| 06 | SHCS #10-32 X 1/2 | 66805 | 1.00 |
| 07 | FITTING, CORD L-TIGHT | 68375 | 1.00 |
| 08 | LOCKNUT 1/2 INCH | 85510 | 1.00 |
| 09 | MACHINE SCREW W/ LOCK WAS | 46248 | 5.00 |
| 10 | HOLE PLUG 7/8" | 69652 | 2.00 |
| 11 | HHCS 1/4-20 X .75 PLT | 65891 | 2.00 |
| 12 | HEX NUT 1/4-20 PLATD | 93849 | 2.00 |
| 13 | WIRE #14 BLACK | 68261B | 2.00 |
| 14 | QUICK DISCON. FLAG BLUE | 44491 | 2.00 |

| ITEM # | DESCRIPTION | PART # | QTY. |
|--------|------------------------------|--------|------|
| 15 | RING TERMINAL 1/4" | 69917 | 1.00 |
| 16 | SHCS #10-32X1/4" LG PLATED | 45175 | 1.00 |
| 17 | GROMMET 7/8" HOLE | 69855 | 1.00 |
| 18 | PENDANT ASSEMBLY BASIC | 46220 | 1.00 |
| 19 | MEMBRANE SWITCH LABEL PET | * | 1.00 |
| 20 | MOLDED DIN CONNECTOR W/ CORD | 46327 | 1.00 |
| 21 | PUSH THRU BUSHING | 46420 | 1.00 |
| 22 | DECAL PENDANT INSTRUCTION | * | 1.00 |
| 23 | SIMPLEX DECAL 1.25" x 0.25" | * | 1.00 |
| 24 | FUSE HOLDER 30 AMP | 46481 | 1.00 |
| 25 | FUSE 25 AMP | 46482 | 1.00 |
| 26 | SHCS #6-32 x 1/4 LONG | 46506 | 1.00 |
| 27 | SPADE TERMINAL | 68116 | 2.00 |

G SERIES PENDANT DECAL KIT (* = COMPONENTS) -- PART # 54489

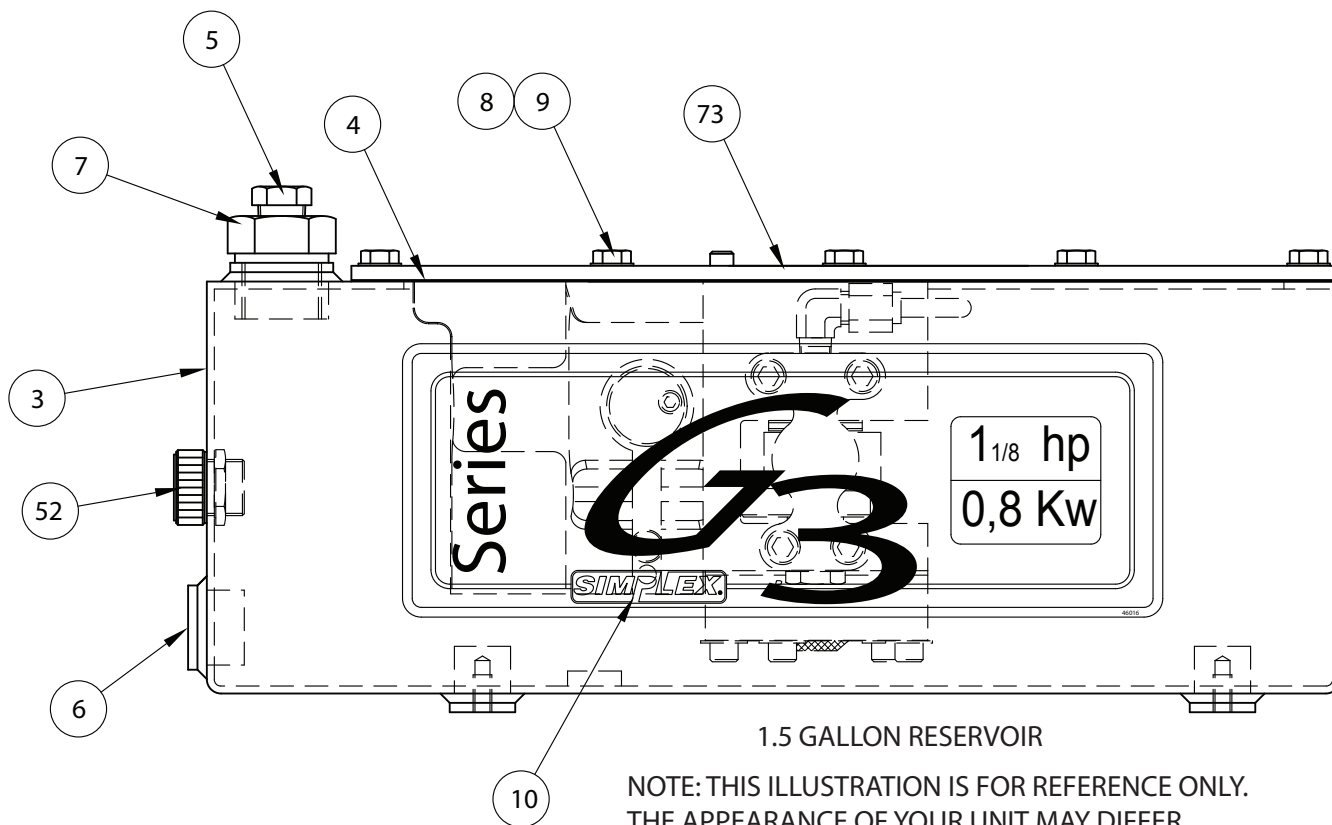
G3 Series Electric Power Pump

Reservoirs

(46109P) 1.0 GALLON RESERVIOR

(45996P) 1.5 GALLON RESERVIOR

(46213P) 2.5 GALLON RESERVIOR



| ITEM # | DESCRIPTION | 1.0 GALLON | QTY. | 1.5 GALLON | 2.5 GALLON | QTY. |
|--------|-----------------------------|------------|------|------------|------------|-------|
| 03 | RESERVOIR | 46109P | 1.00 | 45996P | 46213P | 1.00 |
| 04 | RESERVOIR GASKET | 46476 | 1.00 | 85469 | 85469 | 1.00 |
| 05 | BREATHER VENT 3/8" NPT | 68000 | 1.00 | 46348 | 46348 | 1.00 |
| 06 | 1/2 SOC PIPE PLUG | 46697 | 1.00 | 46697 | 46697 | 1.00 |
| 07 | SAE #12 HEX PLUG WITH PORT | N/A | 0.00 | 46118 | 46118 | 1.00 |
| 08 | HHCS 1/4-20 x 3/4 LG PLATED | 65891 | 9.00 | 65891 | 65891 | 14.00 |
| 09 | SEALING WASHER | 65892 | 9.00 | 65892 | 65892 | 14.00 |
| 10 | G3 RESERVOIR DECAL | 46016 | 1.00 | 46016 | 46016 | 1.00 |
| 52 | SIGHT GAUGE | 46009 | 1.00 | 46009 | 46009 | 1.00 |
| 73 | COVER PLATE | 46350 | 1.00 | 45928 | 45928 | 1.00 |