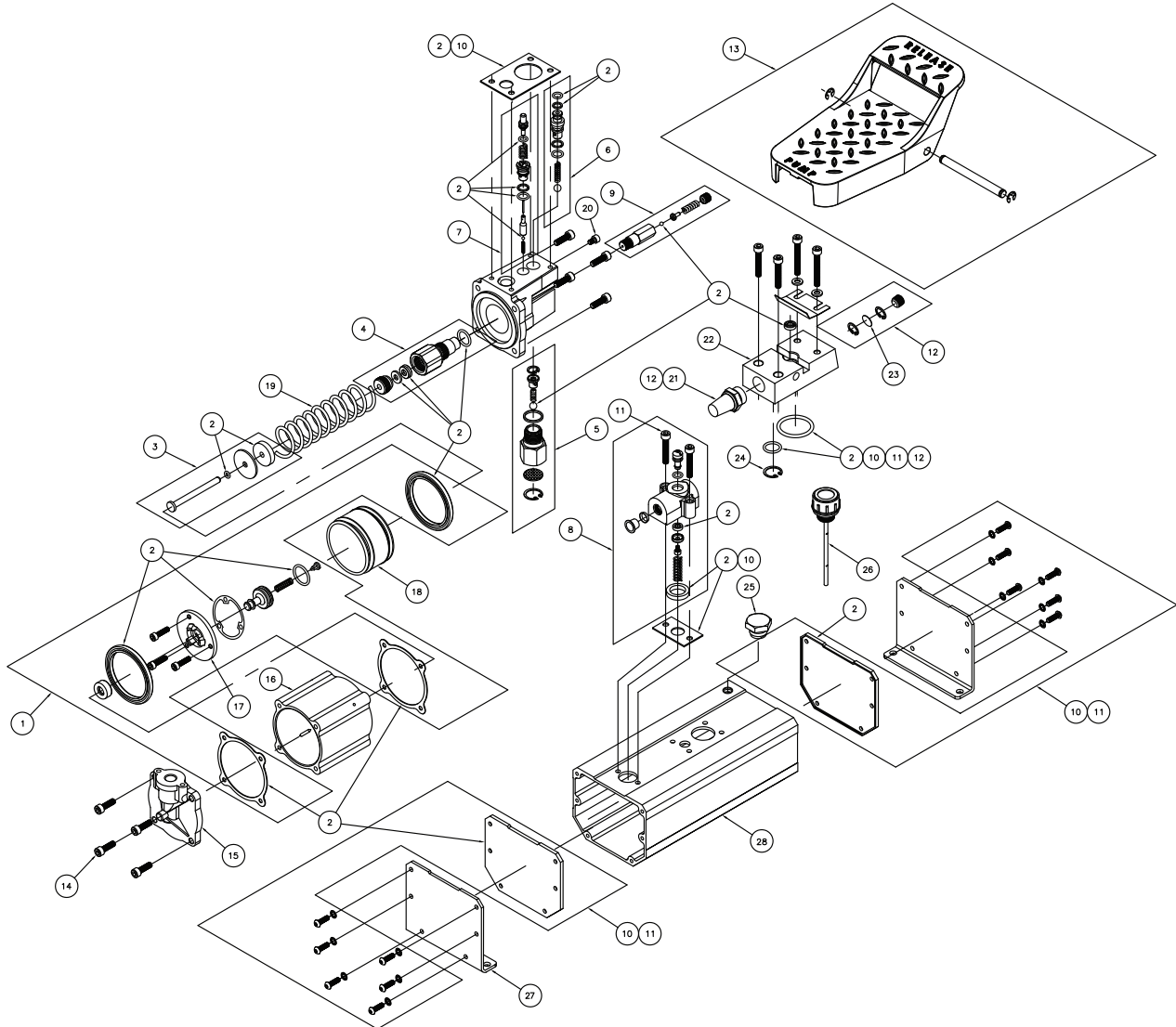




www.tksimplex.com

Technical Repair Parts Sheet Model #GA9 Series Compact Air Power Pumps

Part Sheet Number	Revision Number	Date Code Range	Document Date
TD089	C	XXXX	0816



ITEM	DESCRIPTION	KIT/PART NO.
1	AIR PISTON KIT NO.54656	54656
2	REPAIR KIT NO.54657	54657
3	PISTON CYLINDER KIT NO.54658	54658
4	PUMP CYLINDER SUB ASSY NO.54659	54659
5	LOWER OIL INLENT VALVE KIT NO. 54660	54660
6	UPPER OIL INLET VALVE KIT NO. 54661	54661
7	RELEASE VALVE KIT NO. 54662	54662
8	AIR INLET VALVE KIT NO.54663	54663
9	HP RELIEF KIT NO. 54664	54664
10	GASKET KIT NO. 54665	54665
11	DETENT KIT NO. 54666	54666
12	MANIFOLD KIT NO. 54667	54667
13	FOOT PEDAL KIT NO.54668	54668
14	BOLT TOP CAP	DS1674242
15	TOP CAP	DS1675020
16	CYLINDER TUBE HOUSING	DS1676030
17	AIR PISTON A	DS1677051

ITEM	DESCRIPTION	KIT/PART NO.
18	AIR PISTON B	DS1678051
19	PISTON EXTENSION SPRING	DS1679710
20	BOLT HYDRAULIC BASE	DS1681242
21	AIR FILTER	DS1682118
22	OIL OUTLET VALVE SEAT	DS1683290
23	FILTER	DS1684118
24	C-RING	DS1685049
25	OIL INLET CAP BOLT	DS1689242
26	AIR VENTILATION CAP BOLT	DS1690242
27	OIL COVER 230/460 CU.IN.	DS1500098
27	OIL COVER (90 CU.IN.)	DS1691098
28	OIL CONTAINER (90 CU.IN.)	DS1692525
28	OIL CONTAINER (230 CU.IN.)	DS1693525
28	OIL CONTAINER (460 CU.IN.)	DS1694525
N/S	RUBBER FEET	DS1695054

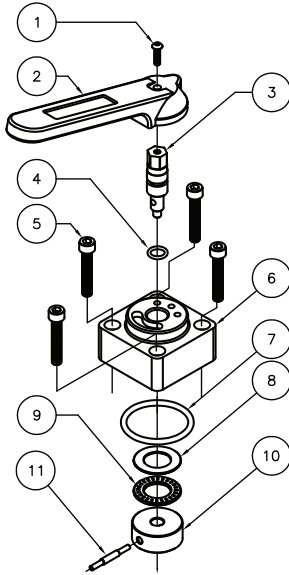
To Maintain Your Warranty
Have your products inspected and repaired by an Authorized Simplex Service Center
Visit www.tksimplex.com to locate the nearest one.



www.tksimplex.com

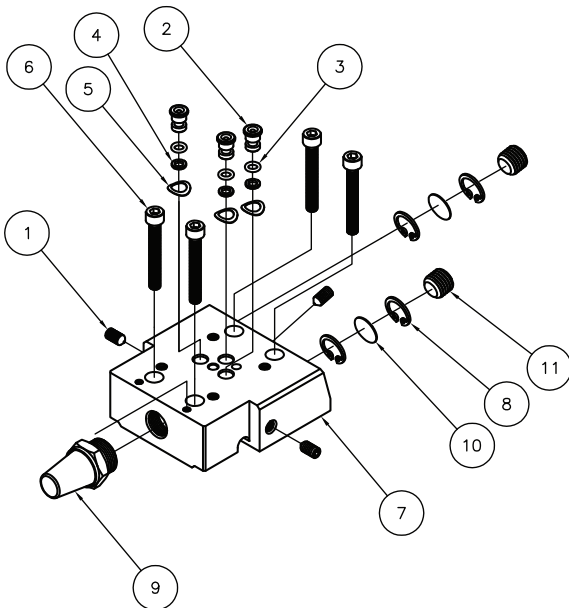
Technical Repair Parts Sheet Model #GA9 Series Compact Air Power Pumps

DOUBLE ACTING



ITEM	DESCRIPTION	QTY.
1	BOLT	1
2	VALVE CONTROL HANDLE	1
3	SWITCH WASHER	1
4	O-RING	1
5	BOLT	4
6	SWITCH COVER	1
7	O-RING	1
8	WASHER	1
9	BEARING WASHER	1
10	SWITCH VALVE	1
11	FIXED AXLE	1

PART #54671 DOUBLE ACTING
MANUAL VALVE KIT
GA9230D / GA9460D



ITEM	DESCRIPTION	QTY.
1	BOLT	3
2	FLOW VALVE	3
3	O-RING	3
4	WASHER	3
5	WAVE WASHER	3
6	BOLT	4
7	OIL OUTLET VALVE SEAT	1
8	C-RING	2
9	AIR FILTER	1
10	FILTER	1
11	BOLT	2

PART #54670 DOUBLE ACTING
OIL OUTLET VALVE KIT PLATE
GA9230D / GA9460D

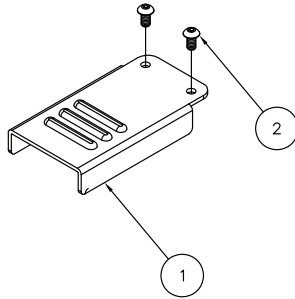
! To Maintain Your Warranty
Have your products inspected and repaired by an Authorized Simplex Service Center
Visit www.tksimplex.com to locate the nearest one. **!**



www.tksimplex.com

Technical Repair Parts Sheet Model #GA9 Series Compact Air Power Pumps

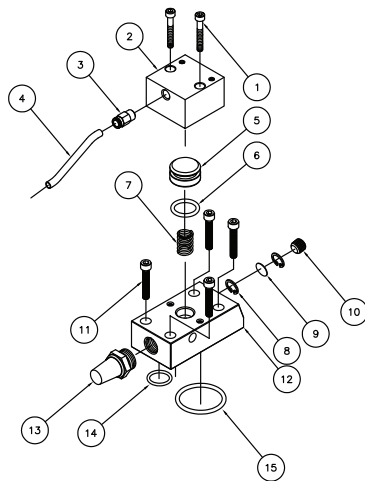
PART #54669 REMOTE VALVE KICK PLATE
GA90R / GA9230R



REMOTE

ITEM	DESCRIPTION	QTY.
1	VALVE PLATE	1
2	BOLT	2

PART #54674 REMOTE OIL OUTLET PISTON KIT
GA90R / GA9230R



ITEM	DESCRIPTION	QTY.
1	BOLT	2
2	AIR PISTON COVER	1
3	AIR COUPLER	2
4	AIR HOSE	1
5	AIR PISTON	1
6	O-RING	1
7	SPRING	1
8	C-RING	2
9	FILTER	1
10	BOLT	1
11	BOLT	4
12	OIL OUTLET VALVE SEAT	1
13	AIR FILTER	1
14	O-RING	1
15	O-RING	1

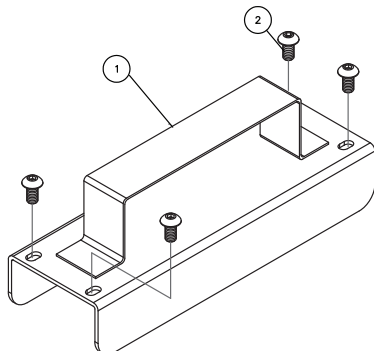
NOTE:

REPLACEMENT CONTROL PENDANT HOSE PART #41965

REPLACEMENT PENDANT CONTROL PART #41950



PART #54674 REMOTE HANDLE COVER KIT
GA90R / GA9230R



ITEM	DESCRIPTION	QTY
1	HANDLECOVER	1
2	BOLT	4

To Maintain Your Warranty
Have your products inspected and repaired by an Authorized Simplex Service Center
Visit www.tksimplex.com to locate the nearest one.



www.tksimplex.com

Simplex • N86 W12500 Westbrook Crossing • Menomonee Falls, WI 53051
Phone (USA): 1-800-323-9114 • Phone (INSIDE / OUTSIDE USA): 1-262-293-1575 • Fax: 1-262-597-1127